



US00D894160S

(12) **United States Design Patent** (10) **Patent No.:** **US D894,160 S**
Andrevski et al. (45) **Date of Patent:** **** Aug. 25, 2020**

(54) **EAR PLUG**
(71) Applicant: **Ear Labs AB**, Malmö (SE)
(72) Inventors: **Aleksandar Andrevski**, Malmö (SE);
Christian Dittrich, Löderup (SE);
Kasimir Hellström, Lund (SE); **Casper**
Asmussen, Malmö (SE)
(73) Assignee: **Ear Labs AB**, Malmö (SE)
(**) Term: **15 Years**

D272,946 S 3/1984 Scanlon
D621,389 S * 8/2010 Nagayama D14/223
D657,499 S 4/2012 Parkins et al.
D718,744 S * 12/2014 Thompson D14/223
D760,887 S 7/2016 Dittrich et al.
D773,032 S 11/2016 Palmborg et al.
D788,906 S 6/2017 Dittrich et al.
D800,097 S * 10/2017 Chen D14/223
D806,879 S * 1/2018 Horbinski D24/174
D807,496 S 1/2018 Dittrich et al.
D817,309 S * 5/2018 Czaniecki D14/223
(Continued)

(21) Appl. No.: **35/507,518**

FOREIGN PATENT DOCUMENTS

(22) Filed: **Apr. 4, 2019**

EP 003744309-0001 2/2017

(80) **Hague Agreement Data**

Int. Filing Date: **Apr. 4, 2019**
Int. Reg. No.: **DM/203273**
Int. Reg. Date: **Apr. 4, 2019**
Int. Reg. Pub. Date: **Oct. 18, 2019**

OTHER PUBLICATIONS

dBud—Earplugs with two volume settings https://www.youtube.com/watch?time_continue=2&v=2YfkMwncao4&feature=emb_logo 19 Jan. 2018 (Year: 2018).*

(30) **Foreign Application Priority Data**

Oct. 19, 2018 (EM) 005803285-0001

Primary Examiner — Samantha Q Lawrence
(74) *Attorney, Agent, or Firm* — Larson & Larson, P.A.;
Frank Liebenow; Justin P. Miller

(51) **LOC (12) Cl.** **14-01**

(52) **U.S. Cl.**
USPC **D14/223**

(57) **CLAIM**

The ornamental design for an ear plug, as shown and described.

(58) **Field of Classification Search**

USPC D14/205, 206, 223, 224, 225, 226, 249;
D24/106, 173, 174, 175
CPC .. H04R 2225/025; H04R 25/00; H04R 25/02;
H04R 25/60; H04R 25/67; H04R 25/602;
H04R 25/604; H04R 25/608; H04R
1/1016; H04R 1/105; A61F 11/08; A61F
11/10; A61F 2011/085

DESCRIPTION

1. Ear plug
Figure 1.1 is a perspective view of an ear plug;
Figure 1.2 is a front view thereof;
Figure 1.3 is a left side view thereof;
Figure 1.4 is a right side view thereof;
Figure 1.5 is a back view thereof;
Figure 1.6 is a top view thereof; and
Figure 1.7 is a bottom view thereof.
The broken lines shown in Figures 1.1, 1.2, 1.4, and 1.5 illustrate portions of the ear plug that form no part of the claimed design.

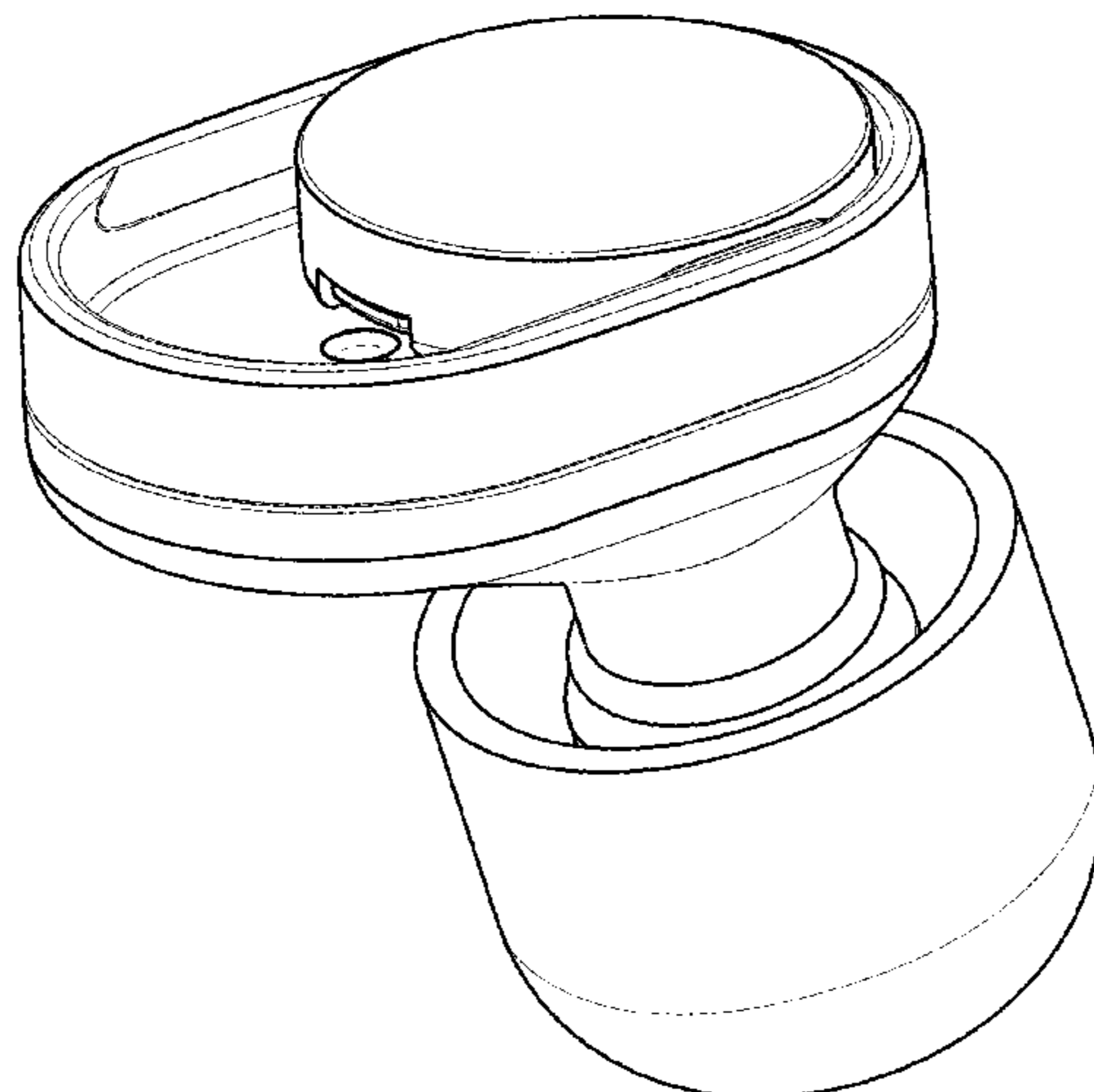
See application file for complete search history.

(56) **References Cited**

U.S. PATENT DOCUMENTS

D241,881 S 10/1976 Peterson et al.
D259,279 S 5/1981 Takeda

1 Claim, 7 Drawing Sheets



(56)

References Cited

U.S. PATENT DOCUMENTS

D835,259	S	12/2018	Heikkila	
D858,489	S *	9/2019	Hu	D14/223
D863,263	S *	10/2019	Yu	D14/223
D864,165	S *	10/2019	Roberts	D14/223
D883,261	S *	5/2020	Zhang	D14/223
2009/0304220	A1 *	12/2009	Fujikura	H04R 1/1091 381/380

* cited by examiner

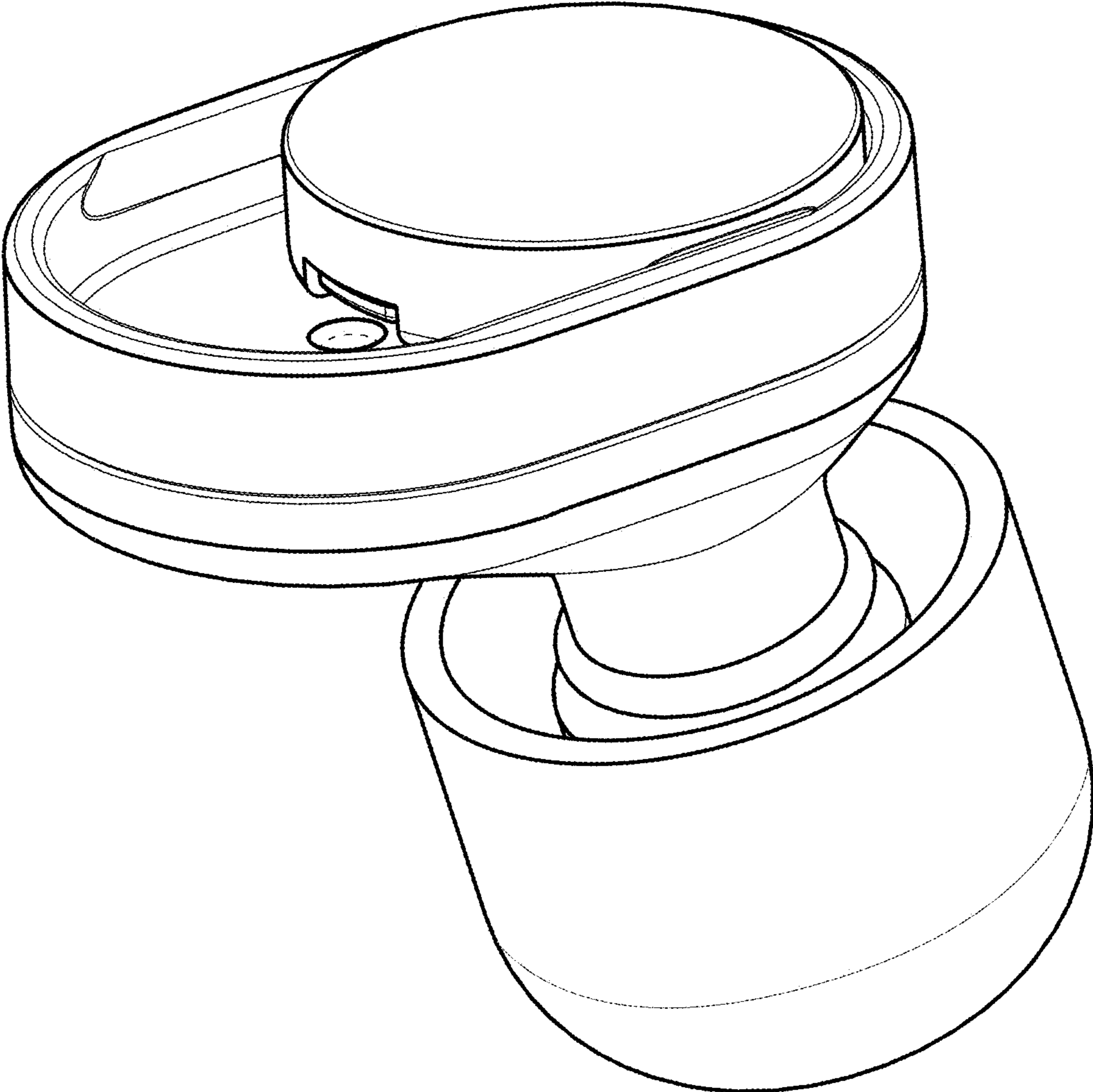


Figure 1.1

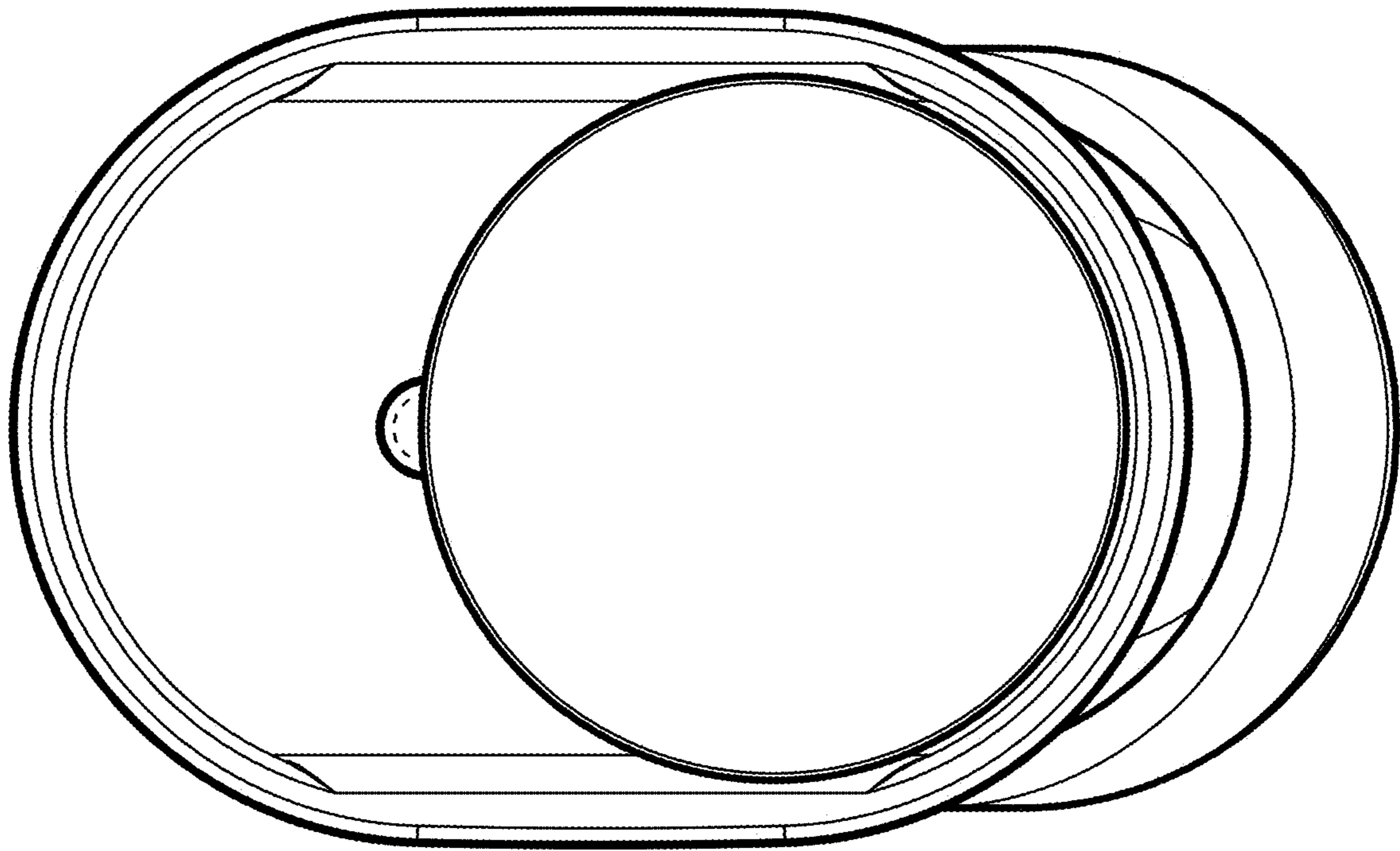


Figure 1.2

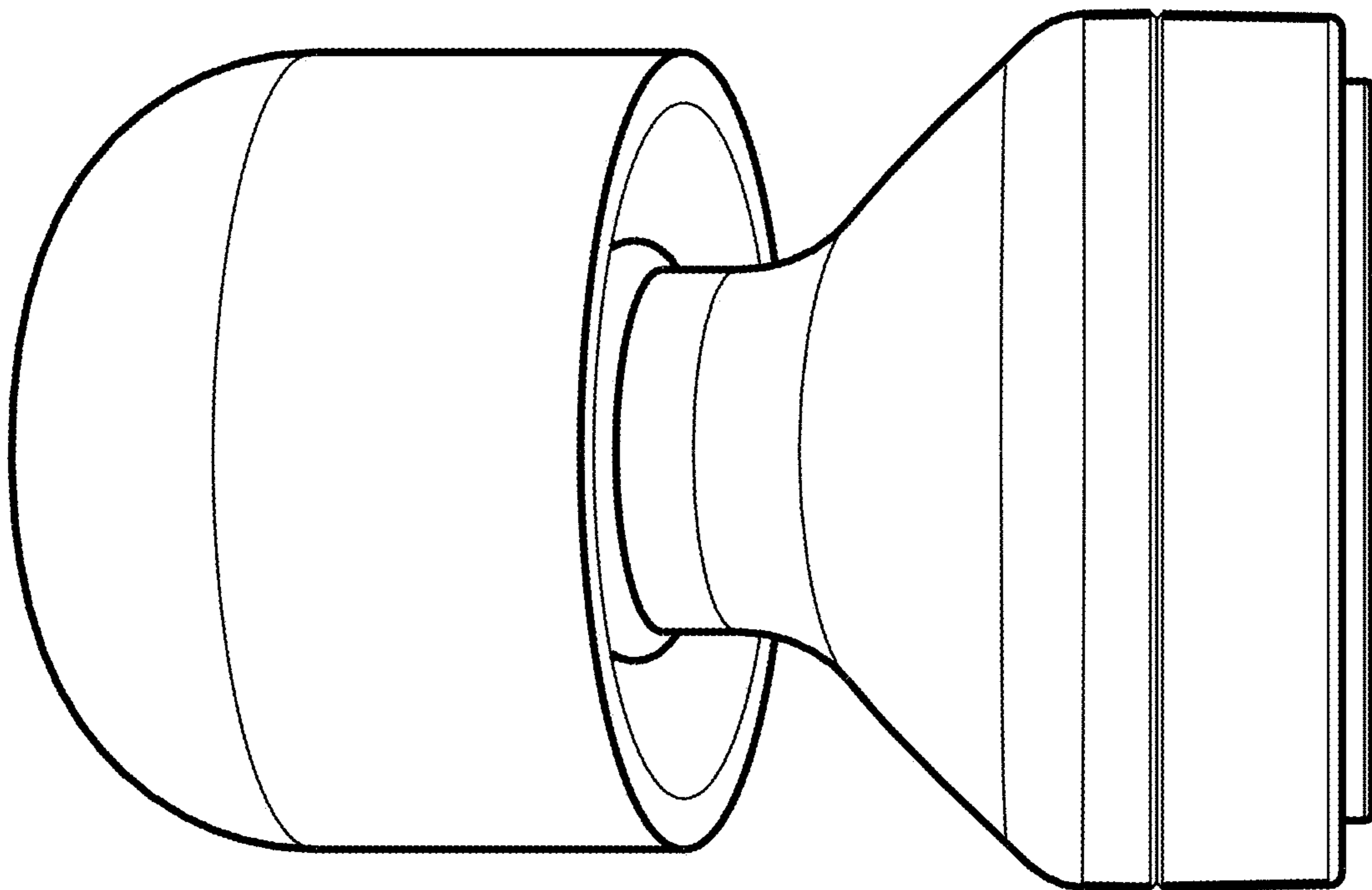


Figure 1.3

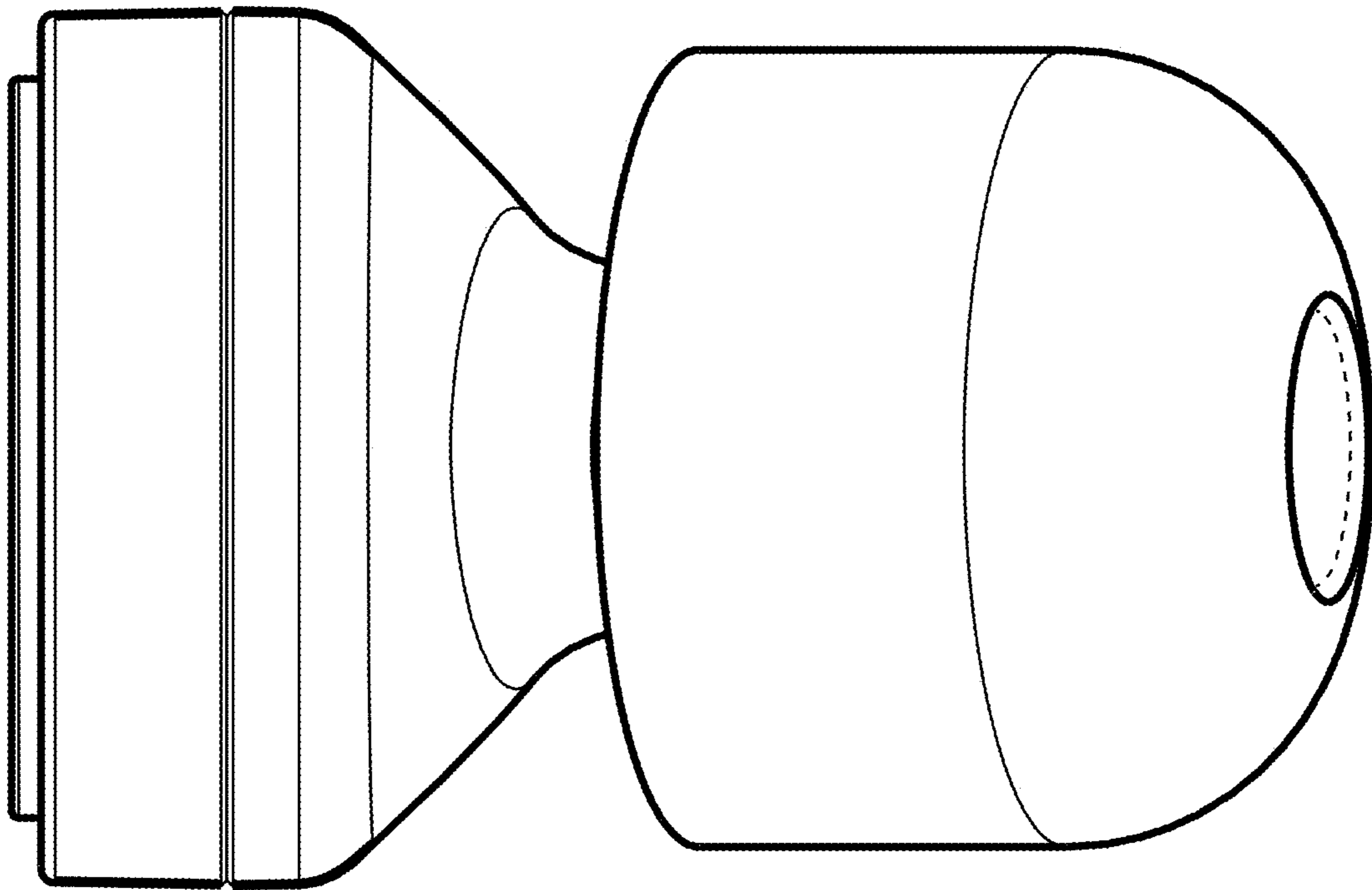


Figure 1.4

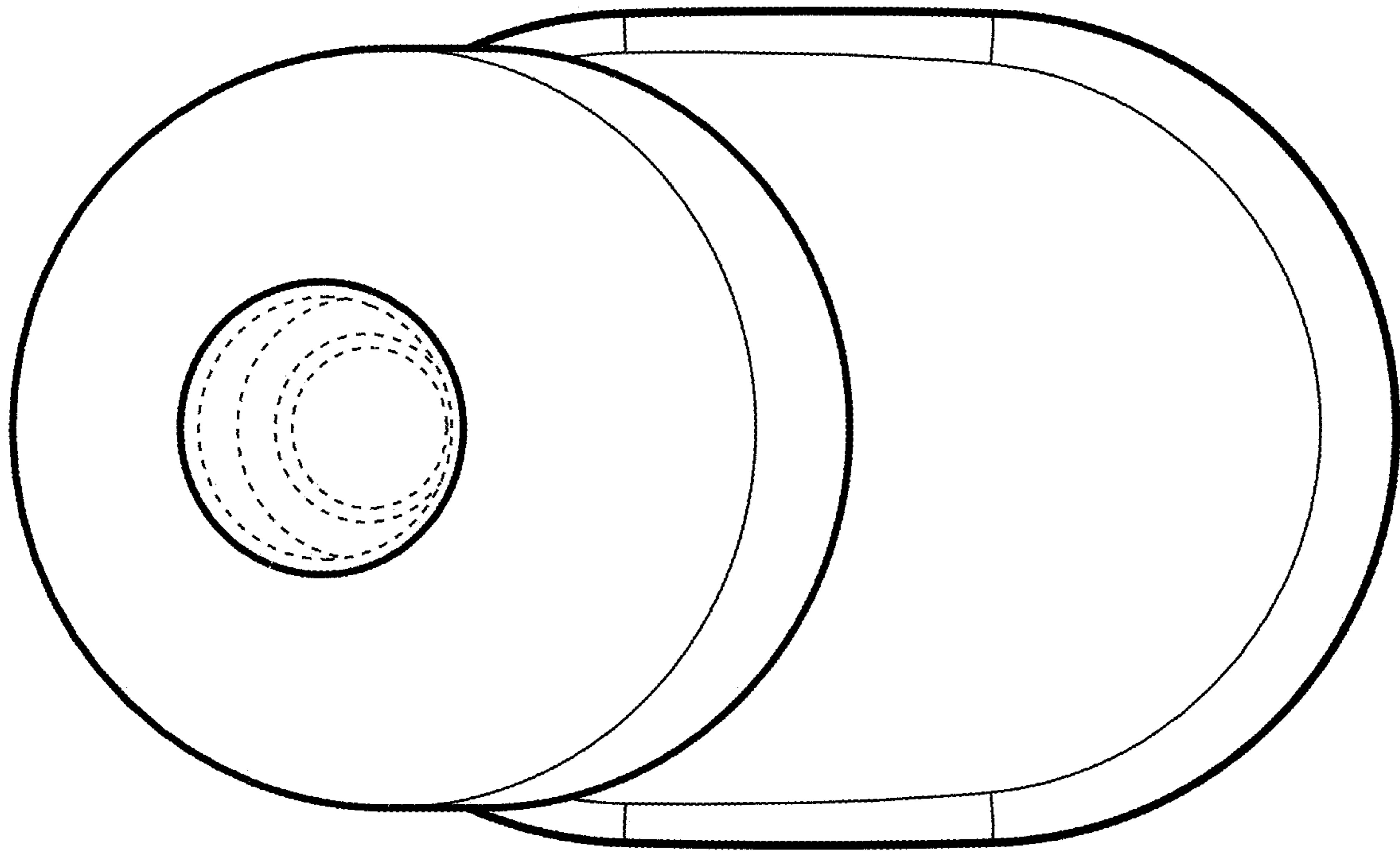


Figure 1.5

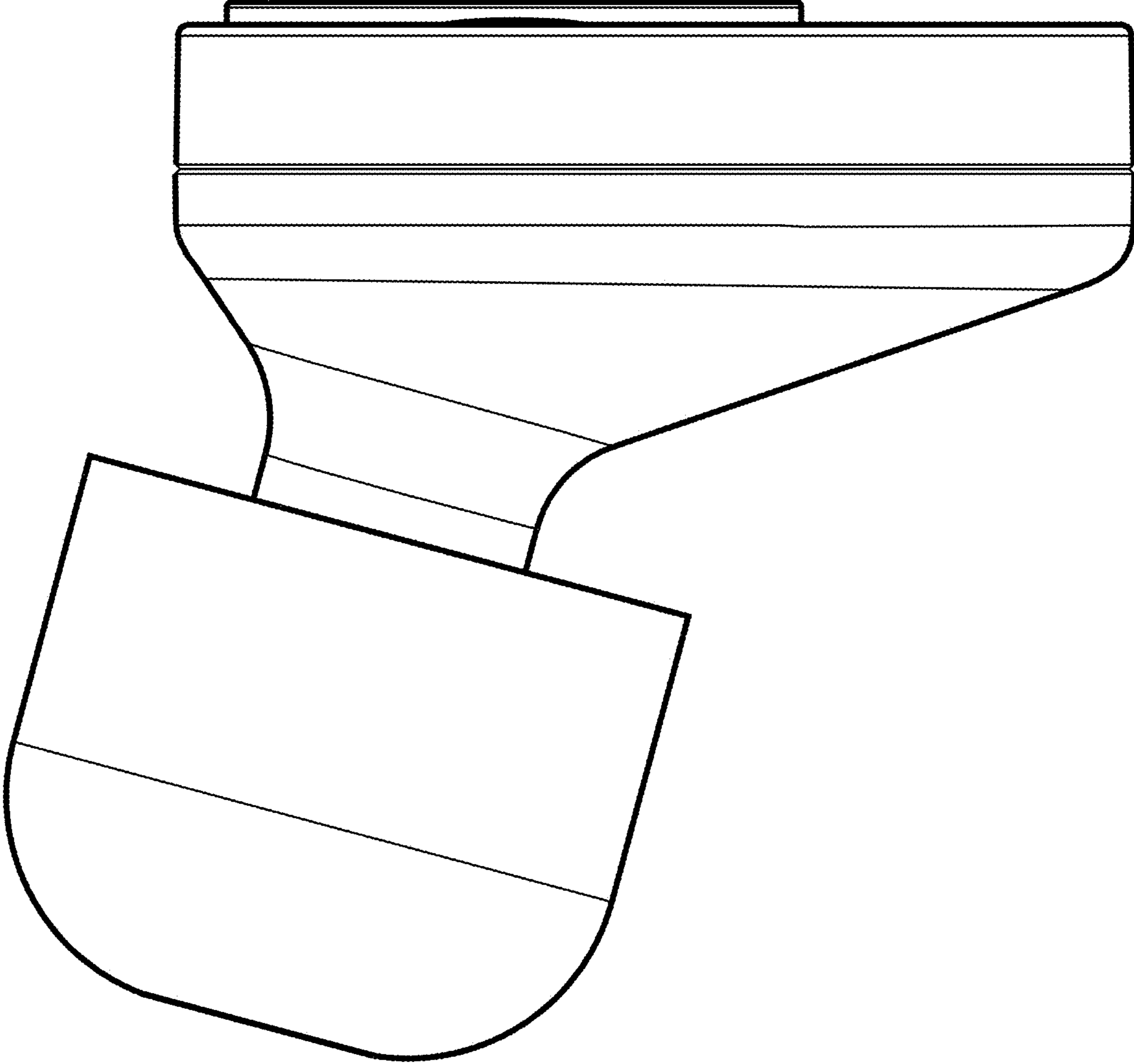


Figure 1.6

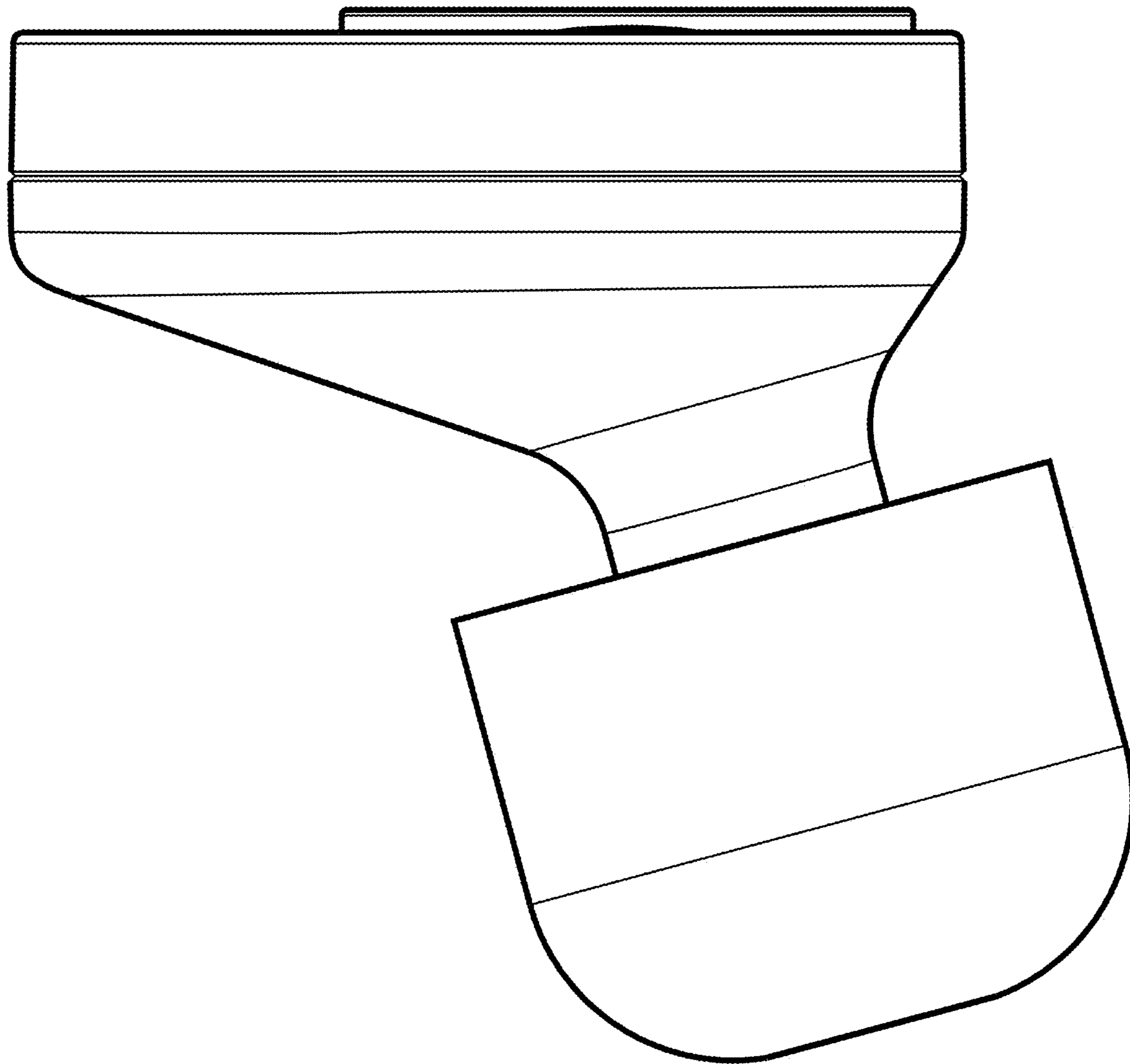


Figure 1.7