



US00D894159S

(12) **United States Design Patent** (10) **Patent No.:** **US D894,159 S**
Jacobs et al. (45) **Date of Patent:** **** Aug. 25, 2020**

(54) **EARPHONE**

OTHER PUBLICATIONS

(71) Applicant: **Shure Acquisition Holdings, Inc.**,
Niles, IL (US)
(72) Inventors: **Paul Mark Jacobs**, Evanston, IL (US);
John Matthew Miller, Grayslake, IL
(US); **Dustin Jonathan Smith**,
Chicago, IL (US)
(73) Assignee: **Shure Acquisition Holdings, Inc.**,
Niles, IL (US)

Catalog for "2009 Product Catalog", Shure Incorporated, p. 41,
publication date unknown but prior to the filing date of the present
application (1page).

(Continued)

Primary Examiner — Katie Jane Stofko
(74) *Attorney, Agent, or Firm* — Banner & Witcoff, Ltd.

(**) Term: **15 Years**

(57) **CLAIM**

(21) Appl. No.: **29/687,046**

The ornamental design for an earphone, as shown and
described.

(22) Filed: **Apr. 10, 2019**

(51) **LOC (12) Cl.** **14-01**

DESCRIPTION

(52) **U.S. Cl.**

USPC **D14/223**; D14/205

(58) **Field of Classification Search**

USPC D14/223, 205, 206; D24/174; 128/864,
128/865, 866; 181/129, 130, 135;
379/430, 431; 381/380, 381, 322-324,
381/330; 455/90.3, 575, 1, 569.1

CPC H04R 1/10; H04R 25/00; H04R 1/1016;
H04R 1/1066; H04R 5/033; H04R
5/0335; H04R 1/1091; H04R 1/1058;
H04R 1/105; H04R 1/1083

See application file for complete search history.

FIG. 1 is a top, front, right perspective view of a right-side
earphone showing my new design;
FIG. 2 is a front view thereof;
FIG. 3 is a rear view thereof;
FIG. 4 is a left side view thereof;
FIG. 5 is a right side view thereof;
FIG. 6 is a top view thereof;
FIG. 7 is a bottom view thereof;
FIG. 8 is a top, front, left perspective view of a left-side
earphone showing an alternate embodiment of my new
design;
FIG. 9 is a front view thereof;
FIG. 10 is a rear view thereof;
FIG. 11 is a left side view thereof;
FIG. 12 is a right side view thereof;
FIG. 13 is a top view thereof; and,
FIG. 14 is a bottom view thereof.

The broken lines immediately adjacent to the shaded area
define the bounds of the claimed design and form no part
thereof. The broken lines depicting the remainder of the
earphone show features that form no part of the claimed
design.

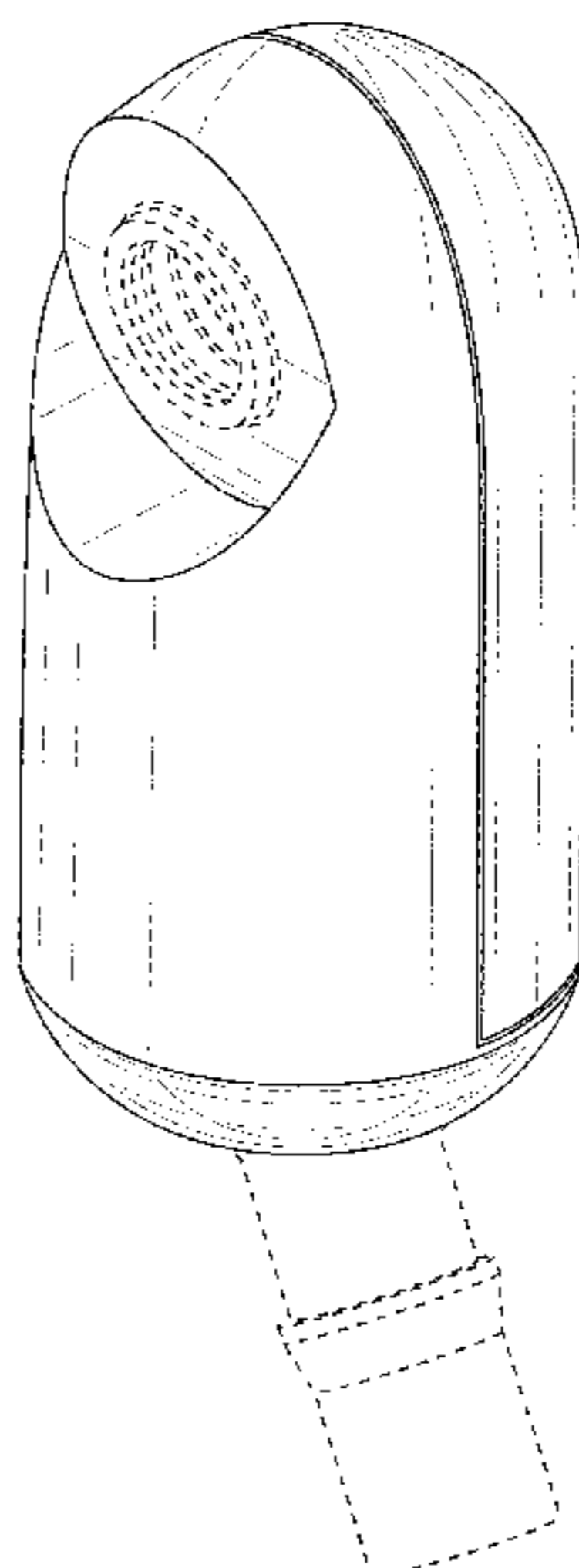
(56) **References Cited**

U.S. PATENT DOCUMENTS

D488,460 S 4/2004 Alwicker et al.
D494,956 S 8/2004 Sabick et al.
D519,103 S 4/2006 Sabick et al.
D532,770 S 11/2006 Engstrom et al.
D557,253 S 12/2007 Engstrom et al.
D557,254 S 12/2007 Engstrom et al.
D563,945 S 3/2008 Johns et al.
D565,022 S 3/2008 Belliveau et al.
D584,398 S * 1/2009 Benner D24/106

(Continued)

1 Claim, 14 Drawing Sheets



(56)

References Cited

U.S. PATENT DOCUMENTS

7,616,772	B2	11/2009	Sabick et al.	
D616,874	S *	6/2010	Matsuoka	D14/223
D627,766	S *	11/2010	Arimoto	D14/223
D639,280	S *	6/2011	Hayes	D14/223
D676,427	S *	2/2013	Yang	D14/223
D678,252	S *	3/2013	Cantoni	D14/223
D751,053	S *	3/2016	Shin	D14/205
D786,217	S *	5/2017	Stoch	D14/205
D786,221	S *	5/2017	Stoch	D14/223
D794,614	S *	8/2017	Xu	D14/223
D804,455	S *	12/2017	Hsieh	D14/223
D853,350	S *	7/2019	Linden	D14/205
2013/0056295	A1 *	3/2013	Campbell	H04R 25/652 181/135

OTHER PUBLICATIONS

Catalog for “2009 Product Catalog”, Shure Incorporated, p. 66, publication date unknown but prior to the filing date of the present application (1page).

Catalog for “2009 Product Catalog”, Shure Incorporated, p. 67, publication date unknown but prior to the filing date of the present application (1page).

Catalog for “2010 Product Catalog”, Shure Incorporated, p. 55, publication date unknown but prior to the filing date of the present application (1page).

Catalog for “2010 Product Catalog”, Shure Incorporated, p. 58, publication date unknown but prior to the filing date of the present application (1page).

Catalog for “2011 Product Catalog”, Shure Incorporated, p. 51, publication date unknown but prior to the filing date of the present application (1page).

Catalog for “2014 Product Catalog”, Shure Incorporated, p. 80 , publication date unknown but prior to the filing date of the present application (1page).

Catalog for “2014 Product Catalog”, Shure Incorporated, p. 81, publication date unknown but prior to the filing date of the present application (1page).

Catalog for “2017 Product Catalog”, Shure Incorporated, p. 84, publication date unknown but prior to the filing date of the present application (1page).

* cited by examiner

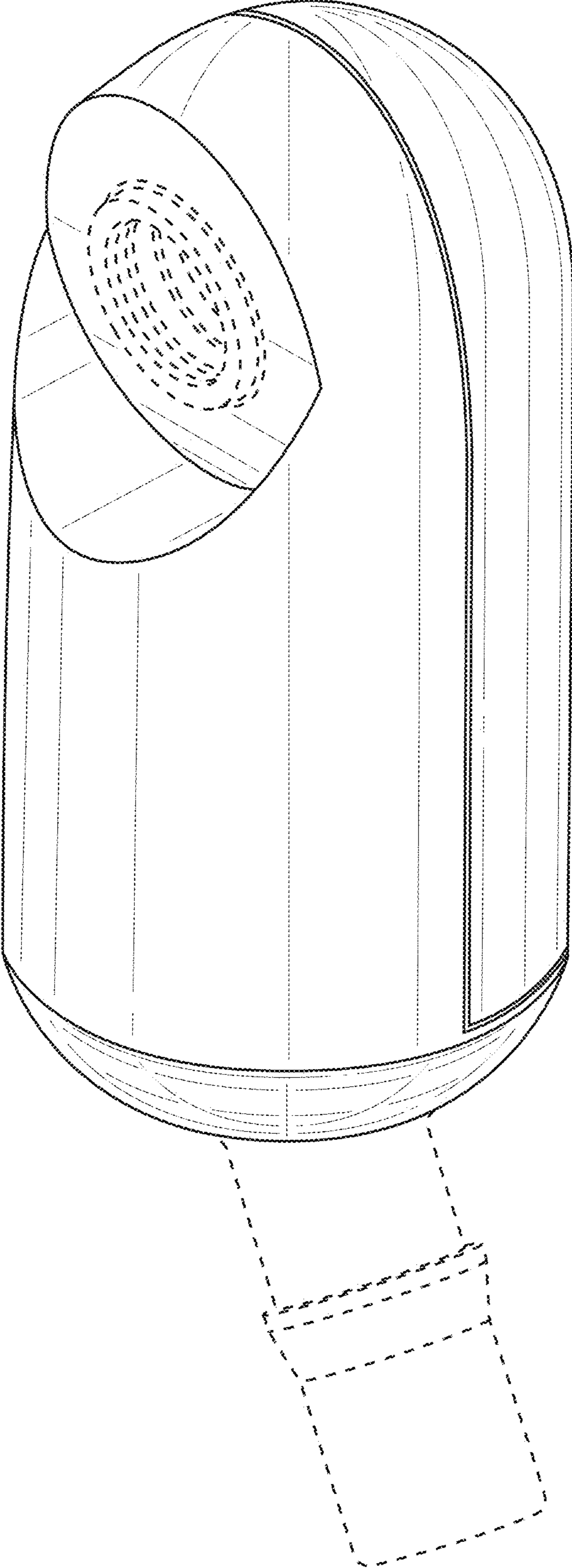


FIG. 1

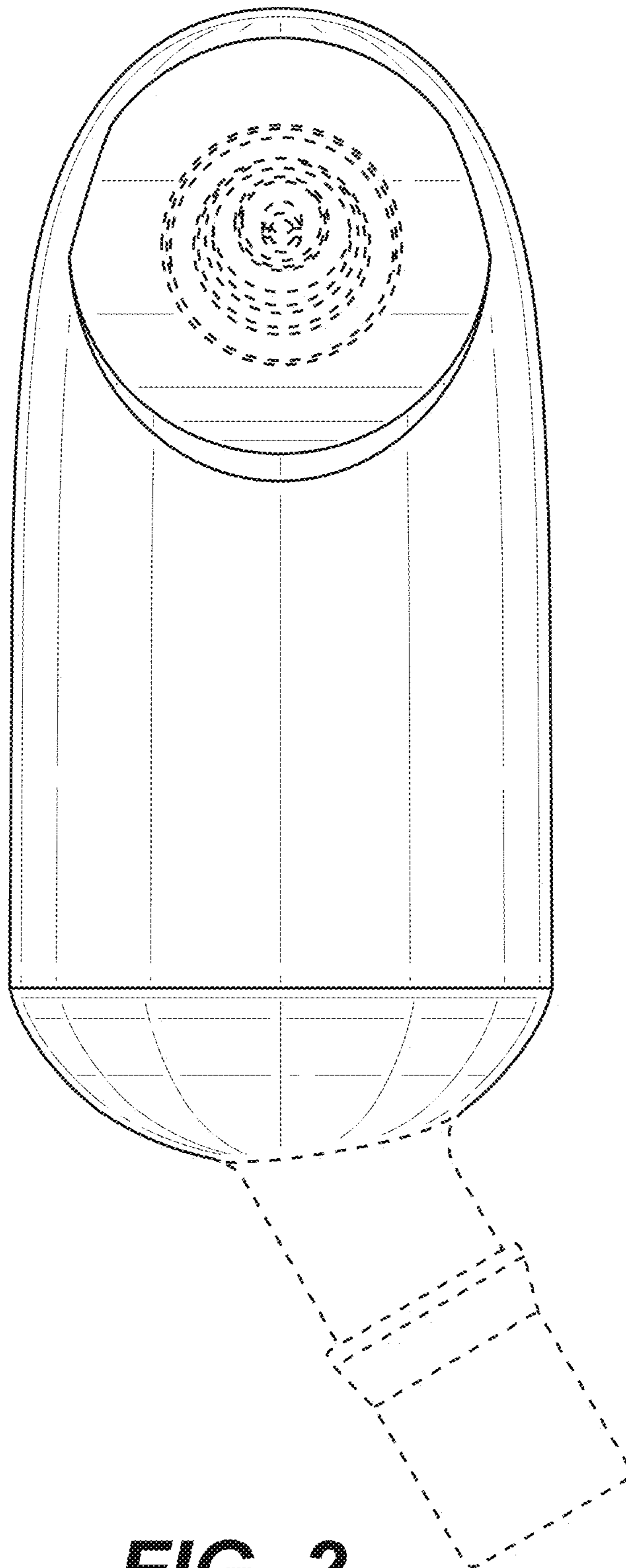


FIG. 2

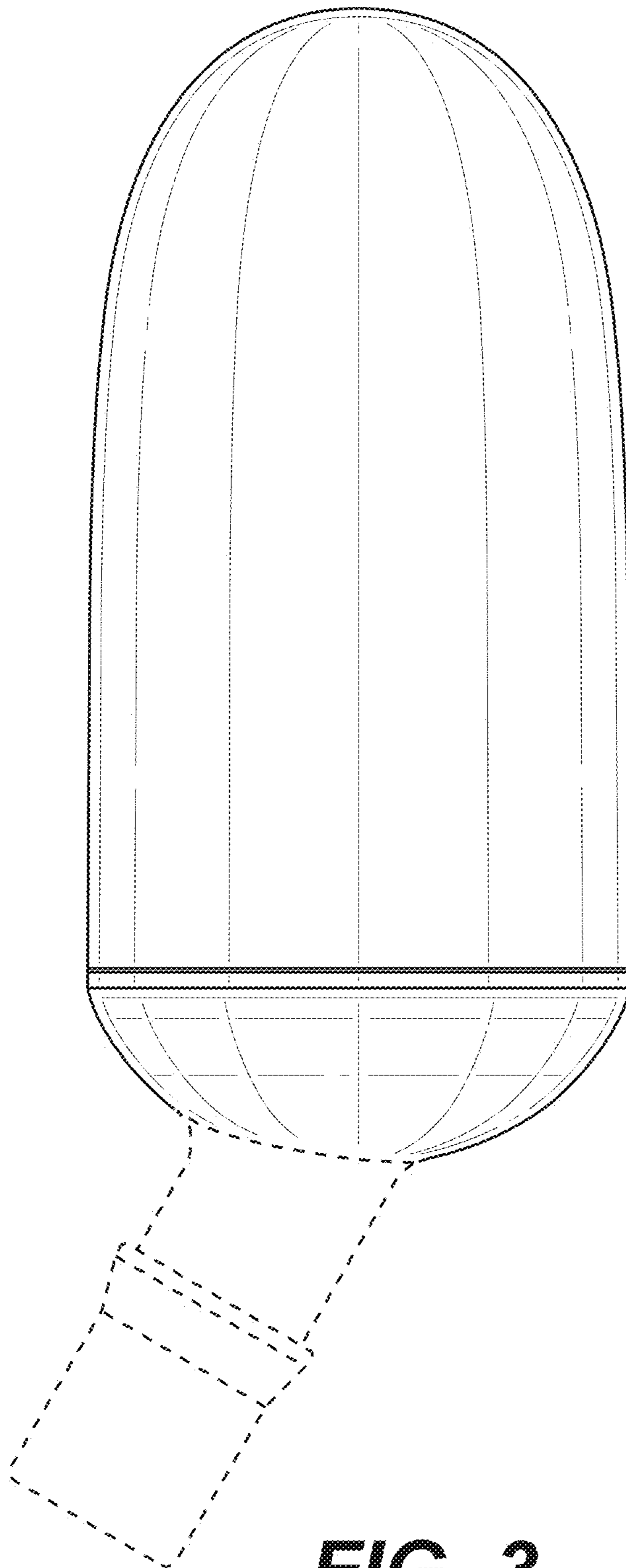


FIG. 3

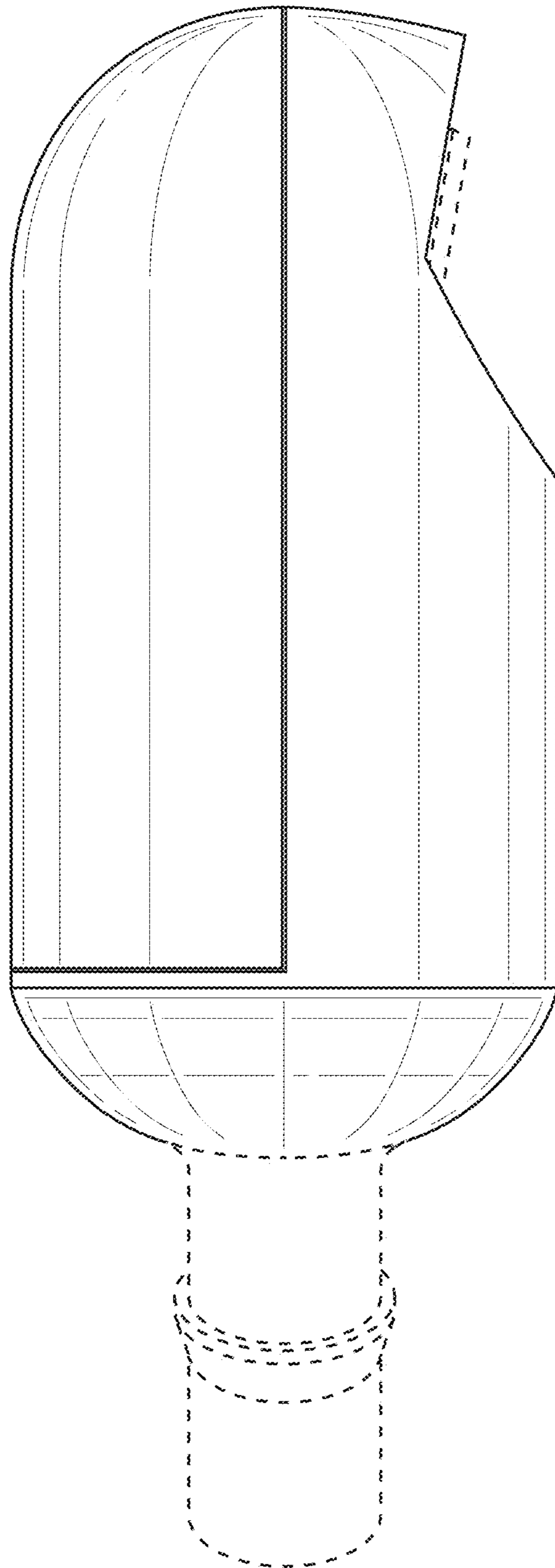


FIG. 4

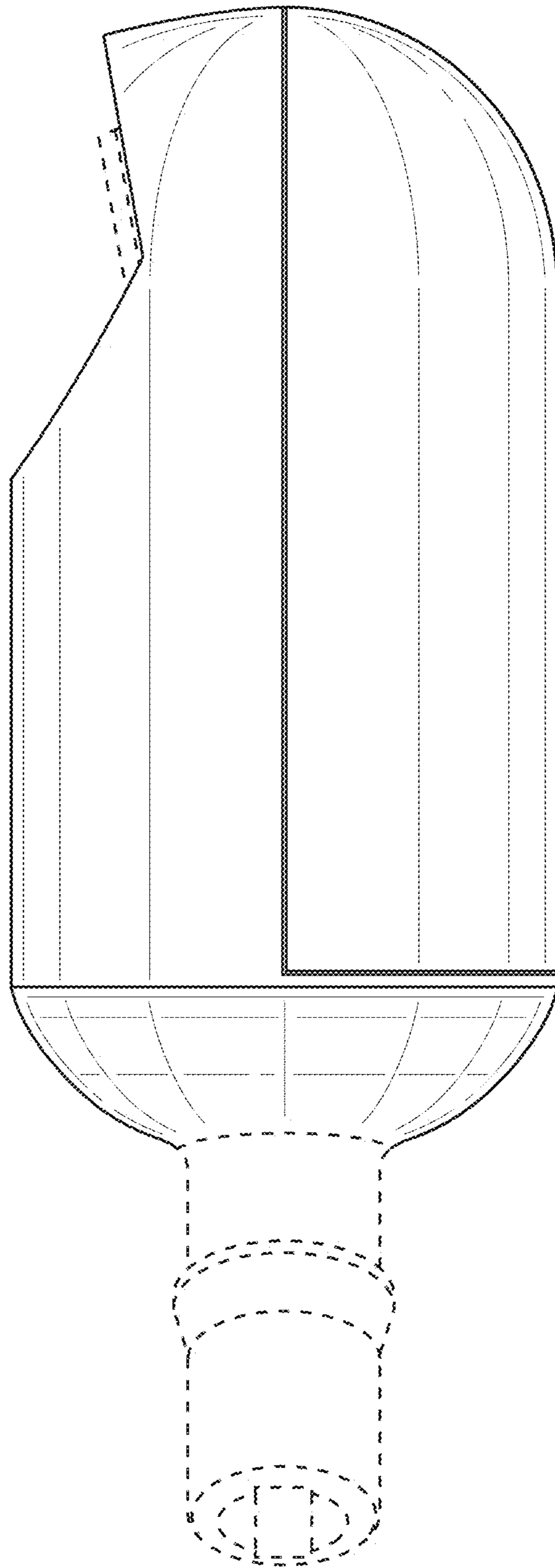


FIG. 5

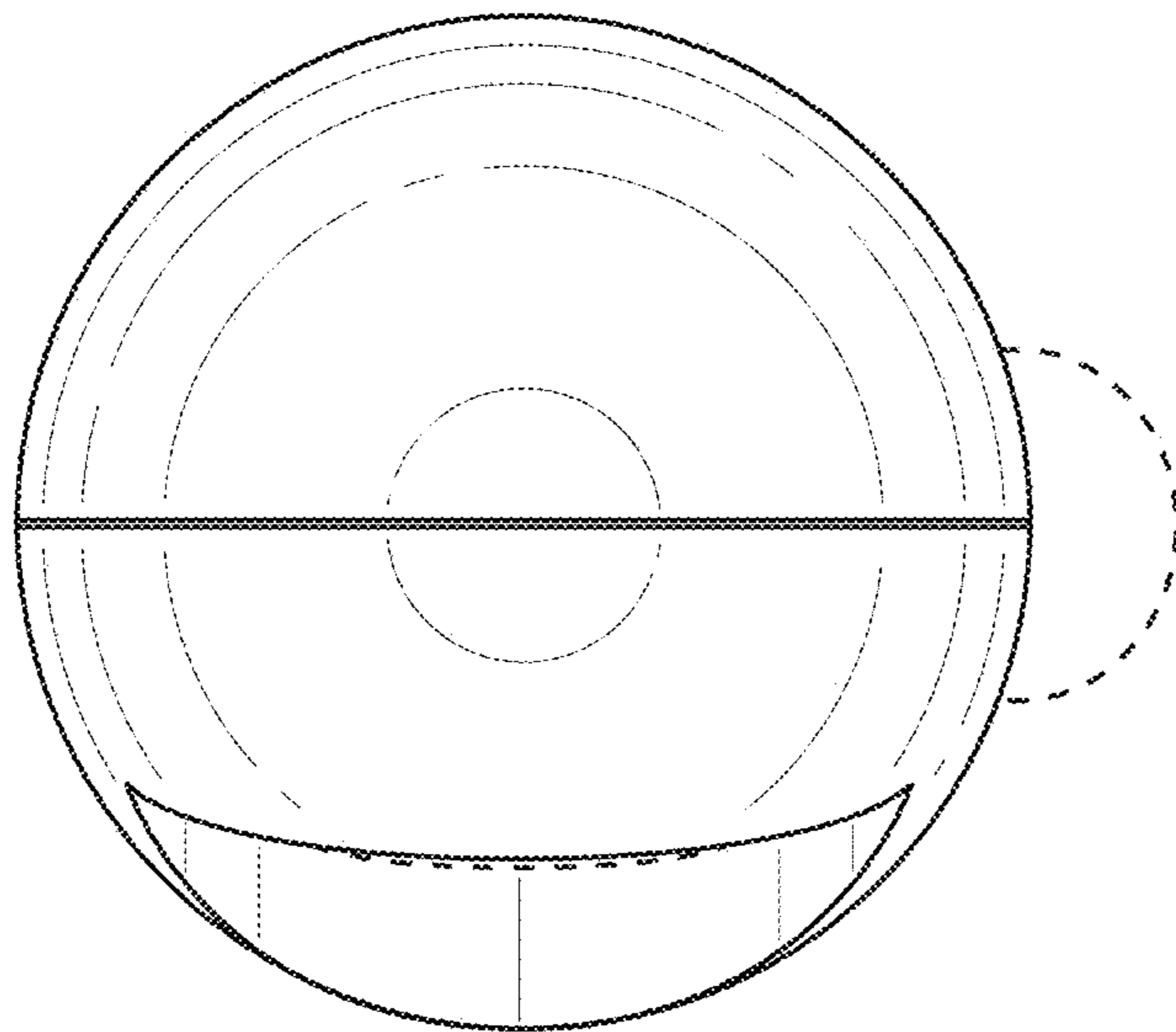


FIG. 6

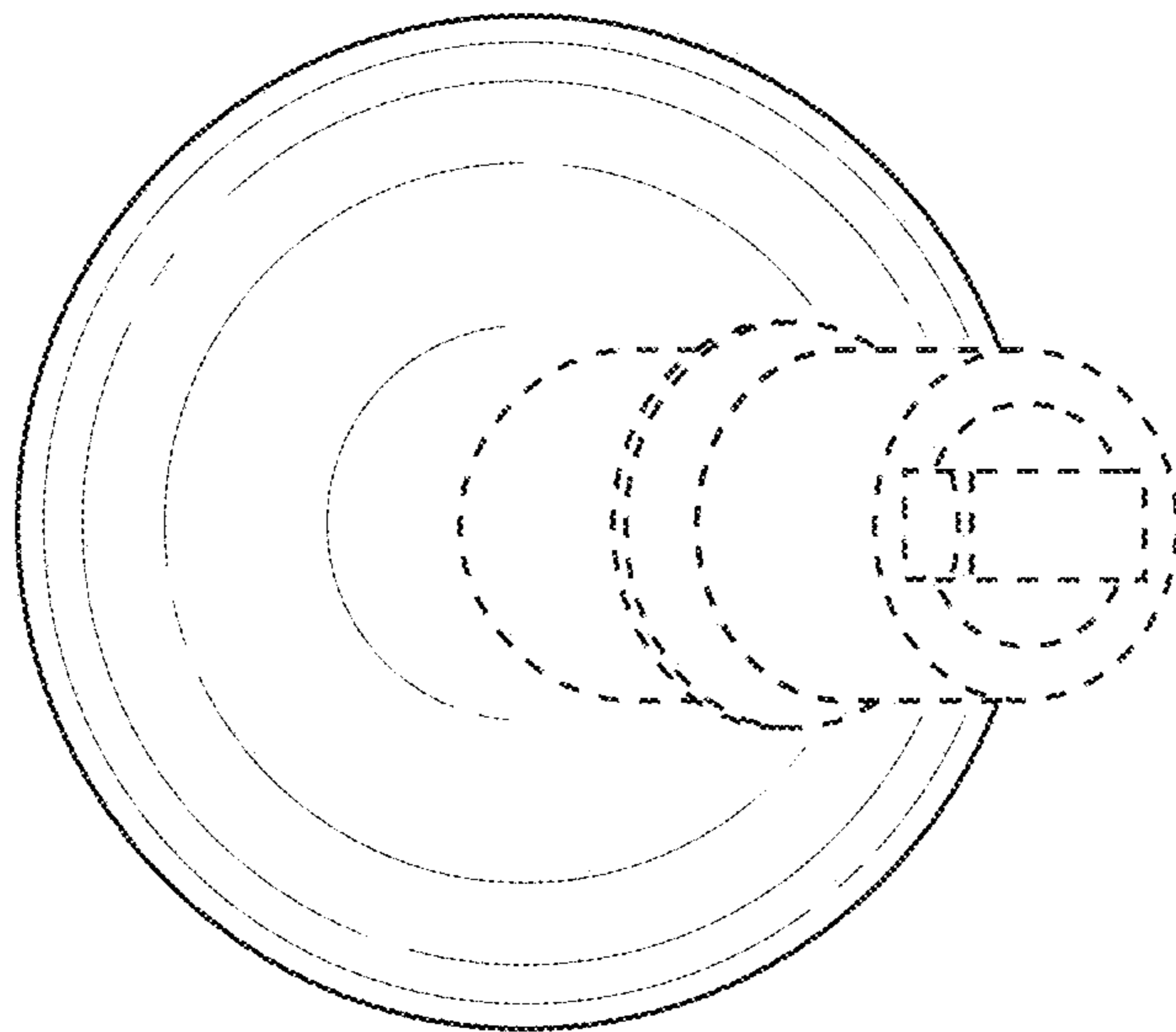


FIG. 7

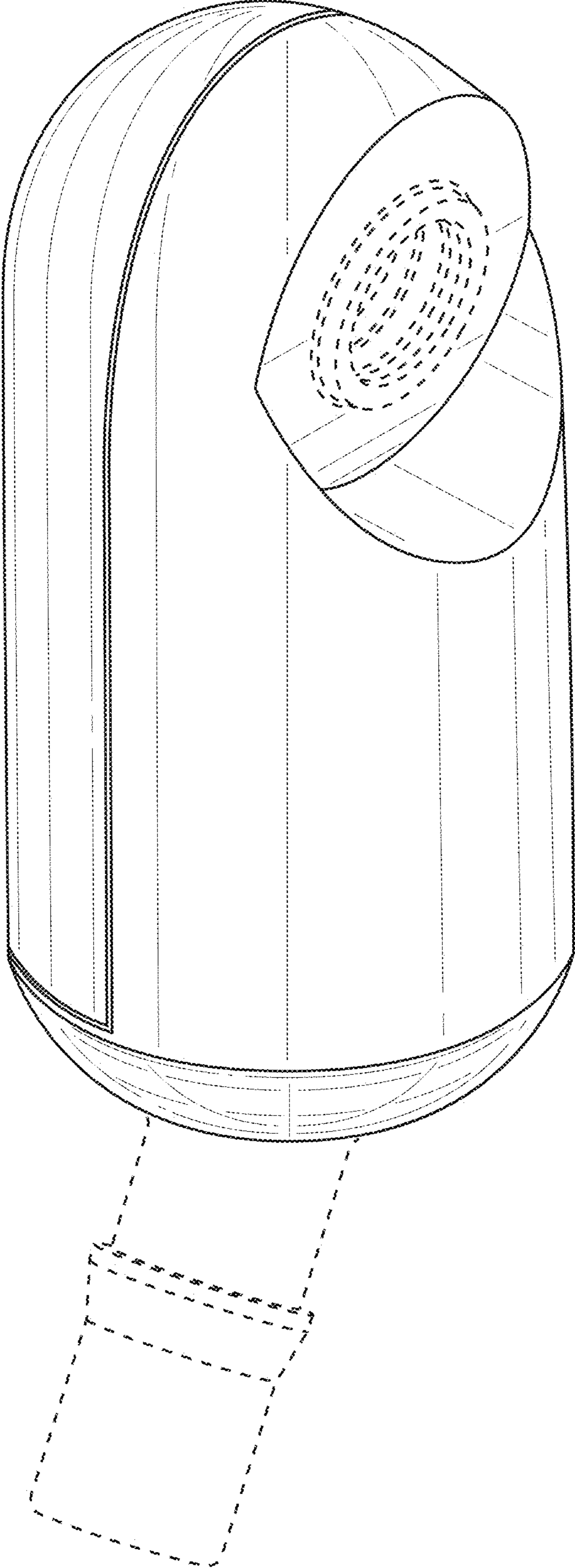


FIG. 8

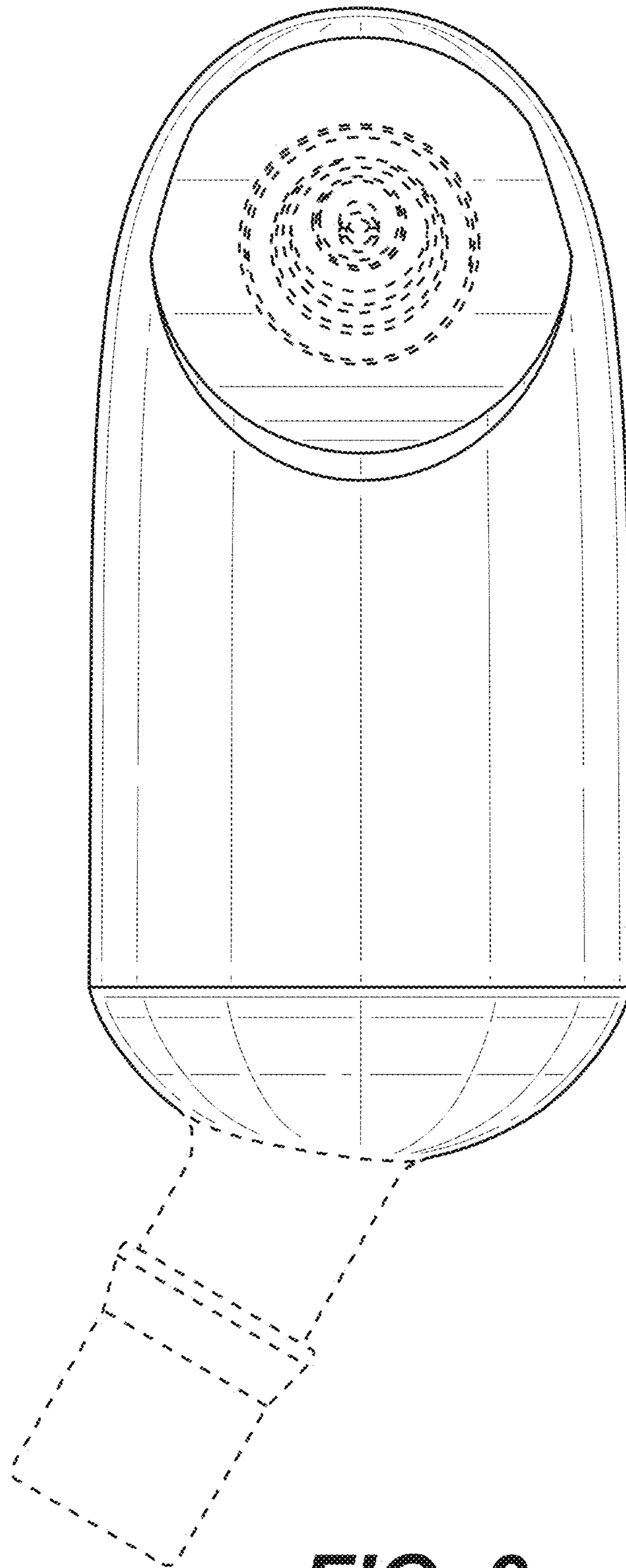


FIG. 9

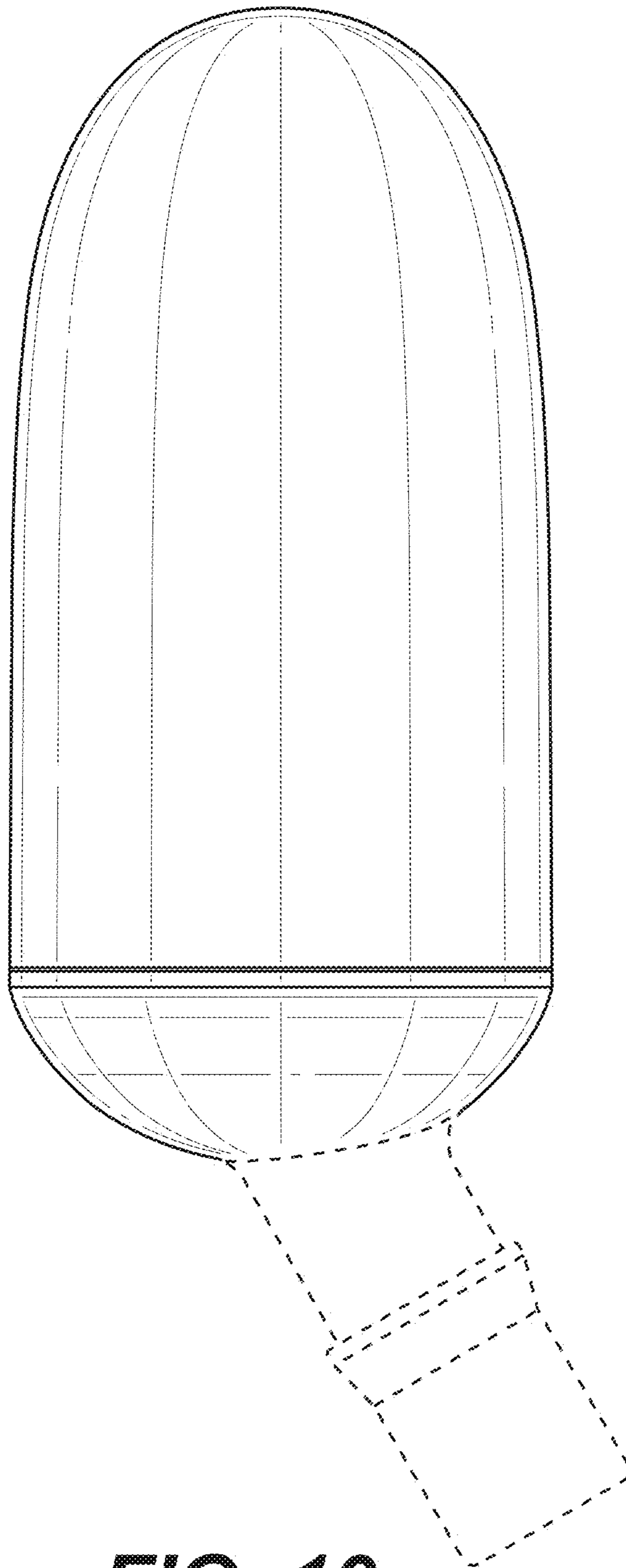


FIG. 10

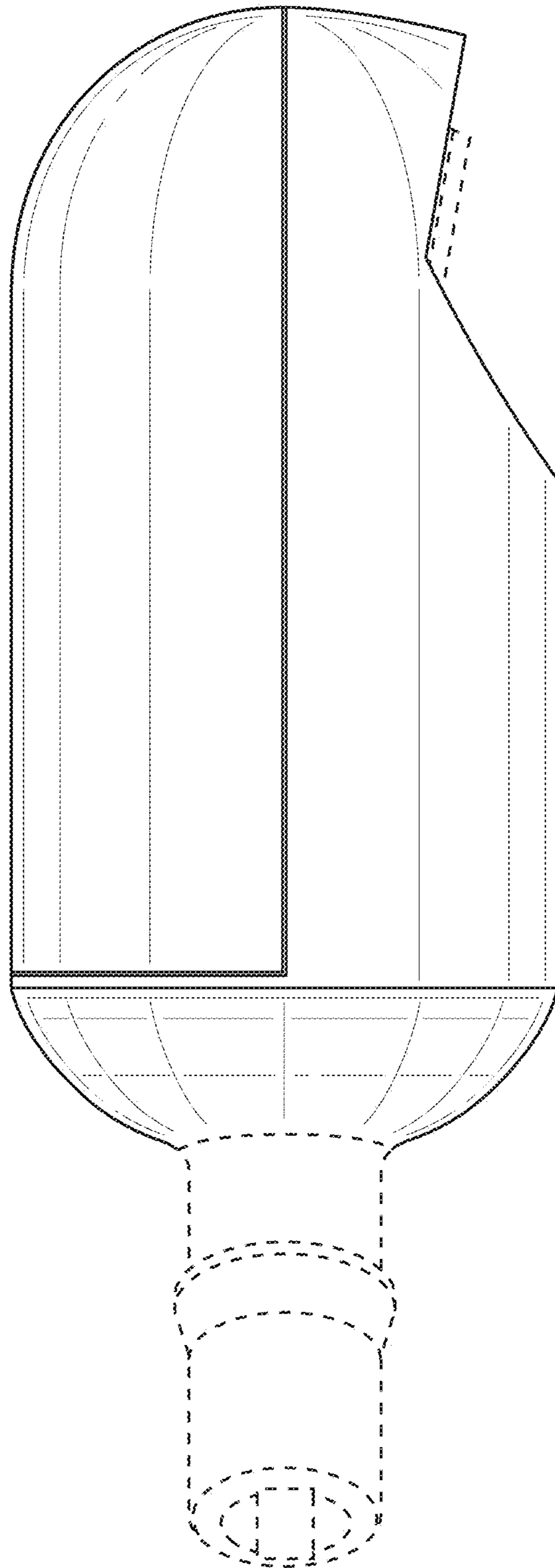


FIG. 11

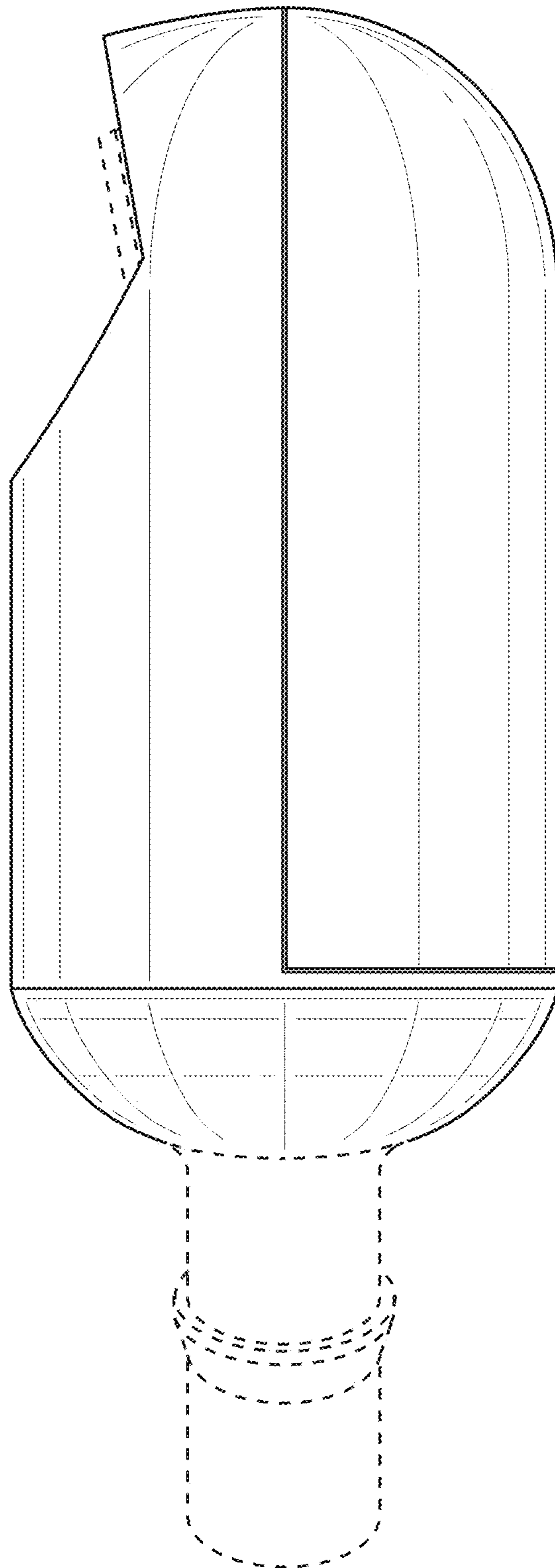


FIG. 12

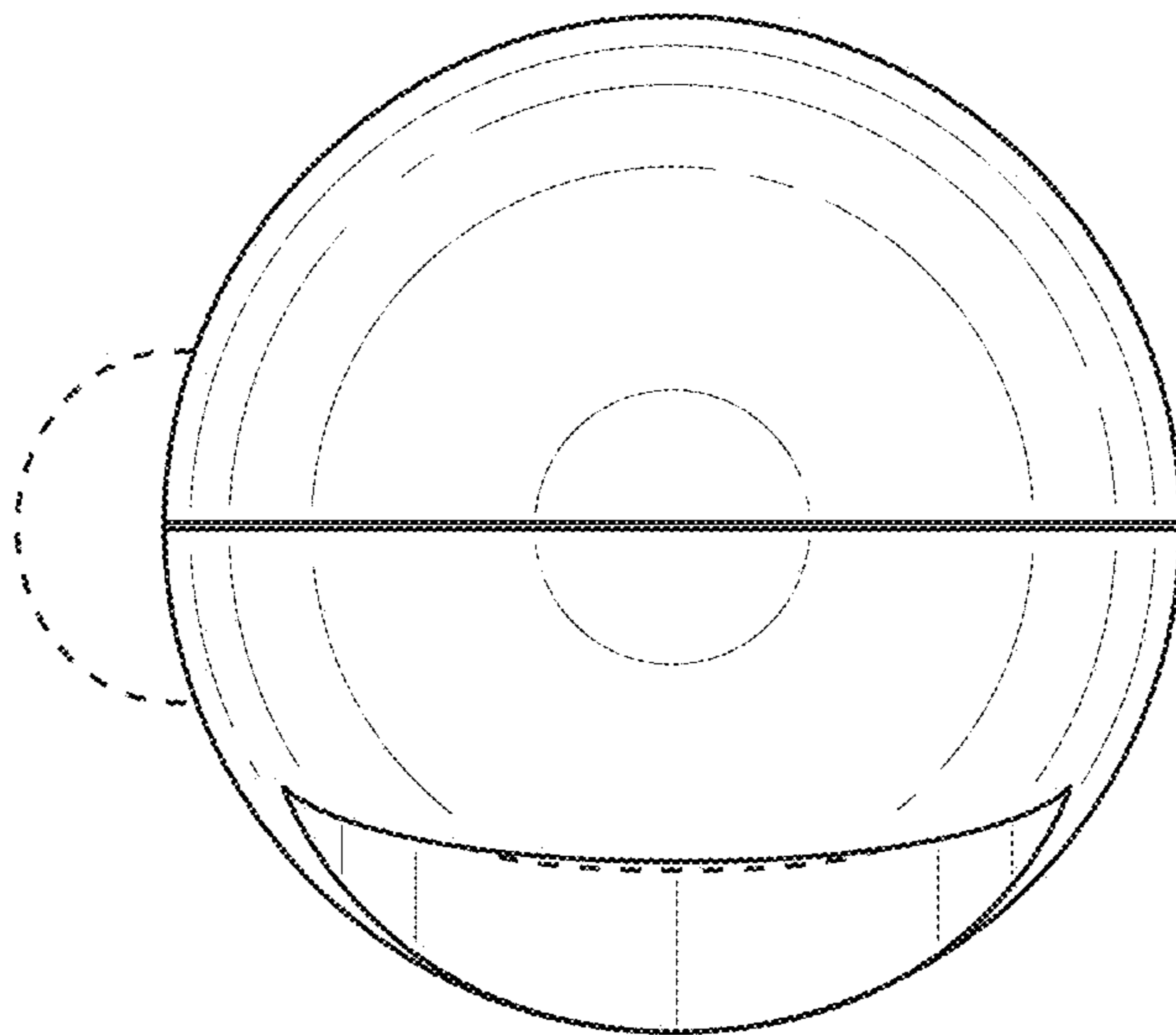


FIG. 13

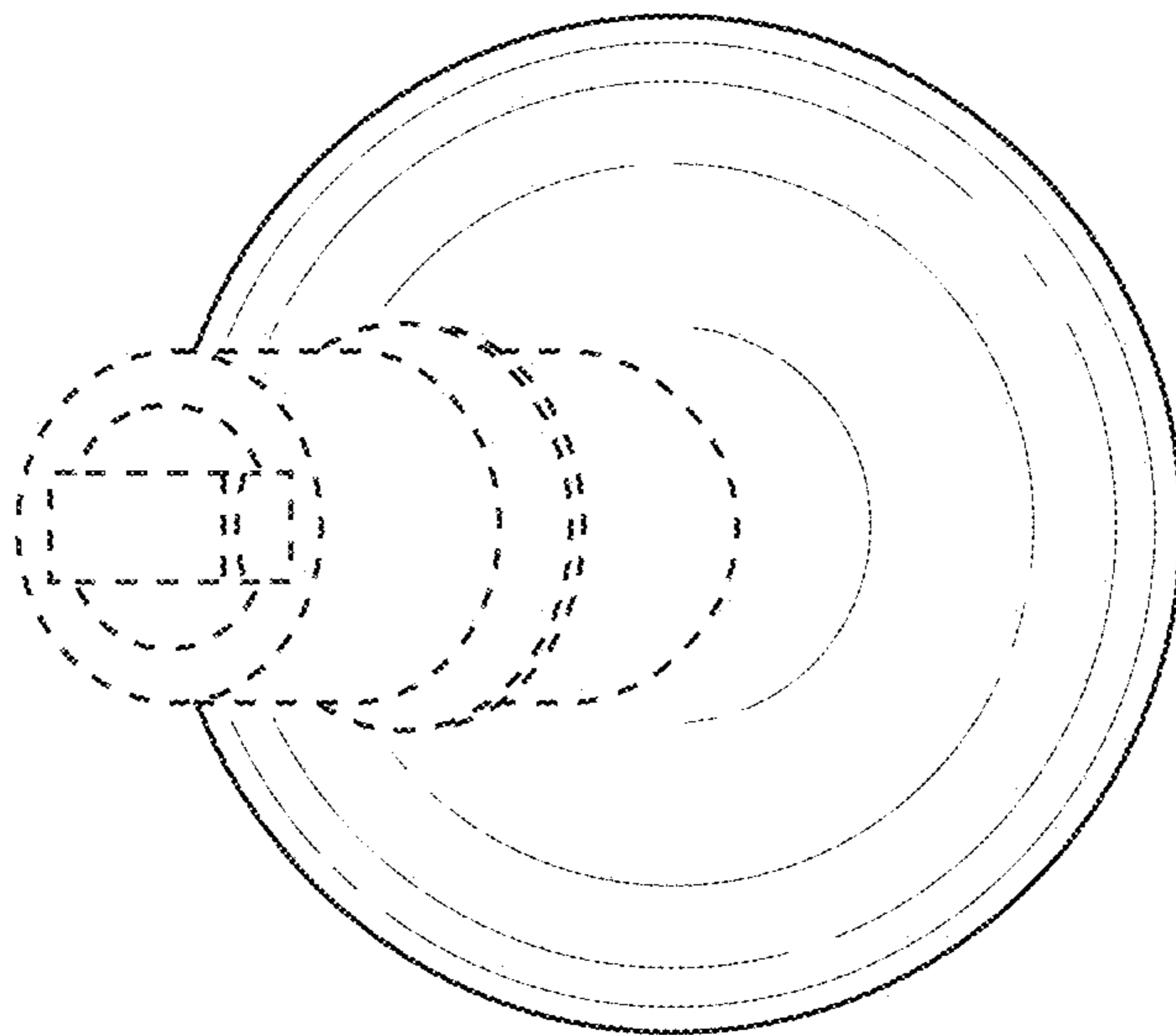


FIG. 14