



US00D894158S

(12) **United States Design Patent** (10) **Patent No.:** **US D894,158 S**
Gu (45) **Date of Patent:** **** Aug. 25, 2020**

(54) **WIRELESS EARBUD**
(71) Applicant: **Jinxin Gu**, Shenzhen (CN)
(72) Inventor: **Jinxin Gu**, Shenzhen (CN)
(73) Assignee: **Shenzhenshi xinlianyoupin technology co., ltd**, Shenzhen (CN)
(**) Term: **15 Years**
(21) Appl. No.: **29/683,545**
(22) Filed: **Mar. 14, 2019**
(51) **LOC (12) Cl.** **14-01**
(52) **U.S. Cl.**
USPC **D14/223**
(58) **Field of Classification Search**
USPC D14/223, 205; 381/380, 381, 322, 328;
455/90.3, 575.1, 569.1
CPC H04R 1/10; H04R 25/00; H04R 1/1016;
H04R 1/1066; H04R 5/033; H04R
5/0335; H04R 1/105; H04R 1/1091
See application file for complete search history.

D595,268 S * 6/2009 Kolton D14/205
D597,084 S * 7/2009 Gondo D14/223
D603,380 S * 11/2009 Hutchieson D14/223
D628,565 S * 12/2010 Wu D14/223
D631,470 S * 1/2011 Yoneyama D14/223
D642,162 S * 7/2011 Wang D14/223
D642,163 S * 7/2011 Lee D14/223
D647,081 S * 10/2011 Kwon D14/223
D652,822 S * 1/2012 Lee D14/223
D654,056 S * 2/2012 Hoggarth D14/205
D666,580 S * 9/2012 Lee D14/223
D666,581 S * 9/2012 Perez D14/223
D668,244 S * 10/2012 Matsumura D14/223
8,406,448 B2 * 3/2013 Lin H04R 1/1091
381/332
D686,597 S * 7/2013 Lee D14/223
D698,750 S * 2/2014 Yoon D14/205
D698,761 S * 2/2014 Bao D14/223
8,776,801 B2 * 7/2014 McIntosh A61F 11/08
128/864

(Continued)

FOREIGN PATENT DOCUMENTS

CN 305452925 * 11/2019
EM 006792735-0001 * 8/2019

Primary Examiner — Paula Allen Greene

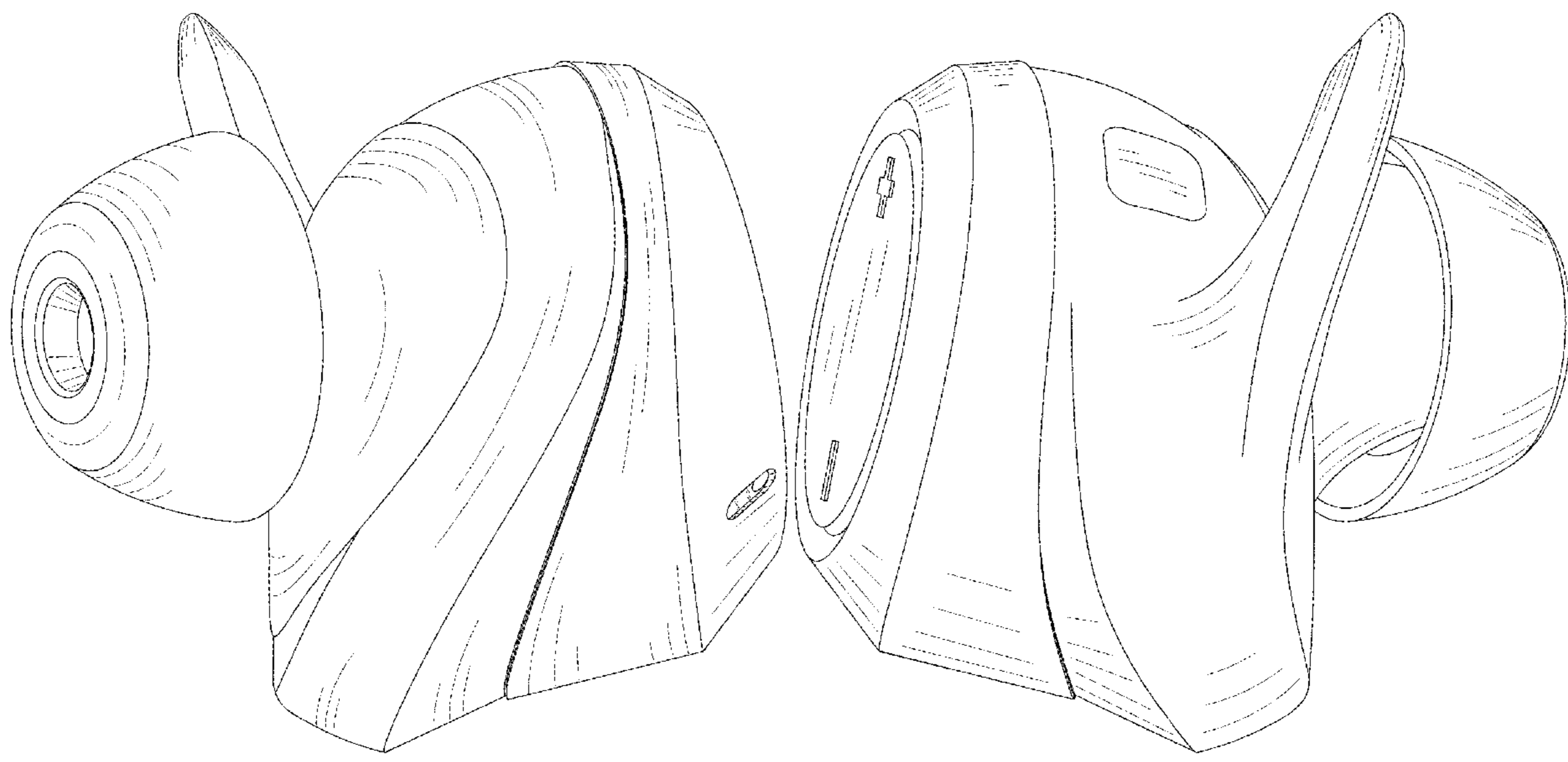
(57) **CLAIM**

The ornamental design for a wireless earbud, as shown and described.

DESCRIPTION

FIG. 1 is a front, bottom perspective view of the wireless earbud showing my new design;
FIG. 2 is a rear perspective view thereof;
FIG. 3 is a left side perspective view thereof;
FIG. 4 is a right side perspective view thereof;
FIG. 5 is a top perspective view thereof;
FIG. 6 is a bottom perspective view thereof; and,
FIG. 7 is a front, top perspective view thereof.

1 Claim, 7 Drawing Sheets



(56)

References Cited

U.S. PATENT DOCUMENTS

D711,858 S * 8/2014 Yang D14/223
 D719,548 S * 12/2014 Thompson D14/223
 D729,775 S * 5/2015 Seo D14/205
 D737,251 S * 8/2015 Thompson D14/223
 D740,786 S * 10/2015 Huang D14/205
 D745,489 S * 12/2015 Bjelle D14/205
 D746,792 S * 1/2016 Kim D14/205
 D764,445 S * 8/2016 Czaniecki D14/223
 D767,532 S * 9/2016 Jen D14/205
 D773,439 S * 12/2016 Walker D14/205
 D777,710 S * 1/2017 Palmborg D14/223
 D781,269 S * 3/2017 Choe D14/223
 D782,442 S * 3/2017 Chen D14/205
 D782,998 S * 4/2017 Shin D14/205
 D788,079 S * 5/2017 Son D14/223
 D789,909 S * 6/2017 Hung D14/223
 D794,614 S * 8/2017 Xu D14/223
 D795,224 S * 8/2017 Valenzuela D14/223
 D795,225 S * 8/2017 Sumii D14/223

D806,879 S * 1/2018 Horbinski D24/174
 D810,054 S * 2/2018 Yuan D14/223
 D812,042 S * 3/2018 Xiao D14/223
 D841,626 S * 2/2019 Tang D14/223
 D842,844 S * 3/2019 Li D14/223
 D845,932 S * 4/2019 Lu D14/223
 D848,979 S * 5/2019 Kim D14/223
 D851,072 S * 6/2019 McNamara D14/223
 D852,171 S * 6/2019 Cai D14/223
 D852,782 S * 7/2019 Bergman D14/223
 D855,589 S * 8/2019 Madsen D14/223
 D871,376 S * 12/2019 Zhou D14/223
 D873,248 S * 1/2020 Weicheng D14/223
 D873,805 S * 1/2020 Yang D14/223
 D876,398 S * 2/2020 Cai D14/223
 D880,457 S * 4/2020 Zhu D14/223
 D883,261 S * 5/2020 Zhang D14/223
 D883,262 S * 5/2020 Wu D14/223
 D883,958 S * 5/2020 Liu D14/223
 2013/0259286 A1 * 10/2013 Chung H04R 1/1016
 381/380

* cited by examiner

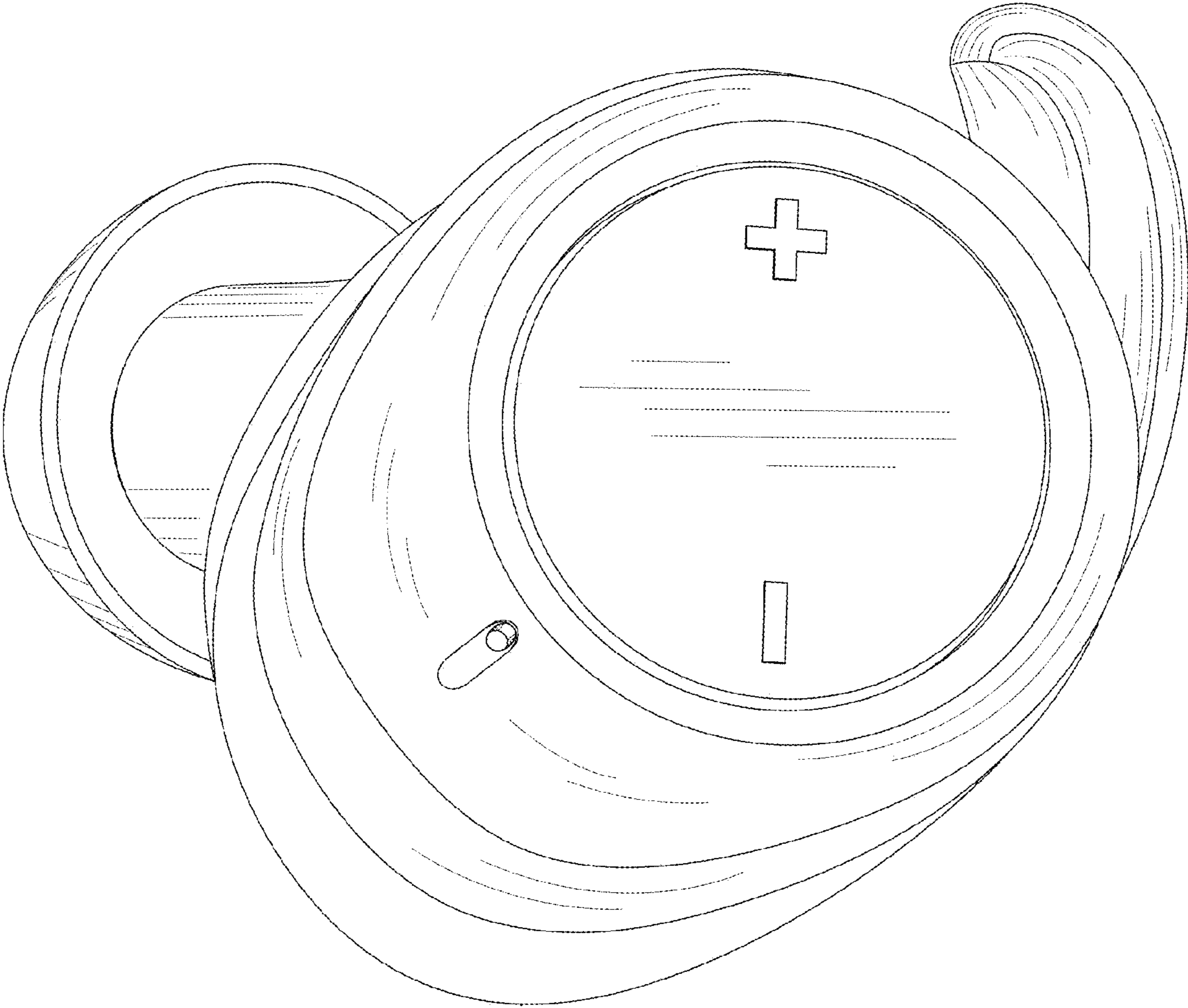


FIG. 1

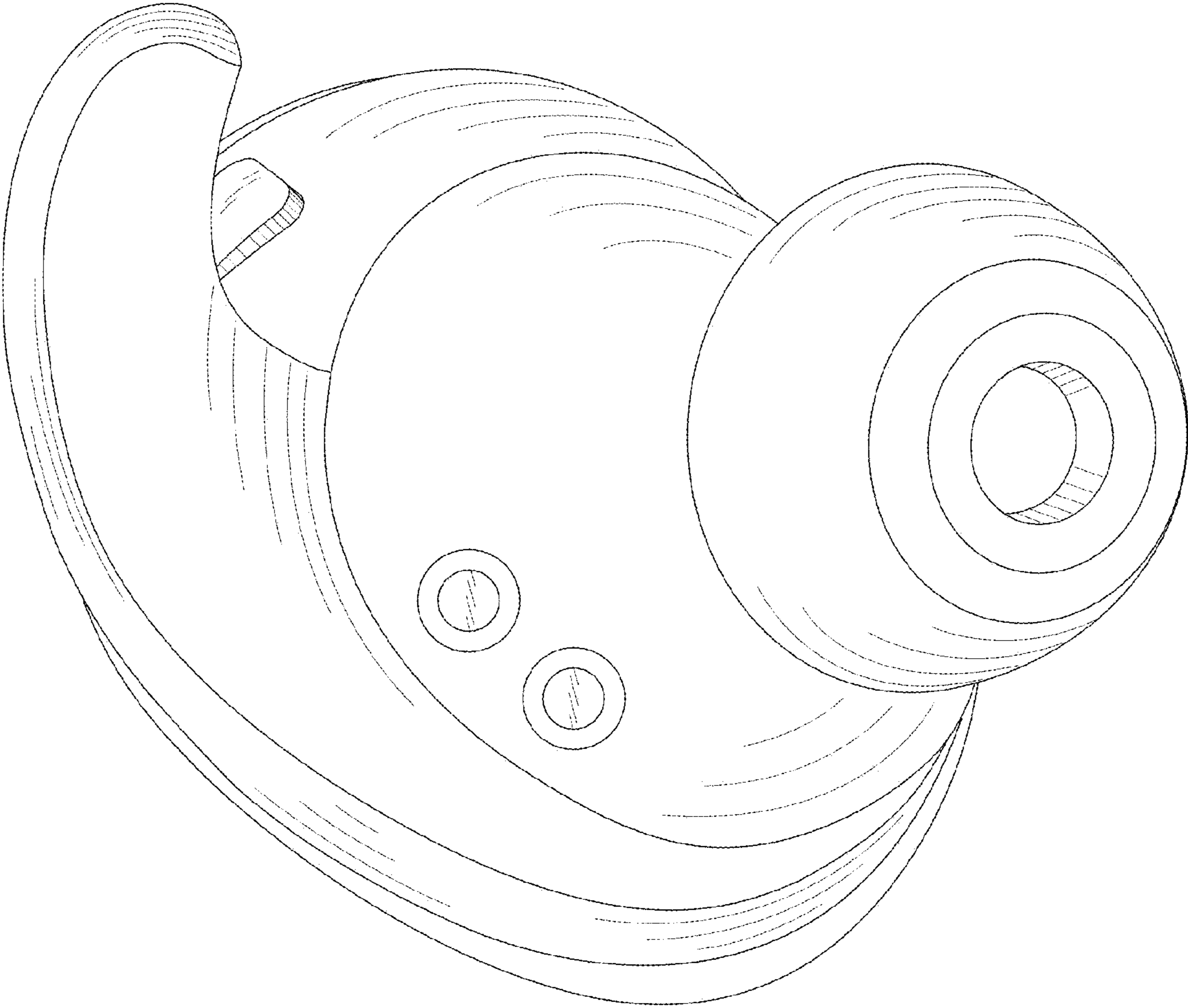


FIG. 2

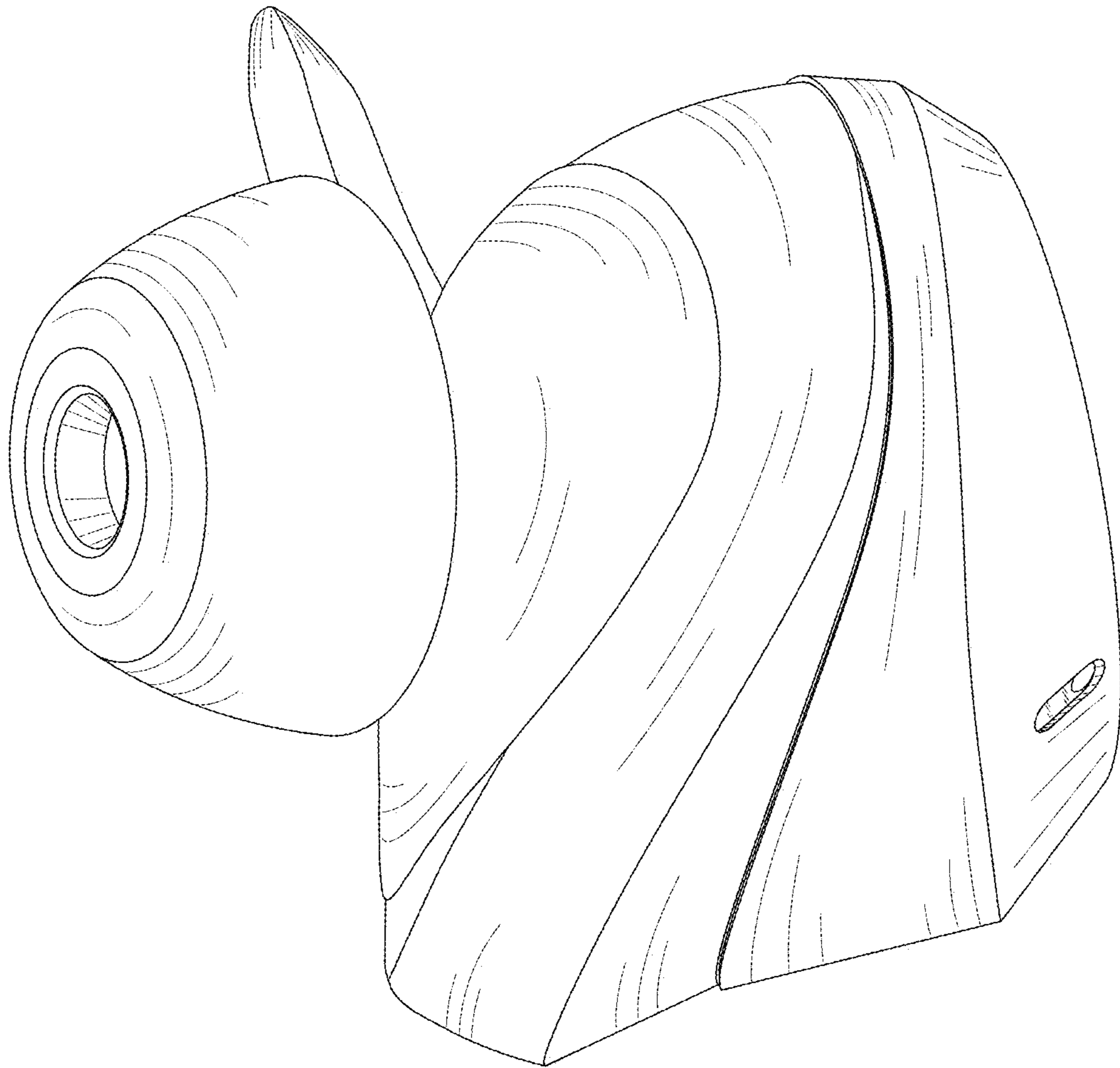


FIG. 3

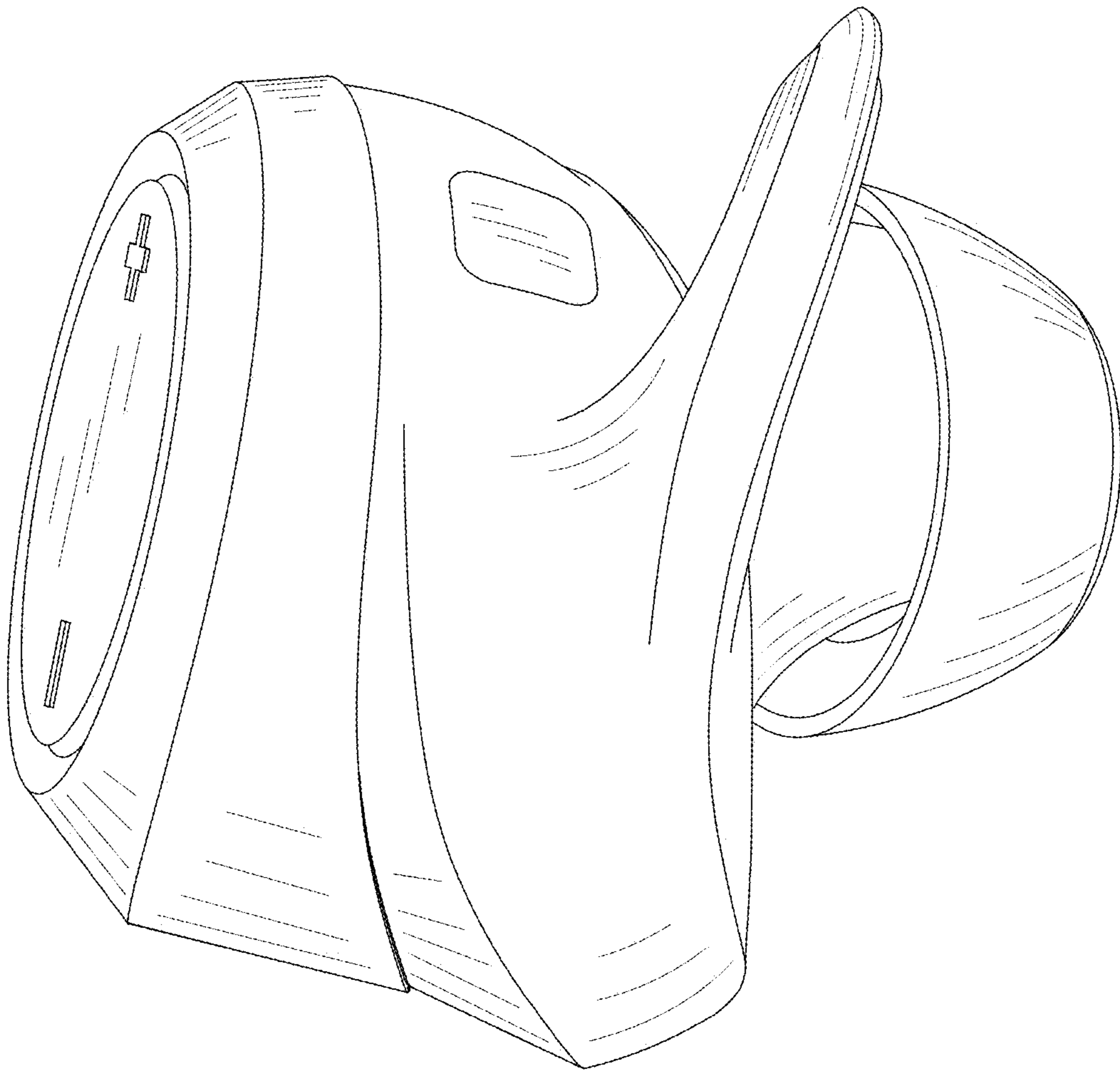


FIG. 4

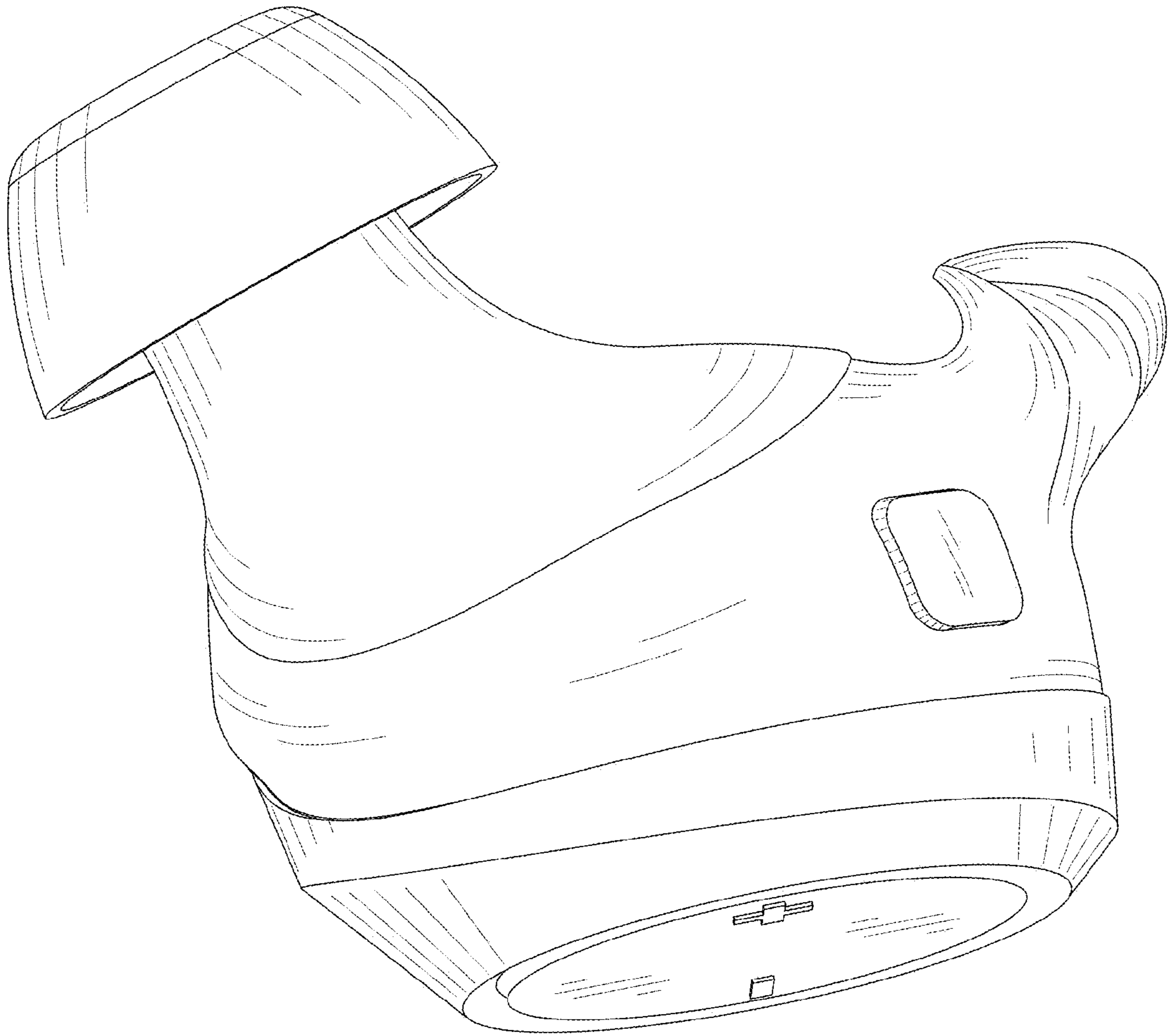


FIG. 5

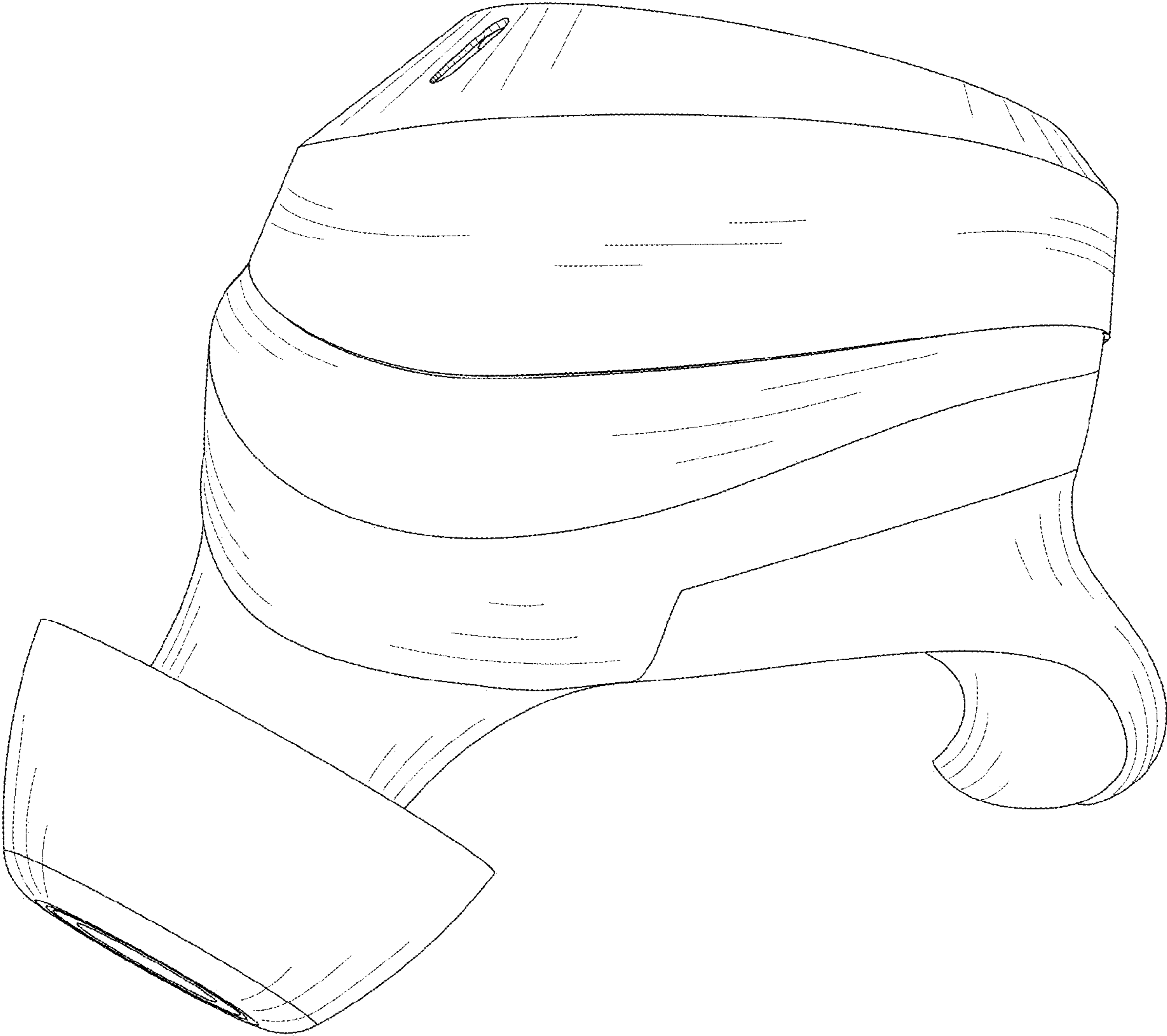


FIG. 6

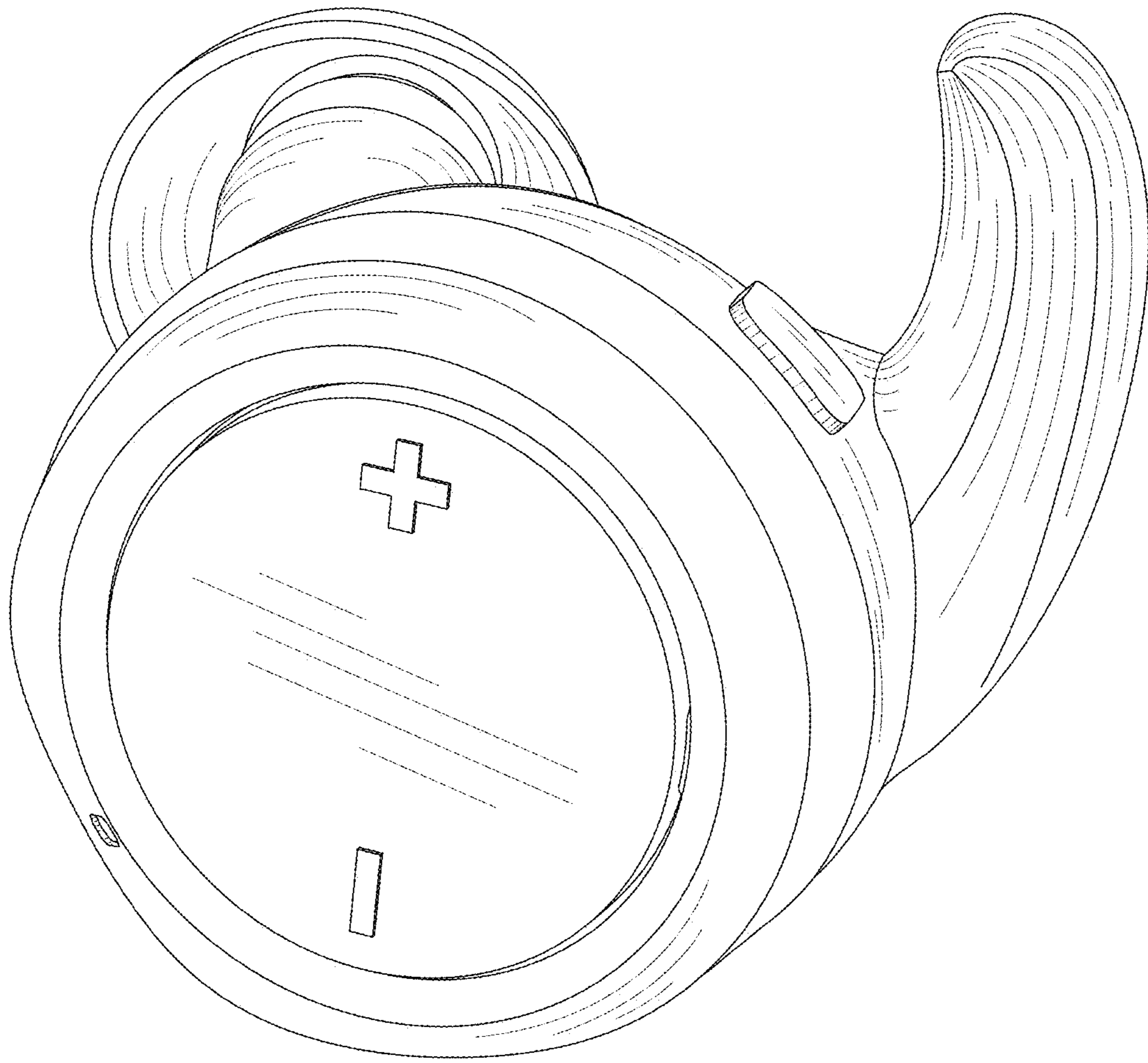


FIG. 7