

US00D894156S

(12) **United States Design Patent**
Pai

(10) **Patent No.:** **US D894,156 S**

(45) **Date of Patent:** **** Aug. 25, 2020**

(54) **LOUDSPEAKER**

(71) Applicant: **Harman International Industries, Incorporated**, Northridge, CA (US)

(72) Inventor: **Chang-hsuan Pai**, Shenzhen (CN)

(73) Assignee: **Harman International Industries, Incorporated**, Northridge, CA (US)

(**) Term: **15 Years**

(21) Appl. No.: **29/675,376**

(22) Filed: **Dec. 31, 2018**

(51) **LOC (12) Cl.** **14-01**

(52) **U.S. Cl.**
USPC **D14/216**

(58) **Field of Classification Search**
USPC D14/167, 168, 170–172, 188, 194–196,
D14/204, 209.1, 210–216, 219, 221, 222,
D14/224, 239, 496

CPC B60R 11/0217; G06F 1/1688; G10K 9/22;
G10K 11/004; H03F 1/327; H04M 1/03;
H04M 1/035; H04N 5/642; H04N
21/4852; H04R 1/02; H04R 1/06; H04R
1/021; H04R 1/025; H04R 1/026; H04R
1/028; H04R 1/105; H04R 1/323; H04R
1/403; H04R 1/2803; H04R 1/2834;
H04R 5/02; H04R 7/20; H04R 9/06;
H04R 9/025; H04R 2201/021; H04R
2400/00; H04R 2201/07; H04R 2499/11;
H04R 2499/13; H04R 2499/15; H04S
3/00; H04S 7/30

See application file for complete search history.

(56) **References Cited**

U.S. PATENT DOCUMENTS

D642,159 S * 7/2011 Joseph D14/215
D681,010 S * 4/2013 Cho D14/215

D726,154 S * 4/2015 Chang D14/215
D765,617 S * 9/2016 Mackiewicz et al.
D766,215 S * 9/2016 Mackiewicz et al.
D767,568 S * 9/2016 McWilliam D14/358
D801,306 S 10/2017 Czaniecki et al.
D808,454 S * 1/2018 Seflic D16/200
D842,275 S * 3/2019 Brunner D14/216
D842,841 S 3/2019 Demin
D862,416 S 10/2019 Czaniecki et al.

* cited by examiner

Primary Examiner — Keli L Hill

(74) *Attorney, Agent, or Firm* — Plumsea Law Group, LLC

(57) **CLAIM**

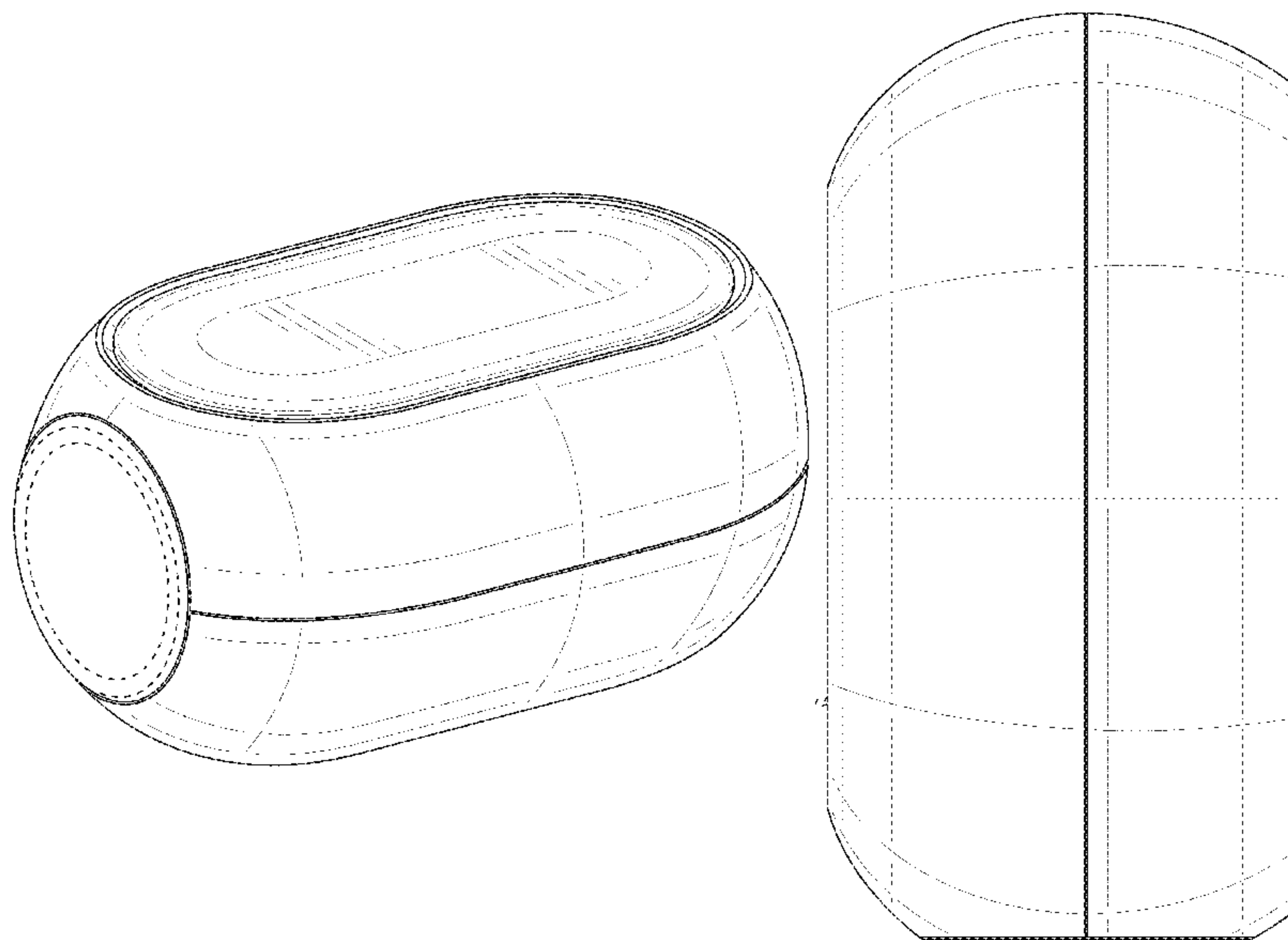
The ornamental design for a loudspeaker, as shown and described.

DESCRIPTION

FIG. 1 is a side perspective view of a loudspeaker showing the new design;
FIG. 2 is a front elevational view thereof;
FIG. 3 is a rear elevational view thereof;
FIG. 4 is a side elevational view thereof;
FIG. 5 is an opposite side elevational view thereof;
FIG. 6 is a top view thereof; and,
FIG. 7 is a bottom view thereof.

The broken lines and unshaded areas in the figures illustrate portions of the design that form no part of the claimed design. The shading is provided merely to represent contours of the design and does not connote the character of the surfaces such as any specific texture, material, gloss, translucence, transparency, surface treatment, or surface decoration.

1 Claim, 7 Drawing Sheets



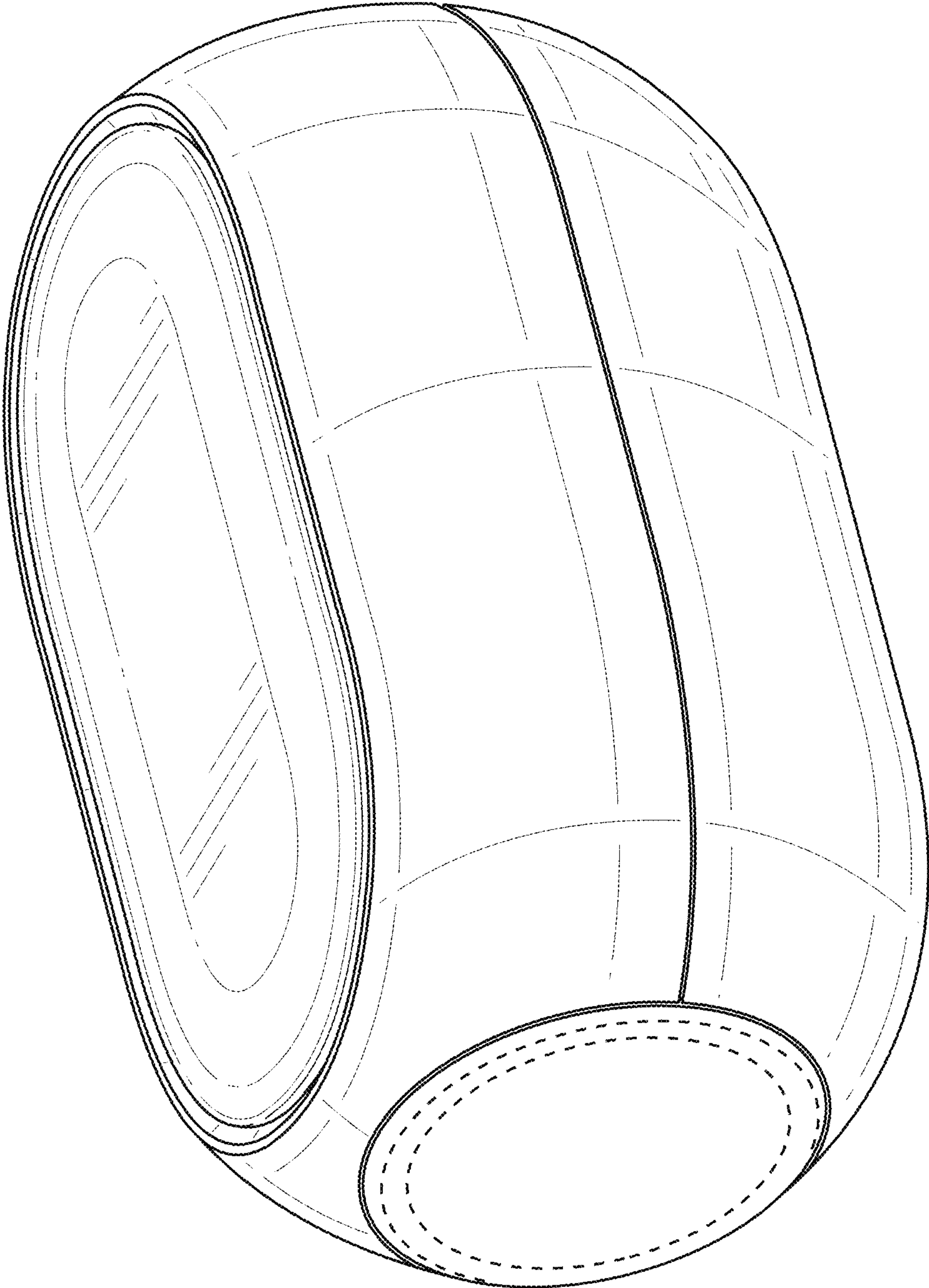


FIG. 1

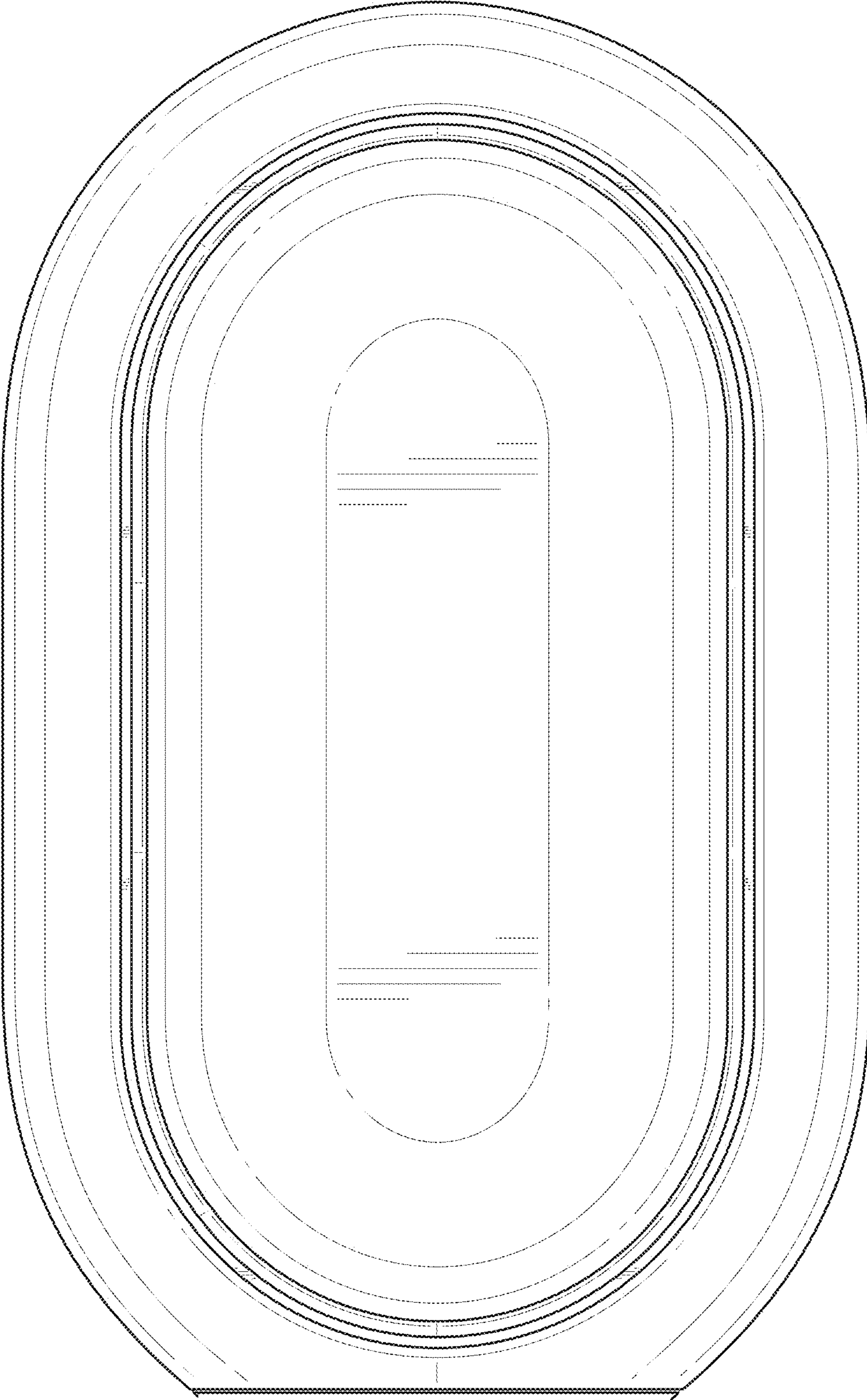


FIG. 2

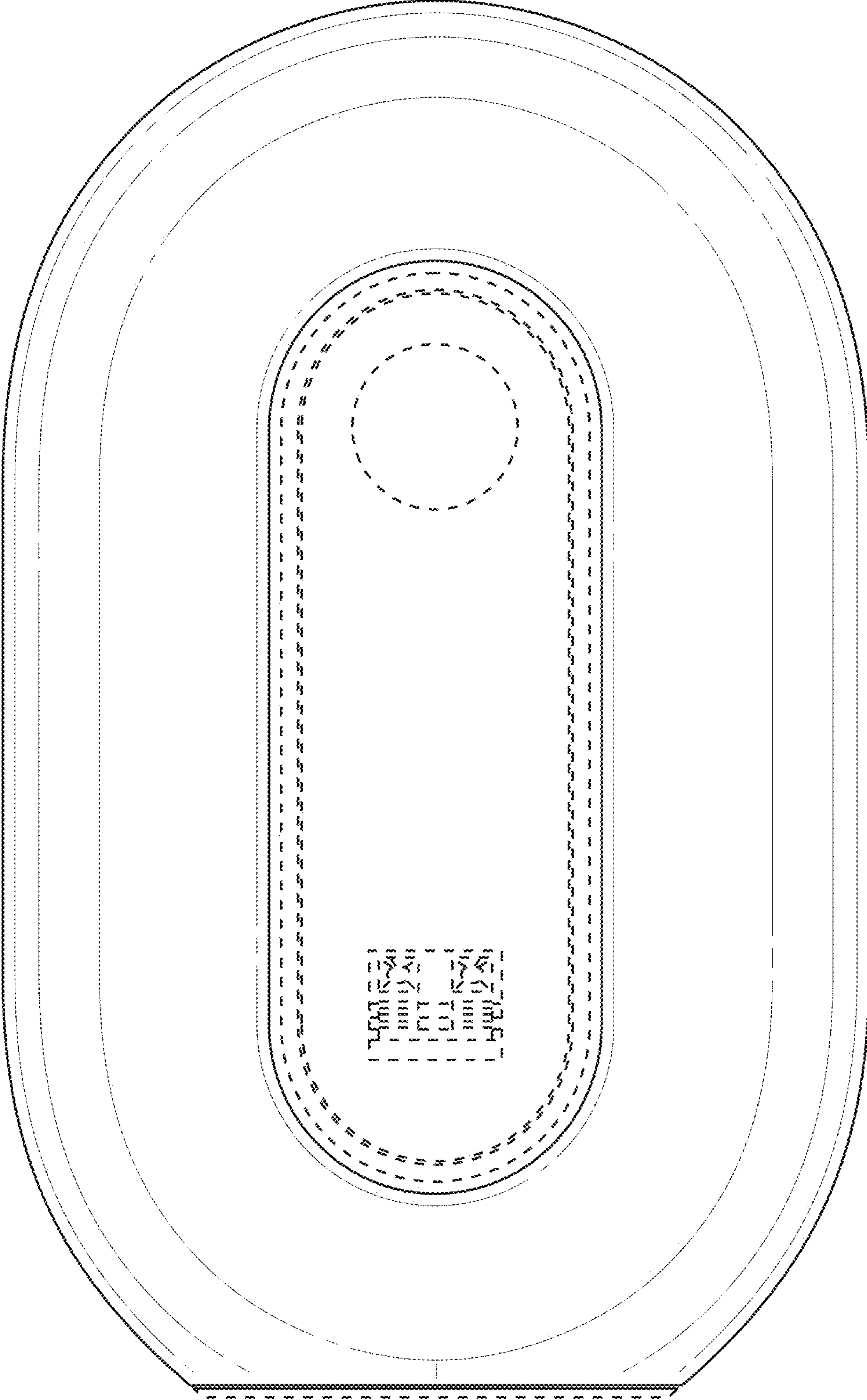


FIG. 3

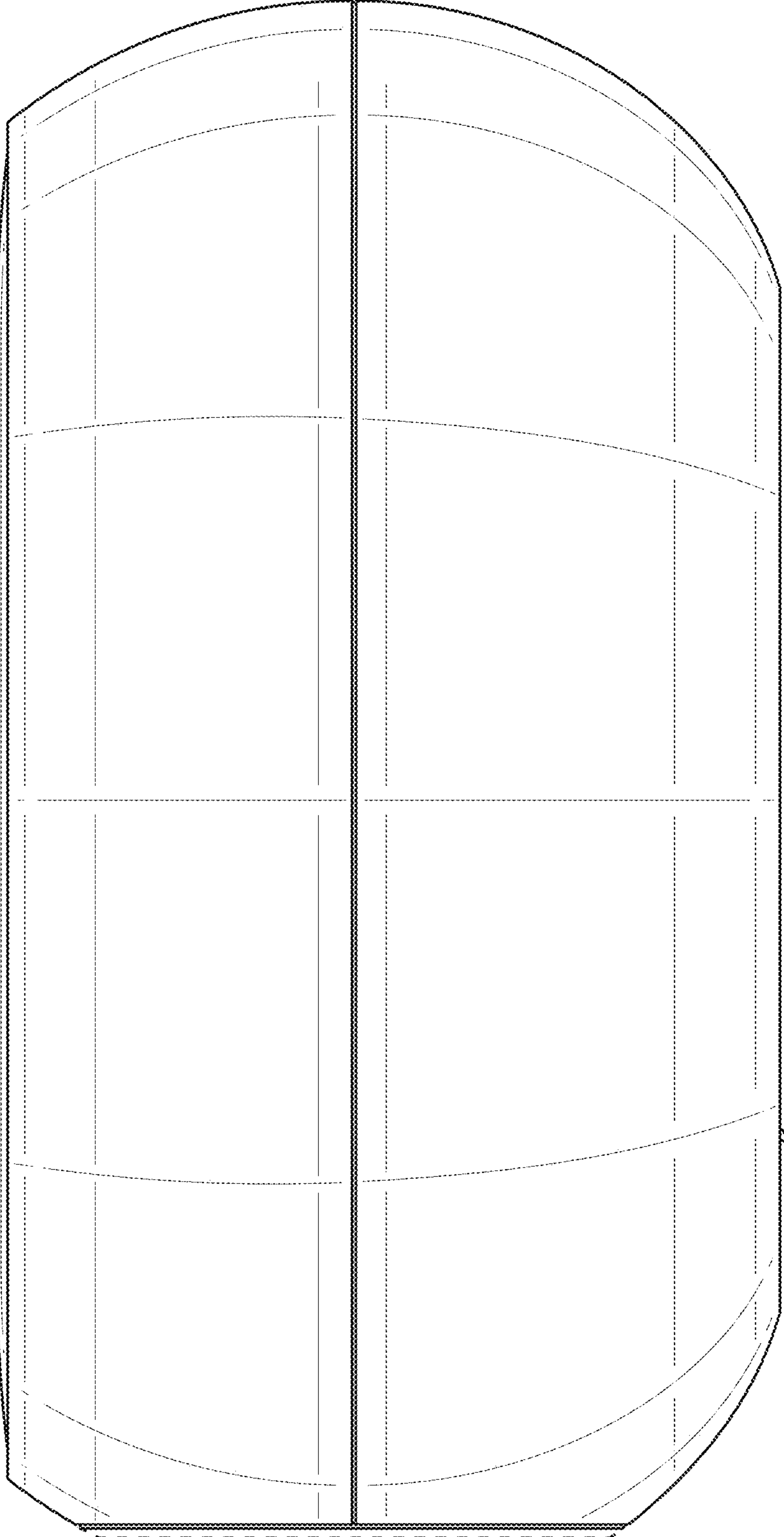


FIG. 4

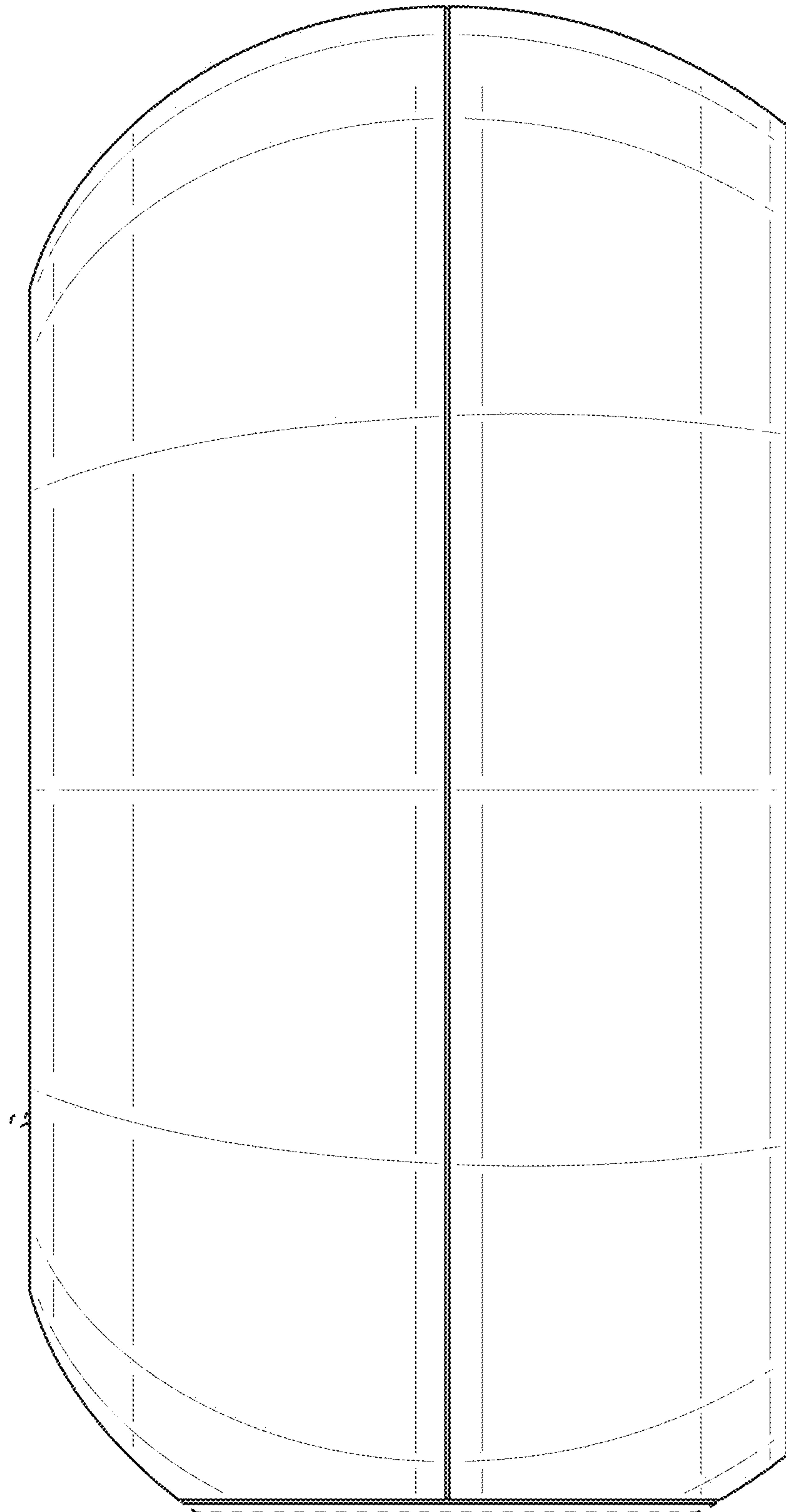


FIG. 5

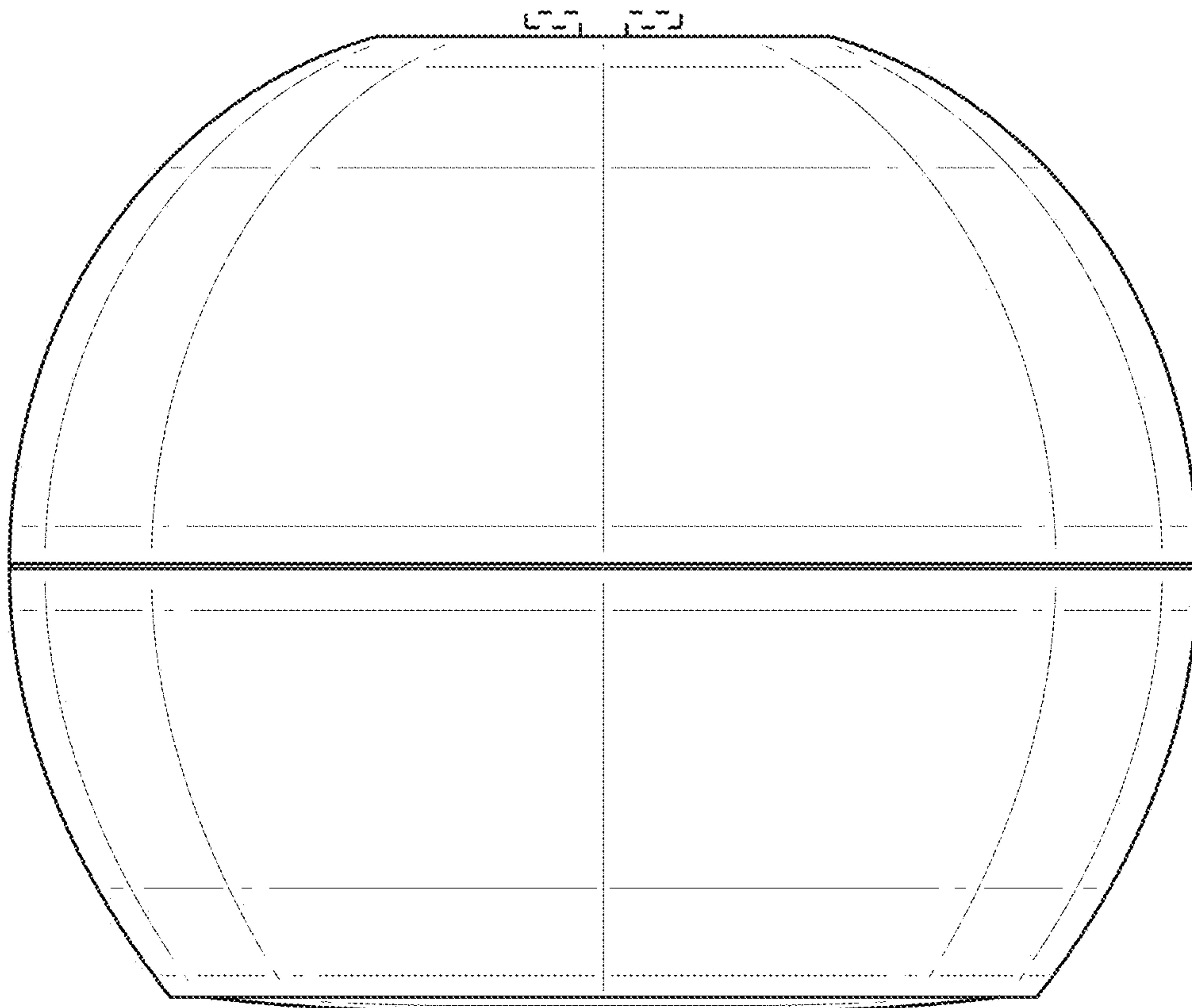


FIG. 6

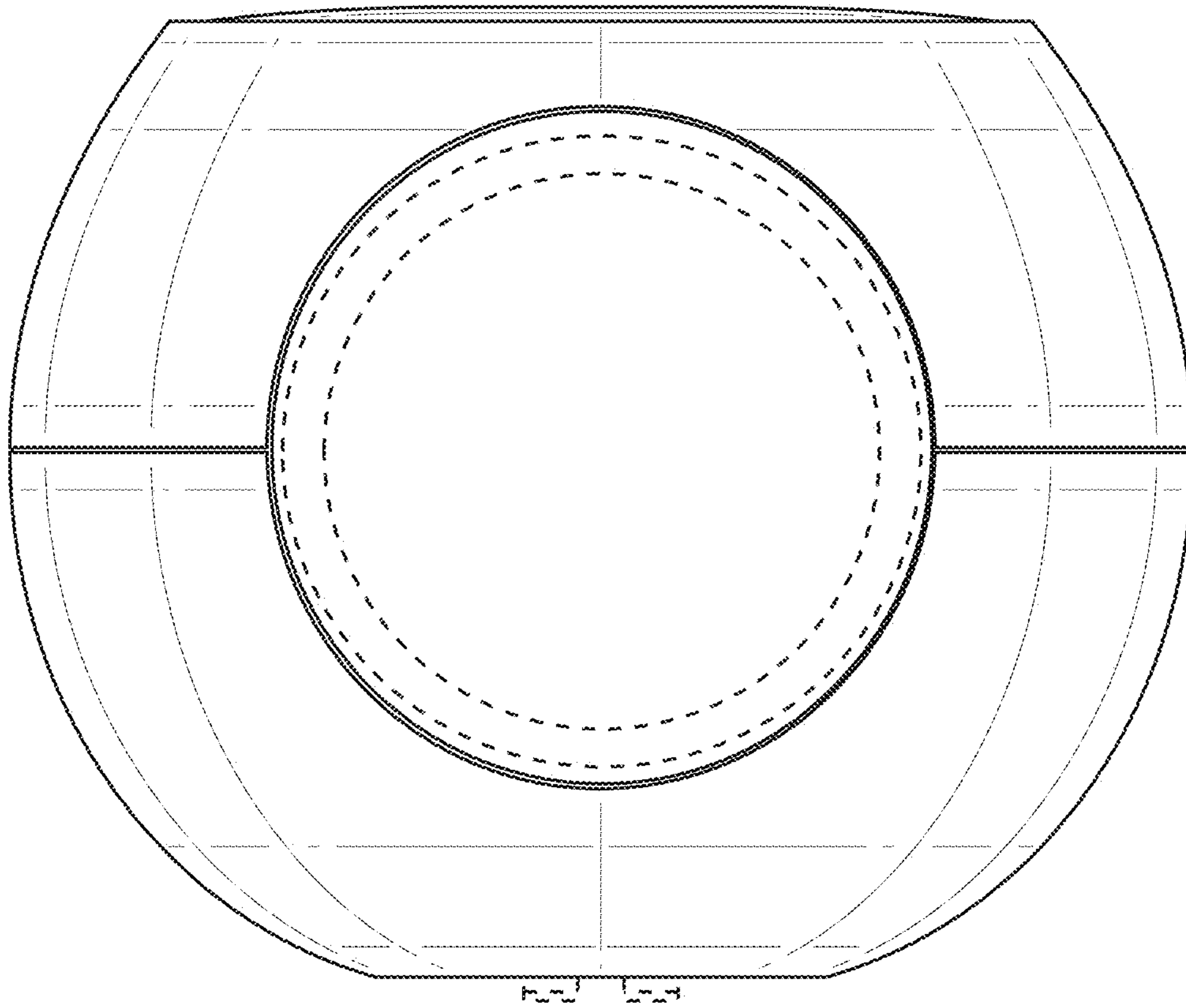


FIG. 7