



US00D894149S

(12) **United States Design Patent** (10) **Patent No.:** **US D894,149 S**  
**Li et al.** (45) **Date of Patent:** **\*\* Aug. 25, 2020**

(54) **INFORMATION TERMINAL FOR PAYMENT**

(71) Applicant: **ALIBABA GROUP HOLDING LIMITED**, Grand Cayman (KY)

(72) Inventors: **Xuelong Li**, Hangzhou (CN); **Le Zhou**, Hangzhou (CN)

(73) Assignee: **Alibaba Group Holding Limited**, Grand Cayman (KY)

(\*\*) Term: **15 Years**

(21) Appl. No.: **29/680,333**

(22) Filed: **Feb. 14, 2019**

(30) **Foreign Application Priority Data**

Aug. 16, 2018 (CN) ..... 2018 3 0455681

(51) **LOC (12) Cl.** ..... **14-01**

(52) **U.S. Cl.**  
USPC ..... **D14/172; D14/204; D18/4.4**

(58) **Field of Classification Search**  
USPC ..... D14/204, 209, 210, 215, 216, 172, 300, D14/301, 302, 314, 383; D18/4.4, 4.5, D18/4.6, 12  
CPC .. G10K 13/00; G10K 9/13; H01F 1/03; H01F 3/10; H01F 7/0289  
See application file for complete search history.

(56) **References Cited**

**U.S. PATENT DOCUMENTS**

3,259,153 A \* 7/1966 Haase ..... B65D 43/163 141/110  
D253,819 S \* 1/1980 Gillum ..... D14/214  
D394,263 S \* 5/1998 Fischer ..... D14/214  
D439,237 S \* 3/2001 Felix ..... D14/214  
D441,823 S \* 5/2001 Blackhurst ..... D21/797  
D552,081 S \* 10/2007 Yano ..... D13/110  
D553,120 S \* 10/2007 Yano ..... D13/110  
D642,555 S \* 8/2011 Hawkins ..... D14/214

D678,651 S \* 3/2013 Bartolome ..... D99/28  
D679,745 S \* 4/2013 Helgesson ..... D18/4.4  
D680,014 S \* 4/2013 Corso ..... D10/106.6  
D680,459 S \* 4/2013 Corso ..... D10/106.6  
D681,717 S \* 5/2013 Helgesson ..... D18/4.6  
D724,057 S \* 3/2015 Kim ..... D14/217  
D725,819 S \* 3/2015 Reynolds ..... D26/118

(Continued)

**FOREIGN PATENT DOCUMENTS**

JP 1276029 S 7/2006  
JP 1632926 S 6/2019

(Continued)

**OTHER PUBLICATIONS**

Notice of Reasons for Rejection for Japanese Application No. 2019-003070 dated Aug. 6, 2019 (2 pages).

(Continued)

*Primary Examiner* — Barbara Fox

*Assistant Examiner* — Aram Kwon

(74) *Attorney, Agent, or Firm* — Sheppard Mullin Richter & Hampton LLP

(57) **CLAIM**

The ornamental design for an information terminal for payment, as shown and described.

**DESCRIPTION**

FIG. 1 is a front view showing the information terminal for payment;

FIG. 2 is a rear view thereof;

FIG. 3 is a left-side view thereof;

FIG. 4 is a right-side view thereof;

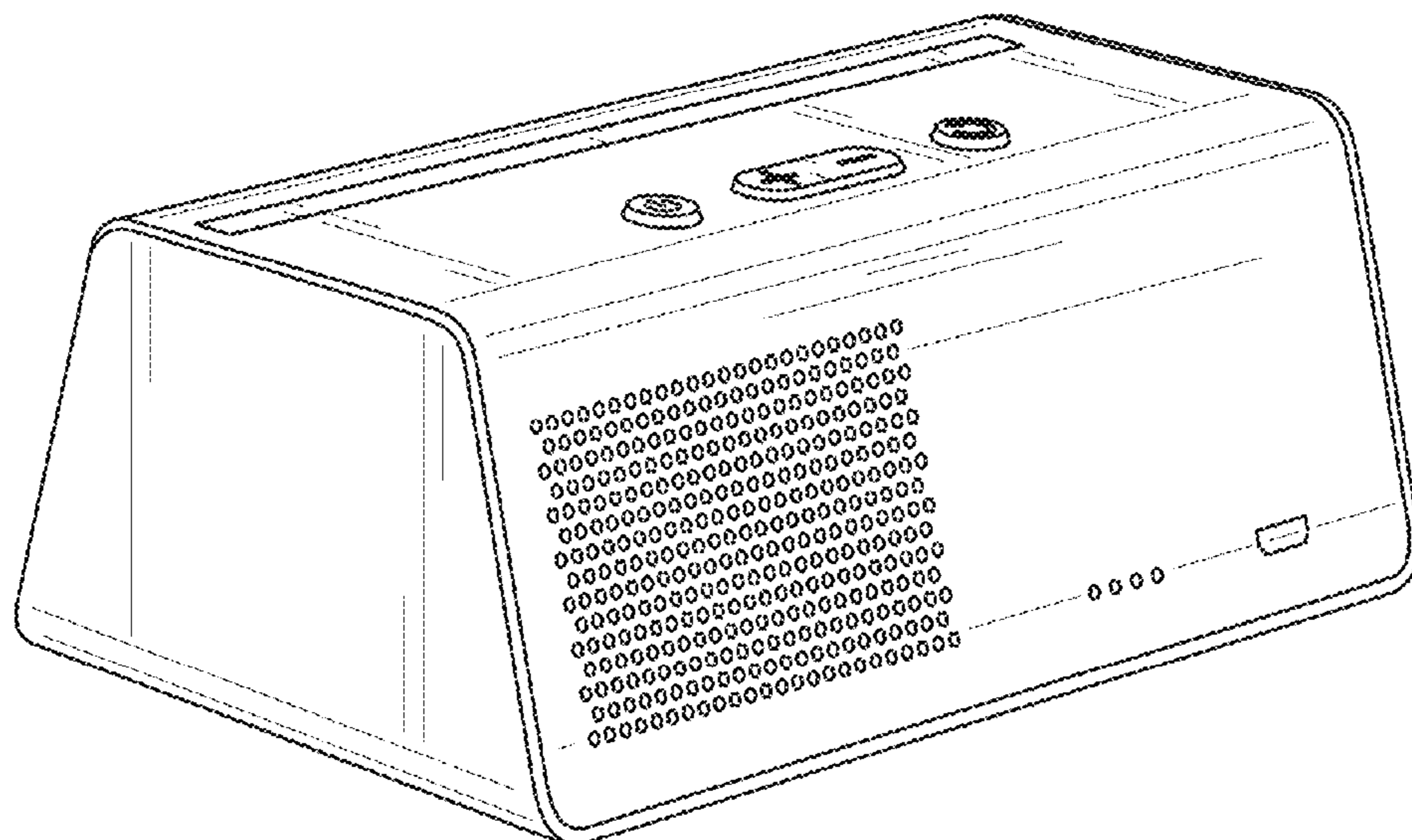
FIG. 5 is a top view thereof;

FIG. 6 is a bottom view thereof;

FIG. 7 is a rear-right perspective view thereof; and,

FIG. 8 is a front-right perspective view thereof.

**1 Claim, 4 Drawing Sheets**



(56)

**References Cited**

U.S. PATENT DOCUMENTS

D745,993 S \* 12/2015 Reynolds ..... D26/118  
D755,754 S \* 5/2016 Schwartz ..... D14/212  
D795,216 S \* 8/2017 Poandl ..... D14/172  
D839,264 S \* 1/2019 Nagano ..... D14/301  
D839,265 S \* 1/2019 Nagano ..... D14/301  
D879,858 S \* 3/2020 Hodge ..... G08B 13/19647  
D16/208

FOREIGN PATENT DOCUMENTS

JP 1634322 S 6/2019  
JP 1634323 S 6/2019  
JP 1638476 S 8/2019  
JP 1638951 8/2019  
KR 3020180030254 \* 1/2019

OTHER PUBLICATIONS

Decision for Grant for Japanese Application No. 2019-003070 dated  
Oct. 1, 2019 (2 pages).

\* cited by examiner

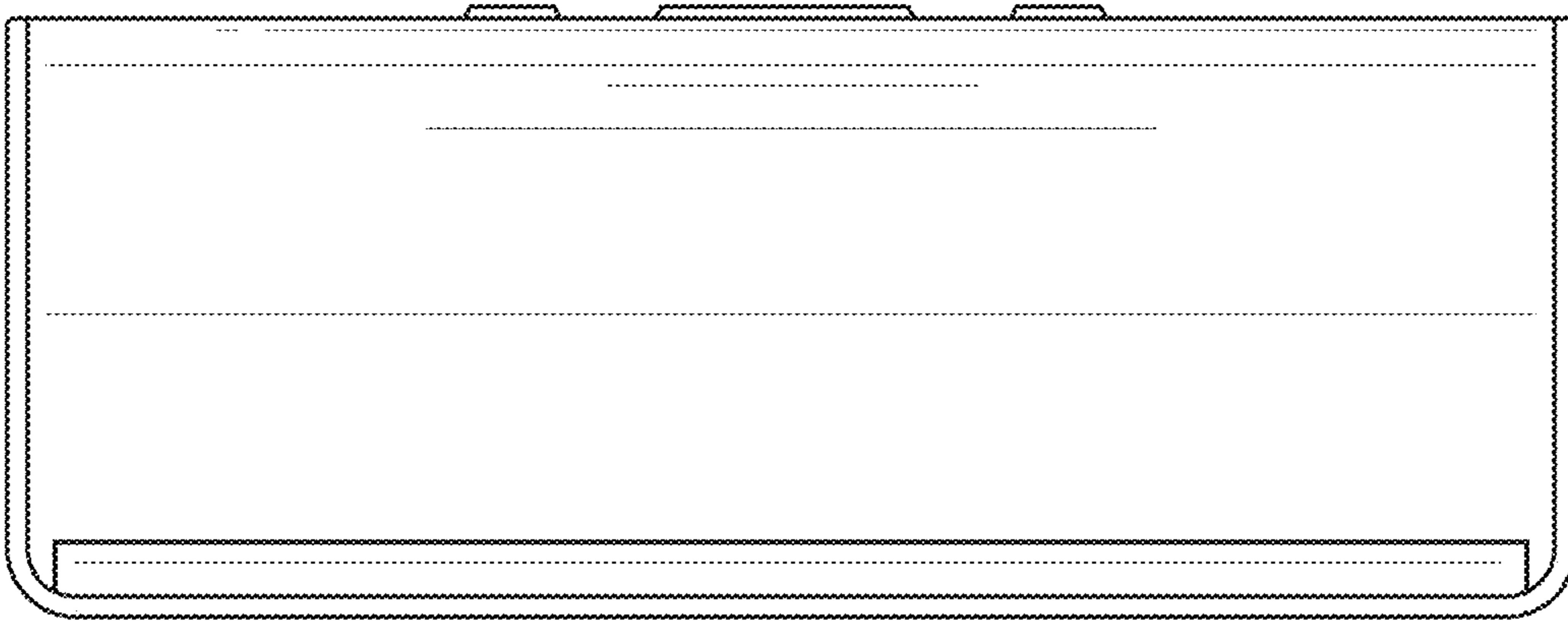


FIG. 1

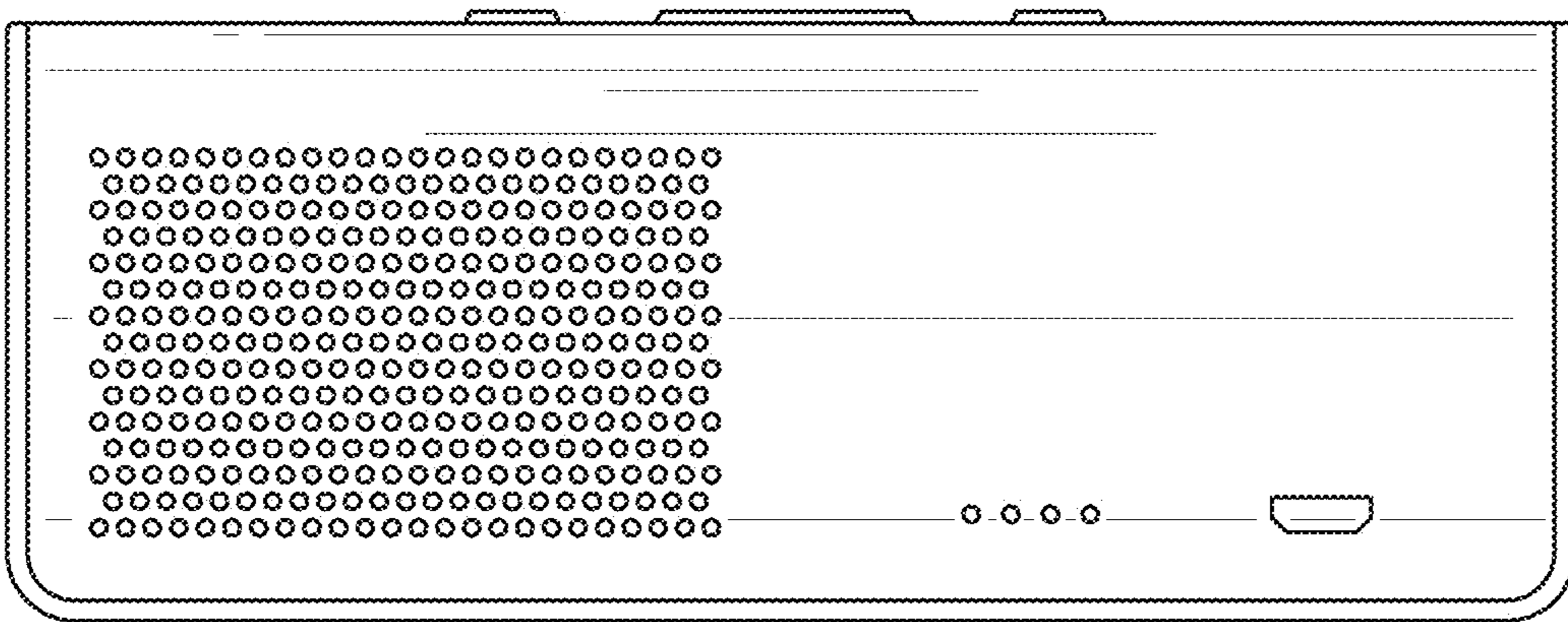


FIG. 2

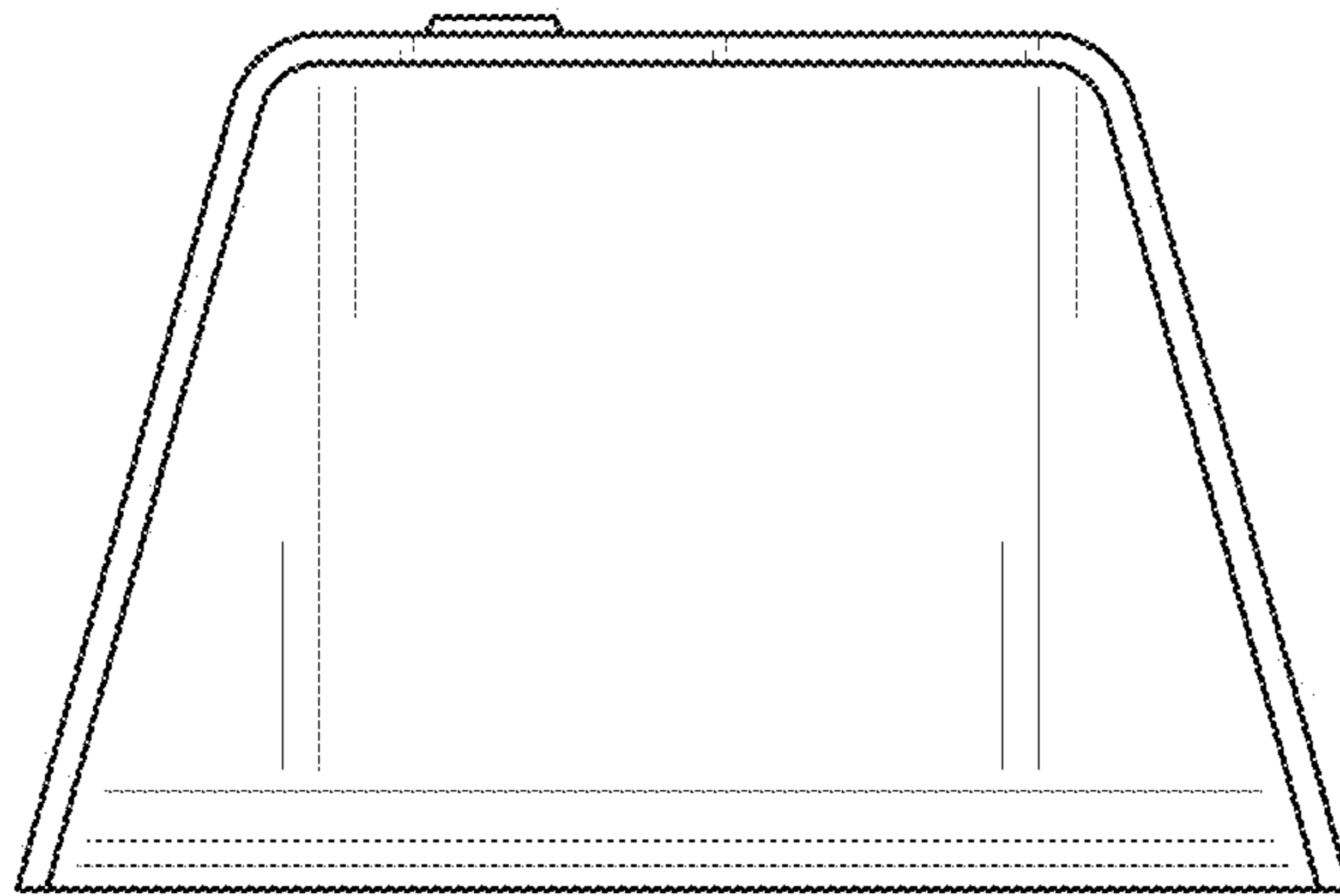


FIG. 3

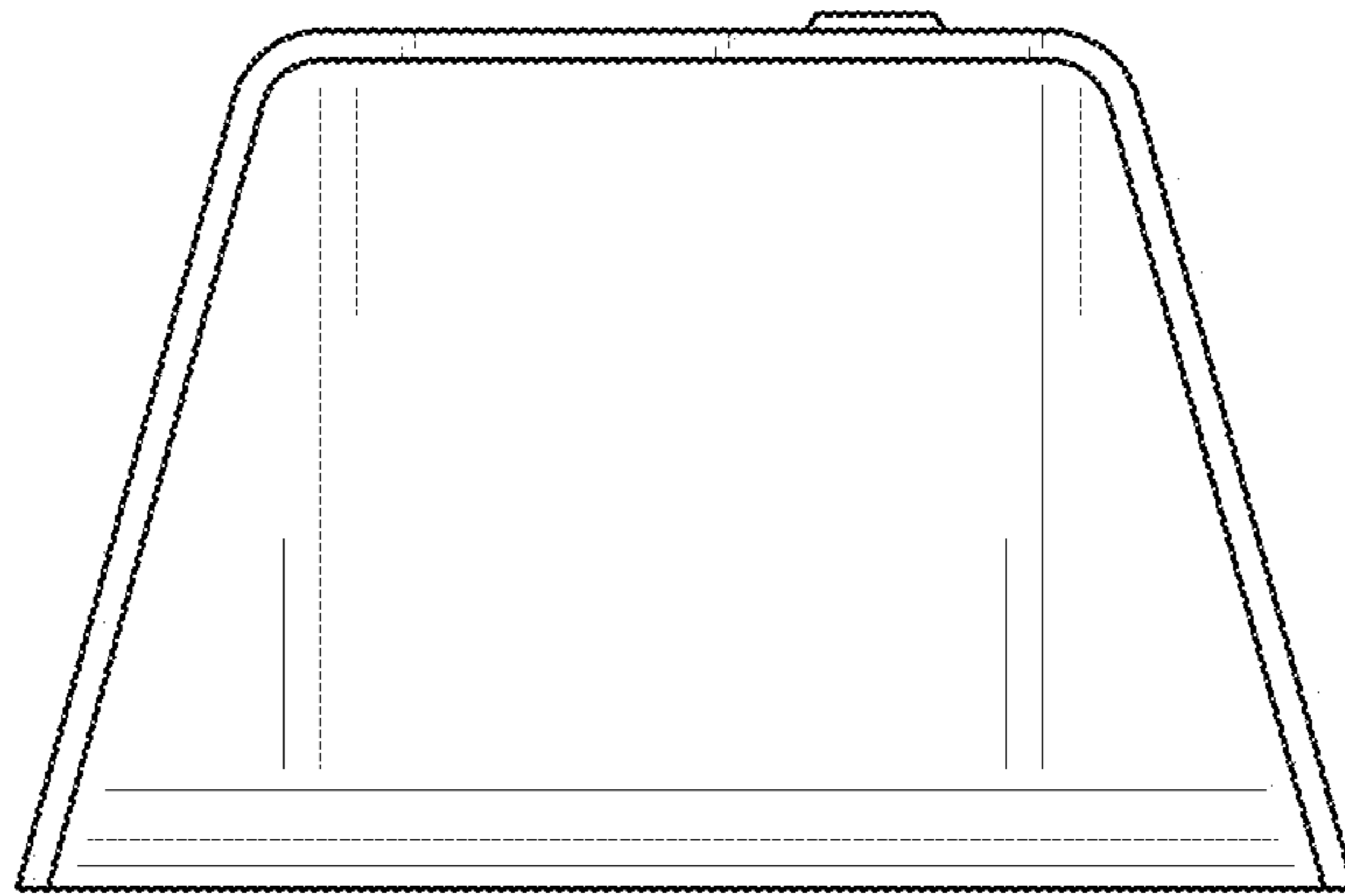


FIG. 4

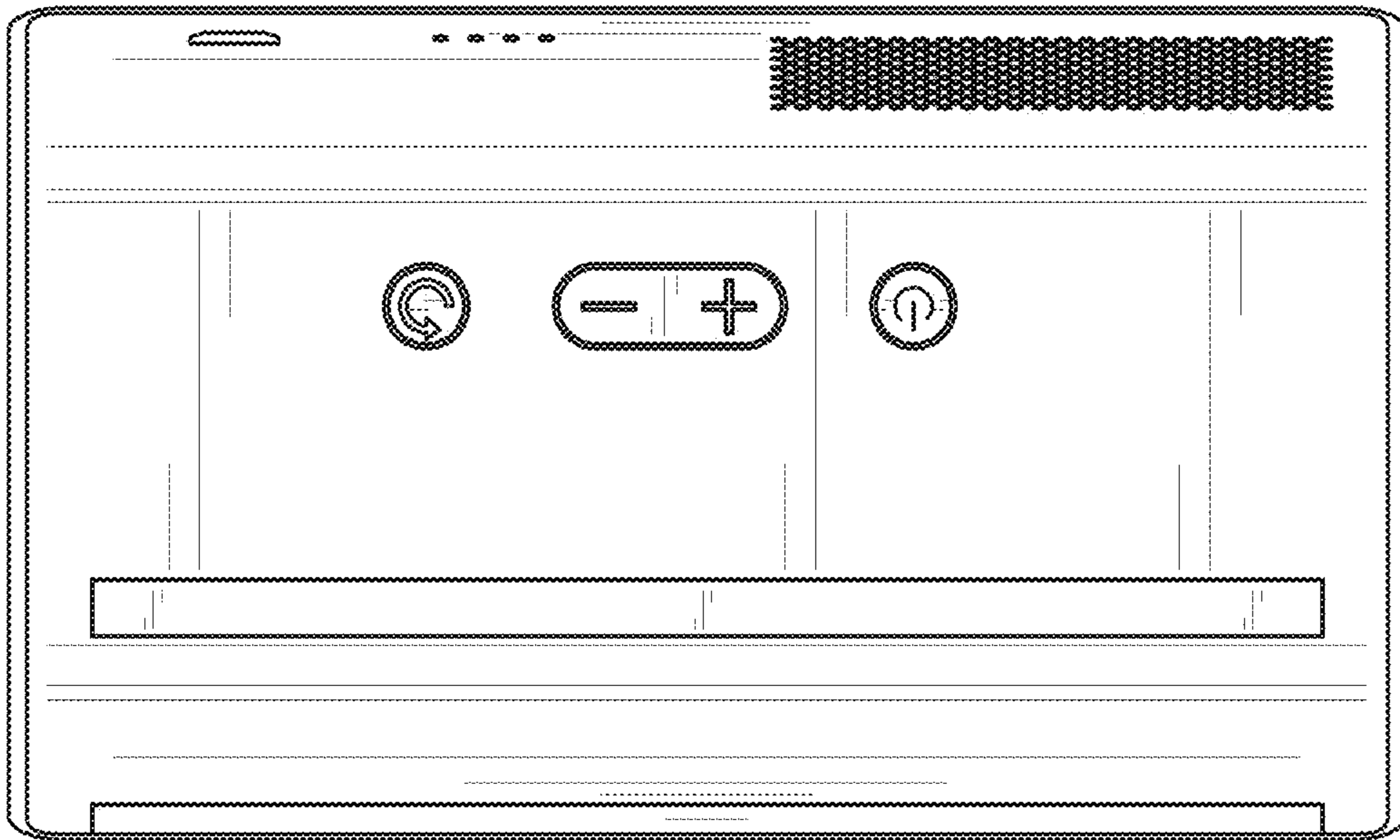


FIG. 5

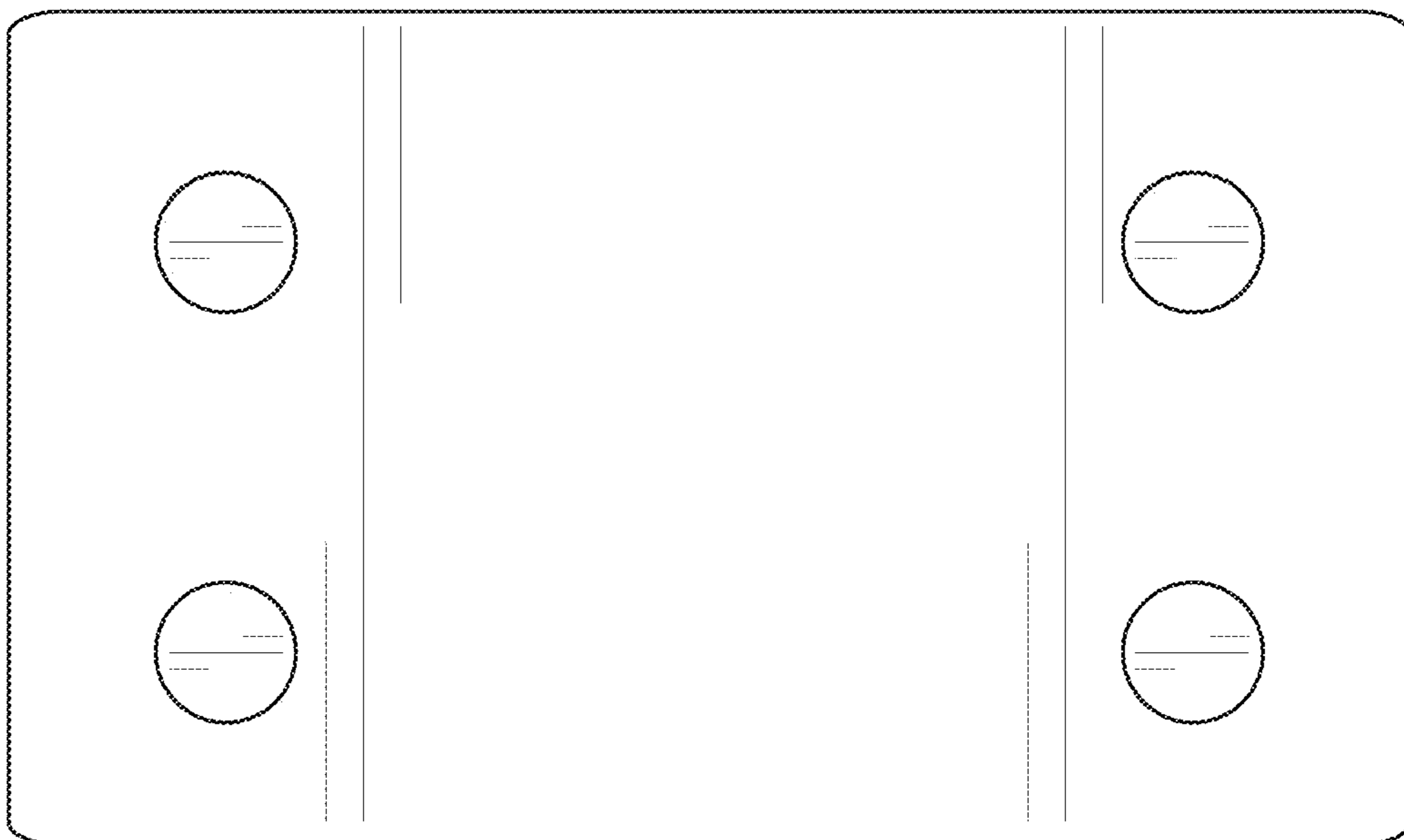


FIG. 6

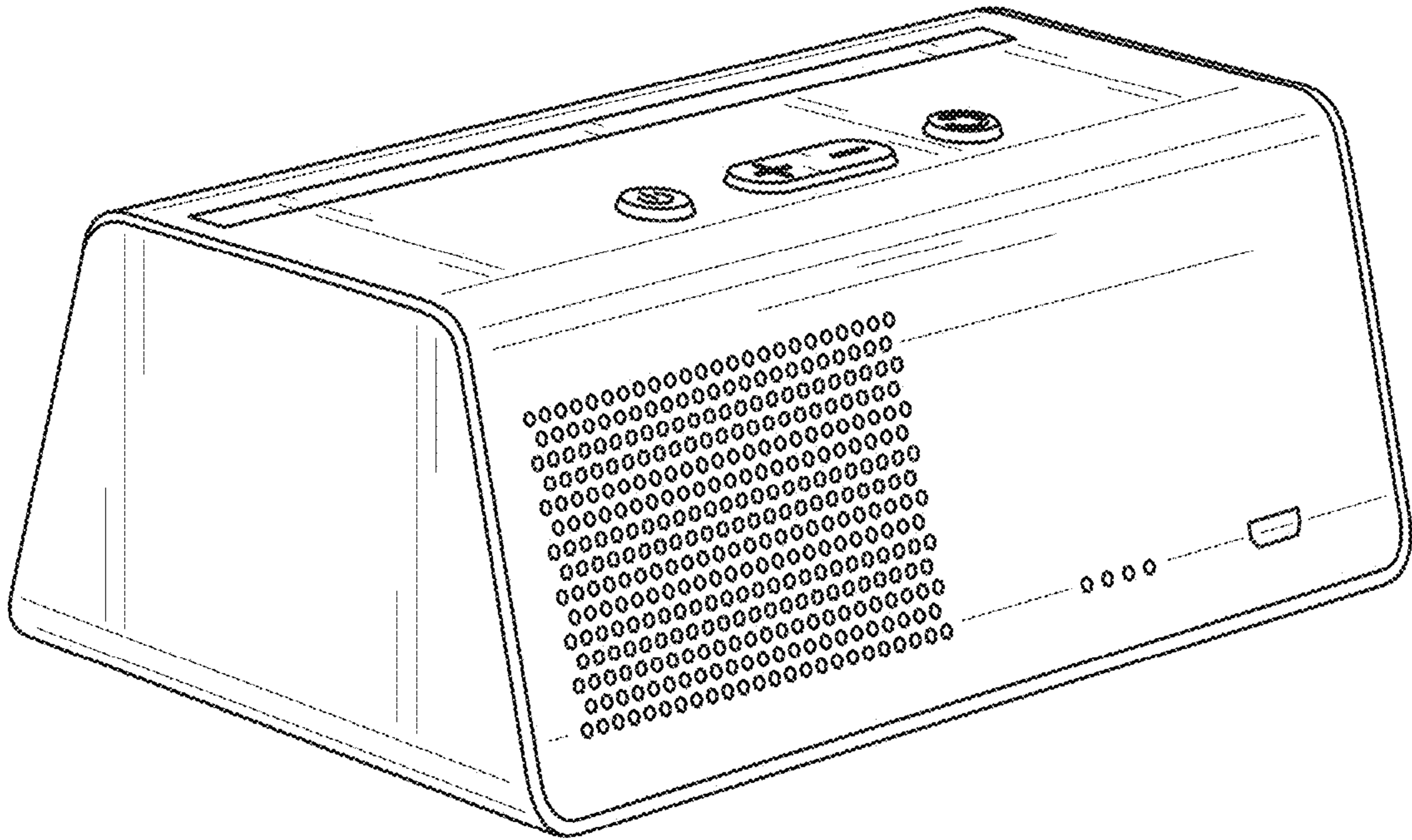


FIG. 7

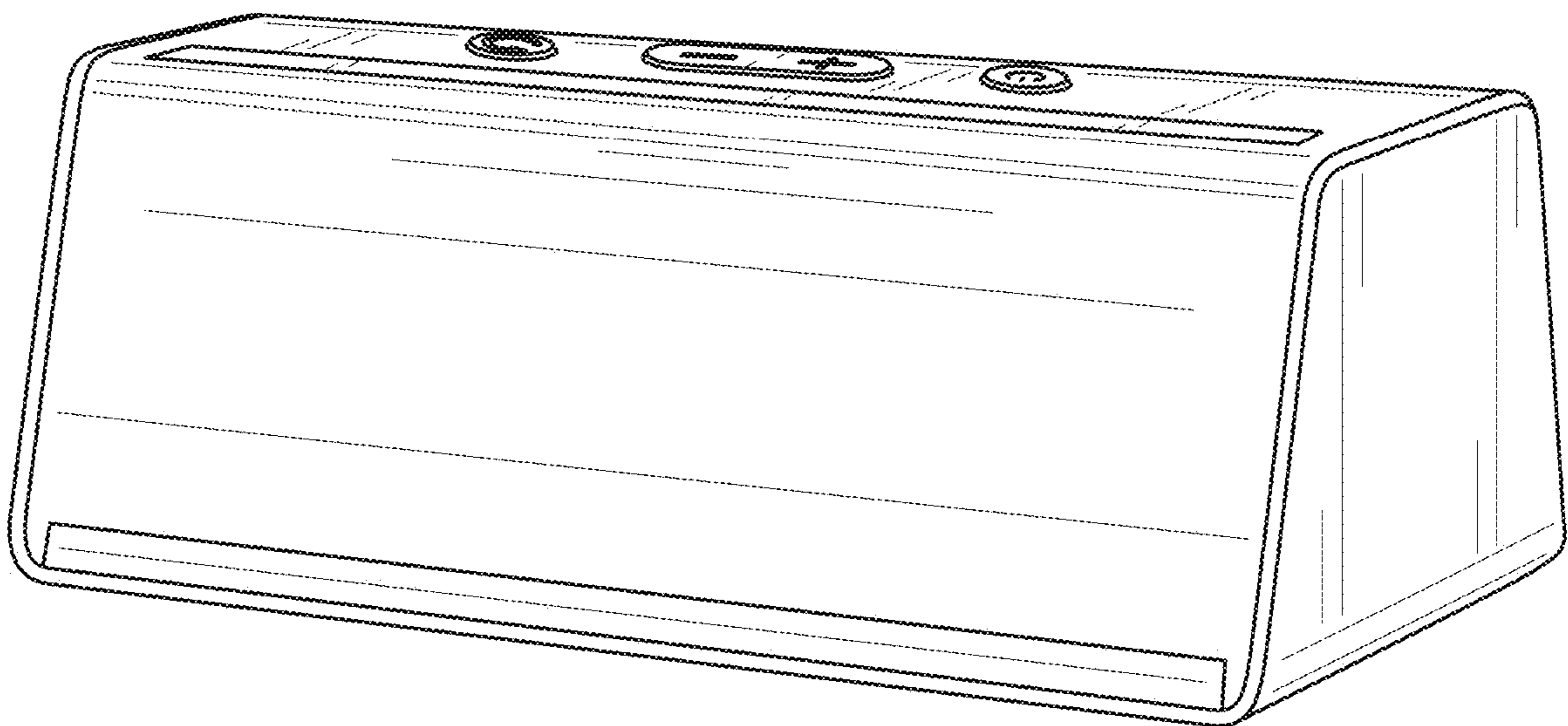


FIG. 8