



US00D894148S

(12) **United States Design Patent**
Li et al.

(10) **Patent No.:** **US D894,148 S**

(45) **Date of Patent:** **** Aug. 25, 2020**

(54) **INFORMATION TERMINAL FOR PAYMENT**

(71) Applicant: **ALIBABA GROUP HOLDING LIMITED**, Grand Cayman (KY)

(72) Inventors: **Xuelong Li**, Hangzhou (CN); **Le Zhou**, Hangzhou (CN)

(73) Assignee: **Alibaba Group Holding Limited**, Grand Cayman (KY)

(**) Term: **15 Years**

(21) Appl. No.: **29/680,331**

(22) Filed: **Feb. 14, 2019**

(30) **Foreign Application Priority Data**

Aug. 16, 2018 (CN) 2018 3 0455303

(51) **LOC (12) Cl.** **14-01**

(52) **U.S. Cl.**
USPC **D14/172; D14/204; D18/4.4**

(58) **Field of Classification Search**
USPC D14/204, 209, 210, 215, 216, 172, 300,
D14/301, 302, 314, 383; D18/4.4, 4.5,
D18/4.6, 12
CPC .. G10K 13/00; G10K 9/13; H01F 1/03; H01F
3/10; H01F 7/0289

See application file for complete search history.

(56) **References Cited**

U.S. PATENT DOCUMENTS

3,259,153 A * 7/1966 Haase B65D 43/163
141/110
D253,819 S * 1/1980 Gillum D14/214
D394,263 S * 5/1998 Fischer D14/214
D439,237 S * 3/2001 Felix D14/214
D441,823 S * 5/2001 Blackhurst D21/797
D552,081 S * 10/2007 Yano D13/110
D553,120 S * 10/2007 Yano D13/110
D642,555 S * 8/2011 Hawkins D14/214
D678,651 S * 3/2013 Bartolome D99/28

D679,745 S * 4/2013 Helgesson D18/4.4
D680,014 S * 4/2013 Corso D10/106.6
D680,459 S * 4/2013 Corso D10/106.6
D681,717 S * 5/2013 Helgesson D18/4.6
D724,057 S * 3/2015 Kim D14/217
D725,819 S * 3/2015 Reynolds D26/118
D745,993 S * 12/2015 Reynolds D26/118
D755,754 S * 5/2016 Schwartz D14/212
D795,216 S * 8/2017 Poandl D14/172
D839,264 S * 1/2019 Nagano D14/301

(Continued)

FOREIGN PATENT DOCUMENTS

JP 1276029 S 7/2006
KR 3020180030254 * 1/2019

OTHER PUBLICATIONS

Decision for Grant for Japanese Design Application No. 2019-003072 dated Jun. 11, 2019 (2 pages).

Primary Examiner — Barbara Fox

Assistant Examiner — Aram Kwon

(74) *Attorney, Agent, or Firm* — Sheppard Mullin Richter & Hampton LLP

(57) **CLAIM**

The ornamental design for an information terminal for payment, as shown and described.

DESCRIPTION

FIG. 1 is a front view showing the information terminal for payment;

FIG. 2 is a rear view thereof;

FIG. 3 is a left-side view thereof;

FIG. 4 is a right-side view thereof;

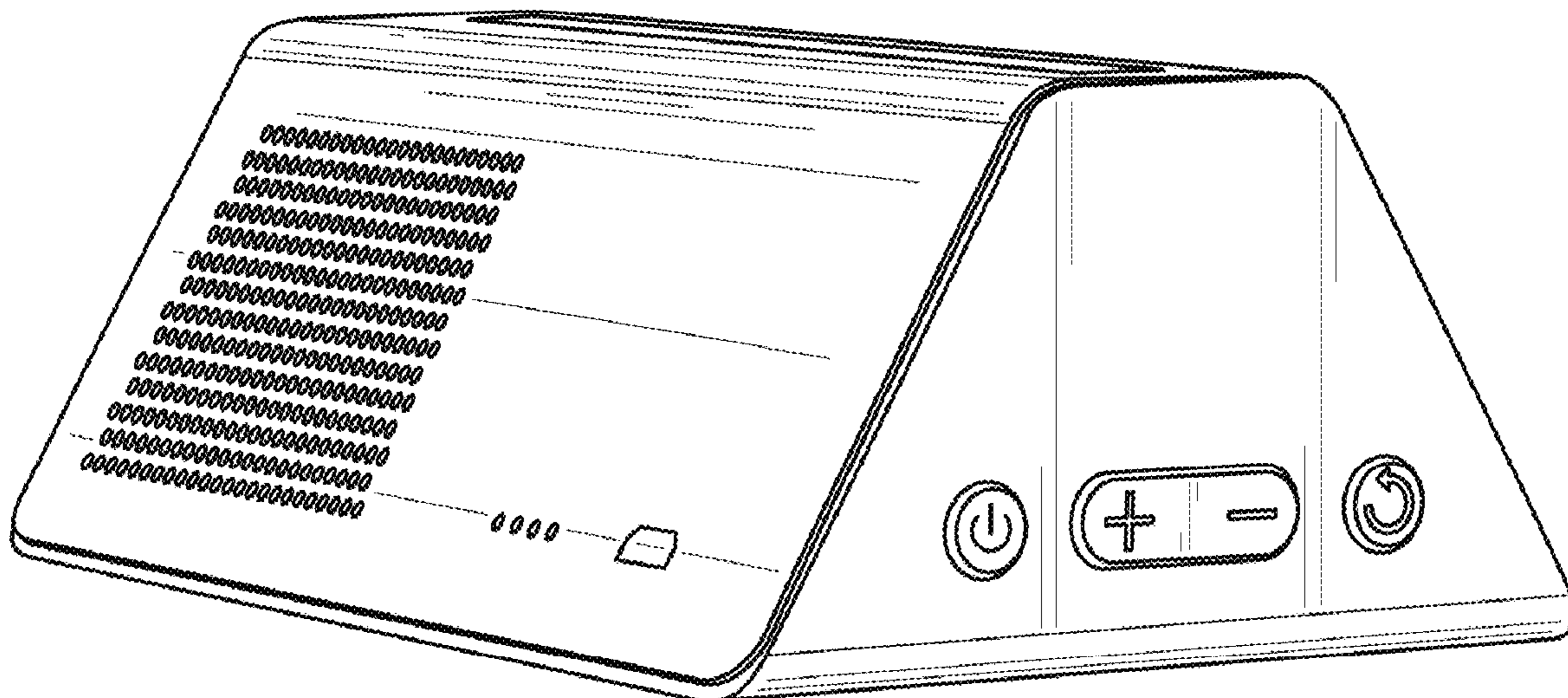
FIG. 5 is a top view thereof;

FIG. 6 is a bottom view thereof;

FIG. 7 is a rear-left perspective view thereof; and,

FIG. 8 is a front-right perspective view thereof.

1 Claim, 4 Drawing Sheets



(56)

References Cited

U.S. PATENT DOCUMENTS

D839,265 S * 1/2019 Nagano D14/301
D879,858 S * 3/2020 Hodge G08B 13/19647
D16/208

* cited by examiner

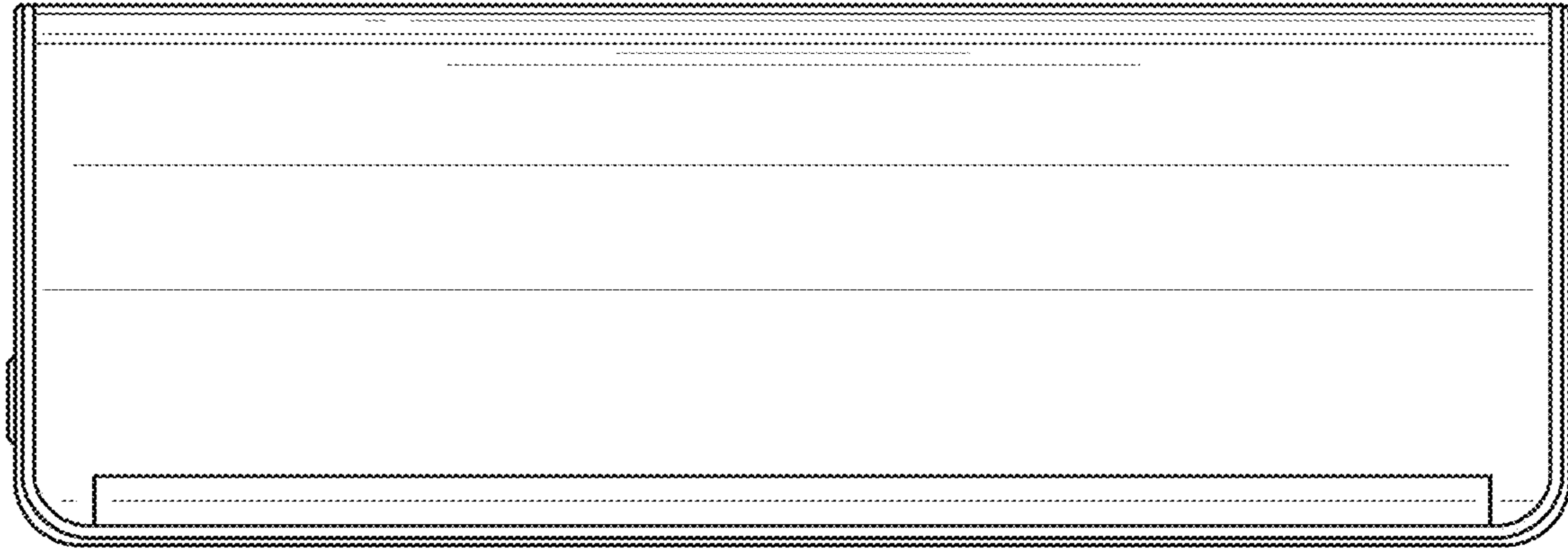


FIG. 1

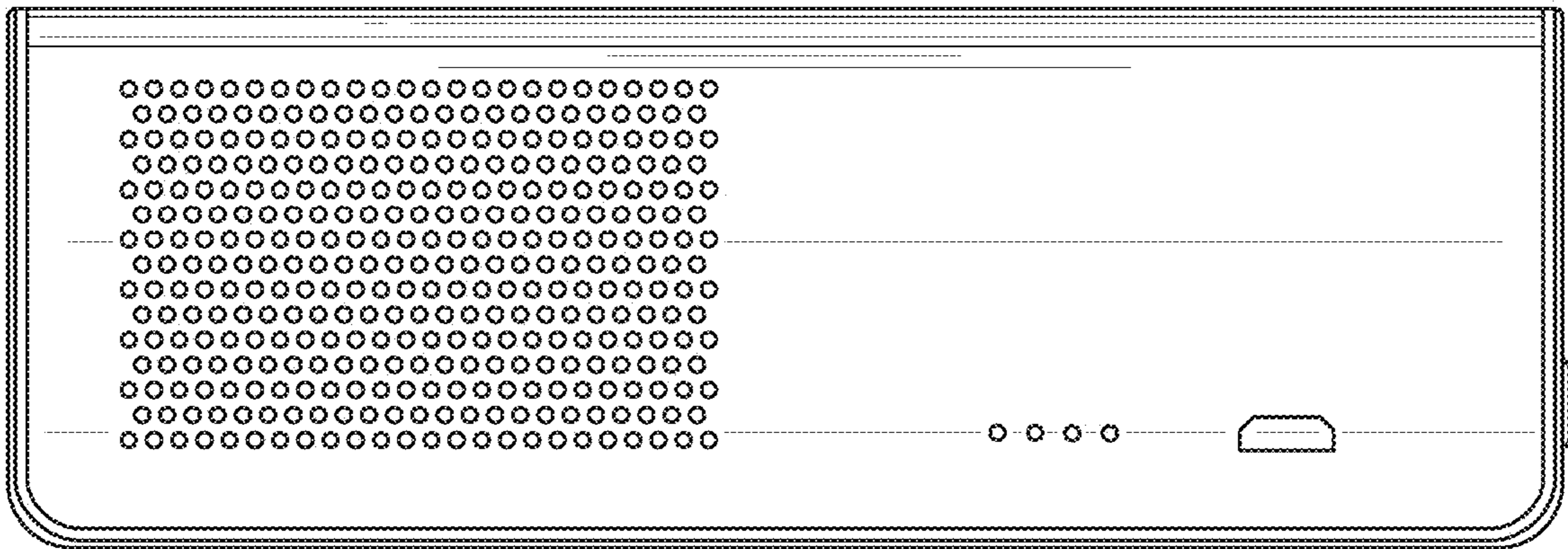


FIG. 2

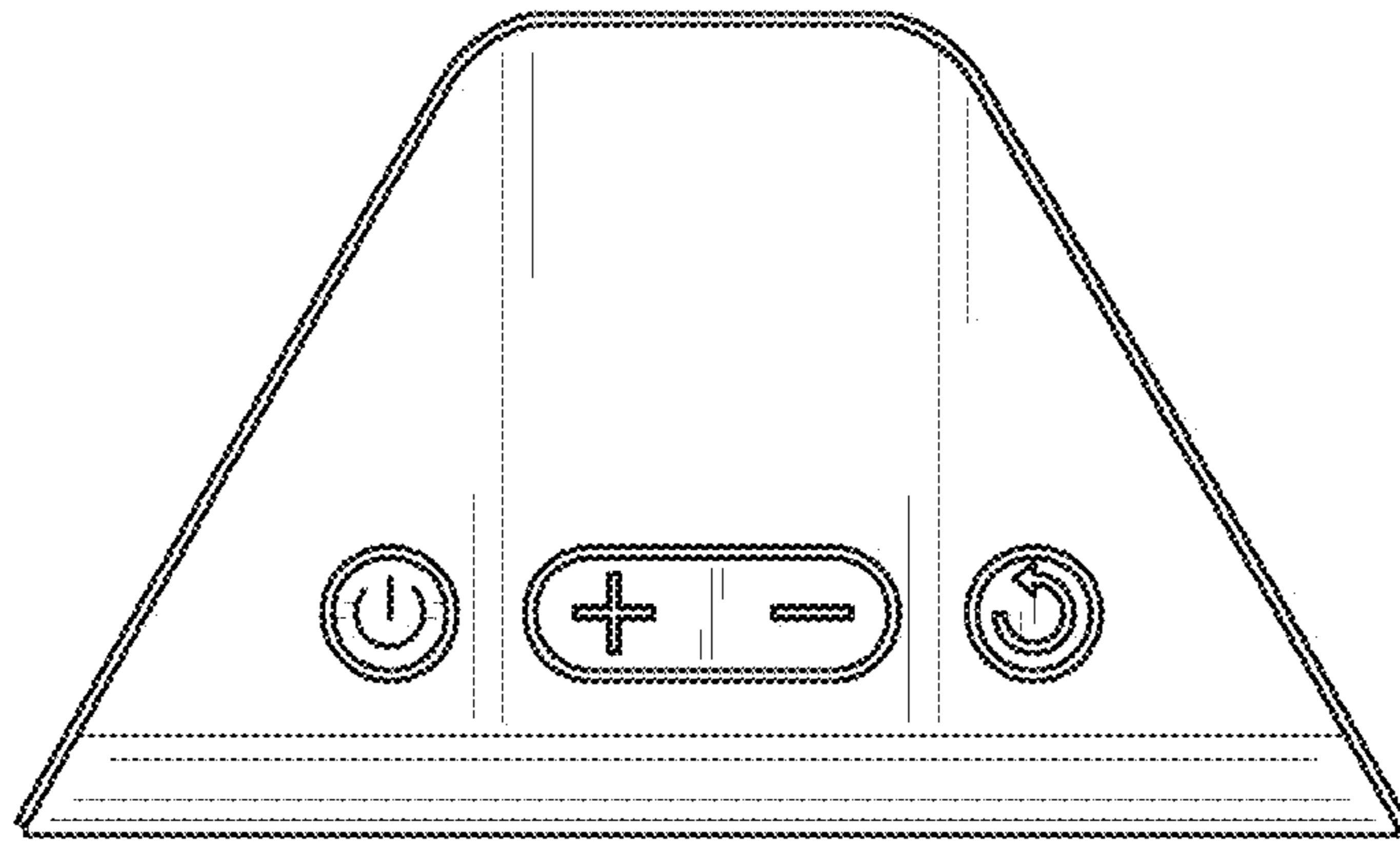


FIG. 3

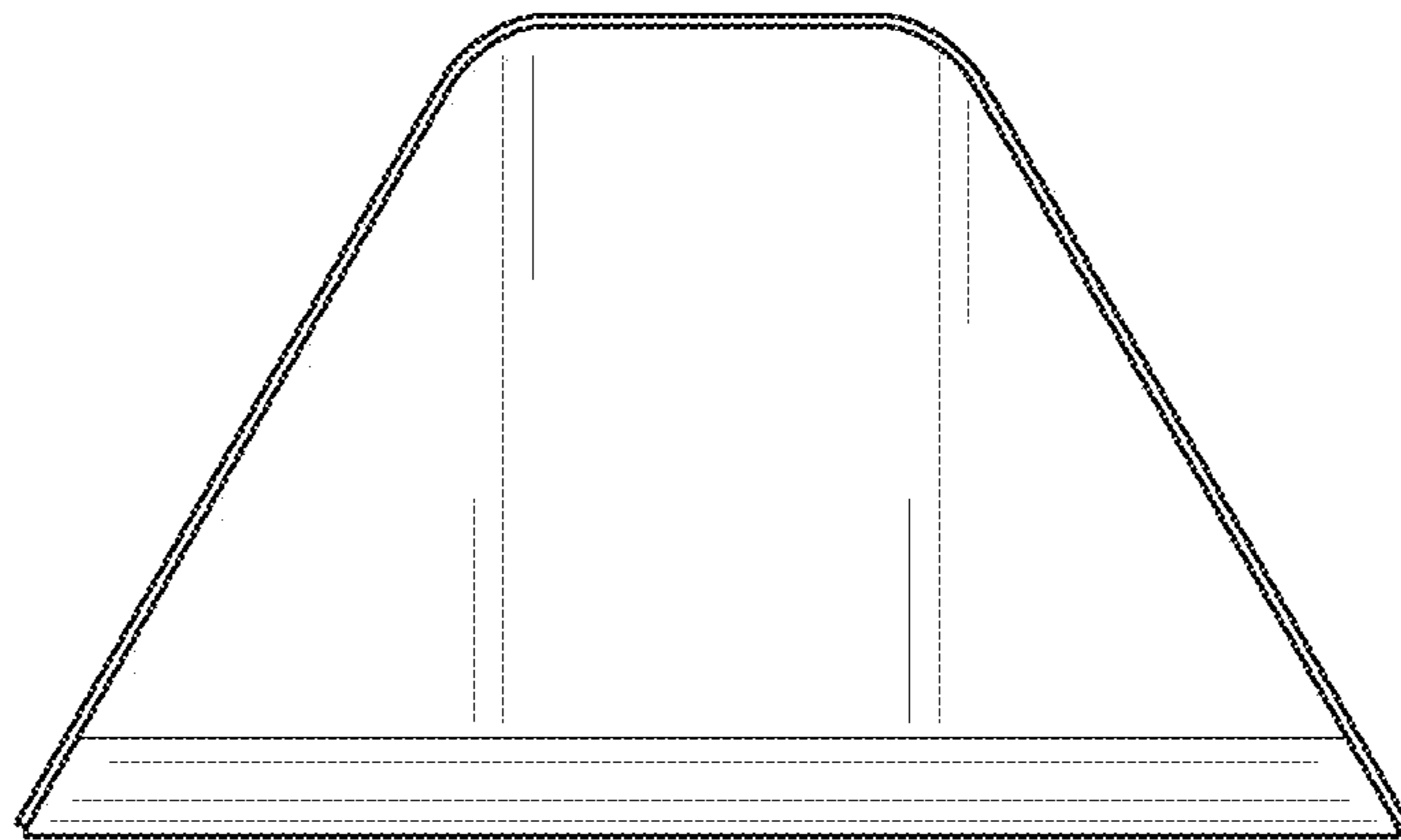


FIG. 4

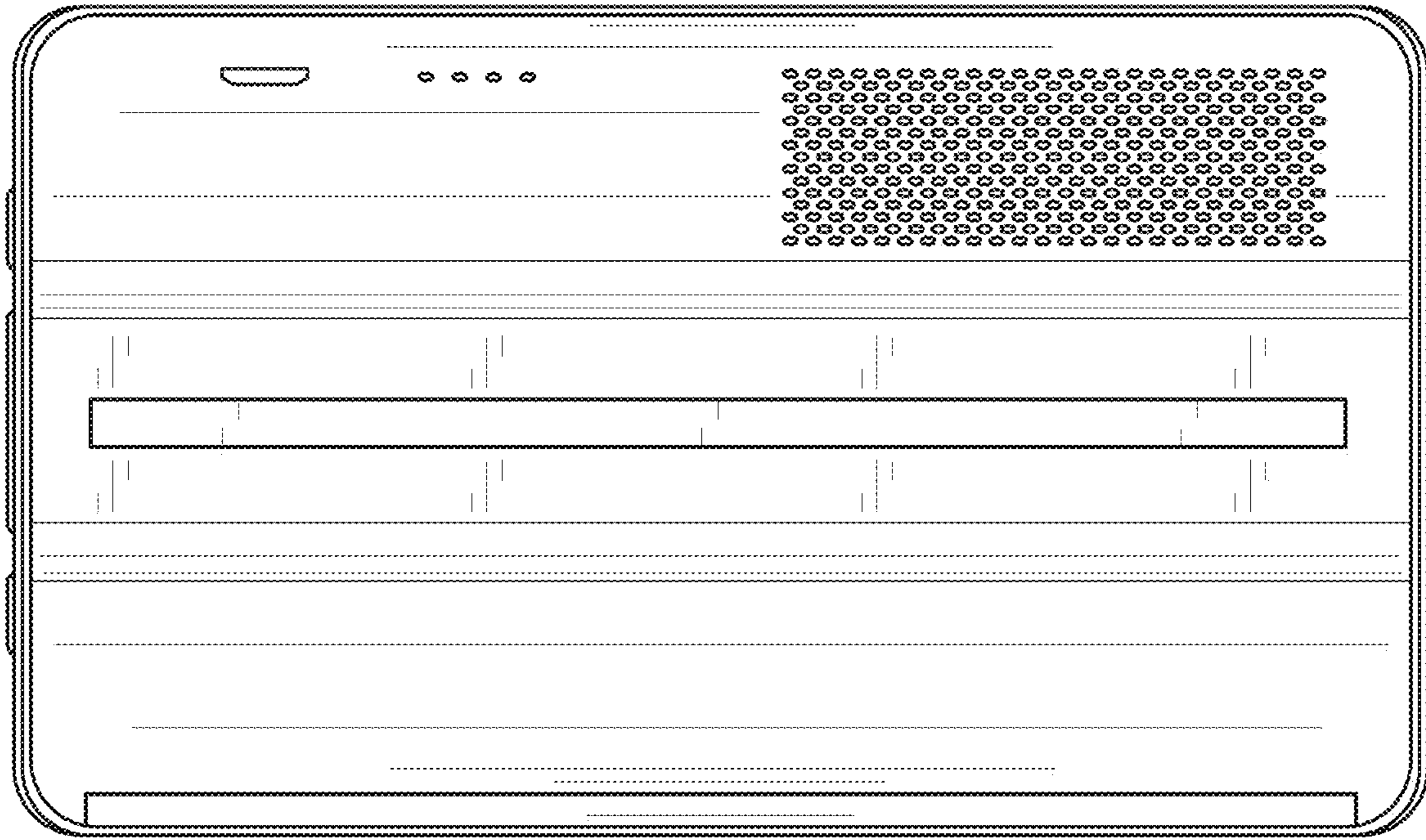


FIG. 5

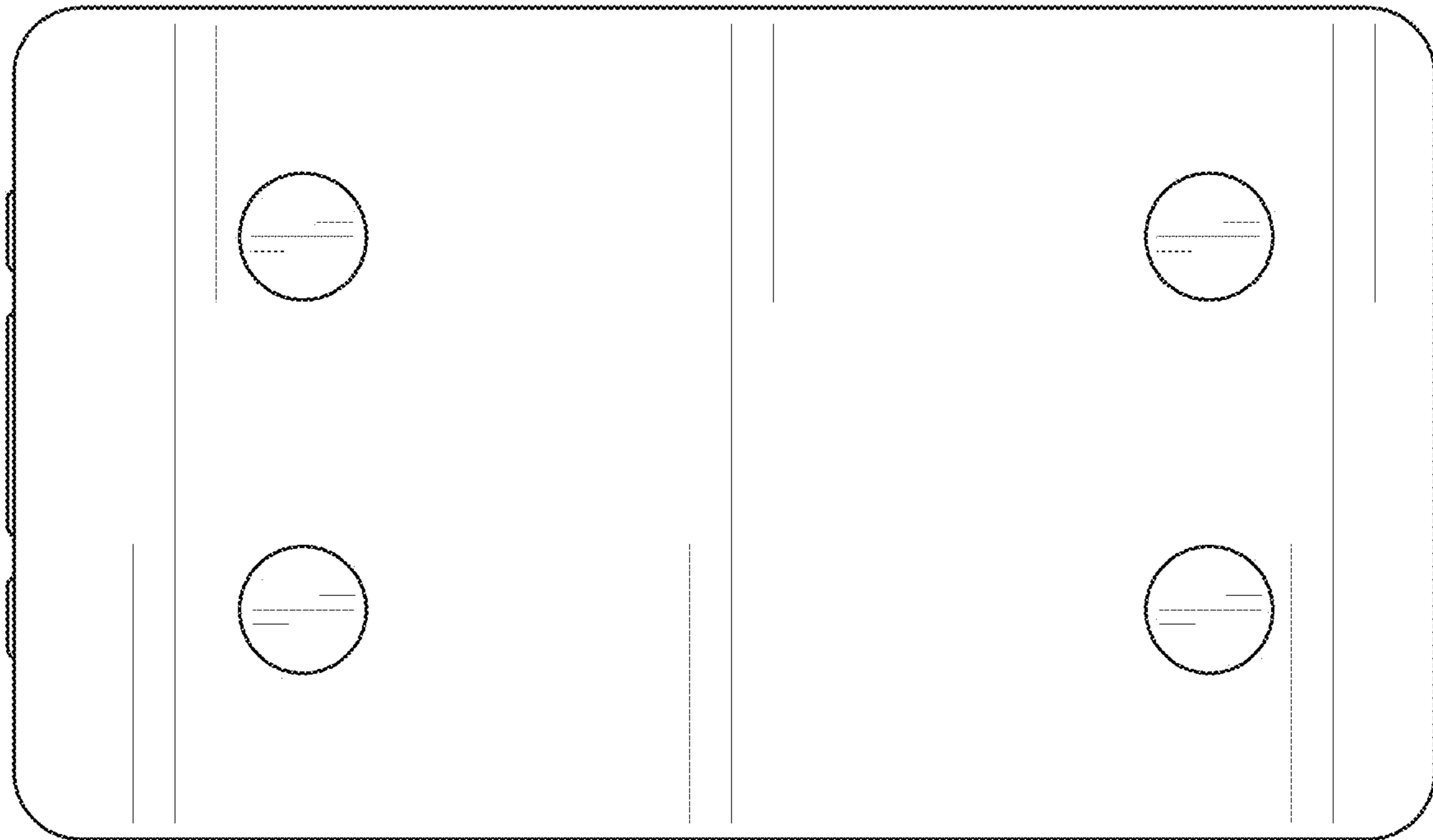


FIG. 6

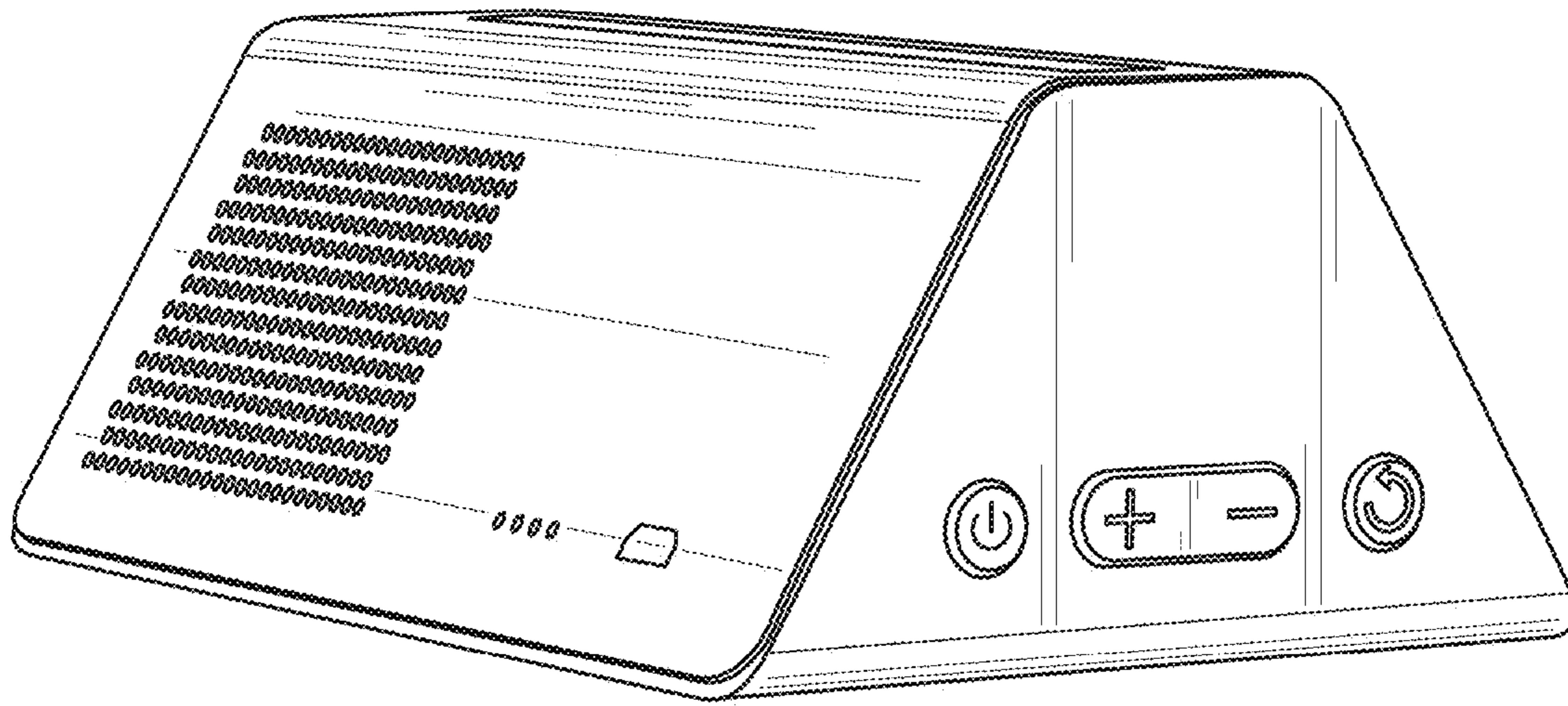


FIG. 7

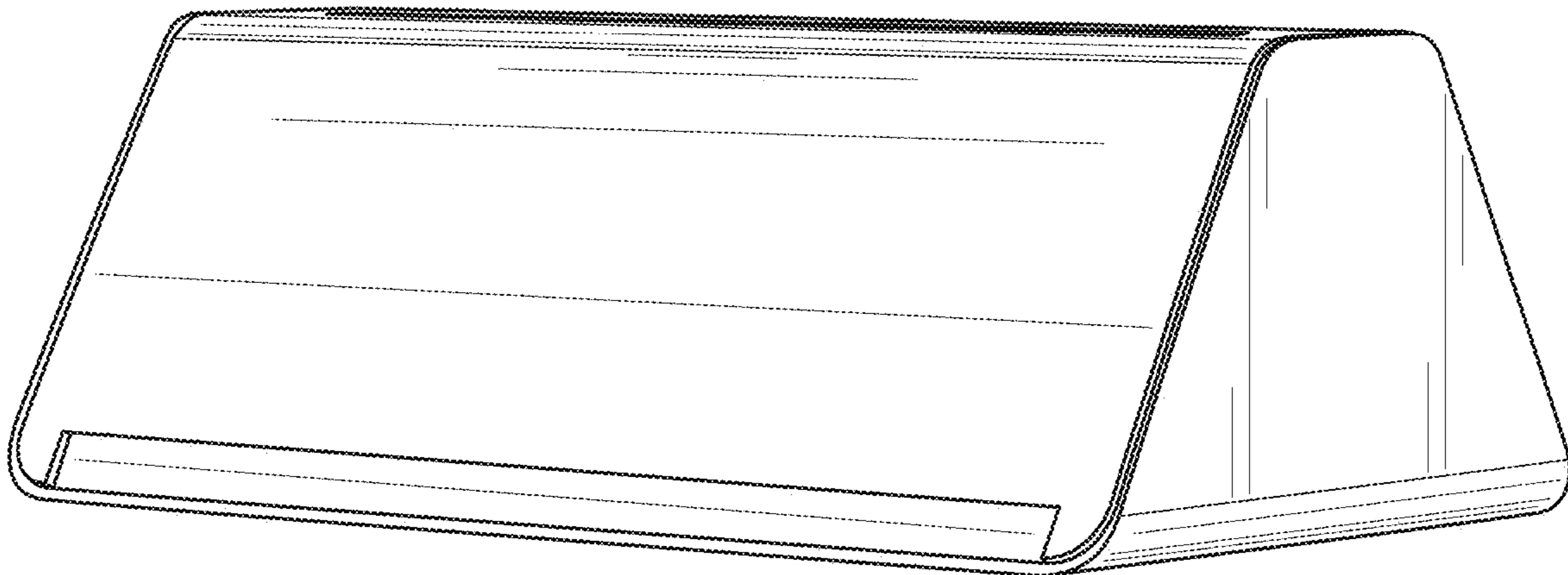


FIG. 8