



US00D894147S

(12) **United States Design Patent**  
**Wang et al.**

(10) **Patent No.:** **US D894,147 S**  
(45) **Date of Patent:** **\*\* Aug. 25, 2020**

(54) **MULTIMEDIA COMMUNICATION  
TERMINAL**

(71) Applicant: **Shenzhen eMeet Technology Co., Ltd.,  
Shenzhen (CN)**

(72) Inventors: **Xuanlin Wang, Shenzhen (CN);  
Zhoujin LV, Shenzhen (CN)**

(73) Assignee: **Shenzhen eMeet Technology Co., Ltd.,  
Shenzhen (CN)**

(\*\*) Term: **15 Years**

(21) Appl. No.: **29/706,235**

(22) Filed: **Sep. 19, 2019**

(51) **LOC (12) Cl.** ..... **14-03**

(52) **U.S. Cl.**  
USPC ..... **D14/149; D14/240; D14/172; D14/496**

(58) **Field of Classification Search**  
USPC ..... D14/125–130, 142, 144, 147, 149, 150,  
D14/155, 168, 172, 185, 188, 203.1,  
D14/203.3, 203.6, 203.8, 204, 206, 209.1,  
D14/212, 216, 217, 221, 240, 314, 356,  
D14/357, 358, 432, 439, 496  
CPC ..... H04N 7/15; H04M 1/04; H04M 3/56;  
H04M 3/567; H04M 9/02; H04M 9/022;  
H04M 9/08; H04R 1/00; H04R 1/02;  
H04R 1/345; H04R 1/403; H04R 27/00;  
G06F 1/1688

See application file for complete search history.

(56) **References Cited**

**U.S. PATENT DOCUMENTS**

D334,193 S \* 3/1993 Jewitt ..... D14/213  
D364,165 S \* 11/1995 Esslinger ..... D14/213  
6,606,384 B1 \* 8/2003 Kruse ..... H04M 1/02  
348/E7.079  
D534,525 S \* 1/2007 Peng ..... D14/216  
D563,391 S \* 3/2008 Skurdal ..... D14/172  
D582,941 S \* 12/2008 Sawai ..... D14/496

D583,826 S \* 12/2008 Sawai ..... D14/496  
D586,781 S \* 2/2009 Kim ..... D14/211  
D598,932 S \* 8/2009 Ryu ..... D14/203.3  
D606,962 S \* 12/2009 Wada ..... D14/149  
D667,389 S \* 9/2012 Yokoyama ..... D14/204  
D686,186 S \* 7/2013 Kaneko ..... D14/168  
D737,787 S \* 9/2015 Leung ..... D14/125  
D737,788 S \* 9/2015 Leung ..... D14/125  
D737,789 S \* 9/2015 Leung ..... D14/125

(Continued)

**OTHER PUBLICATIONS**

Owl Labs Meeting OWL Pro 360 Degree 1080p Smart Video Conference Camera (White), online, no post date, URL: [https://www.bhphotovideo.com/c/product/1529936-REG/owl\\_labs\\_mtw200\\_1000\\_meeting\\_owl\\_pro\\_360.html](https://www.bhphotovideo.com/c/product/1529936-REG/owl_labs_mtw200_1000_meeting_owl_pro_360.html), retrieved Jul. 2, 2020.\*

*Primary Examiner* — Jeffrey D Asch

*Assistant Examiner* — Rebekah A Caruso

(74) *Attorney, Agent, or Firm* — Westbridge IP LLC

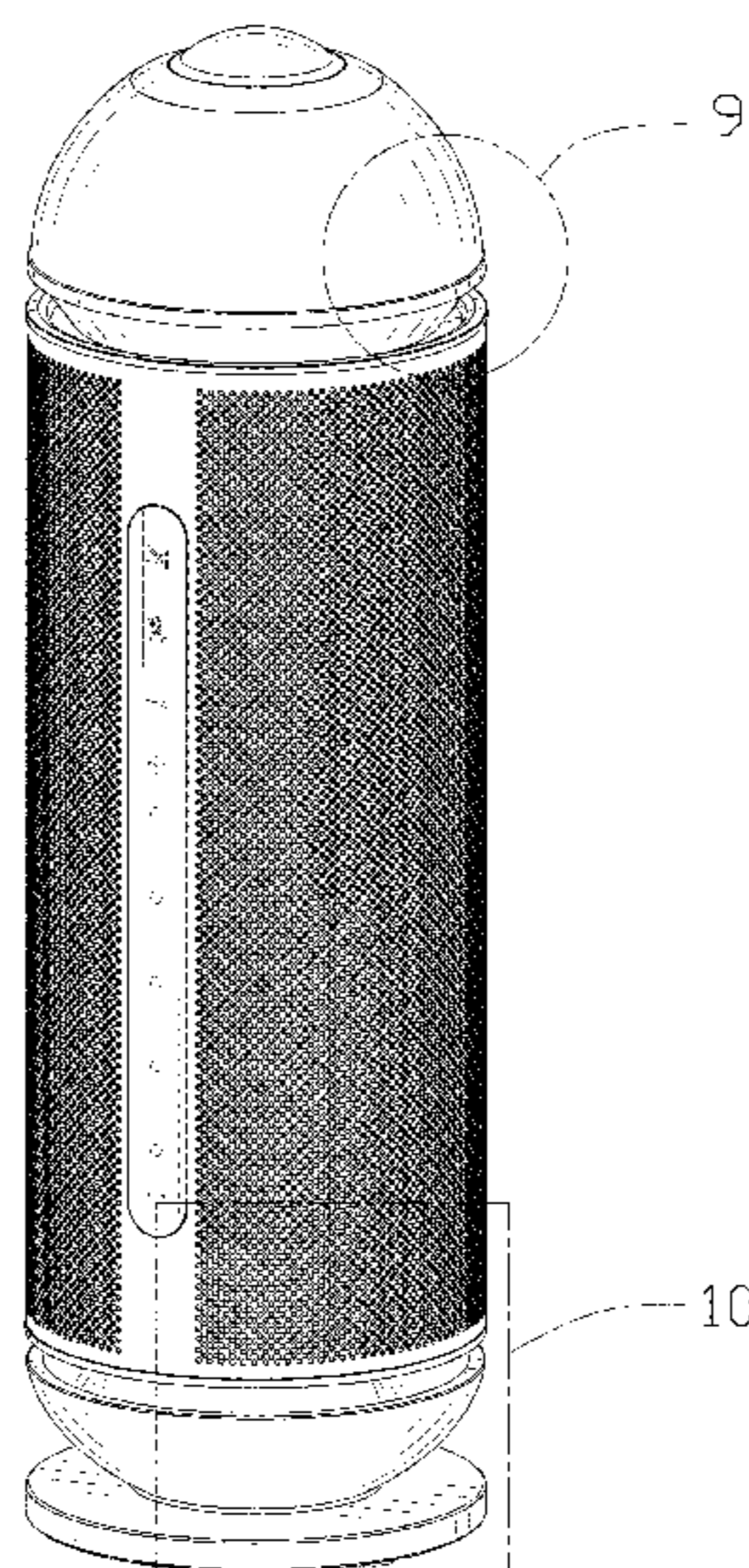
(57) **CLAIM**

The ornamental design for a multimedia communication terminal, as shown and described.

**DESCRIPTION**

FIG. 1 is a front elevational view of a multimedia communication terminal showing our new design; FIG. 2 is a rear elevational view thereof; FIG. 3 is a left side view thereof; FIG. 4 is a right side view thereof; FIG. 5 is a top plan view thereof; FIG. 6 is a bottom plan view thereof; FIG. 7 is a front, right and top side perspective view thereof; FIG. 8 is an enlarged view of a portion 8 in FIG. 1; FIG. 9 is an enlarged view of a portion 9 in FIG. 7; and, FIG. 10 is an enlarged view of a portion 10 in FIG. 7. The evenly broken lines in the drawings illustrate portions of the article that form no part of the claim.

**1 Claim, 10 Drawing Sheets**



(56)

**References Cited**

U.S. PATENT DOCUMENTS

D766,213	S	*	9/2016	Hinokio .....	D14/216
D766,878	S	*	9/2016	Park .....	D14/216
D767,536	S	*	9/2016	Park .....	D14/216
D770,418	S	*	11/2016	Hong .....	D14/216
D771,141	S	*	11/2016	Langhammer .....	D14/496
D810,783	S	*	2/2018	Langhammer .....	D14/496
D814,436	S	*	4/2018	Wen .....	D14/150
D828,323	S	*	9/2018	Demin .....	D14/172
D846,598	S	*	4/2019	Wang .....	D14/496
D853,354	S	*	7/2019	Demin .....	D14/211

\* cited by examiner

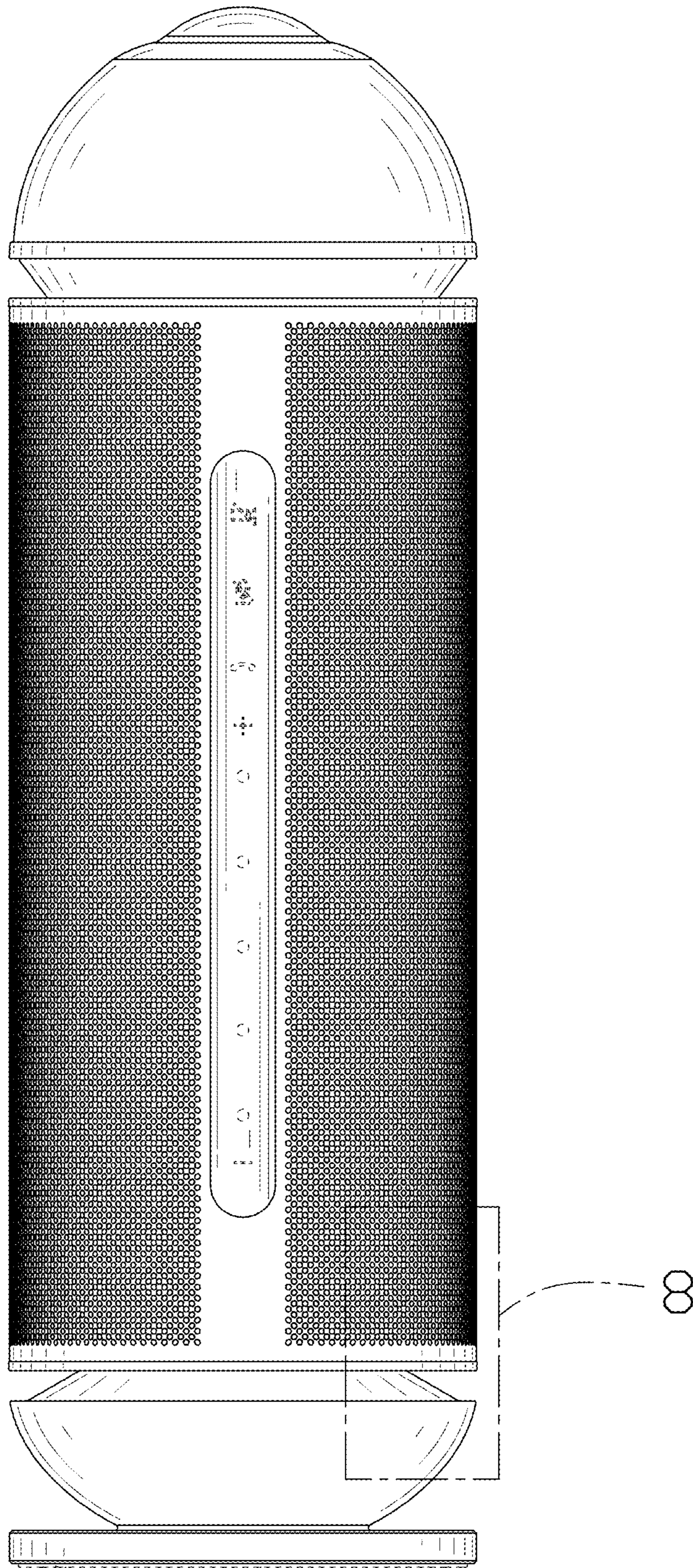


FIG. 1

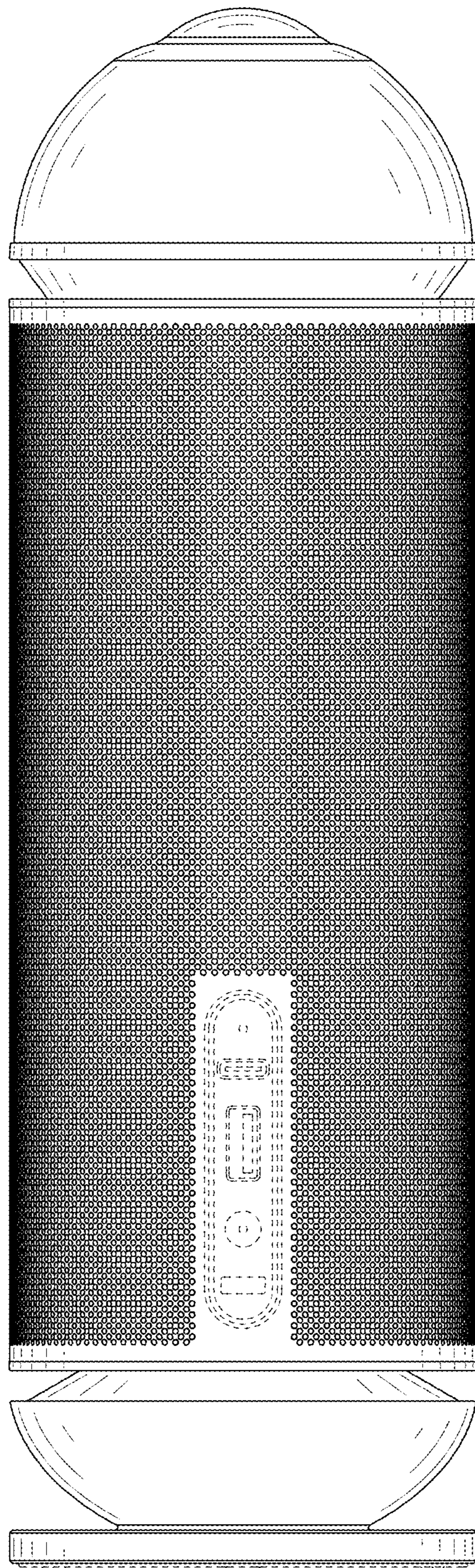


FIG. 2

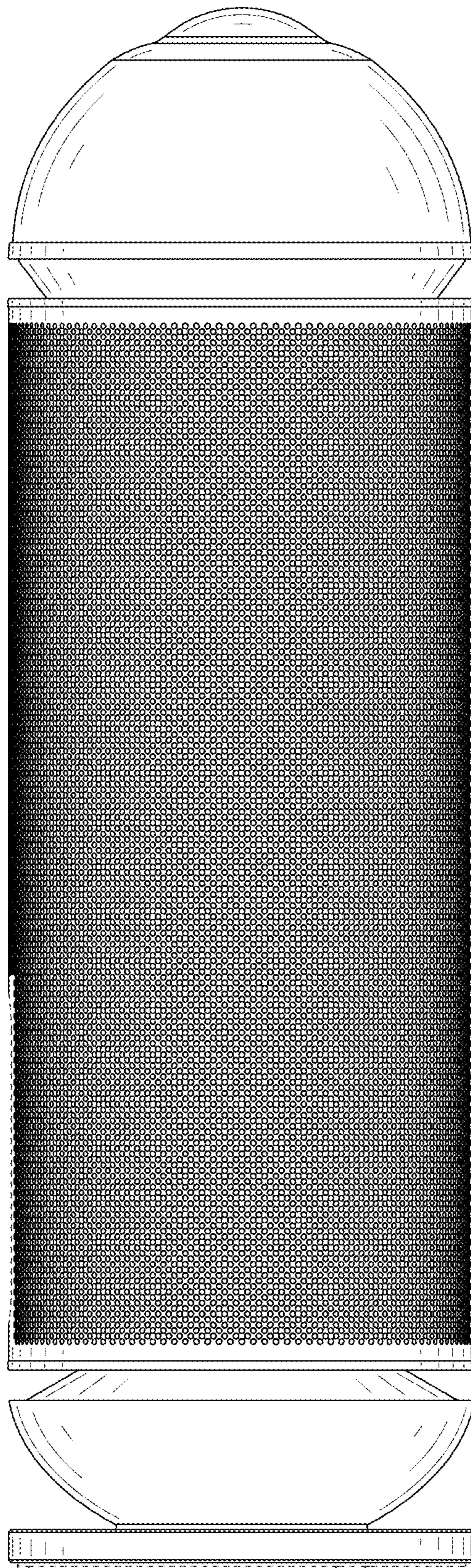


FIG. 3

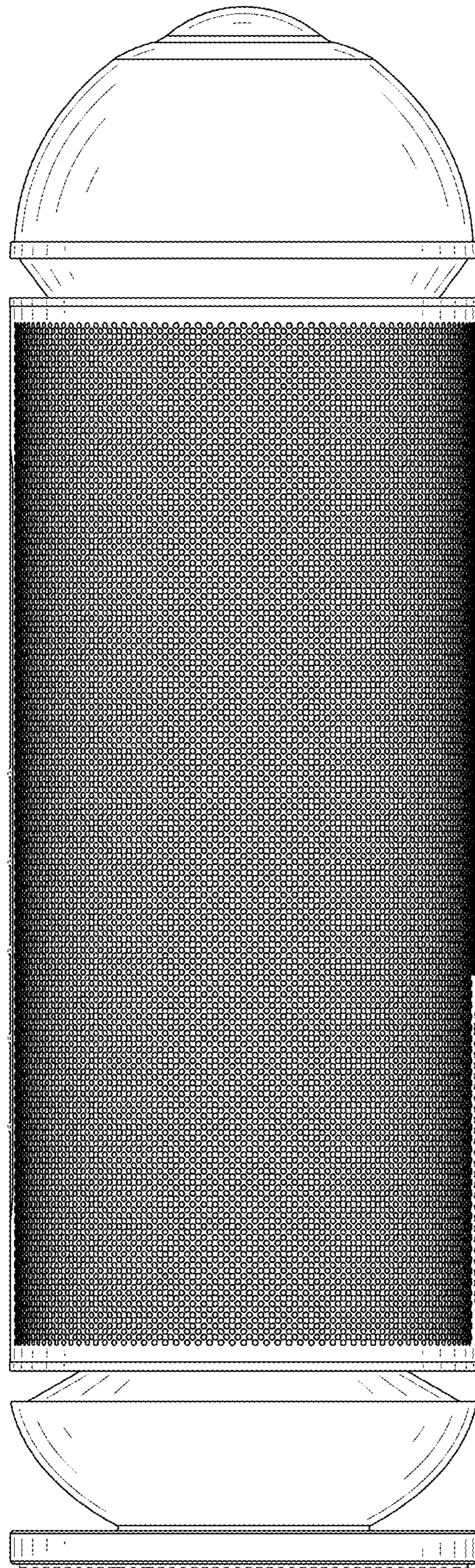


FIG. 4

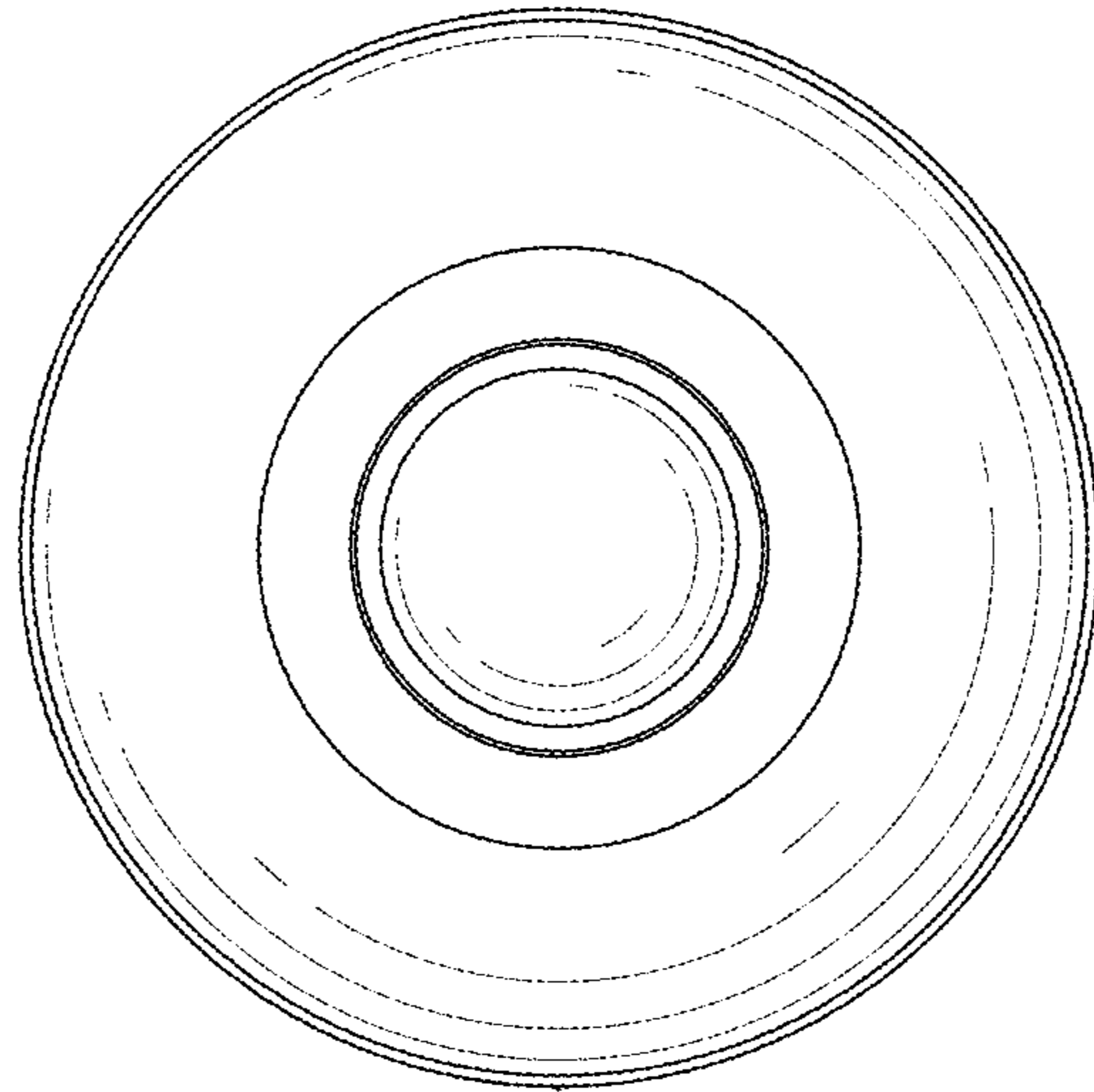


FIG. 5

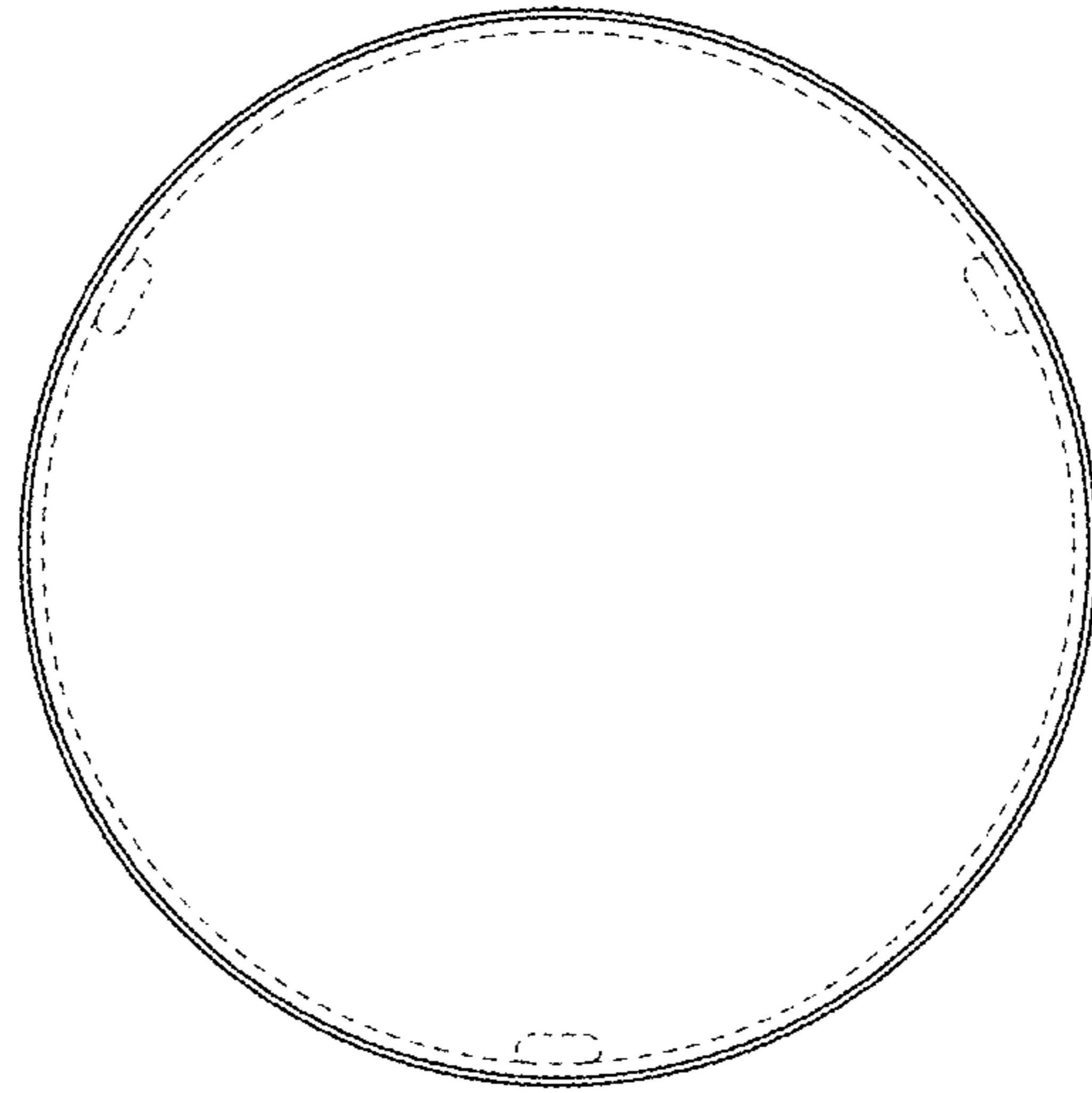


FIG. 6



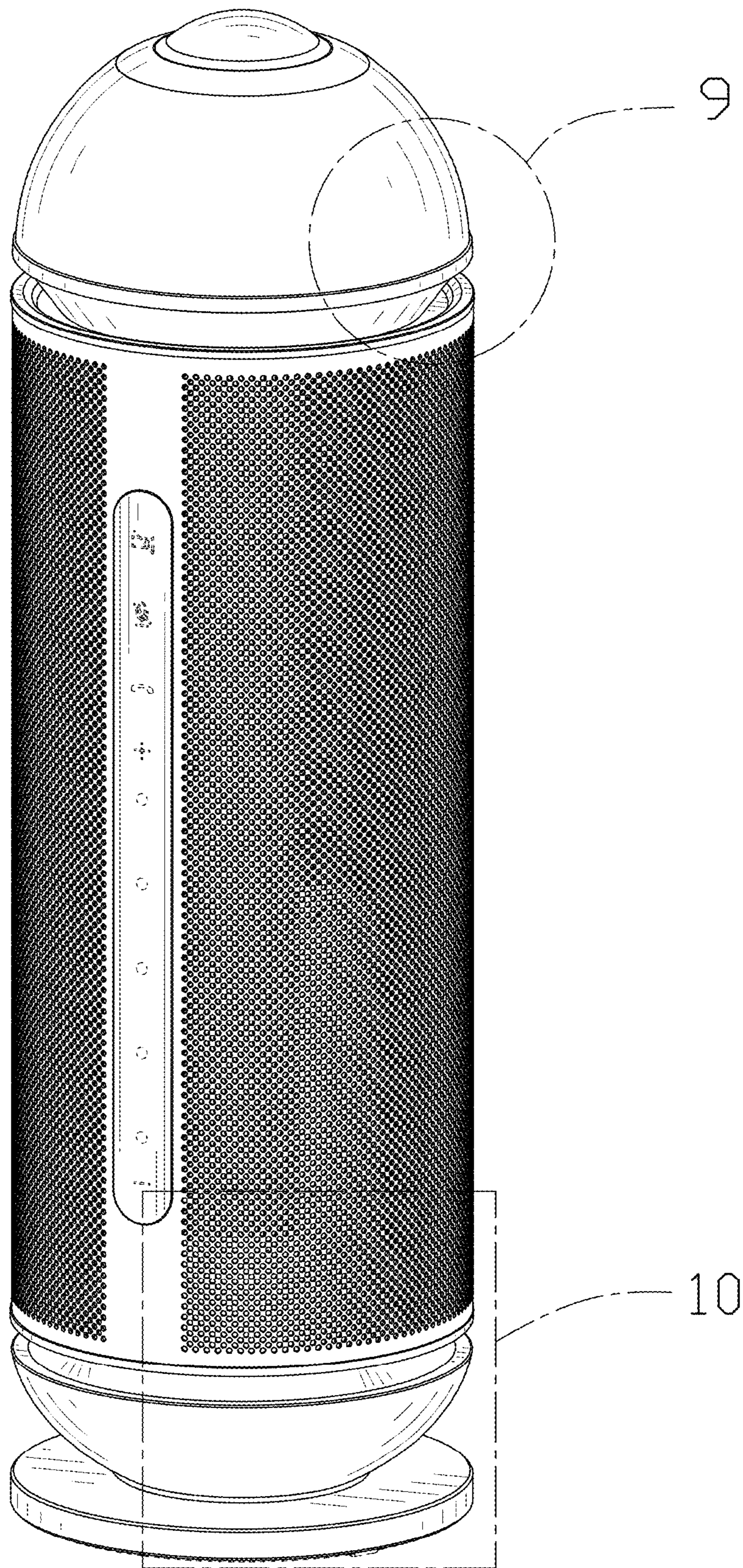


FIG. 7

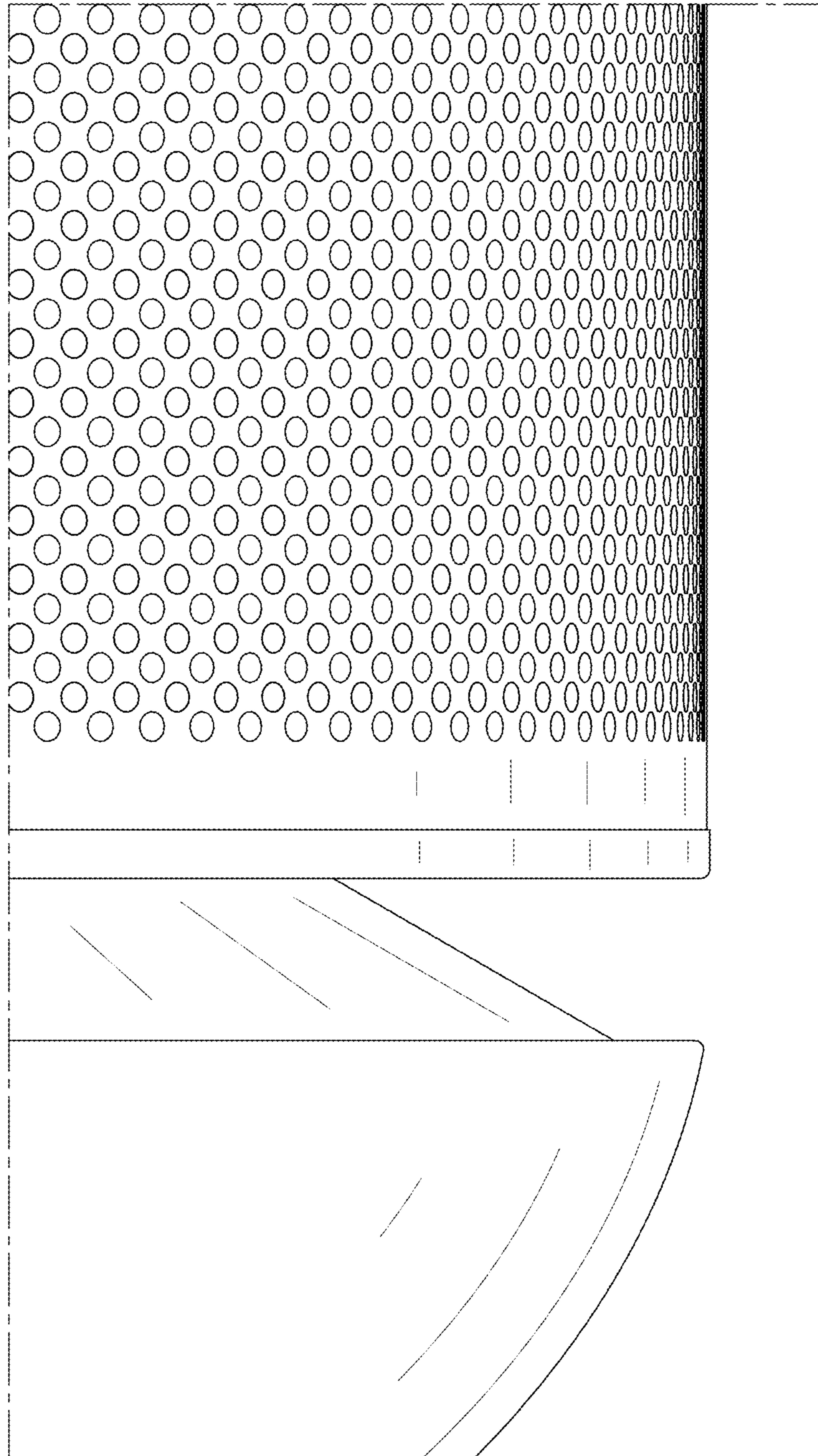


FIG. 8

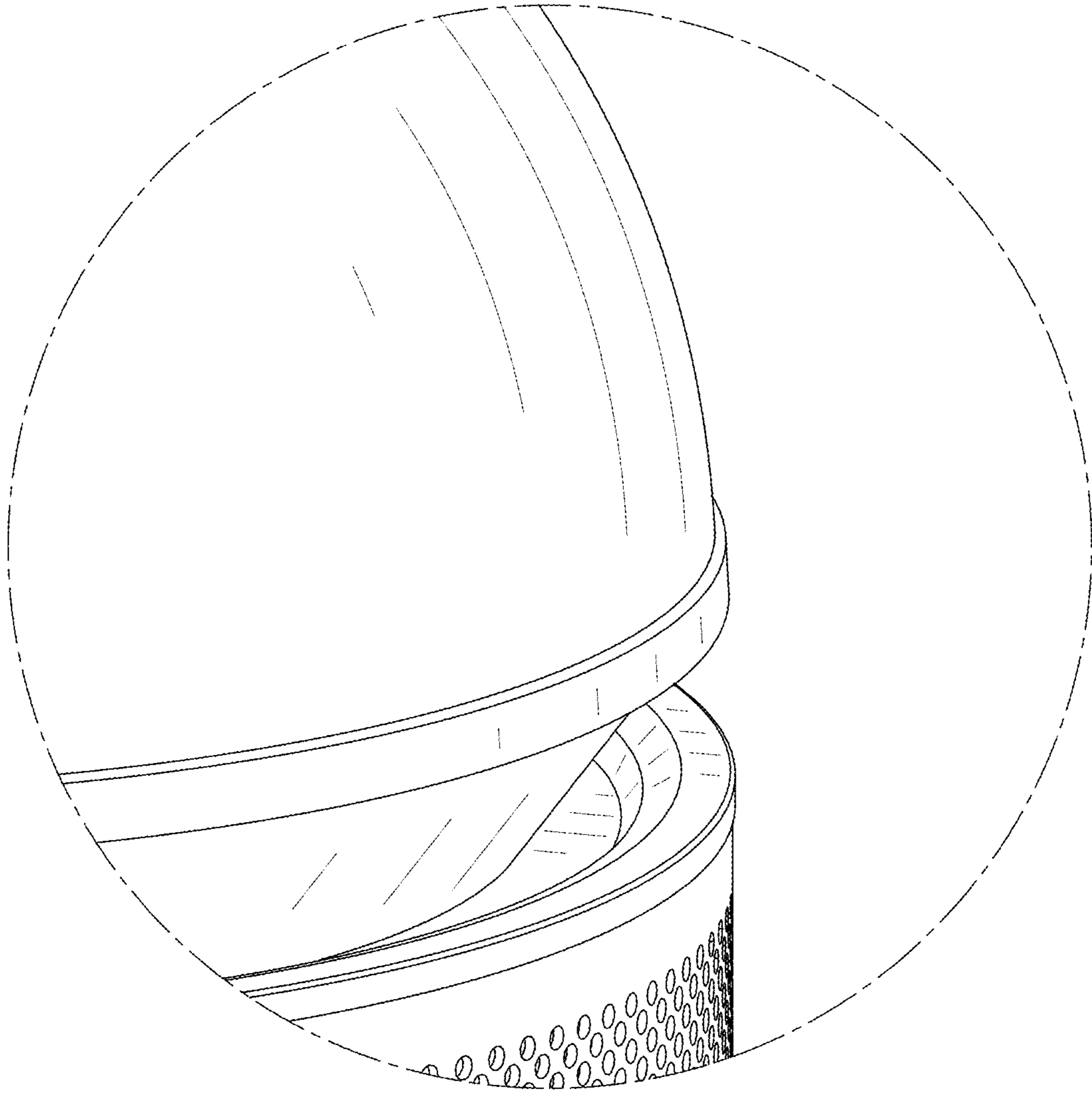


FIG. 9

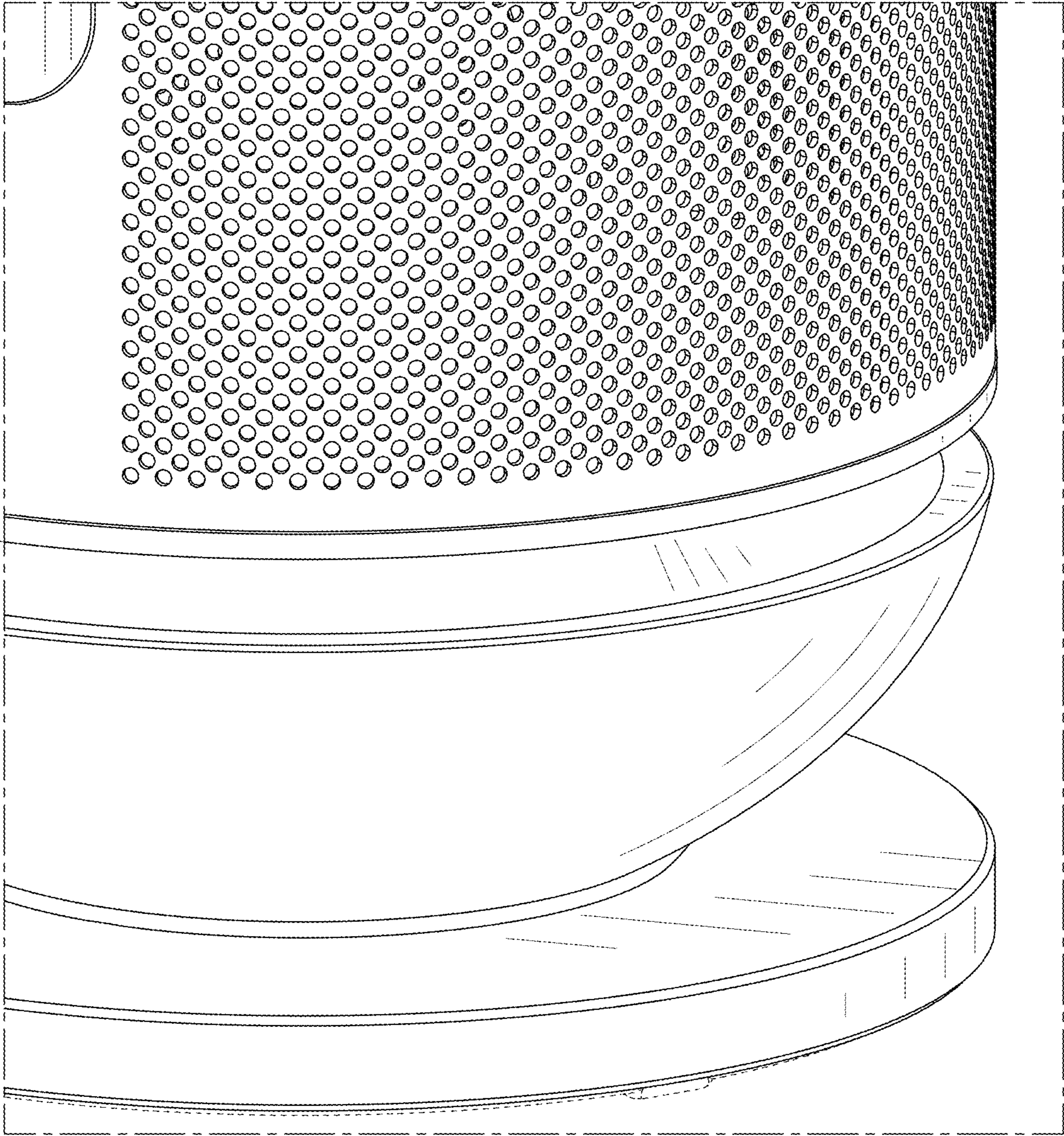


FIG. 10