



US00D894142S

(12) **United States Design Patent** (10) **Patent No.:** **US D894,142 S**  
**Jung et al.** (45) **Date of Patent:** **\*\* Aug. 25, 2020**

(54) **TELEVISION**

FOREIGN PATENT DOCUMENTS

(71) Applicant: **LG ELECTRONICS INC.**, Seoul (KR)

EM 002641779-0001 \* 3/2015

(72) Inventors: **Jaeneung Jung**, Seoul (KR); **Yooseok Kim**, Seoul (KR); **Yoonui Chong**, Seoul (KR); **Byunglok Jeon**, Seoul (KR); **Jongchul Kim**, Seoul (KR)

OTHER PUBLICATIONS

LG OLED55B9PUA B9, announced May 8, 2019 [online], [retrieved Mar. 1, 2020]. Available from Internet, URL: <https://www.amazon.com/LG-OLED55B9PUA-Ultra-Smart-OLED/dp/B07RMSJT4J> (Year: 2019).\*

(73) Assignee: **LG ELECTRONICS INC.**, Seoul (KR)

(Continued)

(\*\*) Term: **15 Years**

*Primary Examiner* — Dana K Weiland

(21) Appl. No.: **35/506,742**

(74) *Attorney, Agent, or Firm* — Birch, Stewart, Kolasch & Birch, LLP

(22) Filed: **Nov. 15, 2018**

(57) **CLAIM**

The ornamental design for a television, as shown and described.

(80) **Hague Agreement Data**

Int. Filing Date: **Nov. 15, 2018**  
Int. Reg. No.: **DM/200237**  
Int. Reg. Date: **Nov. 15, 2018**  
Int. Reg. Pub. Date: **May 17, 2019**

**DESCRIPTION**

(30) **Foreign Application Priority Data**

May 25, 2018 (KR) ..... 30-2018-0024308

(51) **LOC (12) Cl.** ..... **14-03**

(52) **U.S. Cl.**  
USPC ..... **D14/126**

(58) **Field of Classification Search**  
USPC ..... D14/125, 126, 127-137, 239, 314-316, D14/322, 326, 334-336, 339, 340, 341,  
(Continued)

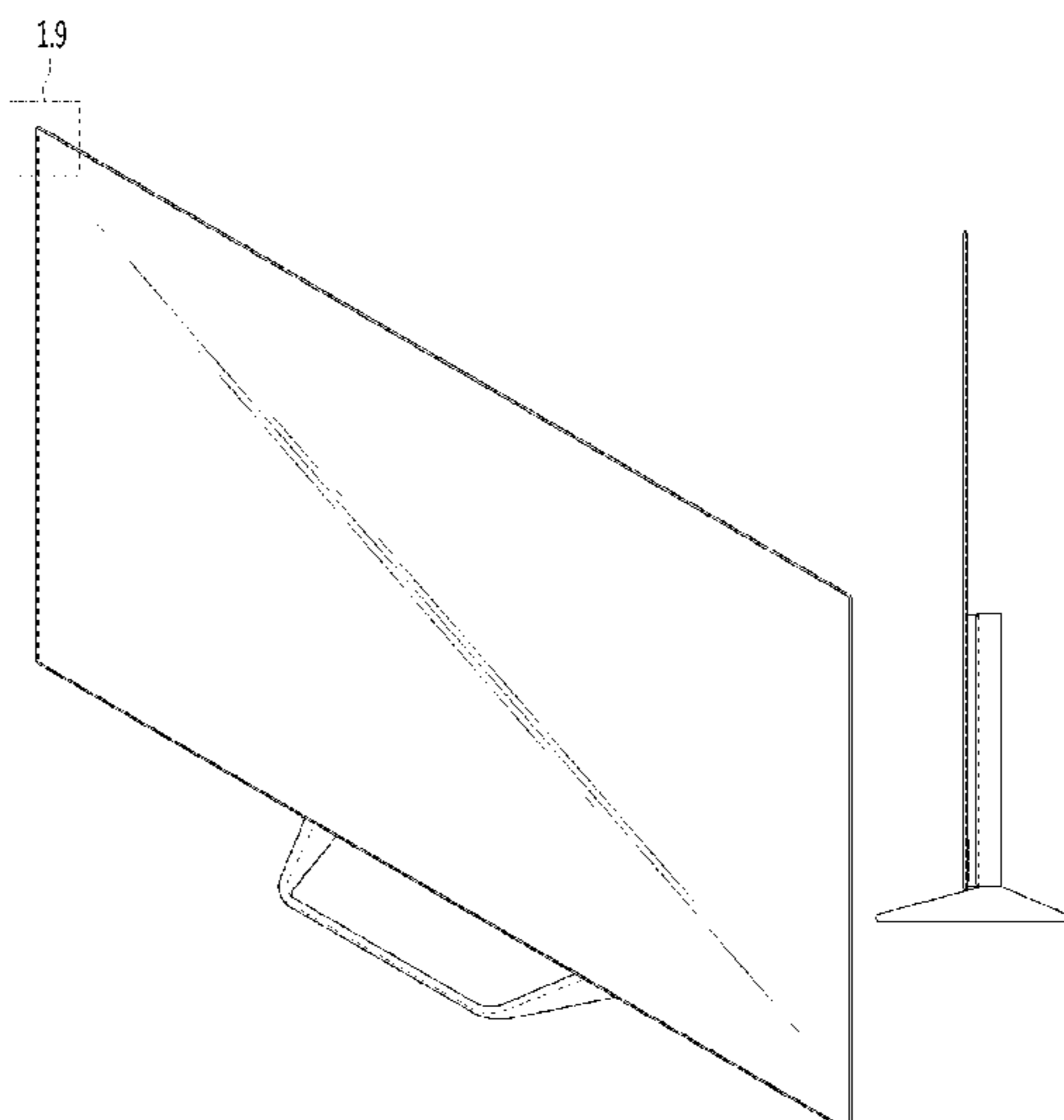
1. Television  
1.1 is a front perspective view of a television showing the new design;  
1.2 is a rear perspective view thereof;  
1.3 is a front view thereof;  
1.4 is a rear view thereof;  
1.5 is a left side view thereof;  
1.6 is a right side view thereof;  
1.7 is a top view thereof;  
1.8 is a bottom view thereof;  
1.9 is an enlarged view of the portion of the television shown within the area designated as 1.9 in reproduction 1.1; and  
1.10 is an enlarged view of the portion of the television shown within the area designated as 1.10 in reproduction 1.5.  
The broken lines depict portions of the television that form no part of the claimed design; the dot-dashed lines indicate portions of the claimed design that are shown in the enlarged views, and form no part thereof.

(56) **References Cited**

U.S. PATENT DOCUMENTS

D704,157 S \* 5/2014 Cha ..... D14/126  
D725,621 S \* 3/2015 Kim ..... D14/126  
(Continued)

**1 Claim, 7 Drawing Sheets**



(58) **Field of Classification Search**

USPC ... D14/371, 373-374, 448, 450, 138 G, 248;  
D6/300, 310, 314, 320, 332, 553, 657;  
D21/329, 332, 515, 324  
CPC ..... G06F 1/16; G06F 1/1601; G06F 1/1637;  
H04N 5/64; H05K 5/0204; H05K 5/0017;  
H05K 5/0217

See application file for complete search history.

(56) **References Cited**

U.S. PATENT DOCUMENTS

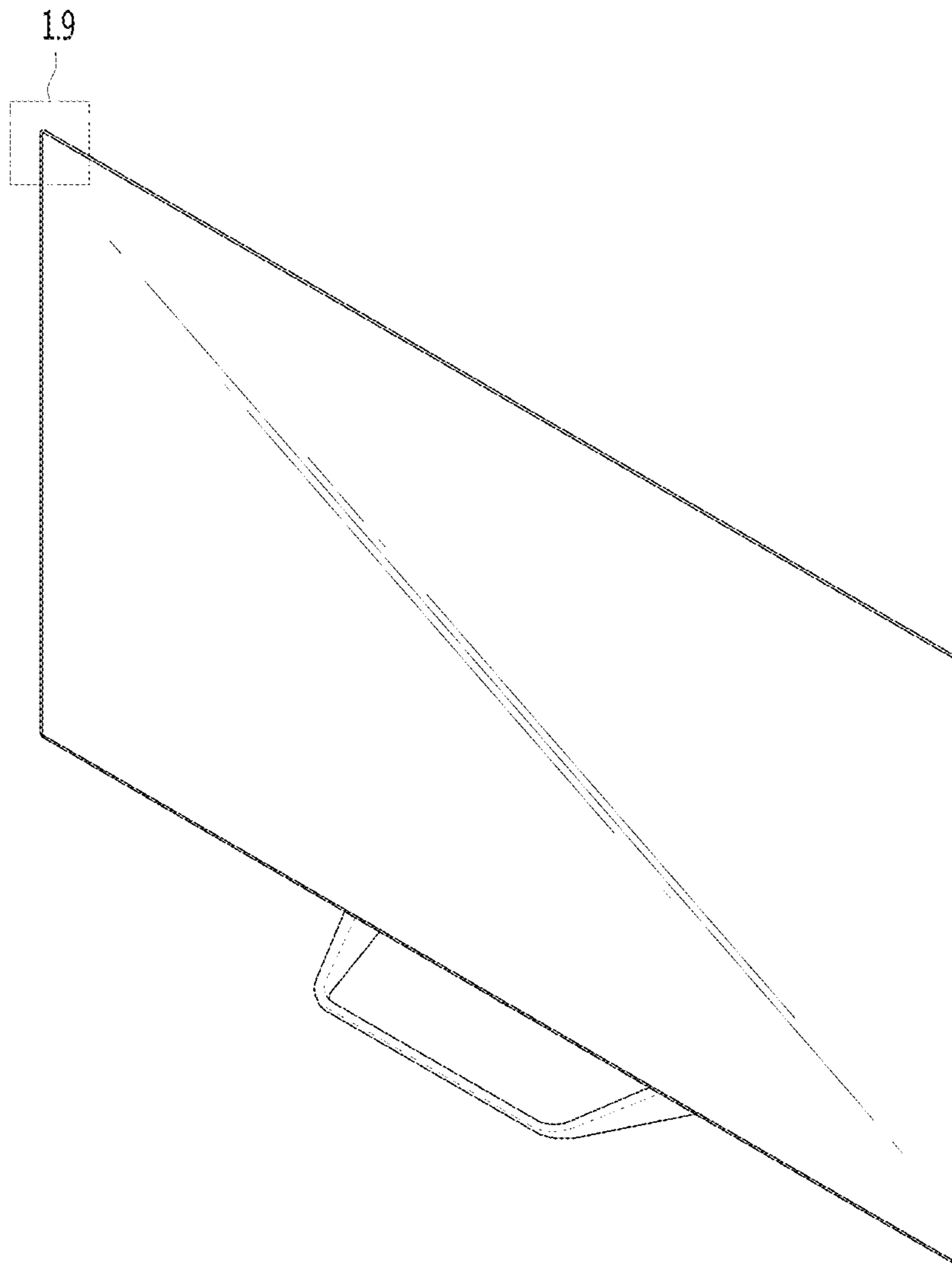
D750,584 S	*	3/2016	Lee	.....	D14/126
D774,010 S	*	12/2016	Wang	.....	D14/126
D775,094 S	*	12/2016	Kim	.....	D14/126
D818,979 S	*	5/2018	Won	.....	D14/126
D820,230 S	*	6/2018	Cha	.....	D14/126
D820,231 S	*	6/2018	Cha	.....	D14/126
D826,883 S	*	8/2018	Kim	.....	D14/126
D826,886 S	*	8/2018	Cha	.....	D14/126
D836,075 S	*	12/2018	Ryu	.....	D14/126
D836,582 S	*	12/2018	Cha	.....	D14/126
D836,584 S	*	12/2018	Kim	.....	D14/126
D836,585 S	*	12/2018	Seo	.....	D14/126
D837,758 S	*	1/2019	Kim	.....	D14/126
D845,259 S	*	4/2019	Won	.....	D14/126
D852,156 S	*	6/2019	Jeon	.....	D14/126
D869,416 S	*	12/2019	Choi	.....	D14/126

OTHER PUBLICATIONS

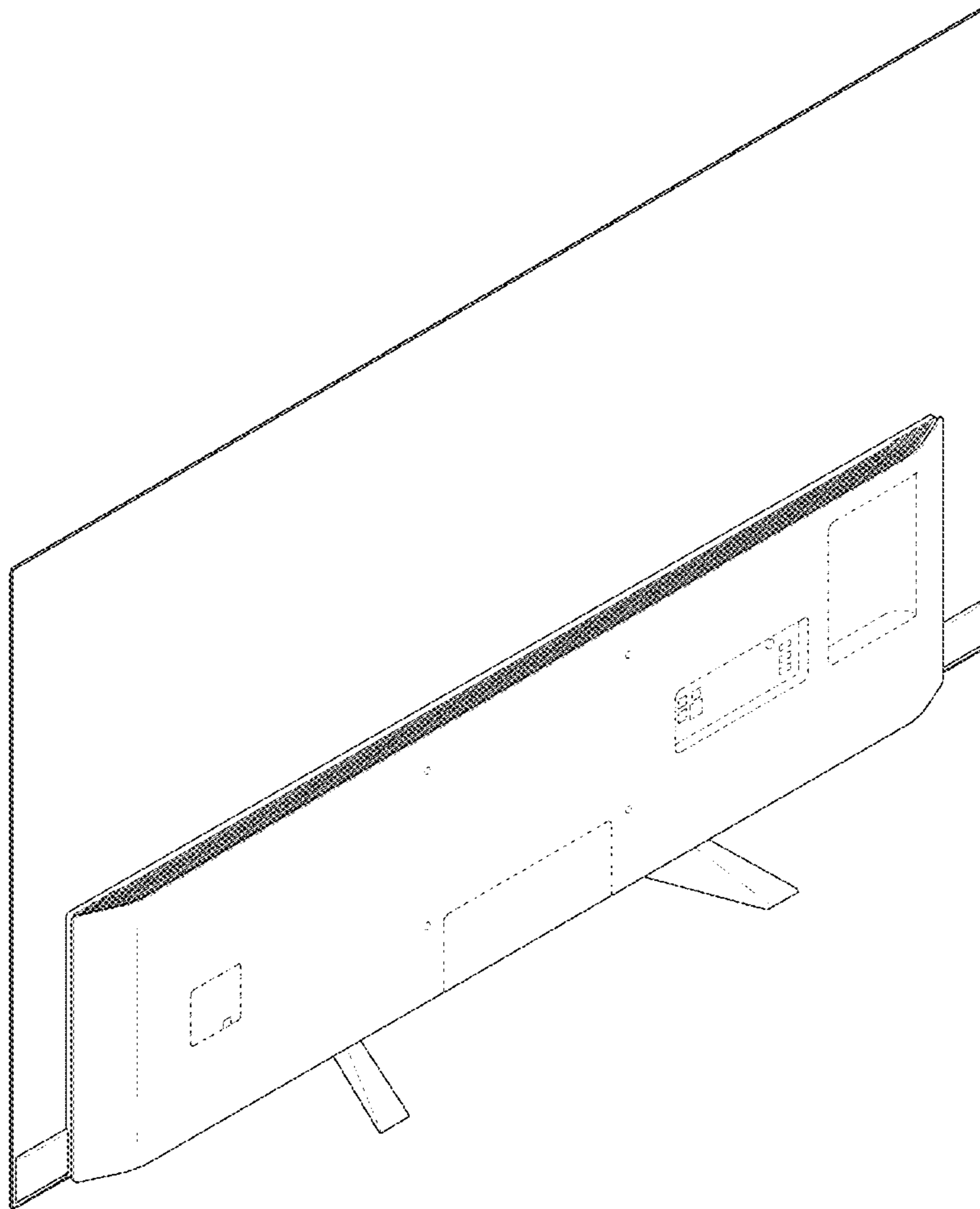
LG OLEDB8P series review, announced Nov. 1, 2018 [online],  
[retrieved Mar. 1, 2020]. Available from Internet, URL: <<https://www.cnet.com/reviews/lg-oled65b8pua-review/>> (Year: 2018).\*

\* cited by examiner

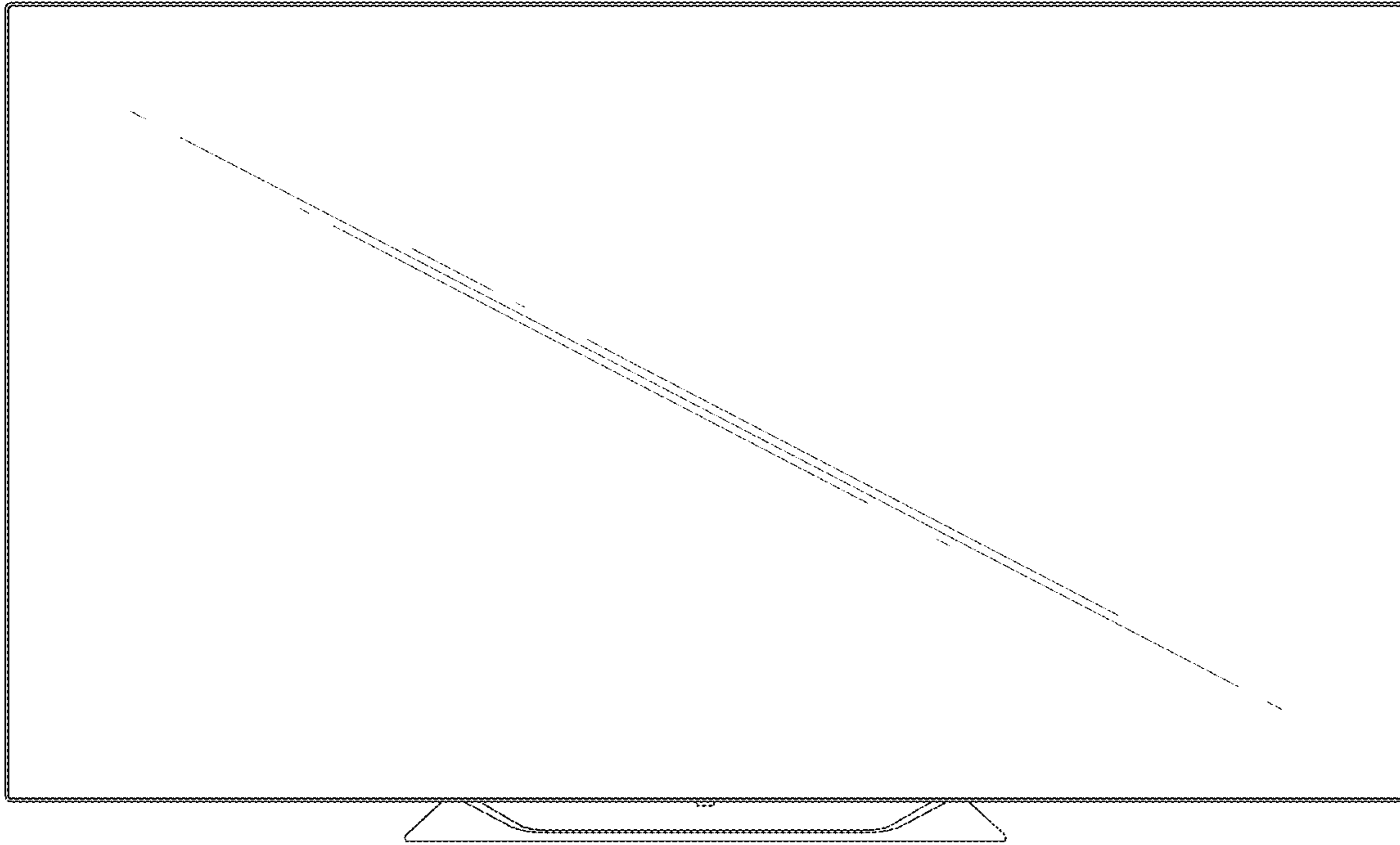
1.1



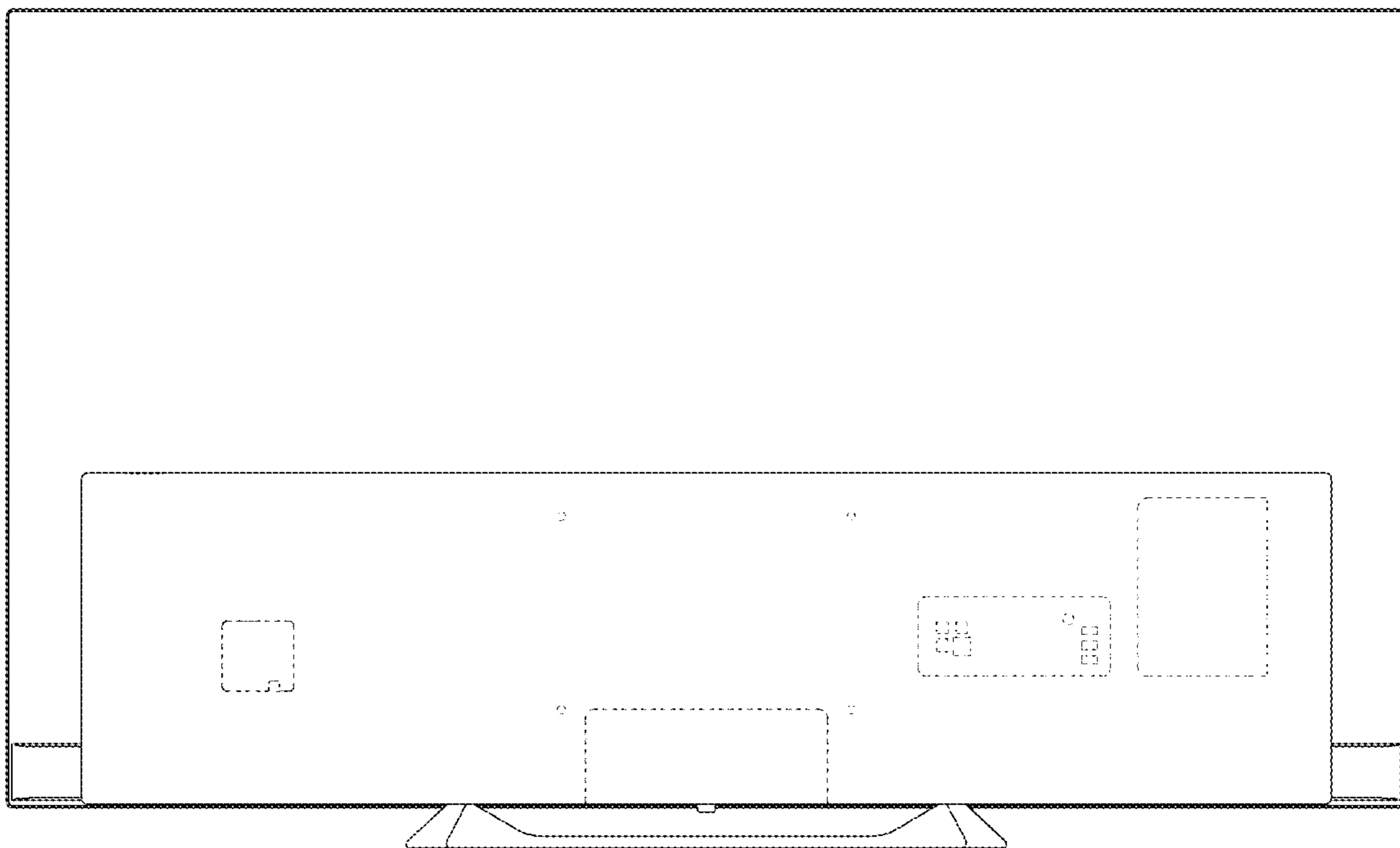
1.2



1.3

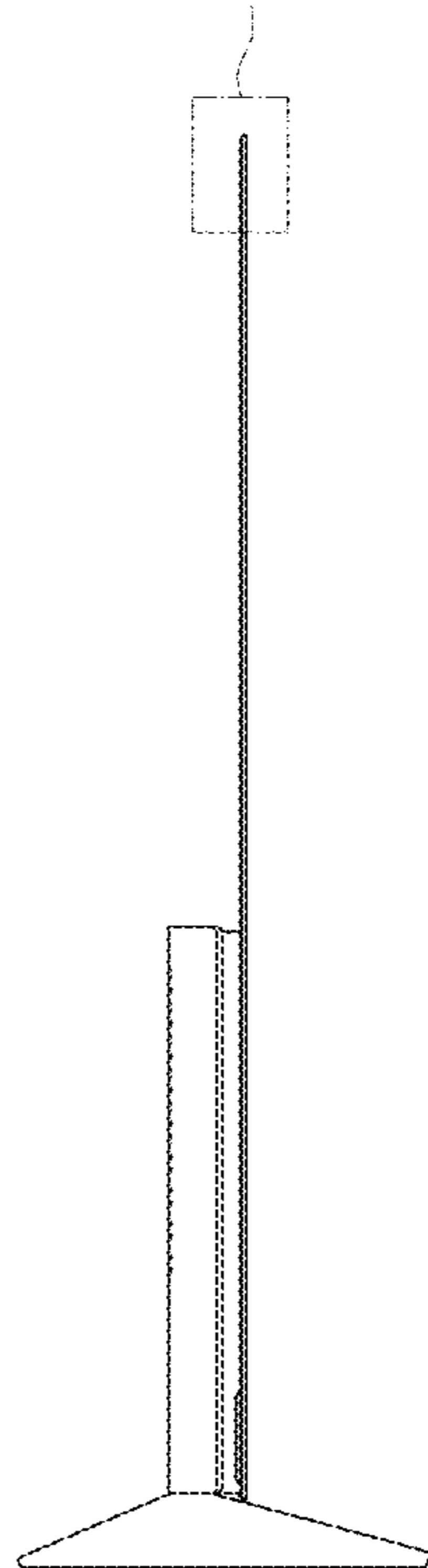


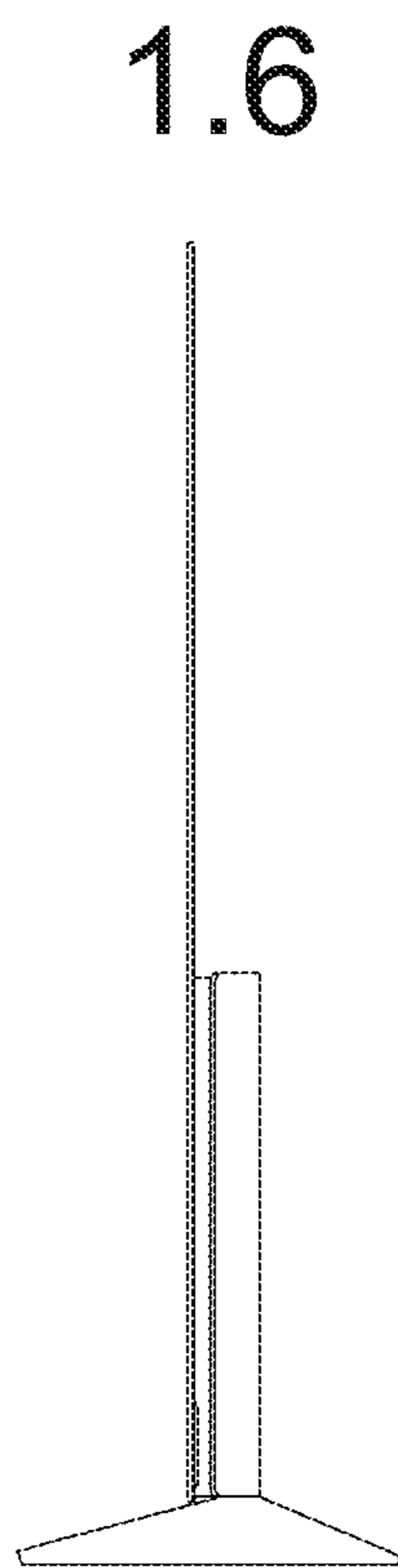
1.4



1.5

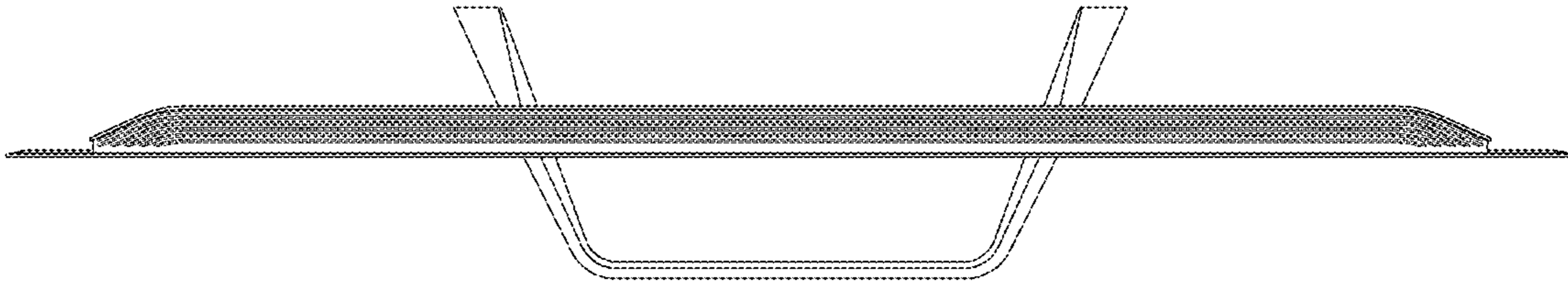
1.10



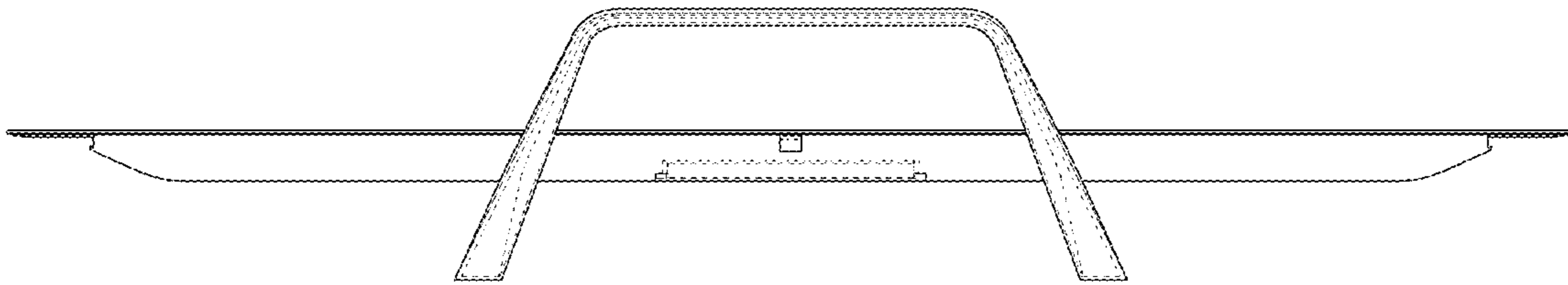




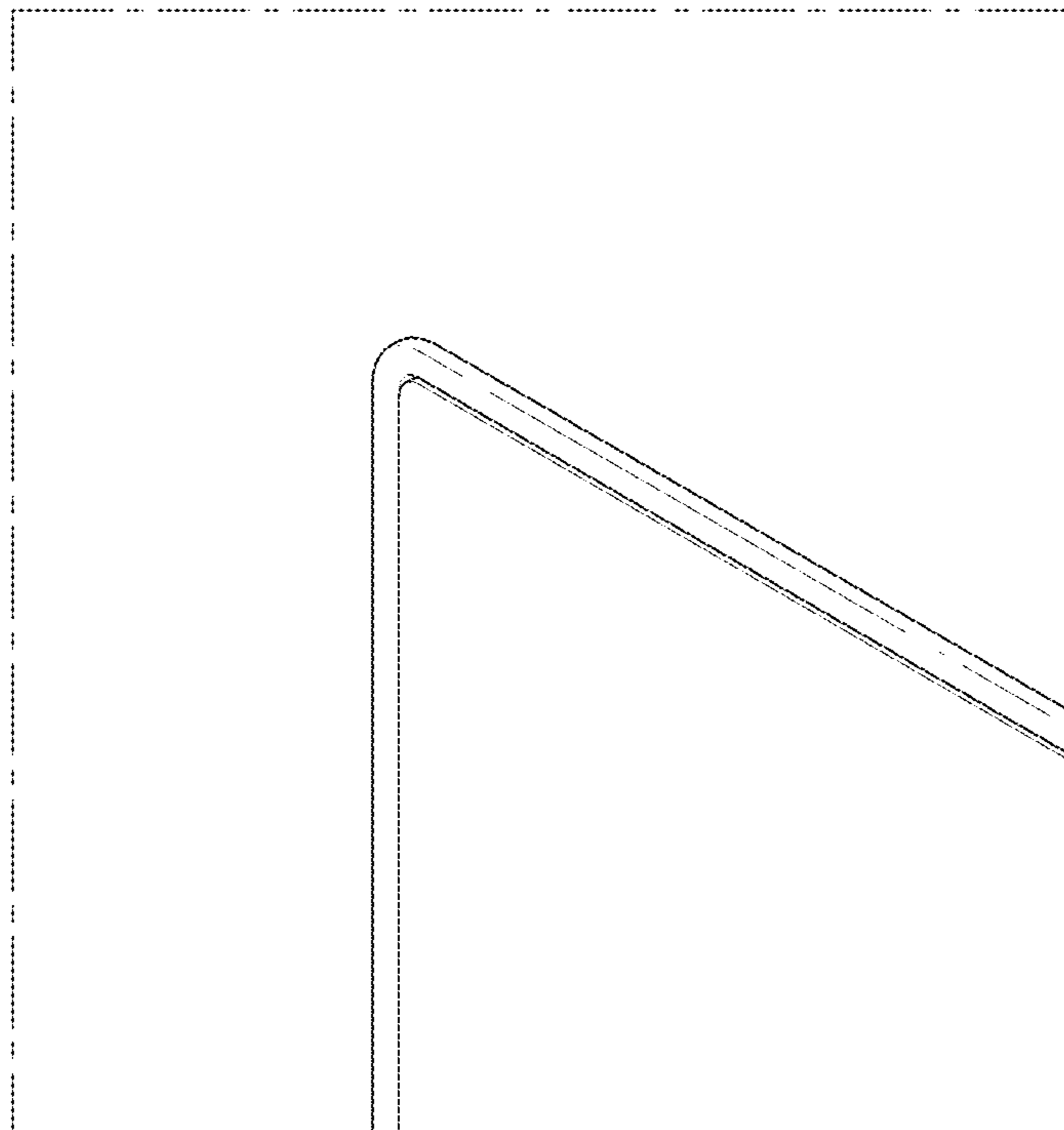
1.7



1.8



1.9





1.10

