

US00D894141S

(12) **United States Design Patent**  
**Kim et al.**

(10) **Patent No.:** **US D894,141 S**  
(45) **Date of Patent:** **\*\* Aug. 25, 2020**

(54) **TELEVISION RECEIVER**

(71) Applicant: **Samsung Electronics Co., Ltd.**,  
Suwon-si (KR)  
(72) Inventors: **Hee-Bong Kim**, Seoul (KR); **Pilkwon Jung**,  
Changwon-si (KR); **Gil Jae Lee**, Seoul (KR); **Yonggu Do**,  
Anyang-si (KR); **Tae-Hun Kim**, Seoul (KR)  
(73) Assignee: **Samsung Electronics Co., Ltd.**,  
Suwon-si (KR)

(\*\*) Term: **15 Years**

(21) Appl. No.: **29/681,052**

(22) Filed: **Feb. 22, 2019**

(30) **Foreign Application Priority Data**

Aug. 29, 2018 (KR) ..... 30-2018-0040330

(51) **LOC (12) Cl.** ..... **14-03**

(52) **U.S. Cl.**  
USPC ..... **D14/126; D14/125; D14/239**

(58) **Field of Classification Search**  
USPC ..... **D14/126-130**  
(Continued)

(56) **References Cited**

**U.S. PATENT DOCUMENTS**

D729,755 S \* 5/2015 McManigal ..... D14/126  
D748,596 S \* 2/2016 McManigal ..... D14/126  
(Continued)

**FOREIGN PATENT DOCUMENTS**

CN 201630284874.4 4/2017  
CN 201730205822.8 11/2017  
(Continued)

**OTHER PUBLICATIONS**

Samsung—43" UHD 8 Series—4K UHD TV, (C) 2020 [online],  
[retrieved Apr. 17, 2020], Retrieved from internet, URL: <https://  
www.bestbuy.com/site/samsung-43-uhd-8-series-4k-uhd-tv-smart-  
led-with-hdr/6401747.p?skuId=6401747> (Year: 2020).\*

(Continued)

*Primary Examiner* — Barbara Fox  
*Assistant Examiner* — Aram Kwon

(74) *Attorney, Agent, or Firm* — NSIP Law

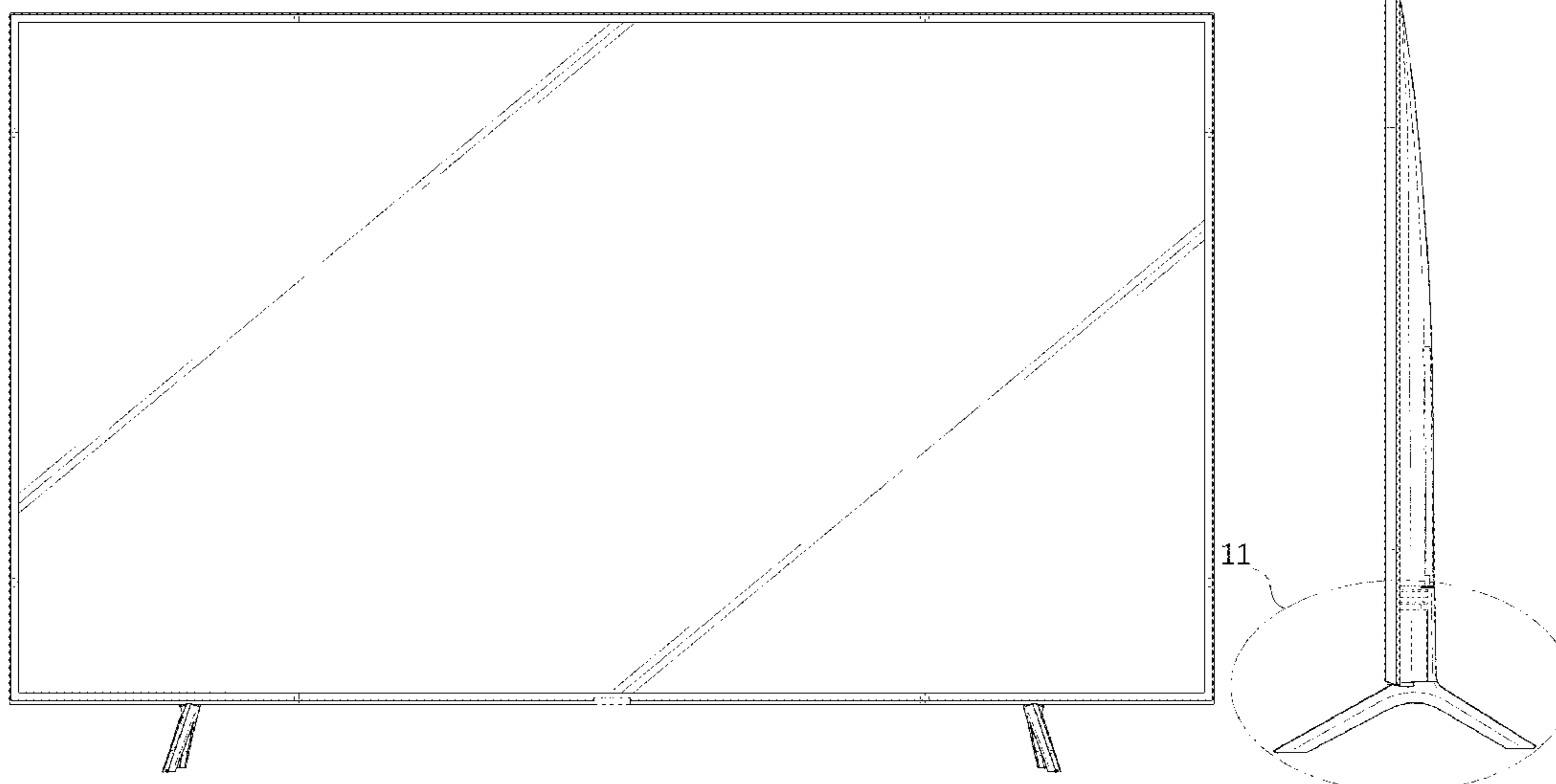
(57) **CLAIM**

We claim the ornamental design for a television receiver, as  
shown and described.

**DESCRIPTION**

FIG. 1 is a front perspective view of a television receiver  
showing our new design;  
FIG. 2 is a front view thereof;  
FIG. 3 is a rear view thereof;  
FIG. 4 is a left-side view thereof;  
FIG. 5 is a right-side view thereof;  
FIG. 6 is a top view thereof;  
FIG. 7 is a bottom view thereof;  
FIG. 8 is a rear perspective view thereof;  
FIG. 9 is an enlarged view of the encircled portion 9 in FIG.  
1;  
FIG. 10 is an enlarged view of the encircled portion 10 in  
FIG. 1;  
FIG. 11 is an enlarged view of the encircled portion 11 in  
FIG. 5; and,  
FIG. 12 is an enlarged view of the encircled portion 12 in  
FIG. 8. A.  
The evenly-dashed broken lines in the figures depicting  
portions of the television receiver form no part of the  
claimed design. The dot-dot-dash broken lines encircling  
portions of the claimed design that are illustrated in enlarge-  
ments form no part of the claimed design.

**1 Claim, 10 Drawing Sheets**



(58) **Field of Classification Search**

CPC ..... G06F 1/16; G06F 1/1601; G06F 1/1637;  
 H04N 5/64; H05K 5/0204; H05K 5/0017;  
 H05K 5/0217

See application file for complete search history.

(56) **References Cited**

U.S. PATENT DOCUMENTS

D749,532 S *	2/2016	McManigal	.....	D14/126
D751,048 S *	3/2016	Yoon	.....	D14/126
D778,855 S *	2/2017	Lee	.....	D14/126
D782,433 S *	3/2017	Lee	.....	D14/126
D782,991 S *	4/2017	Kim	.....	D14/126
D783,555 S *	4/2017	Cho	.....	D14/126
D806,666 S *	1/2018	Kim	.....	D14/126
D826,791 S *	8/2018	Kim	.....	D12/126
D848,967 S *	5/2019	Kim	.....	D14/126
D853,365 S *	7/2019	Seong	.....	D14/239
D856,292 S *	8/2019	Lim	.....	D14/126
D858,470 S *	9/2019	Lee	.....	D14/126
D858,471 S *	9/2019	Lee	.....	D14/126
D859,338 S *	9/2019	Lim	.....	D14/126
D865,730 S *	11/2019	Seong	.....	D14/239
D868,713 S *	12/2019	Lee	.....	D14/126
D875,697 S *	2/2020	Diao	.....	D14/126
D878,314 S *	3/2020	Seong	.....	D14/126

FOREIGN PATENT DOCUMENTS

CN	201730440690.7	5/2018
CN	201730685771.3	6/2018
JP	D2019-10740	* 1/2020
KR	3020180040330	* 6/2019
KR	3020160047384	* 3/2020
WO	WOD089976-004	* 9/2016
WO	WOD201596-008	* 8/2019

OTHER PUBLICATIONS

Samsung—75" Class—LED—Q60 Series, (C) 2019 [online], [retrieved Apr. 17, 2020], Retrieved from internet, URL: <<https://www.bestbuy.com/site/samsung-75-class-led-q60-series-2160p-smart-4k-uhd-tv-with-hdr/6331767.p?skuId=6331767>> (Year: 2019).\*

LG “LG 43UH750T 108 cm (43 inches) 4k Ultra HD LED IPS TV (Black)” [2019] [www.amazon.com](http://www.amazon.com) Feb. 22, 2019 <<https://www.amazon.in/LG-43UH750T-inches-Ultra-Black/dp/B01GPY60LW>>. Vu “Vu 163 CN 65 Ultra Hd 4K Smart Led Tv 65Xt780” [2018] [www.shoponn.in](http://www.shoponn.in) Feb. 22, 2019 <[https://www.shoponn.in/Vu\\_163\\_cm\\_65\\_Ultra\\_HD\\_4K\\_Smart\\_LED\\_TV\\_65XT780/165390](https://www.shoponn.in/Vu_163_cm_65_Ultra_HD_4K_Smart_LED_TV_65XT780/165390)>.

\* cited by examiner

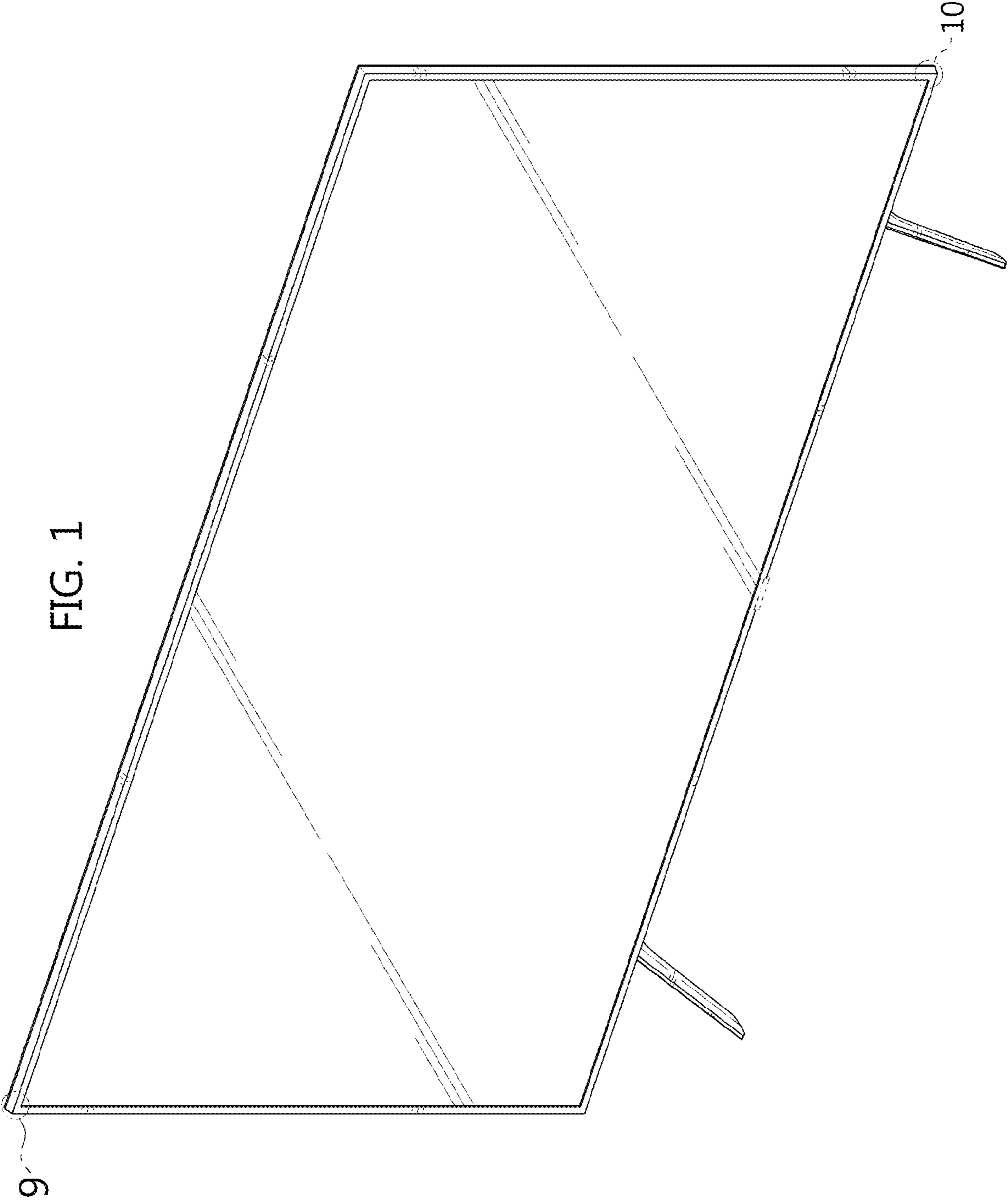


FIG. 2

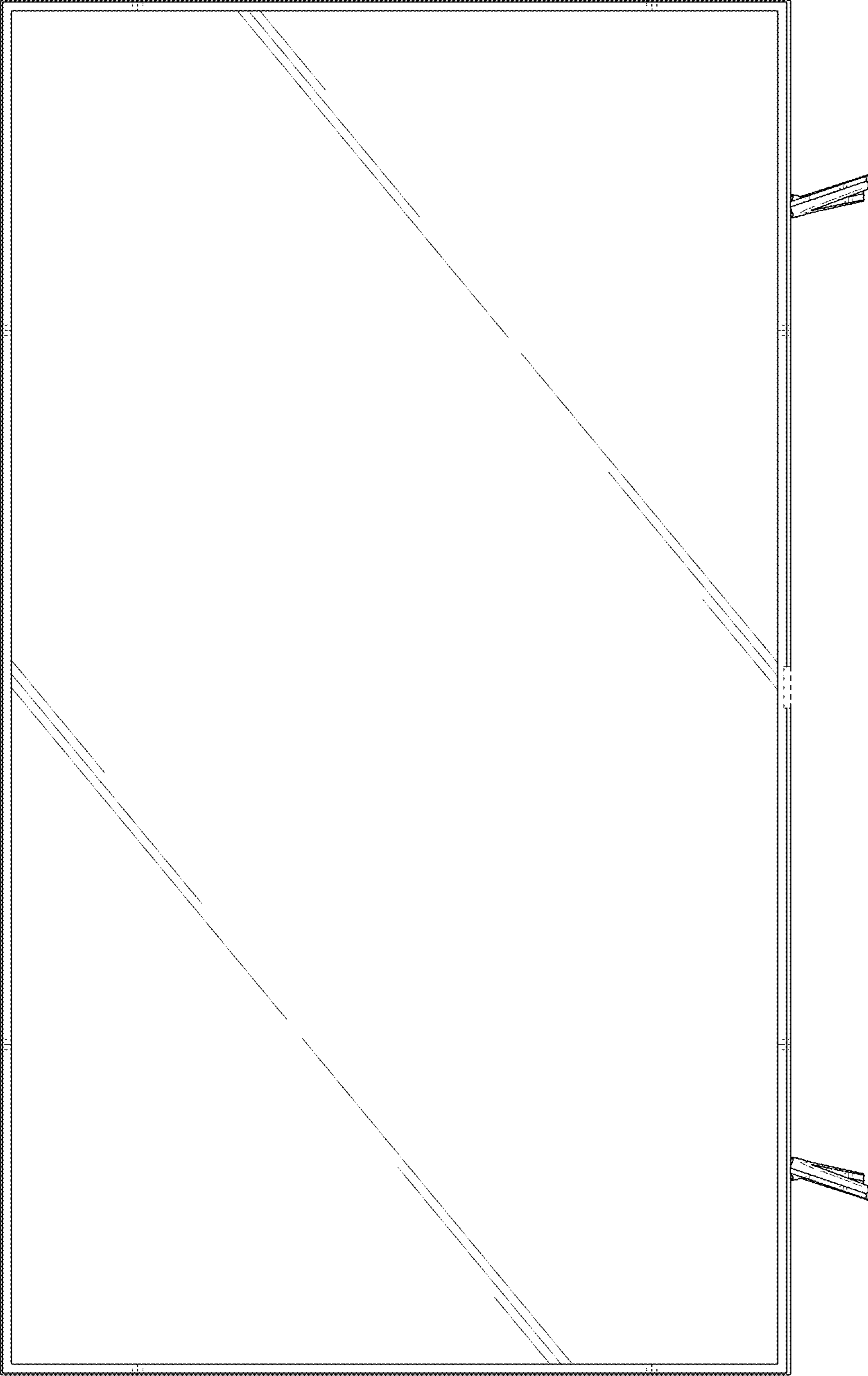


FIG. 3

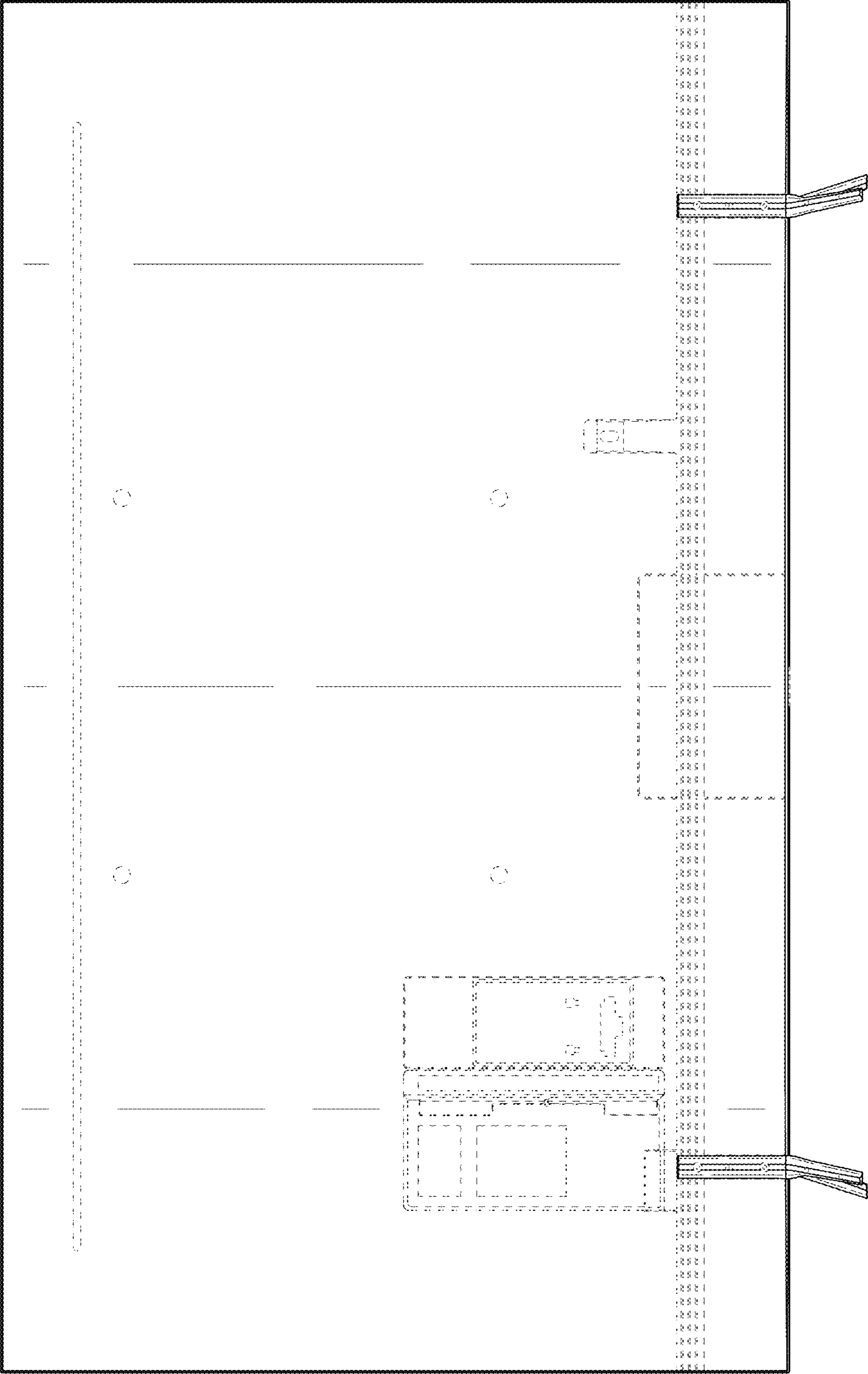


FIG. 5

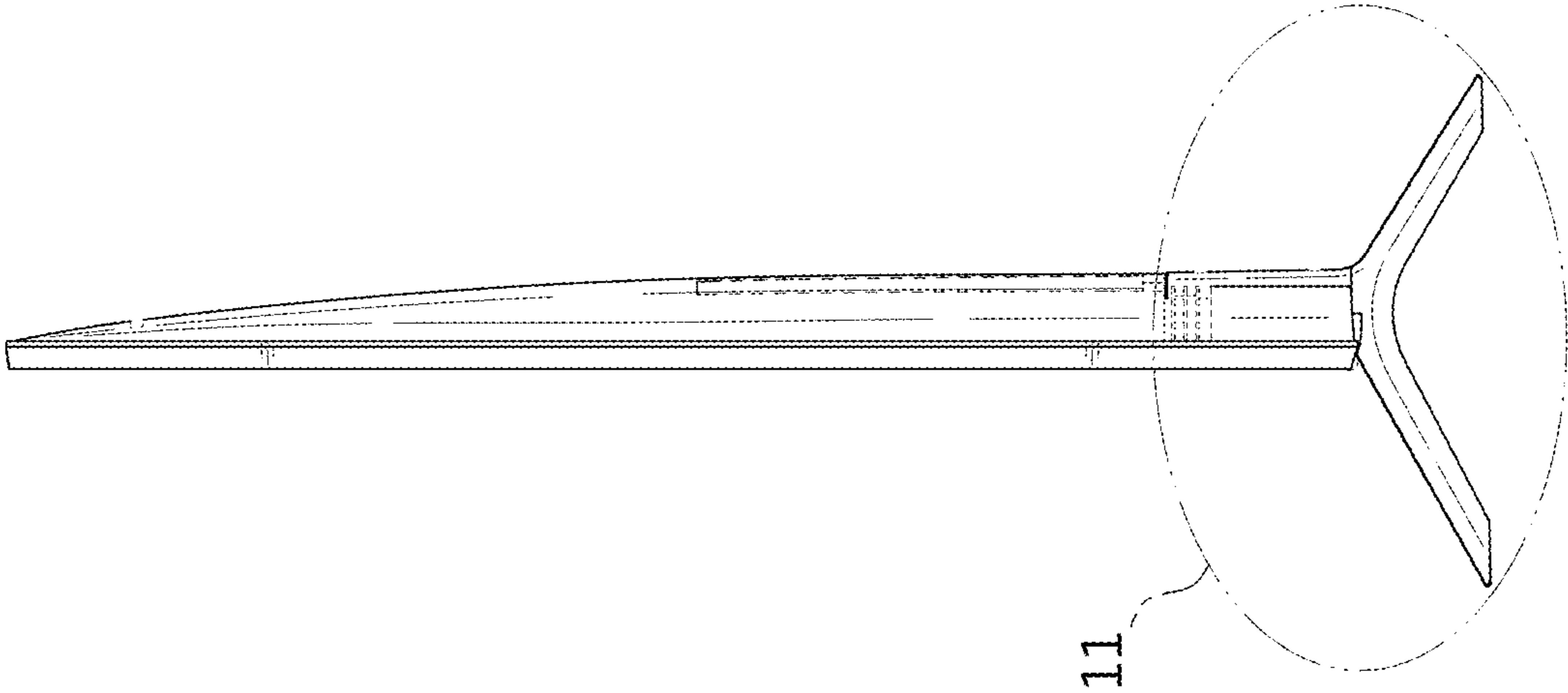


FIG. 4

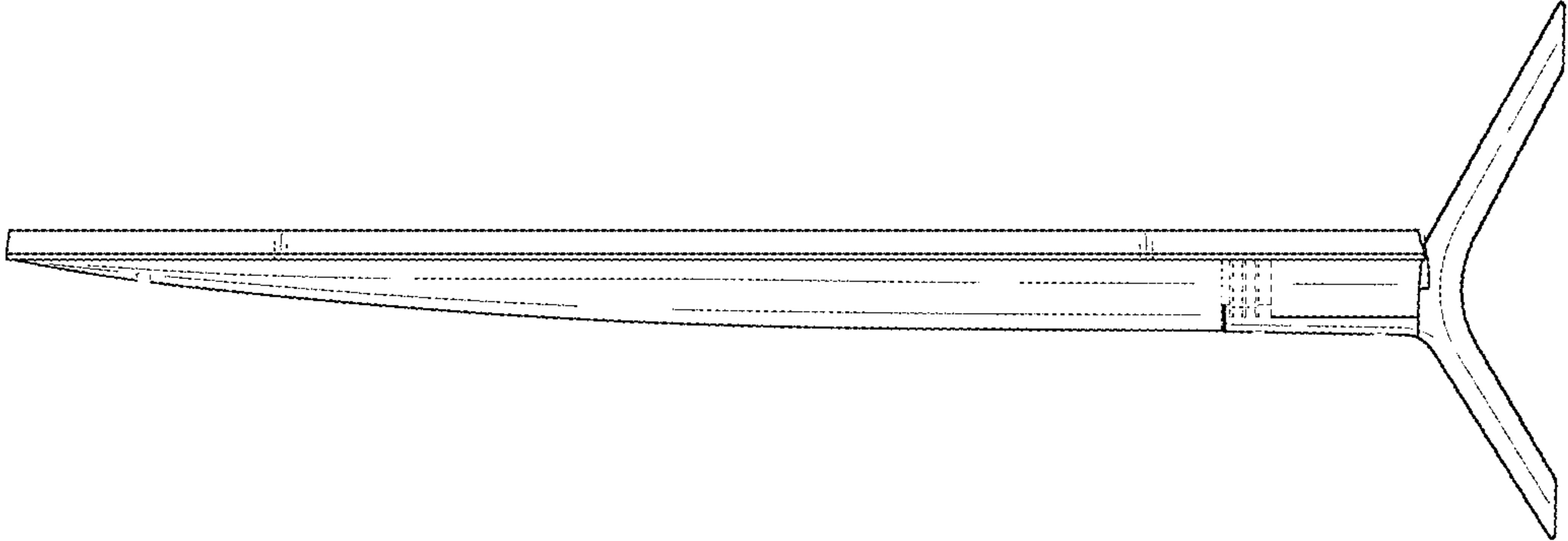


FIG. 6

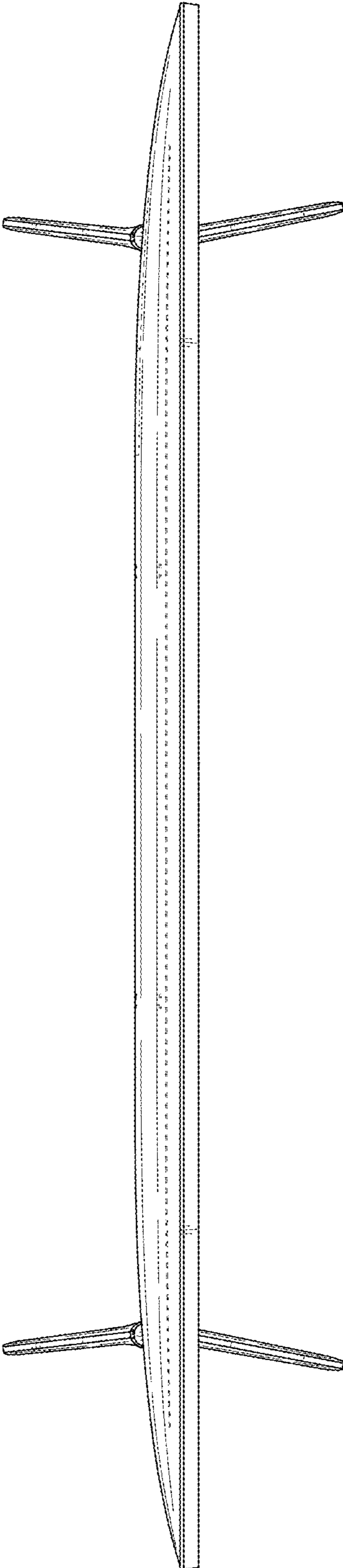


FIG. 7

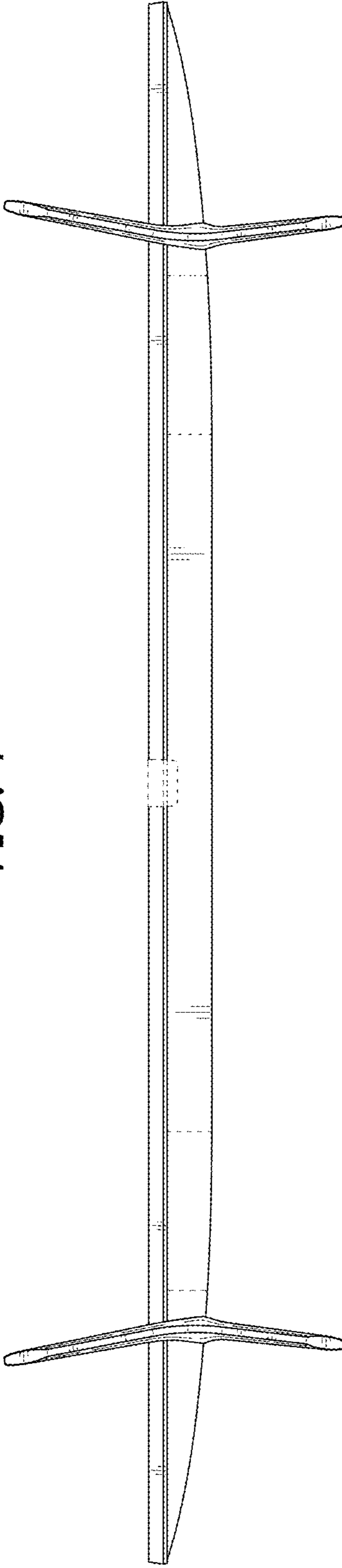
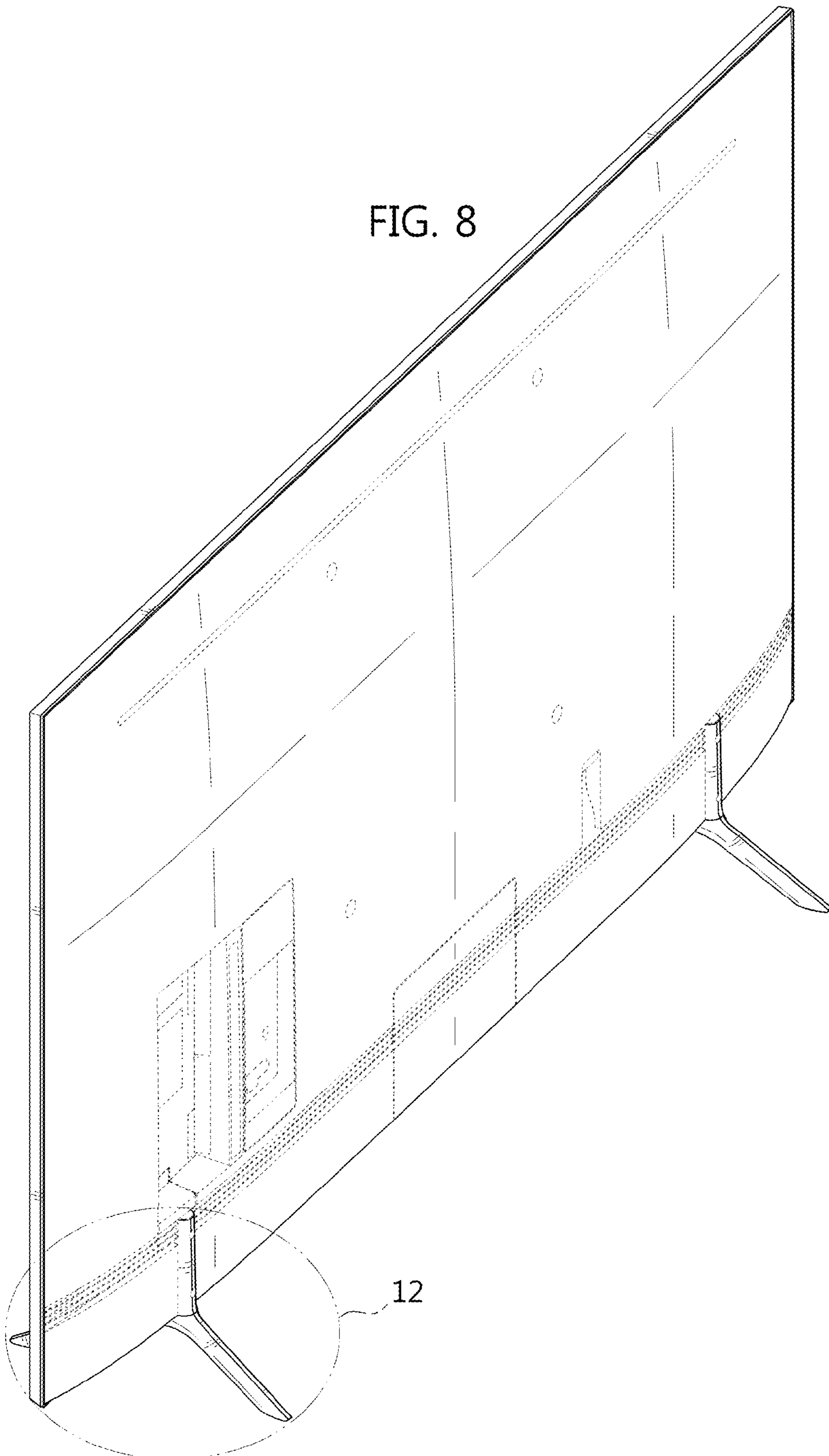


FIG. 8



12



FIG. 9

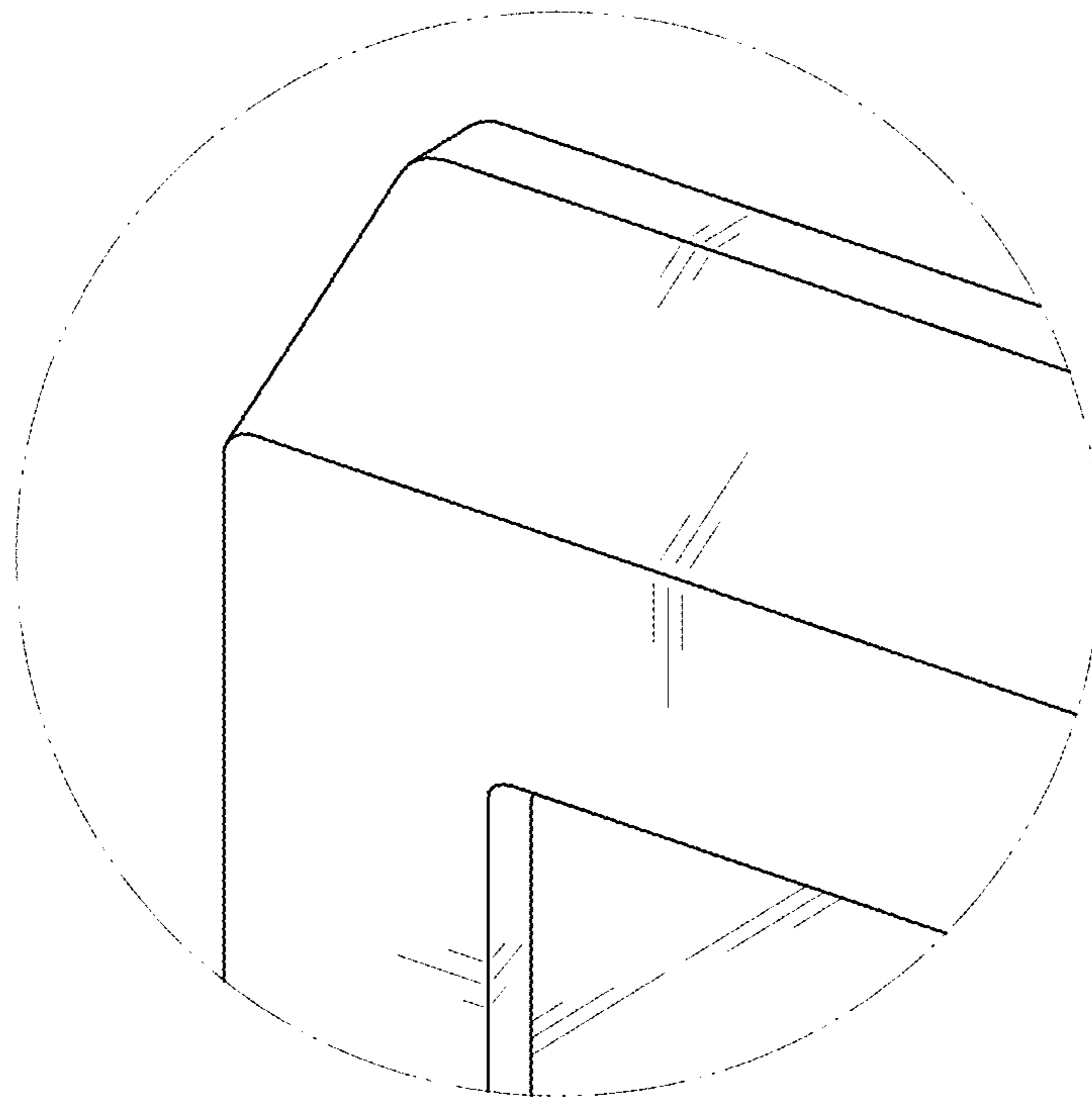


FIG. 10

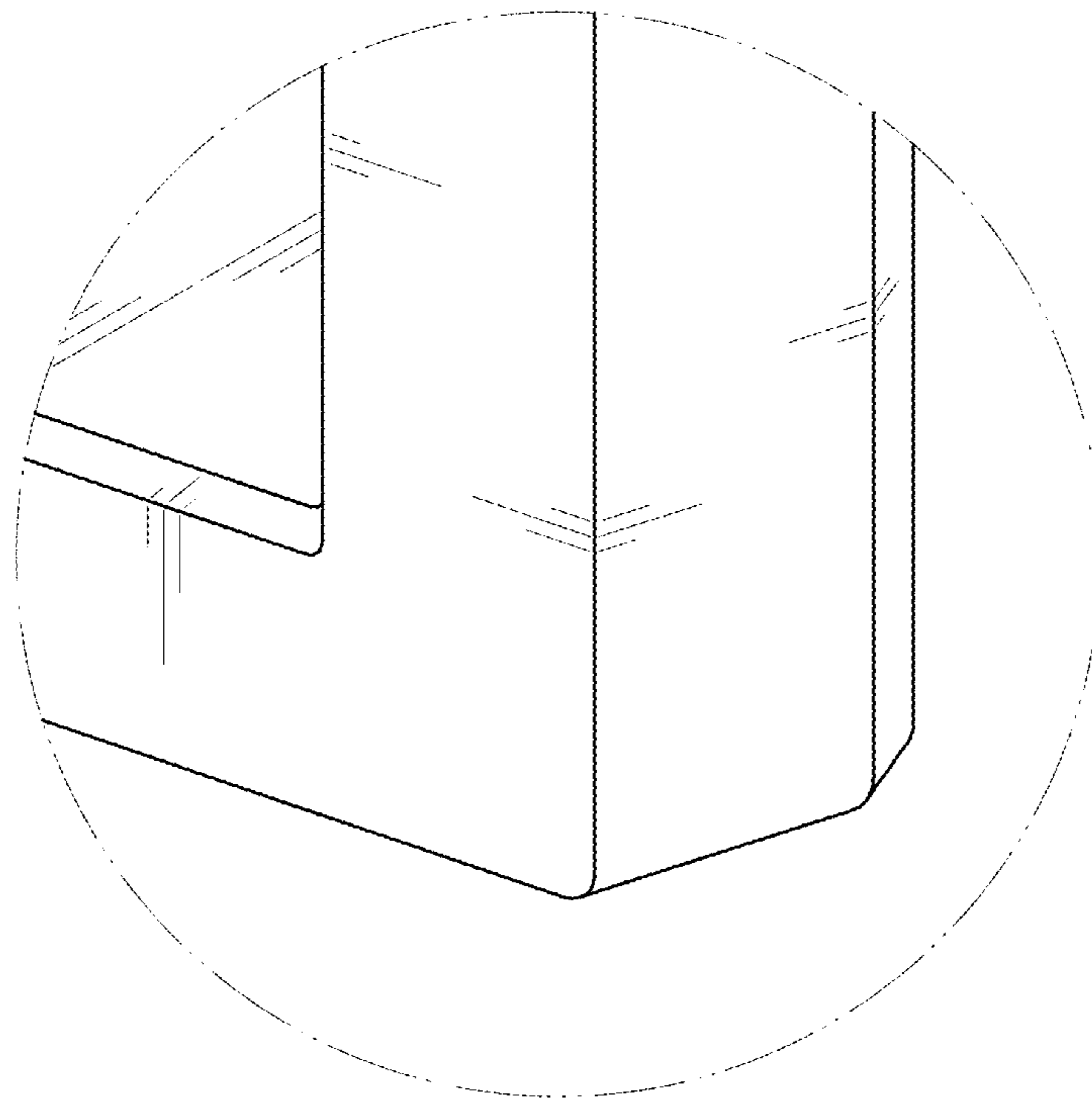


FIG. 11

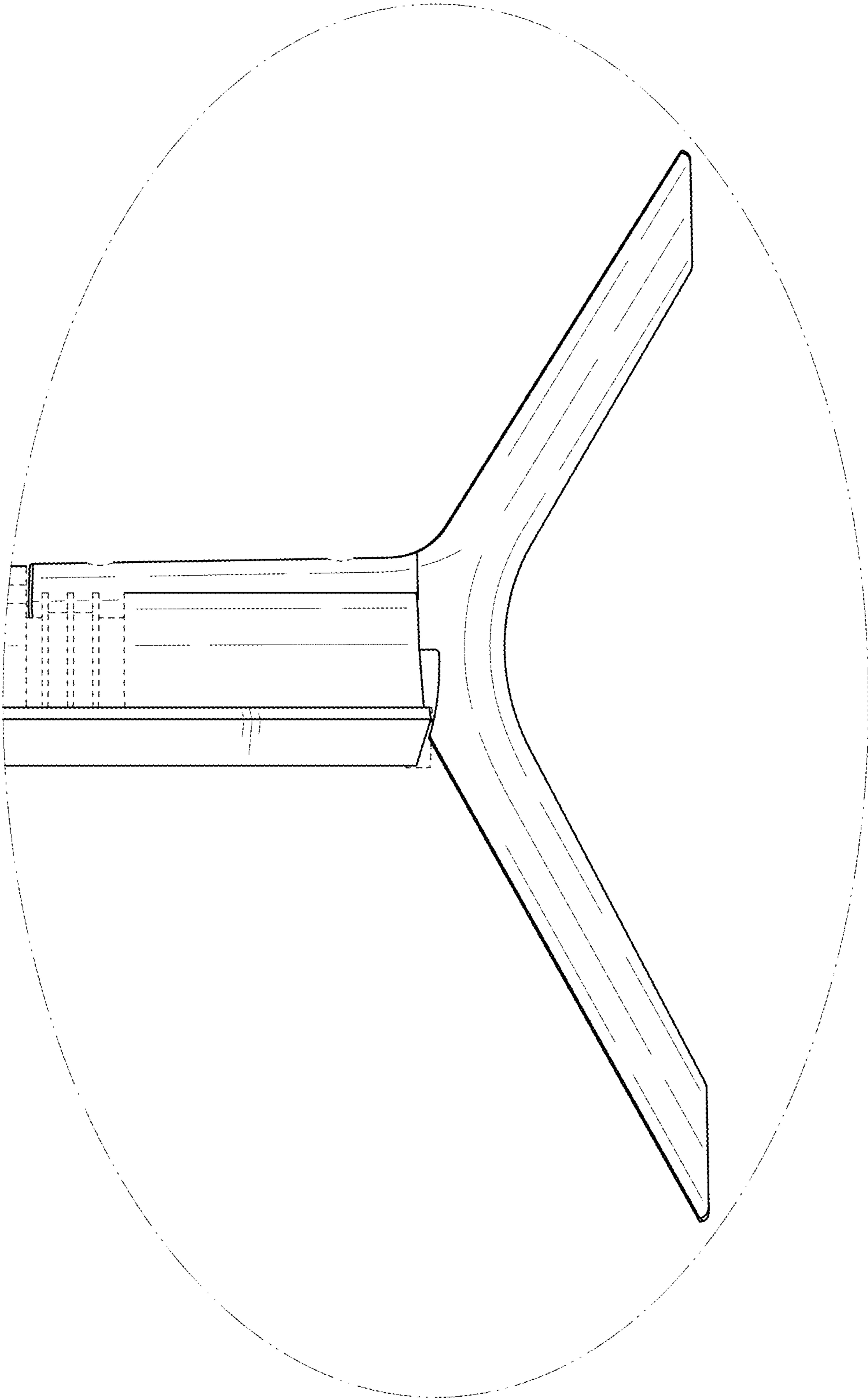


FIG. 12

