



US00D894139S

(12) **United States Design Patent** (10) **Patent No.:** **US D894,139 S**
Bell et al. (45) **Date of Patent:** **** Aug. 25, 2020**

(54) **TELEVISION**

D542,746 S * 5/2007 Kim D14/126
D550,173 S * 9/2007 Wang D14/126
D562,274 S * 2/2008 Wang D14/126

(71) Applicant: **Furrion Property Holding Limited**,
Hong Kong (HK)

(Continued)

(72) Inventors: **Steven Neill Bell**, Hong Kong (HK);
Matthew David Fidler, Hong Kong
(HK); **Bernard San Lap Lo**, Hong
Kong (HK); **Yuk Ying Wong**, Hong
Kong (HK)

FOREIGN PATENT DOCUMENTS

JP D2012-12424 * 11/2015
JP D2016-67 * 8/2016
WO WOD206496-001 * 3/2020

(73) Assignee: **Furrion Property Holding Limited**,
Hong Kong (HK)

OTHER PUBLICATIONS

Avtex 22" Inch 12v/240 Volt L219DRS PRO TV, (c) 2018 [online],
[retrieved Apr. 15, 2020], Retrieved from internet, URL: <https://www.amazon.co.uk/Avtex-21-5-Caravan-Motorhome-Multi-Tuner/dp/B07G4F8D8W/ref=sr_1_145_sspa?dchild=1&keywords=television&qid=15%E2%80%A6> (Year: 2018).*

(**) Term: **15 Years**

Primary Examiner — Barbara Fox

(21) Appl. No.: **29/675,659**

Assistant Examiner — Aram Kwon

(22) Filed: **Jan. 4, 2019**

(51) **LOC (12) Cl.** **14-03**

(74) *Attorney, Agent, or Firm* — Faegre Drinker Biddle &
Reath LLP

(52) **U.S. Cl.**

USPC **D14/126**; D14/128

(58) **Field of Classification Search**

USPC D14/126–130

CPC G06F 1/16; G06F 1/1601; G06F 1/1637;

H04N 5/64; H05K 5/0204; H05K 5/0017;

H05K 5/0217

See application file for complete search history.

(57) **CLAIM**

The ornamental design for a television, as shown and
described.

DESCRIPTION

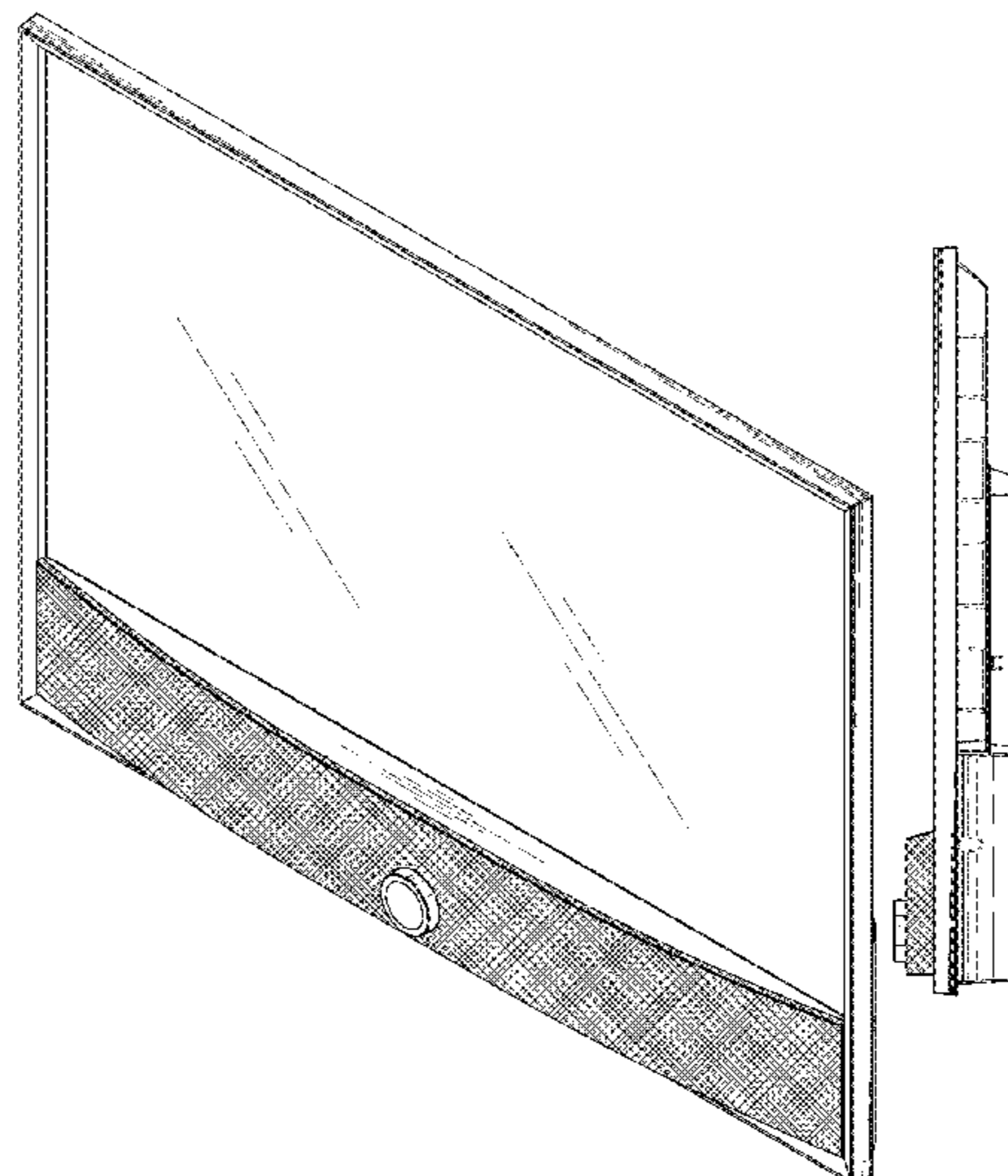
FIG. 1 is a front perspective view of a television in a first
configuration, illustrating our new design;
FIG. 2 is a front elevation view thereof;
FIG. 3 is a rear elevation view thereof;
FIG. 4 is a left side elevation view thereof;
FIG. 5 is a right side elevation view thereof;
FIG. 6 is a top plan view thereof;
FIG. 7 is a bottom plan view thereof; and,
FIG. 8 is another front elevation view of the television in a
second configuration in which indicia and symbols are
illuminated and visible through a mesh covering.
The broken lines in the drawings illustrate portions of the
television that form no part of the claimed design.

(56) **References Cited**

U.S. PATENT DOCUMENTS

D408,416 S * 4/1999 Fenner D14/126
D494,173 S * 8/2004 Lin D14/374
D499,386 S * 12/2004 Yang D14/126
D508,471 S * 8/2005 Chen D14/128
D513,002 S * 12/2005 Lin D14/371
D528,518 S * 9/2006 Kim
D532,764 S * 11/2006 Kim D14/128
D534,883 S * 1/2007 Kang D14/128
D535,267 S * 1/2007 Kang et al.
D539,766 S * 4/2007 Kita D14/126
D540,282 S * 4/2007 Kita D14/126
D541,763 S * 5/2007 Kim D14/126

1 Claim, 6 Drawing Sheets



(56)

References Cited

U.S. PATENT DOCUMENTS

D564,988	S *	3/2008	Iijima	D14/126
D572,213	S *	7/2008	Shih	D14/125
D576,119	S *	9/2008	Shih	D14/126
D579,889	S	11/2008	Noh	
D580,896	S *	11/2008	Niitsu	D14/126
D588,562	S *	3/2009	Yamaguchi	D14/126
D610,104	S *	2/2010	Yamaguchi	D14/126
D610,561	S *	2/2010	Yamaguchi	D14/126
D629,372	S *	12/2010	Lim	D14/126
D629,768	S *	12/2010	Tako	D14/126
D631,046	S *	1/2011	Chien	D14/371
D640,214	S *	6/2011	Inoue	D14/126
D646,242	S *	10/2011	Honda	D14/126
D650,765	S *	12/2011	Ho	D14/126
D678,874	S *	3/2013	Quijano	D14/337
D713,807	S	9/2014	Seo et al.	
D727,271	S *	4/2015	Shi	D13/162
D742,862	S	11/2015	Kim et al.	
D743,373	S	11/2015	Kim et al.	
D744,976	S	12/2015	Snyder et al.	
D754,087	S	4/2016	Ryu et al.	
D784,269	S *	4/2017	Bhattacharya	D13/162
D826,792	S	8/2018	Kim et al.	
D837,172	S *	1/2019	Haugen	D14/126
2004/0155166	A1 *	8/2004	Kim	F16M 11/10 248/291.1

* cited by examiner

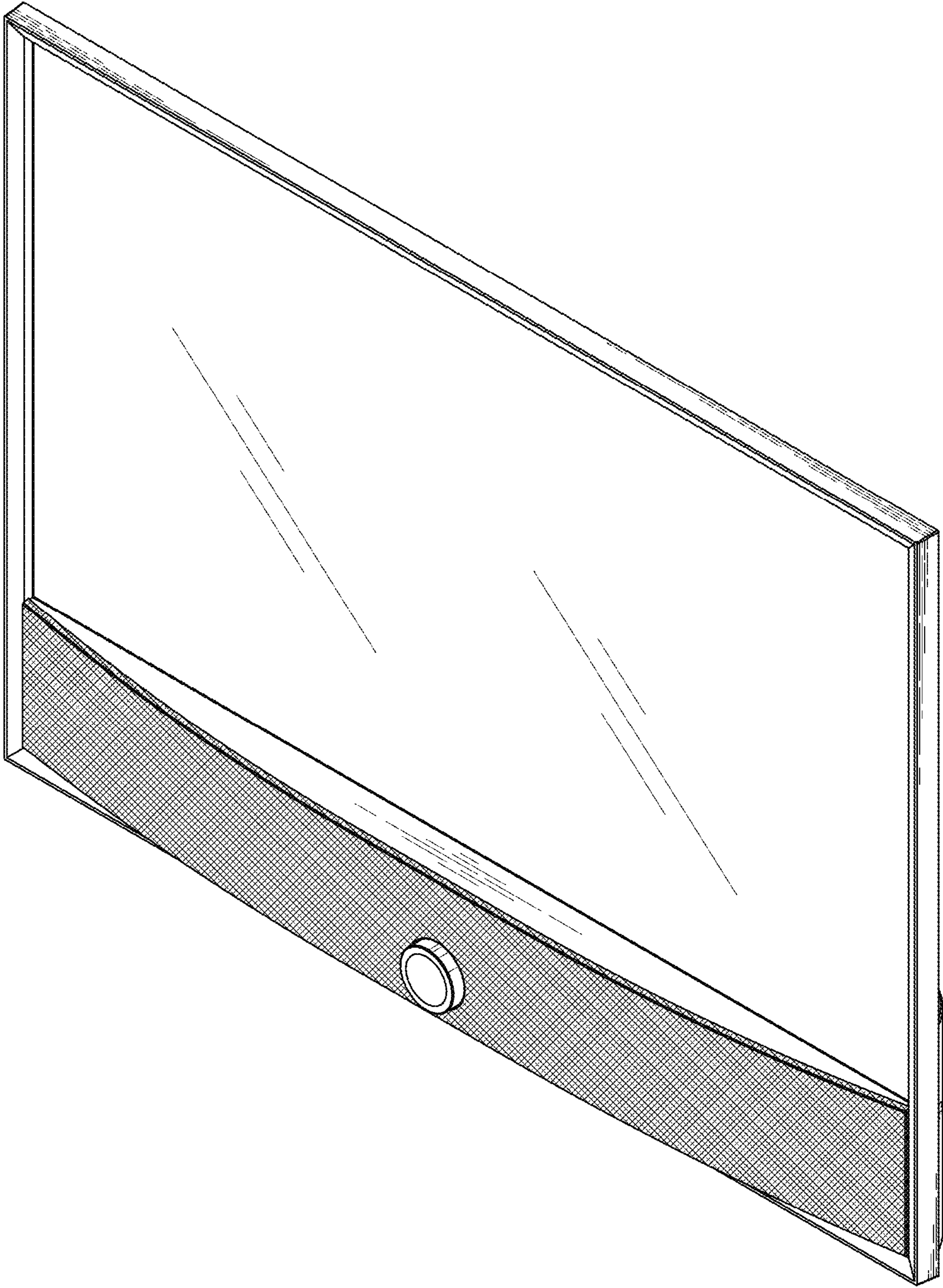


FIG. 1

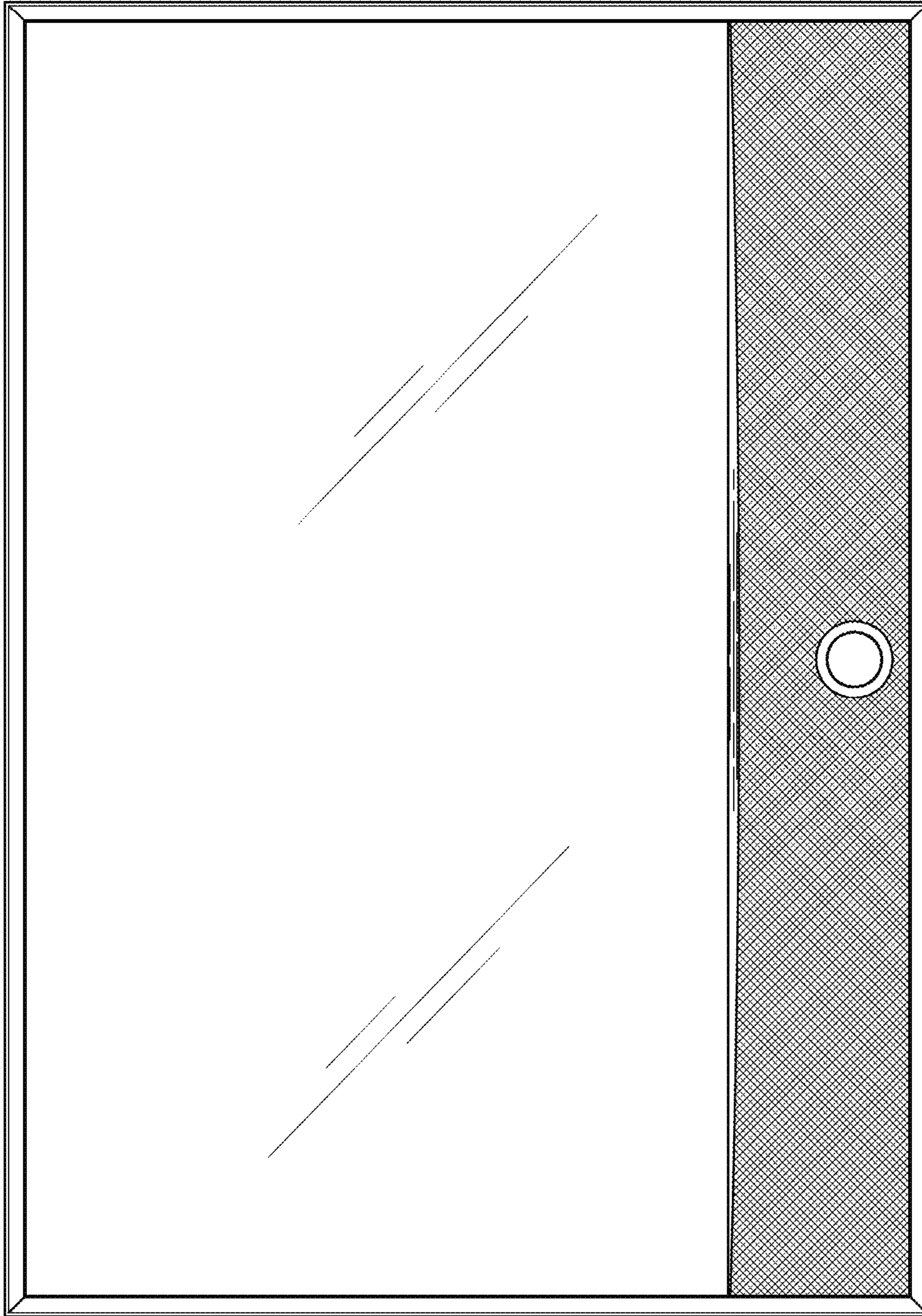


FIG. 2

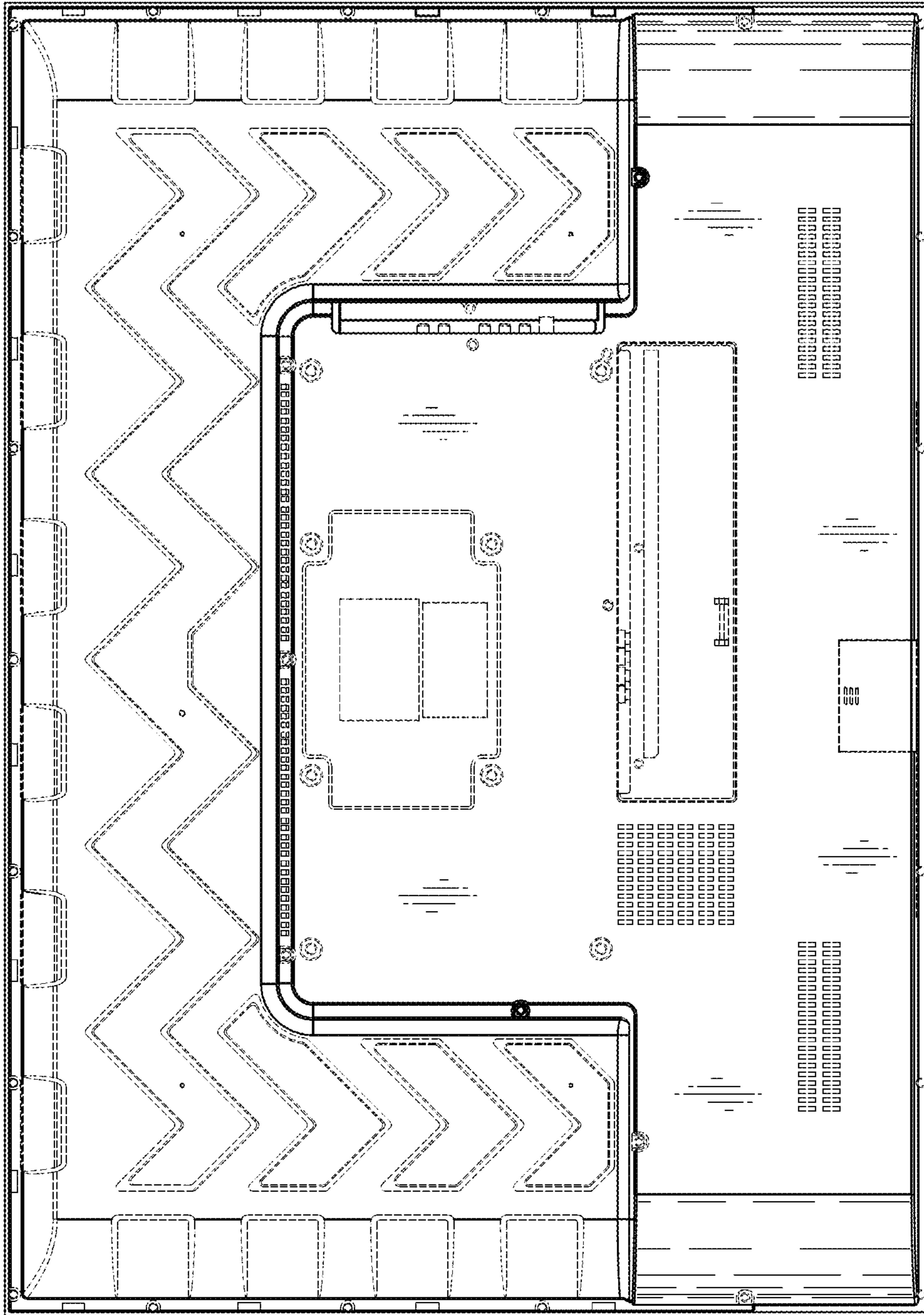


FIG. 3

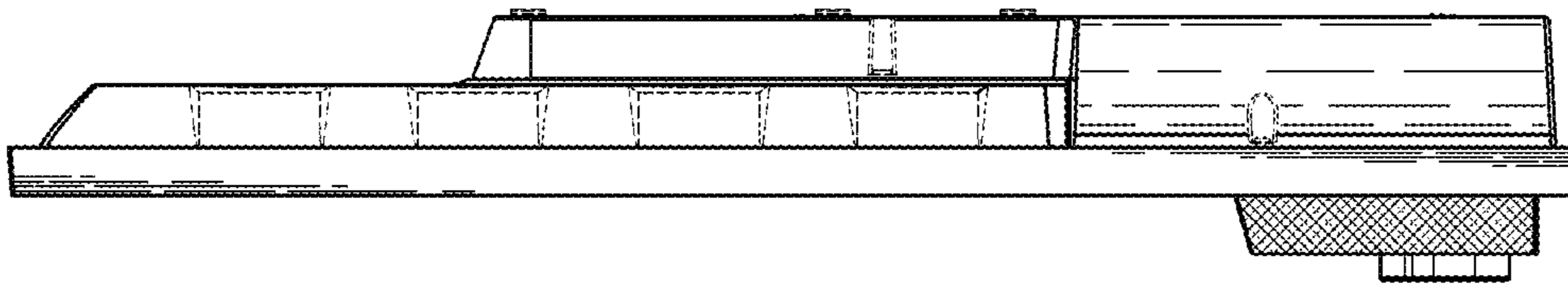


FIG. 5

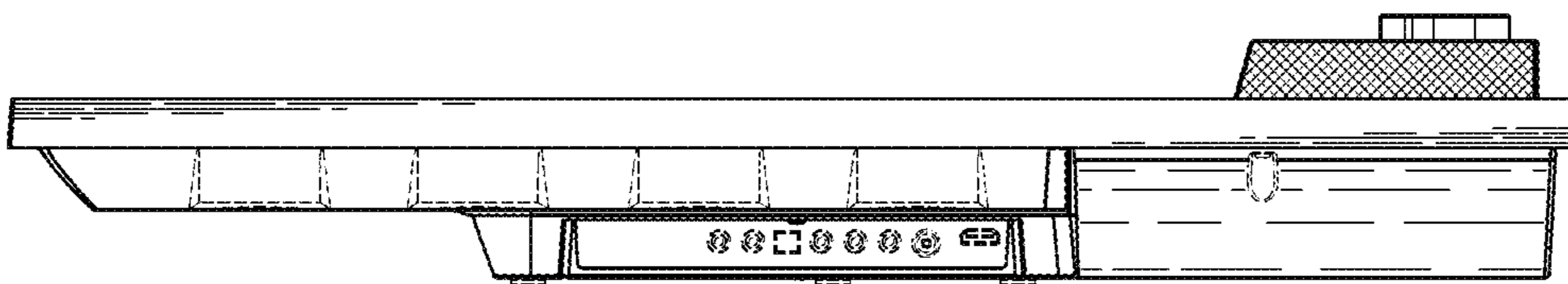


FIG. 4

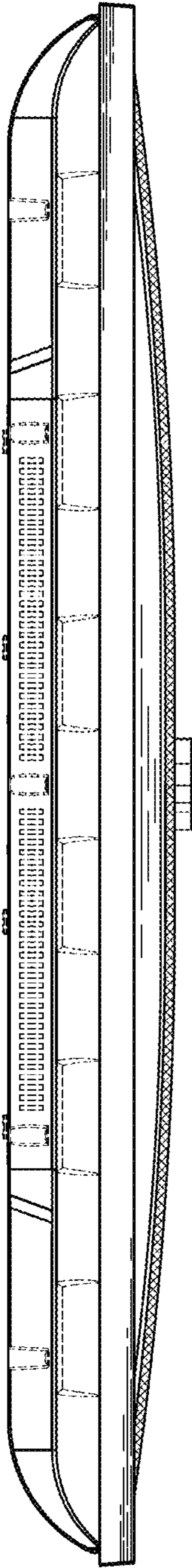


FIG. 6

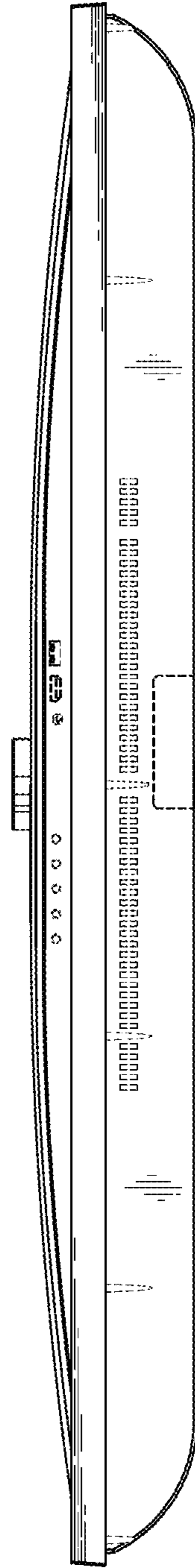


FIG. 7

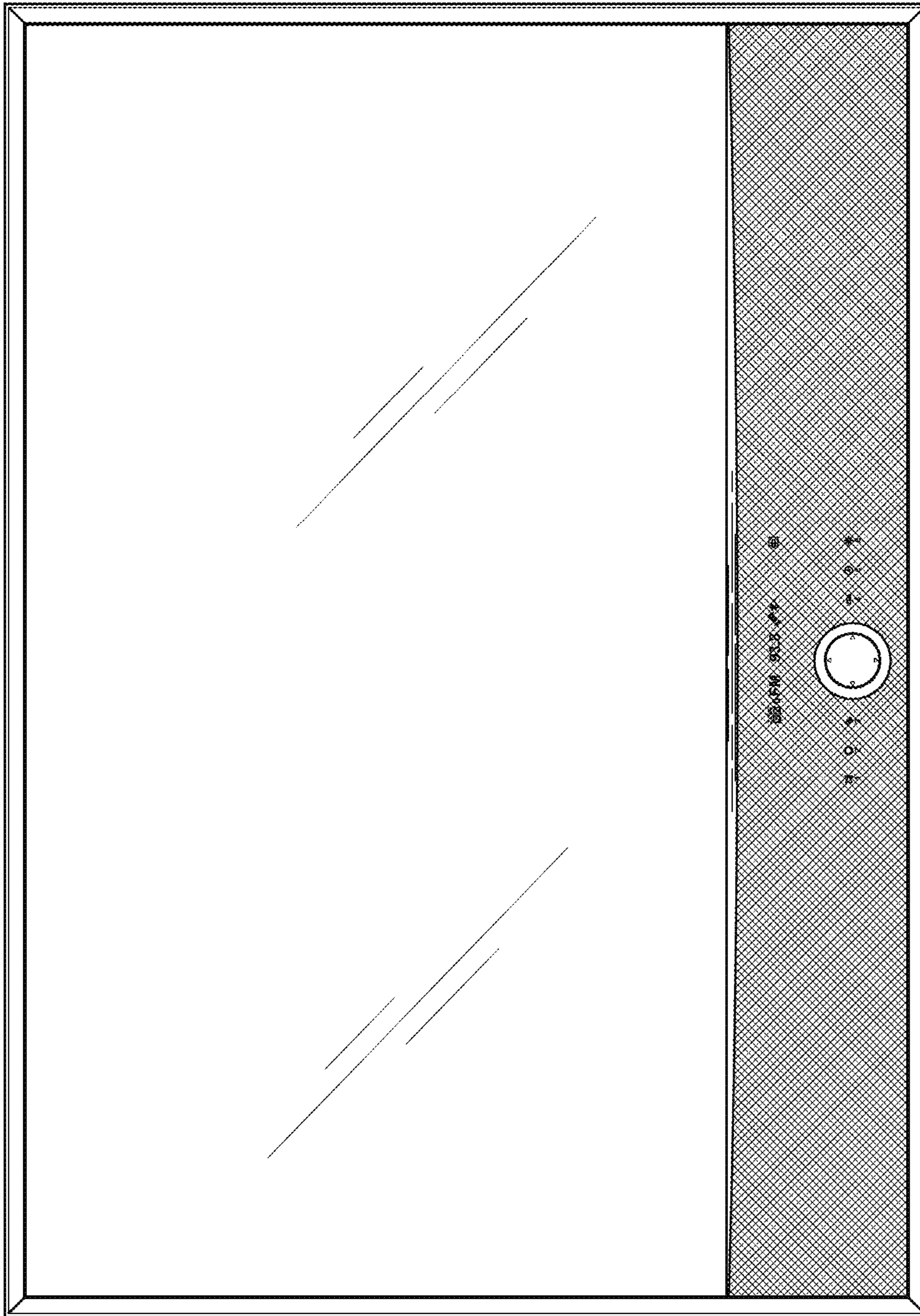


FIG. 8