



US00D894135S

(12) **United States Design Patent**
Rostron et al.

(10) **Patent No.:** **US D894,135 S**
(45) **Date of Patent:** **** Aug. 25, 2020**

- (54) **HIGH VOLTAGE ELECTRIC POWER SWITCH WITH TURNED-OUT LINE TAPS**
- (71) Applicant: **Southern States, LLC**, Hampton, GA (US)
- (72) Inventors: **Joseph R Rostron**, Hampton, GA (US);
Todd Douthit, Hampton, GA (US);
Teng Hu, Hampton, GA (US)
- (73) Assignee: **Southern States LLC**, Hampton, GA (US)
- (**) Term: **15 Years**

8,440,930	B2 *	5/2013	Lee	H01H 3/46	218/140
D686,165	S *	7/2013	Bullock	D13/158	
D692,839	S *	11/2013	Shang	D13/158	
D693,313	S *	11/2013	Bullock	D13/158	
8,642,912	B2 *	2/2014	Lee	H01H 33/022	218/120
8,785,804	B2 *	7/2014	Gibson	H01H 33/025	218/152
9,177,742	B2 *	11/2015	Ache	H01H 33/6662	
9,251,972	B2 *	2/2016	Belloni	H01H 33/66207	
D760,174	S *	6/2016	Rizzi	D13/158	
D773,403	S *	12/2016	Shang	D13/158	
D871,354	S *	12/2019	Nishimura	D13/158	
D874,407	S *	2/2020	Gentsch	D13/158	

(Continued)

- (21) Appl. No.: **29/677,814**
- (22) Filed: **Jan. 23, 2019**
- (51) **LOC (12) Cl.** **13-03**
- (52) **U.S. Cl.**
USPC **D13/158**; D13/129
- (58) **Field of Classification Search**
USPC D13/107, 108, 110, 123, 129–133, 154,
D13/158–160, 173, 177, 178, 184, 199
CPC .. H01H 1/42; H01H 1/50; H01H 3/00; H01H
9/00; H01H 9/02; H01H 31/00; H01H
31/02; H01H 31/28; H01H 33/00; H01H
33/02; H01H 33/04; H01H 33/12; H01H
33/28; H01R 11/09
See application file for complete search history.

Primary Examiner — Angela J Lee
Assistant Examiner — Shawn T Gingrich
 (74) *Attorney, Agent, or Firm* — Mehrman Law Office;
 Michael J. Mehrman

(57) **CLAIM**

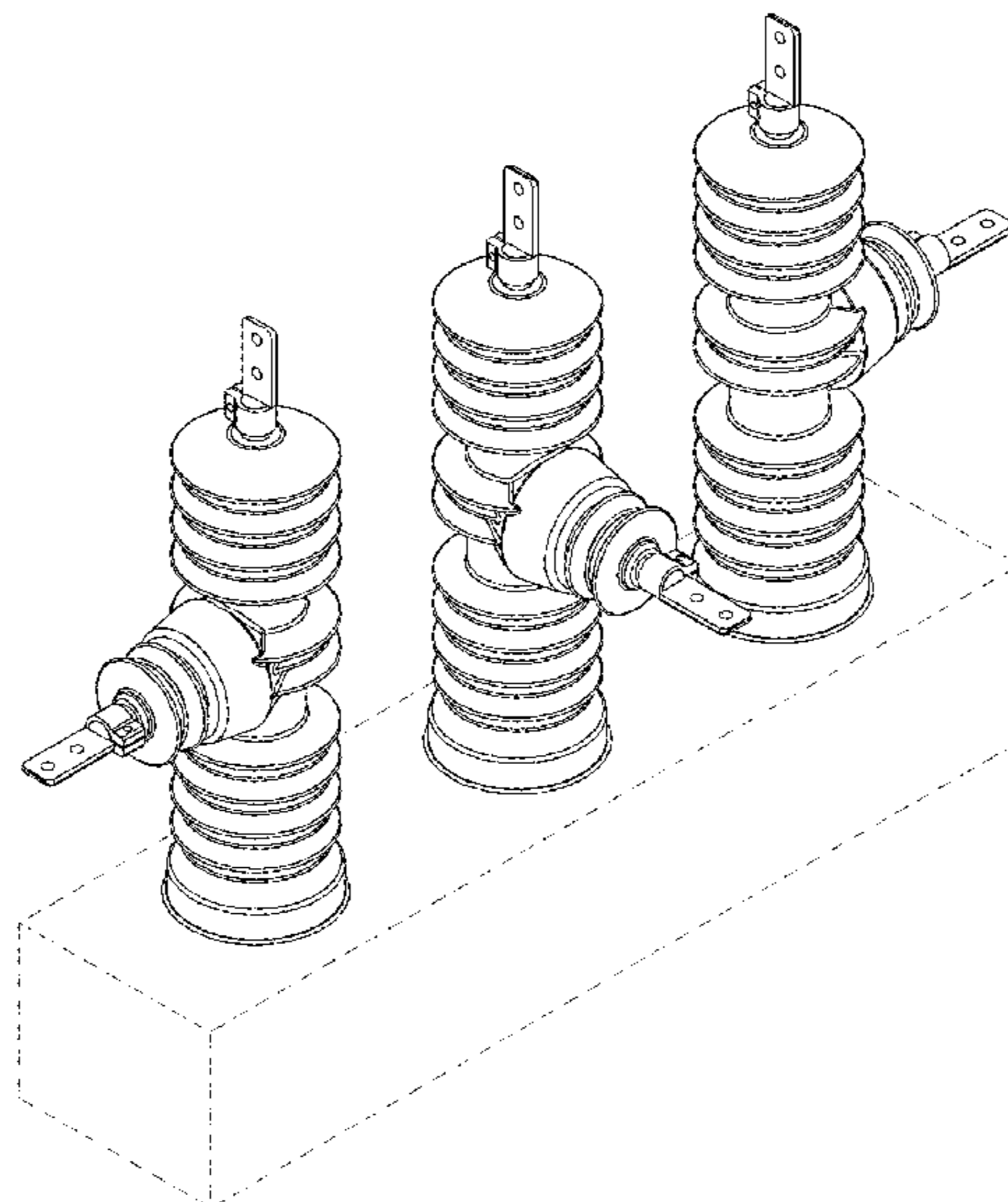
The ornamental design for a high voltage electric power switch with turned-out line taps, as shown and described herein.

DESCRIPTION

FIG. 1 is a perspective top view of a high voltage electric power switch with turned-out line taps.
 FIG. 2 is a front side view of the high voltage electric power switch with turned-out line taps.
 FIG. 3 is a right side view of the high voltage electric power switch with turned-out line taps.
 FIG. 4 is a left side view of the high voltage electric power switch with turned-out line taps; and,
 FIG. 5 is a top view of the high voltage electric power switch with turned-out line taps.
 The broken line portion of the figure drawings is included to show portions of the article that form no part of the claimed design.

- (56) **References Cited**
U.S. PATENT DOCUMENTS
- 2,810,799 A * 10/1957 Carmichael H01H 31/16
200/48 R
- 5,321,221 A * 6/1994 Rozier H01H 1/5833
218/2
- 6,198,062 B1 * 3/2001 Mather H01H 33/022
218/120
- D531,132 S * 10/2006 McCord D13/158
- D583,332 S * 12/2008 Shang D13/158

1 Claim, 2 Drawing Sheets



(56)

References Cited

U.S. PATENT DOCUMENTS

2008/0012720 A1* 1/2008 Rostron G01R 1/04
340/664
2010/0170774 A1* 7/2010 Einschenk H01H 33/027
200/48 R
2013/0187733 A1* 7/2013 Bullock H01H 33/6661
335/13

* cited by examiner

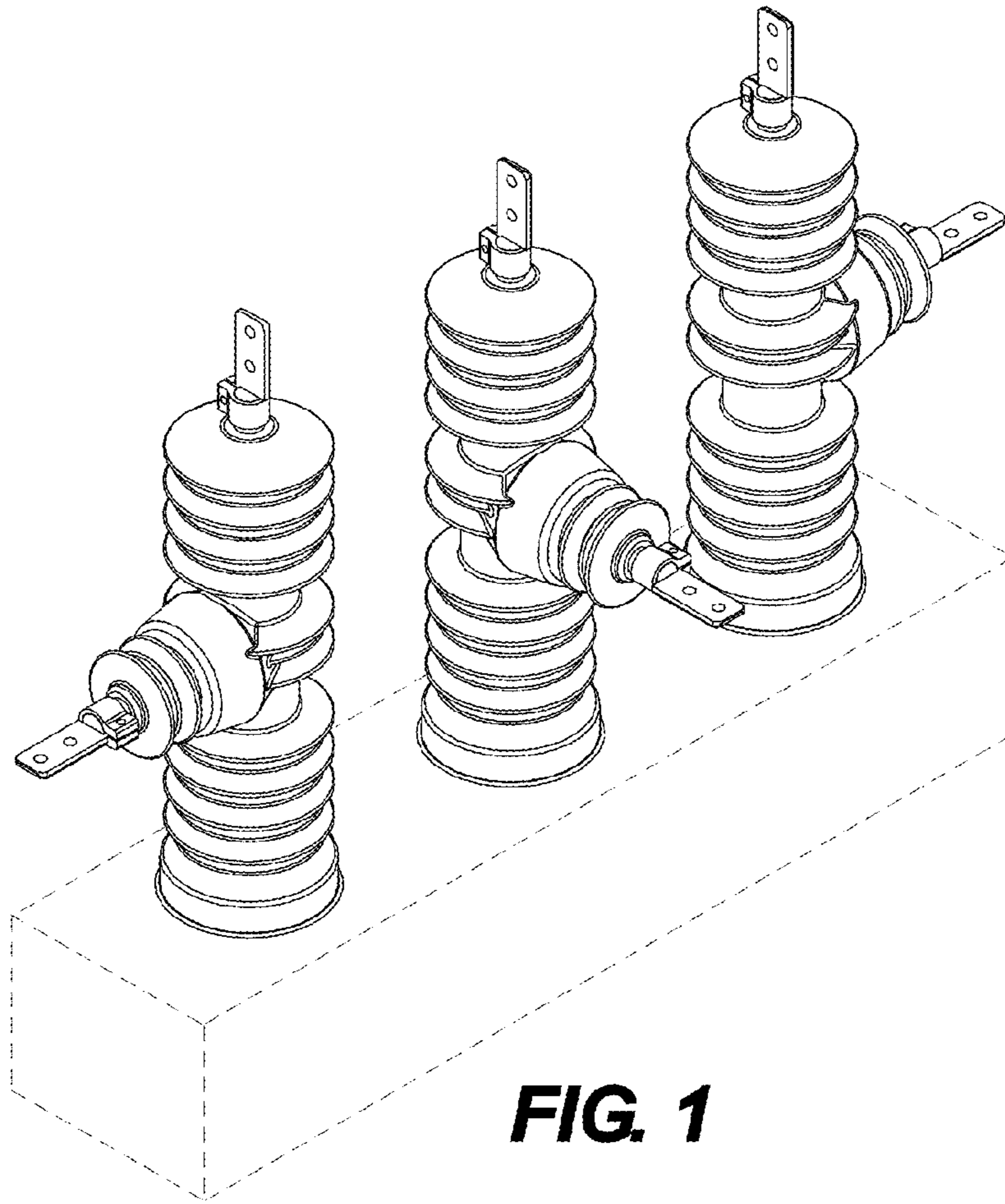


FIG. 1

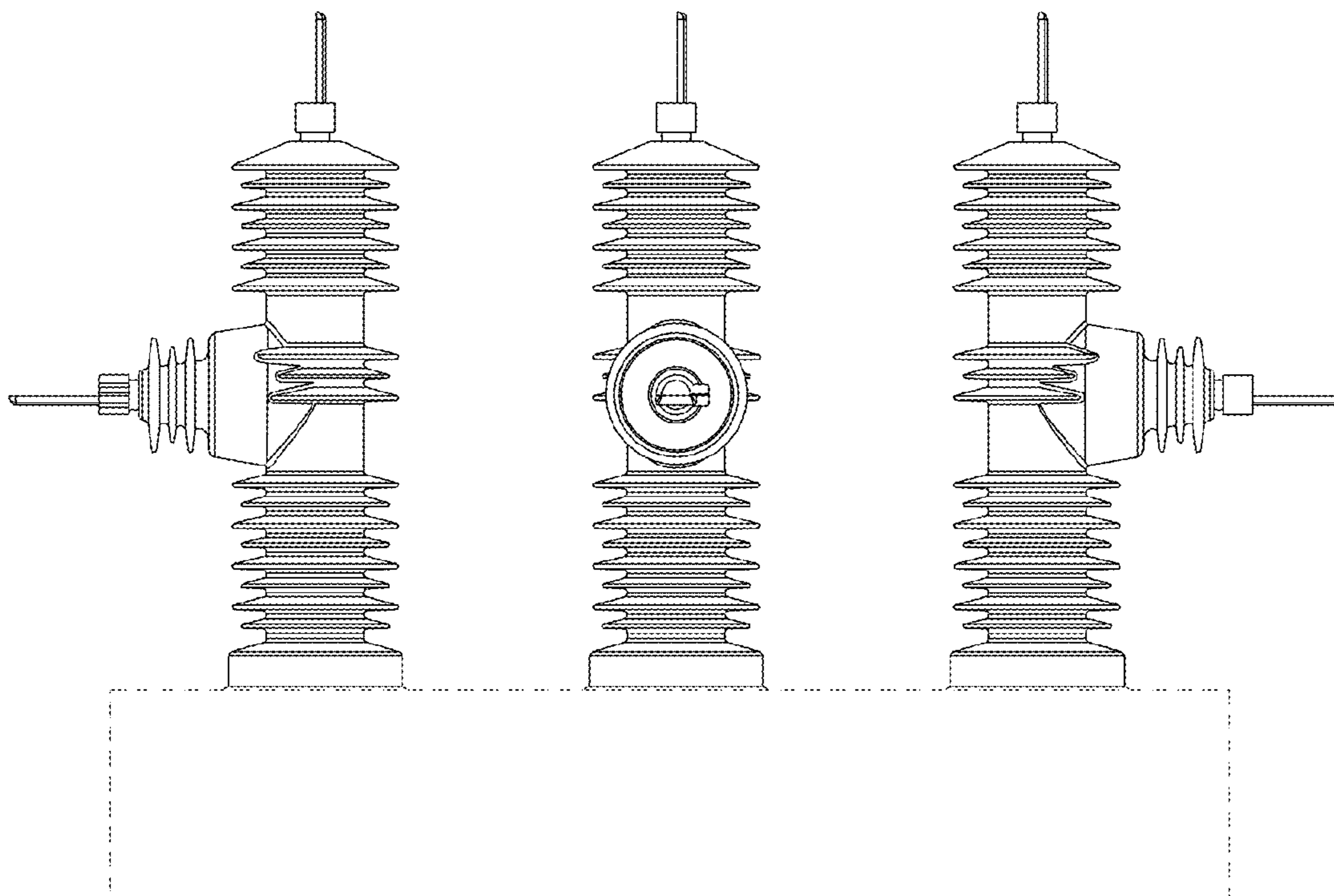


FIG. 2

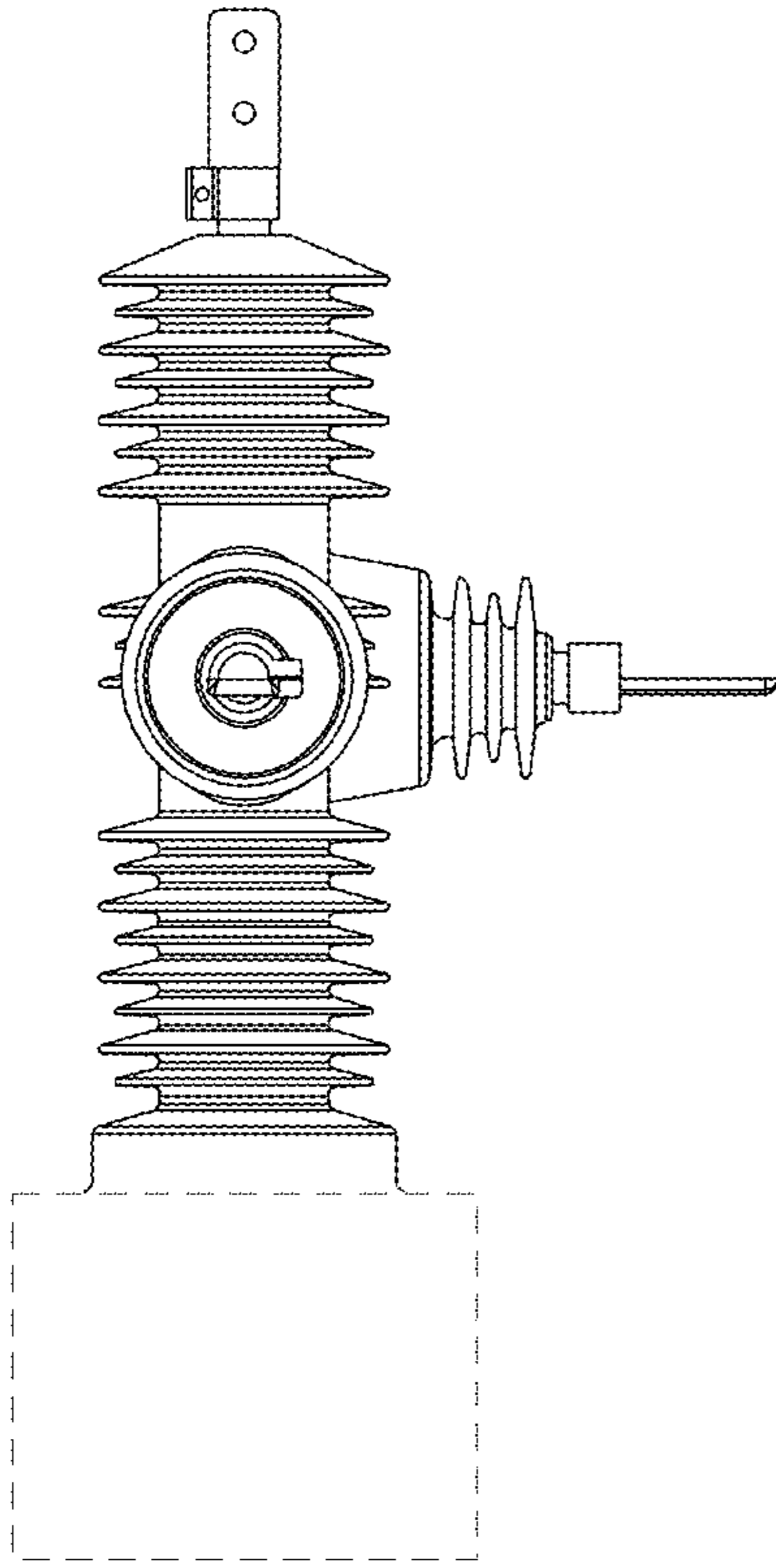


FIG. 3

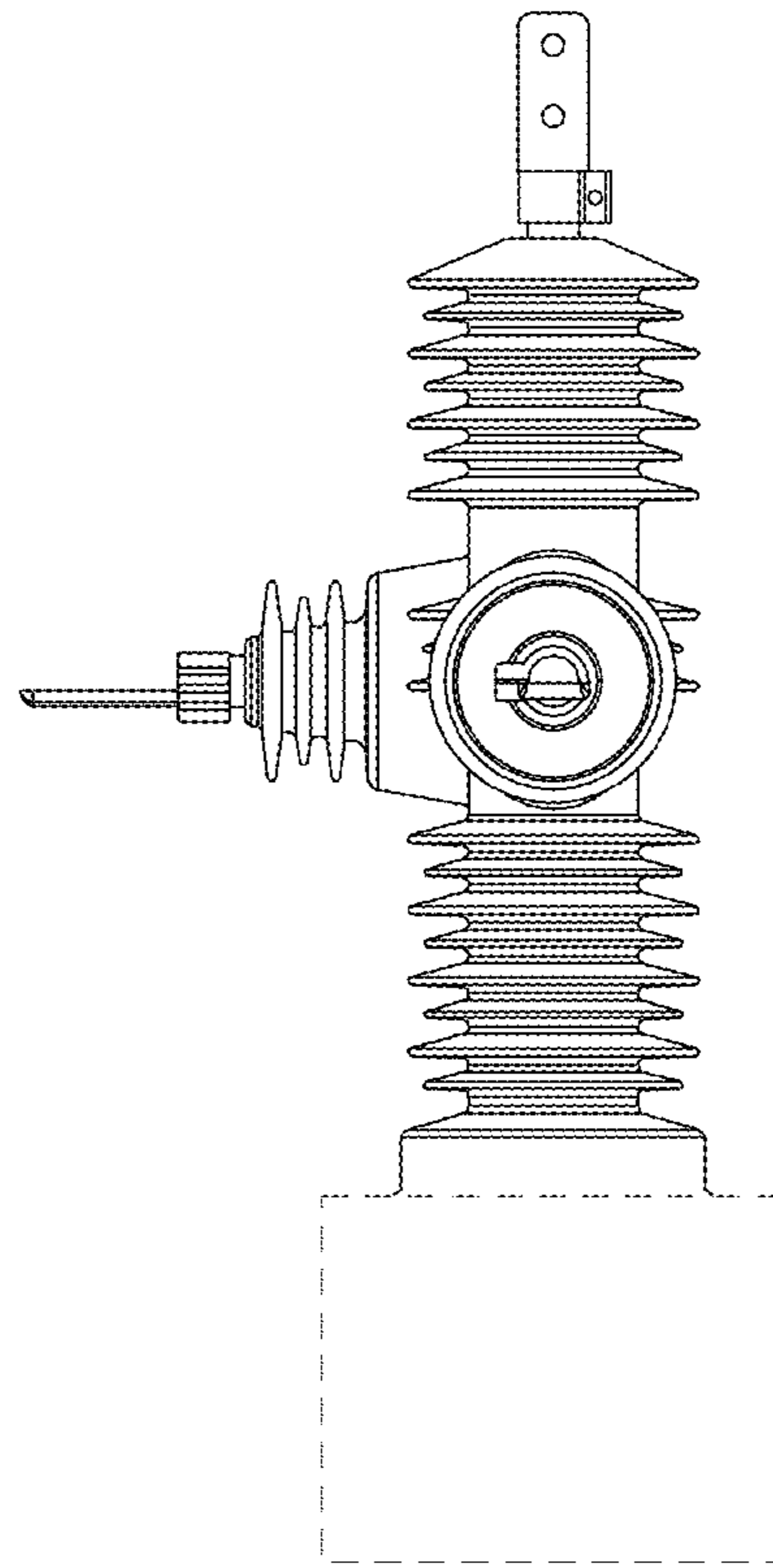


FIG. 4

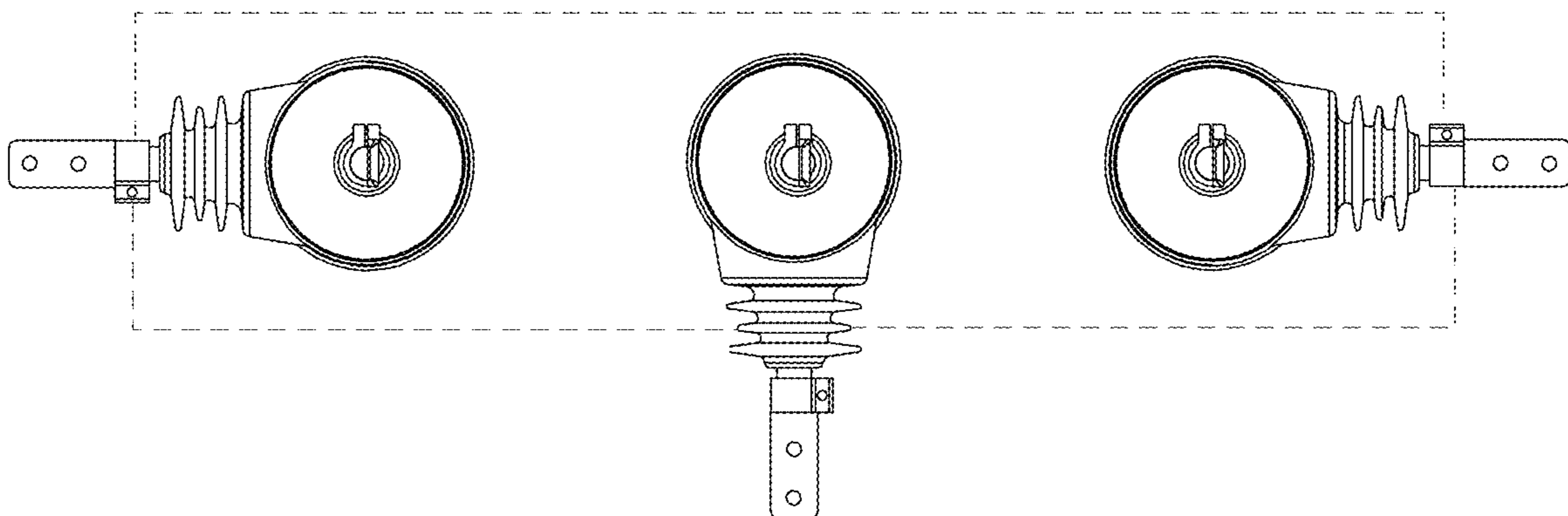


FIG. 5