



US00D894131S

(12) **United States Design Patent**  
**Biere**

(10) **Patent No.:** **US D894,131 S**

(45) **Date of Patent:** **\*\* Aug. 25, 2020**

(54) **PLUG ASSEMBLY**

(71) Applicant: **Lester Electrical**, Lincoln, NE (US)

(72) Inventor: **David A. Biere**, Kearney, NE (US)

(73) Assignee: **Lester Electrical**, Lincoln, NE (US)

(\*\*) Term: **15 Years**

(21) Appl. No.: **29/658,800**

(22) Filed: **Aug. 2, 2018**

(51) **LOC (12) Cl.** ..... **13-03**

(52) **U.S. Cl.**

USPC ..... **D13/146**

(58) **Field of Classification Search**

USPC ..... D13/123, 133, 146, 147, 152, 154, 156,  
D13/158, 173, 177, 184, 199, 242, 107,  
D13/108, 110, 112, 118, 120, 145, 149,  
D13/150, 151, 153, 155, 157; D14/240,  
D14/242, 433, 434, 435.1, 438; D26/129

CPC ..... H01R 12/73

See application file for complete search history.

(56) **References Cited**

**U.S. PATENT DOCUMENTS**

|              |         |               |       |         |
|--------------|---------|---------------|-------|---------|
| D184,294 S * | 1/1959  | Swan          | ..... | D13/146 |
| D320,001 S * | 9/1991  | Hirabayashi   | ..... | D13/146 |
| D415,469 S * | 10/1999 | Lee           | ..... | D13/146 |
| D424,020 S * | 5/2000  | Fischer       | ..... | 439/349 |
| D445,092 S * | 7/2001  | Lee           | ..... | D13/146 |
| D445,764 S * | 7/2001  | Lee           | ..... | D13/146 |
| D472,215 S * | 3/2003  | Hamamura      | ..... | D13/146 |
| D524,741 S * | 7/2006  | Bihrer        | ..... | D13/146 |
| D705,738 S * | 5/2014  | Schmidt       | ..... | D13/146 |
| D707,181 S * | 6/2014  | Schmidt       | ..... | D13/147 |
| D715,227 S * | 10/2014 | Leem          | ..... | D13/146 |
| D746,777 S * | 1/2016  | Laven         | ..... | D13/146 |
| D753,065 S * | 4/2016  | Corona        | ..... | D13/146 |
| D775,591 S * | 1/2017  | Davidson, Jr. | ..... | D13/153 |

|                 |         |         |       |              |
|-----------------|---------|---------|-------|--------------|
| D816,040 S *    | 4/2018  | Corona  | ..... | D13/146      |
| D820,790 S *    | 6/2018  | Rief    | ..... | D13/146      |
| 10,198,391 B2 * | 2/2019  | Duffy   | ..... | G06F 13/4081 |
| D852,137 S *    | 6/2019  | Sasaki  | ..... | D13/133      |
| D858,453 S *    | 9/2019  | Lang    | ..... | D13/146      |
| D868,001 S *    | 11/2019 | Joniak  | ..... | D13/146      |
| 10,466,073 B2 * | 11/2019 | Katsura | ..... | H03K 17/952  |

**OTHER PUBLICATIONS**

Golf Cart Tire Supply. 48-Volt Club Car Battery Charger—PowerDrive Plug 48V. No date specified. <https://www.golfcarttiresupply.com/48-volt-club-car-battery-charger-powerdrive-plug-48v/> (Year: 0).\*

Fat Cat Golf. Battery Charger, Lester Links Series, 48V/13A Club Car PowerDrive Plug. No date specified. <http://www.fatcatgolf.com/chargers-and-power/battery-charger-lester-links-series-48v-13a-club-car-powerdrive-plug/> (Year: 0).\*

\* cited by examiner

*Primary Examiner* — Darcey E Gottschalk

(74) *Attorney, Agent, or Firm* — Suiter Swantz pc llo

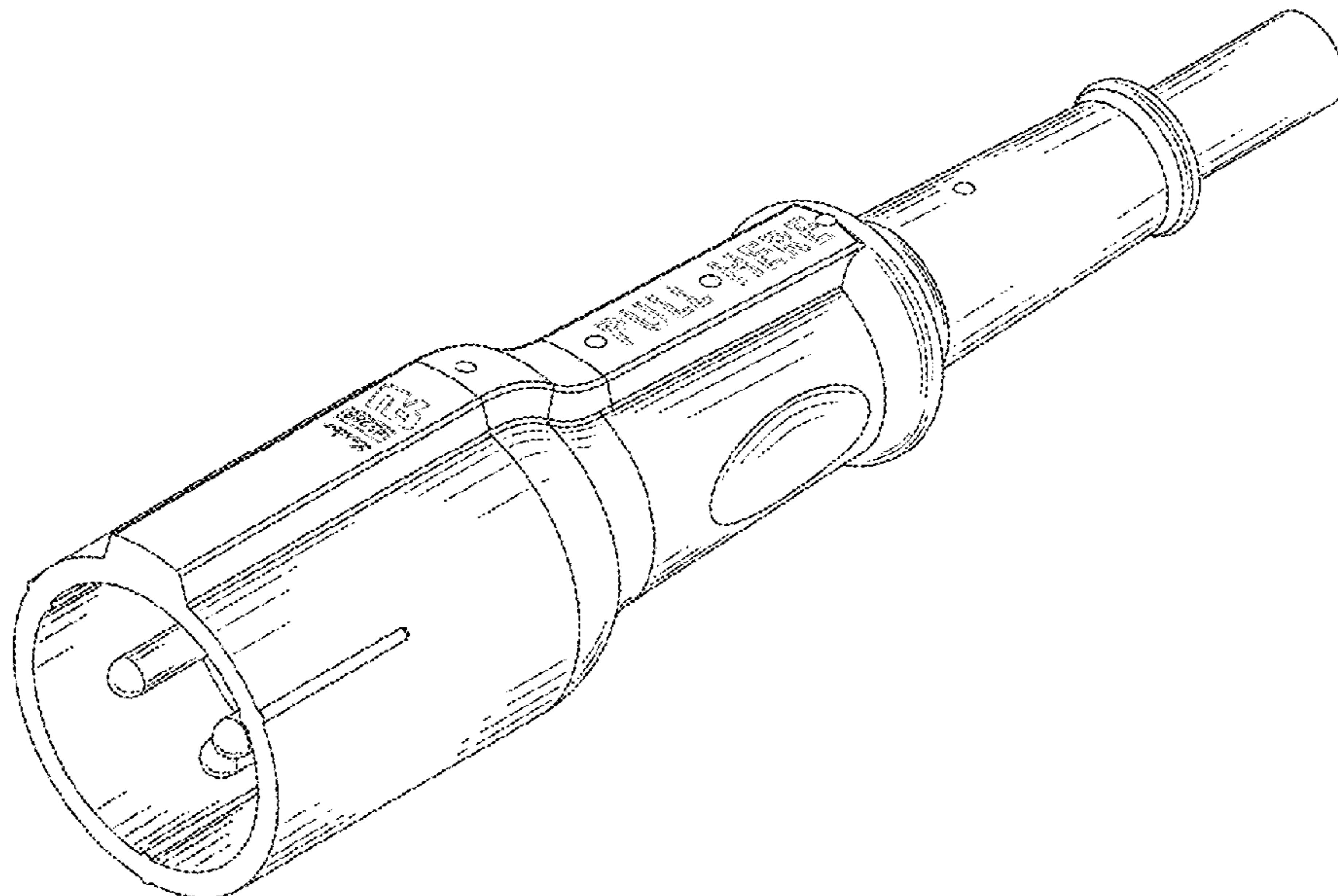
(57) **CLAIM**

The ornamental design for a plug assembly, as shown and described.

**DESCRIPTION**

FIG. 1 is a perspective view showing our new design; FIG. 2 is a top plan view thereof; FIG. 3 is a front elevation view thereof; FIG. 4 is a first side elevation view thereof; FIG. 5 is a rear elevation view thereof; FIG. 6 is a second side elevation view thereof; and, FIG. 7 is a bottom plan view thereof. The broken lines depict portions of the plug assembly that form no part of the claim.

**1 Claim, 7 Drawing Sheets**



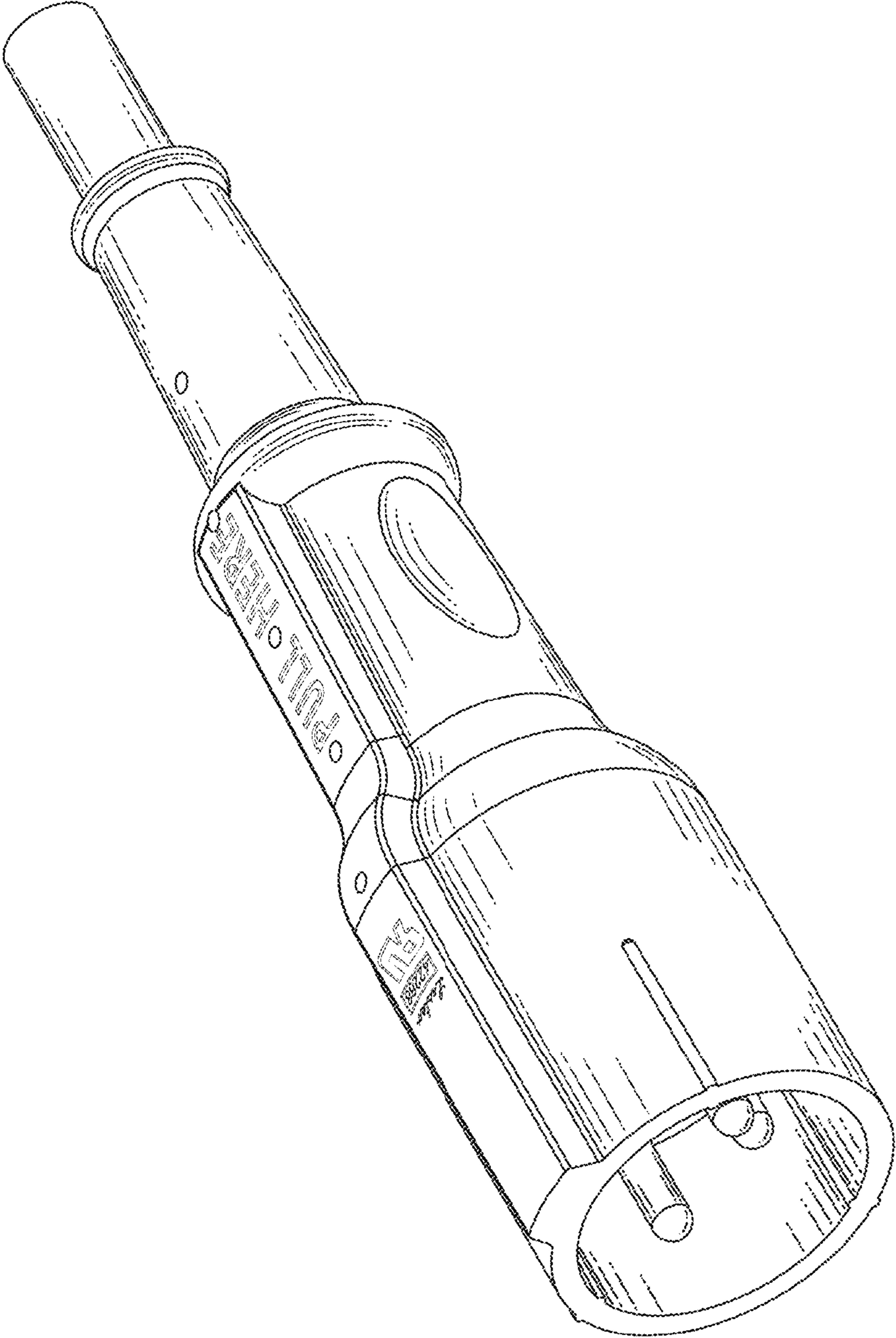


Figure 1

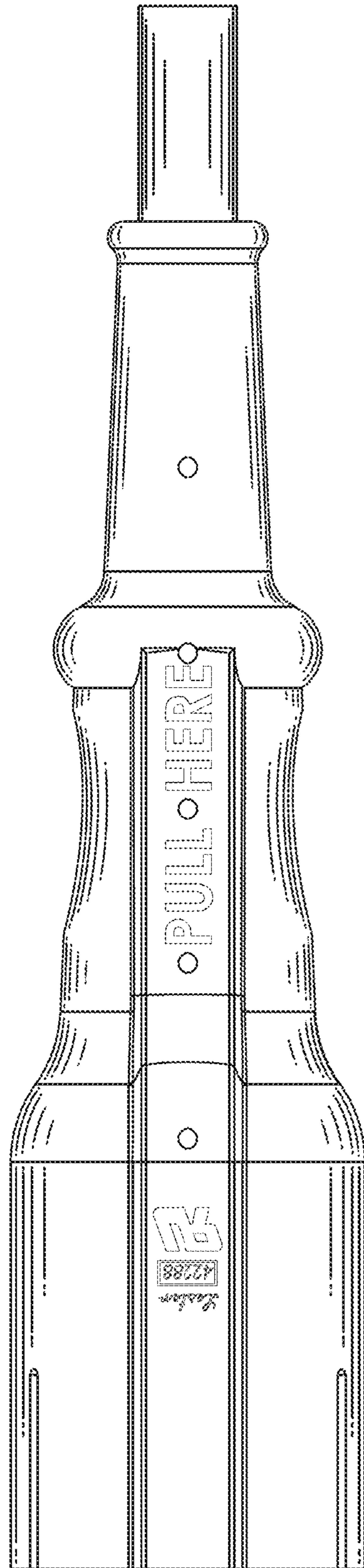


Figure 2

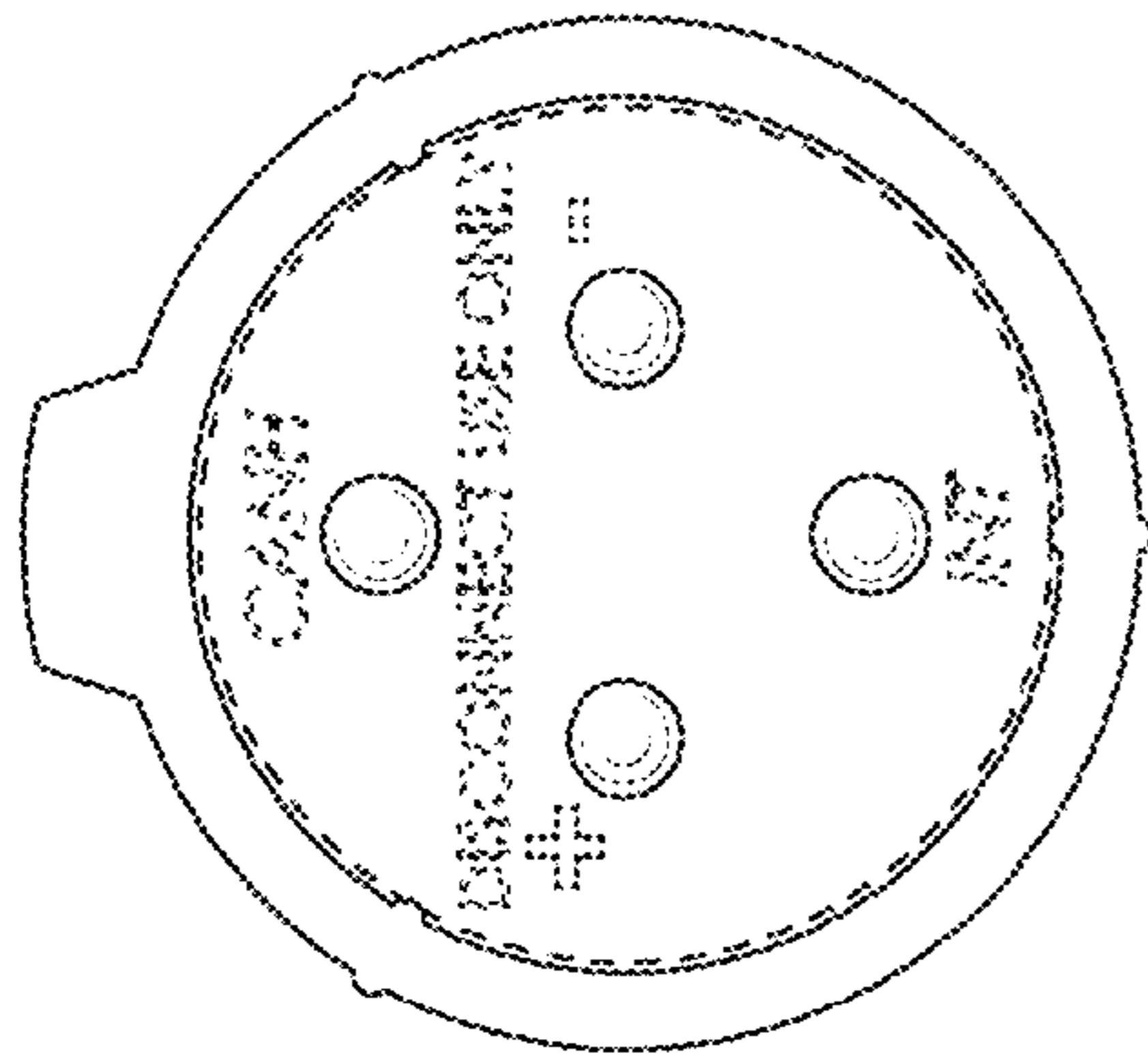


Figure 3



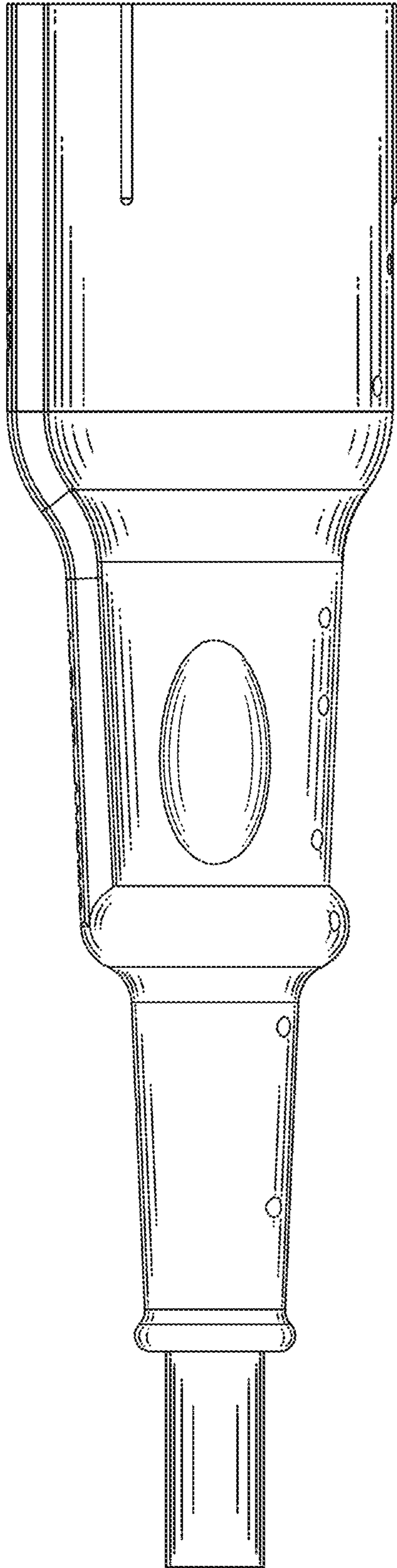


Figure 4

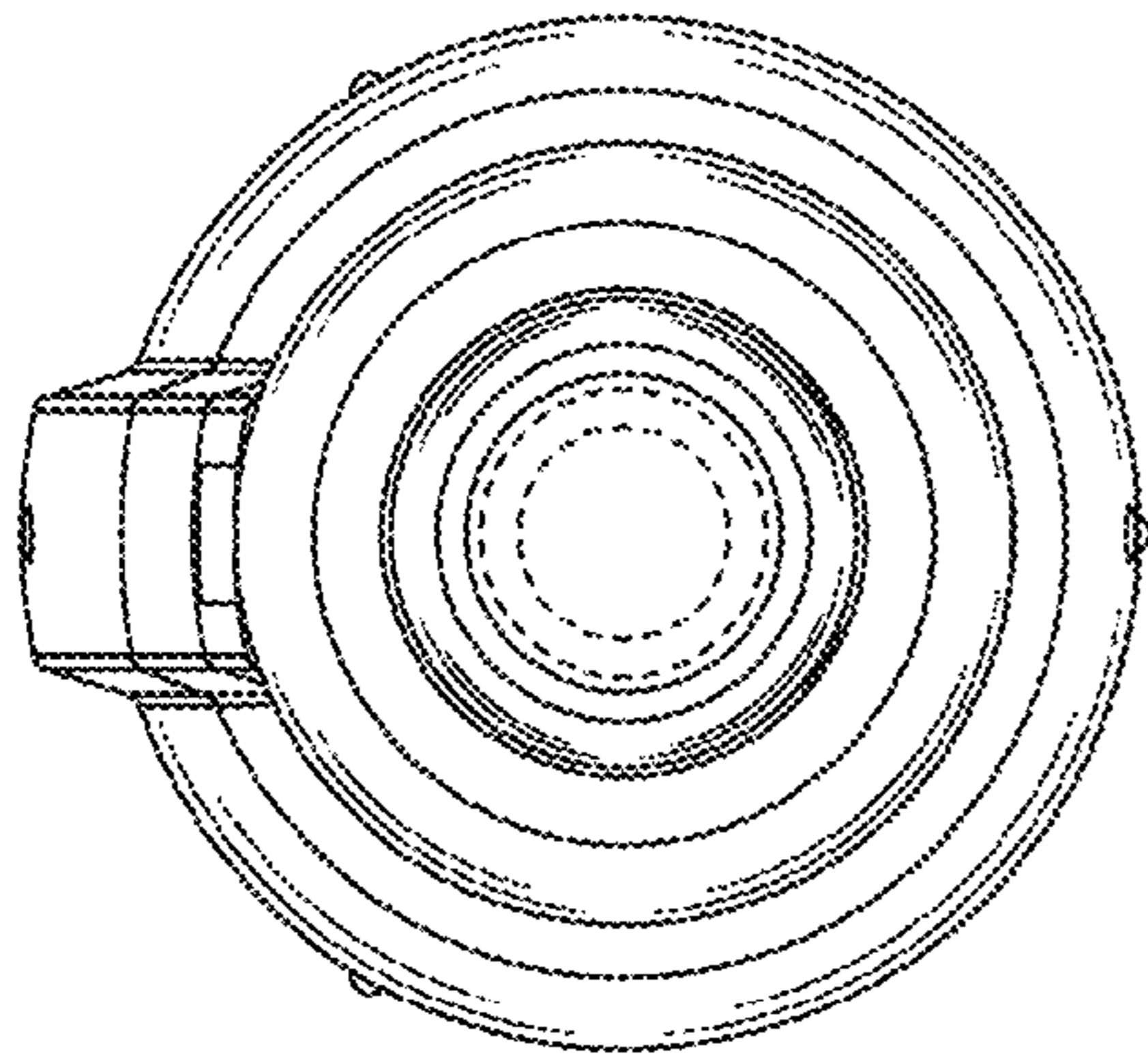


Figure 5

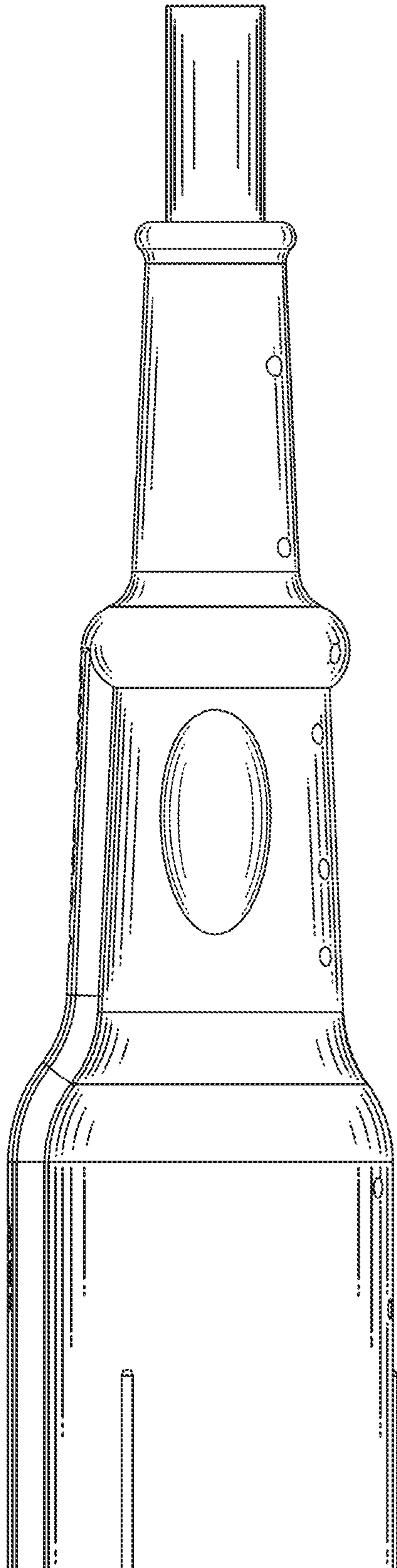


Figure 6

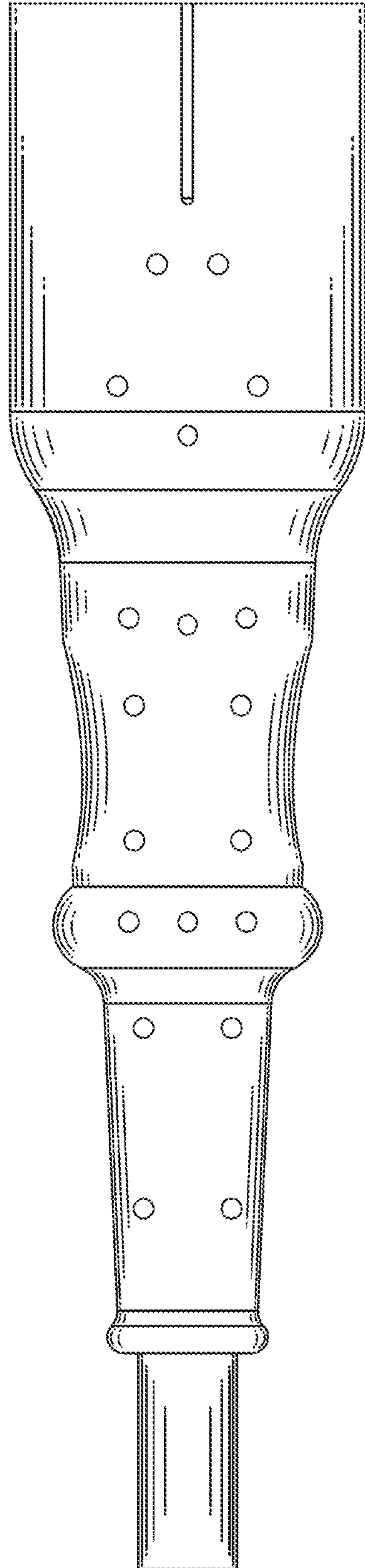


Figure 7