



US00D894128S

(12) **United States Design Patent** (10) **Patent No.:** **US D894,128 S**  
**Somanathapura Ramanna et al.** (45) **Date of Patent:** **\*\* Aug. 25, 2020**

(54) **CONNECTOR HOUSING**

(71) Applicant: **Molex, LLC**, Lisle, IL (US)

(72) Inventors: **Nrupathunga Chakravarthy Somanathapura Ramanna**, Bangalore (IN); **KrishnaPrasad Darbal Somanath**, Bangalore (IN); **Michael Gonzalez**, Lisle, IL (US)

(73) Assignee: **Molex, LLC**, Lisle, IL (US)

(\*\*) Term: **15 Years**

(21) Appl. No.: **29/681,975**

(22) Filed: **Feb. 28, 2019**

(51) **LOC (12) Cl.** ..... **13-03**

(52) **U.S. Cl.**  
USPC ..... **D13/133**

(58) **Field of Classification Search**  
USPC ..... D3/203.1-3, 209; D11/101; D13/118, D13/123, 133, 146, 147, 155, 184, 199  
(Continued)

(56) **References Cited**

**U.S. PATENT DOCUMENTS**

D251,906 S \* 5/1979 Frantz ..... D13/147  
D327,260 S \* 6/1992 Davis ..... D13/184  
(Continued)

**OTHER PUBLICATIONS**

Waterproof Connector, May 21, 2016, [online], [site visited Apr. 7, 2020], Available from Internet URL: <[https://www.amazon.com/dp/B07QFW8X9Z/ref=psdc\\_15729341\\_t5\\_B01A6LTK44](https://www.amazon.com/dp/B07QFW8X9Z/ref=psdc_15729341_t5_B01A6LTK44)> (Year: 2016).\*

(Continued)

*Primary Examiner* — Karen E Kearney

*Assistant Examiner* — Michael Chong

(74) *Attorney, Agent, or Firm* — Banner & Witcoff, Ltd.

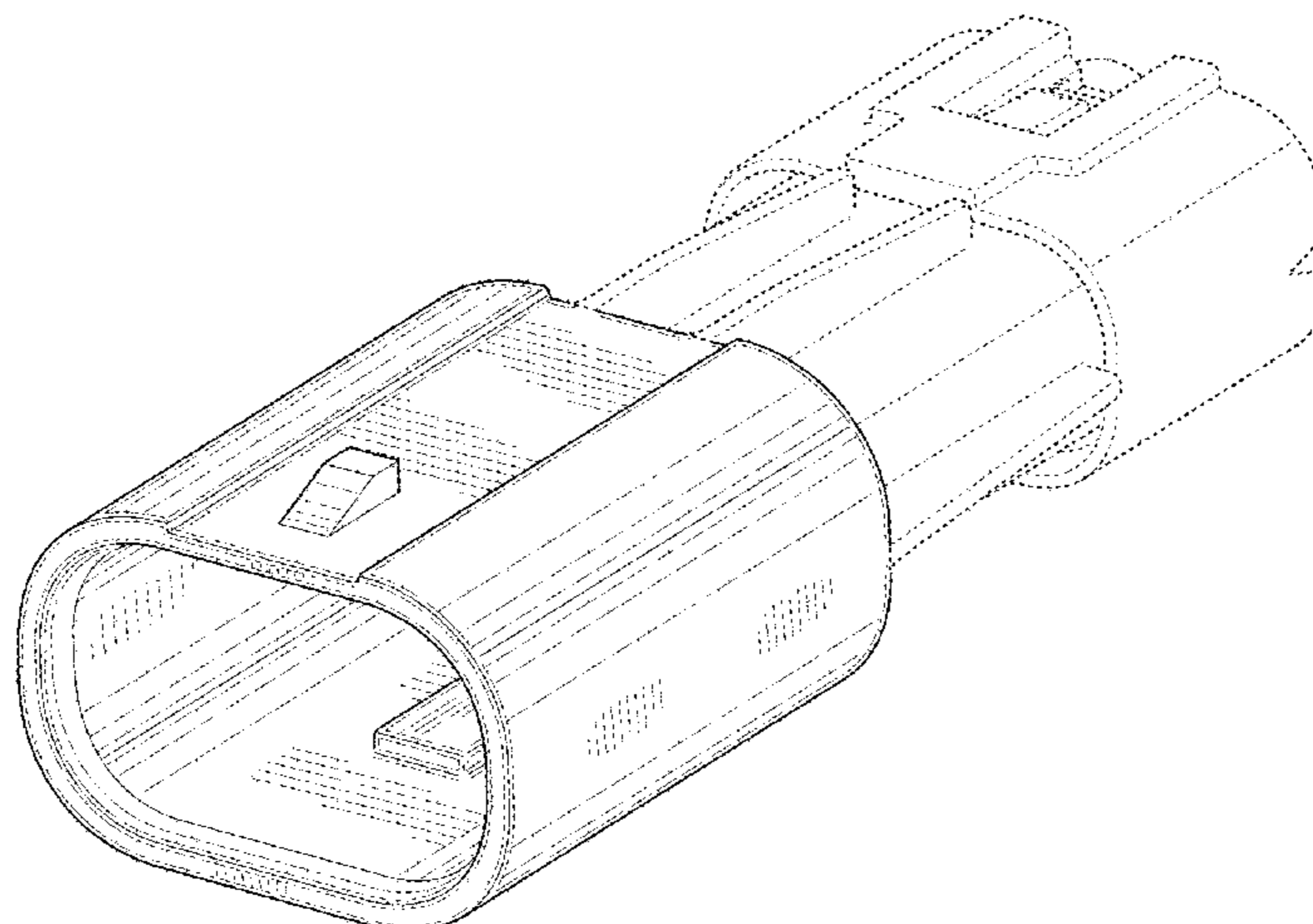
(57) **CLAIM**

The ornamental design for a connector housing, as shown and described.

**DESCRIPTION**

FIG. 1 is a front perspective view of a connector housing showing our new design;  
FIG. 2 is a rear perspective view thereof;  
FIG. 3 is a front view thereof;  
FIG. 4 is a rear view thereof;  
FIG. 5 is a bottom view thereof;  
FIG. 6 is a top view thereof;  
FIG. 7 is a right side view thereof;  
FIG. 8 is a left side view thereof;  
FIG. 9 is a front perspective view of an alternate embodiment of a connector housing showing our new design;  
FIG. 10 is a rear perspective view thereof;  
FIG. 11 is a front view thereof;  
FIG. 12 is a rear view thereof;  
FIG. 13 is a bottom view thereof;  
FIG. 14 is a top view thereof;  
FIG. 15 is a right side view thereof;  
FIG. 16 is a left side view thereof;  
FIG. 17 is a front perspective view of an alternate embodiment of a connector housing showing our new design;  
FIG. 18 is a rear perspective view thereof;  
FIG. 19 is a front view thereof;  
FIG. 20 is a rear view thereof;  
FIG. 21 is a bottom view thereof;  
FIG. 22 is a top view thereof;  
FIG. 23 is a right side view thereof;  
FIG. 24 is a left side view thereof;  
FIG. 25 is a front perspective view of an alternate embodiment of a connector housing showing our new design;  
FIG. 26 is a rear perspective view thereof;  
FIG. 27 is a front view thereof;  
FIG. 28 is a rear view thereof;  
FIG. 29 is a bottom view thereof;  
FIG. 30 is a top view thereof;  
FIG. 31 is a right side view thereof; and,  
FIG. 32 is a left side view thereof.

(Continued)



The broken lines immediately adjacent to the shaded areas represent the bounds of the claimed design and form no part thereof. The broken lines depicting the remainder of the connector housing show features that form no part of the claimed design.

**1 Claim, 32 Drawing Sheets**

(58) **Field of Classification Search**

CPC ..... H01R 12/88; H01R 12/29; H01R 13/24;  
H01R 13/52; H01R 13/506; H01R  
13/516; H01R 13/58; H01R 13/5205;  
H01R 13/627; H01R 13/6315; H01R  
13/6586; H01R 13/6597; H01R 13/213;  
H01R 13/518; H01R 13/5208; H01R  
13/5812; H01R 13/5816; H01R 13/582;  
H01R 13/59; H01R 13/659

See application file for complete search history.

(56)

**References Cited**

U.S. PATENT DOCUMENTS

5,503,568 A \* 4/1996 Pryce ..... H01R 13/5812  
439/427  
5,618,198 A \* 4/1997 Sato ..... H01R 13/5208  
439/274  
5,766,039 A \* 6/1998 Abe ..... H01R 13/5208  
439/587  
6,116,938 A \* 9/2000 Myer ..... H01R 13/6272  
439/271  
8,257,111 B1 \* 9/2012 Smutny ..... H01R 13/5208  
439/511  
D831,574 S \* 10/2018 Ramanna ..... D13/146  
10,396,490 B2 \* 8/2019 Okamura ..... H01R 13/502  
10,476,189 B2 \* 11/2019 Tsubaki ..... H01R 12/774  
D873,774 S \* 1/2020 Cao ..... D13/133  
10,615,537 B2 \* 4/2020 Shi ..... H01R 13/514

OTHER PUBLICATIONS

Connector Housing, Aug. 21, 2017, [online], Available from Internet URL: <<https://www.amazon.com/Delphi-Metri-Pack-Connector-Female-Terminal/dp/B07B8J5BZ8>> (Year: 2017).\*

\* cited by examiner

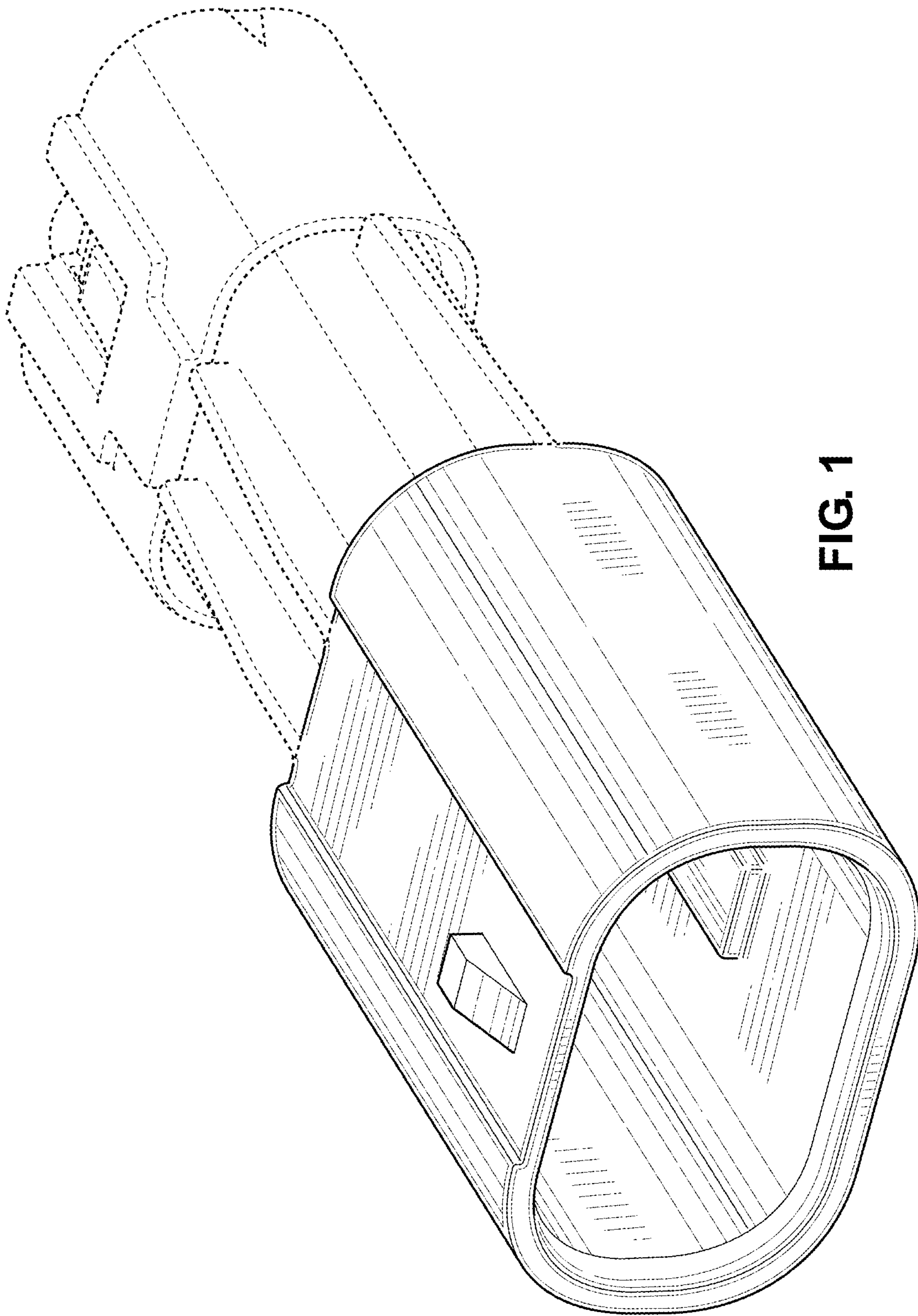


FIG. 1



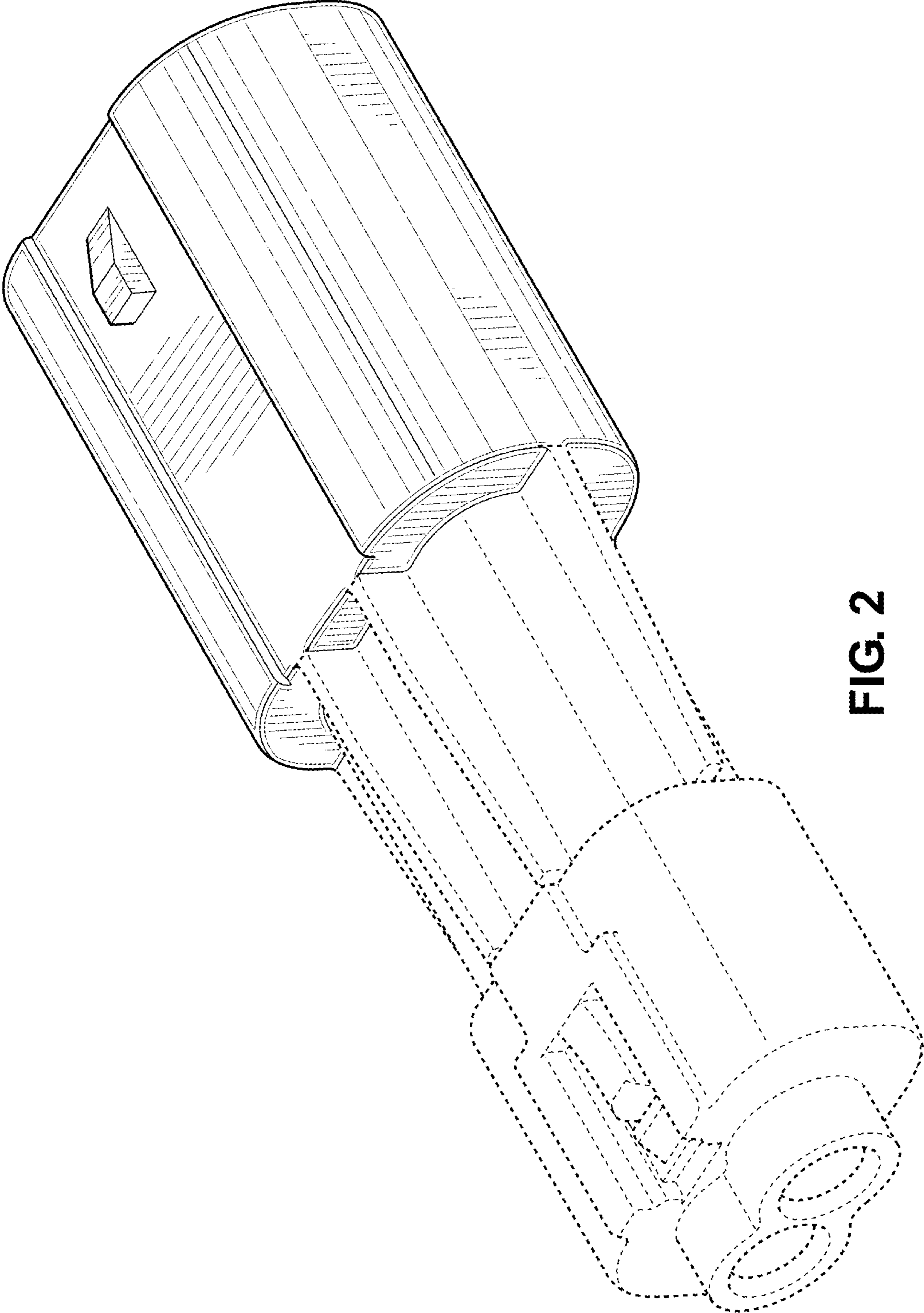


FIG. 2

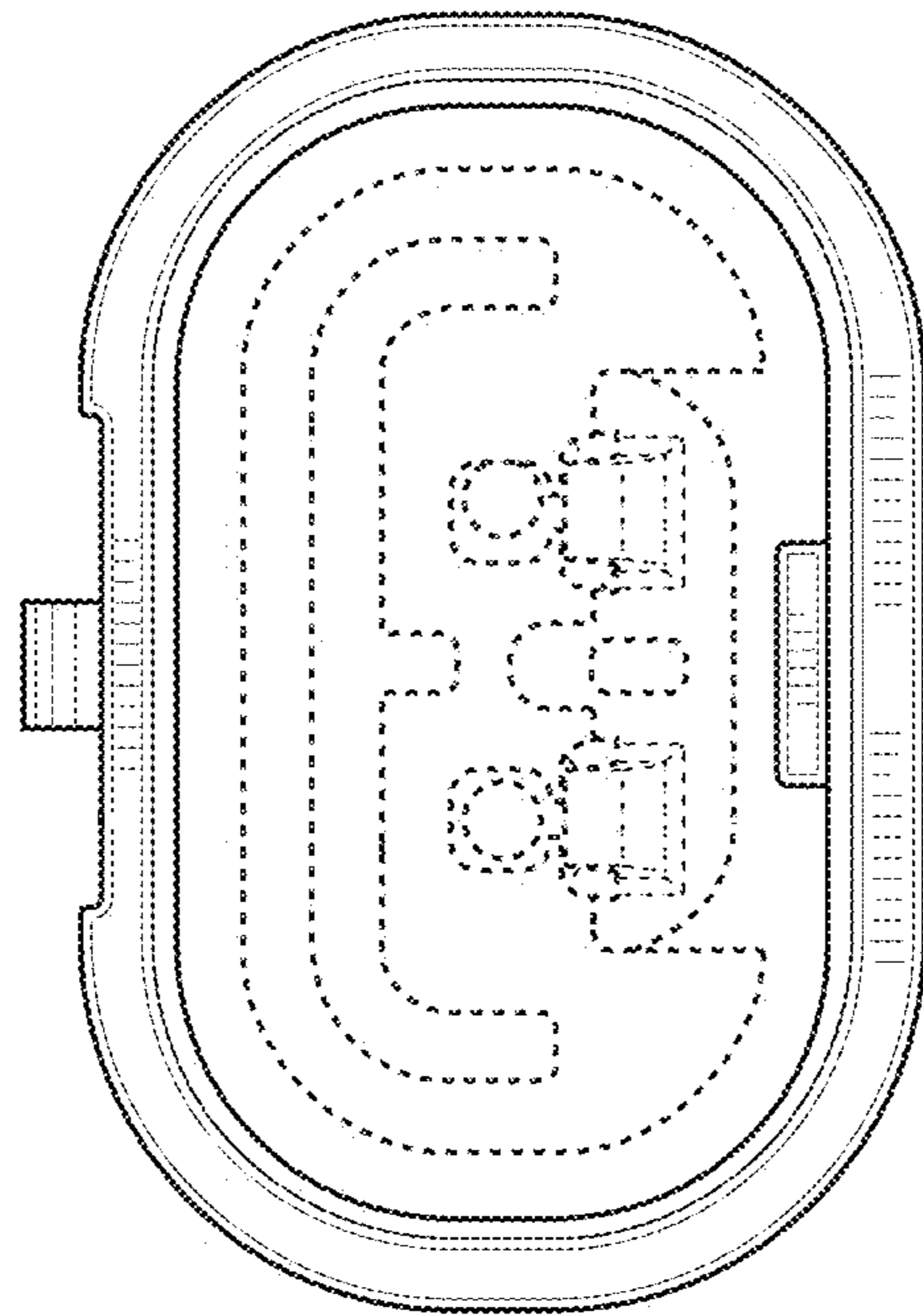


FIG. 3

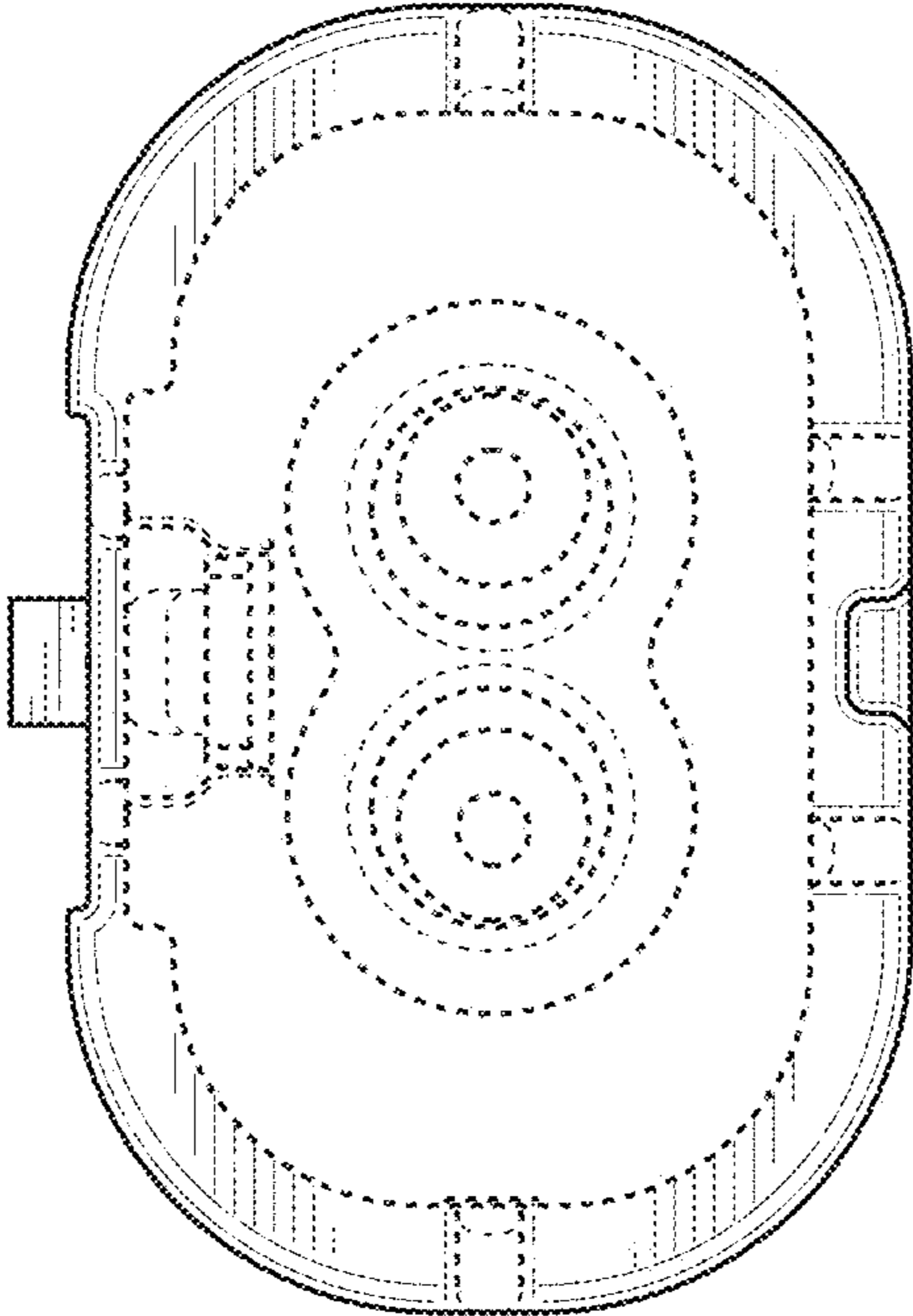


FIG. 4

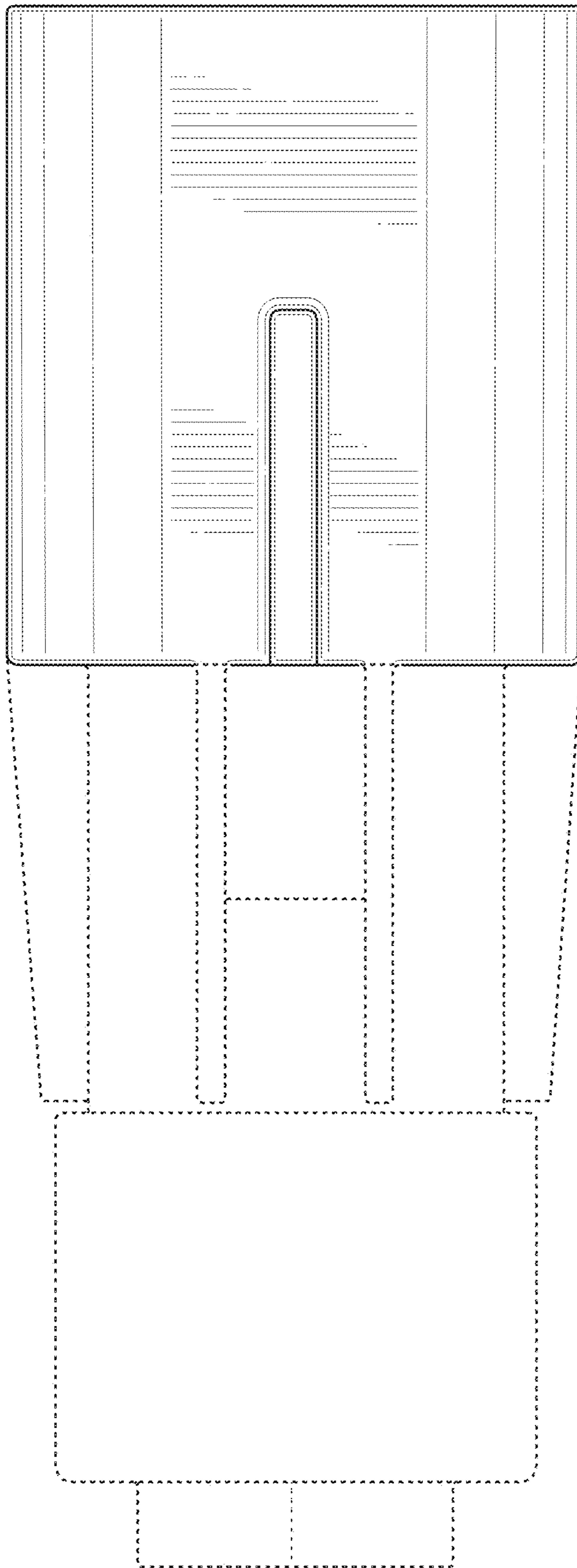


FIG. 5

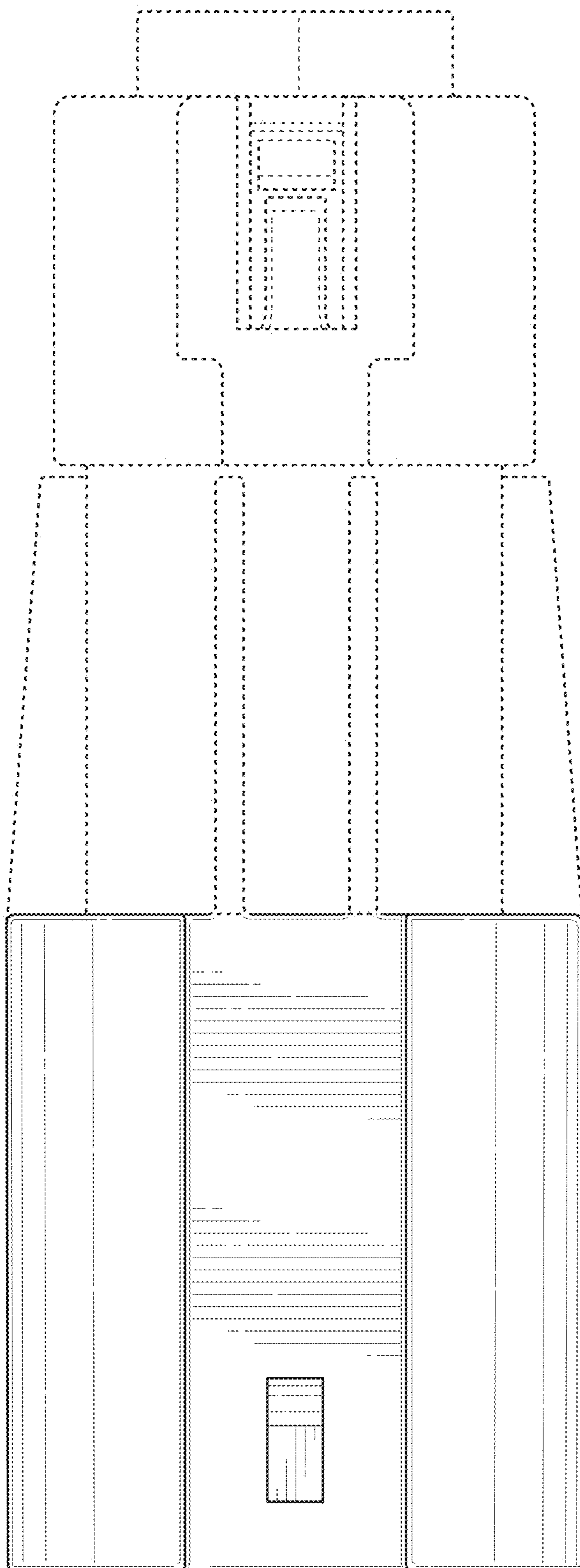


FIG. 6



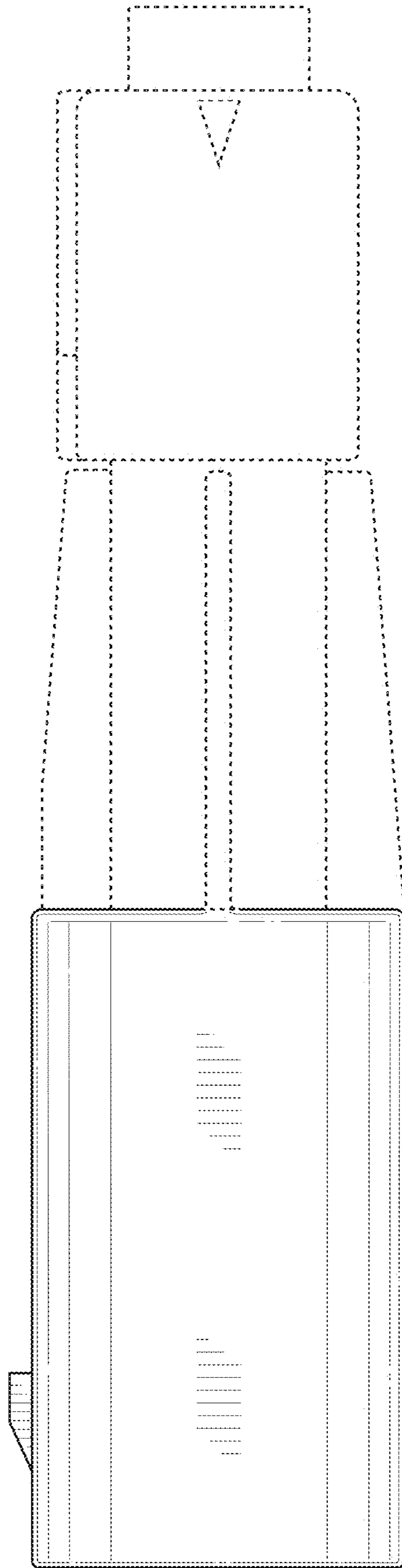


FIG. 7

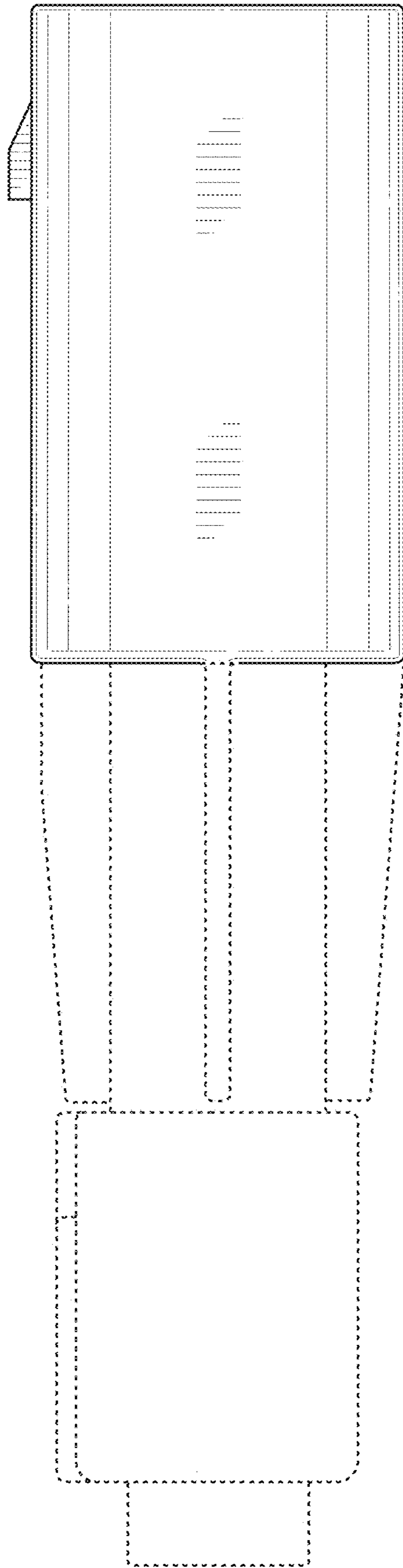


FIG. 8

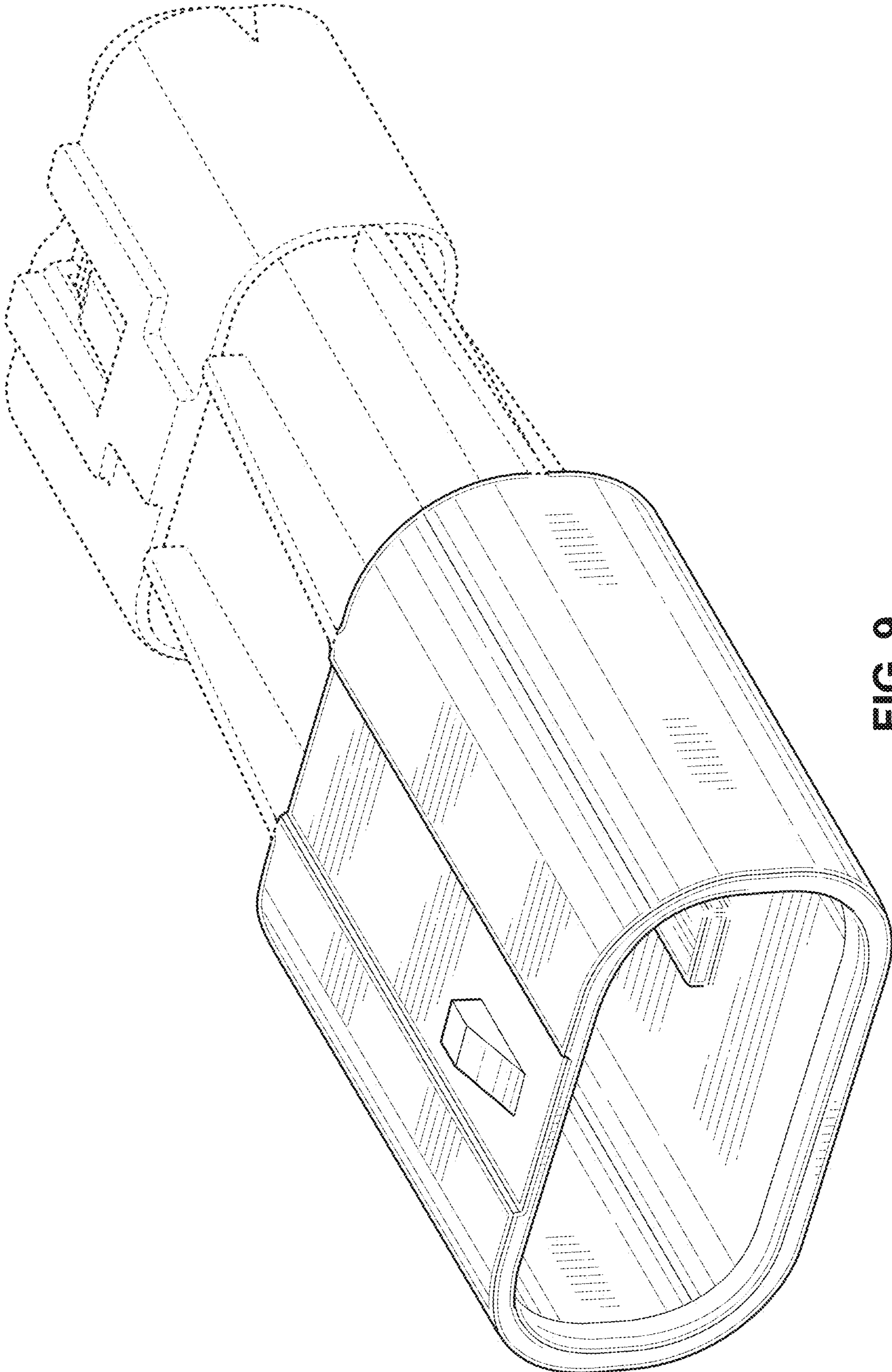


FIG. 9

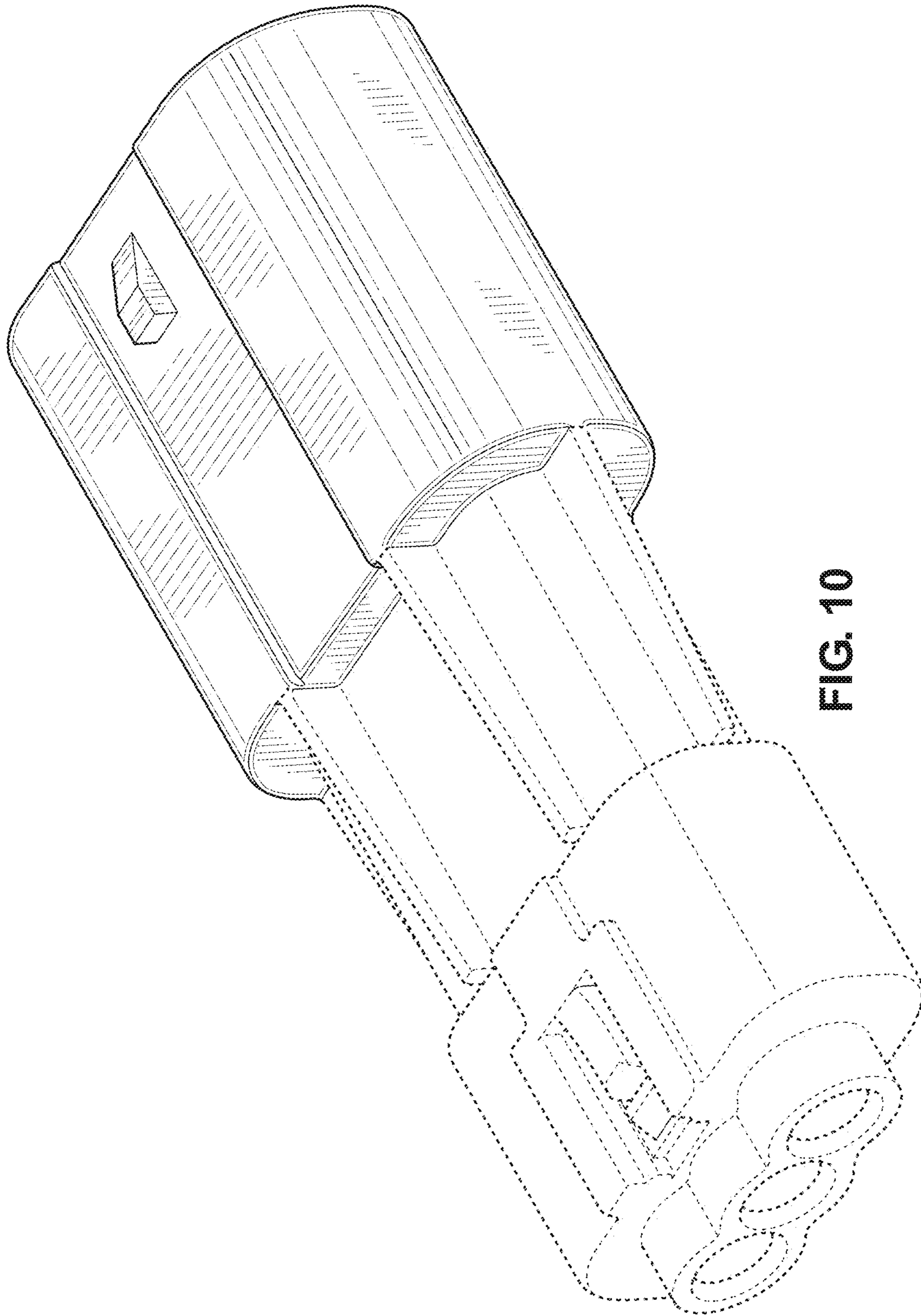


FIG. 10



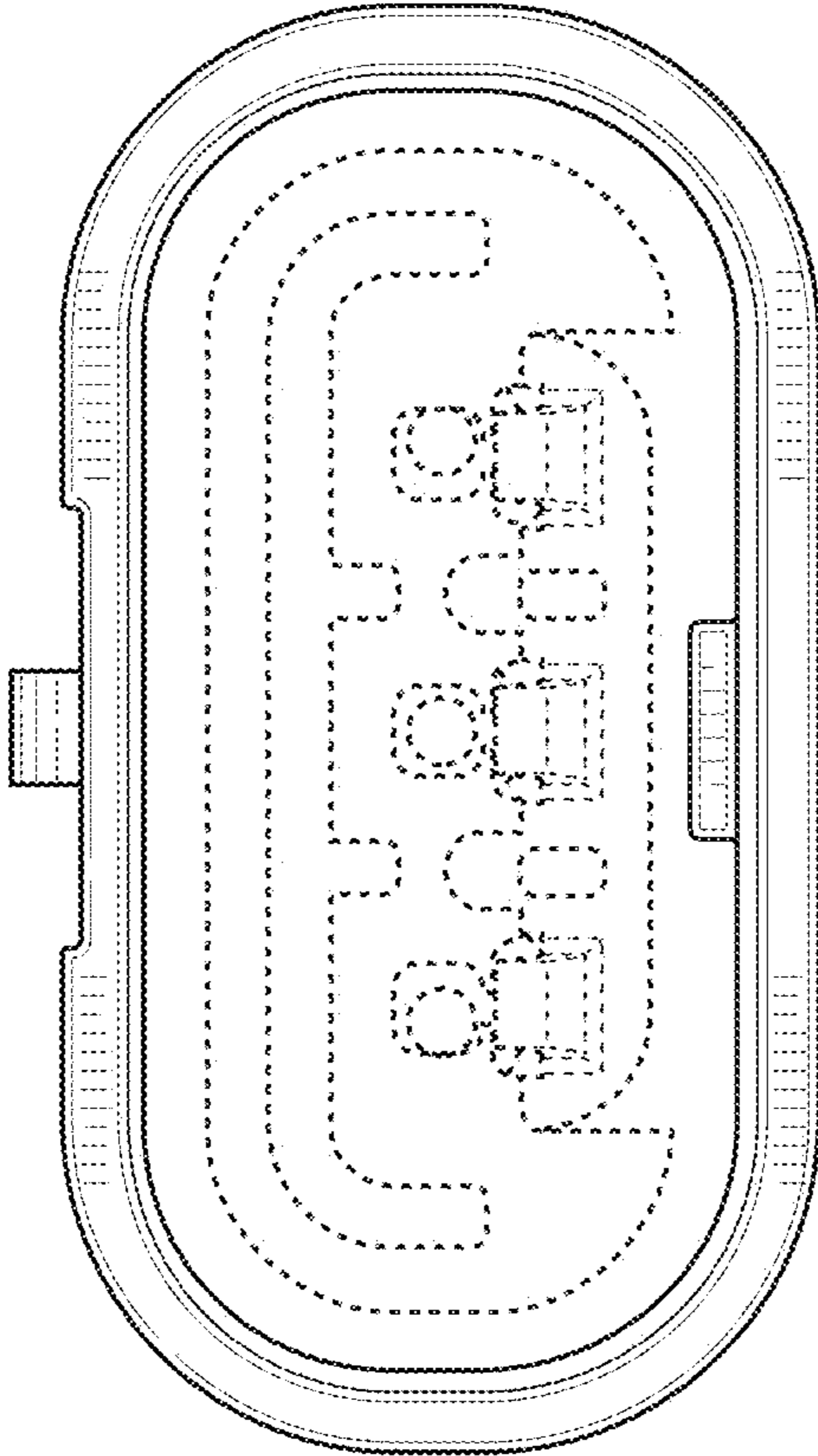


FIG. 11

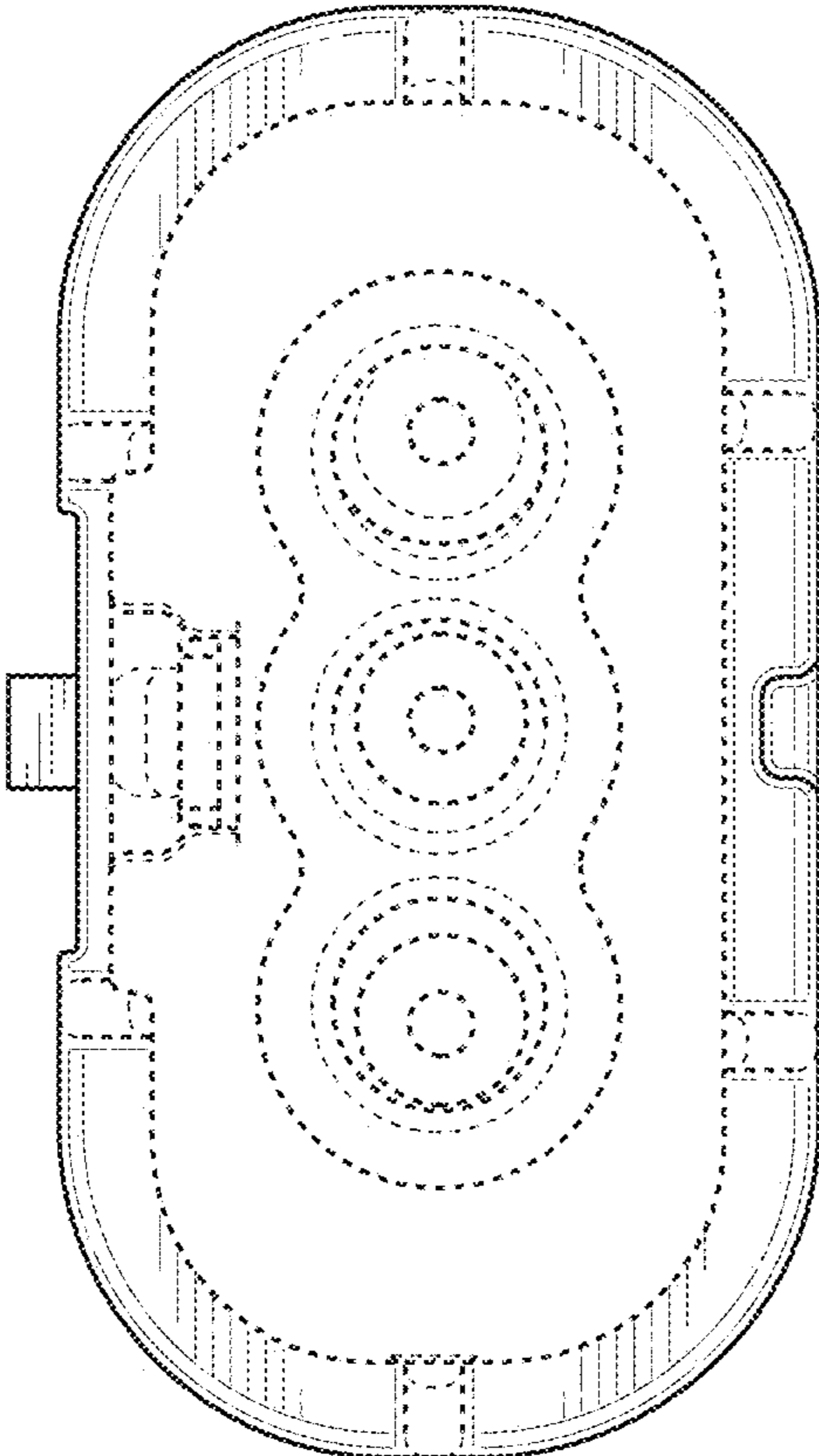


FIG. 12

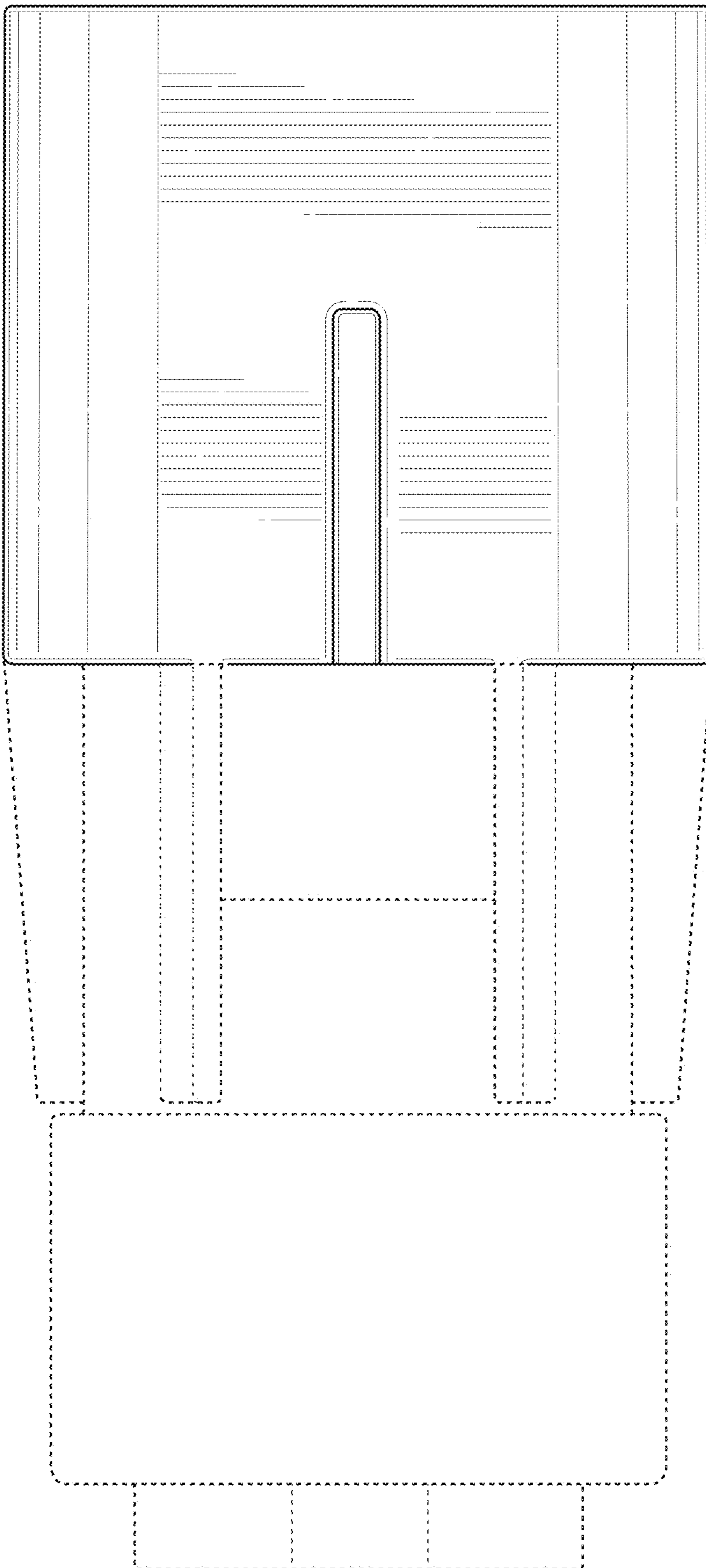


FIG. 13

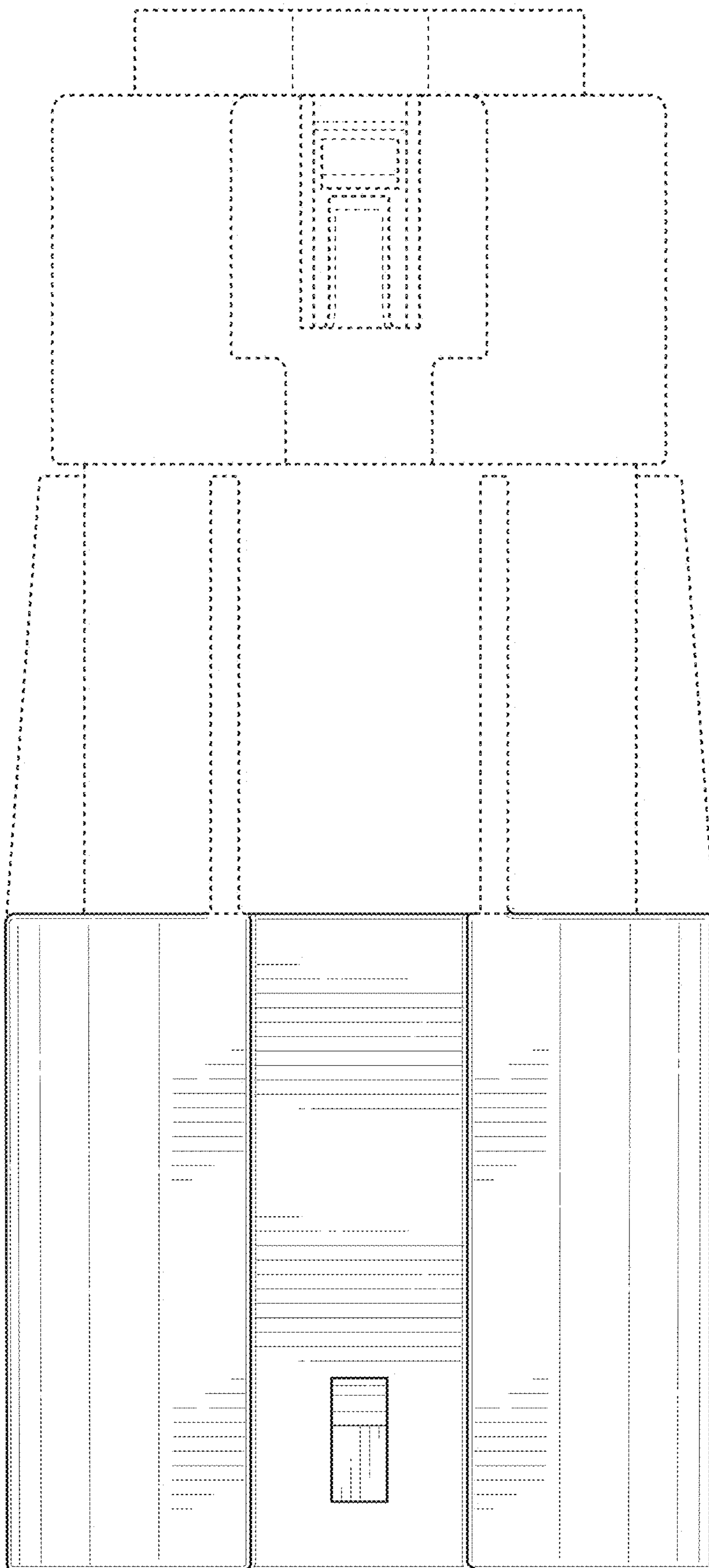


FIG. 14



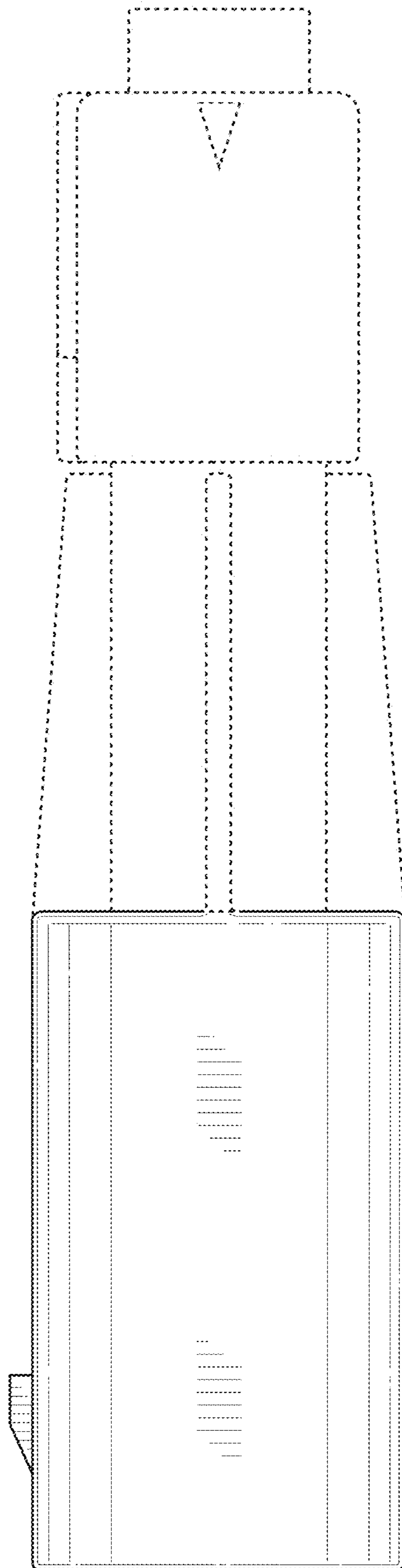


FIG. 15

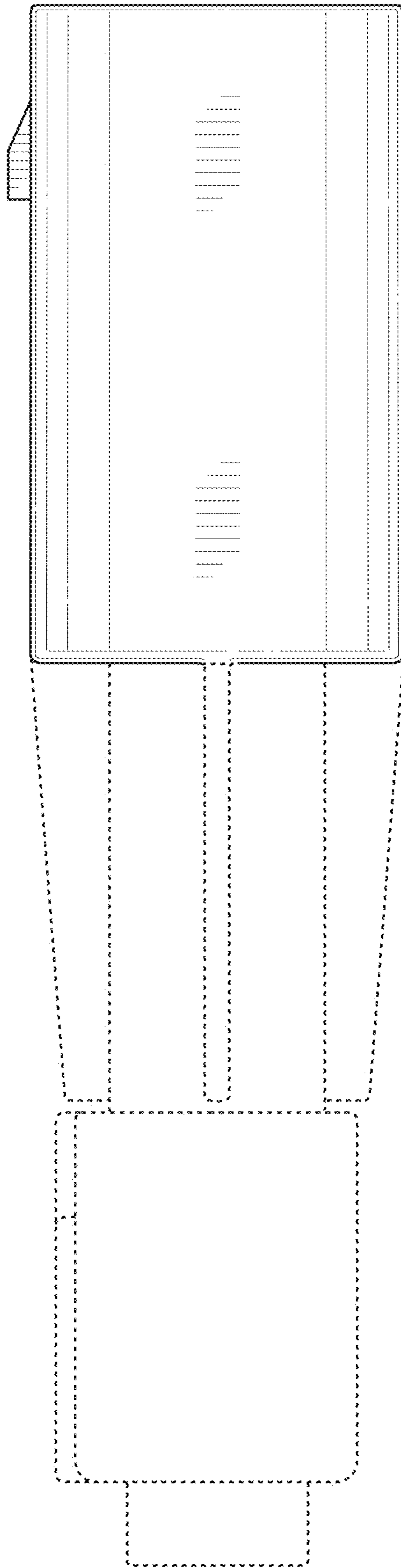


FIG. 16

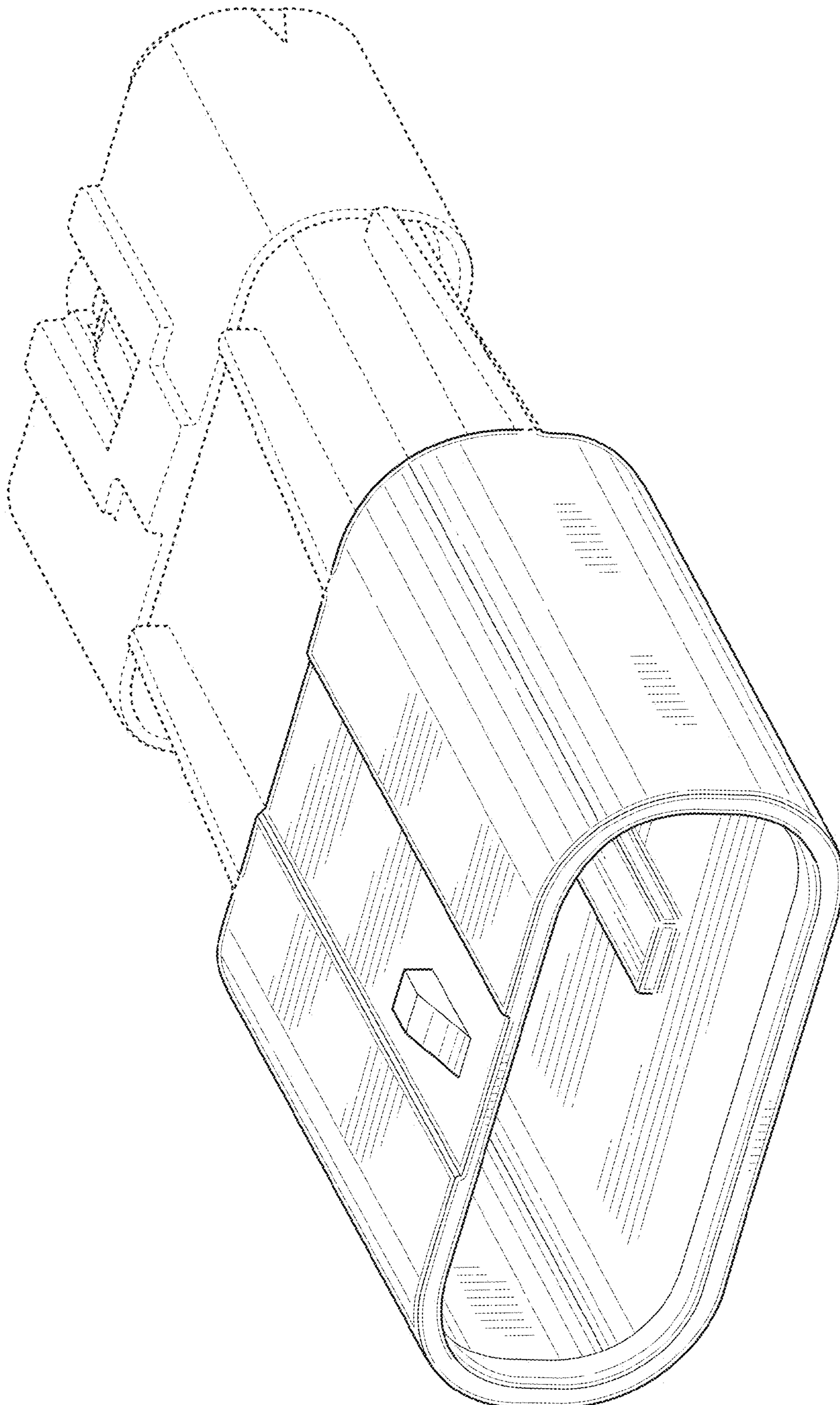


FIG. 17

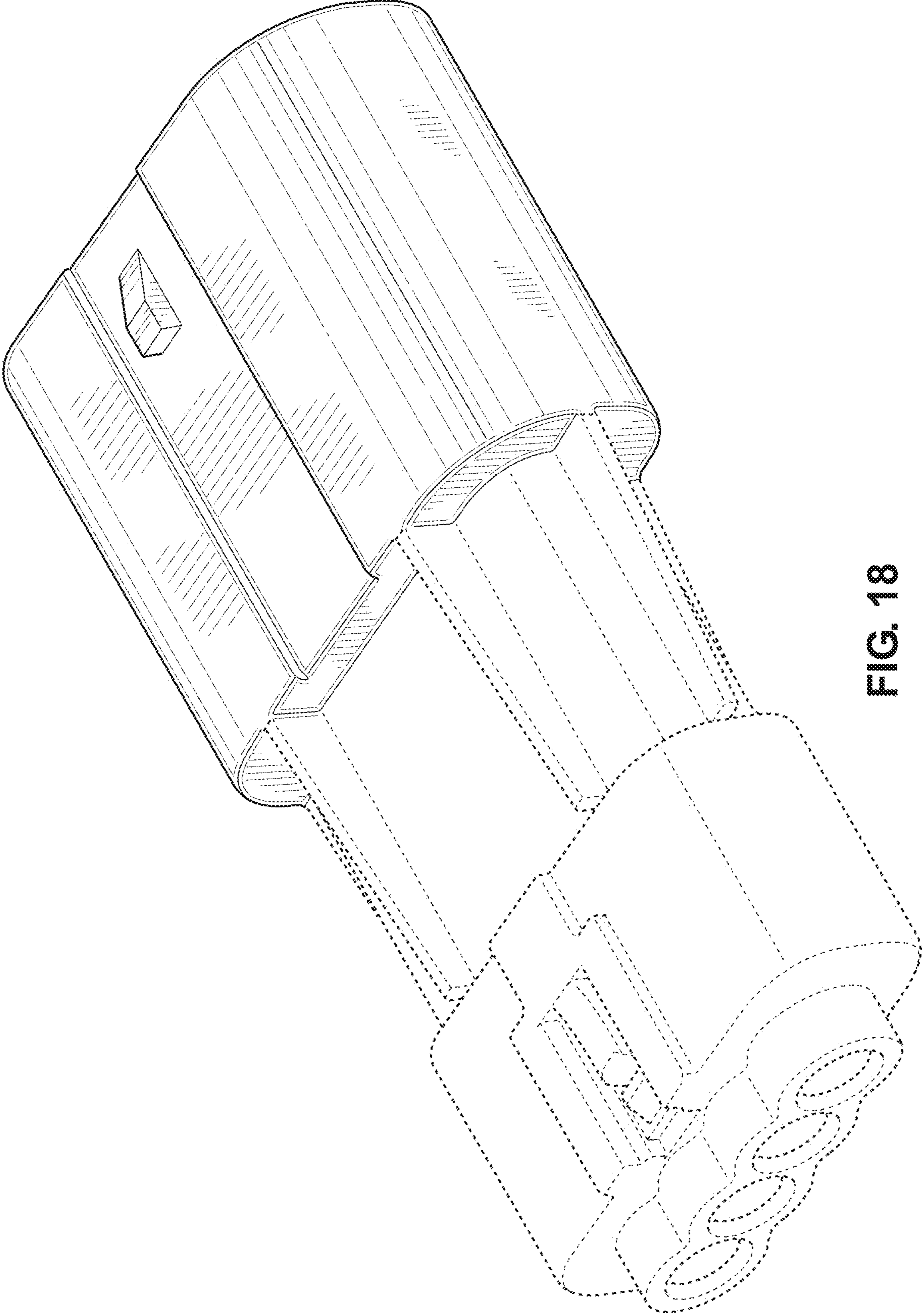


FIG. 18



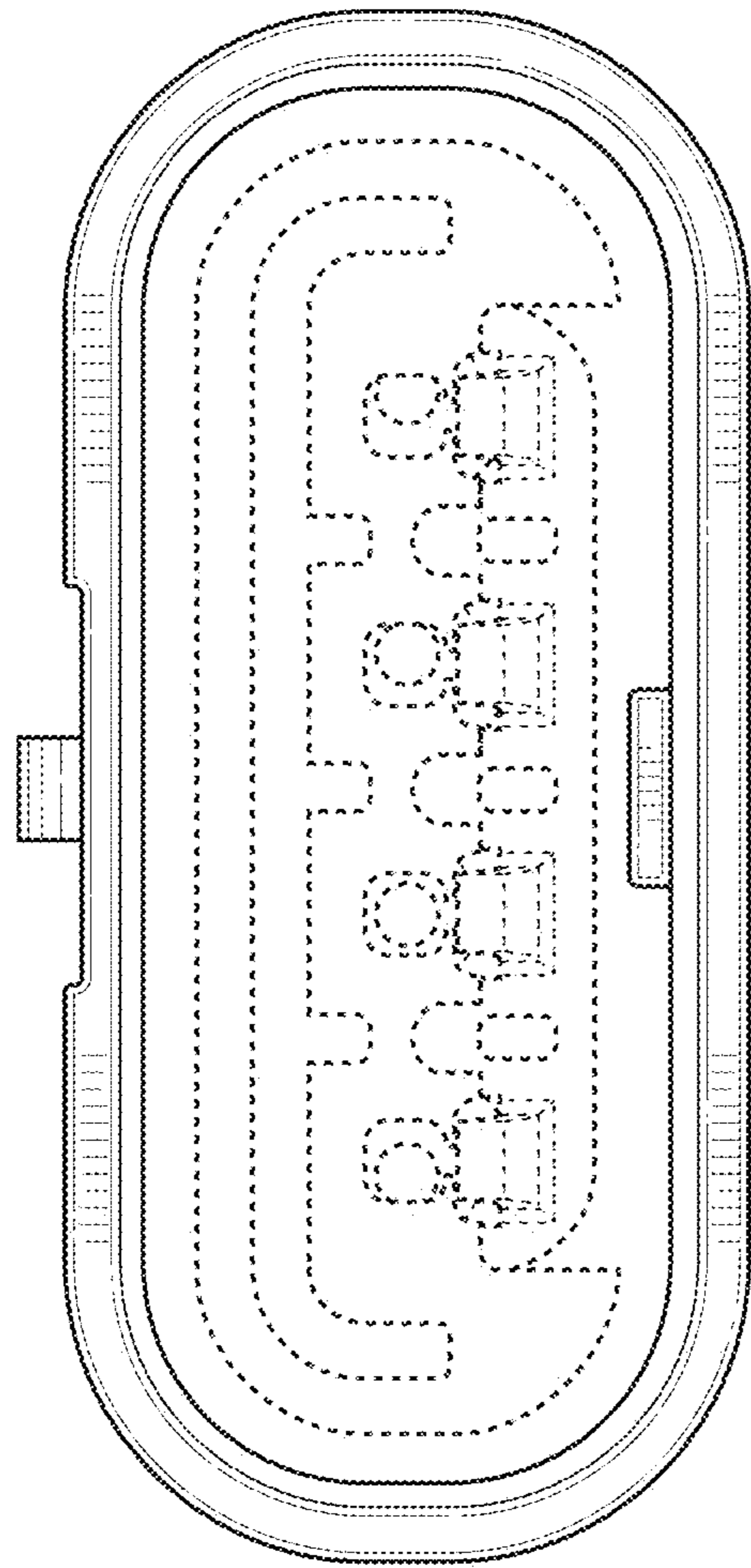


FIG. 19

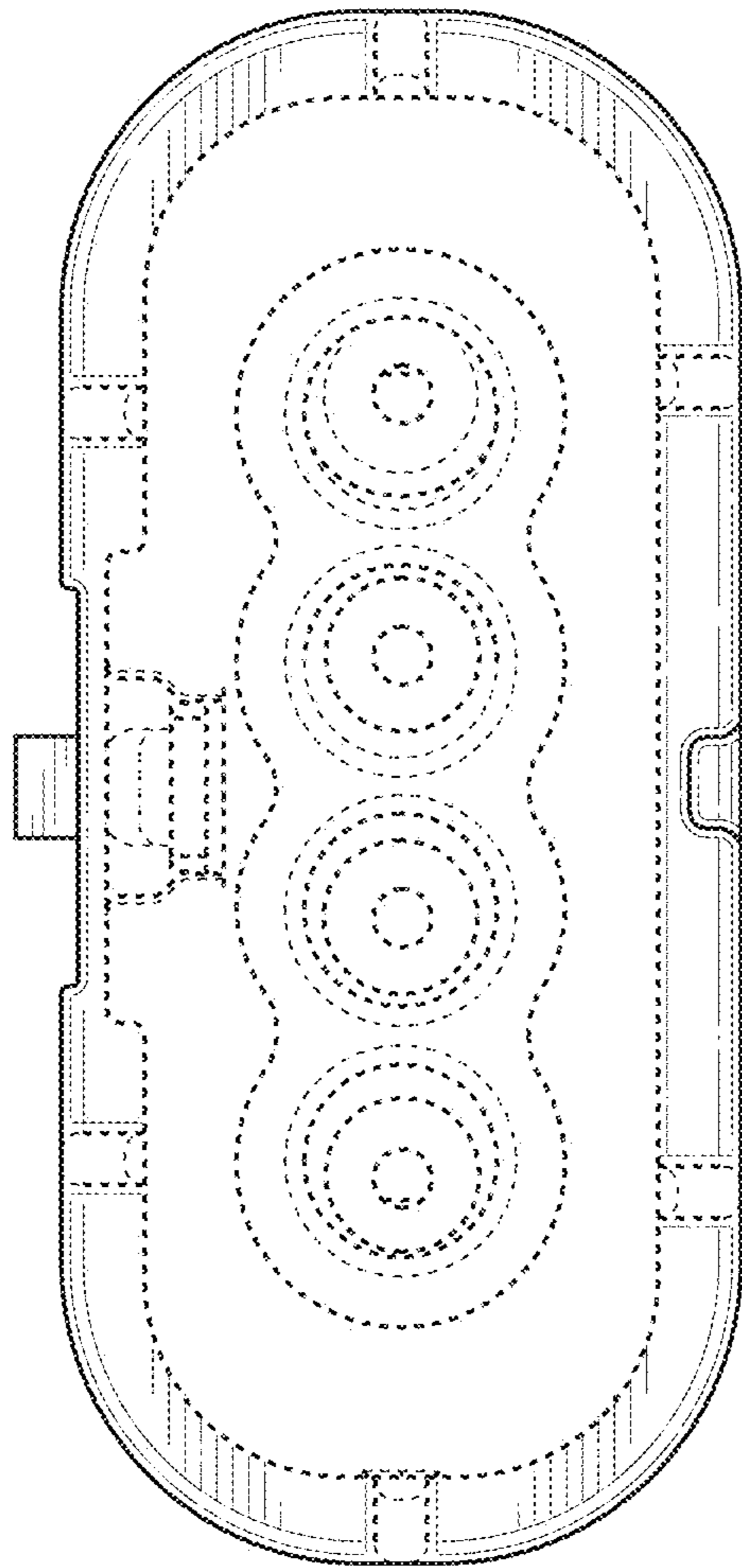


FIG. 20

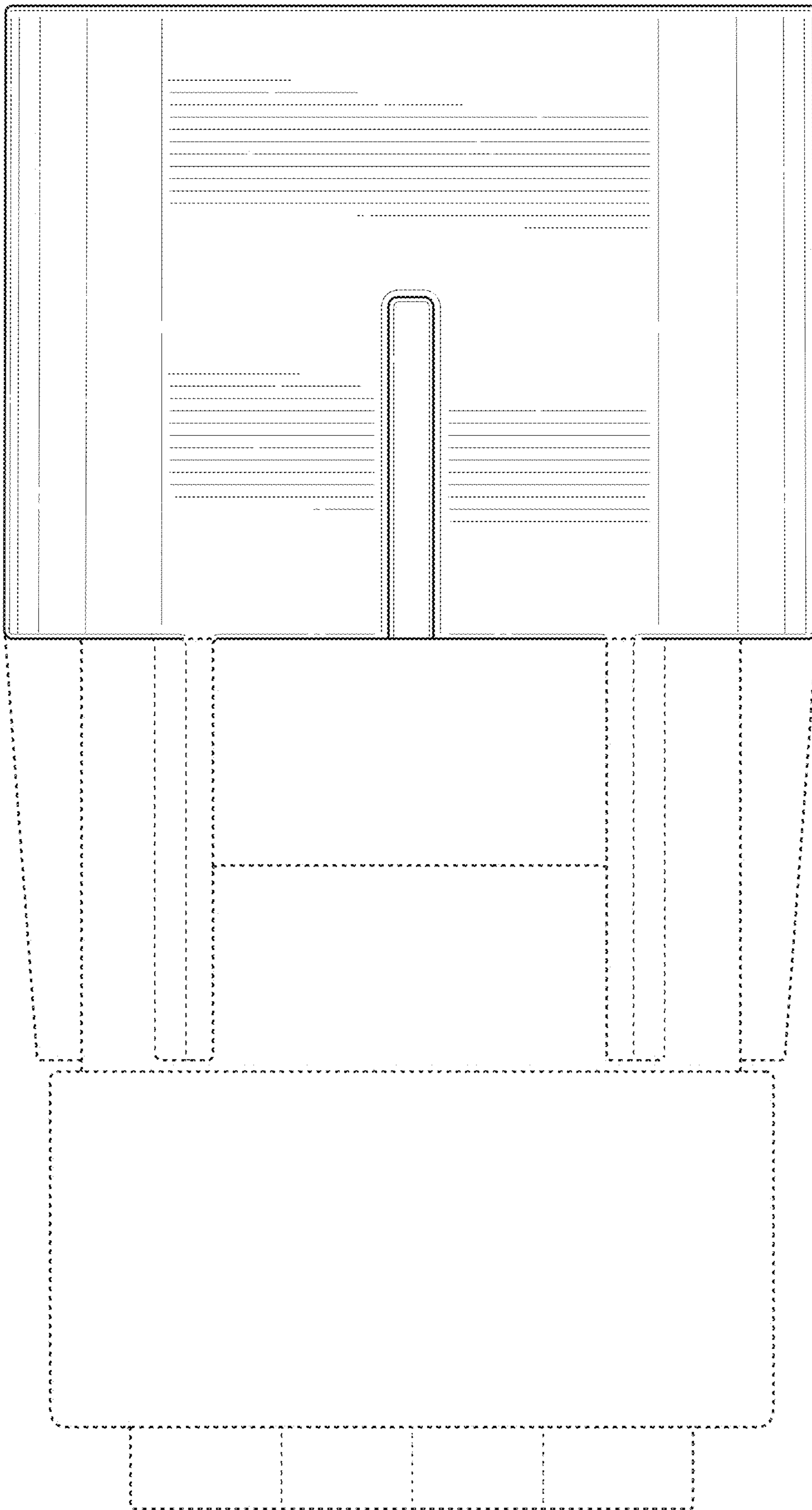


FIG. 21

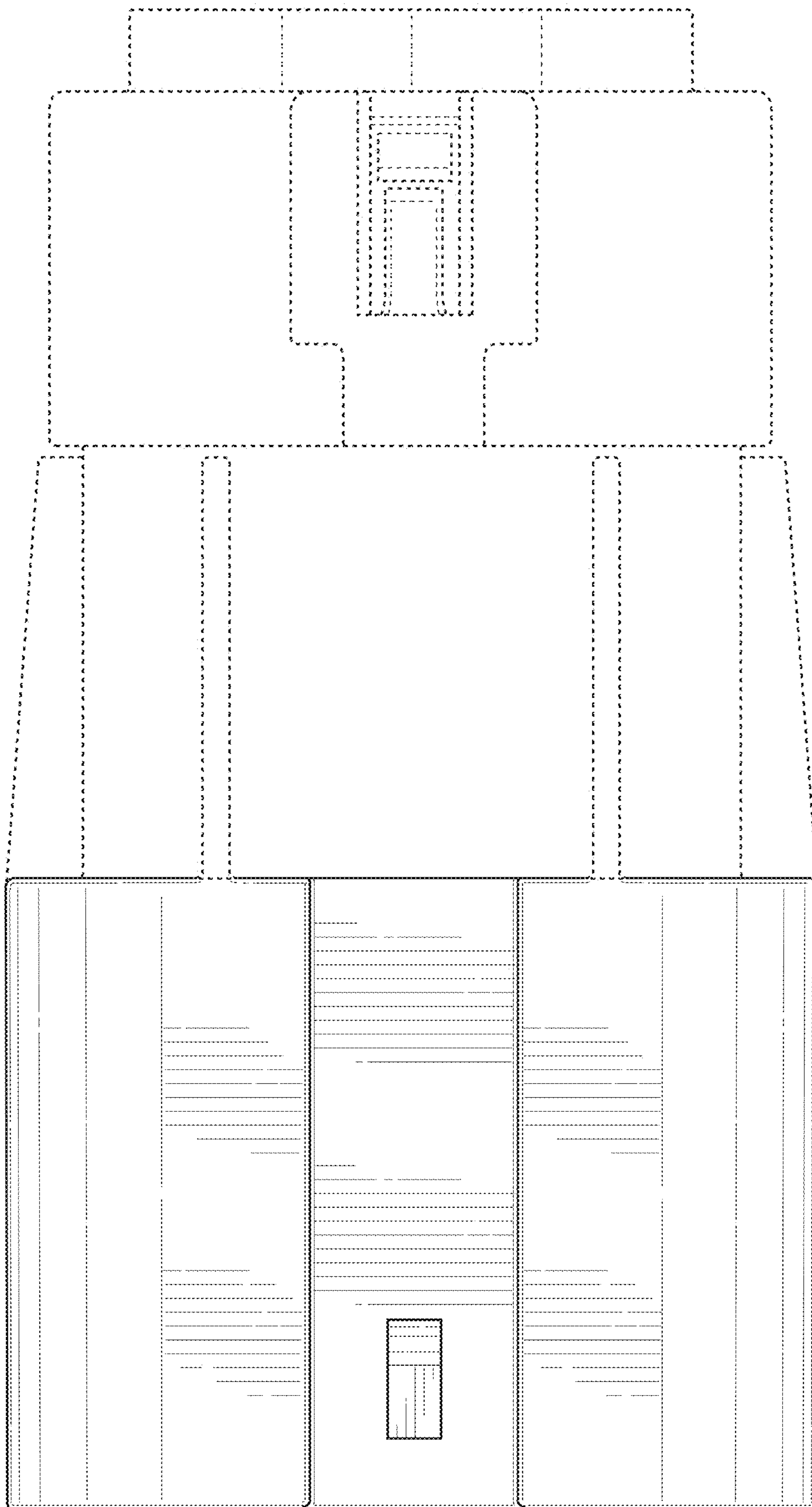


FIG. 22



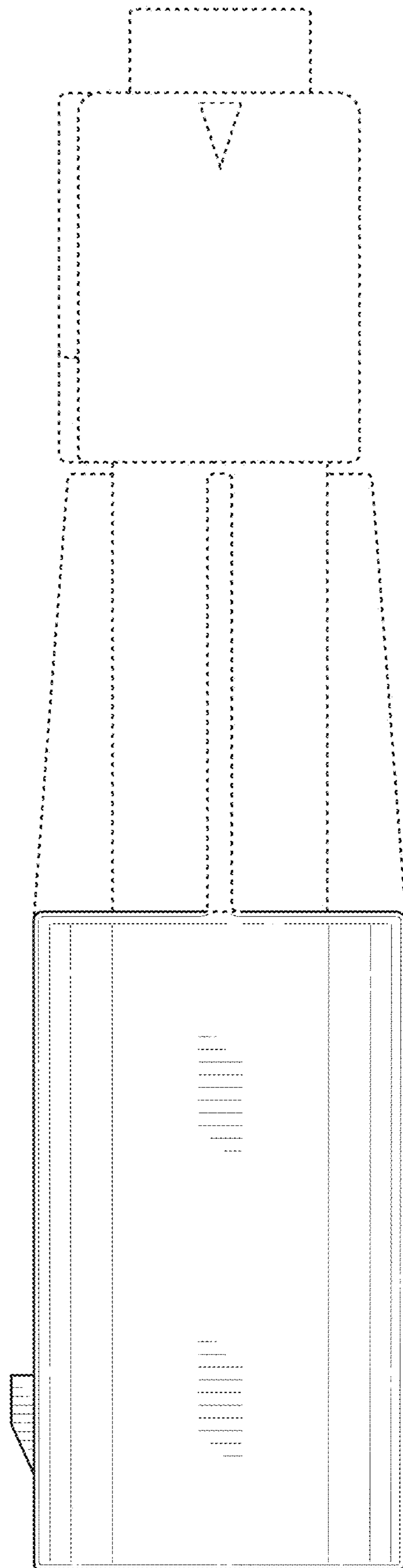


FIG. 23

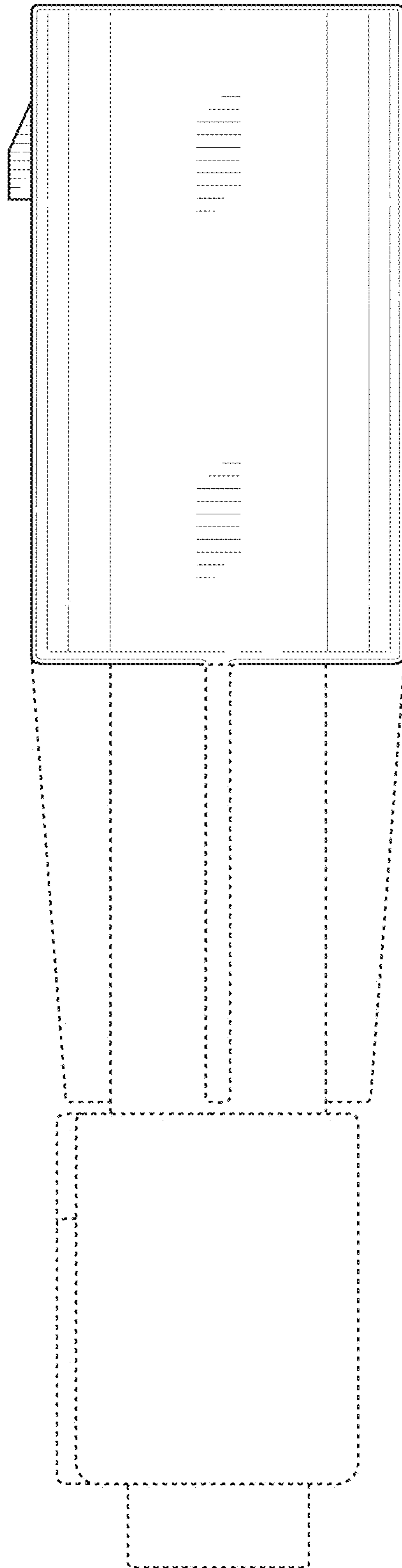


FIG. 24

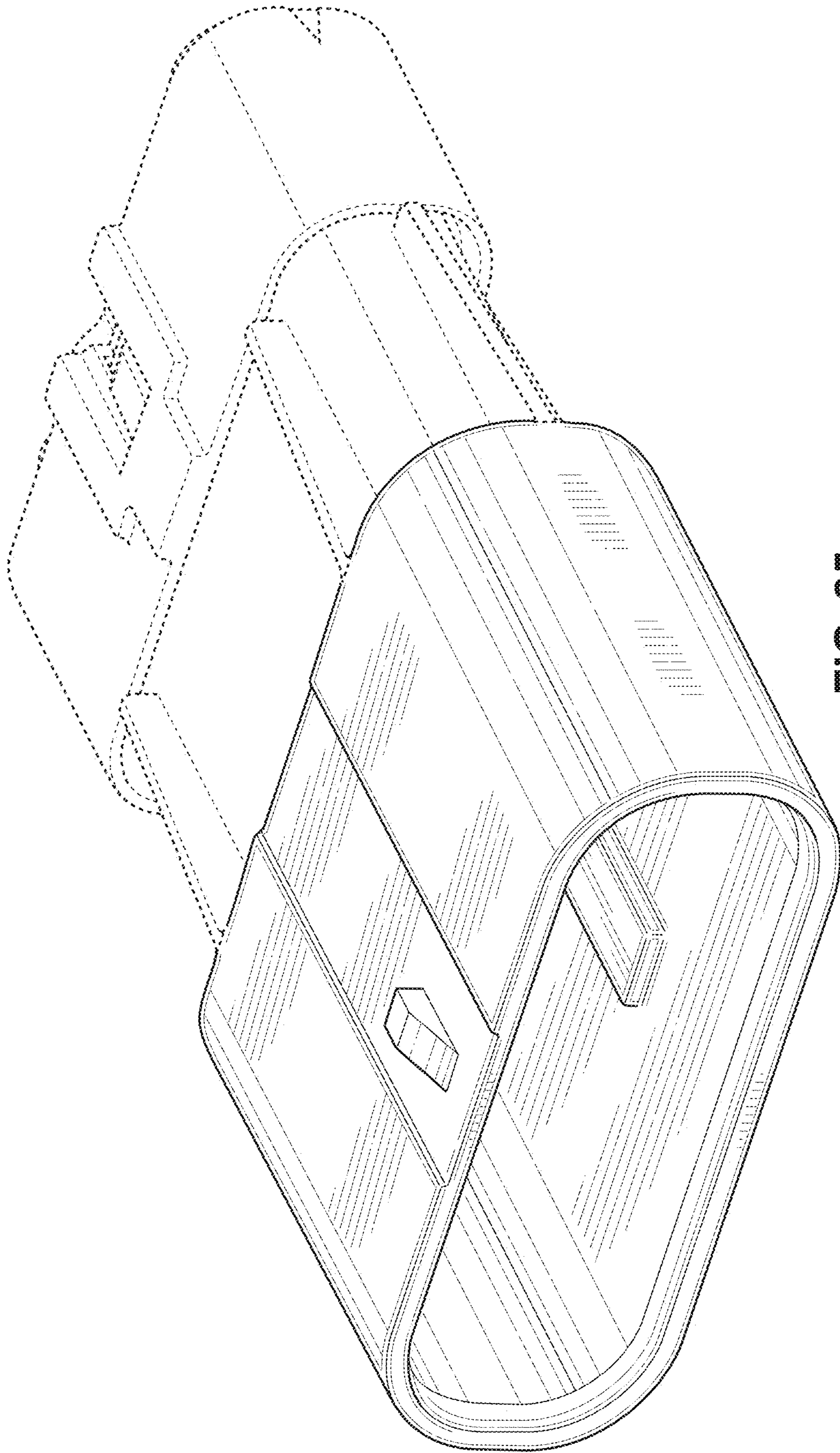


FIG. 25

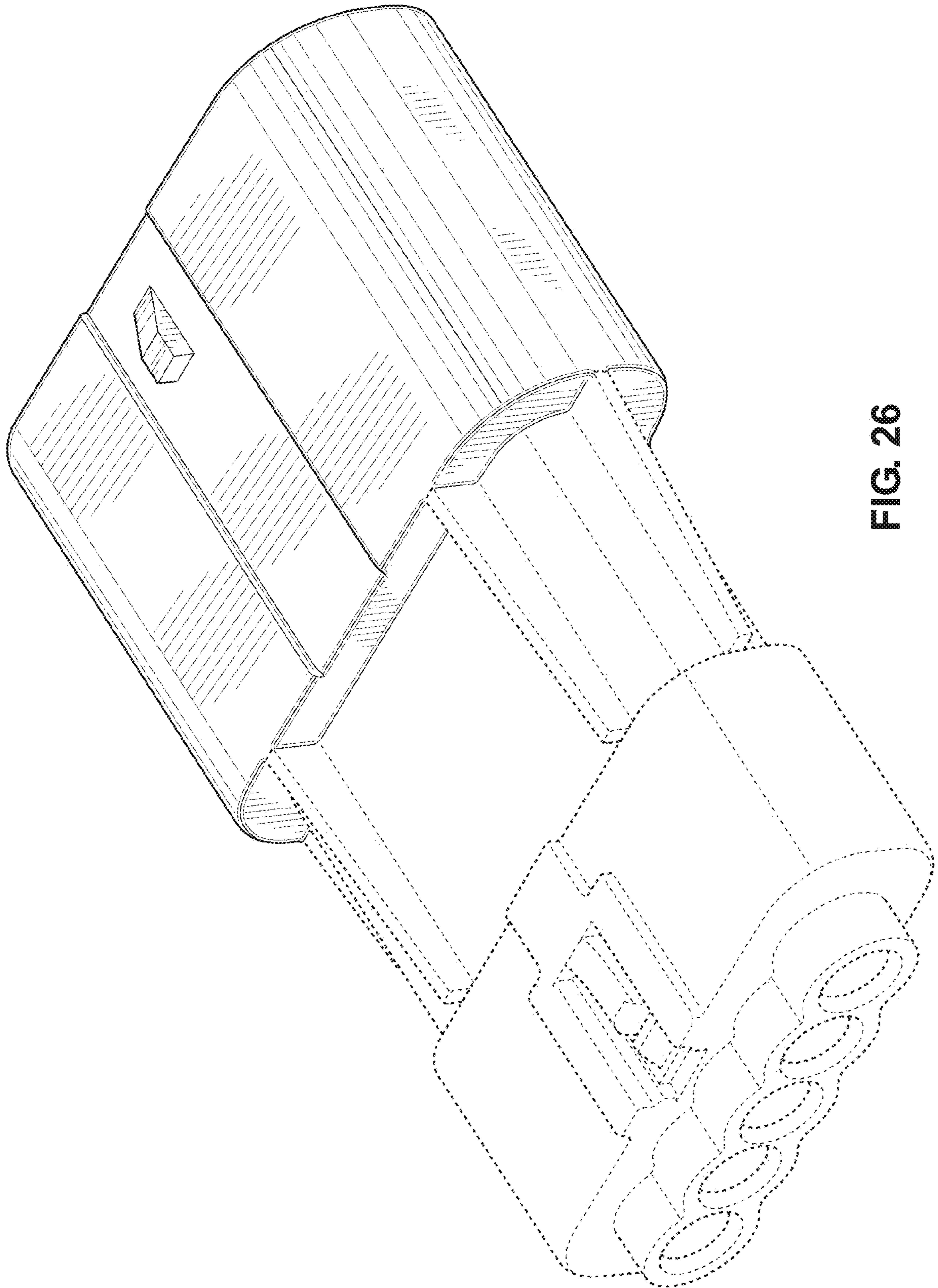


FIG. 26



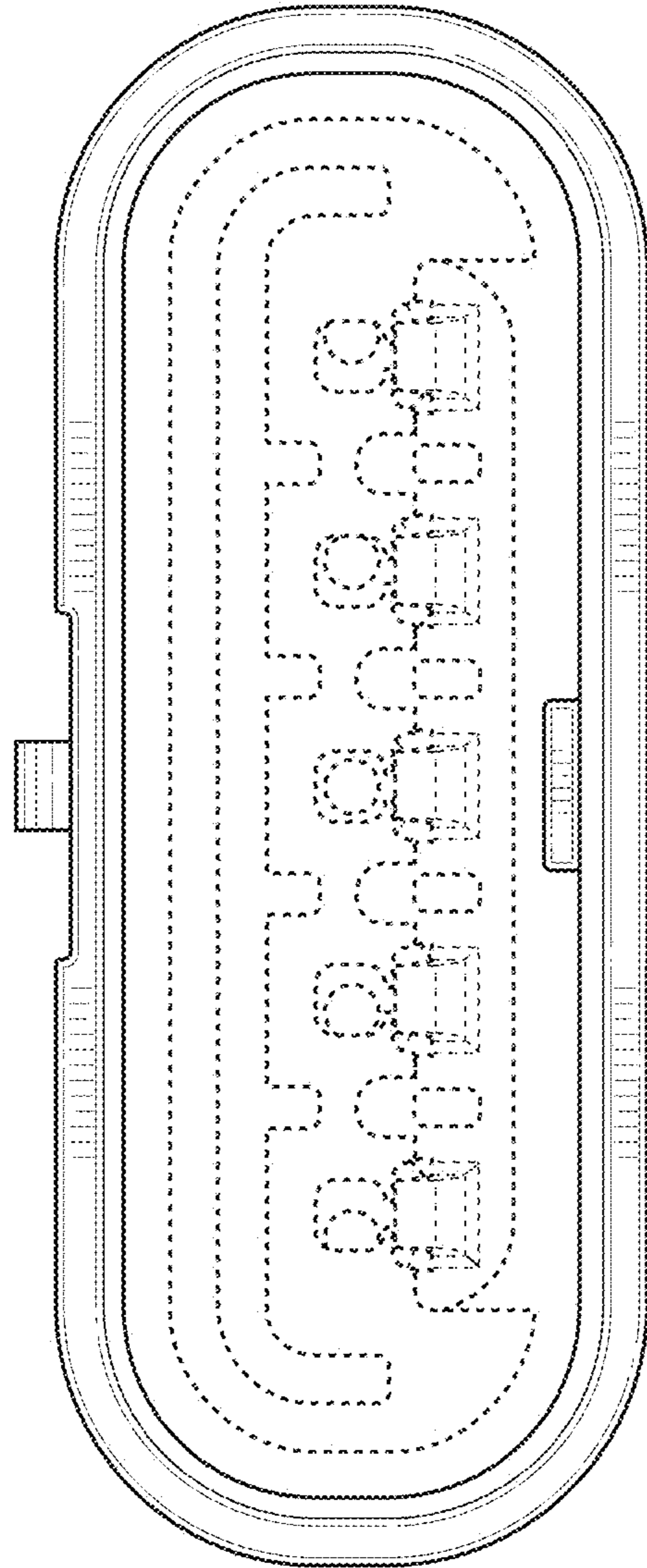


FIG. 27



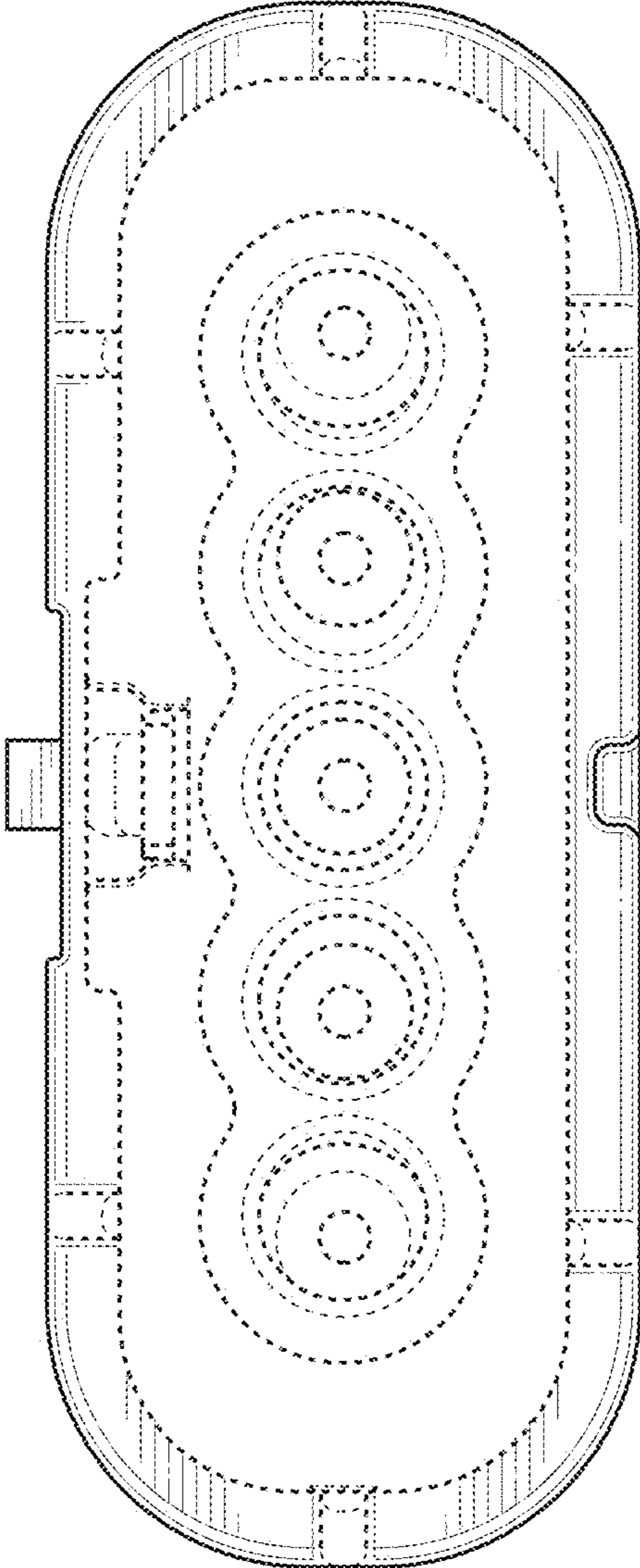


FIG. 28

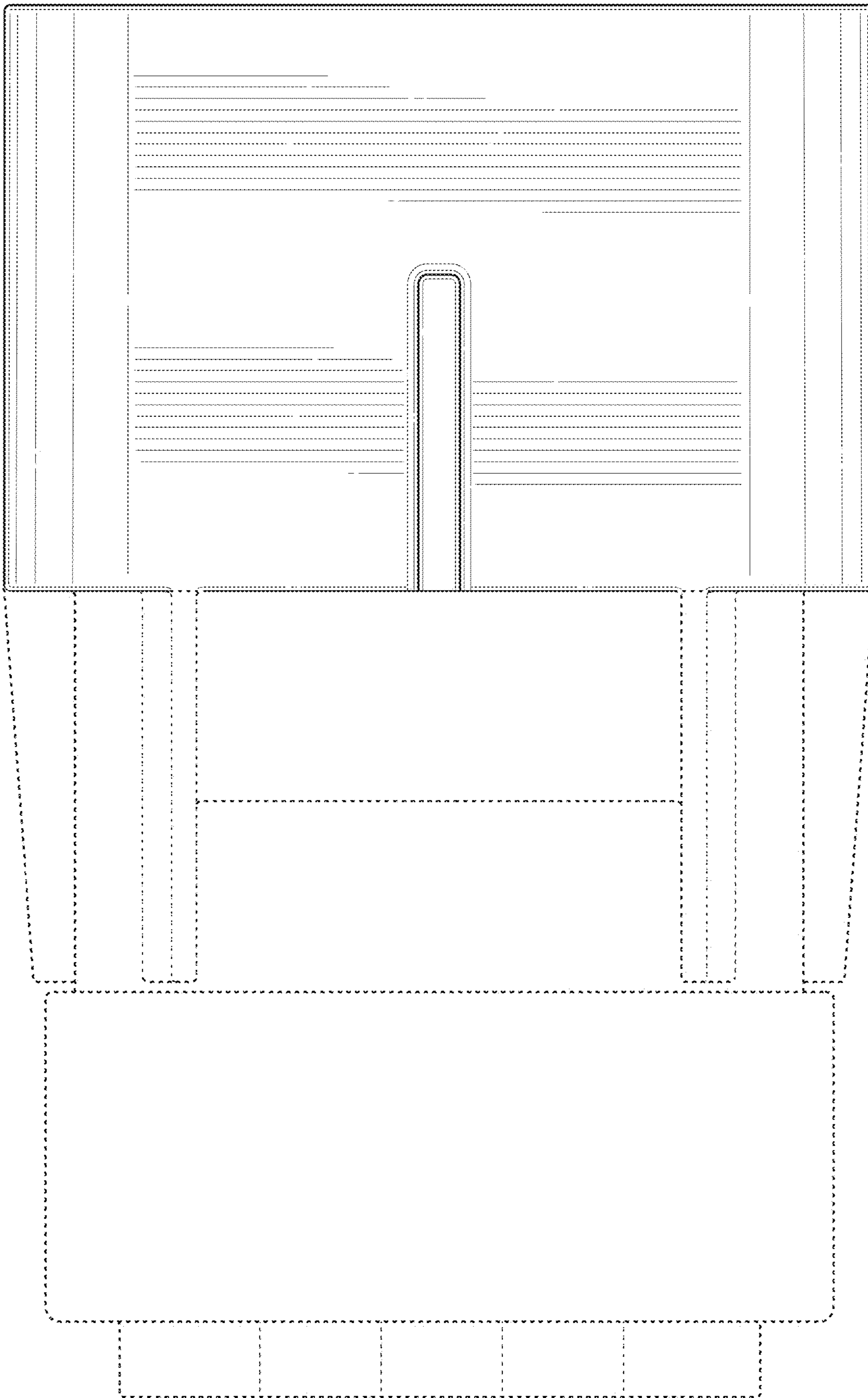


FIG. 29

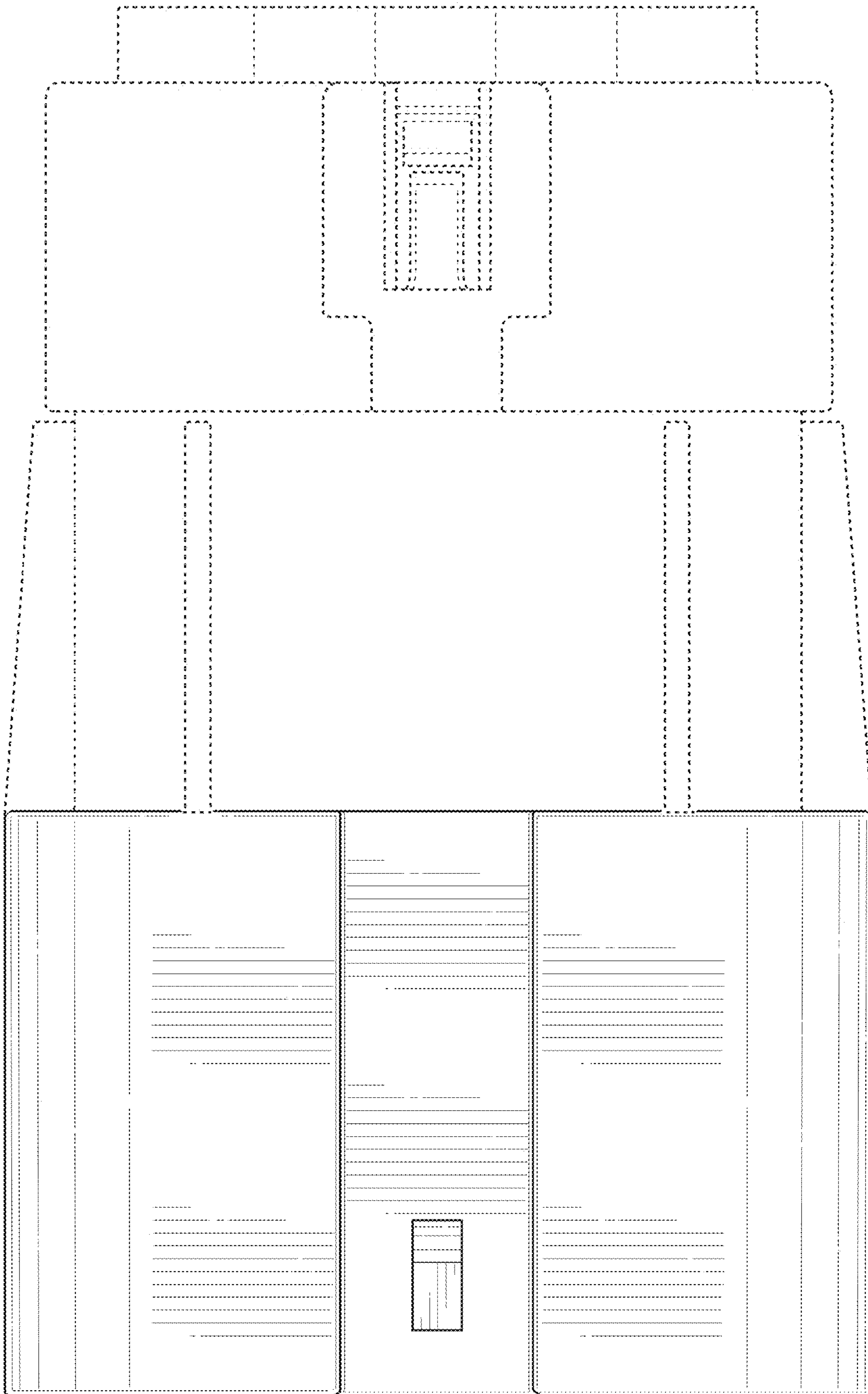


FIG. 30

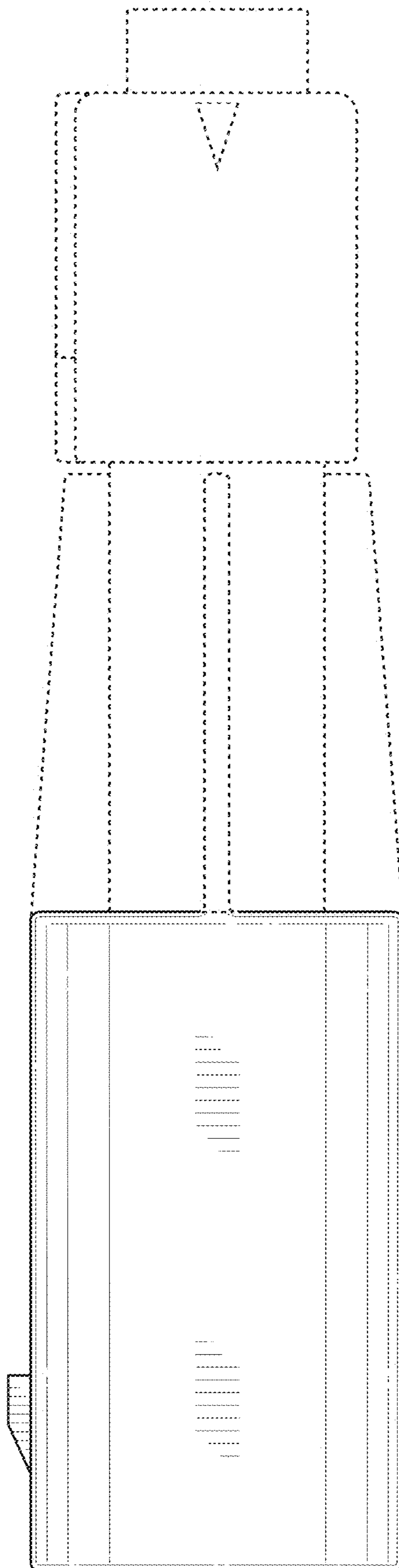


FIG. 31

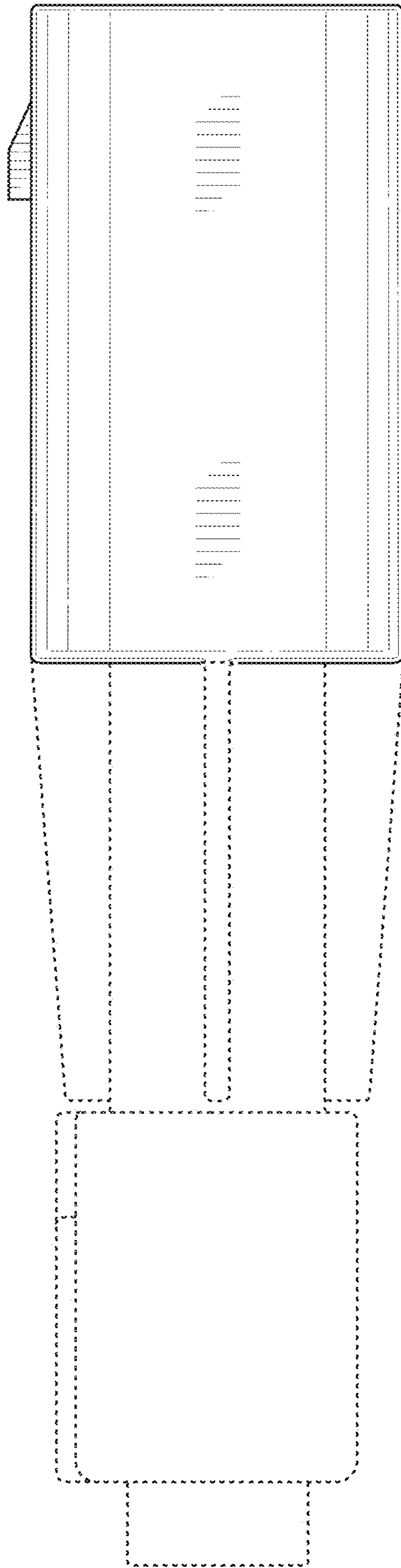


FIG. 32