



US00D894127S

(12) **United States Design Patent**  
**Somanathapura Ramanna et al.**

(10) **Patent No.:** **US D894,127 S**  
(45) **Date of Patent:** **\*\* Aug. 25, 2020**

(54) **CONNECTOR**

(71) Applicant: **Molex, LLC**, Lisle, IL (US)  
(72) Inventors: **Nrupathunga Chakravarthy Somanathapura Ramanna**, Bangalore (IN); **Pierre Perez**, Aurora, IL (US)  
(73) Assignee: **Molex, LLC**, Lisle, IL (US)  
(\*\*) Term: **15 Years**

(74) *Attorney, Agent, or Firm* — **Banner & Witcoff, Ltd.**

(21) Appl. No.: **29/676,419**

(22) Filed: **Jan. 10, 2019**

(51) **LOC (12) Cl.** ..... **13-03**

(52) **U.S. Cl.**  
USPC ..... **D13/133; D13/147**

(58) **Field of Classification Search**  
USPC ..... **D3/203.1–203.3; D13/133, 146, 147, D13/154, 184, 153, 110, 118, 150, 123**  
See application file for complete search history.

(56) **References Cited**

**U.S. PATENT DOCUMENTS**

D410,629 S \* 6/1999 Bandura ..... D13/147  
D426,194 S \* 6/2000 Ko ..... D13/147  
(Continued)

**FOREIGN PATENT DOCUMENTS**

CN 304716804 7/2018  
JP D1590559 11/2017  
(Continued)

**OTHER PUBLICATIONS**

Receptacle Housing, Apr. 8, 2020, [online], [site visited Apr. 17, 2020], Available from Internet URL: [https://www.newegg.com/p/0HZ-0033-000B2?Description=molex%20femald%20housing&cm\\_re=molex\\_femald\\_housing\\_-\\_9SIAH9BAGY7189\\_-\\_Product&quicklink=true](https://www.newegg.com/p/0HZ-0033-000B2?Description=molex%20femald%20housing&cm_re=molex_femald_housing_-_9SIAH9BAGY7189_-_Product&quicklink=true) (Year: 2020).\*  
(Continued)

*Primary Examiner* — **Karen E Kearney**  
*Assistant Examiner* — **Michael Chong**

(57) **CLAIM**

The ornamental design for a connector, as shown and described.

**DESCRIPTION**

FIG. 1 is a rear perspective view of a connector showing our new design;  
FIG. 2 is a front perspective view thereof;  
FIG. 3 is a front view thereof;  
FIG. 4 is a rear view thereof;  
FIG. 5 is a left side view thereof;  
FIG. 6 is a right side view thereof;  
FIG. 7 is a top view thereof;  
FIG. 8 is a bottom view thereof;  
FIG. 9 is a rear perspective view of an alternate embodiment of a connector showing our new design which is a mirror image of the connector of FIGS. 1-8;  
FIG. 10 is a front perspective view thereof;  
FIG. 11 is a front view thereof;  
FIG. 12 is a rear view thereof;  
FIG. 13 is a left side view thereof;  
FIG. 14 is a right side view thereof;  
FIG. 15 is a top view thereof;  
FIG. 16 is a bottom view thereof;  
FIG. 17 is a rear perspective view of an alternate embodiment of a connector showing our new design;  
FIG. 18 is a front perspective view thereof;  
FIG. 19 is a front view thereof;  
FIG. 20 is a rear view thereof;  
FIG. 21 is a left side view thereof;  
FIG. 22 is a right side view thereof;  
FIG. 23 is a top view thereof;  
FIG. 24 is a bottom view thereof;  
FIG. 25 is a rear perspective view of an alternate embodiment of a connector showing our new design which is a mirror image of the connector of FIGS. 17-24;  
FIG. 26 is a front perspective view thereof;

(Continued)

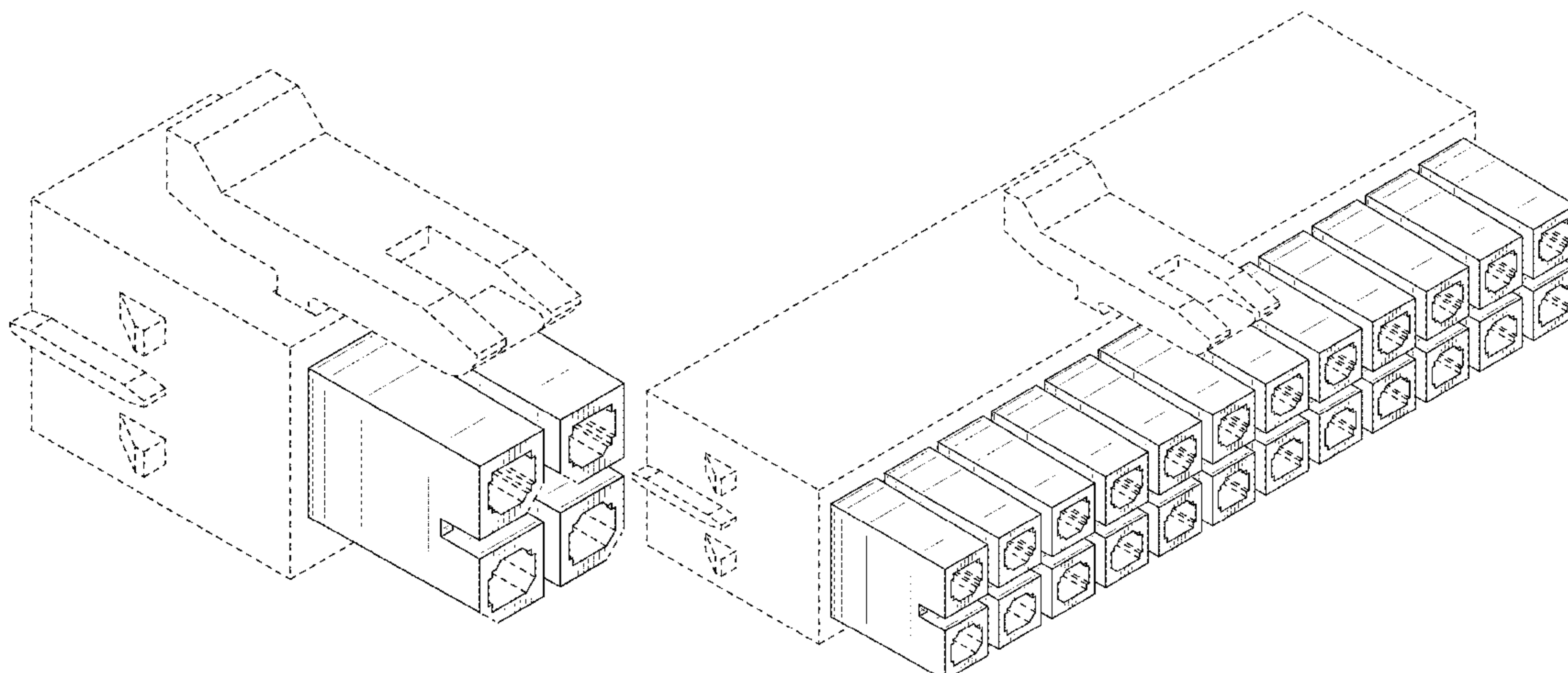


FIG. 27 is a front view thereof;  
FIG. 28 is a rear view thereof;  
FIG. 29 is a left side view thereof;  
FIG. 30 is a right side view thereof;  
FIG. 31 is a top view thereof;  
FIG. 32 is a bottom view thereof;  
FIG. 33 is a rear perspective view of an alternate embodiment of a connector showing our new design;  
FIG. 34 is a front perspective view thereof;  
FIG. 35 is a front view thereof;  
FIG. 36 is a rear view thereof;  
FIG. 37 is a left side view thereof;  
FIG. 38 is a right side view thereof;  
FIG. 39 is a top view thereof;  
FIG. 40 is a bottom view thereof;  
FIG. 41 is a rear perspective view of an alternate embodiment of a connector showing our new design which is a mirror image of the connector of FIGS. 33-40;  
FIG. 42 is a front perspective view thereof;  
FIG. 43 is a front view thereof;  
FIG. 44 is a rear view thereof;  
FIG. 45 is a left side view thereof;  
FIG. 46 is a right side view thereof;  
FIG. 47 is a top view thereof;  
FIG. 48 is a bottom view thereof;  
FIG. 49 is a rear perspective view of an alternate embodiment of a connector showing our new design;  
FIG. 50 is a front perspective view thereof;  
FIG. 51 is a front view thereof;  
FIG. 52 is a rear view thereof;  
FIG. 53 is a left side view thereof;  
FIG. 54 is a right side view thereof;  
FIG. 55 is a top view thereof;  
FIG. 56 is a bottom view thereof;  
FIG. 57 is a rear perspective view of an alternate embodiment of a connector showing our new design which is a mirror image of the connector of FIGS. 49-56;  
FIG. 58 is a front perspective view thereof;  
FIG. 59 is a front view thereof;  
FIG. 60 is a rear view thereof;  
FIG. 61 is a left side view thereof;  
FIG. 62 is a right side view thereof;  
FIG. 63 is a top view thereof;  
FIG. 64 is a bottom view thereof;  
FIG. 65 is a rear perspective view of an alternate embodiment of a connector showing our new design;  
FIG. 66 is a front perspective view thereof;  
FIG. 67 is a front view thereof;  
FIG. 68 is a rear view thereof;  
FIG. 69 is a left side view thereof;  
FIG. 70 is a right side view thereof;  
FIG. 71 is a top view thereof;  
FIG. 72 is a bottom view thereof;  
FIG. 73 is a rear perspective view of an alternate embodiment of a connector showing our new design which is a mirror image of the connector of FIGS. 65-72;  
FIG. 74 is a front perspective view thereof;  
FIG. 75 is a front view thereof;  
FIG. 76 is a rear view thereof;  
FIG. 77 is a left side view thereof;  
FIG. 78 is a right side view thereof;  
FIG. 79 is a top view thereof;  
FIG. 80 is a bottom view thereof;  
FIG. 81 is a rear perspective view of an alternate embodiment of a connector showing our new design;  
FIG. 82 is a front perspective view thereof;  
FIG. 83 is a front view thereof;  
FIG. 84 is a rear view thereof;  
FIG. 85 is a left side view thereof;  
FIG. 86 is a right side view thereof;  
FIG. 87 is a top view thereof;  
FIG. 88 is a bottom view thereof;  
FIG. 89 is a rear perspective view of an alternate embodiment of a connector showing our new design which is a mirror image of the connector of FIGS. 81-88;  
FIG. 90 is a front perspective view thereof;  
FIG. 91 is a front view thereof;  
FIG. 92 is a rear view thereof;  
FIG. 93 is a left side view thereof;  
FIG. 94 is a right side view thereof;  
FIG. 95 is a top view thereof;  
FIG. 96 is a bottom view thereof;  
FIG. 97 is a rear perspective view of an alternate embodiment of a connector showing our new design;  
FIG. 98 is a front perspective view thereof;  
FIG. 99 is a front view thereof;  
FIG. 100 is a rear view thereof;  
FIG. 101 is a left side view thereof;  
FIG. 102 is a right side view thereof;  
FIG. 103 is a top view thereof;  
FIG. 104 is a bottom view thereof;  
FIG. 105 is a rear perspective view of an alternate embodiment of a connector showing our new design which is a mirror image of the connector of FIGS. 97-104;  
FIG. 106 is a front perspective view thereof;  
FIG. 107 is a front view thereof;  
FIG. 108 is a rear view thereof;  
FIG. 109 is a left side view thereof;  
FIG. 110 is a right side view thereof;  
FIG. 111 is a top view thereof;  
FIG. 112 is a bottom view thereof;  
FIG. 113 is a rear perspective view of an alternate embodiment of a connector showing our new design;  
FIG. 114 is a front perspective view thereof;  
FIG. 115 is a front view thereof;  
FIG. 116 is a rear view thereof;  
FIG. 117 is a left side view thereof;  
FIG. 118 is a right side view thereof;  
FIG. 119 is a top view thereof;  
FIG. 120 is a bottom view thereof;  
FIG. 121 is a rear perspective view of an alternate embodiment of a connector showing our new design which is a mirror image of the connector of FIGS. 113-120;  
FIG. 122 is a front perspective view thereof;  
FIG. 123 is a front view thereof;  
FIG. 124 is a rear view thereof;  
FIG. 125 is a left side view thereof;  
FIG. 126 is a right side view thereof;  
FIG. 127 is a top view thereof;  
FIG. 128 is a bottom view thereof;  
FIG. 129 is a rear perspective view of an alternate embodiment of a connector showing our new design;  
FIG. 130 is a front perspective view thereof;  
FIG. 131 is a front view thereof;  
FIG. 132 is a rear view thereof;  
FIG. 133 is a left side view thereof;  
FIG. 134 is a right side view thereof;  
FIG. 135 is a top view thereof;  
FIG. 136 is a bottom view thereof;

FIG. 137 is a rear perspective view of an alternate embodiment of a connector showing our new design which is a mirror image of the connector of FIGS. 129-136;  
 FIG. 138 is a front perspective view thereof;  
 FIG. 139 is a front view thereof;  
 FIG. 140 is a rear view thereof;  
 FIG. 141 is a left side view thereof;  
 FIG. 142 is a right side view thereof;  
 FIG. 143 is a top view thereof;  
 FIG. 144 is a bottom view thereof;  
 FIG. 145 is a rear perspective view of an alternate embodiment of a connector showing our new design;  
 FIG. 146 is a front perspective view thereof;  
 FIG. 147 is a front view thereof;  
 FIG. 148 is a rear view thereof;  
 FIG. 149 is a left side view thereof;  
 FIG. 150 is a right side view thereof;  
 FIG. 151 is a top view thereof;  
 FIG. 152 is a bottom view thereof;  
 FIG. 153 is a rear perspective view of an alternate embodiment of a connector showing our new design which is a mirror image of the connector of FIGS. 145-152;  
 FIG. 154 is a front perspective view thereof;  
 FIG. 155 is a front view thereof;  
 FIG. 156 is a rear view thereof;  
 FIG. 157 is a left side view thereof;  
 FIG. 158 is a right side view thereof;  
 FIG. 159 is a top view thereof;  
 FIG. 160 is a bottom view thereof;  
 FIG. 161 is a rear perspective view of an alternate embodiment of a connector showing our new design;  
 FIG. 162 is a front perspective view thereof;  
 FIG. 163 is a front view thereof;  
 FIG. 164 is a rear view thereof;  
 FIG. 165 is a left side view thereof;  
 FIG. 166 is a right side view thereof;  
 FIG. 167 is a top view thereof;  
 FIG. 168 is a bottom view thereof;  
 FIG. 169 is a rear perspective view of an alternate embodiment of a connector showing our new design which is a mirror image of the connector of FIGS. 161-168;  
 FIG. 170 is a front perspective view thereof;  
 FIG. 171 is a front view thereof;  
 FIG. 172 is a rear view thereof;  
 FIG. 173 is a left side view thereof;

FIG. 174 is a right side view thereof;  
 FIG. 175 is a top view thereof; and,  
 FIG. 176 is a bottom view thereof.

The broken lines immediately adjacent to the shaded areas represent the bounds of the claimed design and form no part thereof. The broken lines depicting the remainder of the connector show features that form no part of the claimed design.

**1 Claim, 116 Drawing Sheets**

(56)

**References Cited**

U.S. PATENT DOCUMENTS

6,113,414	A	*	9/2000	Fukuda	.....	H01R 13/639 439/352
D494,141	S	*	8/2004	Spink, Jr.	.....	D13/147
D524,755	S	*	7/2006	Kudo	.....	D13/147
D550,628	S	*	9/2007	Whiteman, Jr.	.....	D13/147
D604,248	S	*	11/2009	Sakamoto	.....	D13/147
D608,285	S	*	1/2010	Sato	.....	D13/146
D610,997	S	*	3/2010	Sakamoto	.....	D13/147
D750,562	S	*	3/2016	Makimura	.....	D13/133
D773,998	S	*	12/2016	Endo	.....	D13/147
D801,278	S		10/2017	Li et al.		
D803,161	S		11/2017	Li et al.		
D832,788	S	*	11/2018	Li	.....	D13/147

FOREIGN PATENT DOCUMENTS

JP	D1606274	6/2018
TW	D176646	6/2016
TW	D184083	7/2017
TW	D188002	1/2018
TW	D188258	2/2018
TW	D191422	7/2018

OTHER PUBLICATIONS

Receptacle Housing, Oct. 1, 2019, [online], [site visited Apr. 22, 2020], Available from Internet URL: [https://www.newegg.com/p/0HZ-0033-00056?Description=molex%20female%20housing&cm\\_re=molex\\_female\\_housing--9SIAKWFA3H6552--Product](https://www.newegg.com/p/0HZ-0033-00056?Description=molex%20female%20housing&cm_re=molex_female_housing--9SIAKWFA3H6552--Product) (Year: 2019).\*

\* cited by examiner

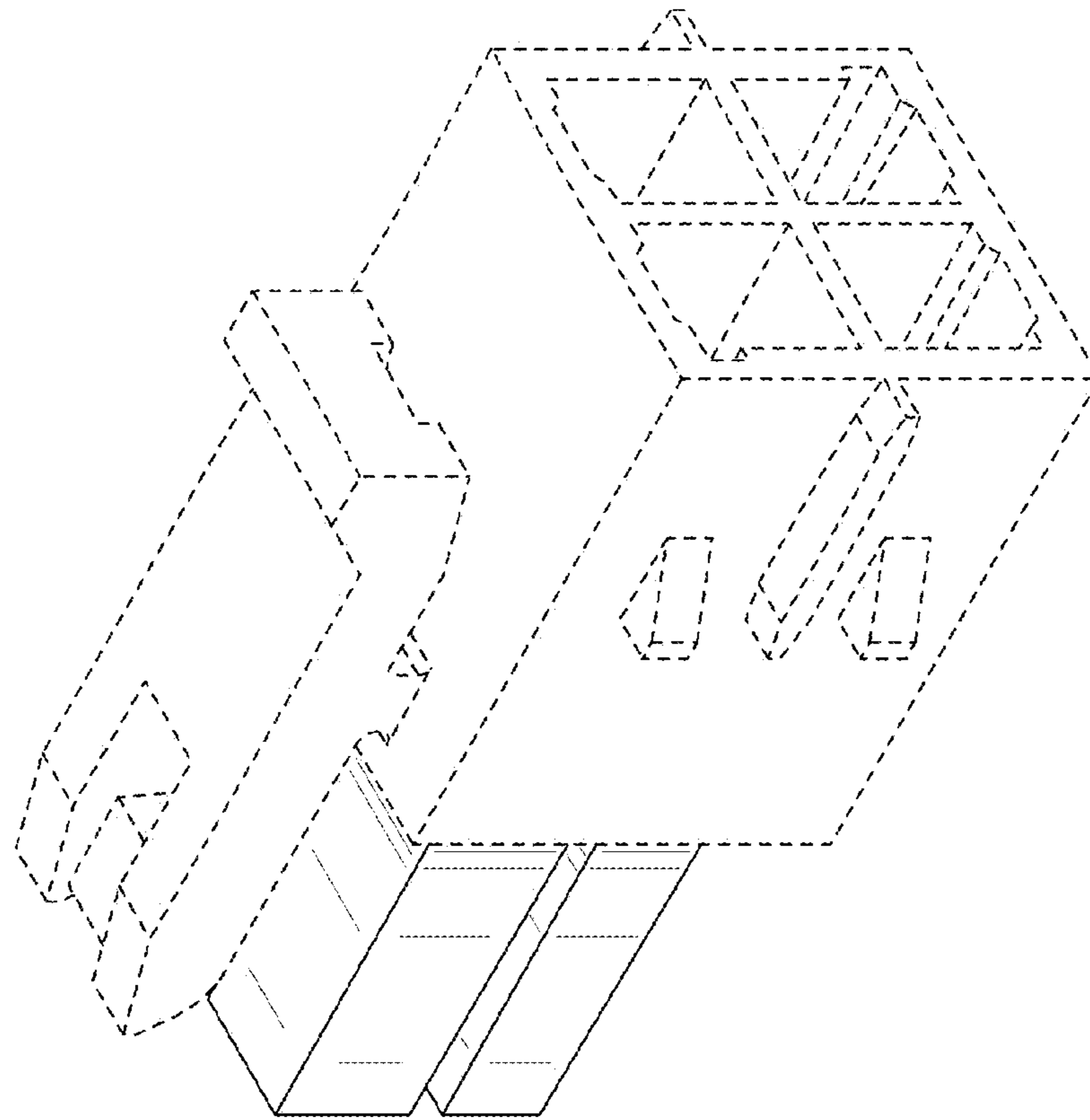


FIG. 2

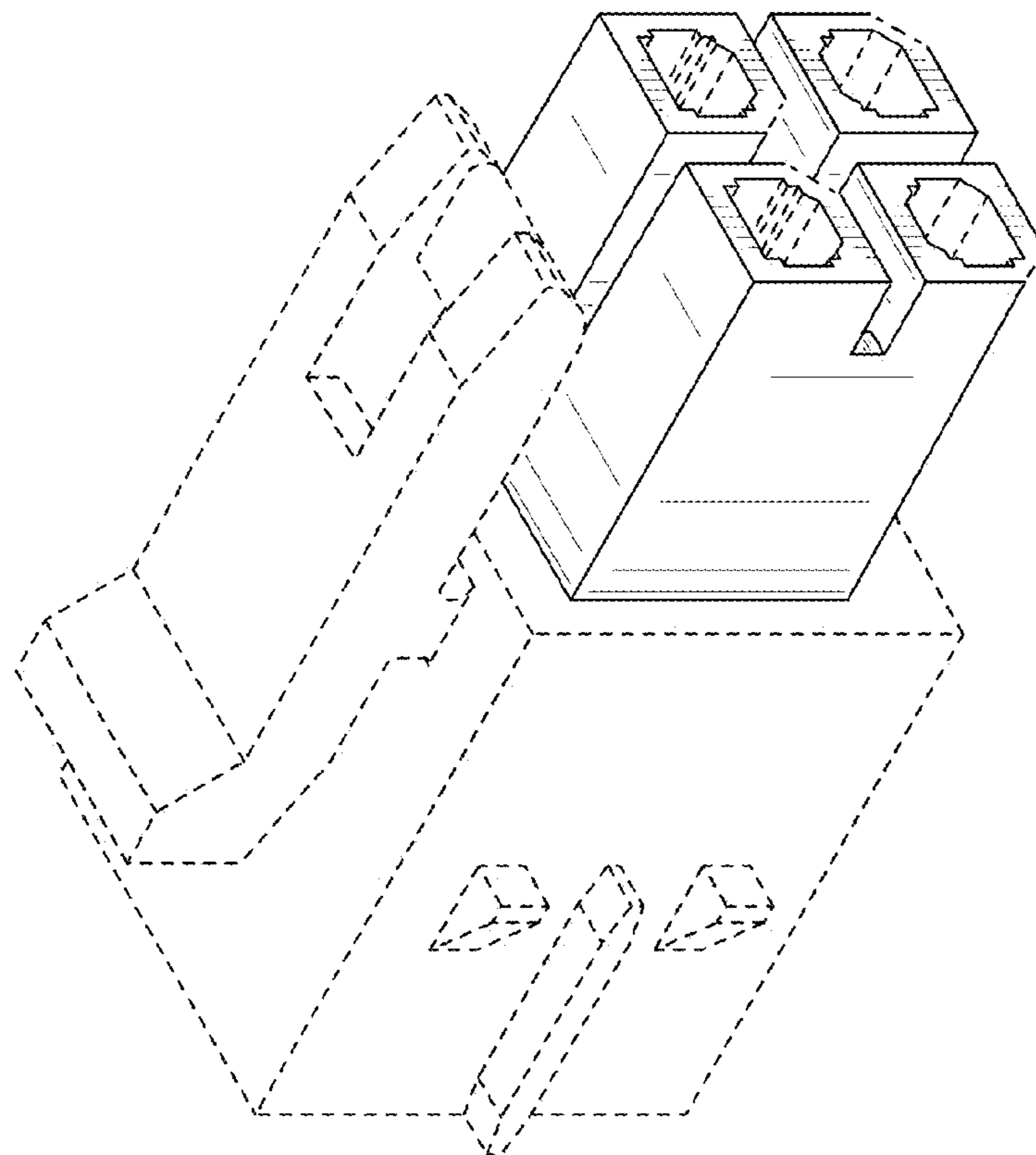


FIG. 1

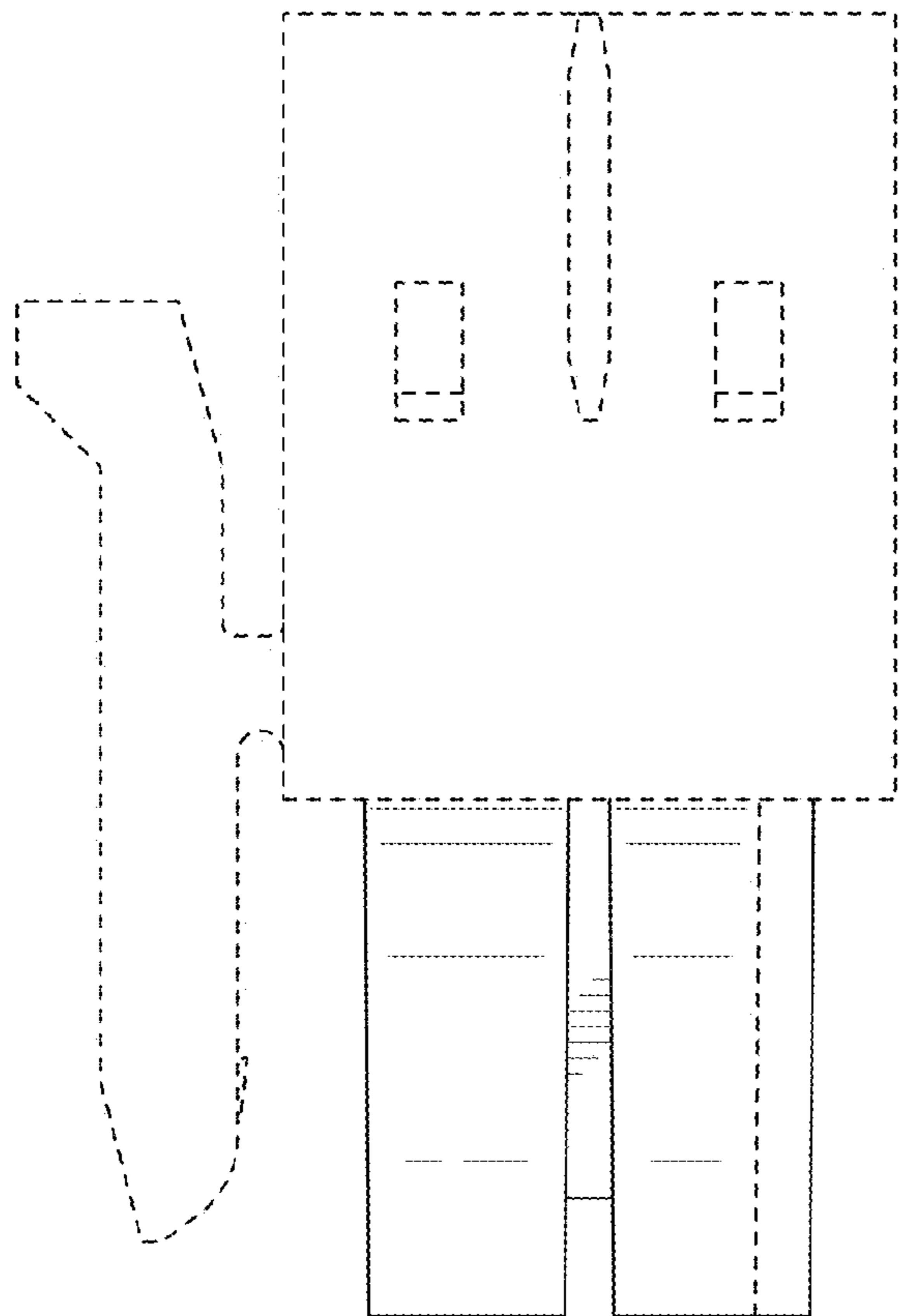


FIG. 5

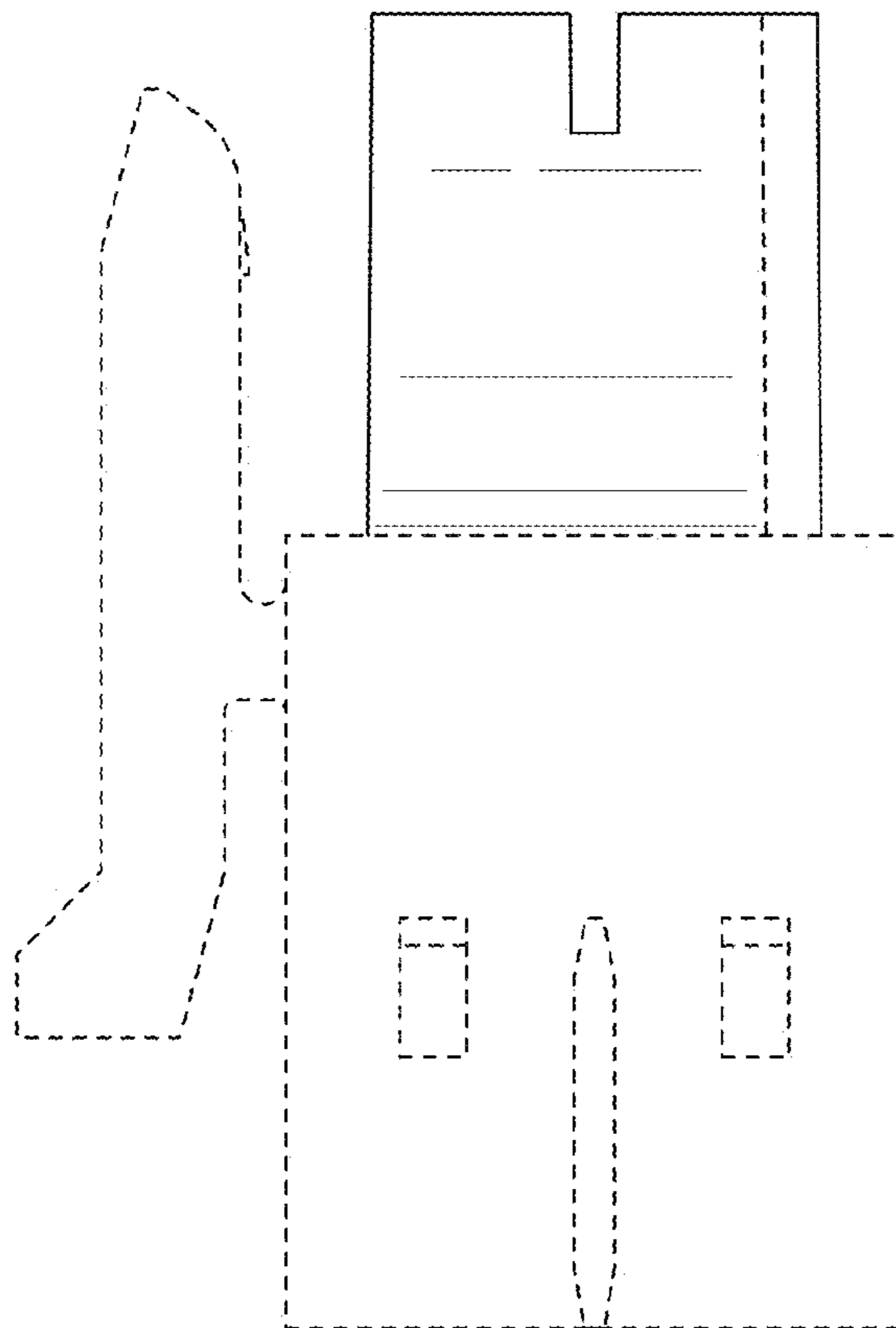


FIG. 6

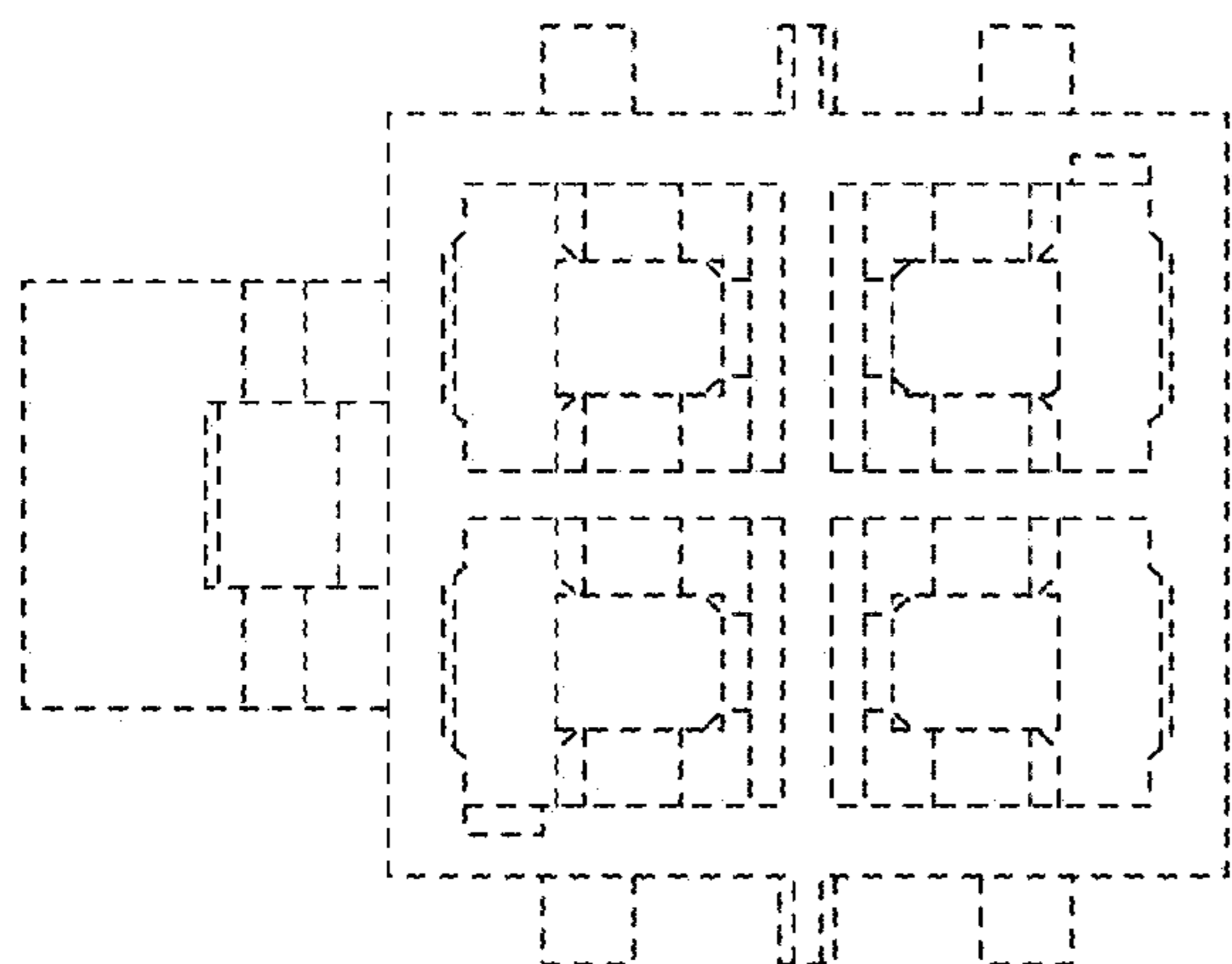


FIG. 3

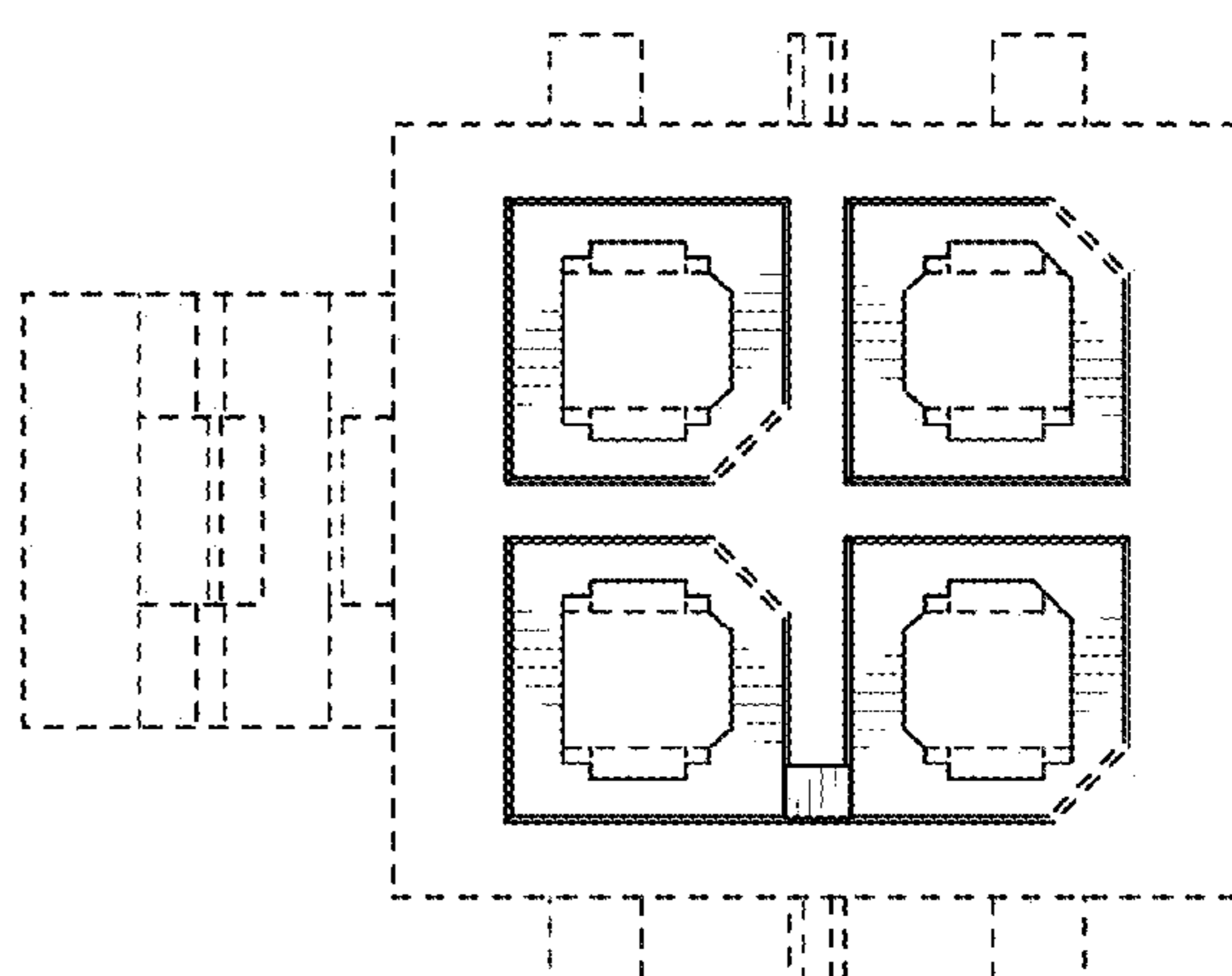


FIG. 4

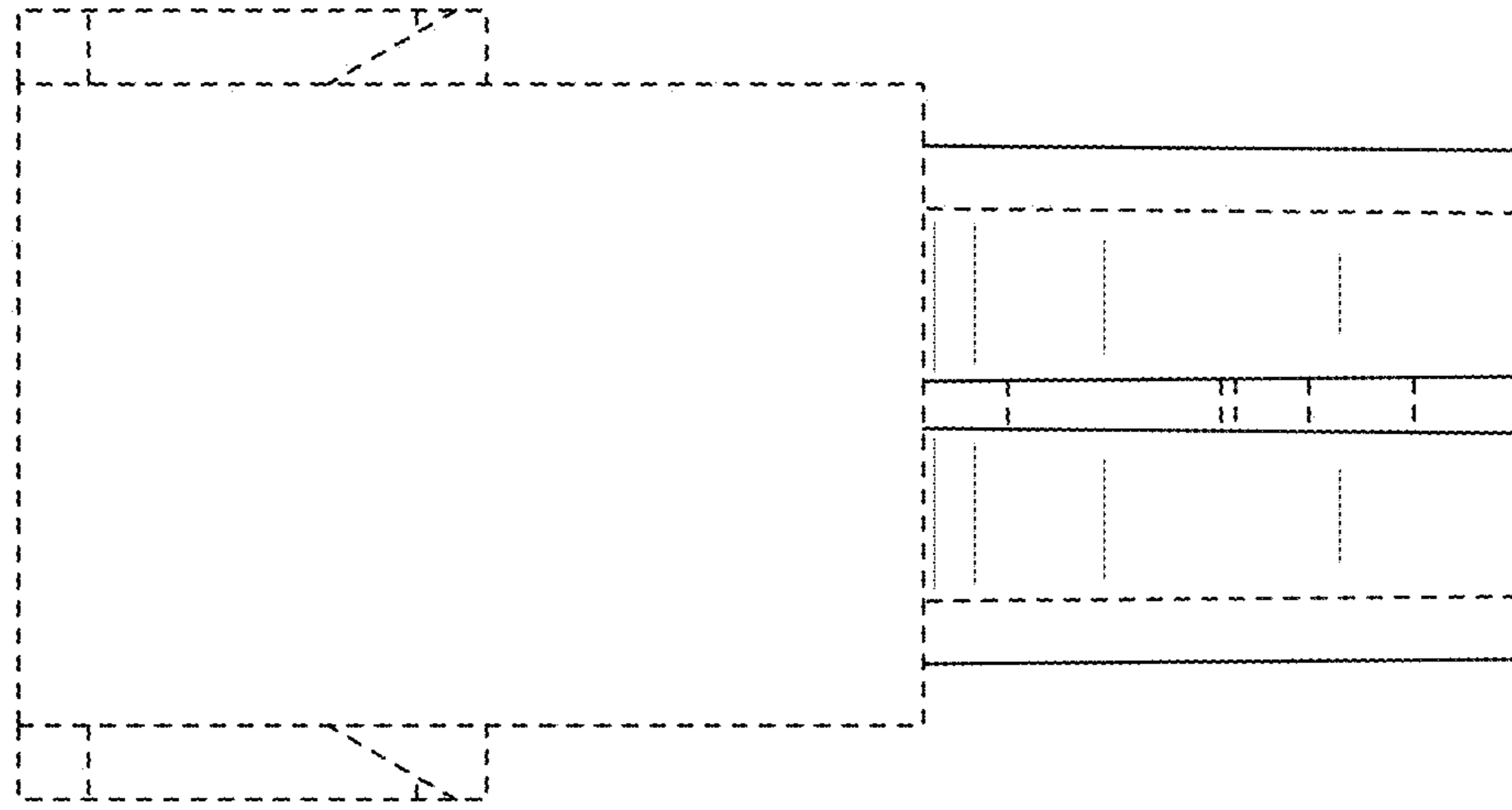


FIG. 8

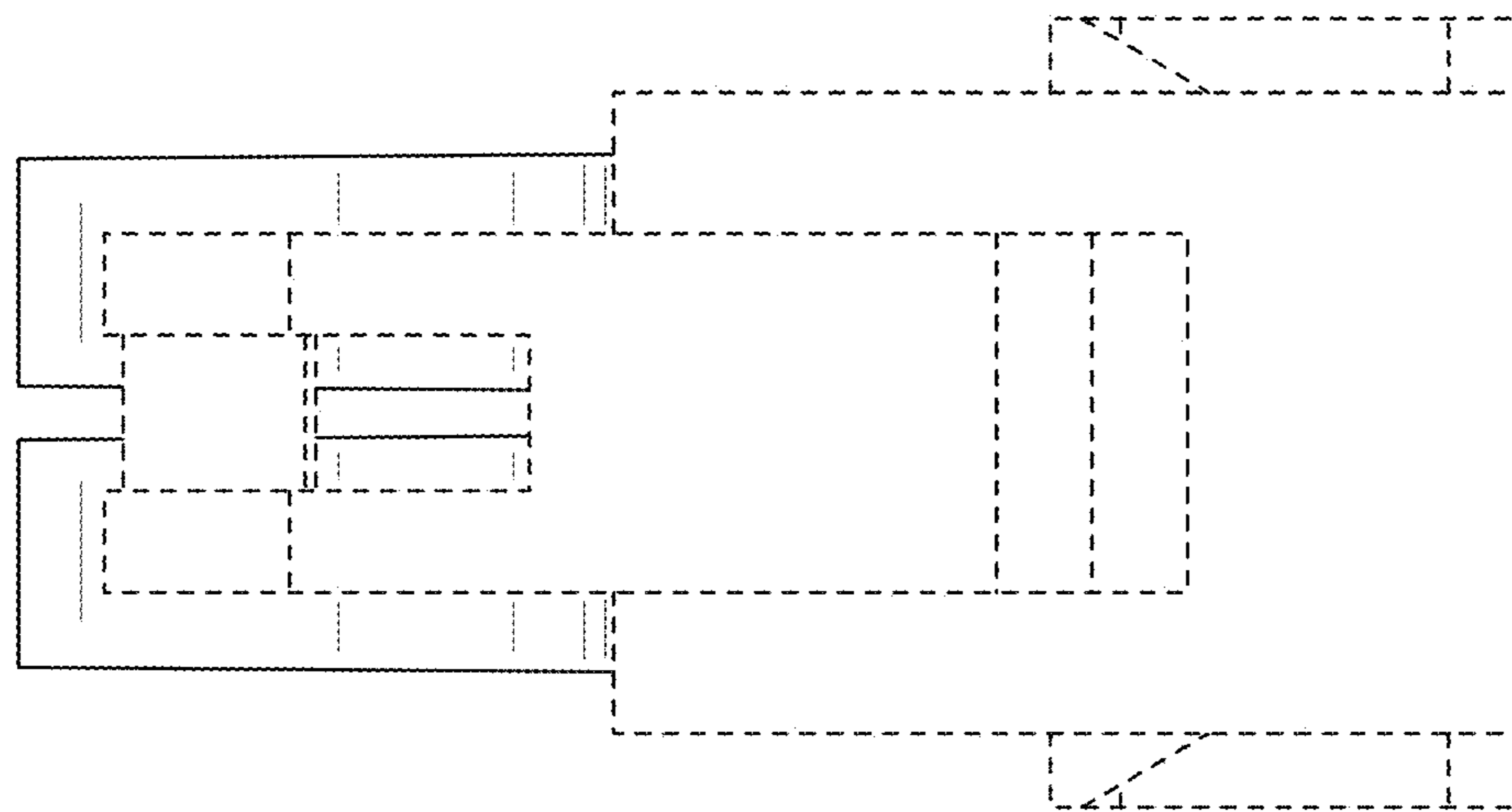


FIG. 7

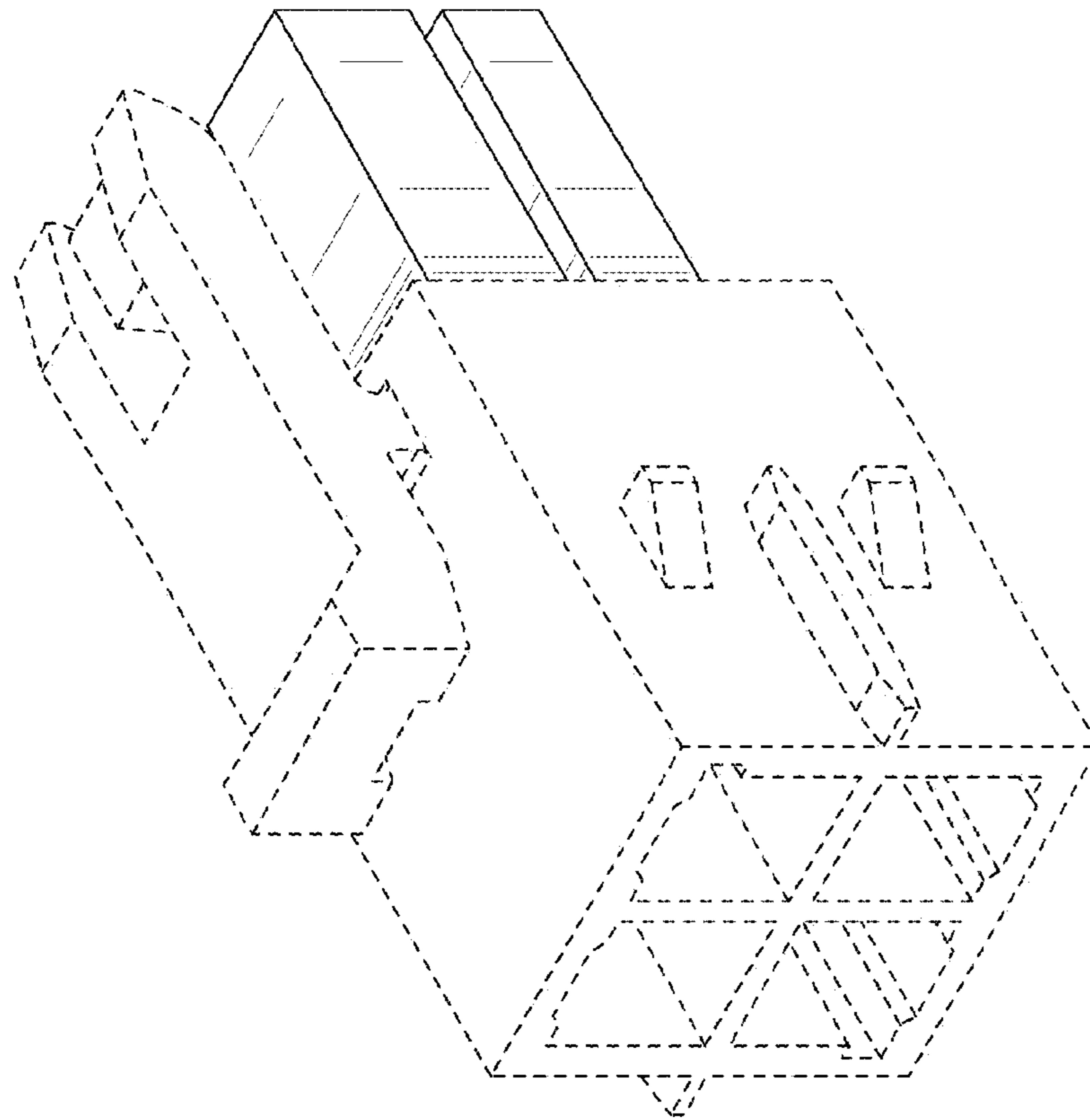


FIG. 10

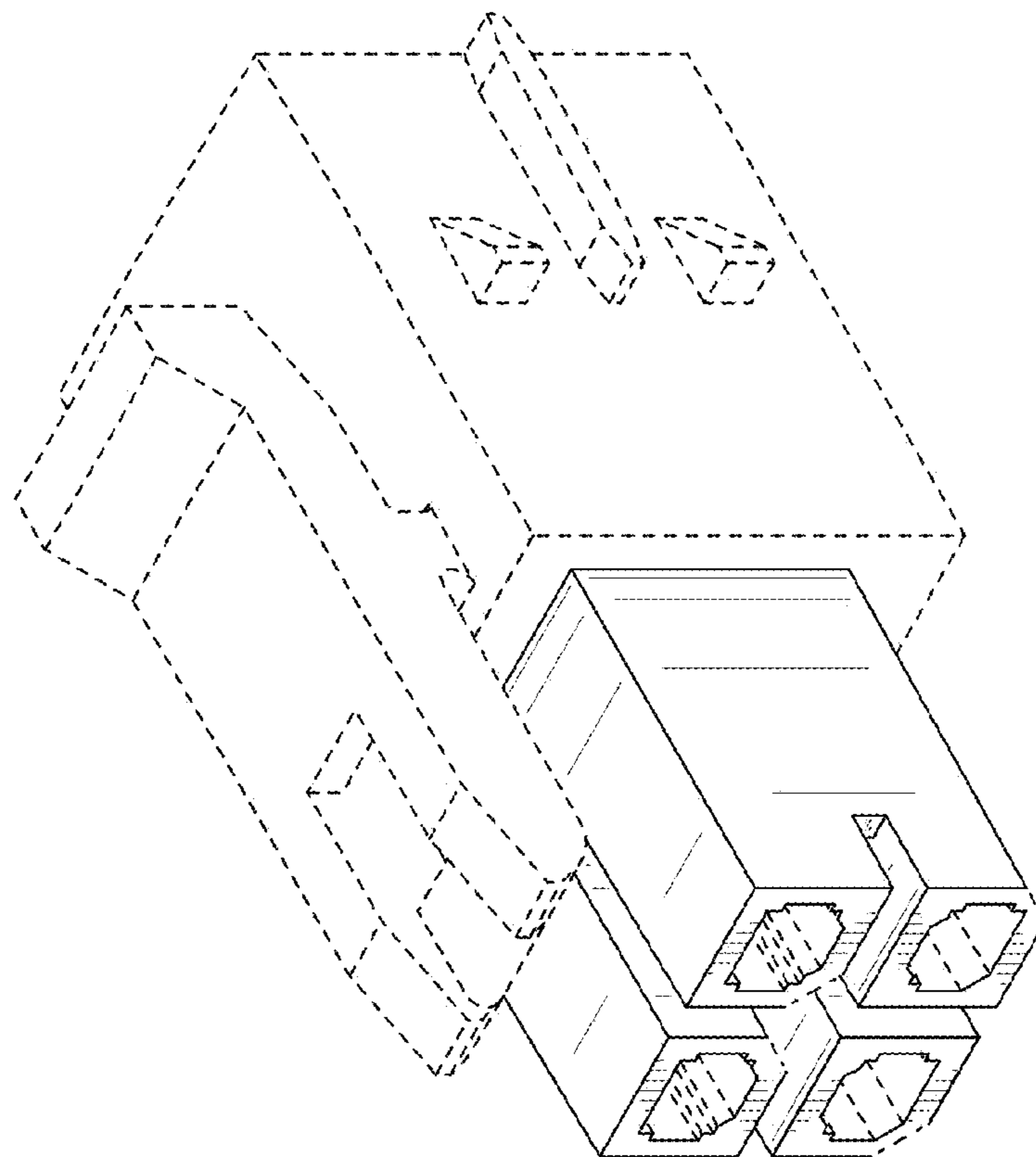


FIG. 9

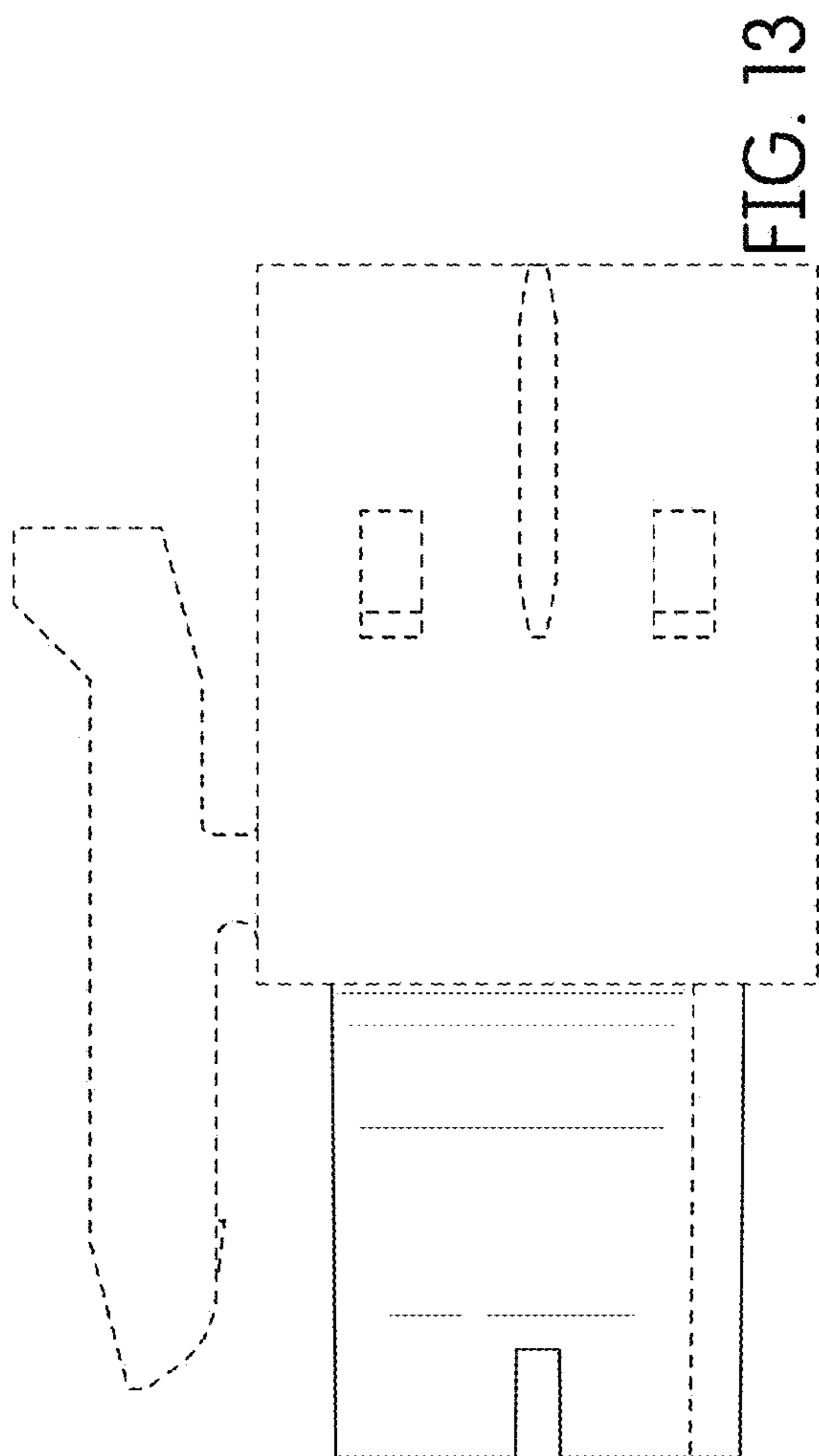


FIG. 13

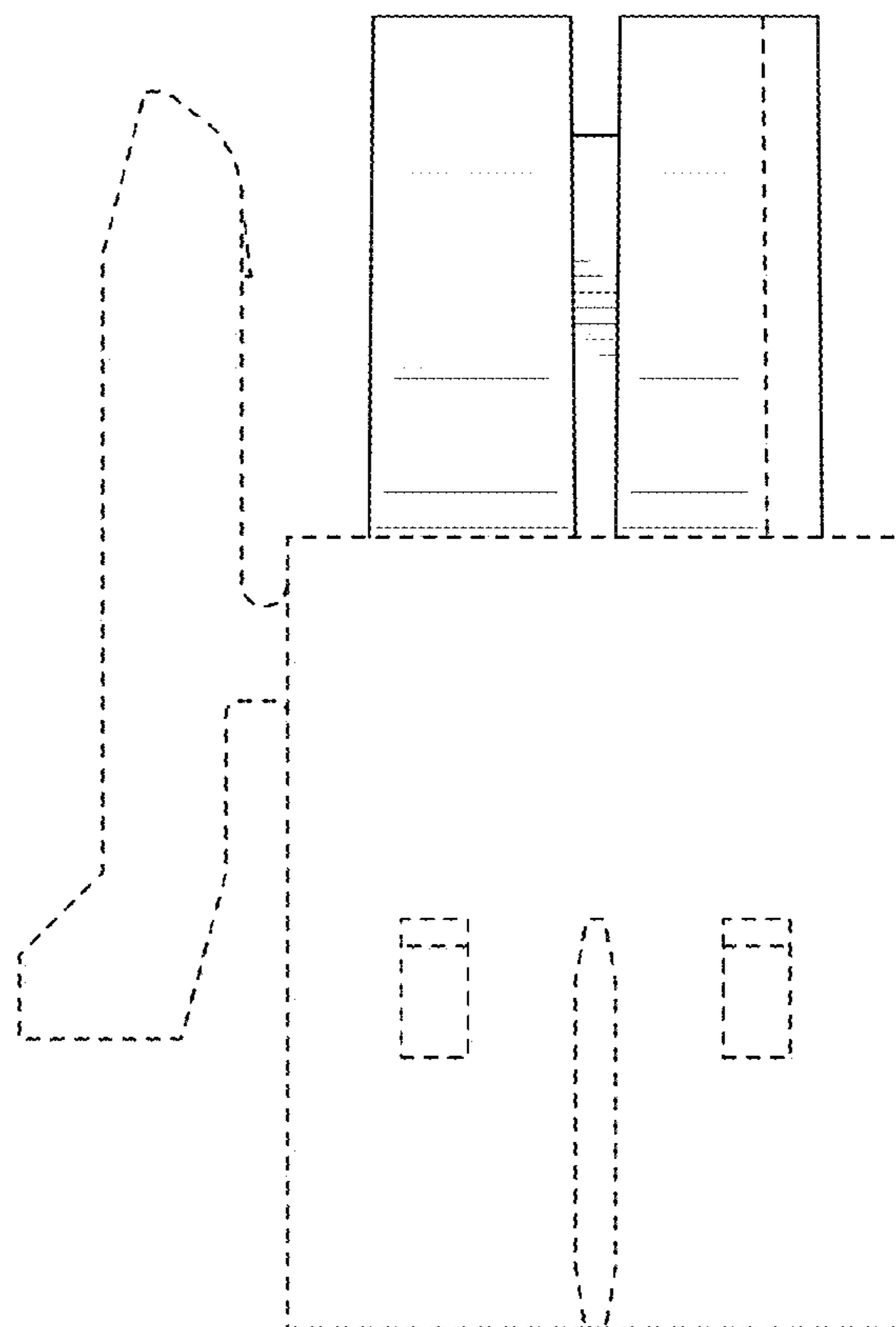


FIG. 14

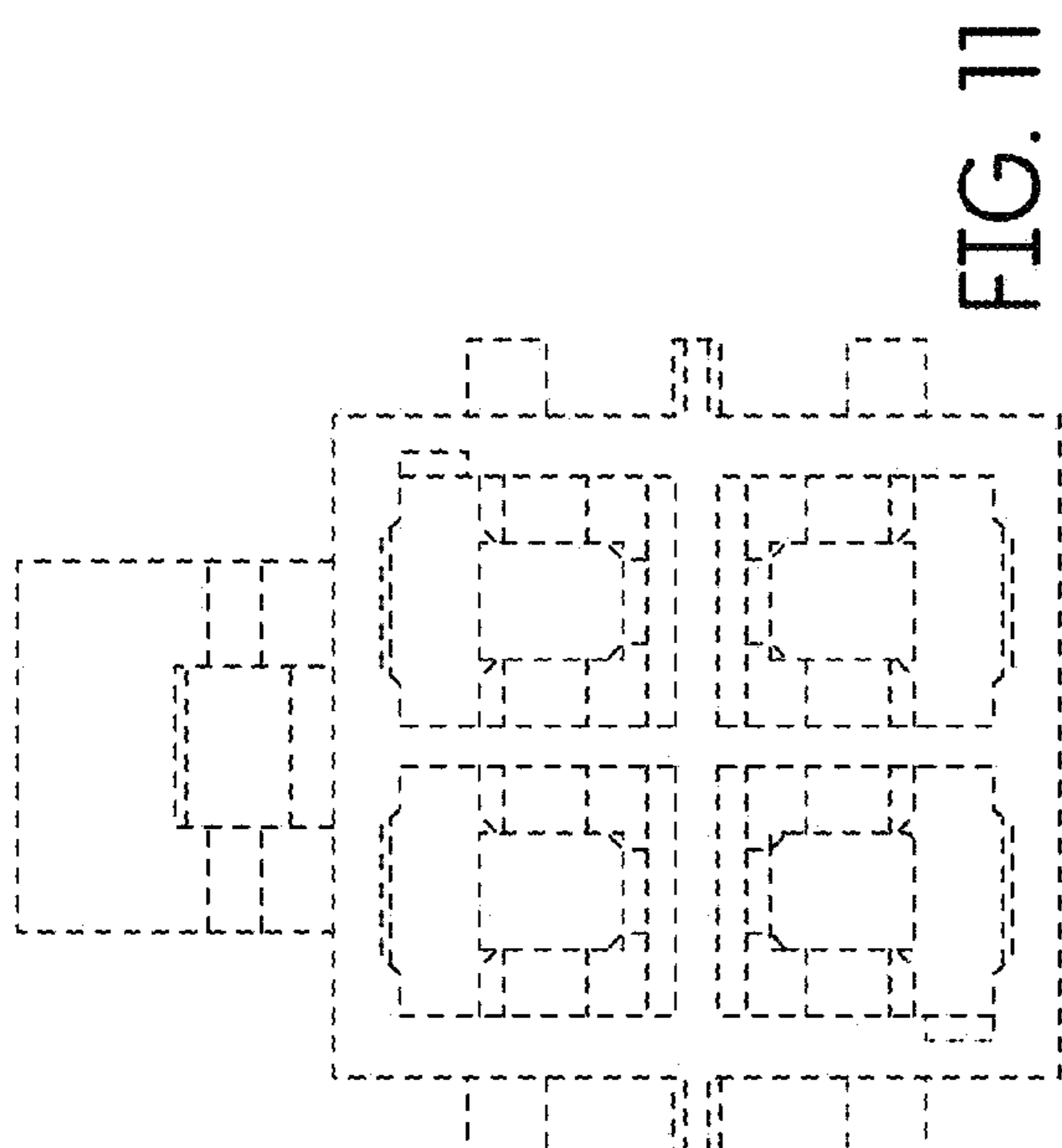


FIG. 11

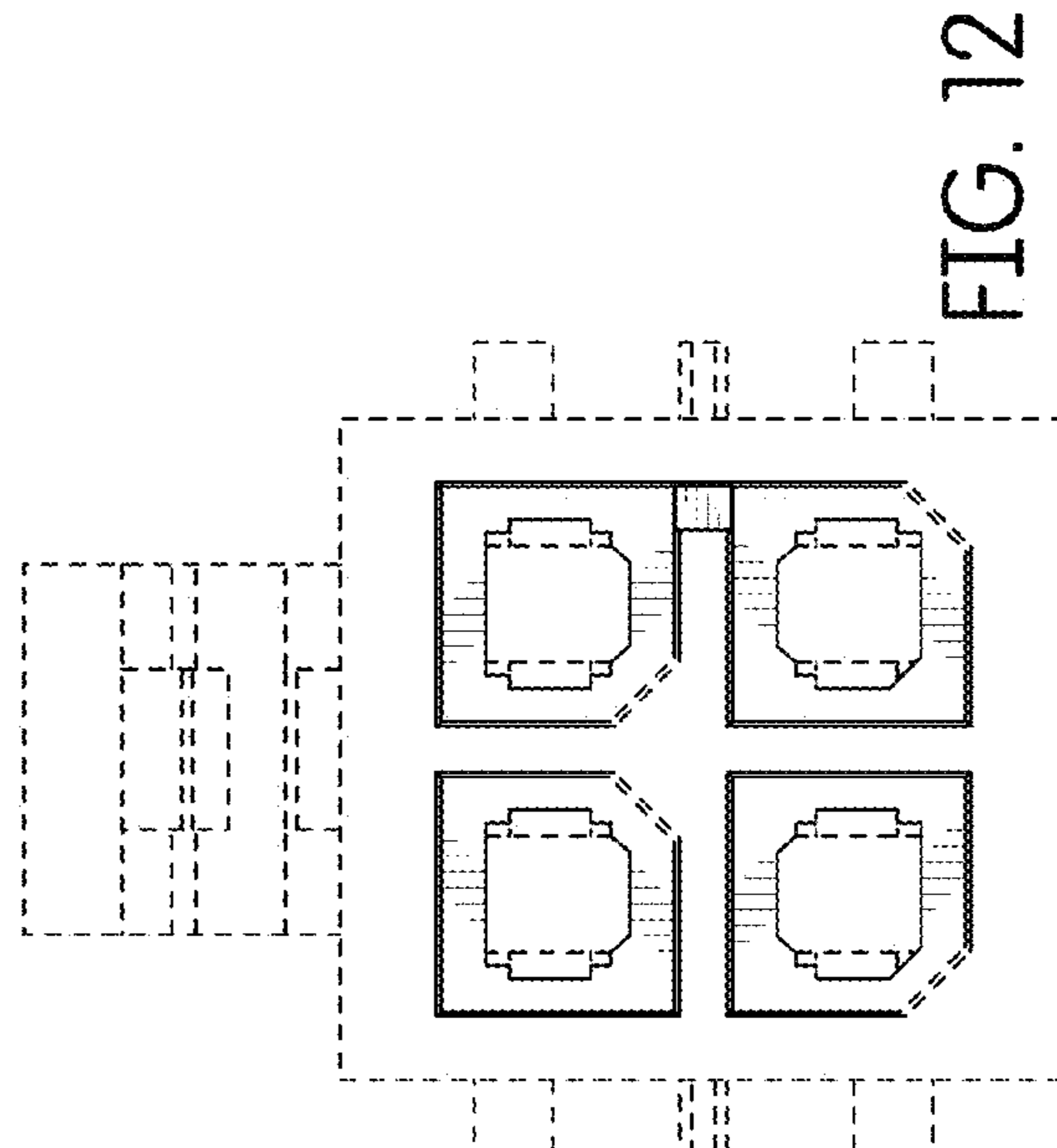


FIG. 12



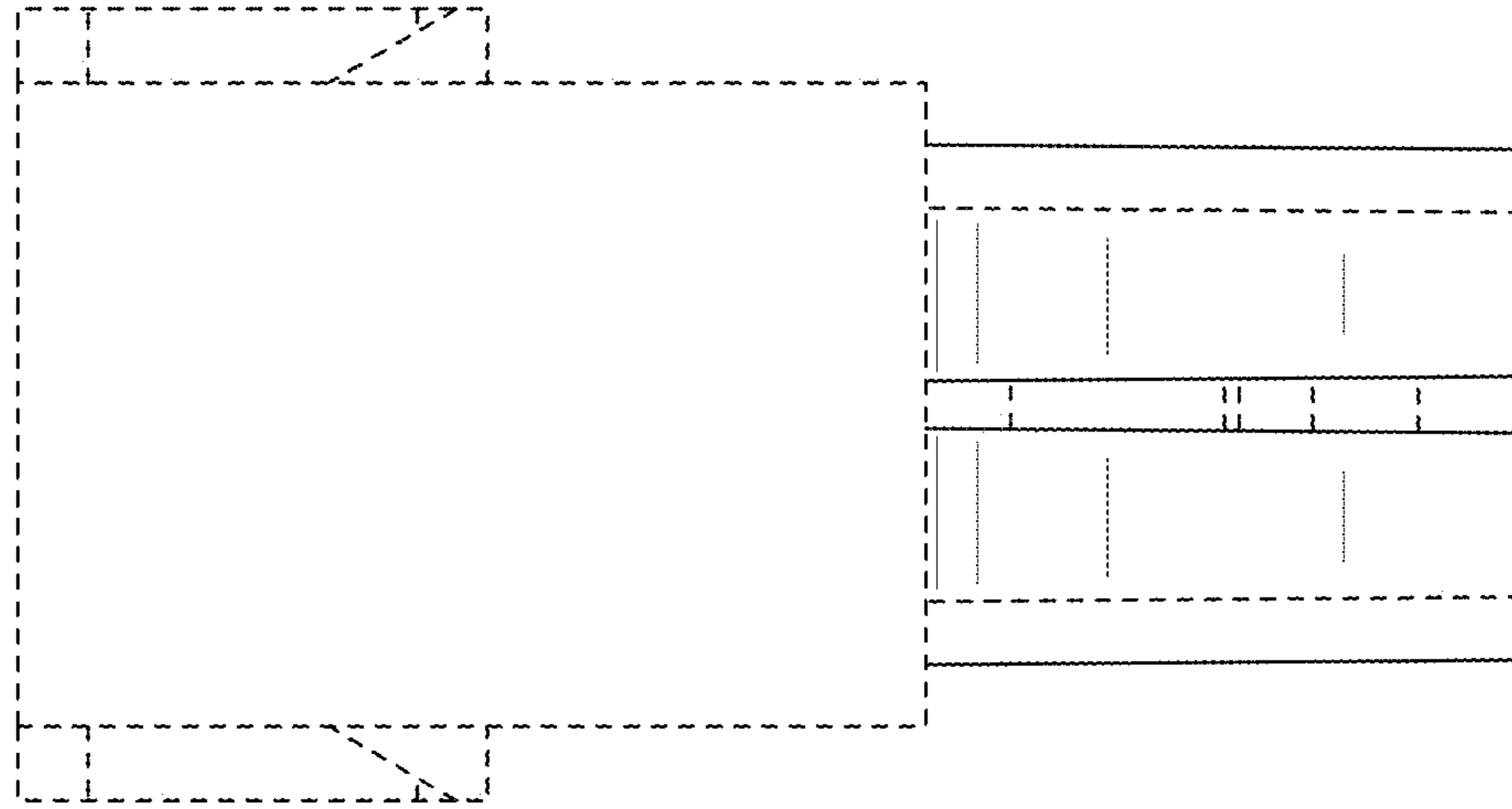


FIG. 16

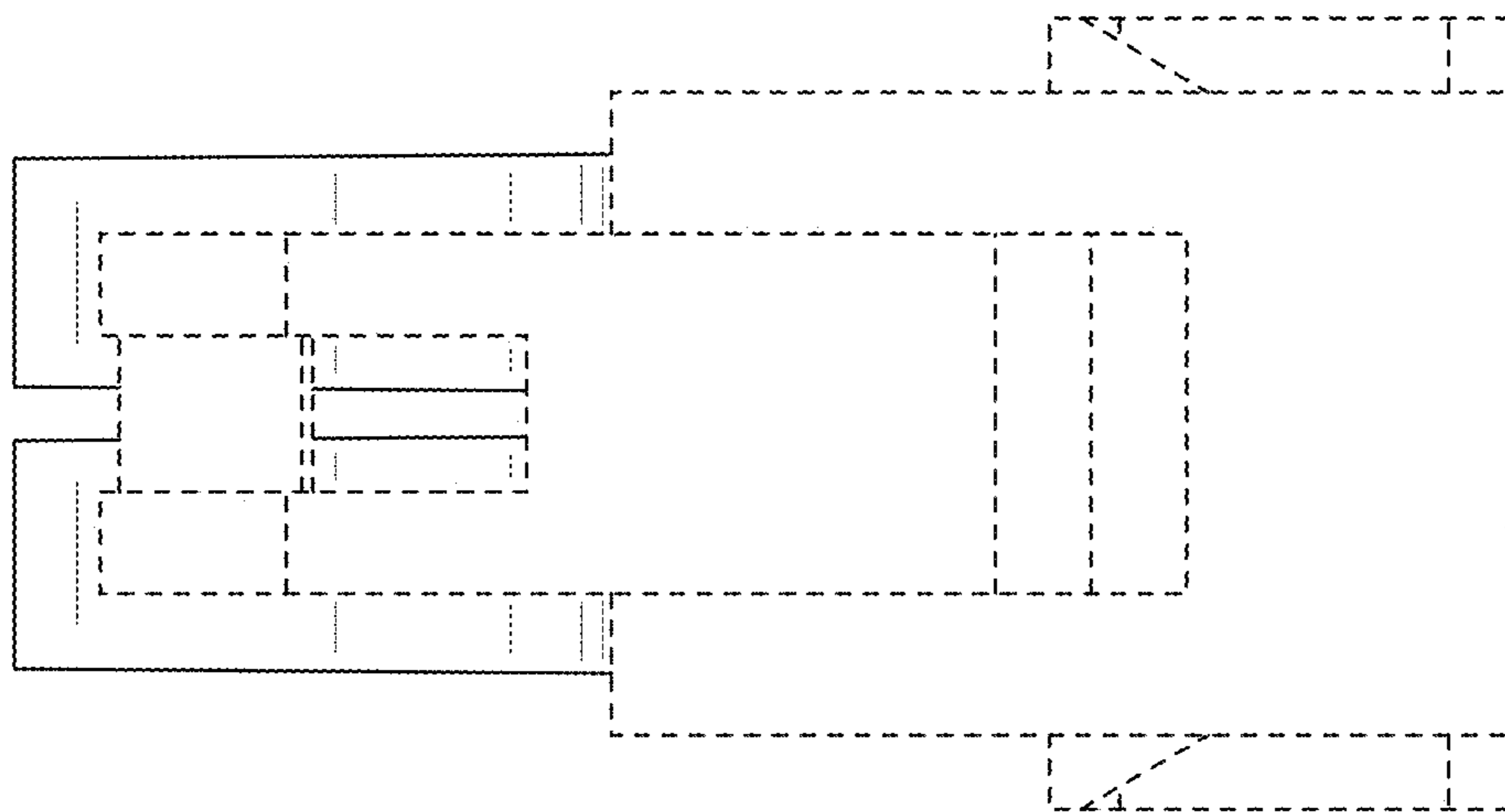


FIG. 15

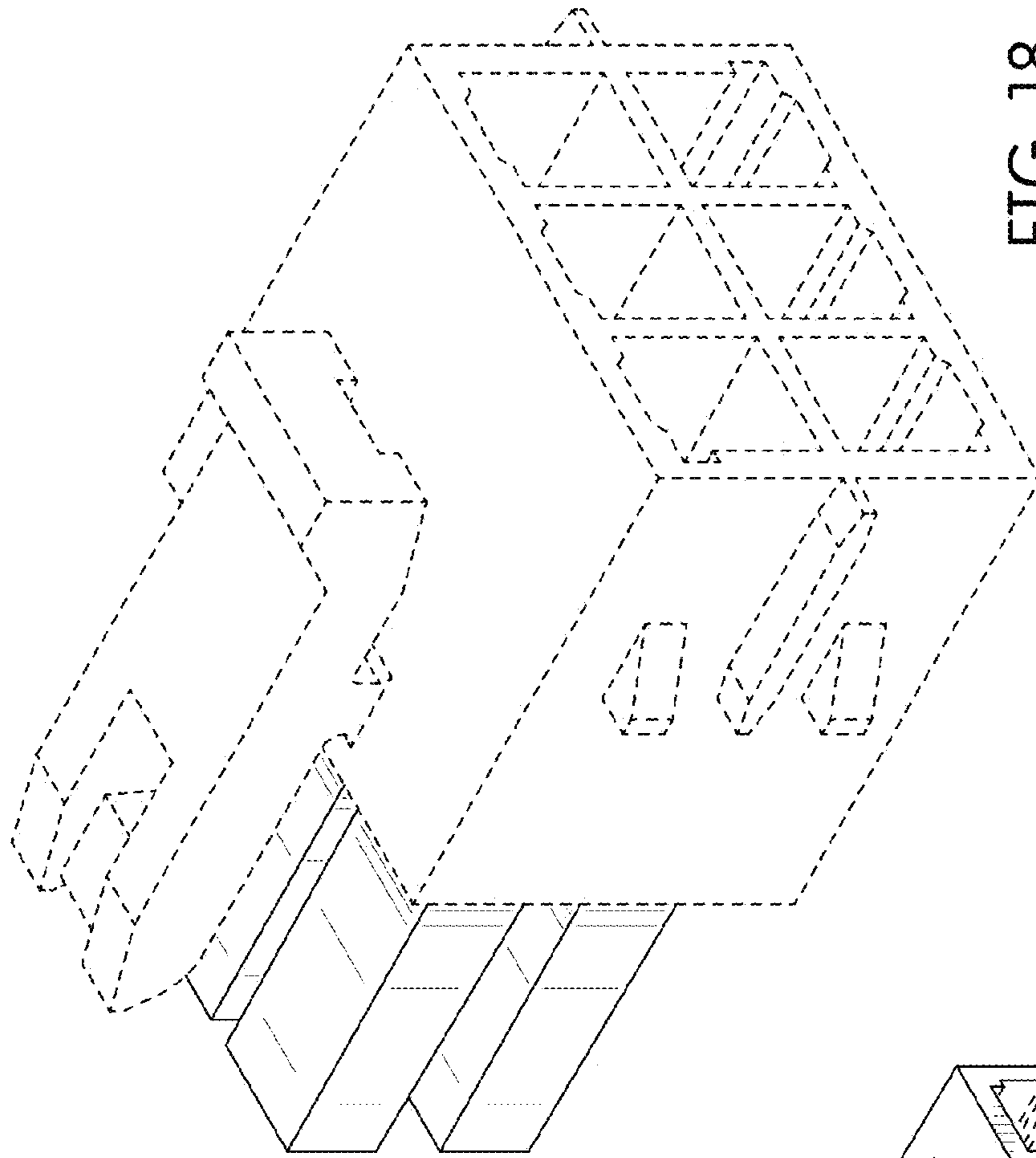


FIG. 18

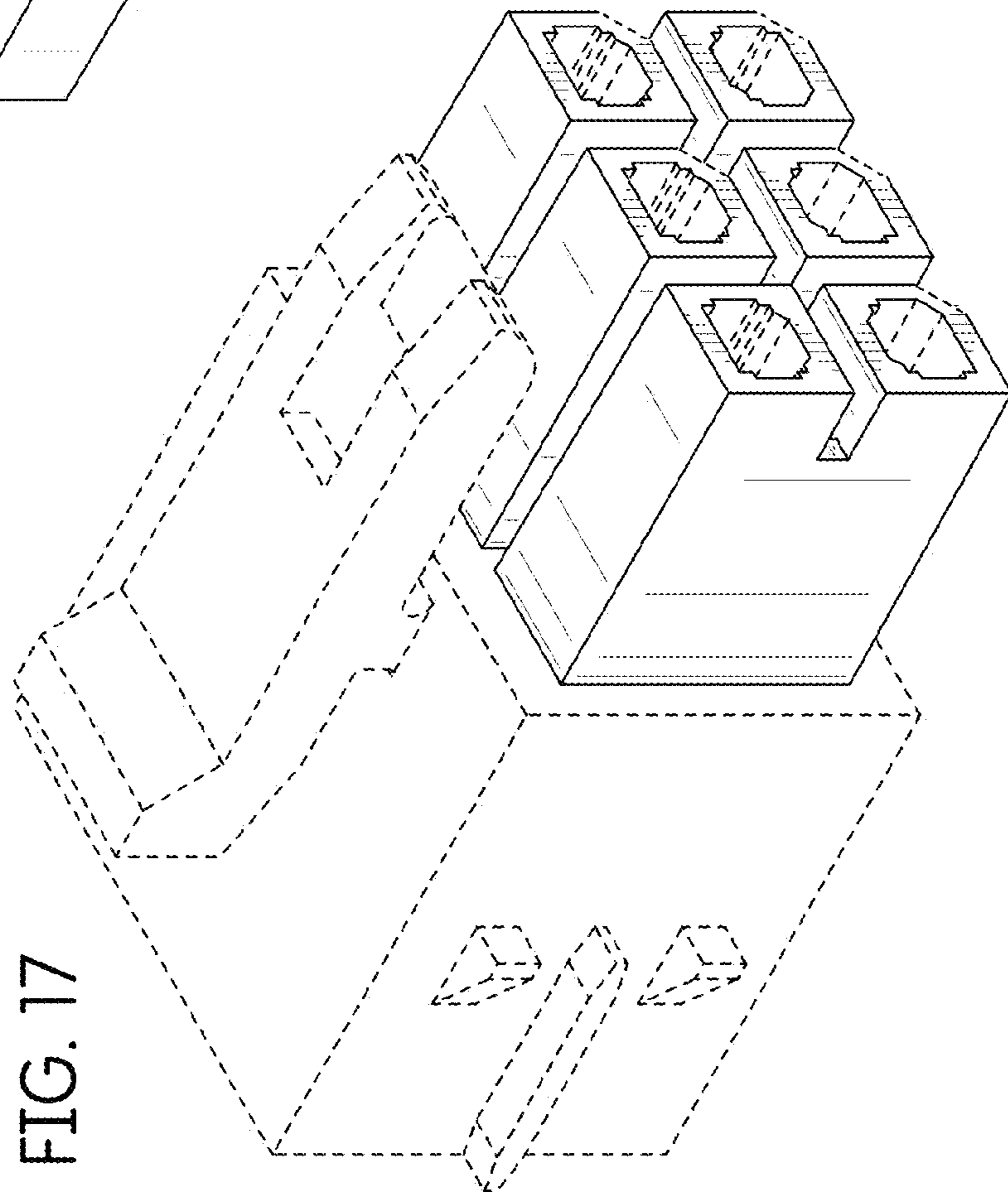


FIG. 17

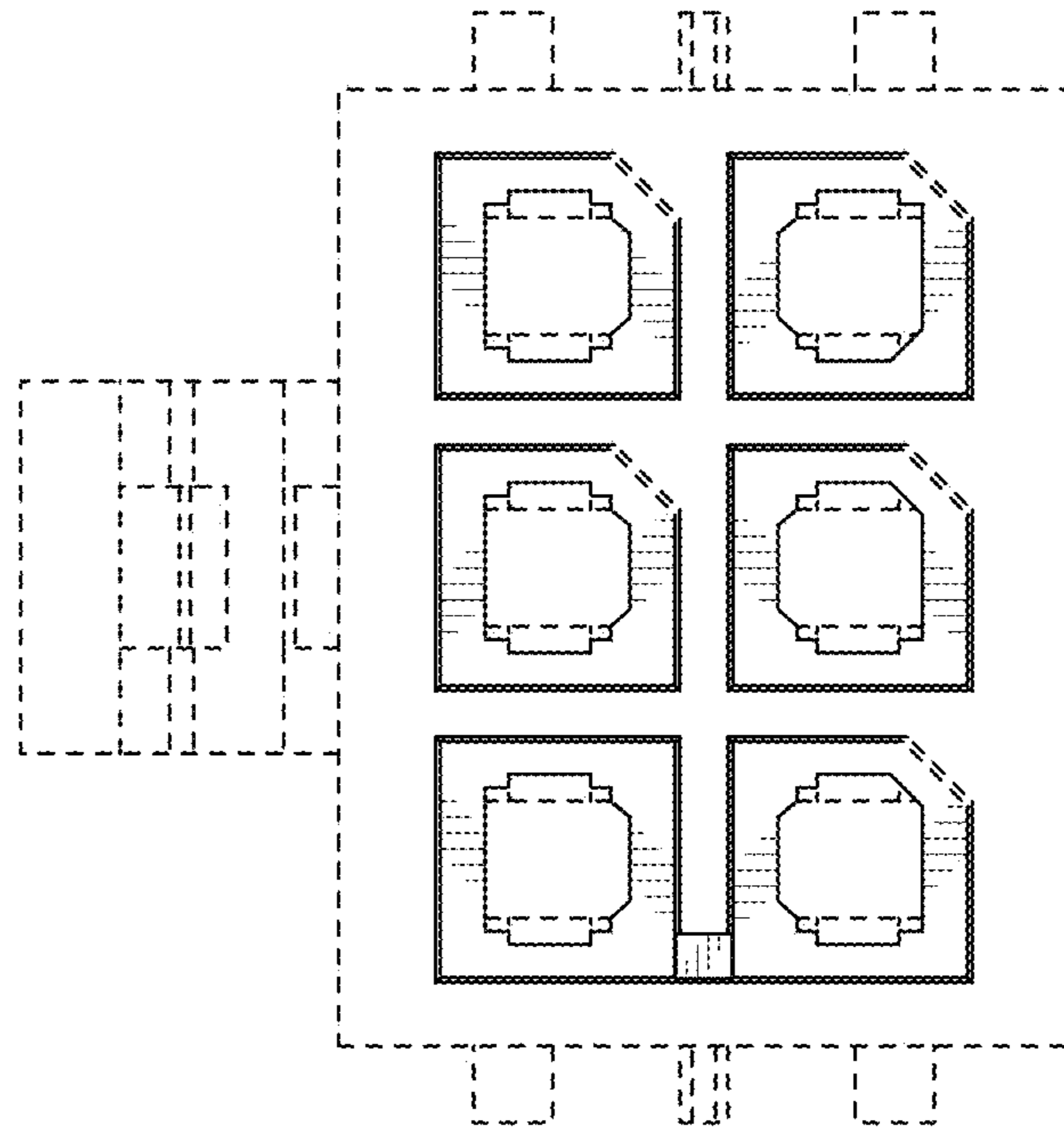


FIG. 20

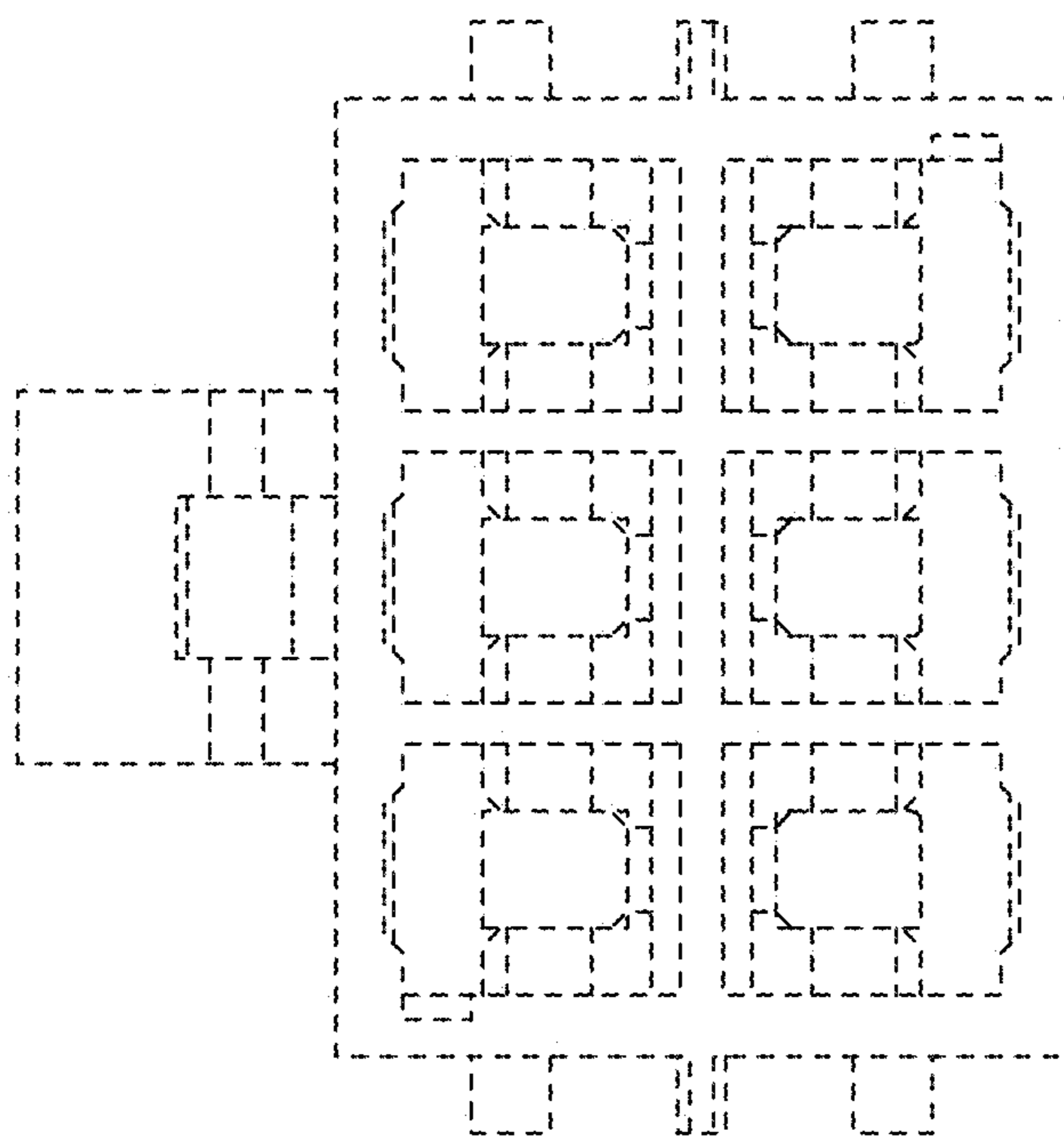


FIG. 19

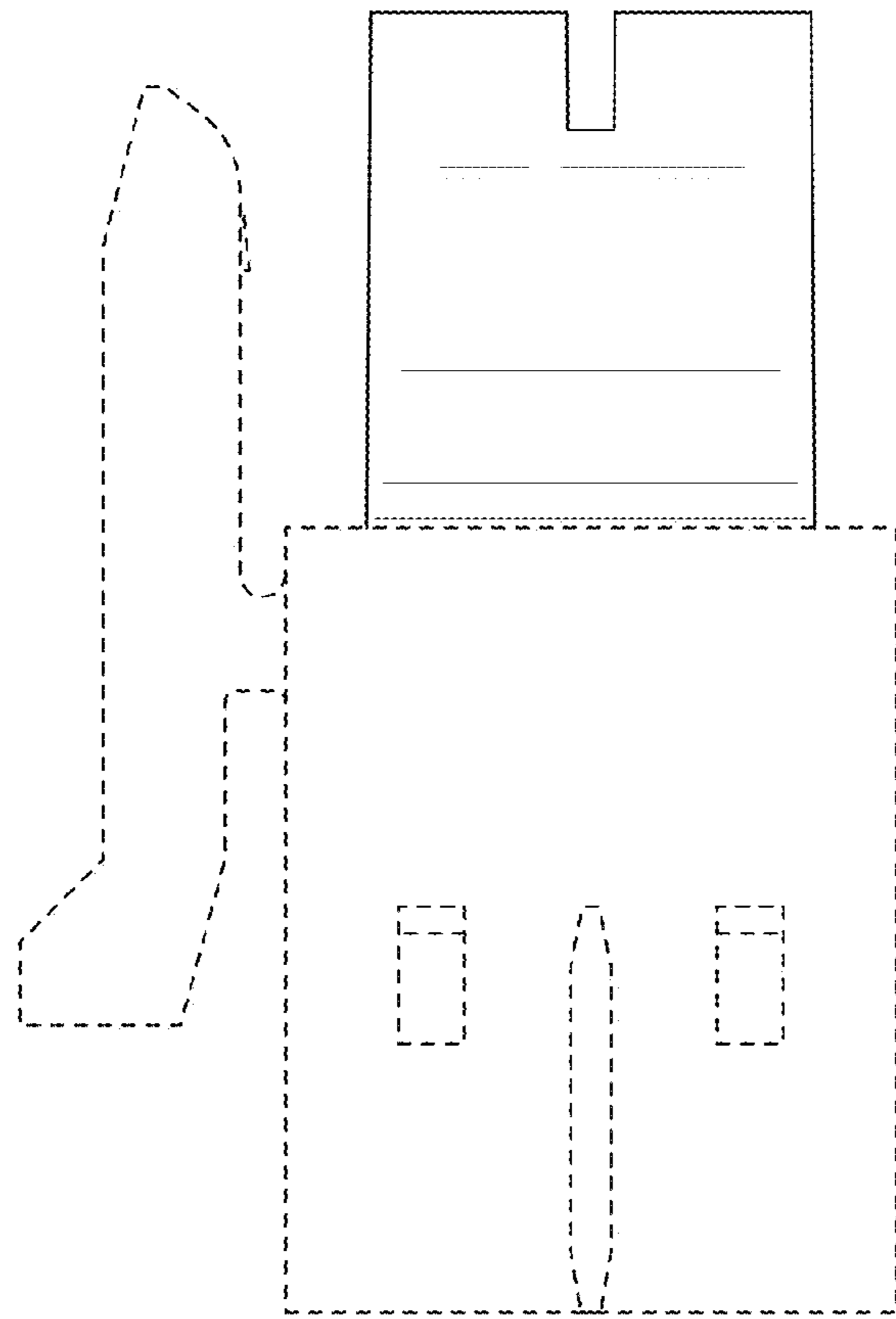


FIG. 22

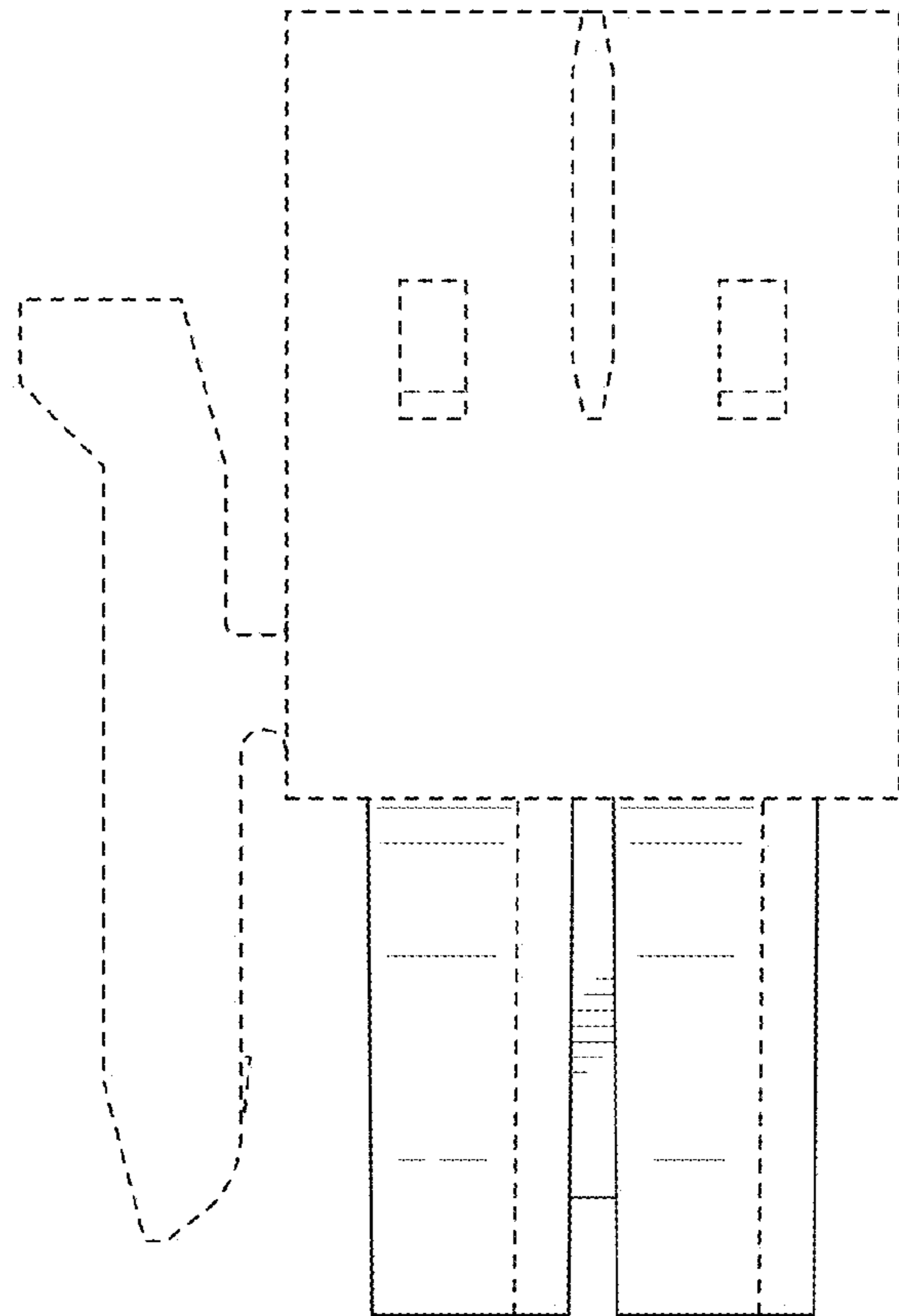


FIG. 21

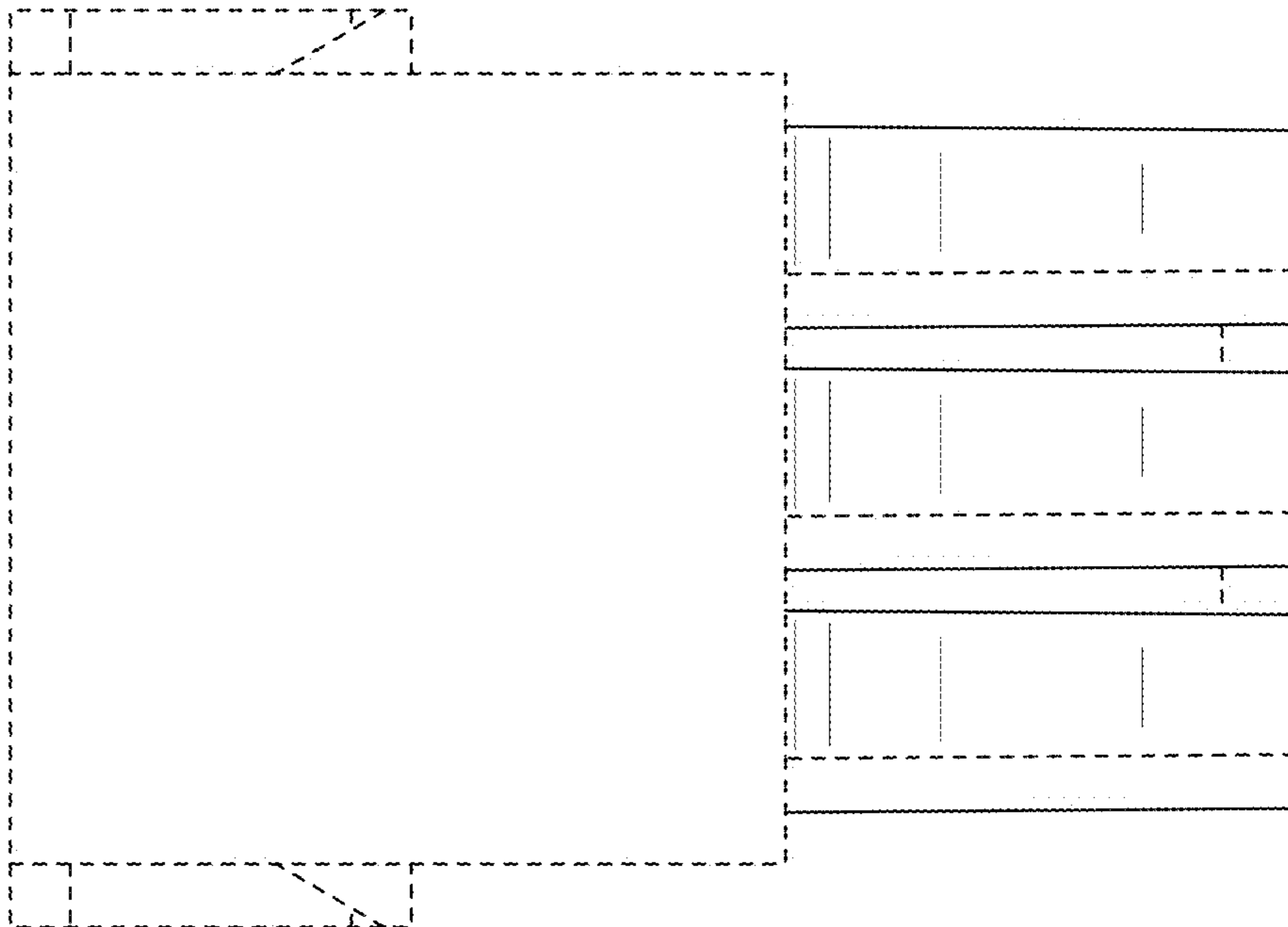


FIG. 24

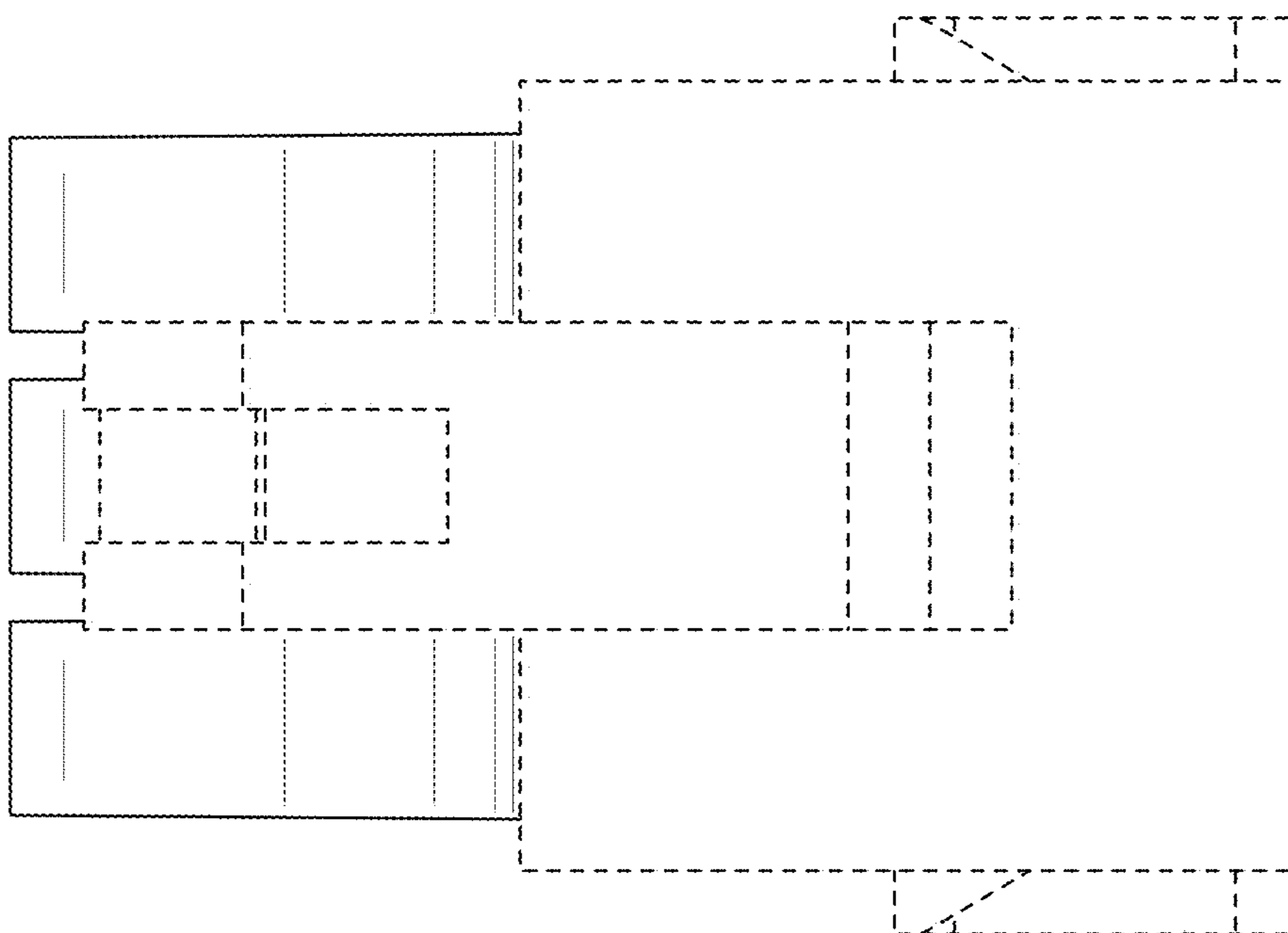


FIG. 23

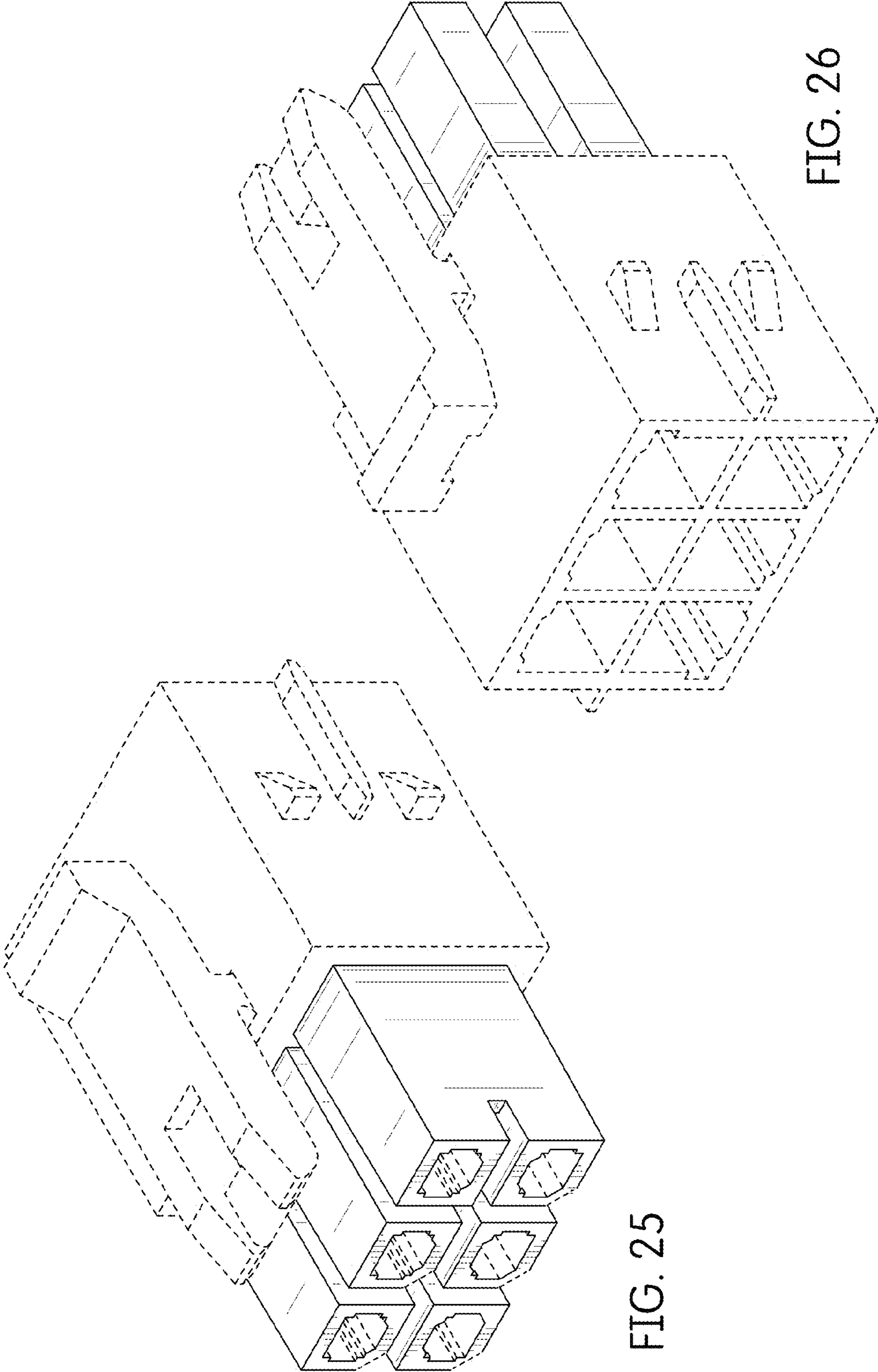


FIG. 25

FIG. 26

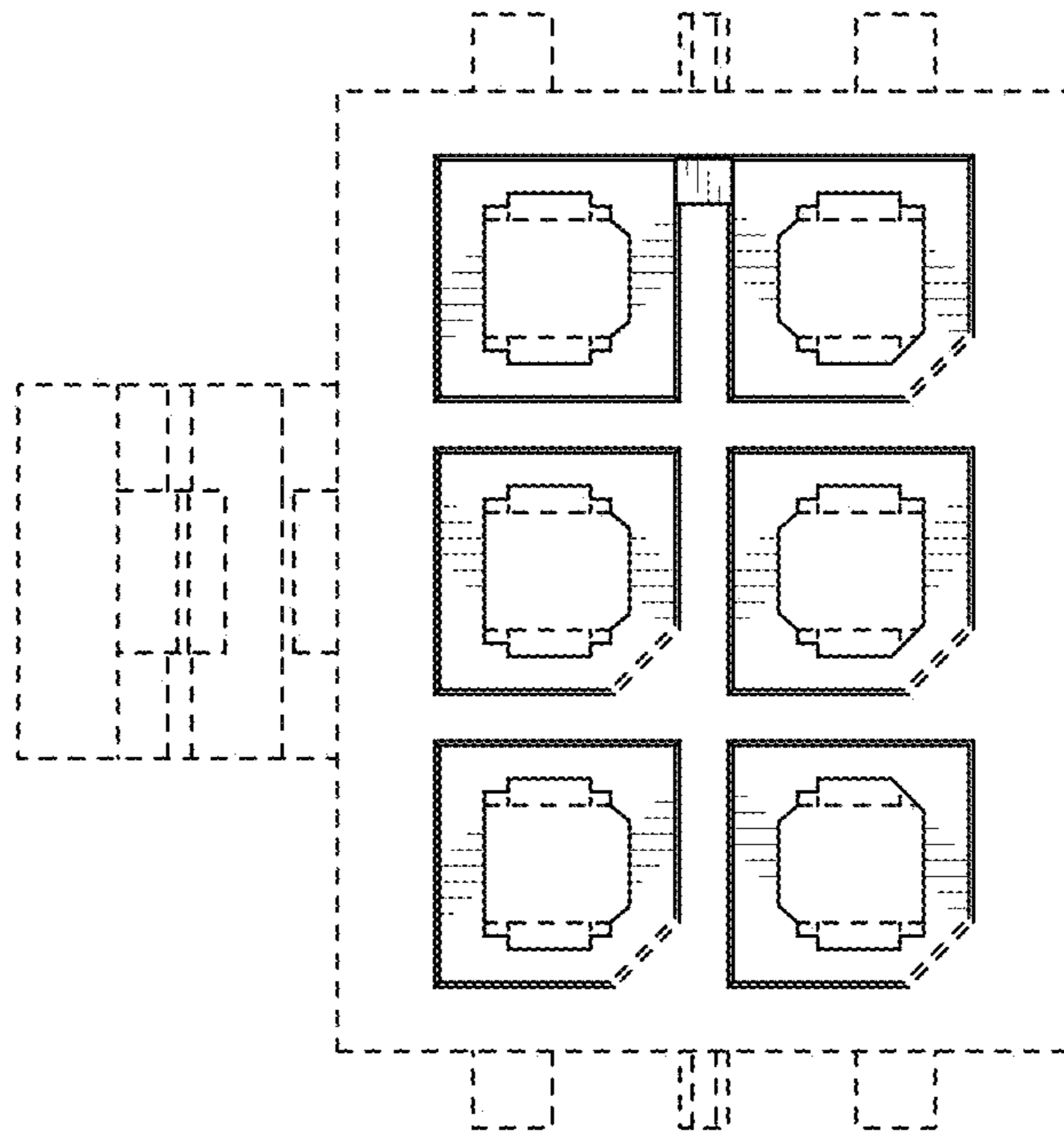


FIG. 28

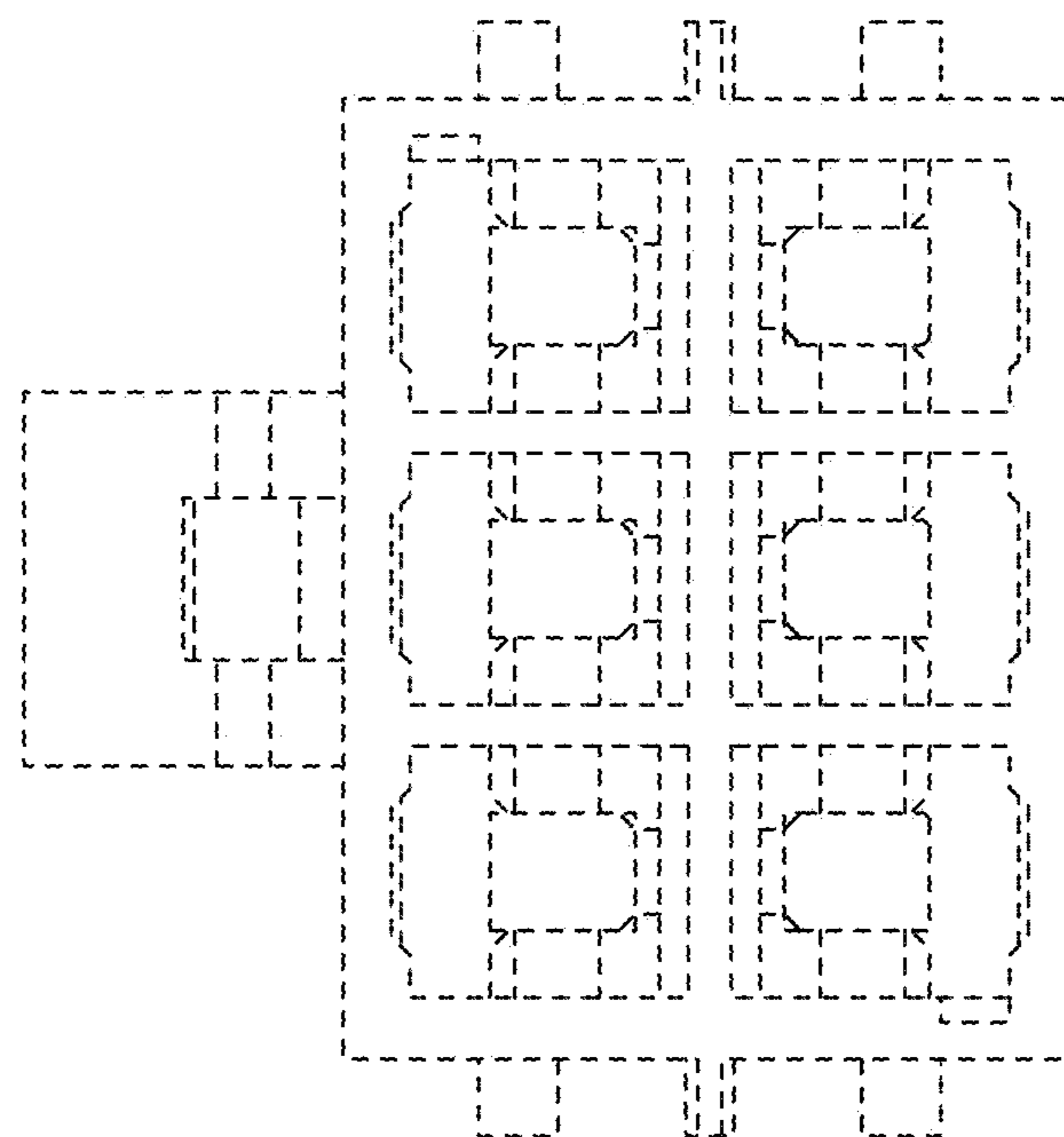


FIG. 27

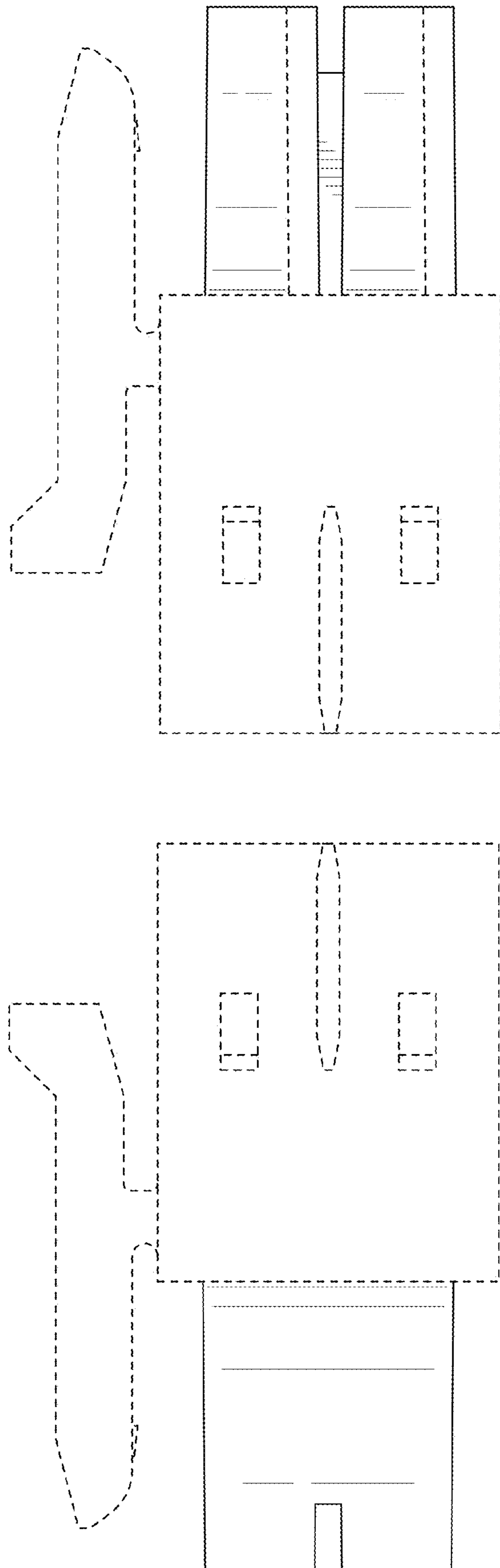


FIG. 30

FIG. 29



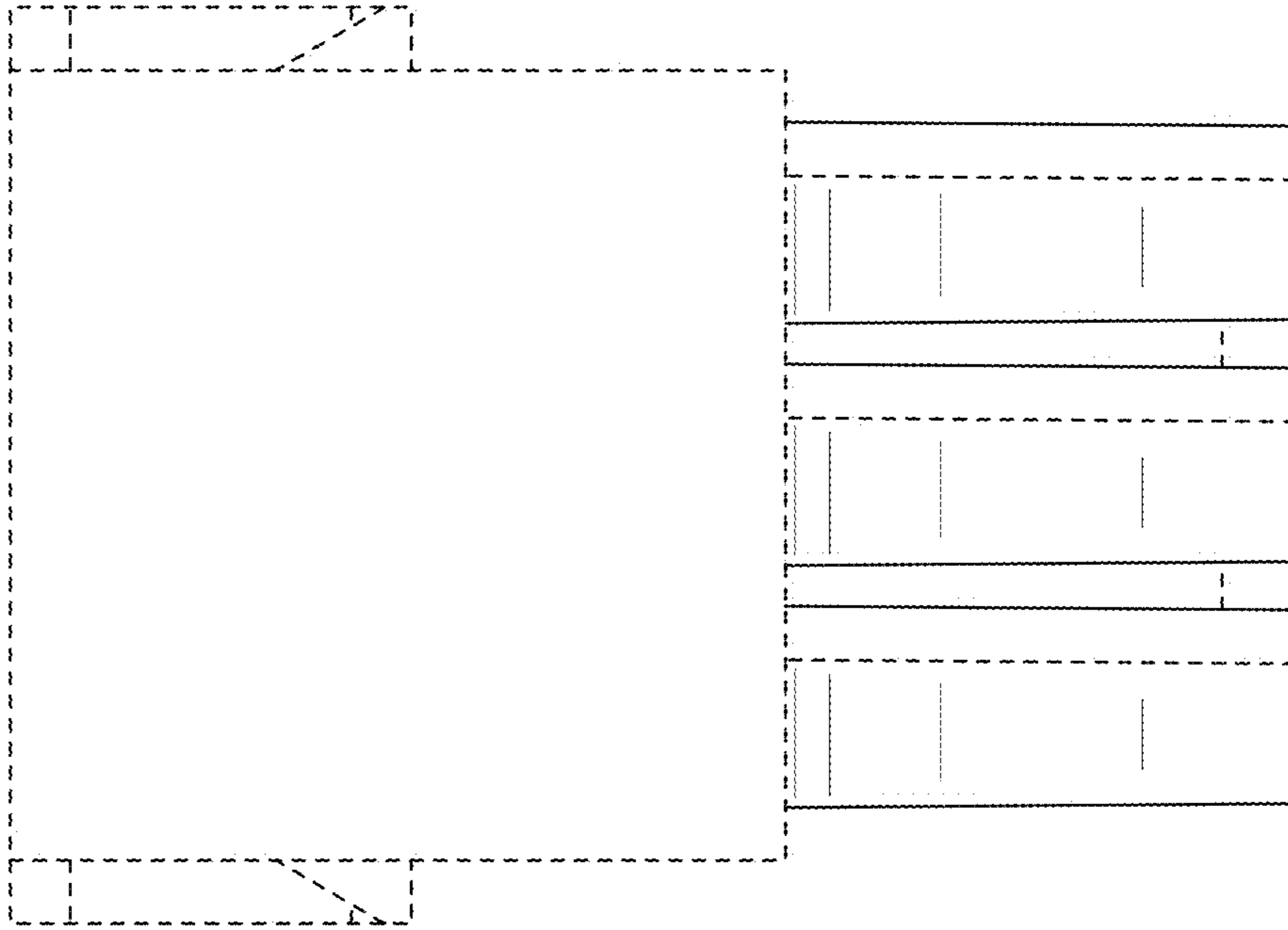


FIG. 32

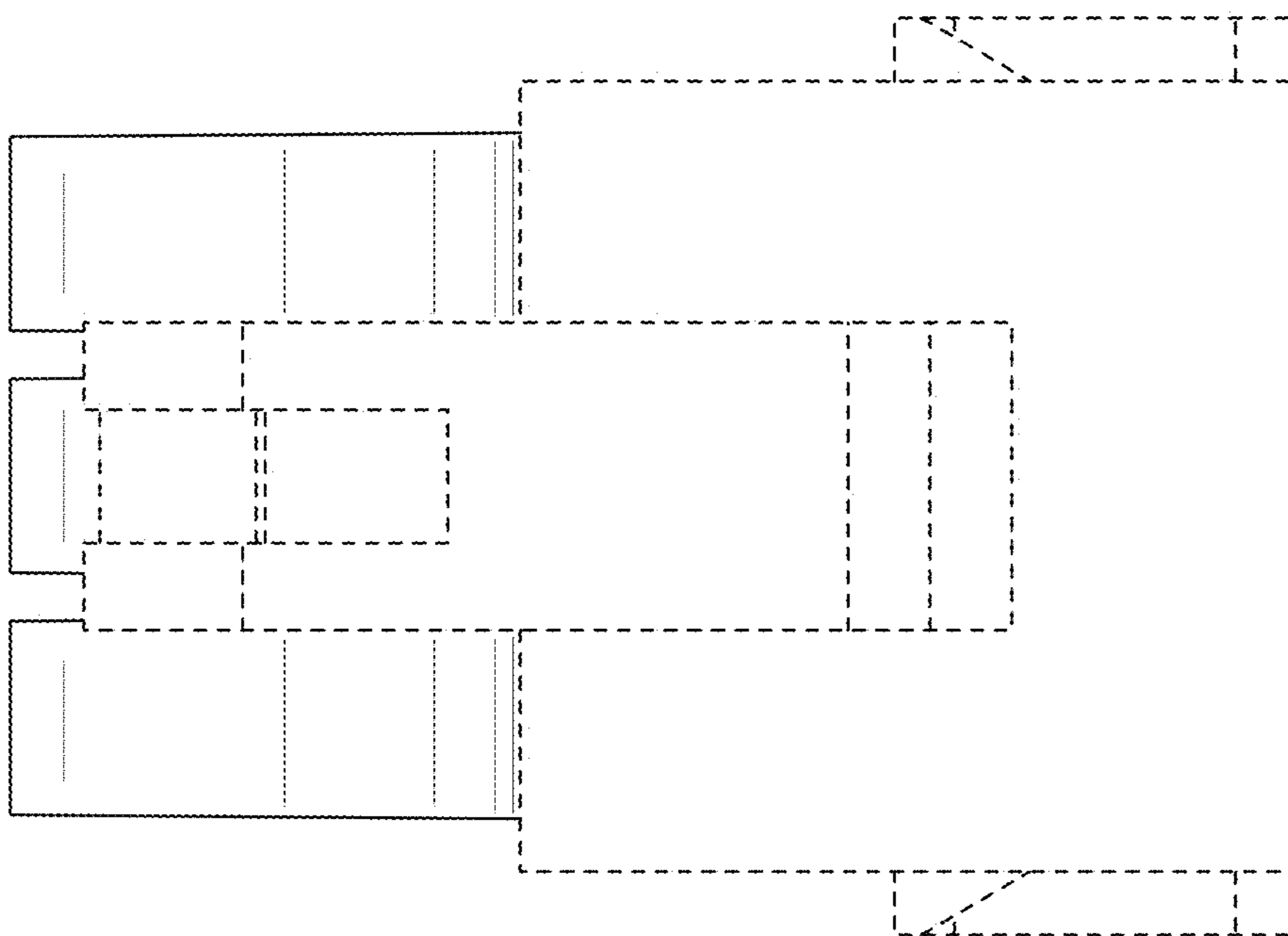


FIG. 31

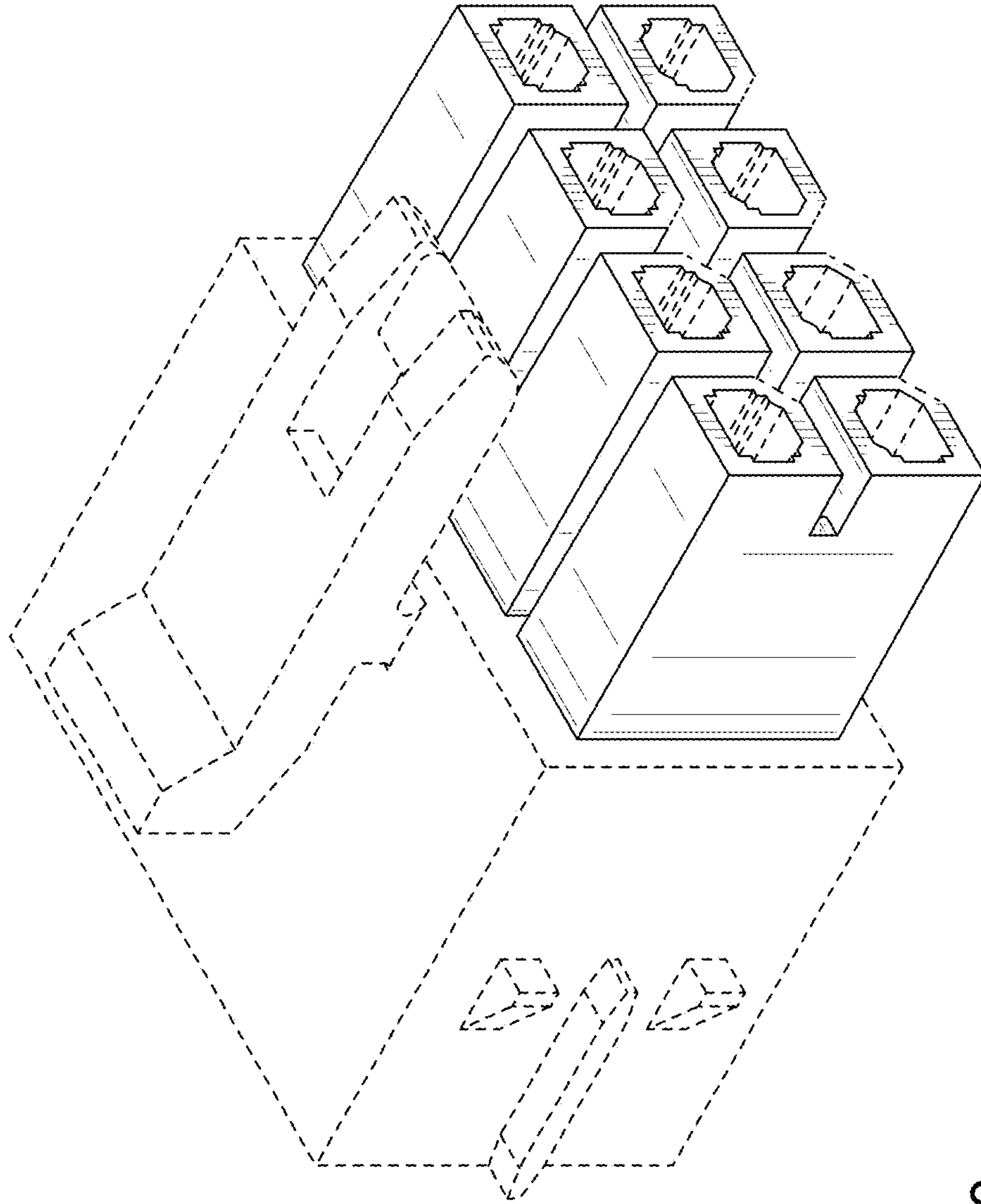


FIG. 33

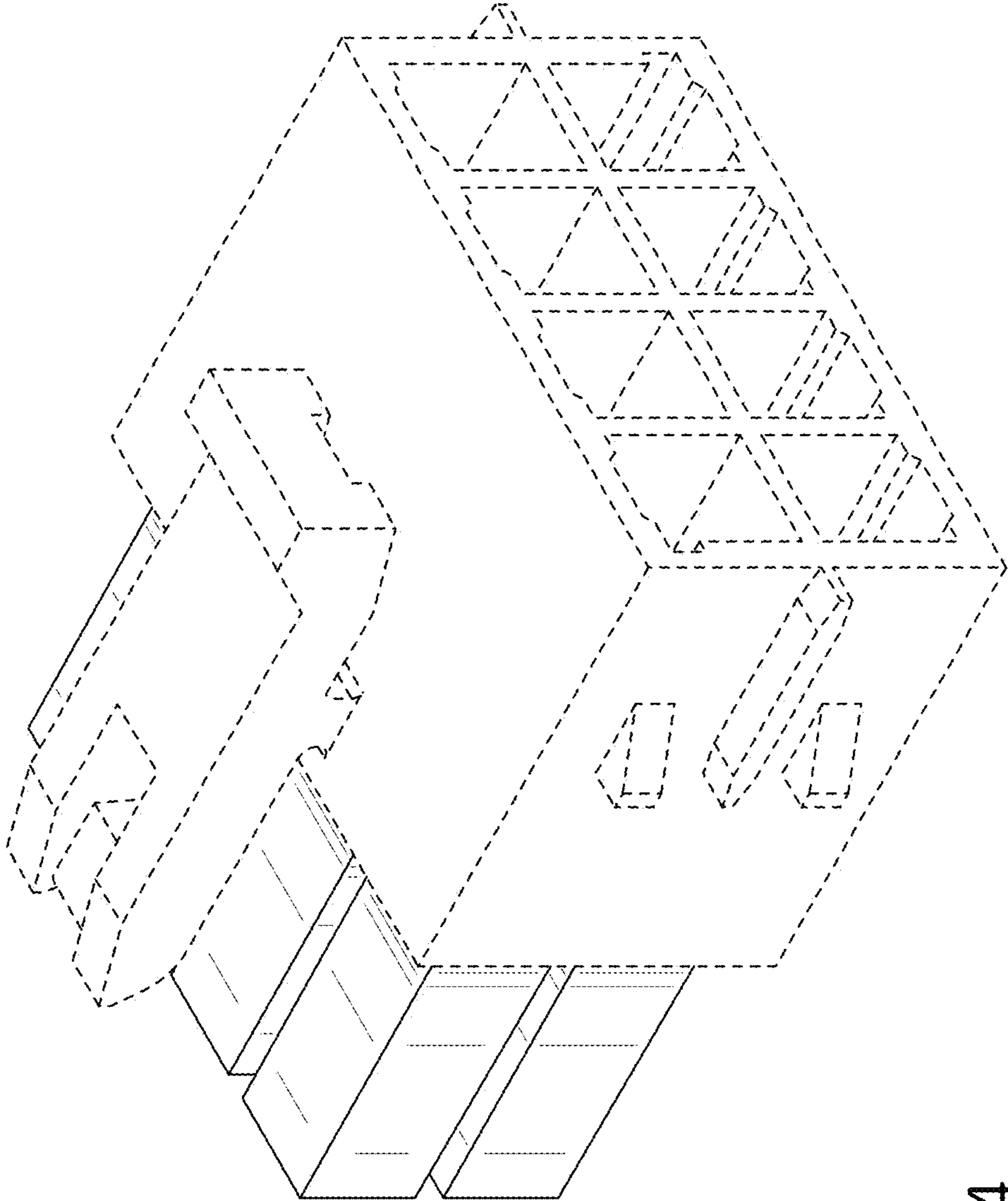


FIG. 34

FIG. 35

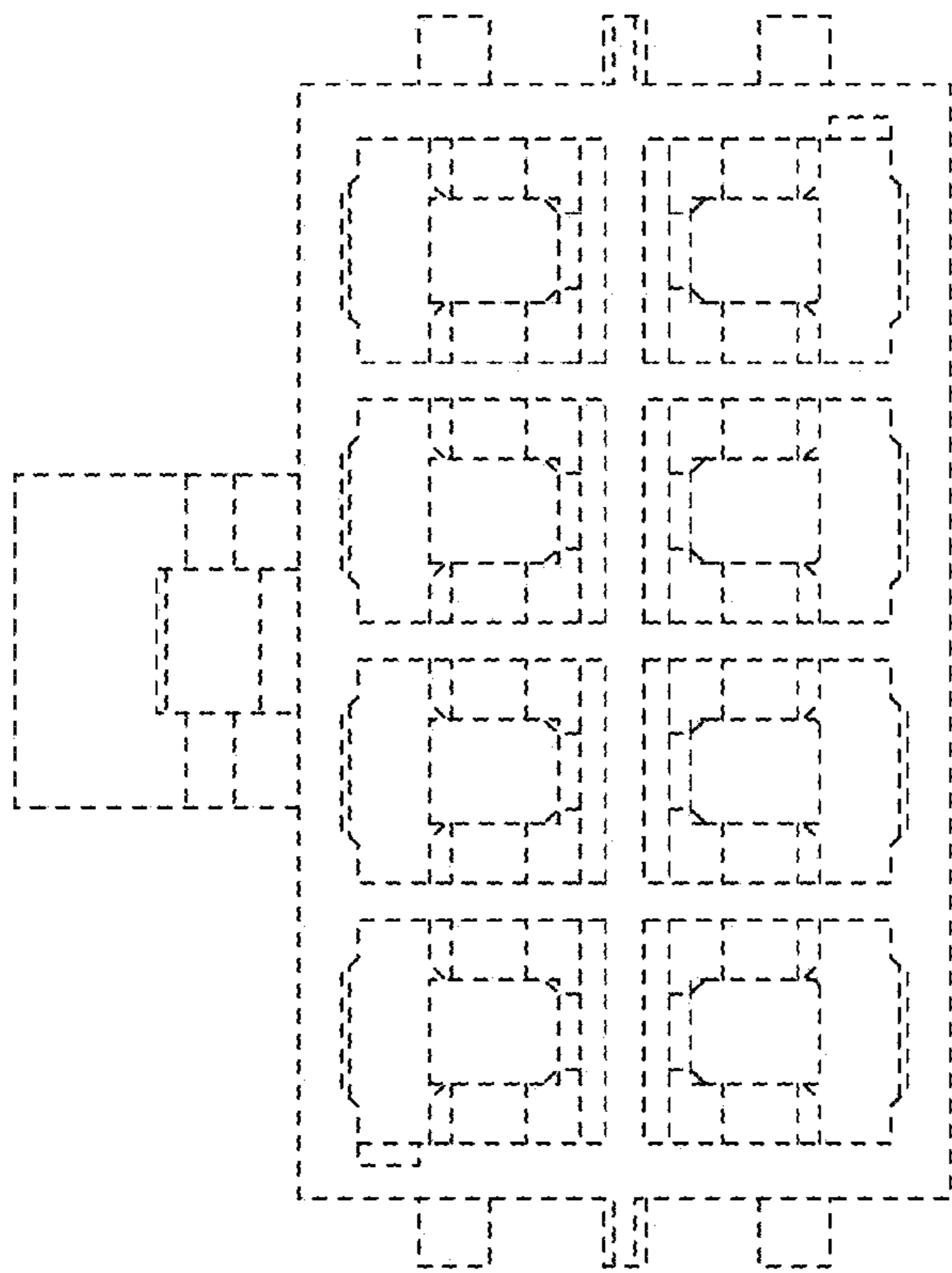
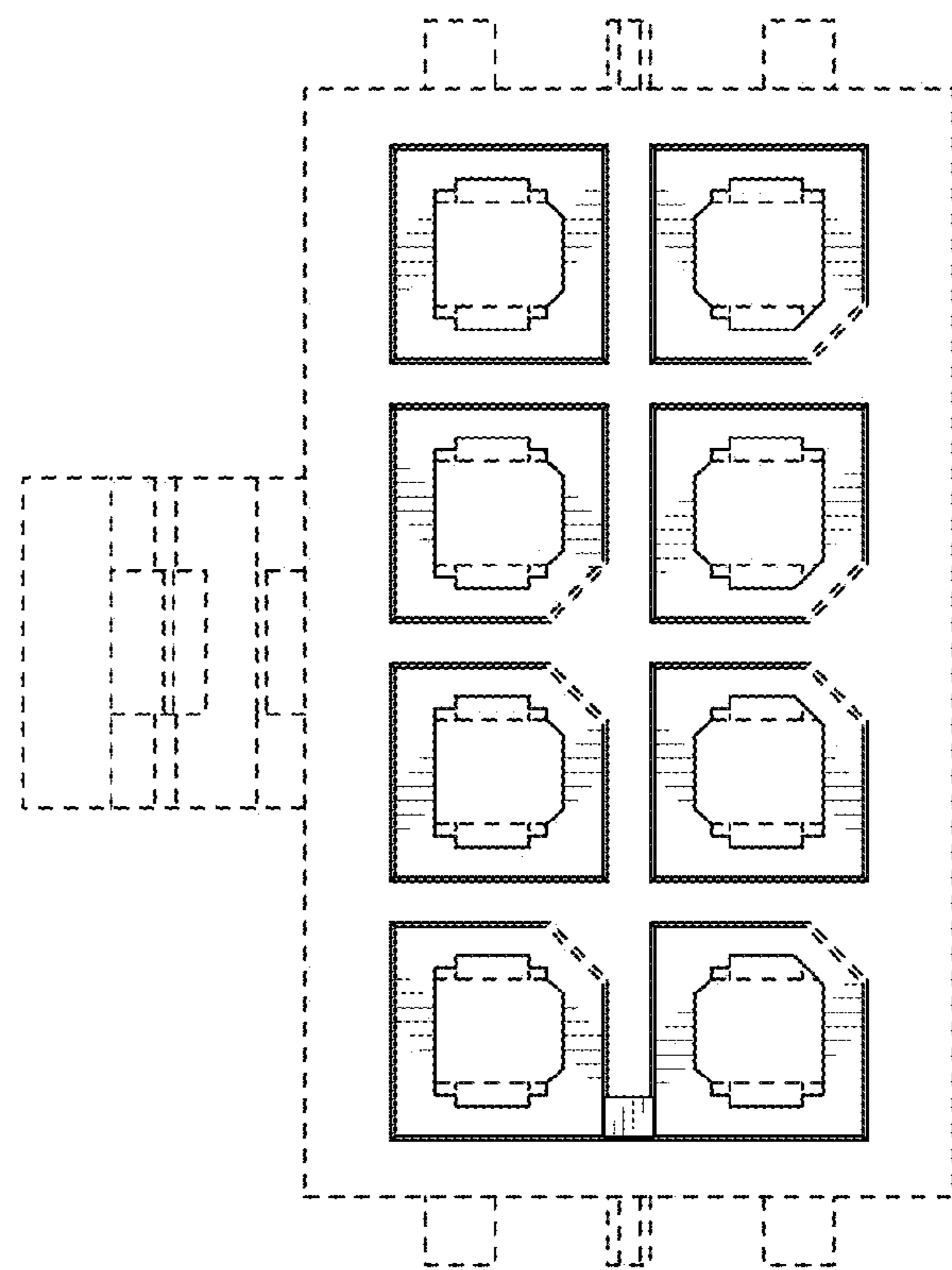


FIG. 36



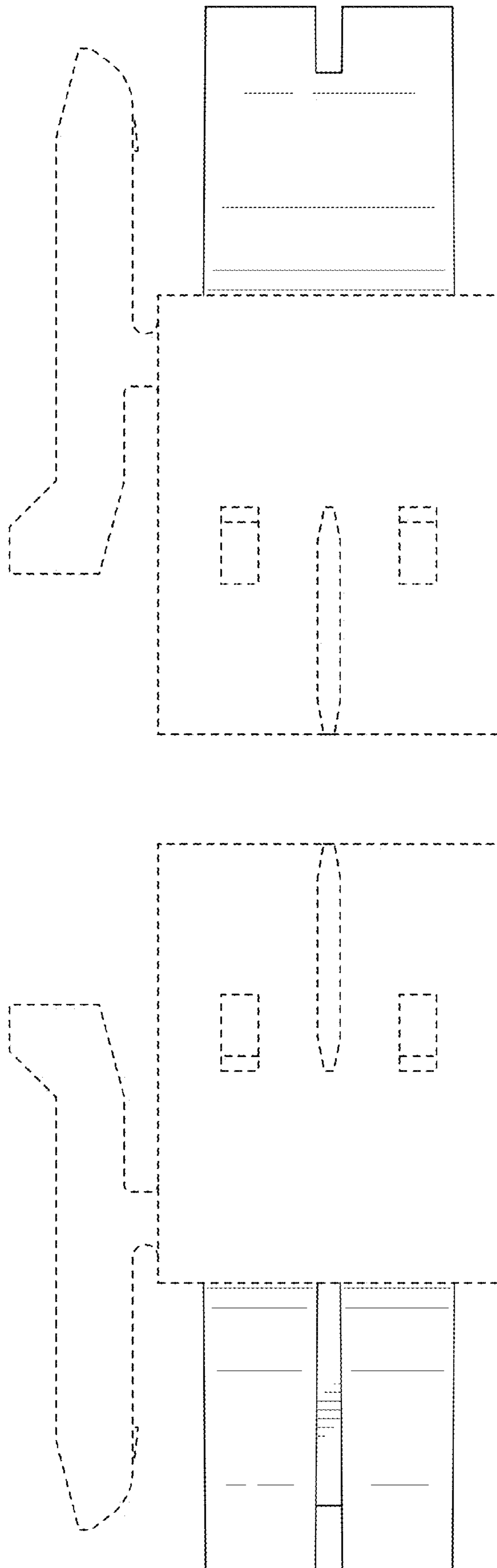


FIG. 38

FIG. 37

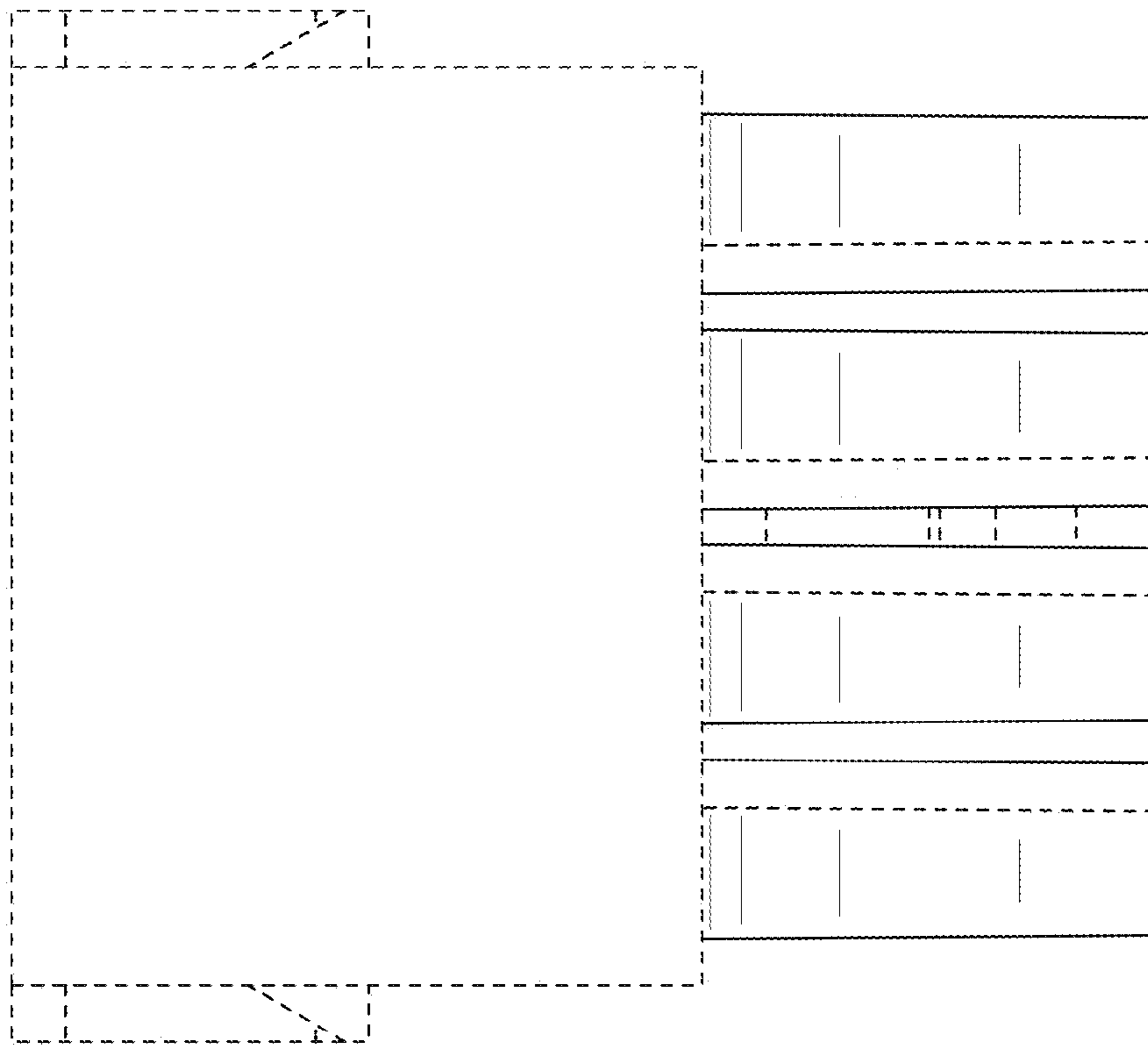


FIG. 40

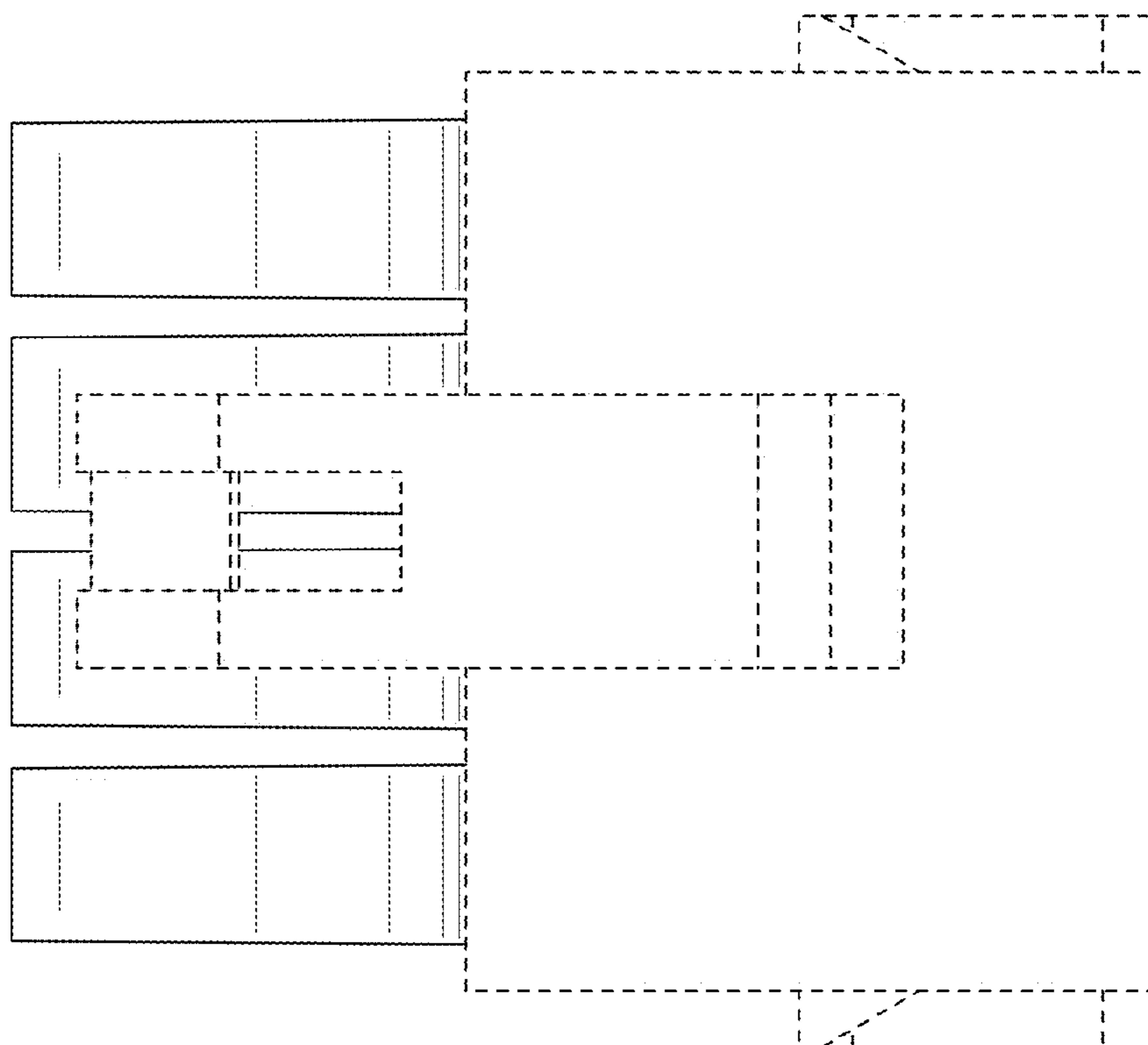


FIG. 39

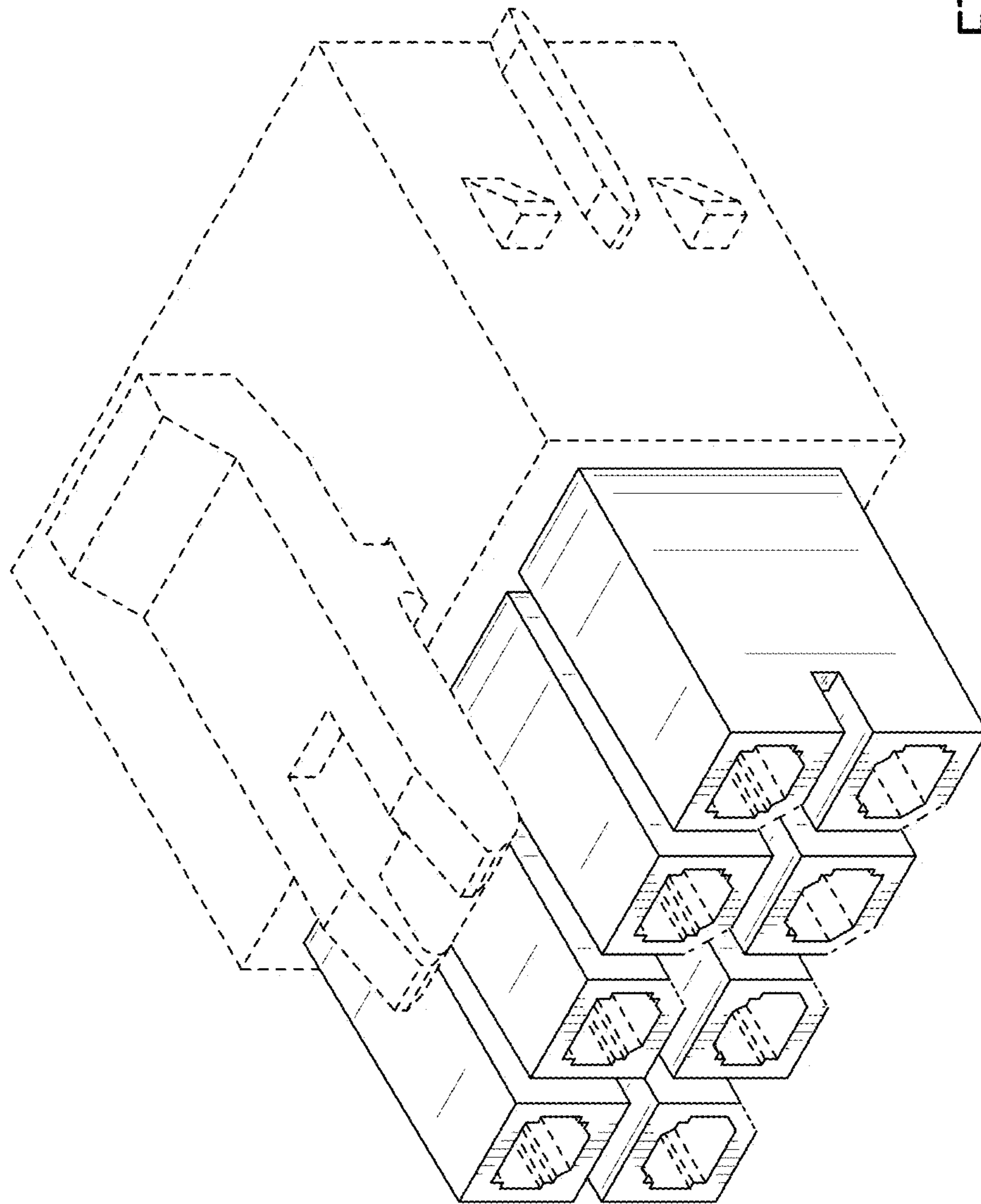


FIG. 41

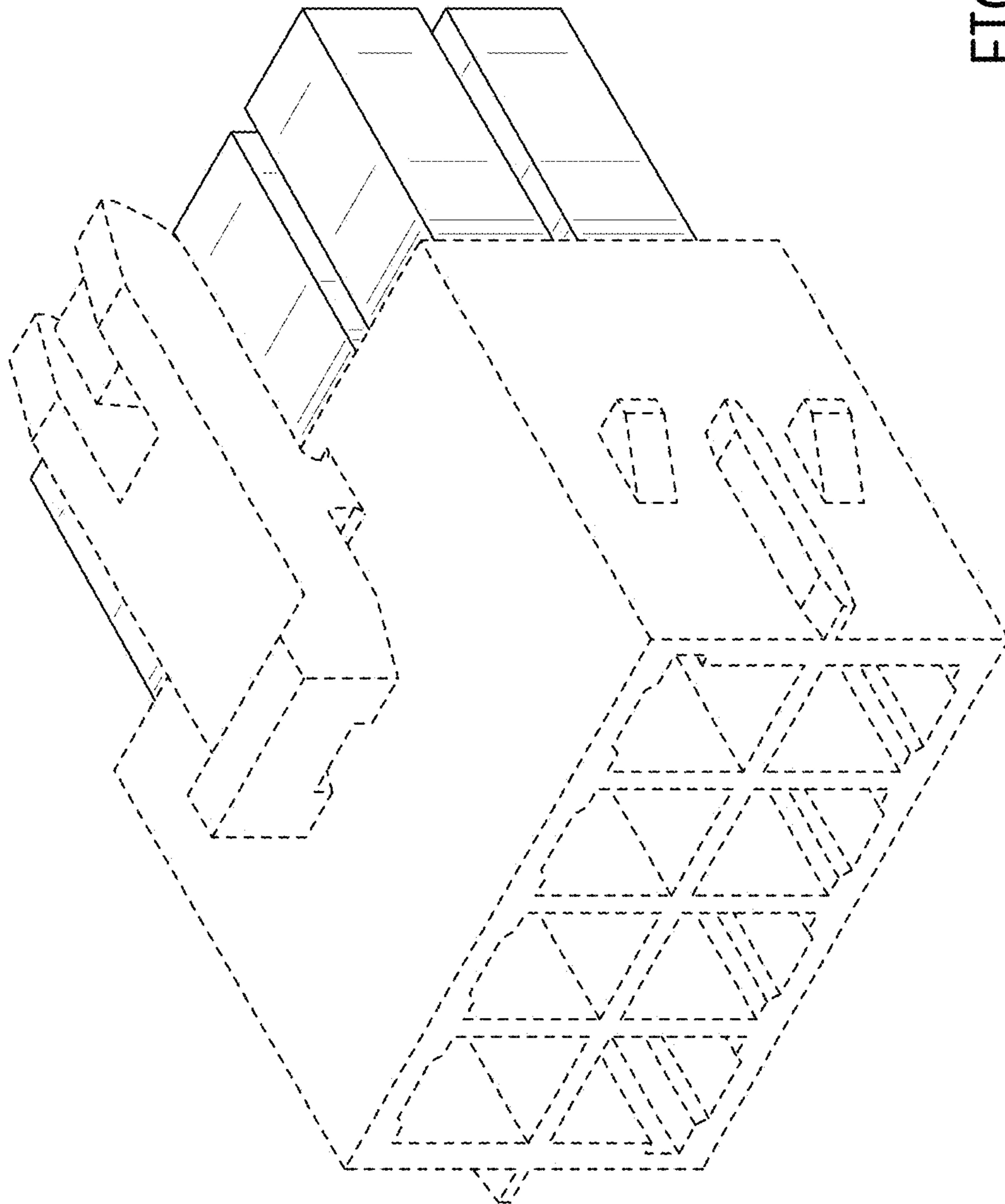


FIG. 42



FIG. 43

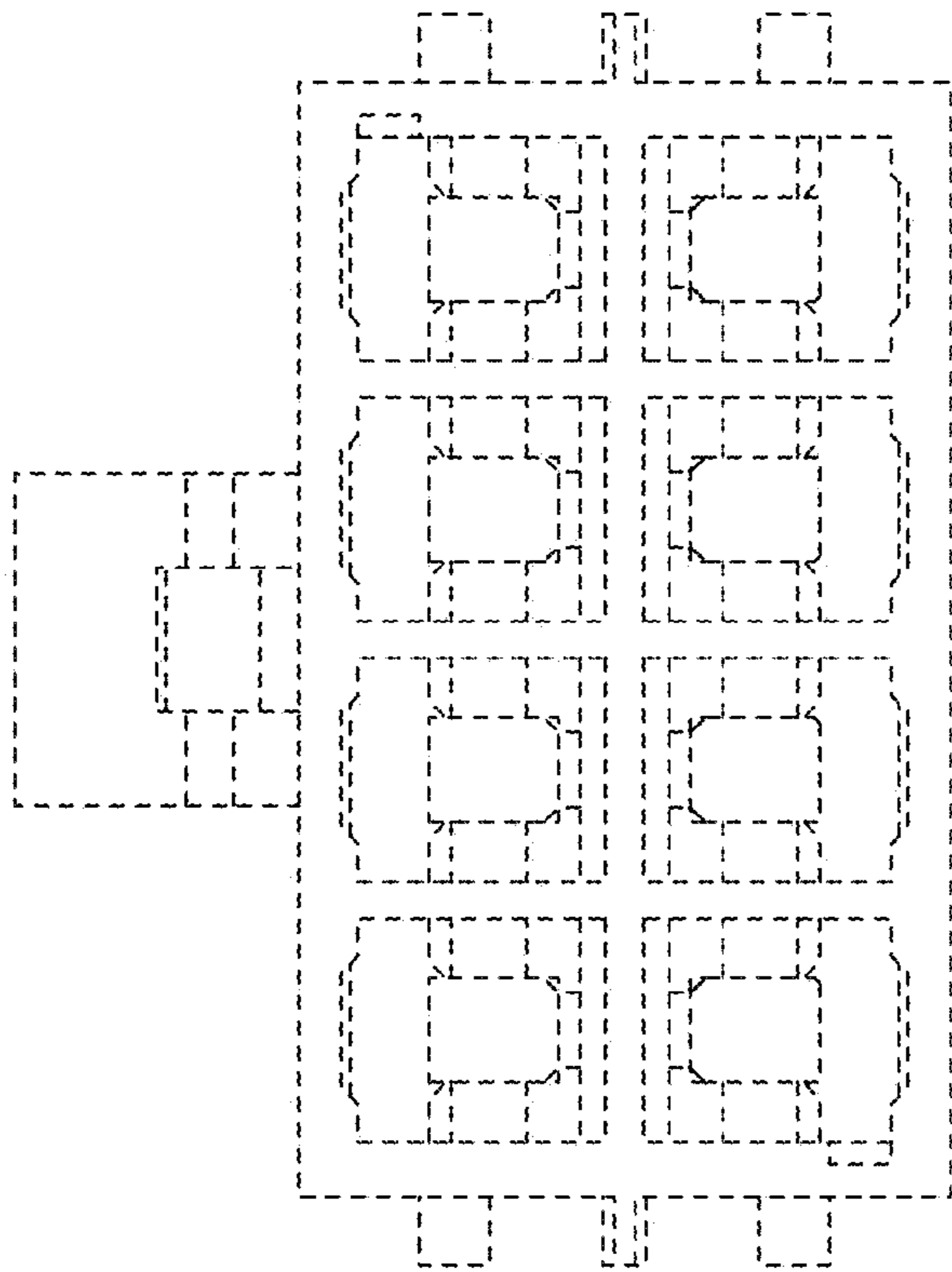
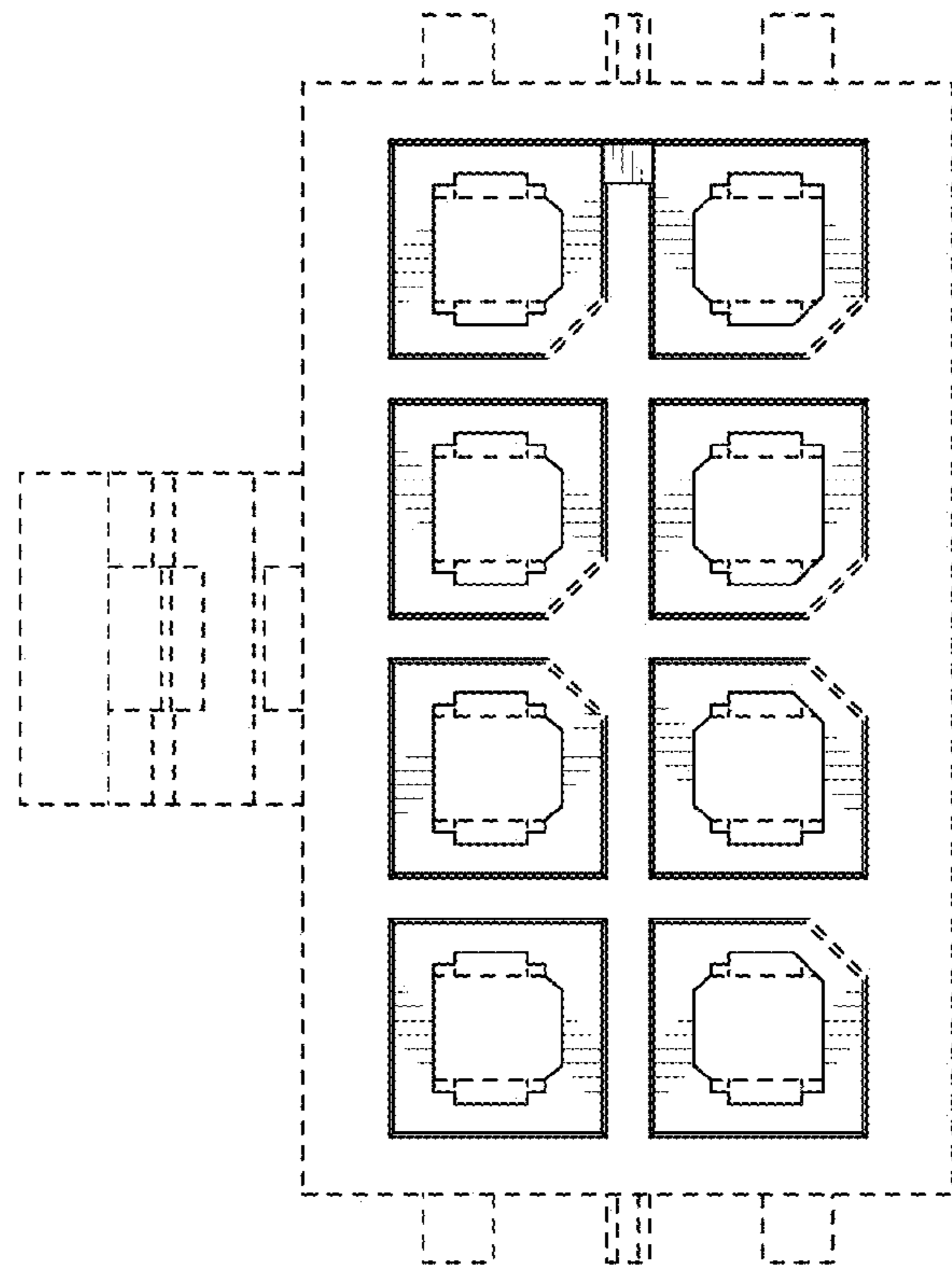


FIG. 44



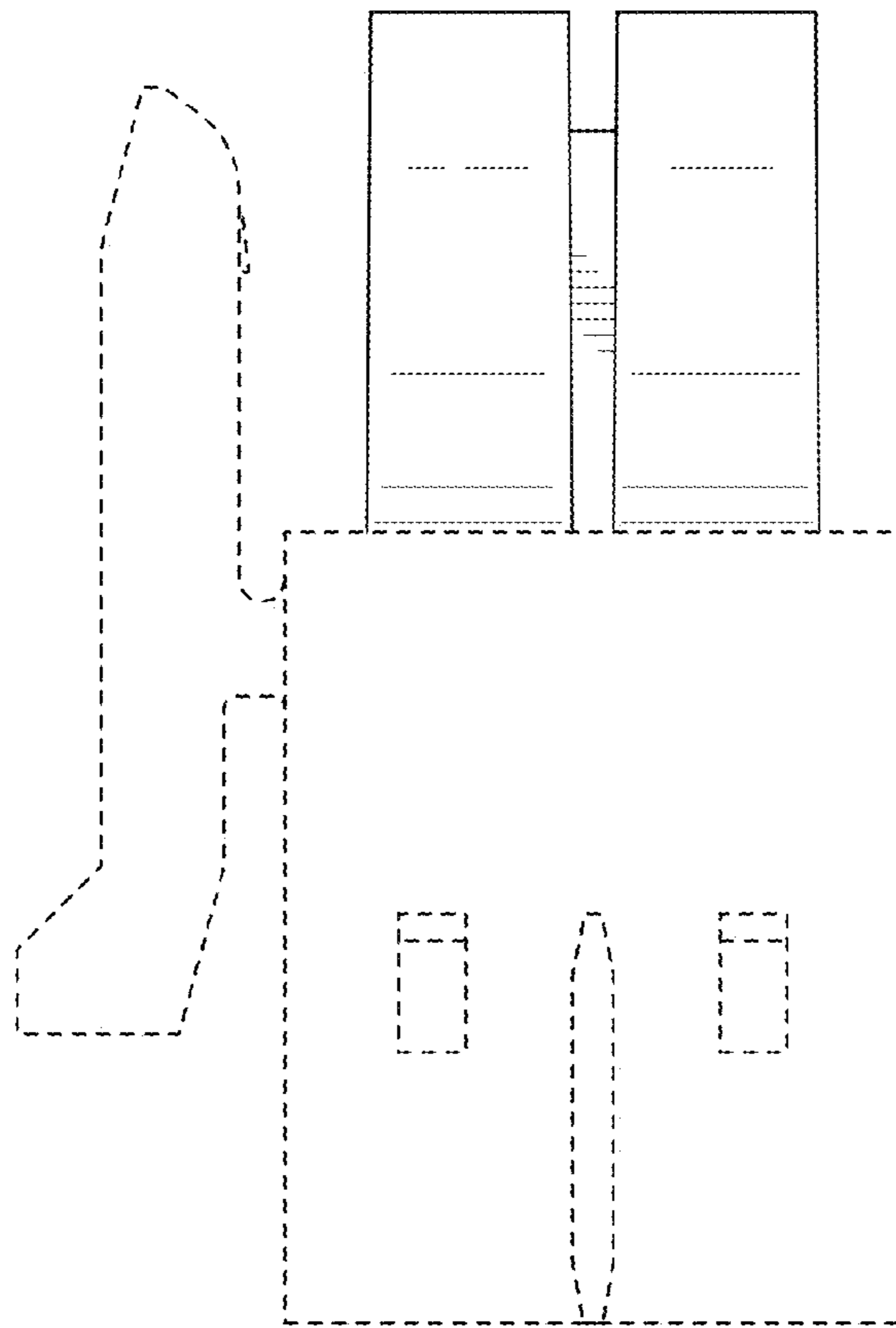


FIG. 45

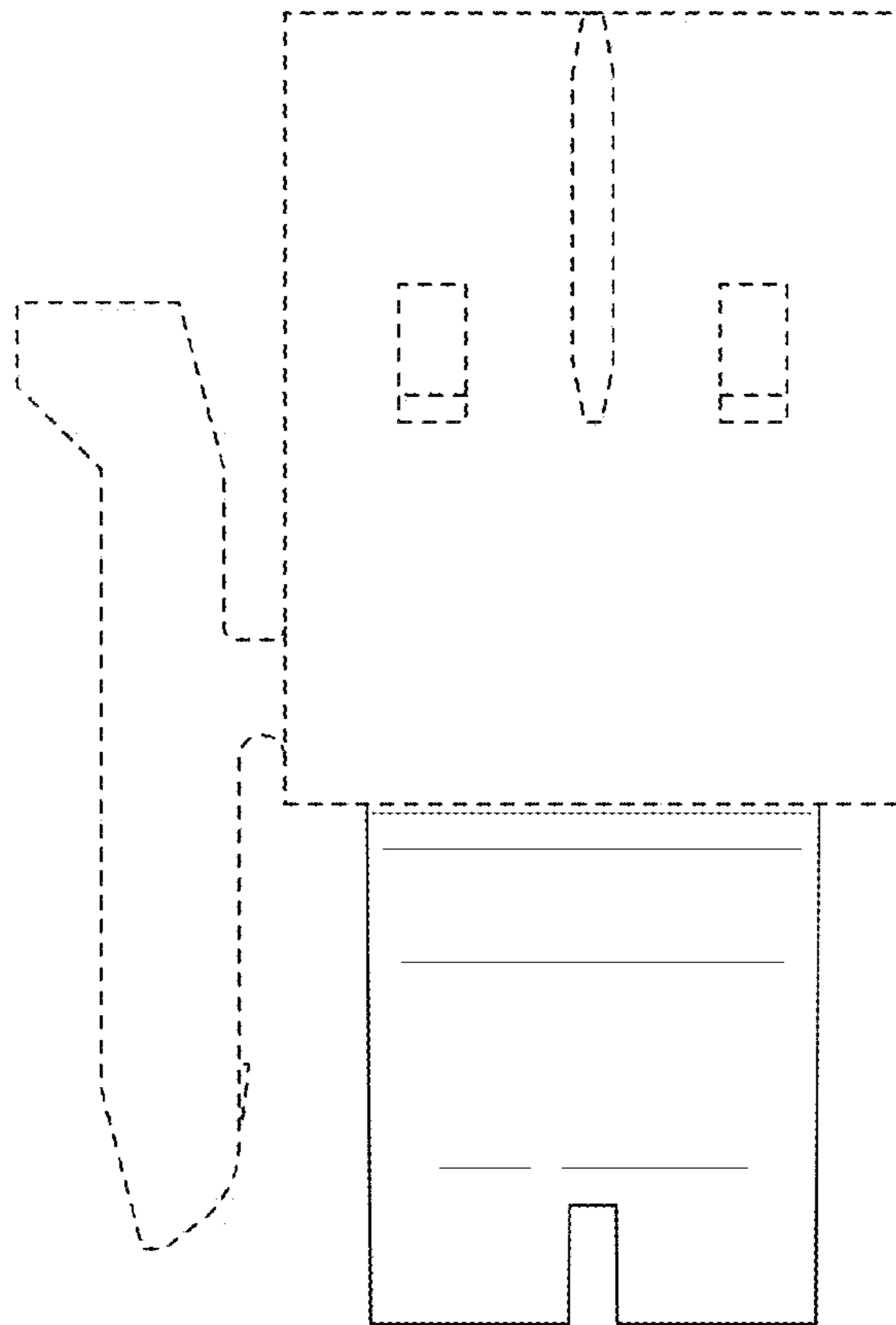


FIG. 46

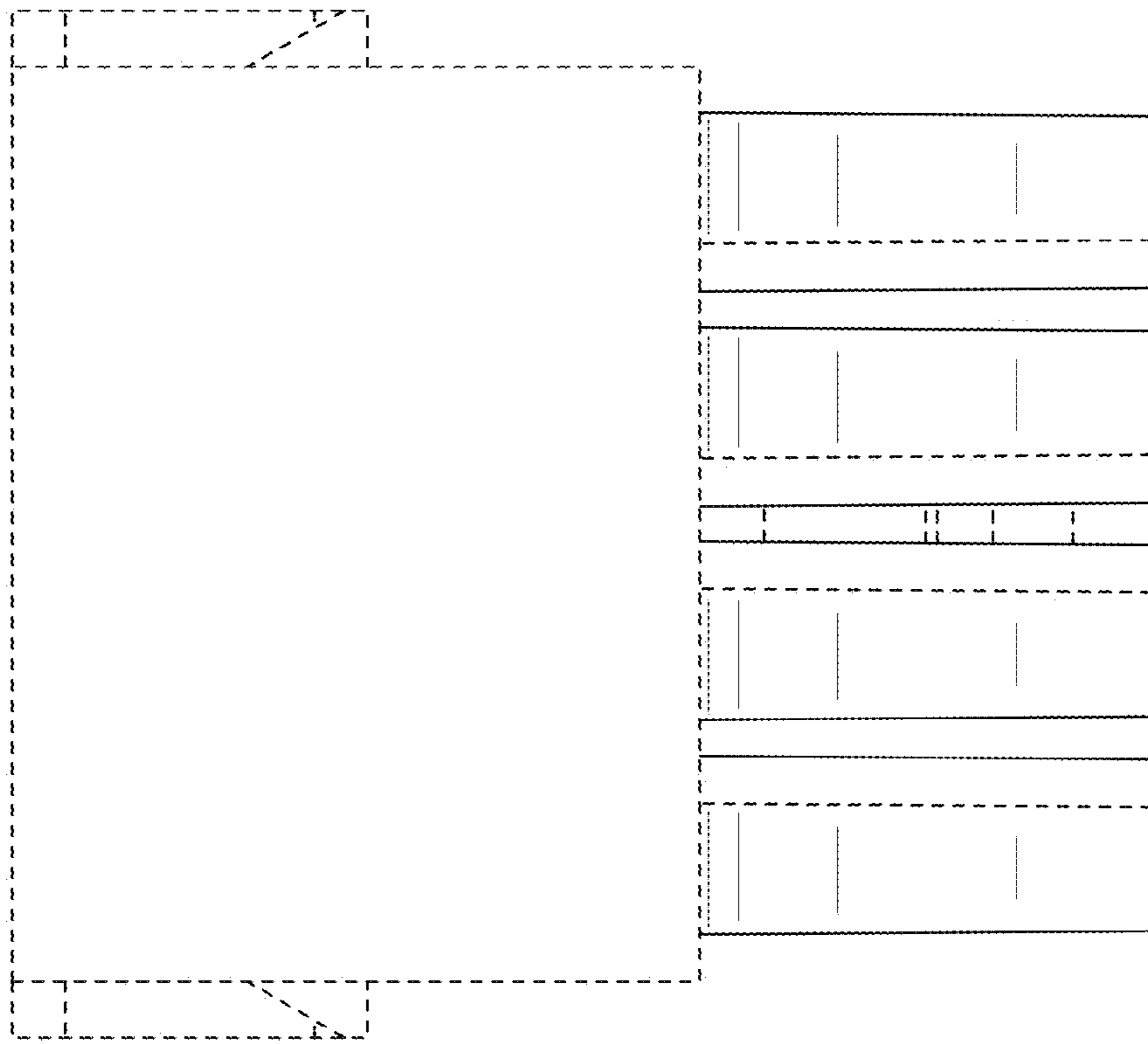


FIG. 48

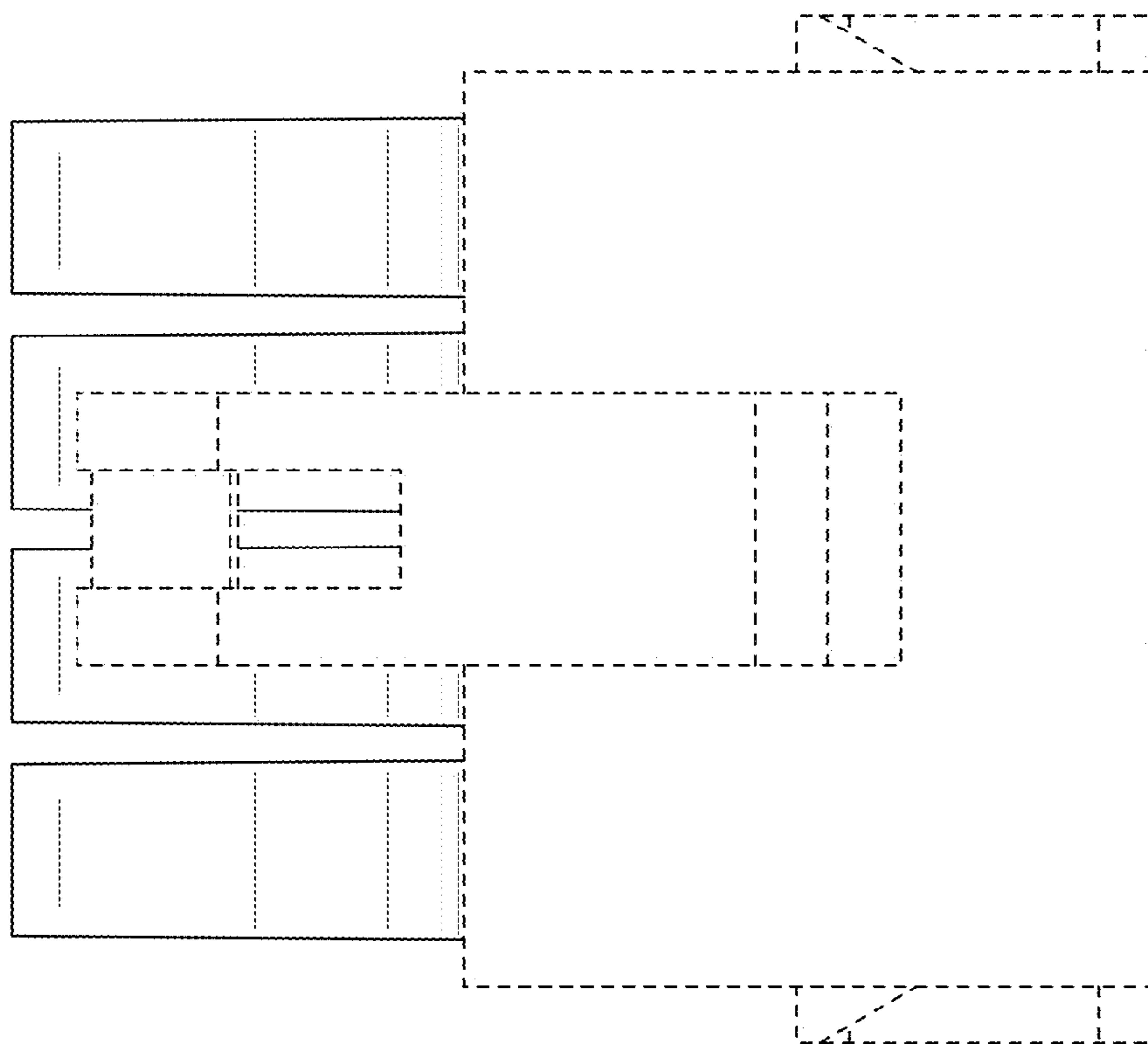


FIG. 47

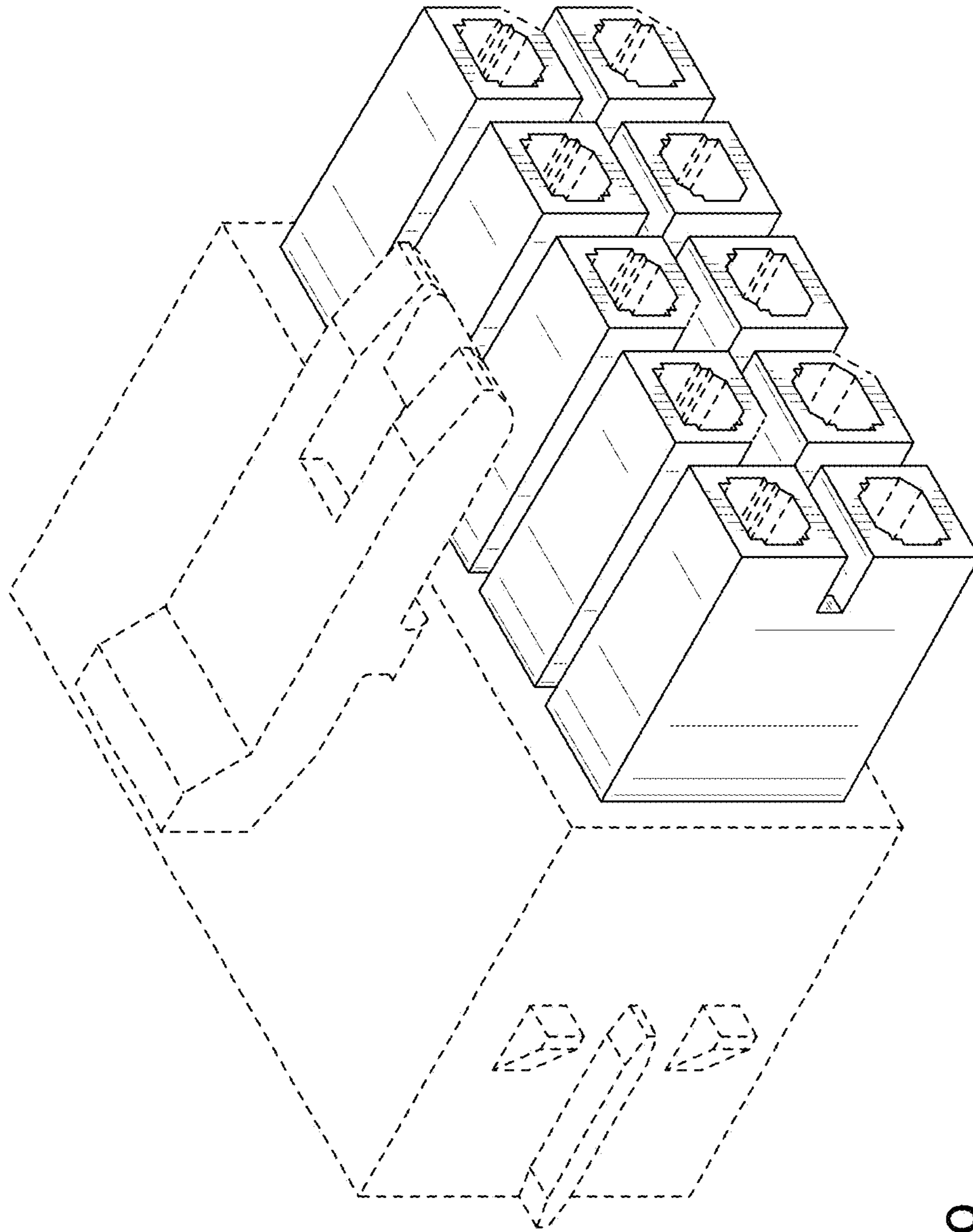


FIG. 49

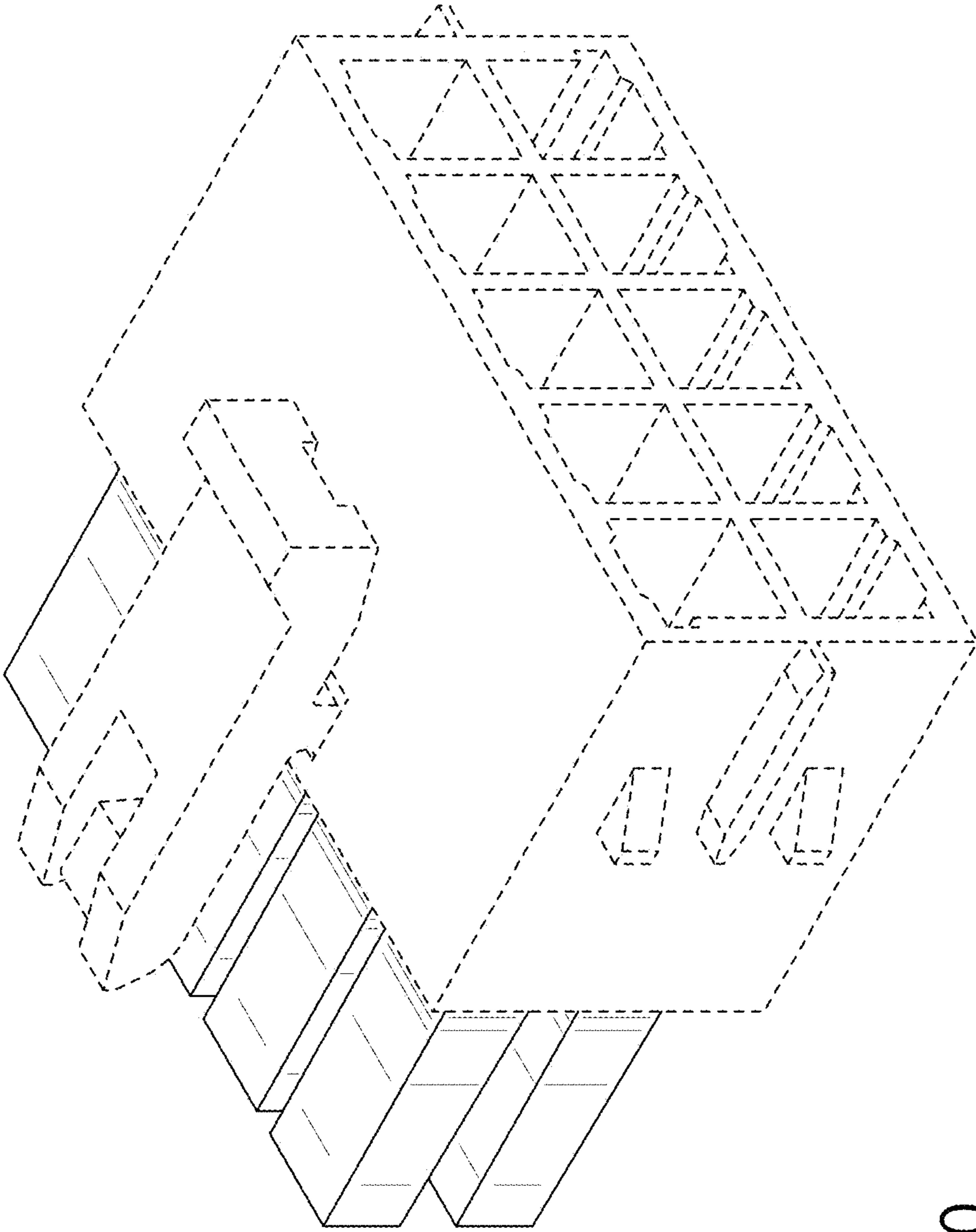


FIG. 50

FIG. 51

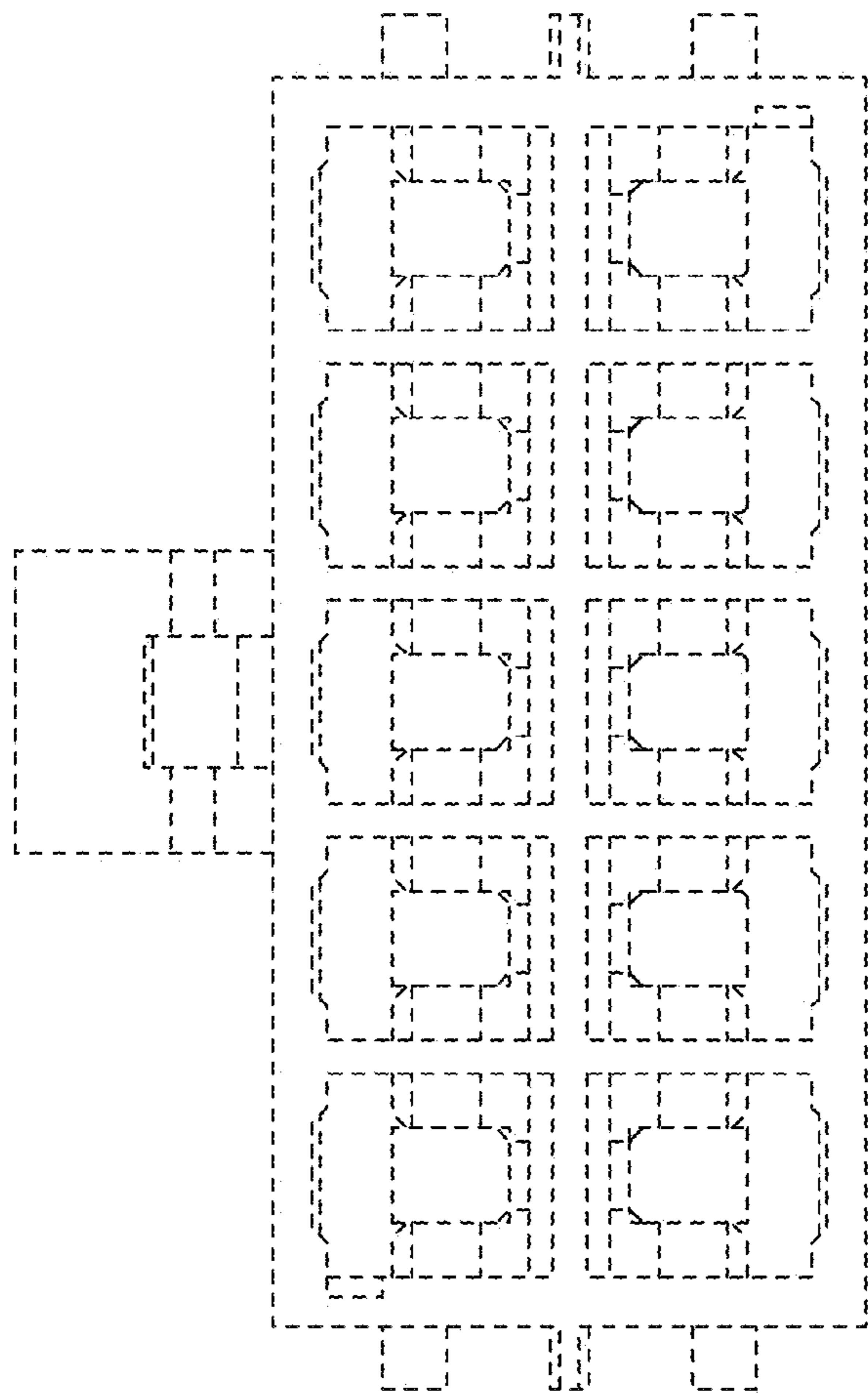
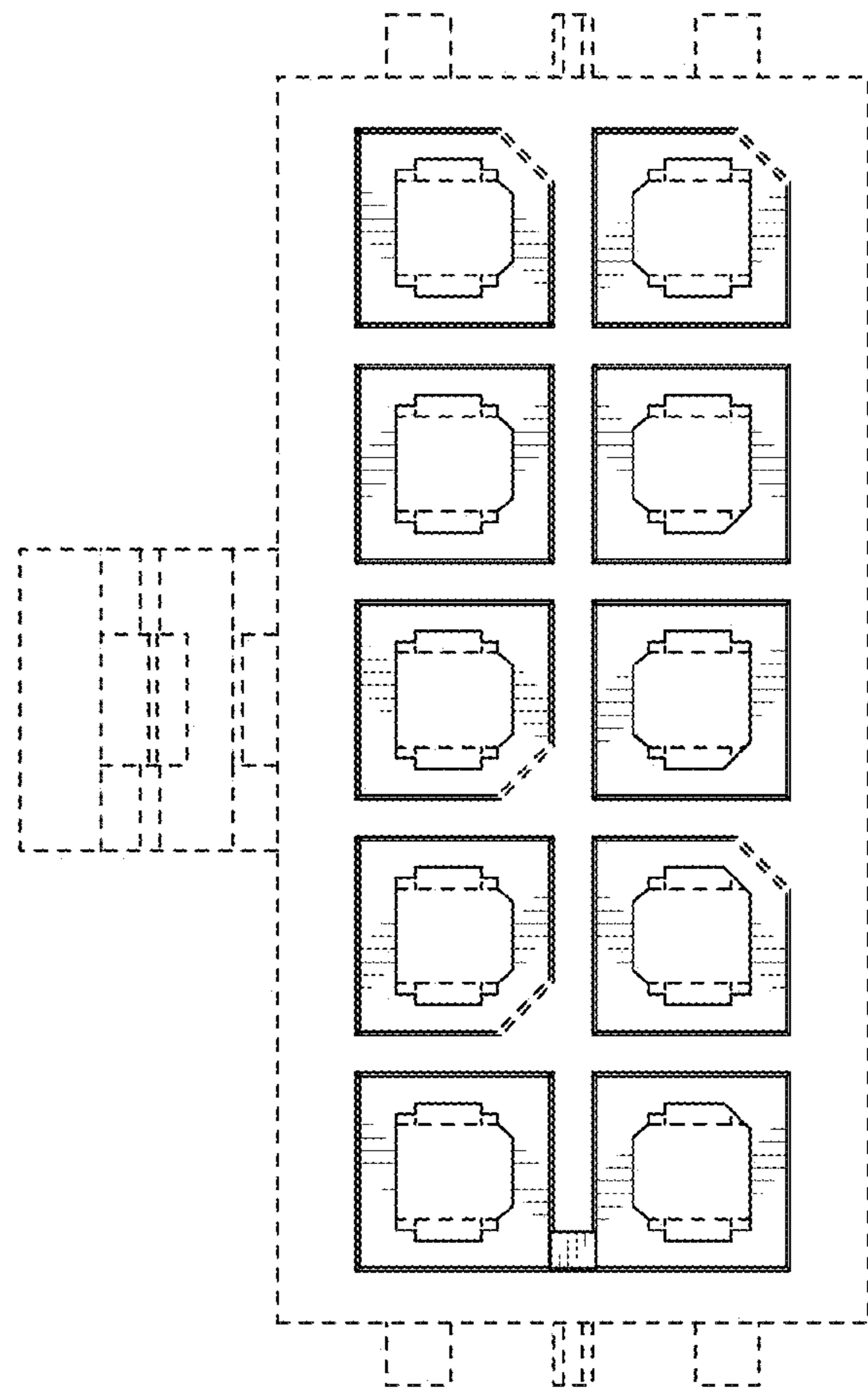


FIG. 52



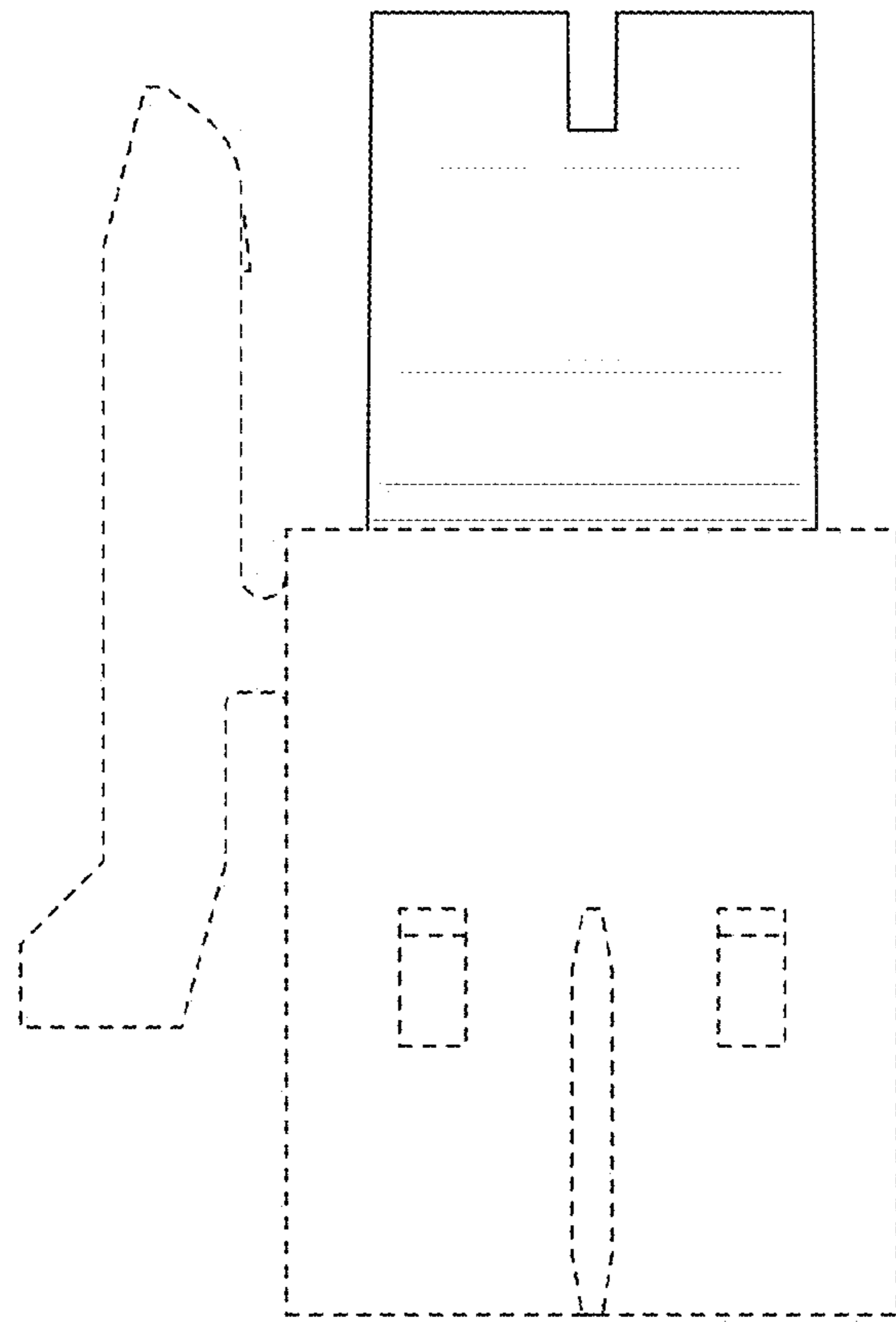


FIG. 54

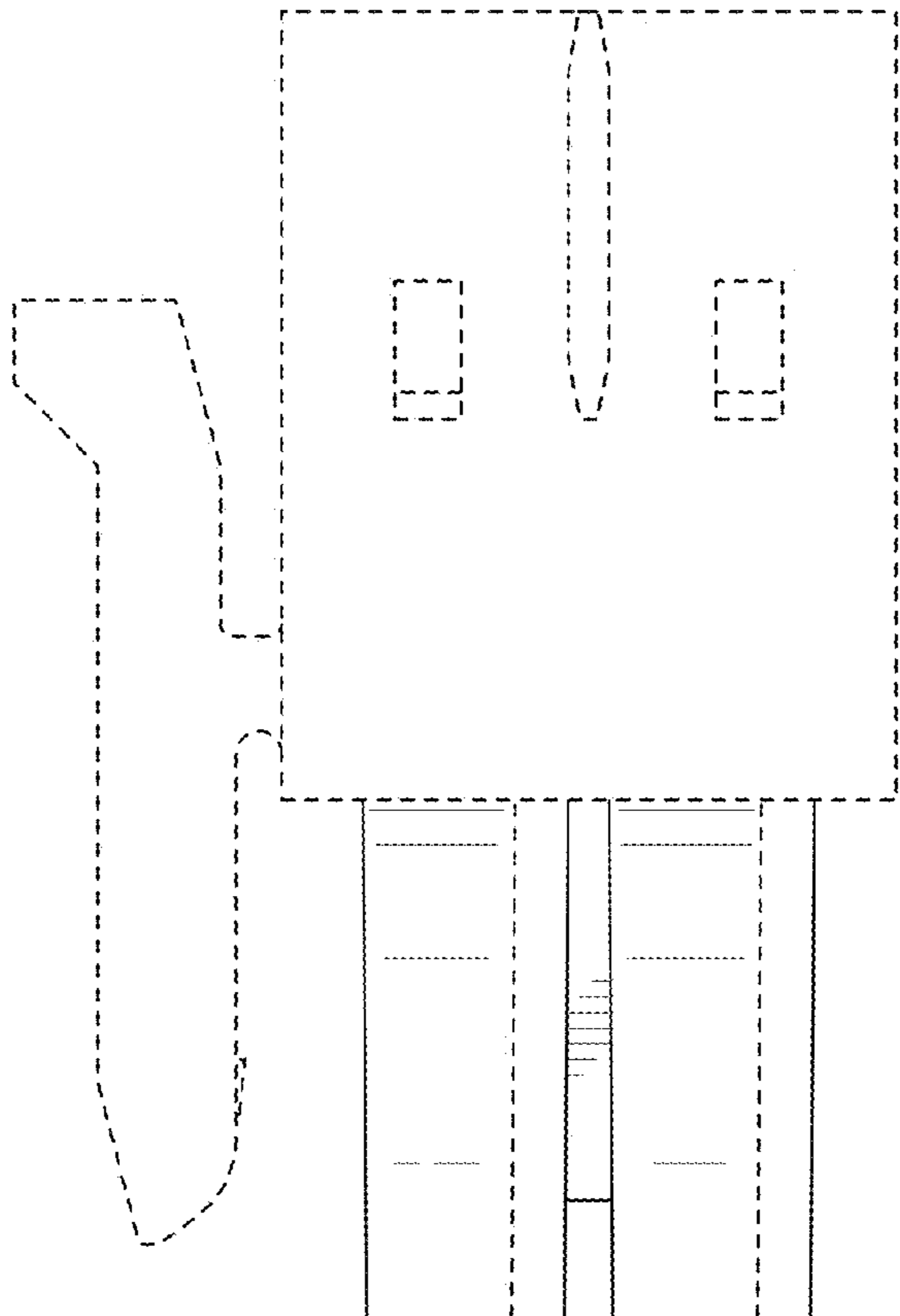


FIG. 53

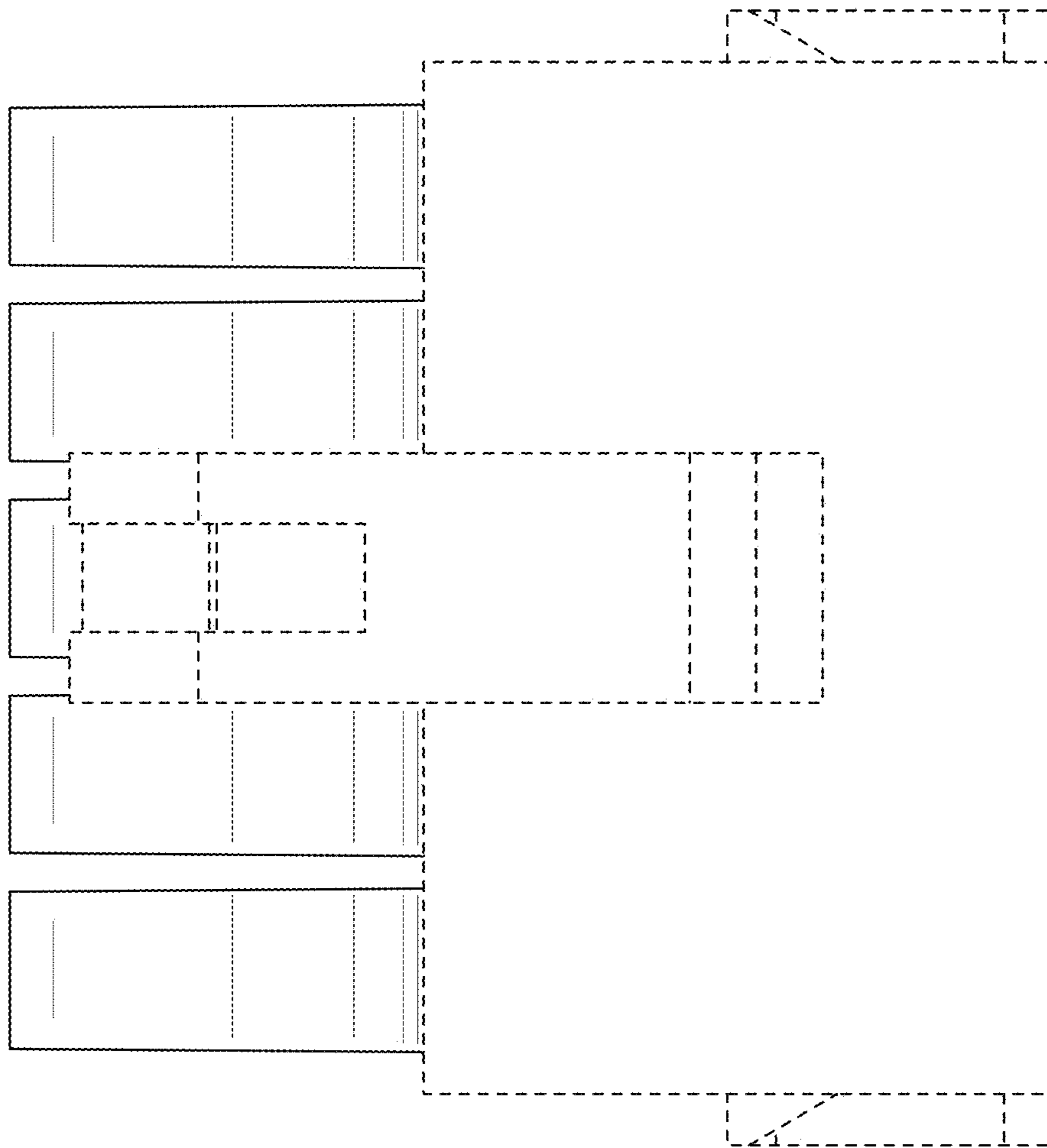


FIG. 55



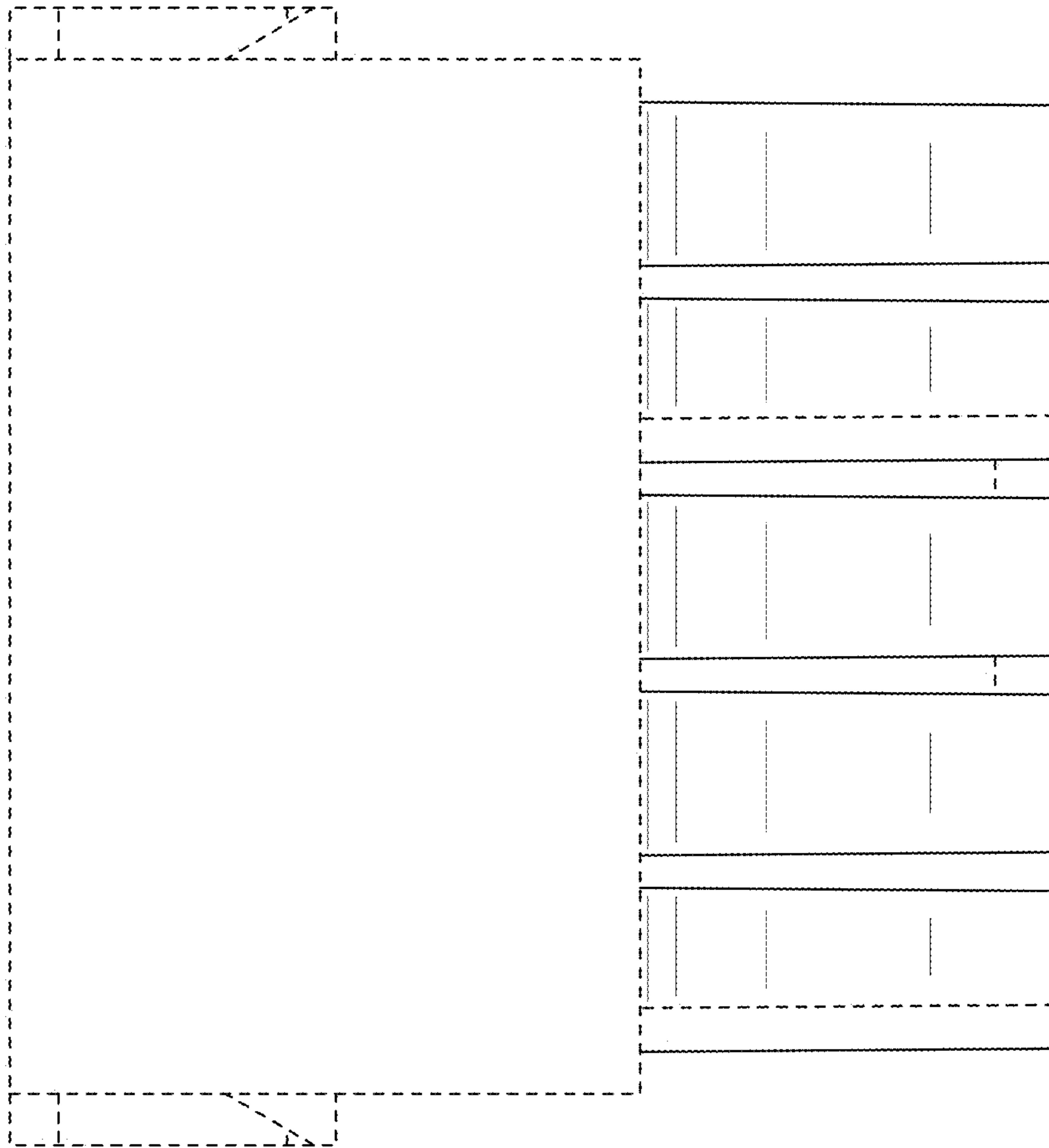


FIG. 56

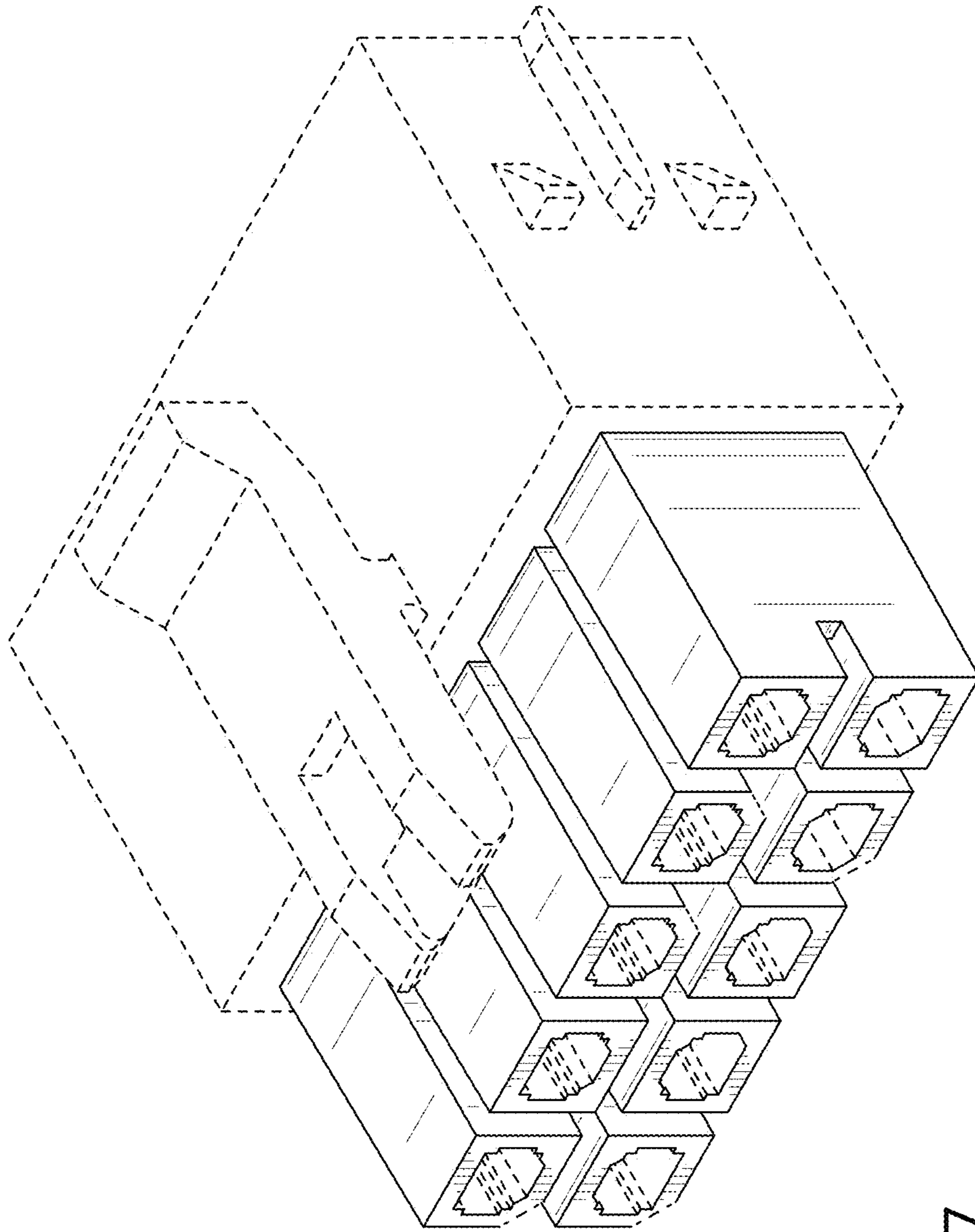


FIG. 57

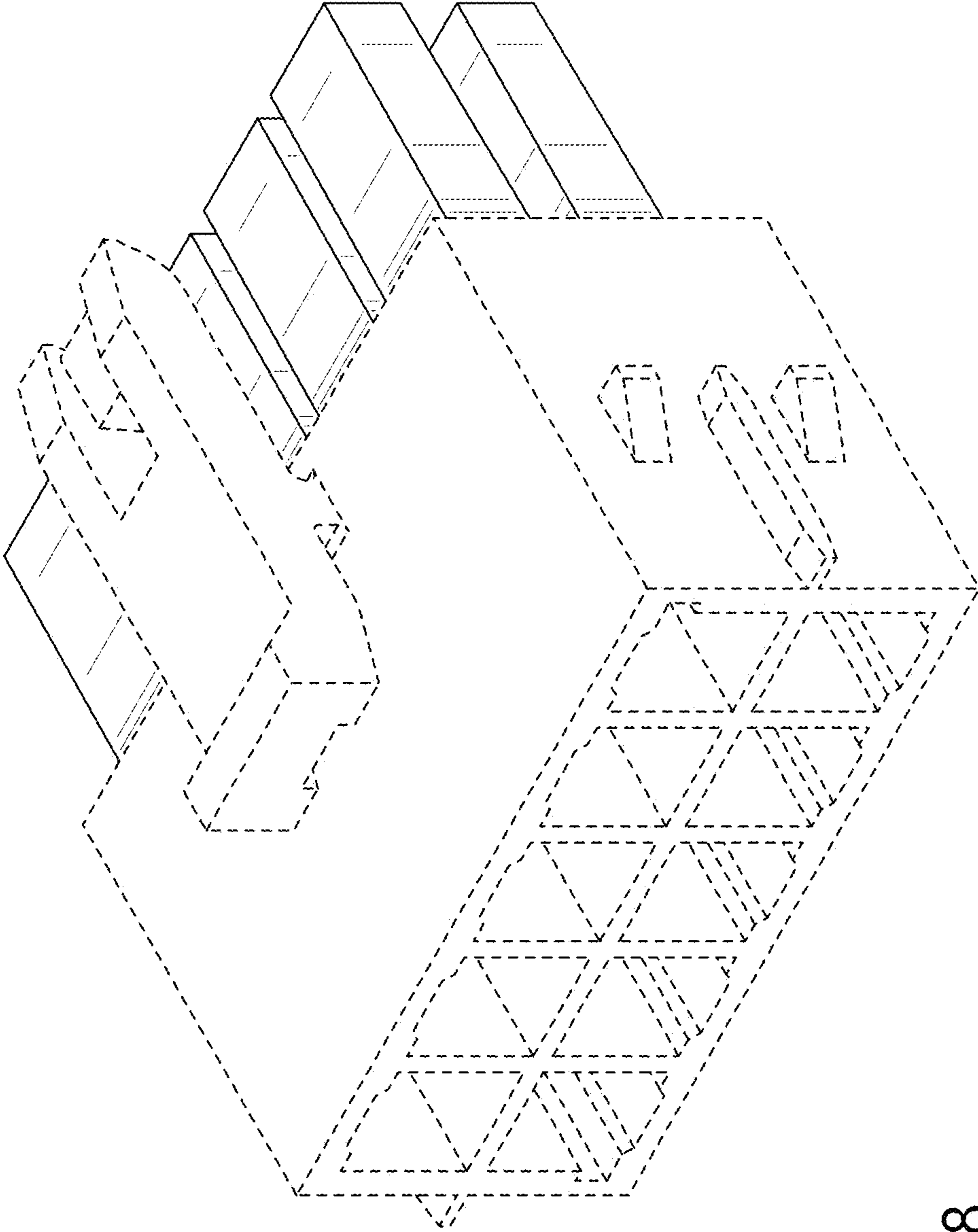


FIG. 58

FIG. 59

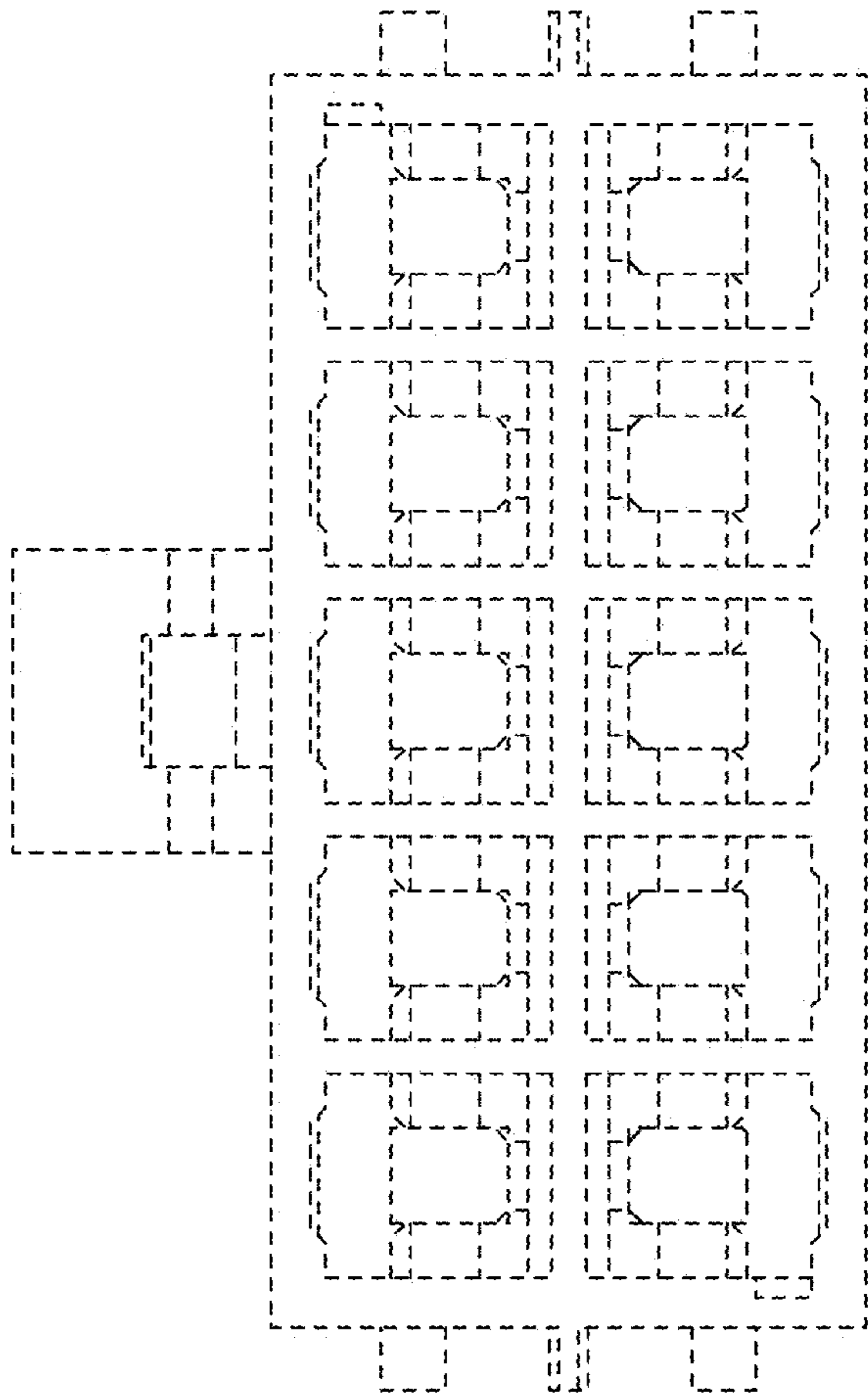
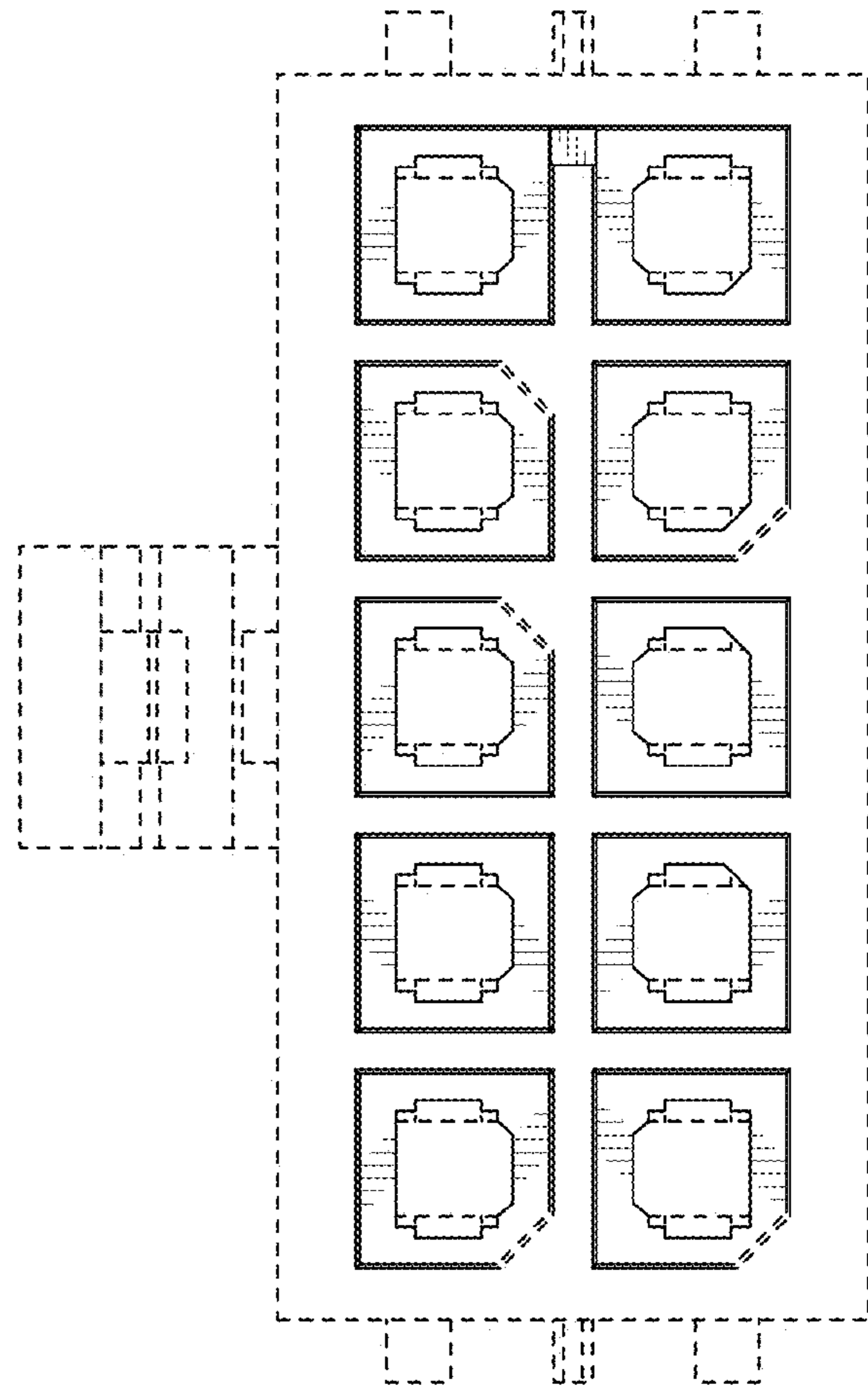


FIG. 60



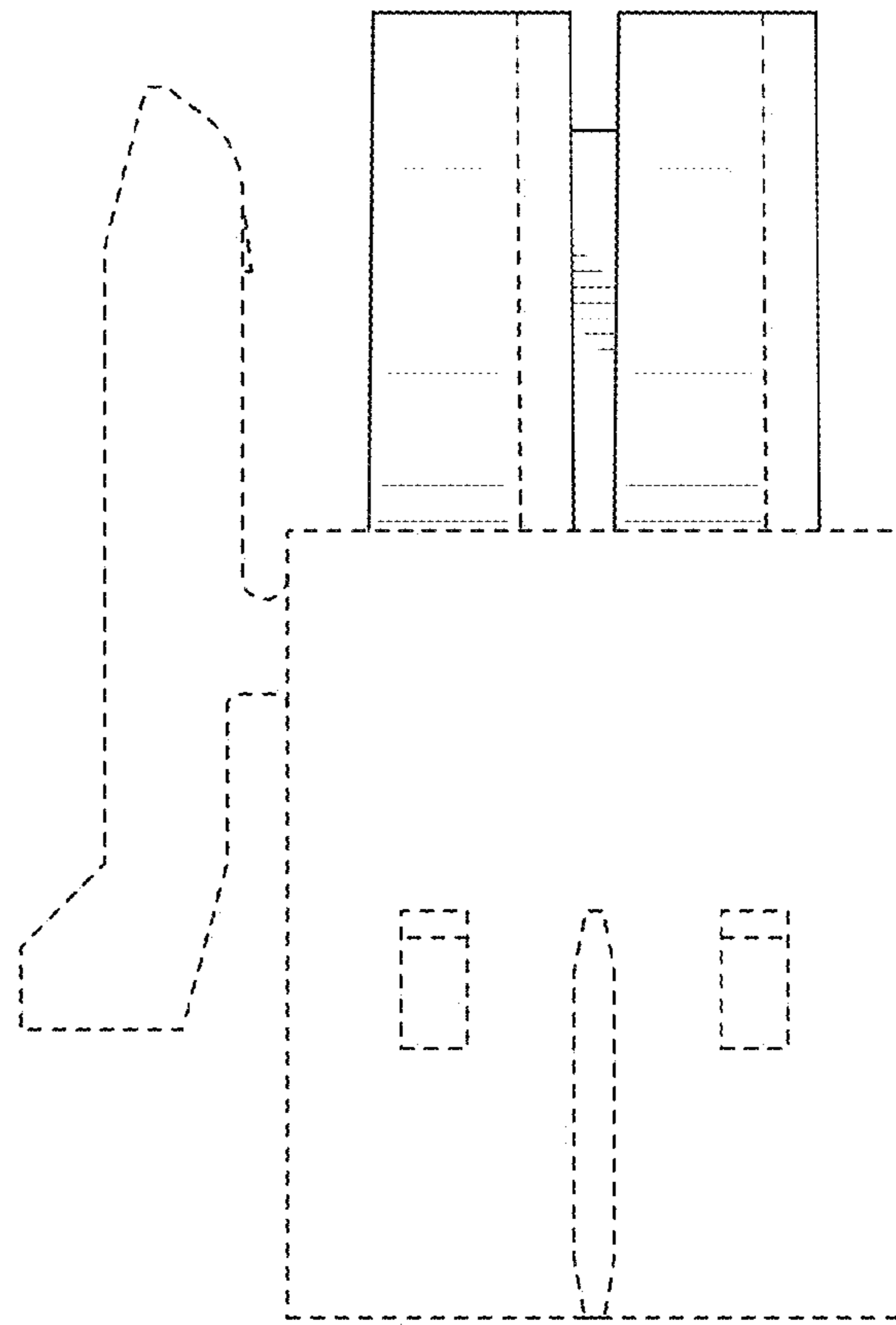


FIG. 61

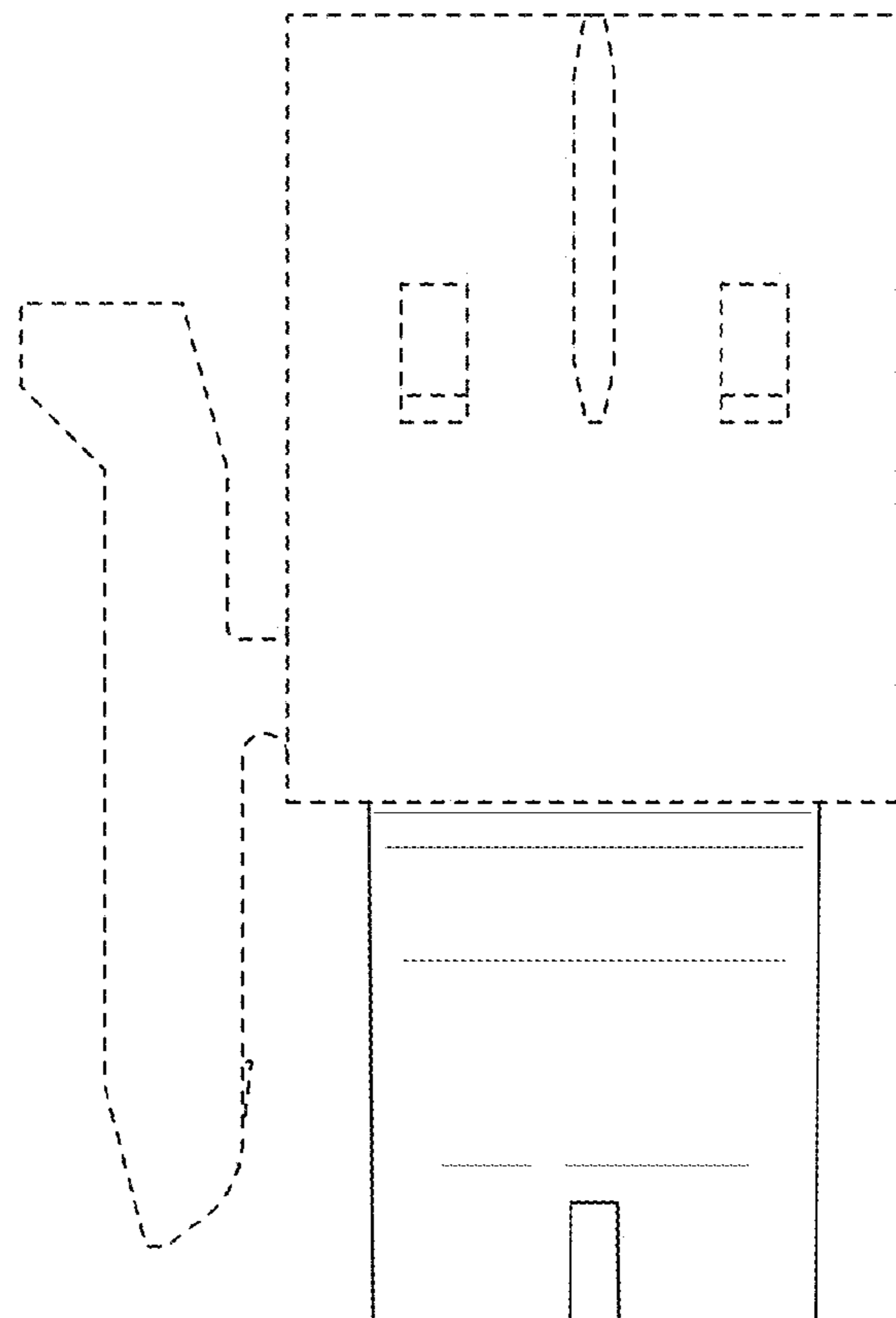


FIG. 62

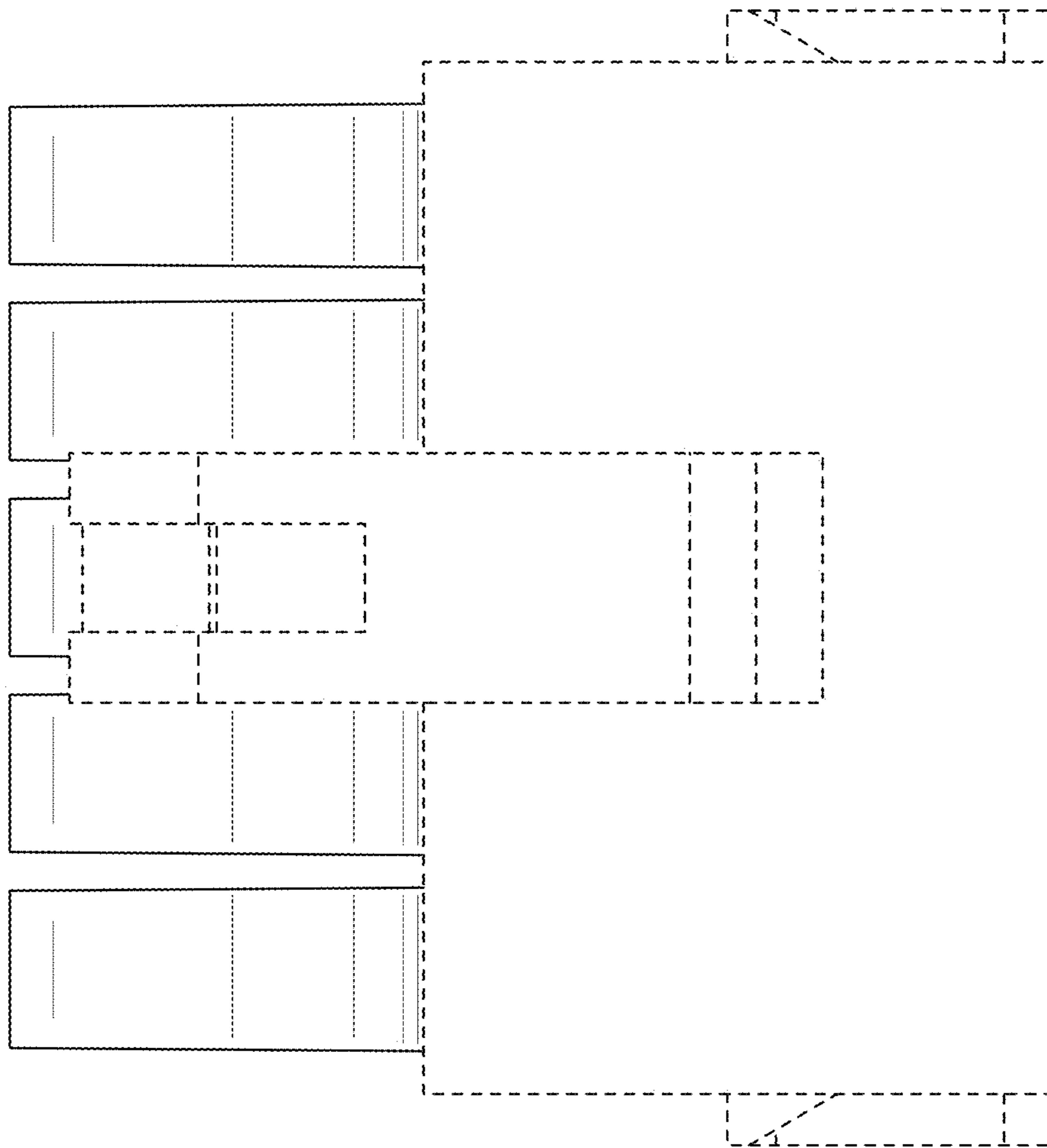
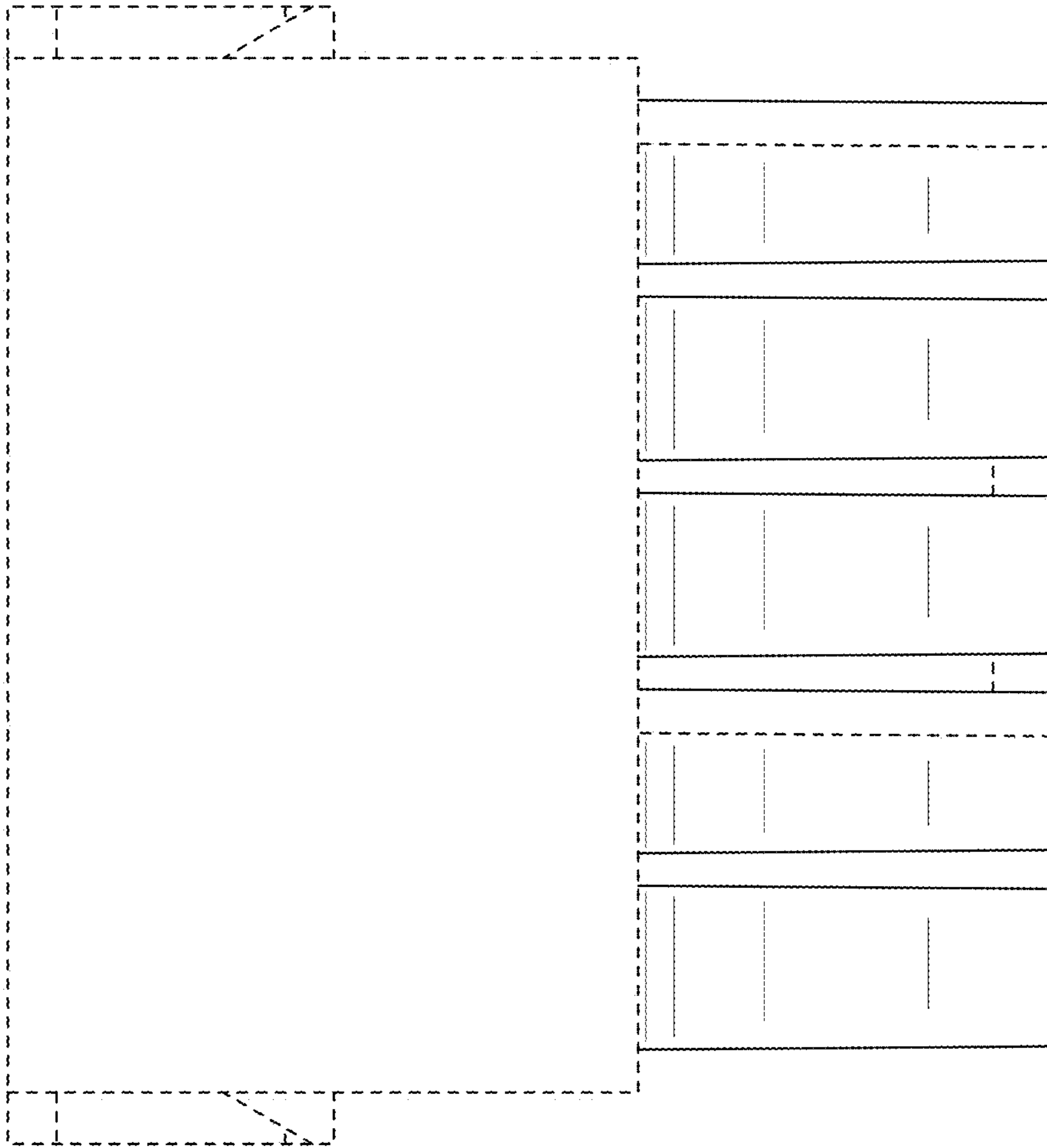


FIG. 63

FIG. 64



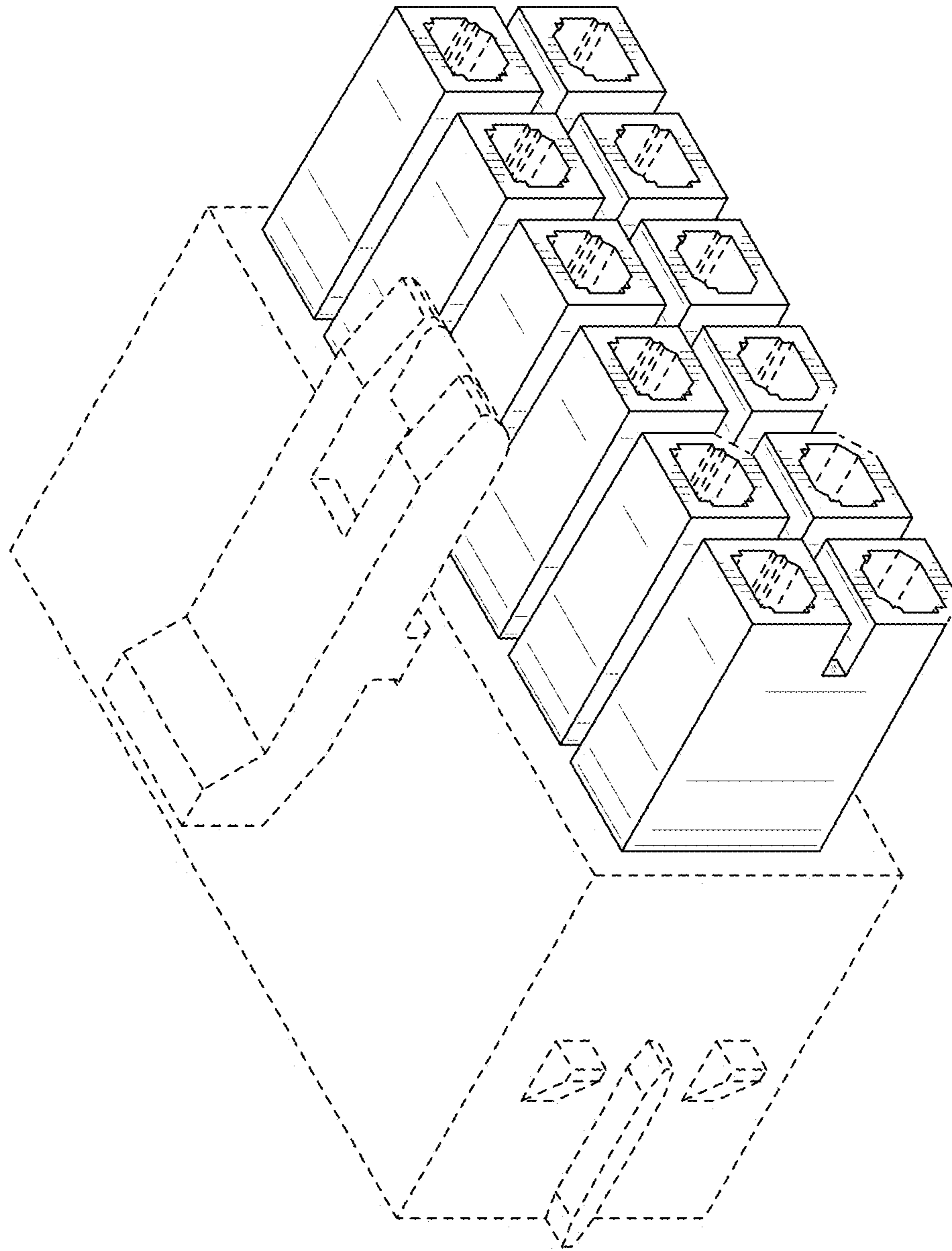


FIG. 65



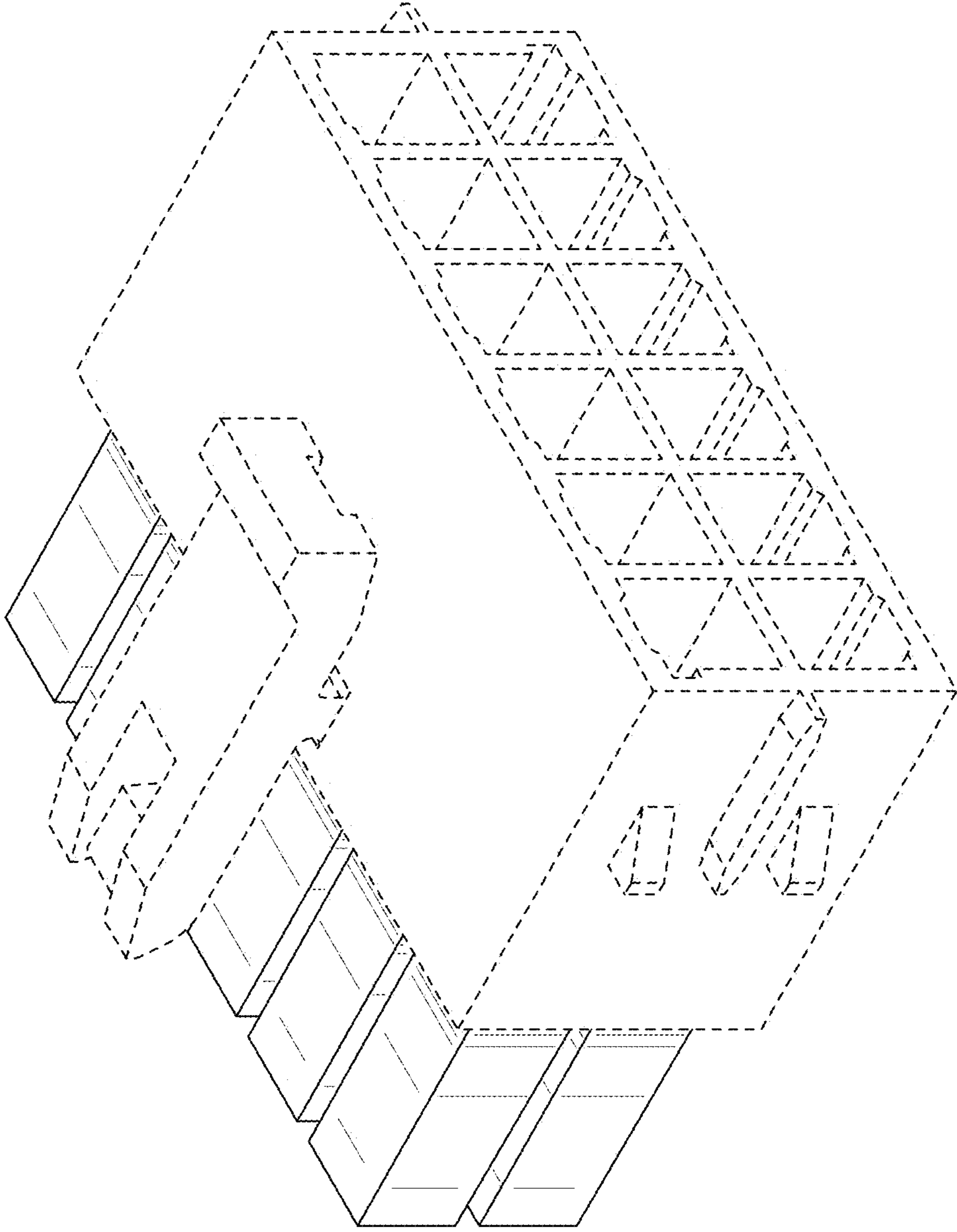


FIG. 66

FIG. 67

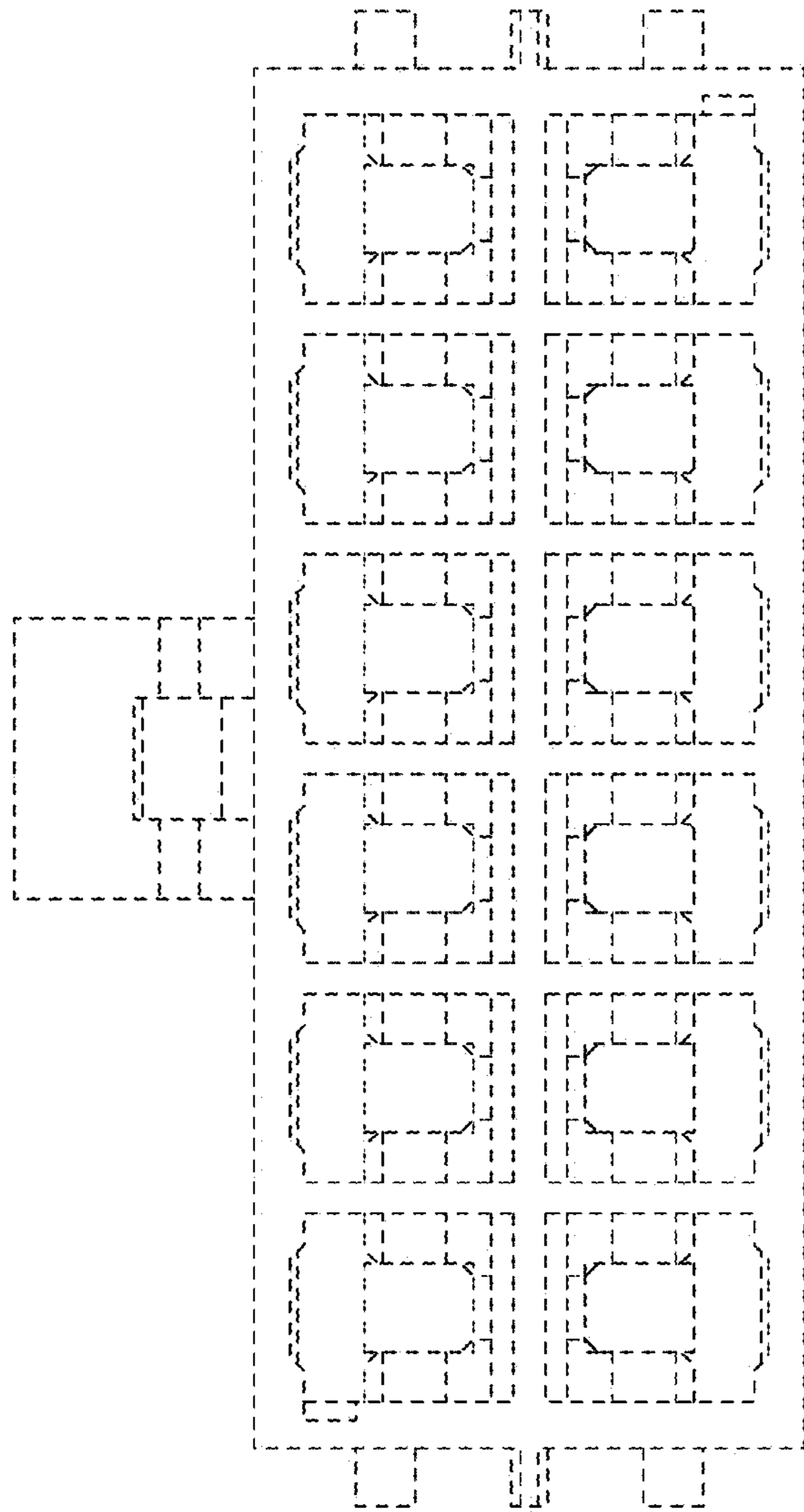
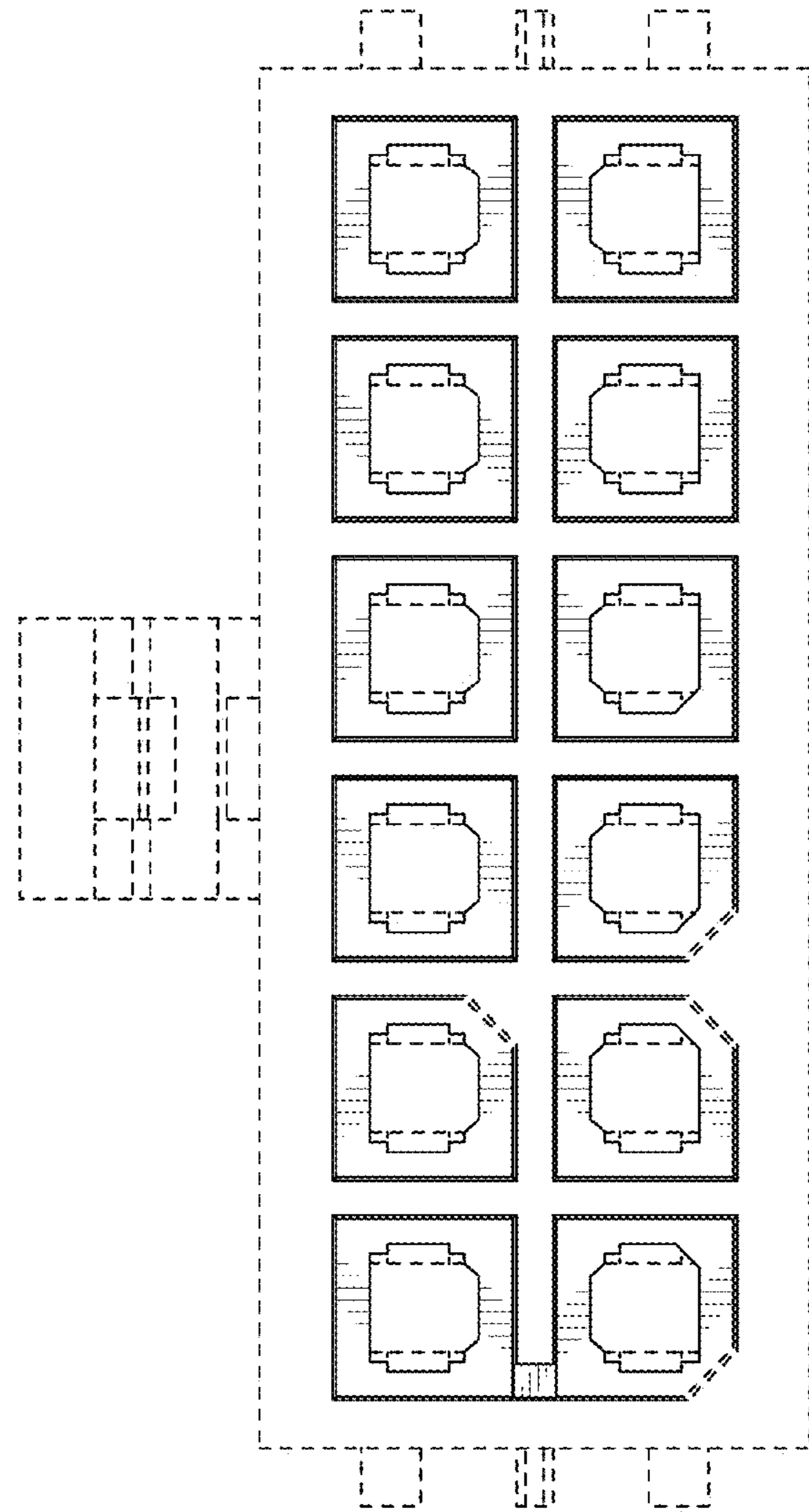


FIG. 68



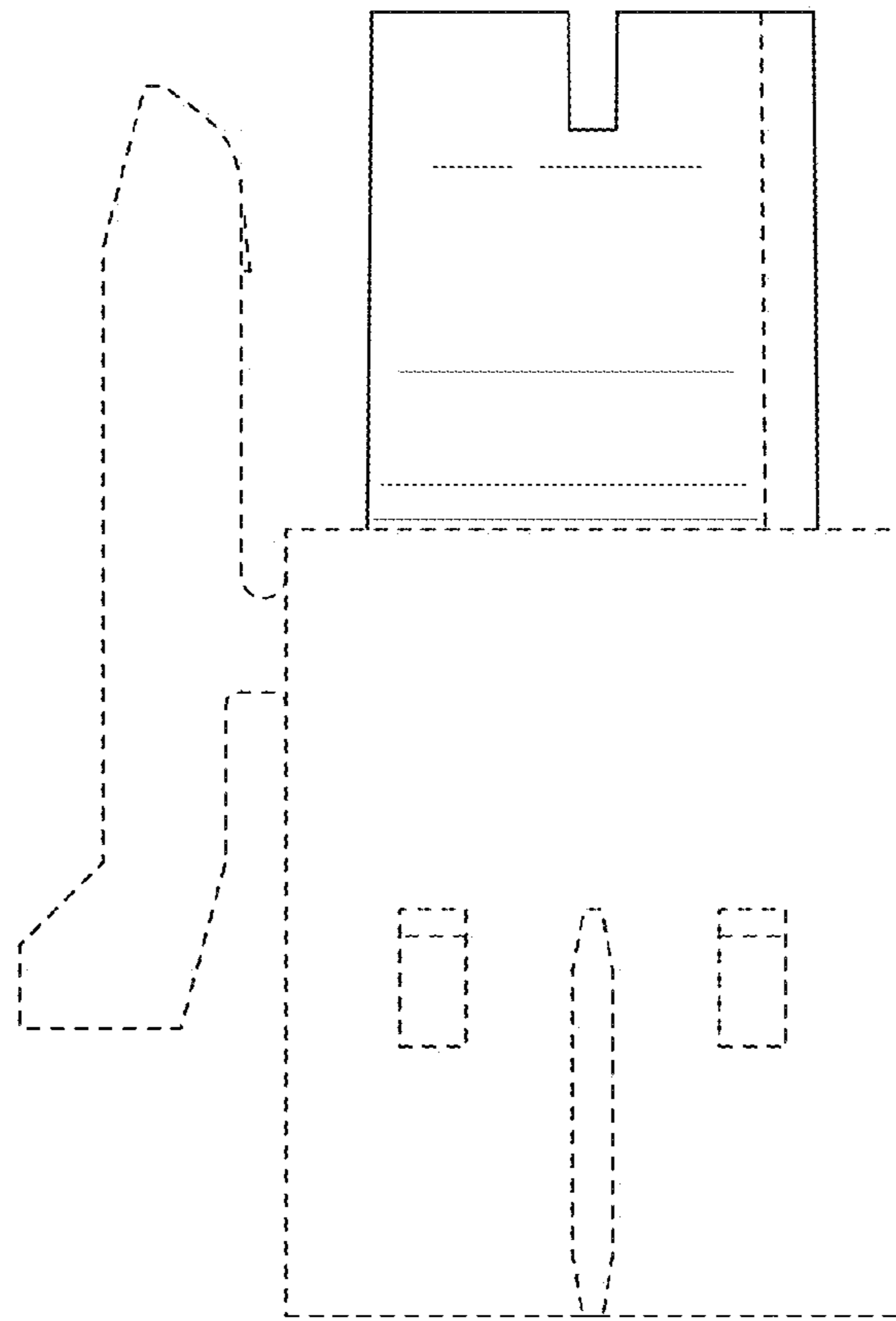


FIG. 70

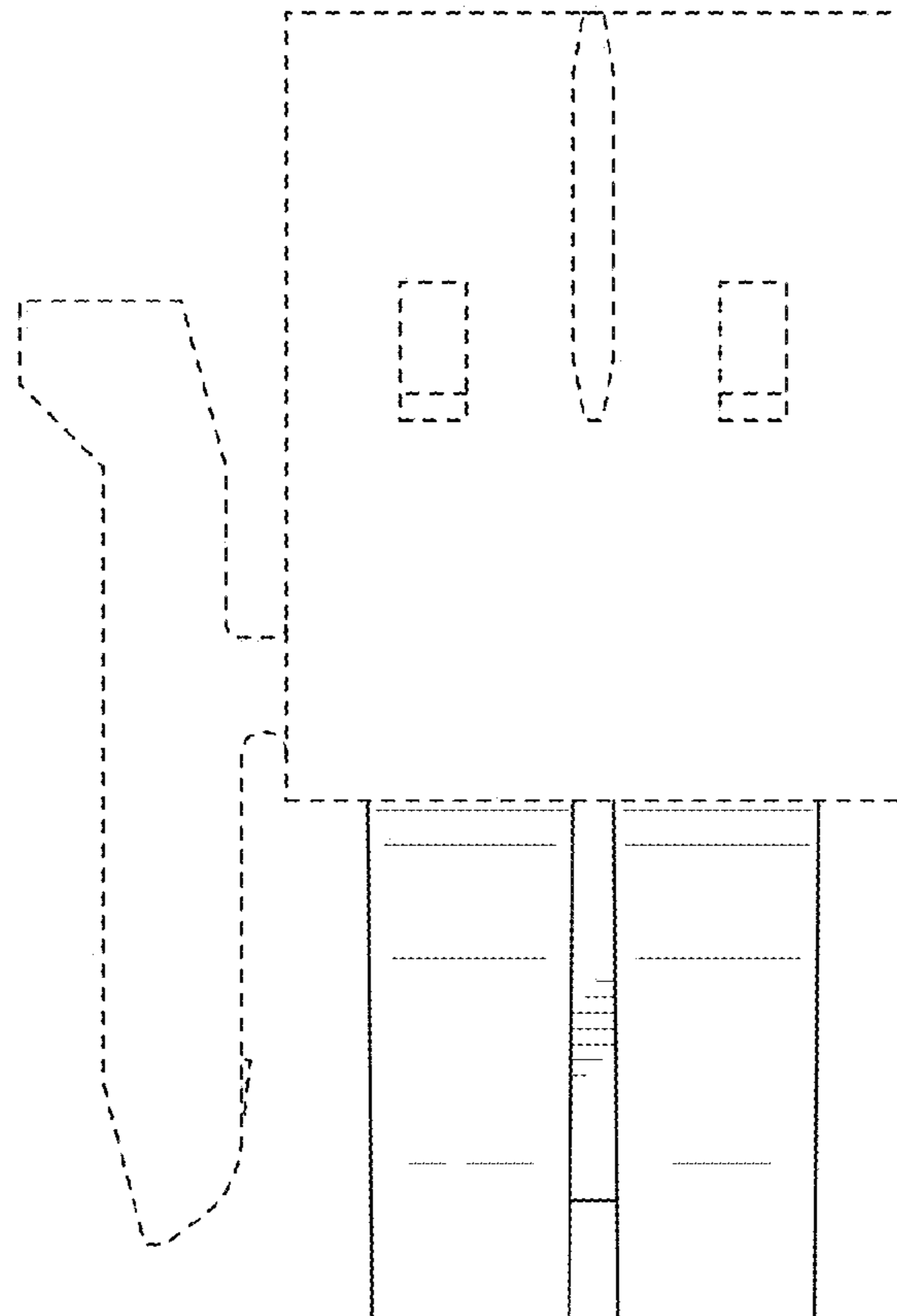


FIG. 69

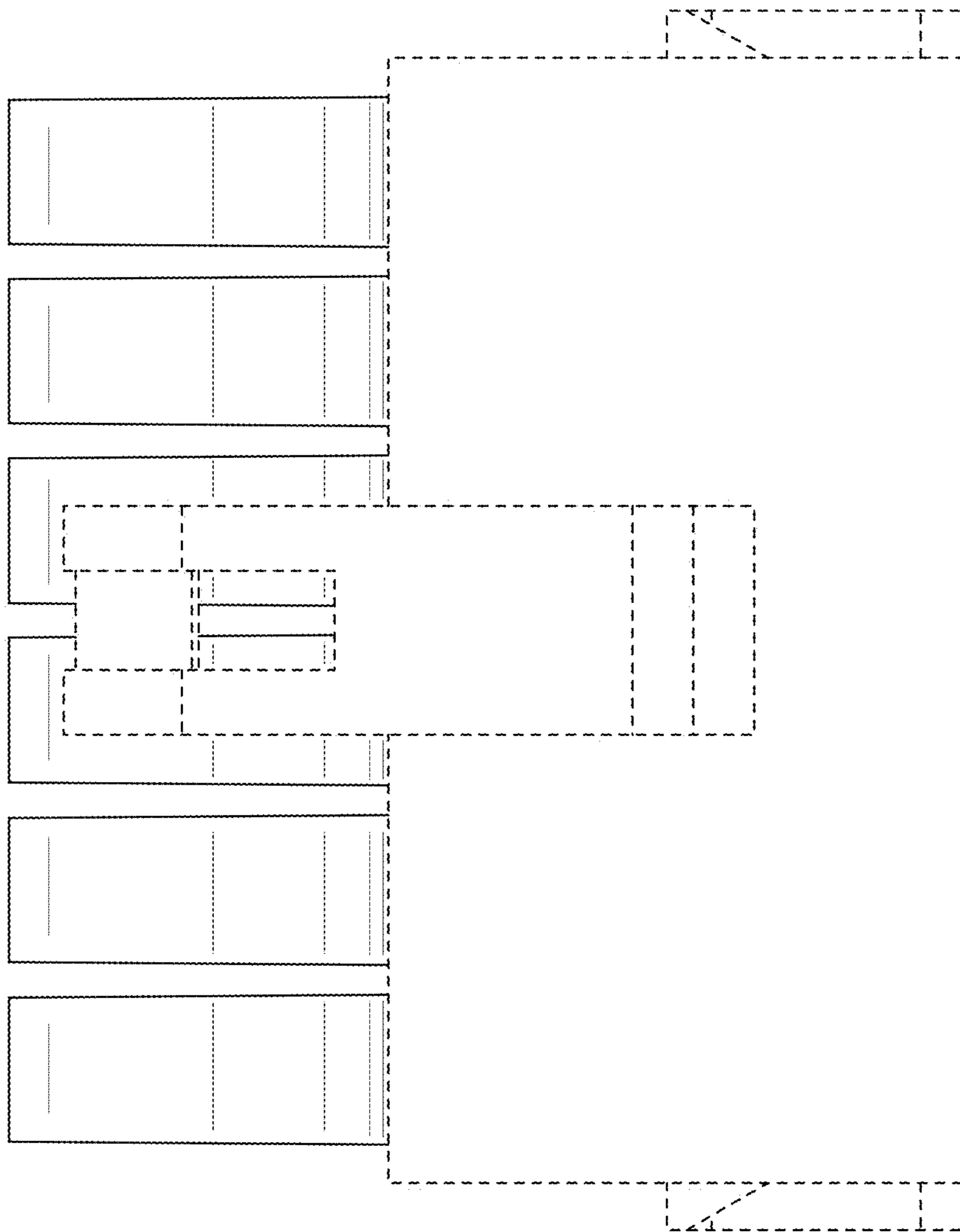


FIG. 71

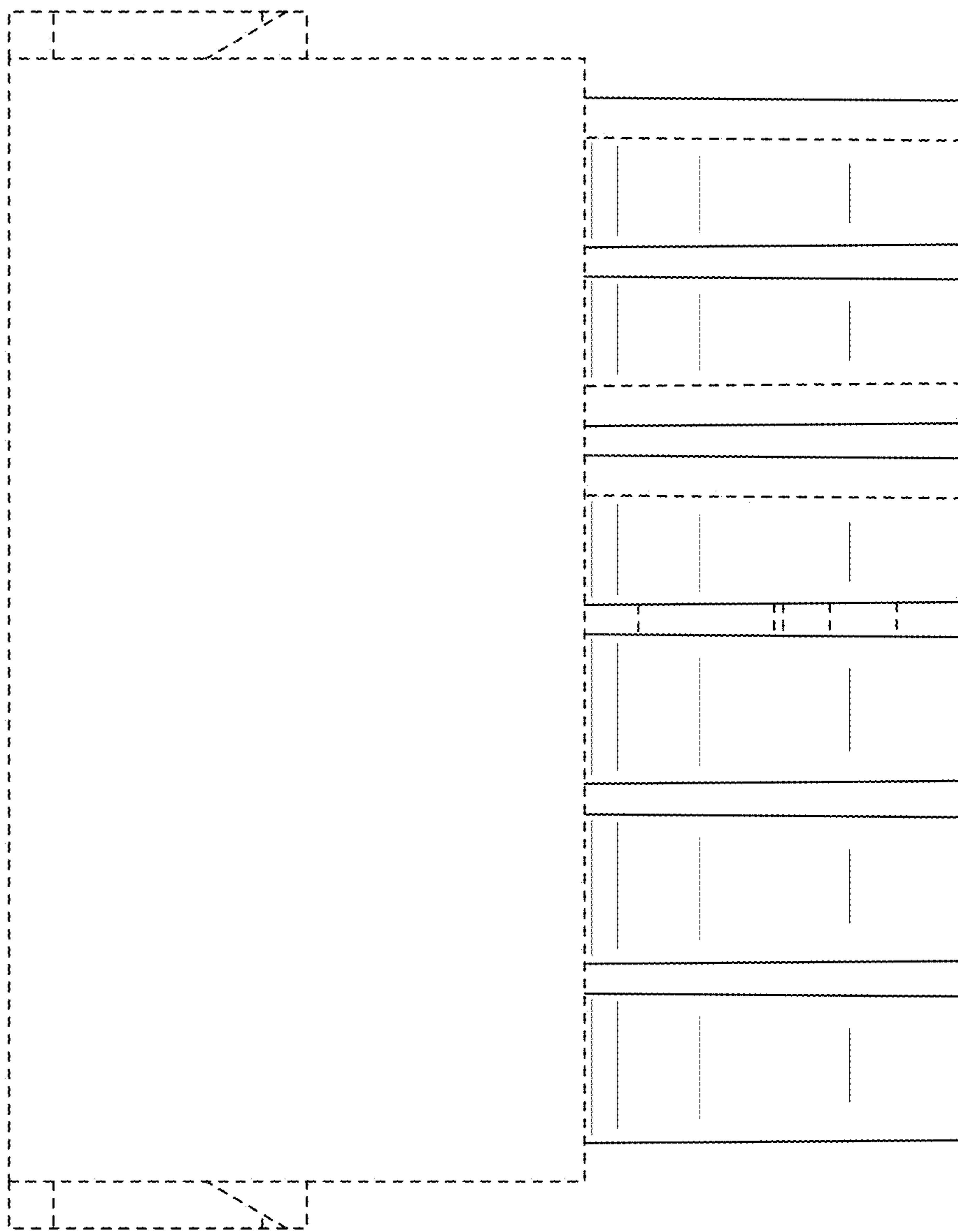


FIG. 72

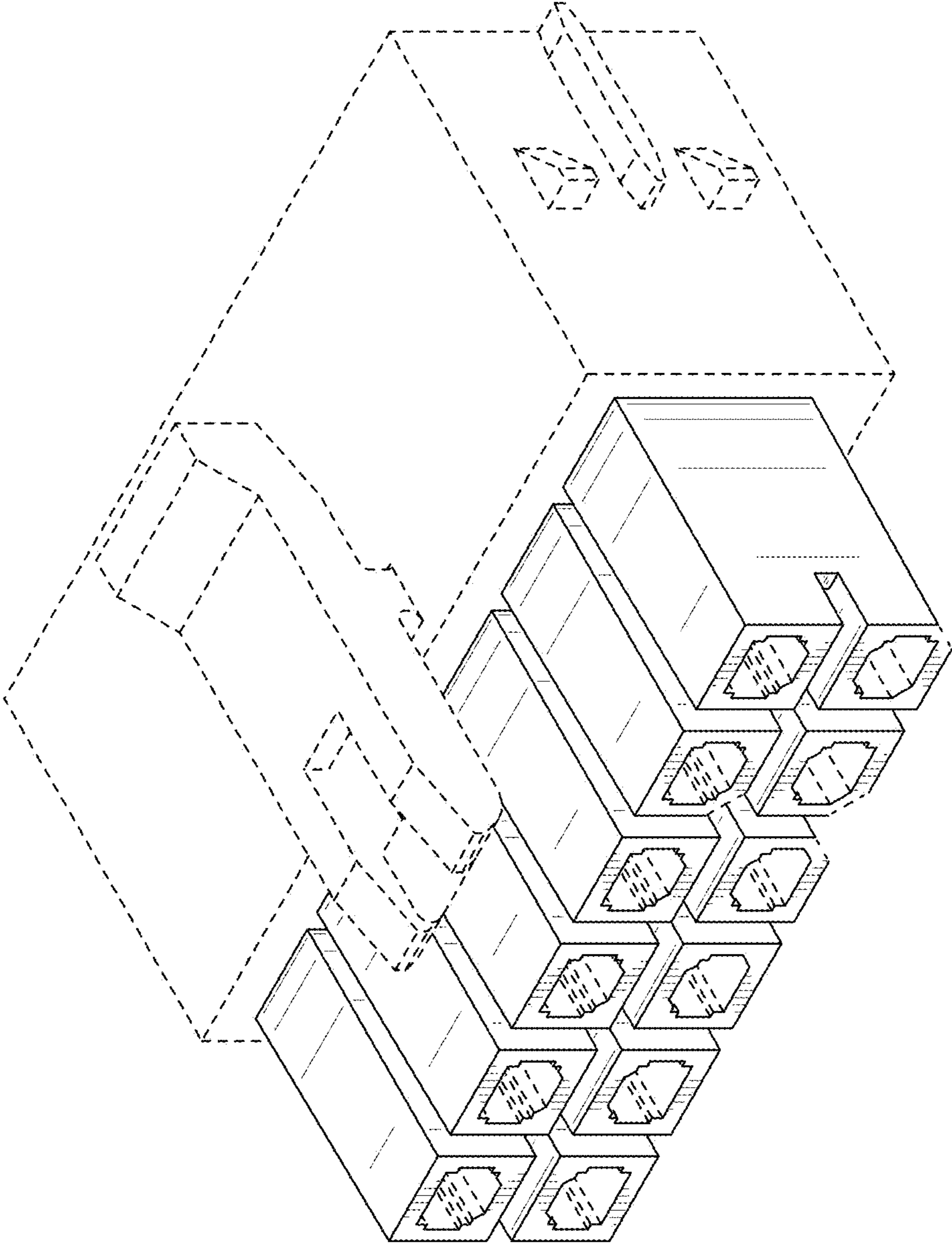


FIG. 73

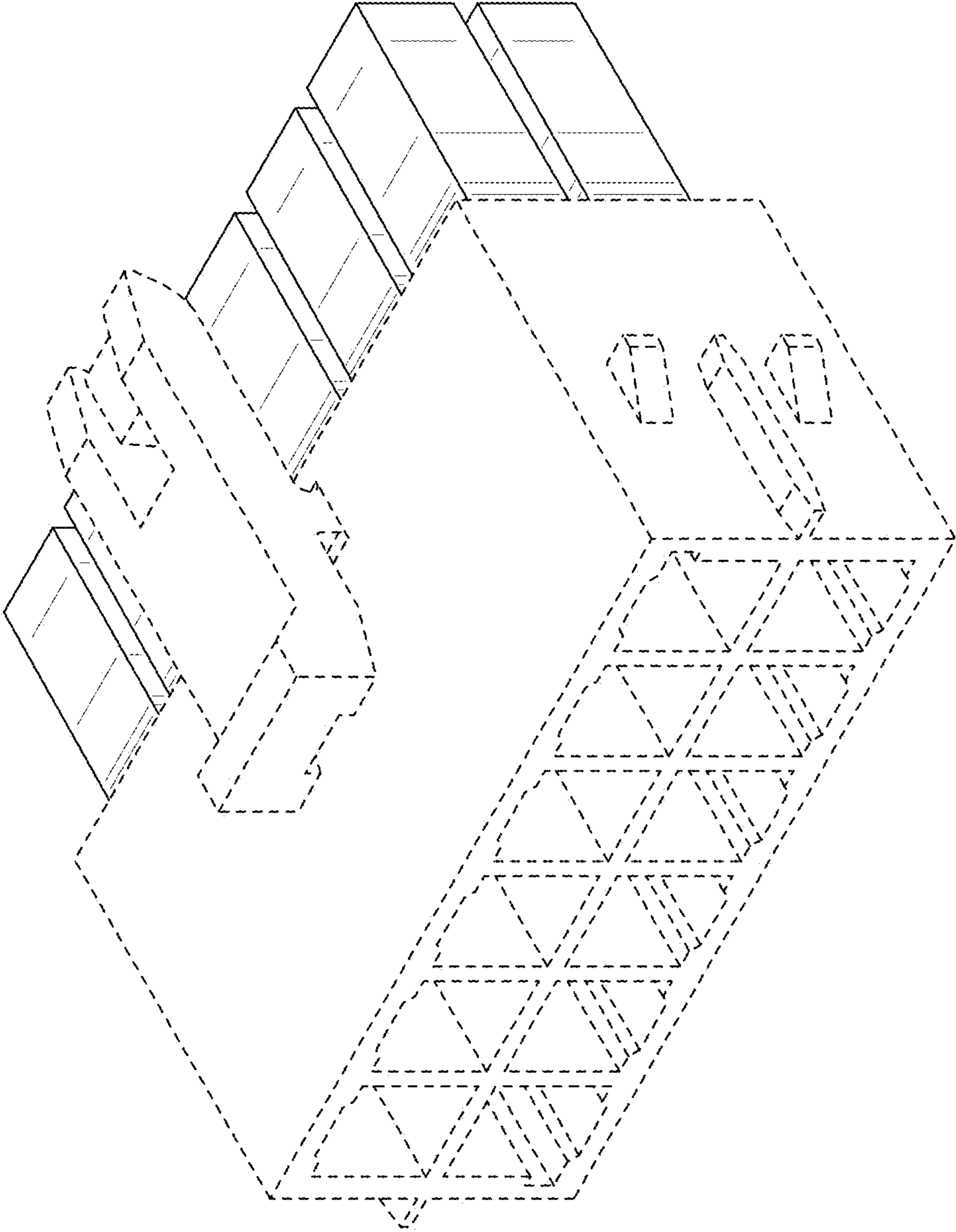


FIG. 74

FIG. 75

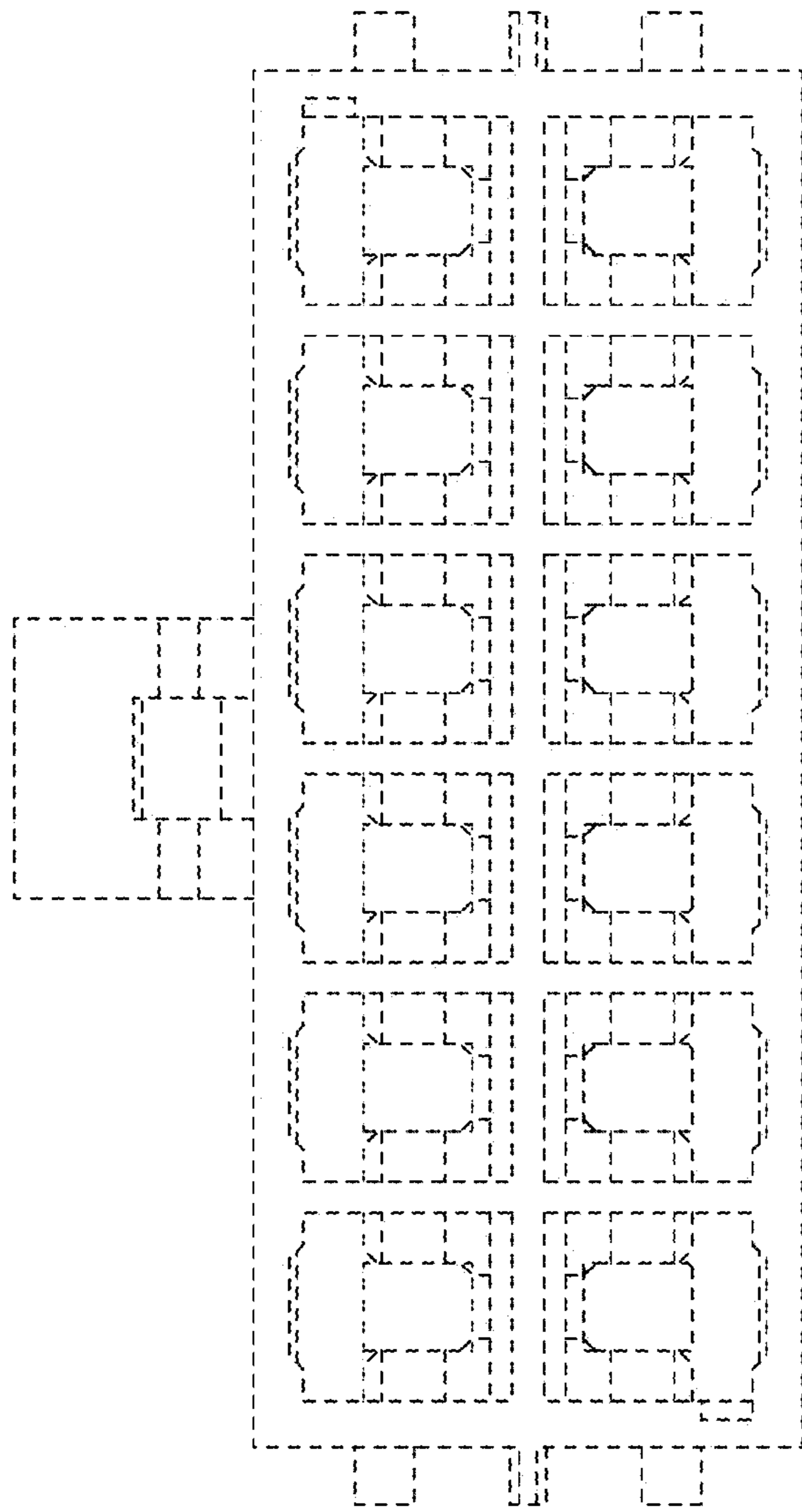
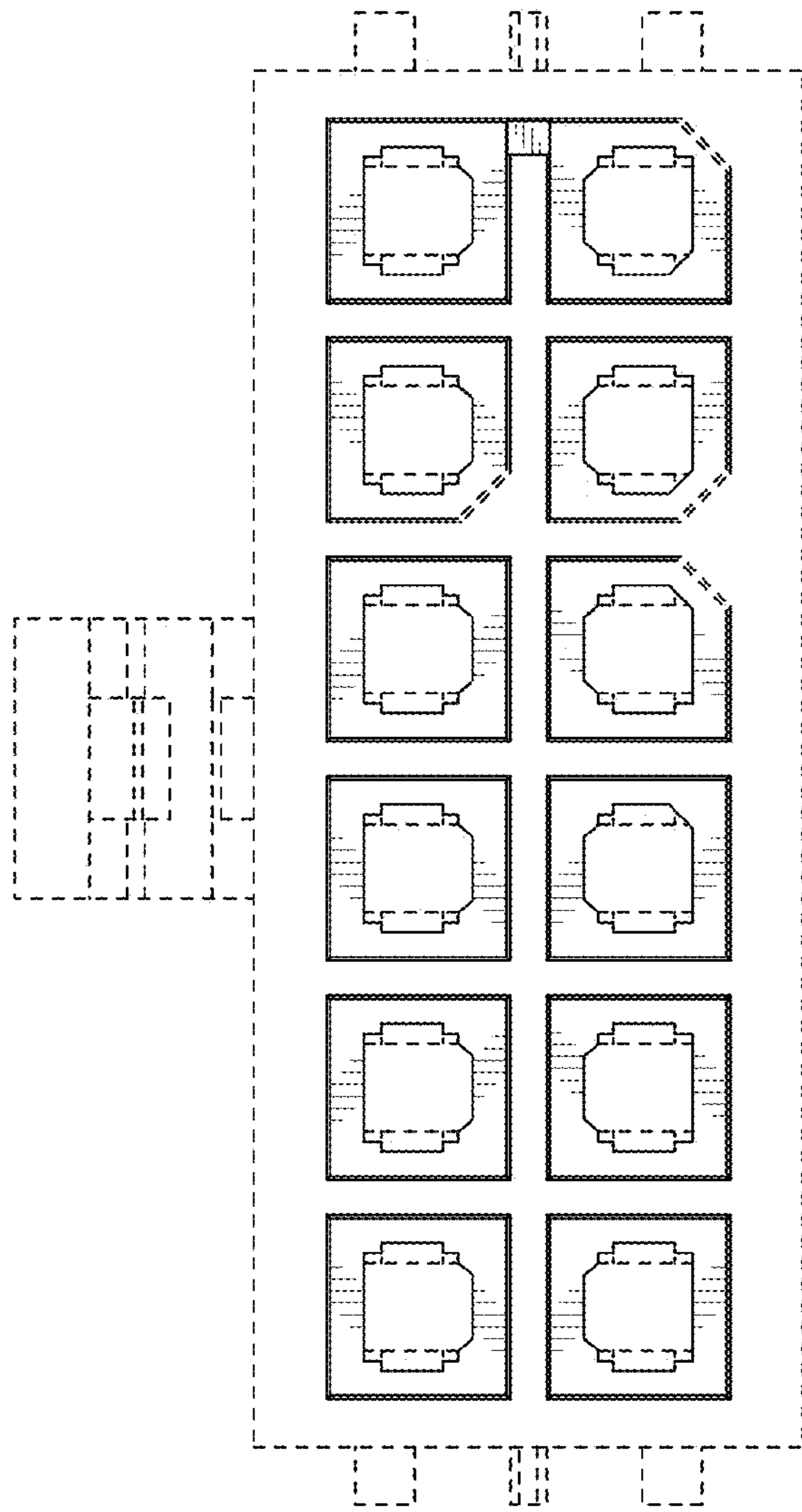


FIG. 76





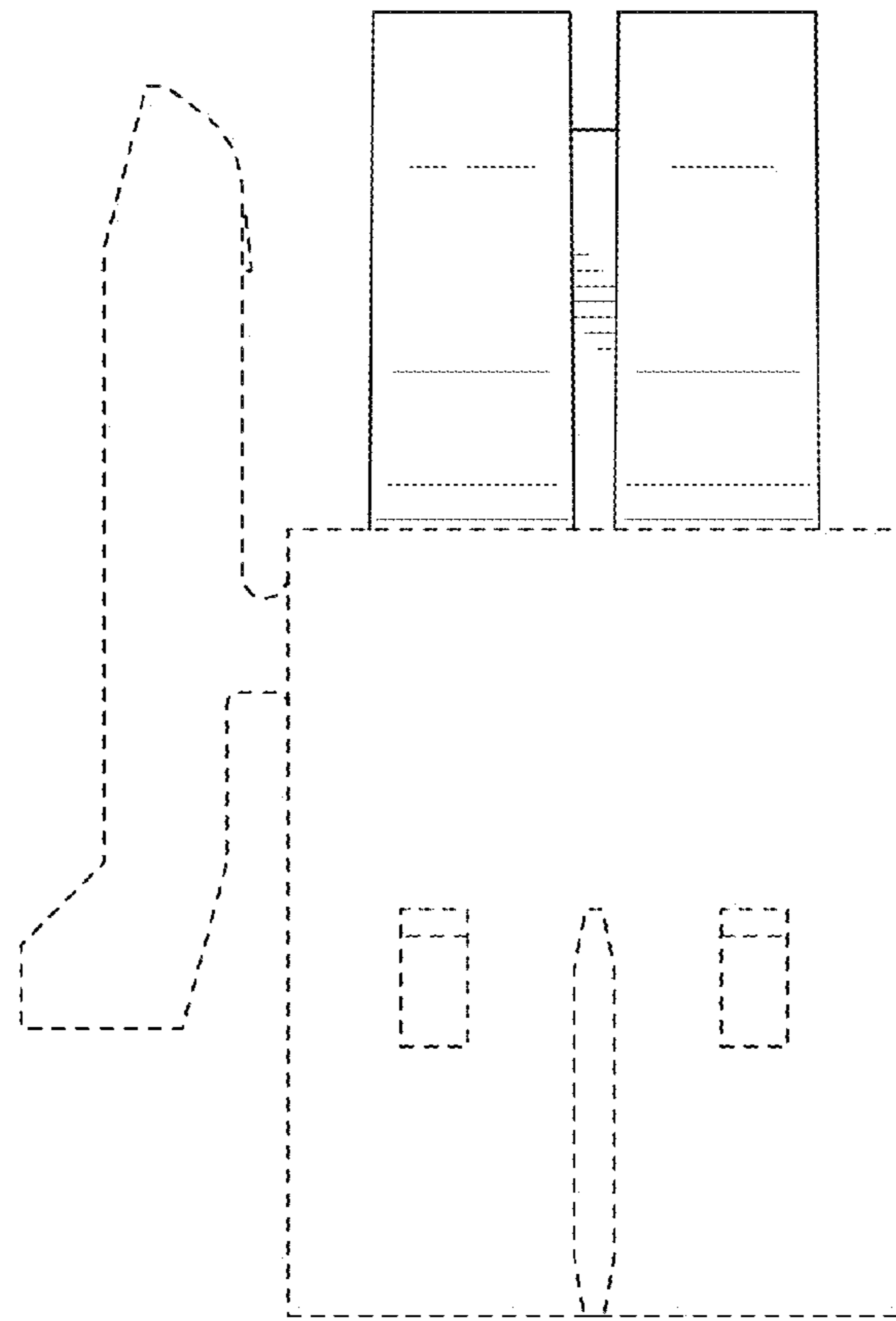


FIG. 78

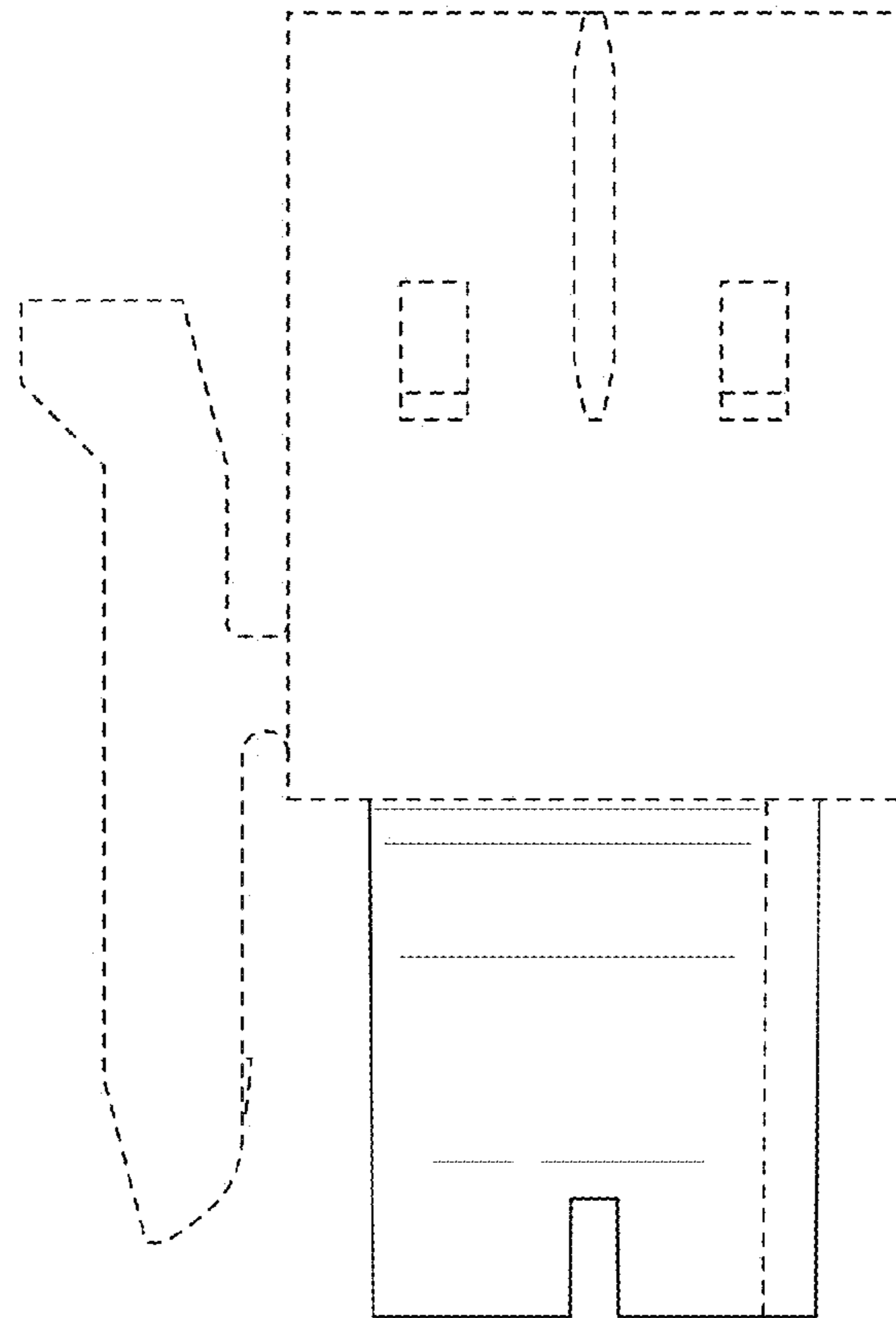


FIG. 77

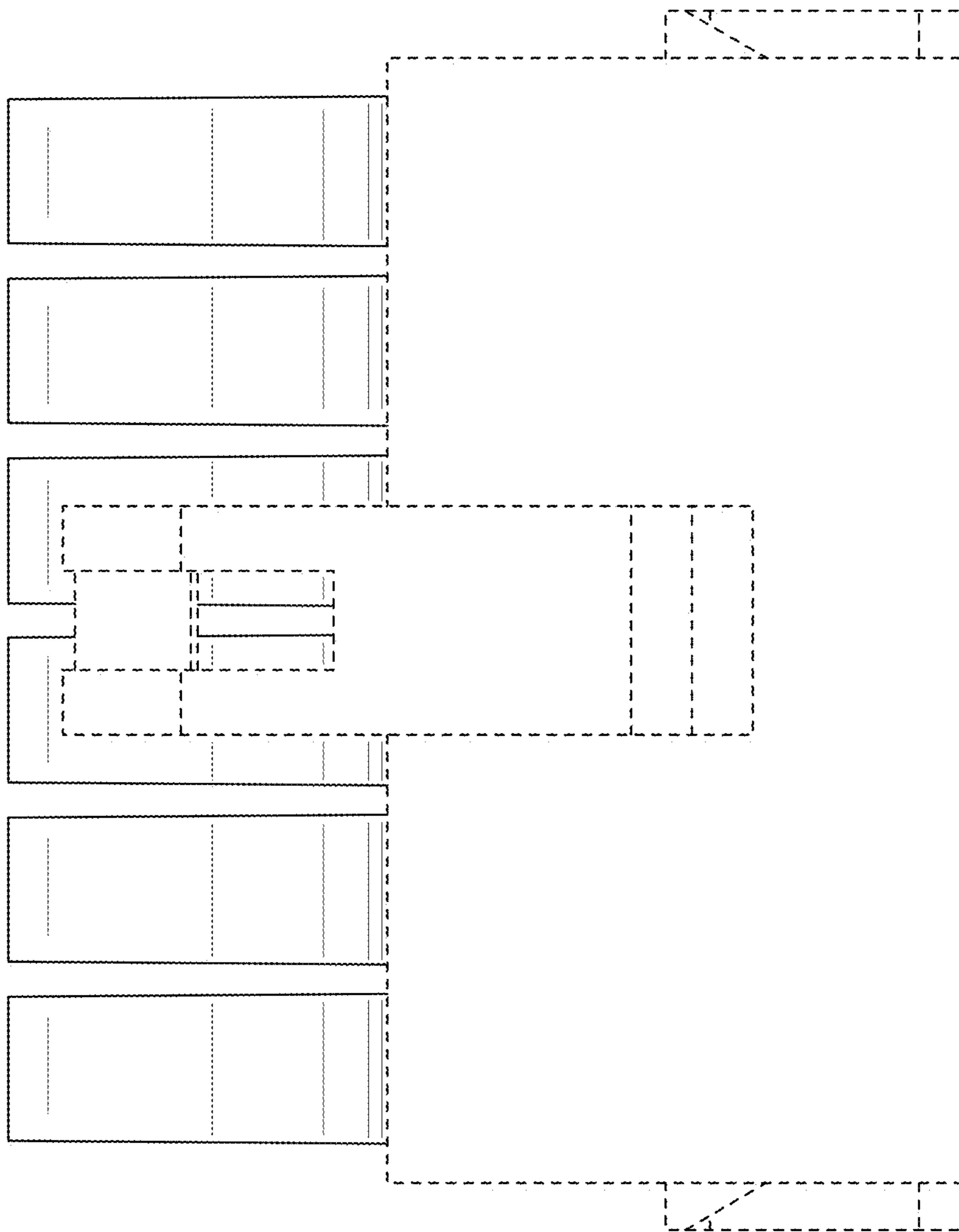


FIG. 79

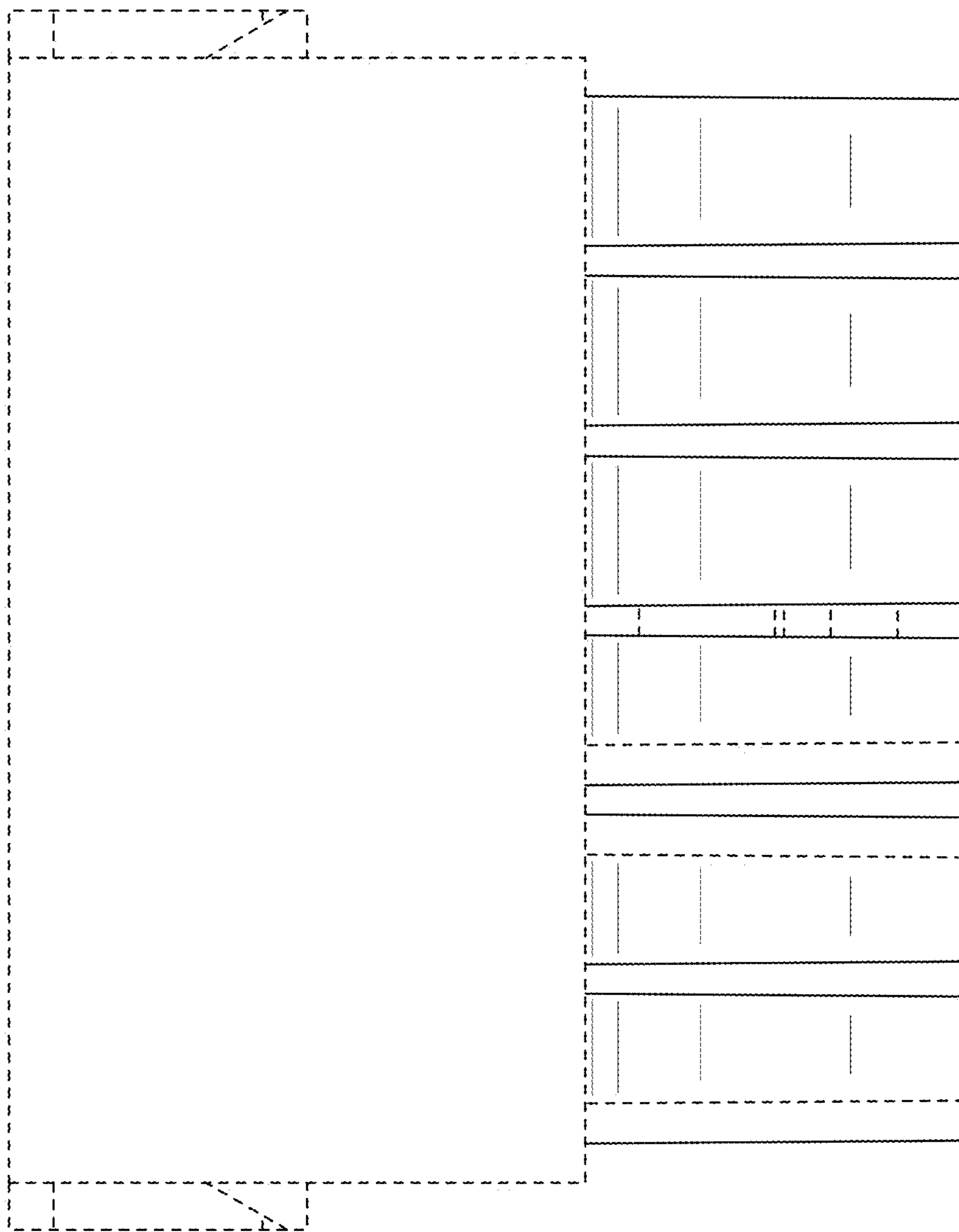


FIG. 80

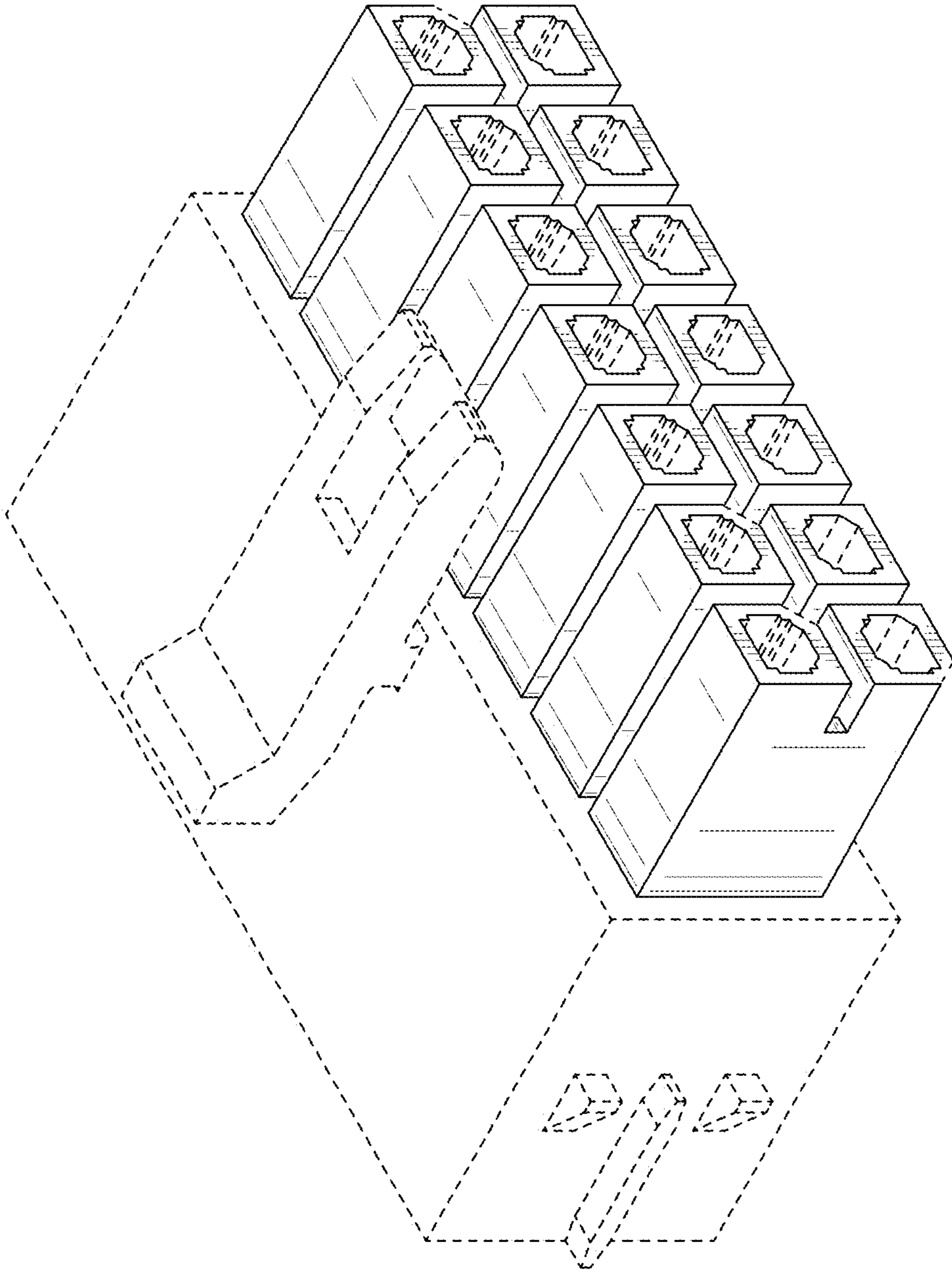


FIG. 81

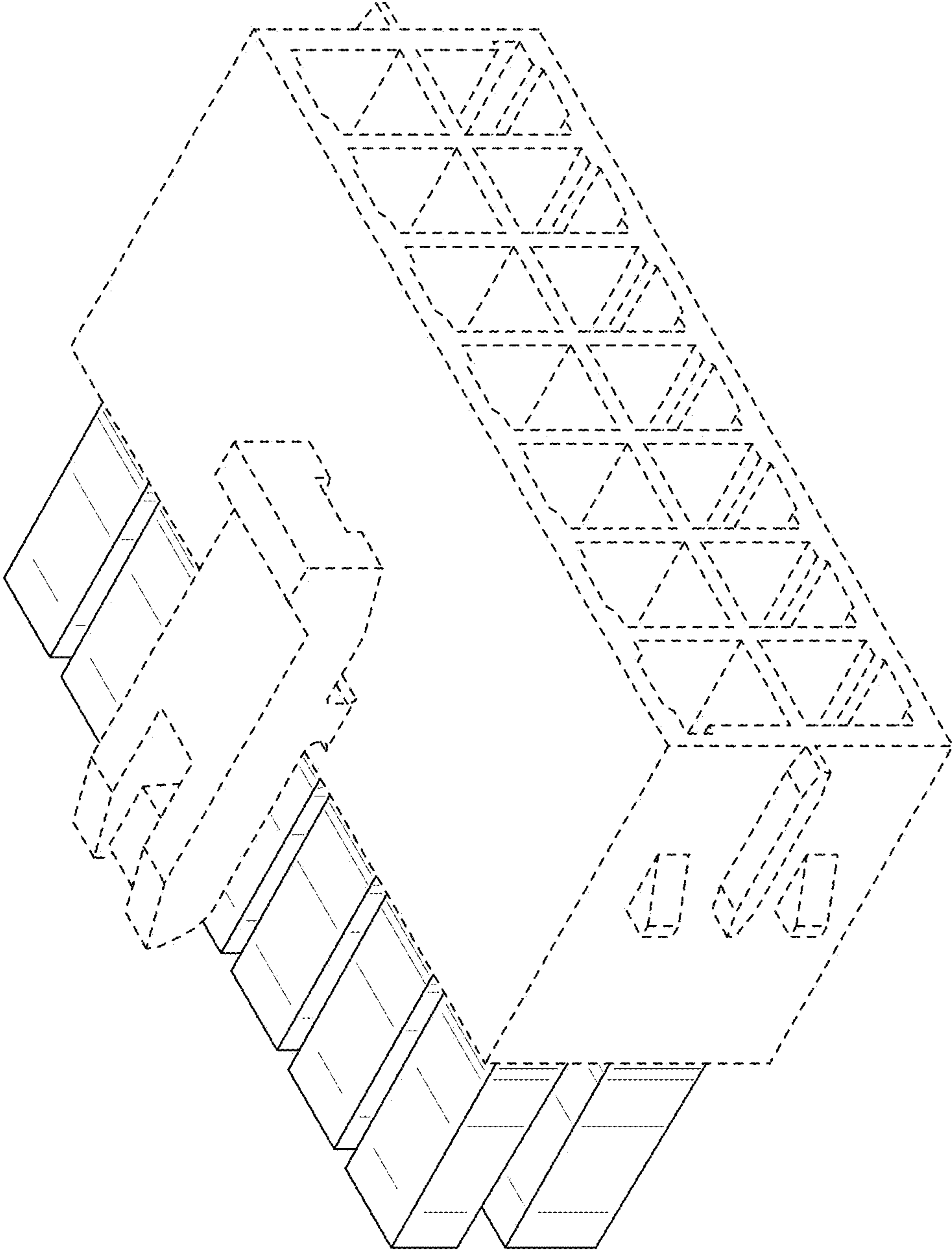


FIG. 82

FIG. 83

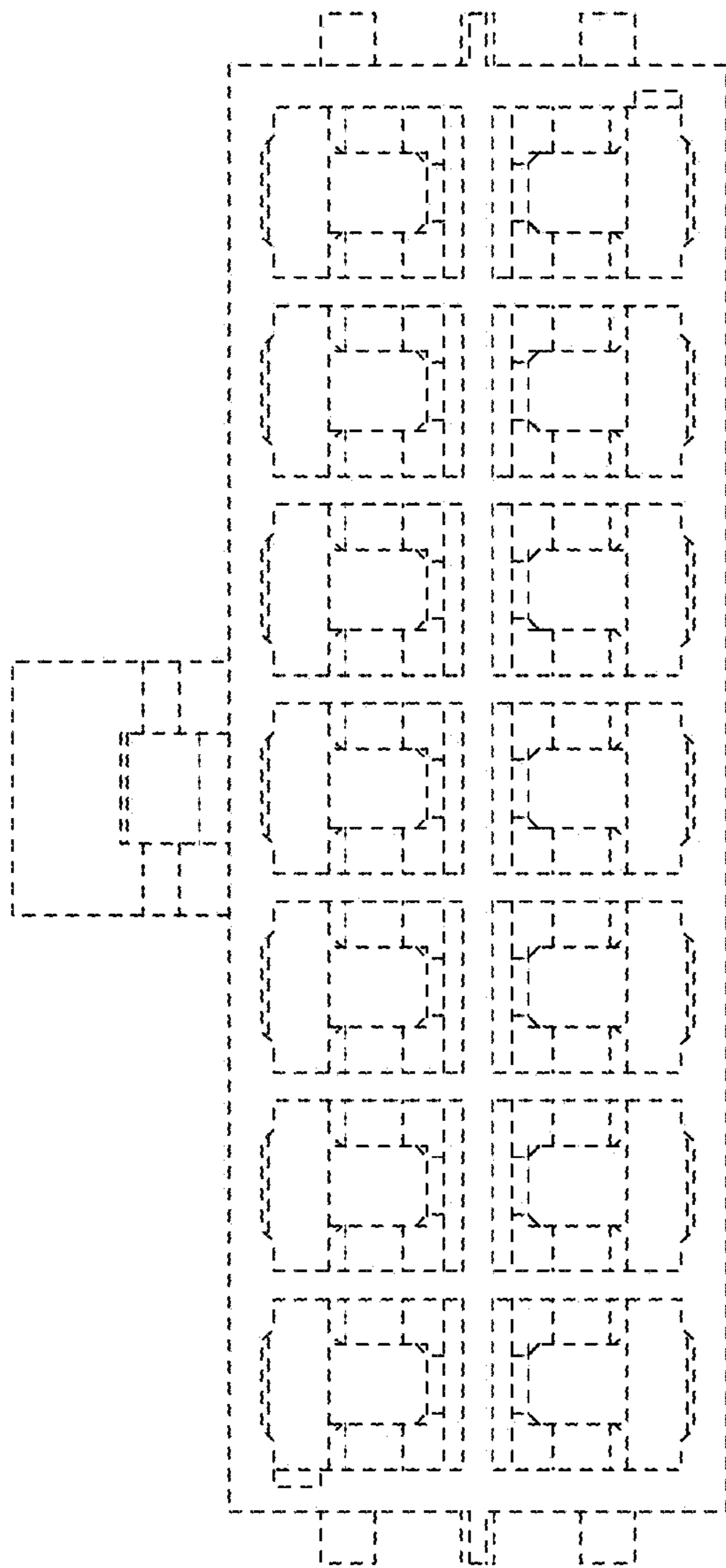
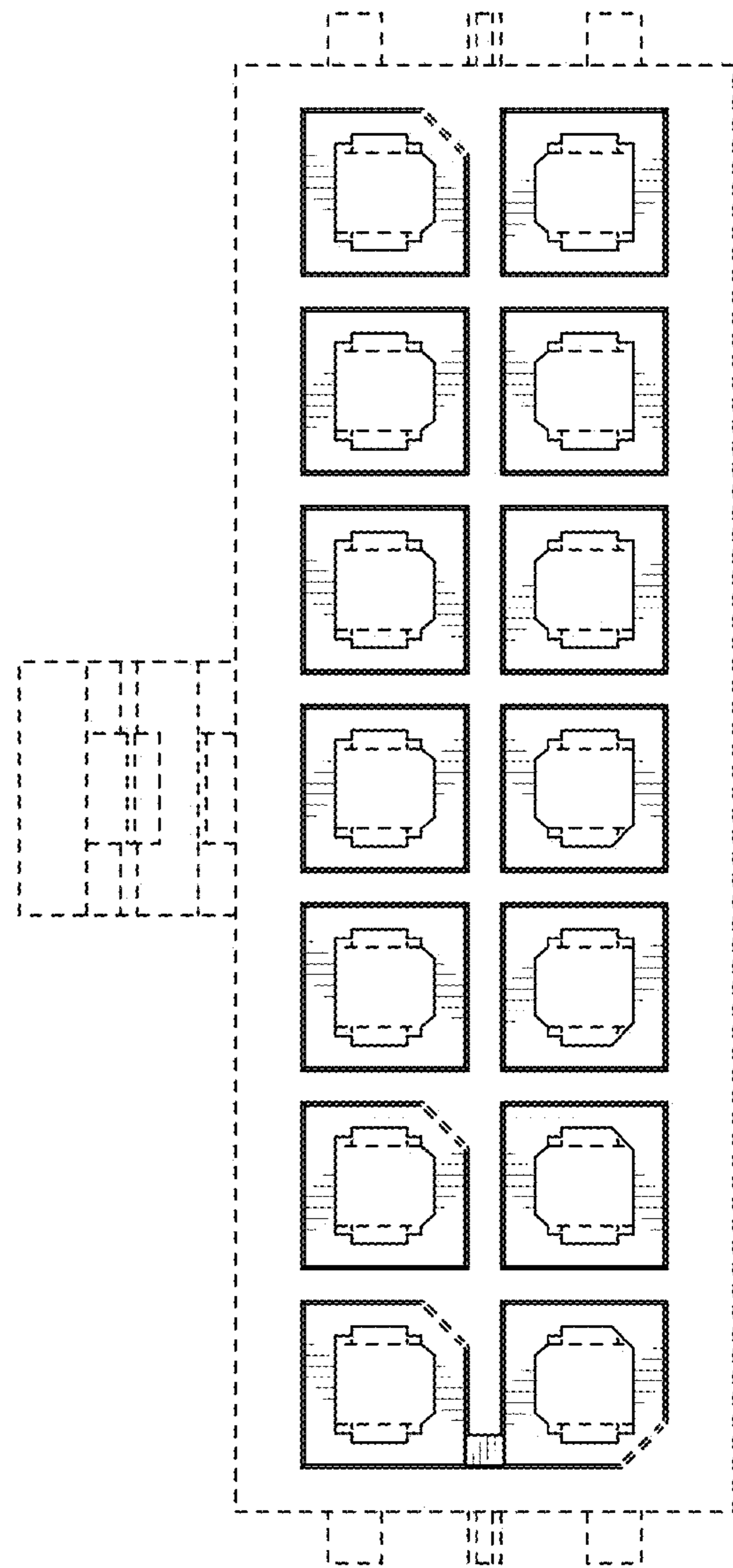


FIG. 84



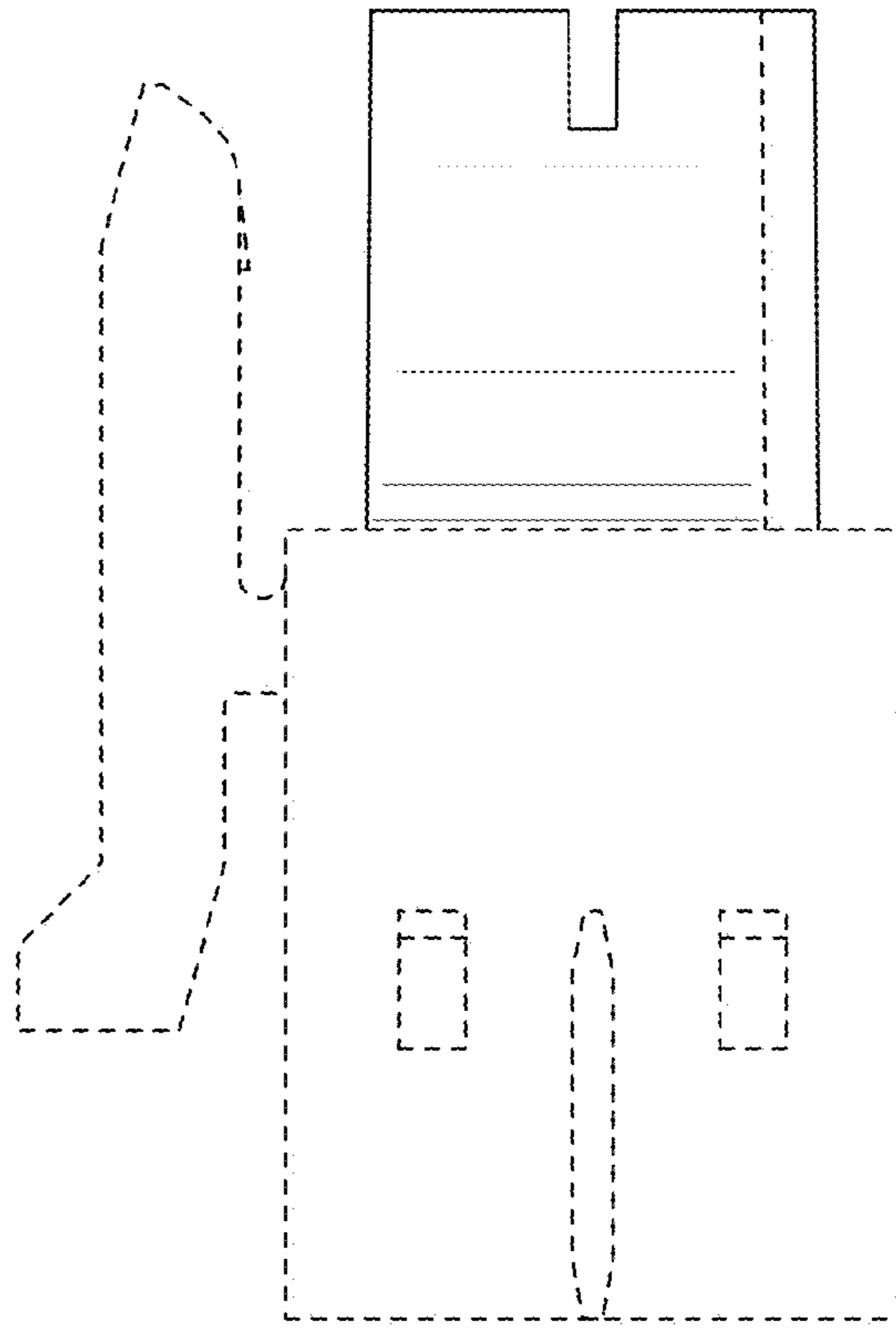


FIG. 86

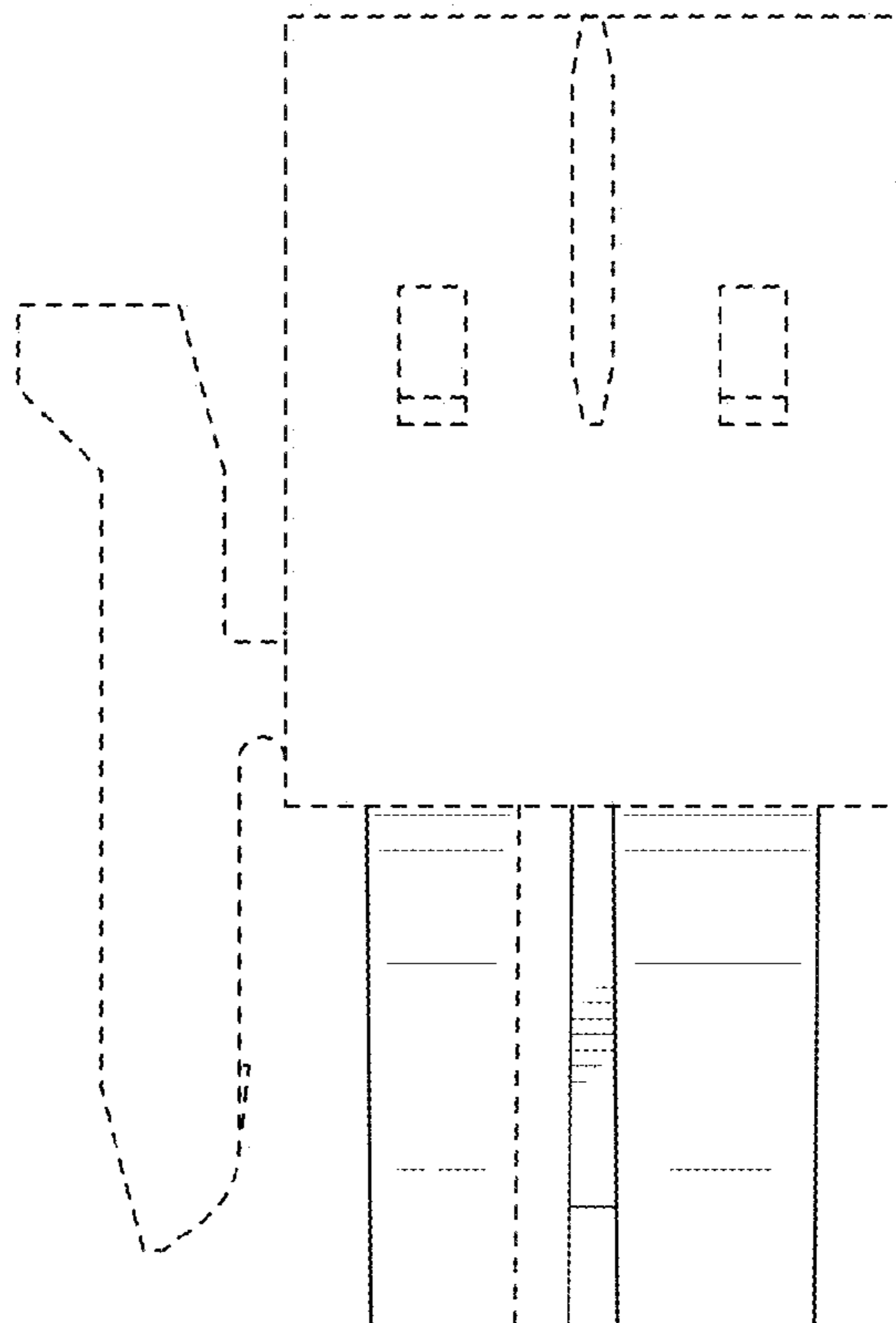


FIG. 85

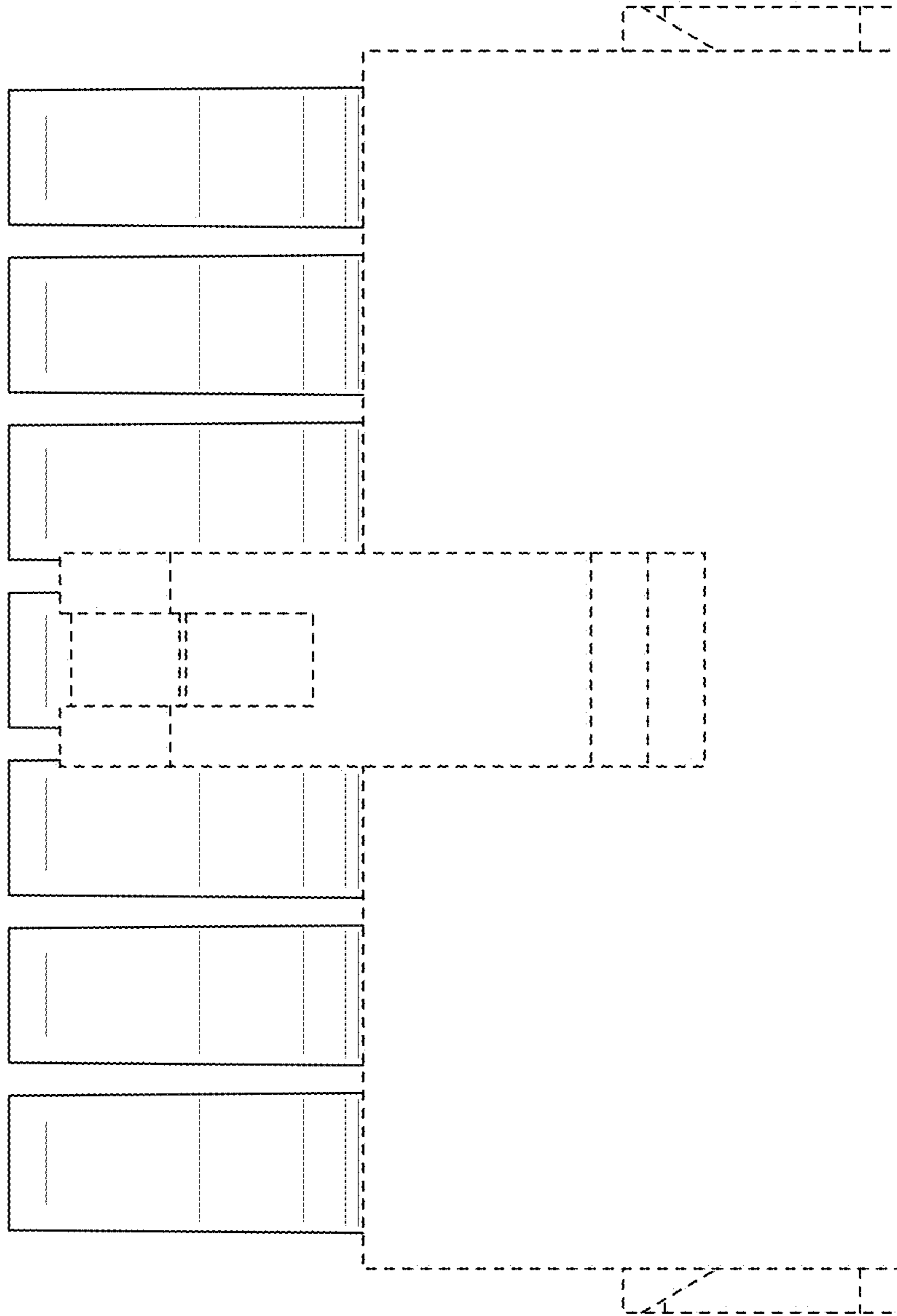


FIG. 87



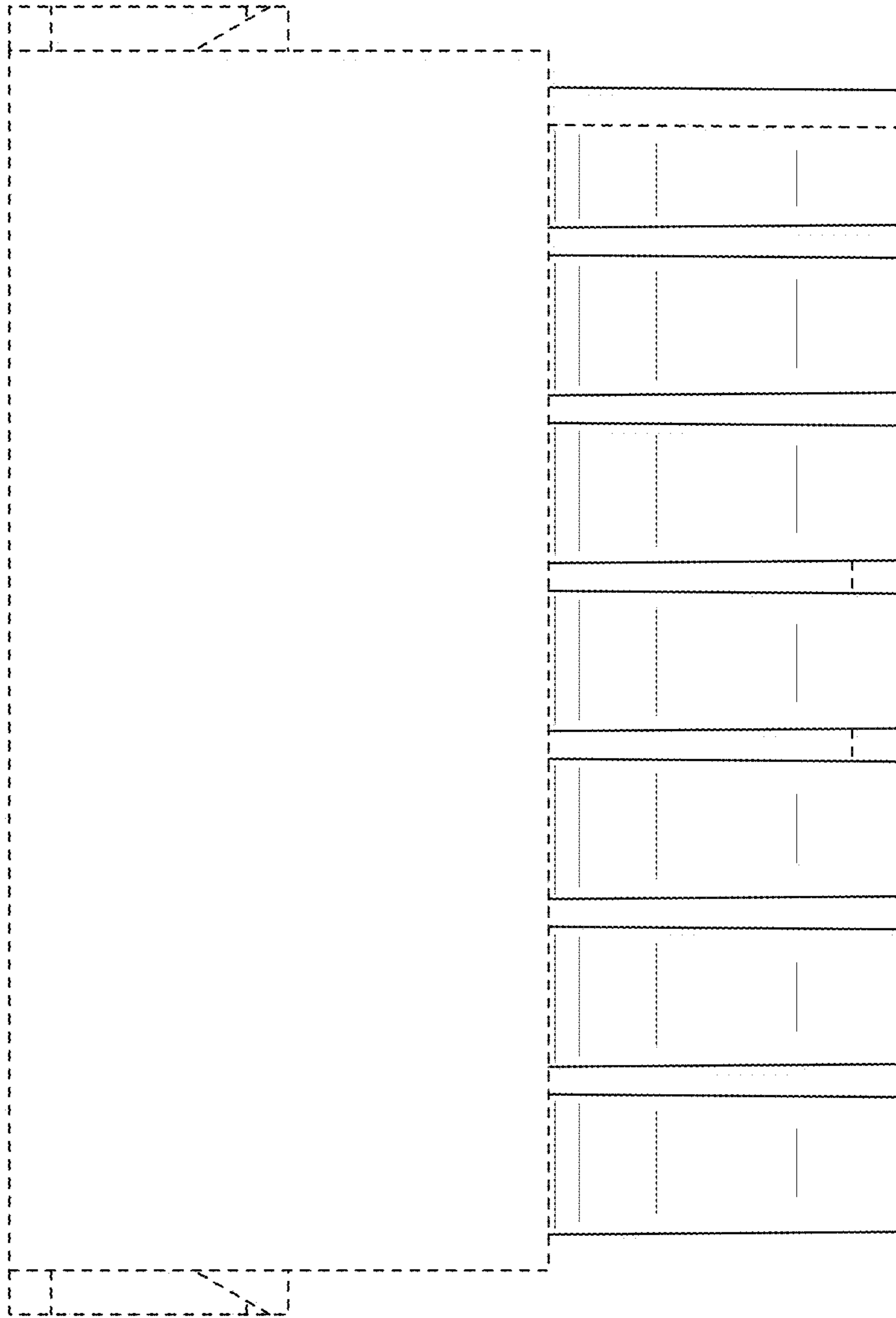


FIG. 88

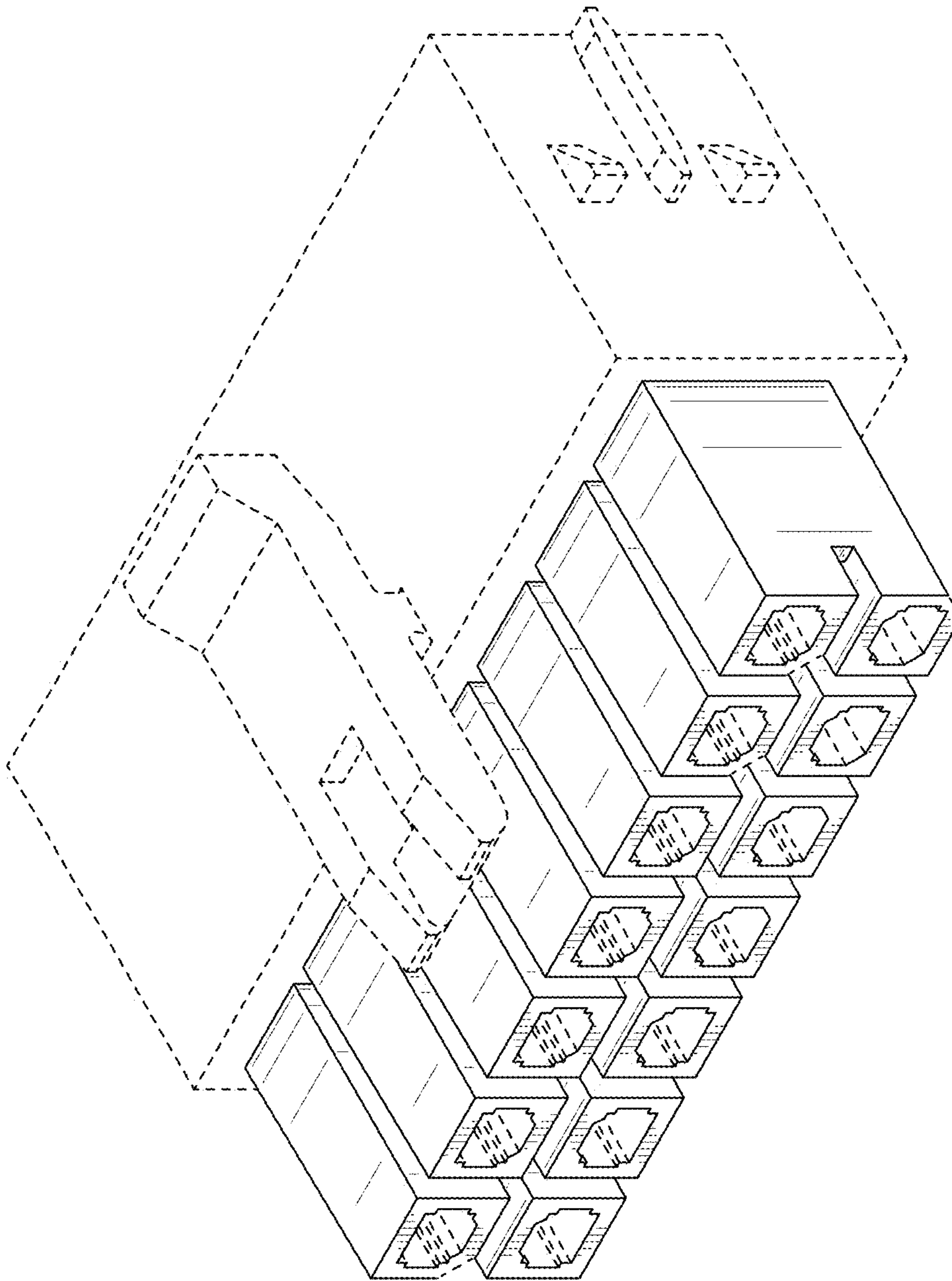


FIG. 89

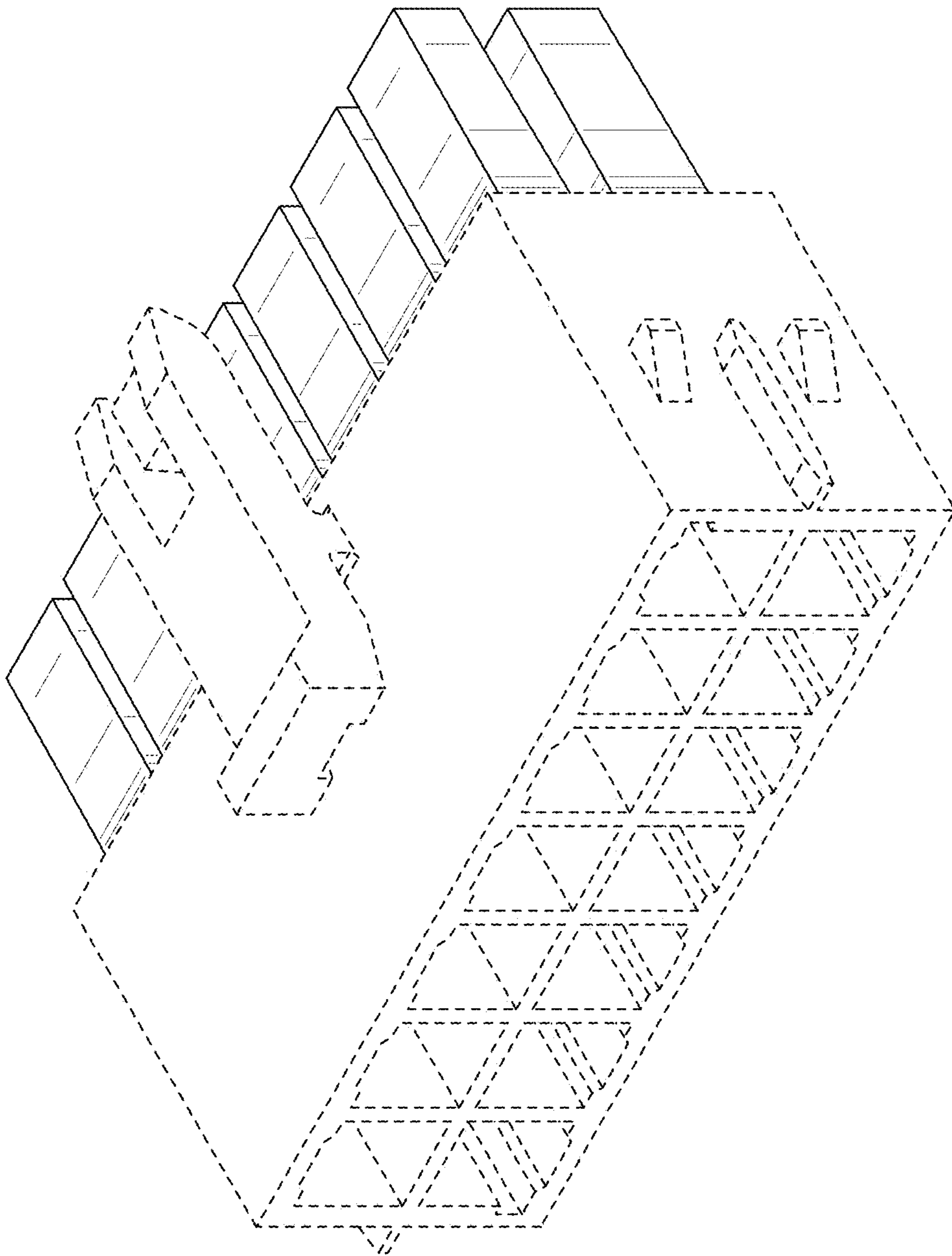


FIG. 90

FIG. 91

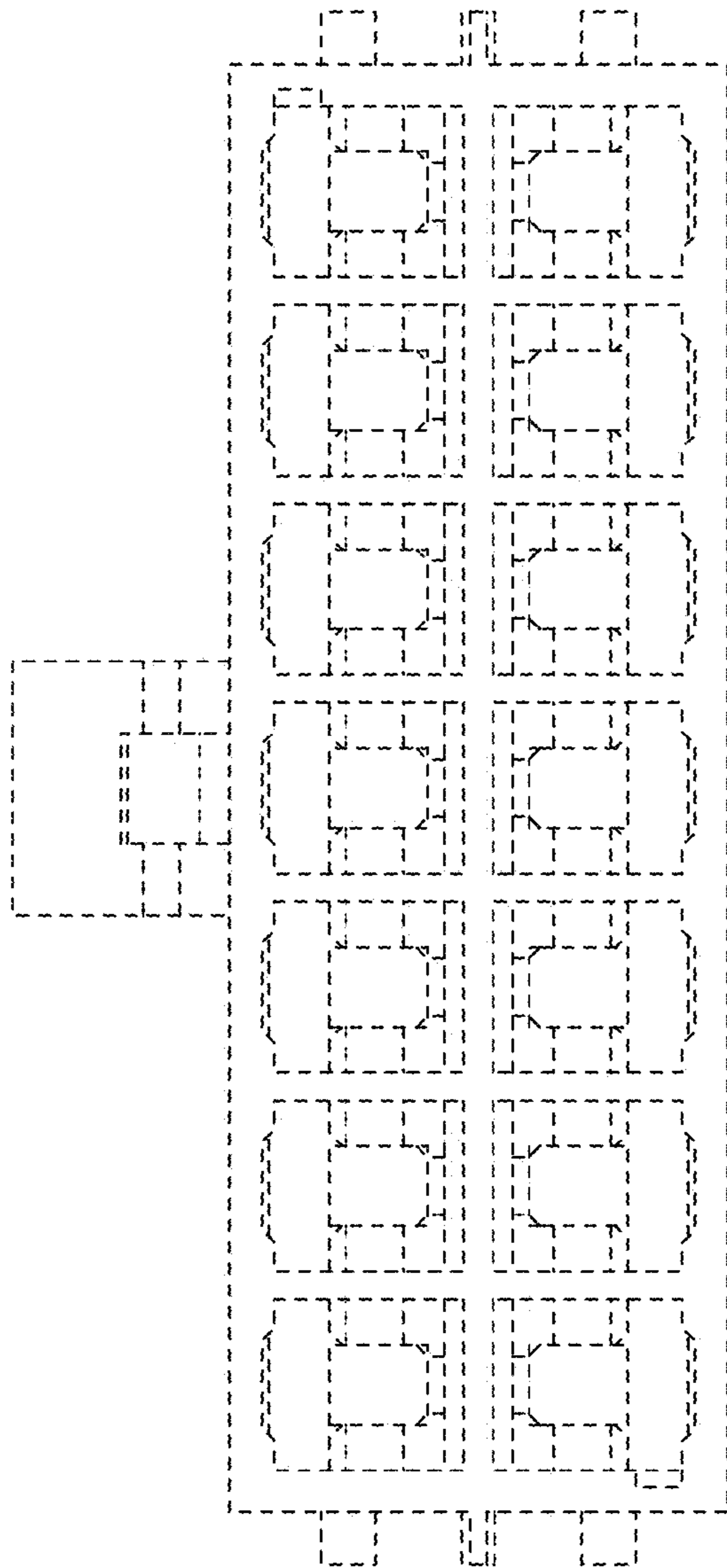
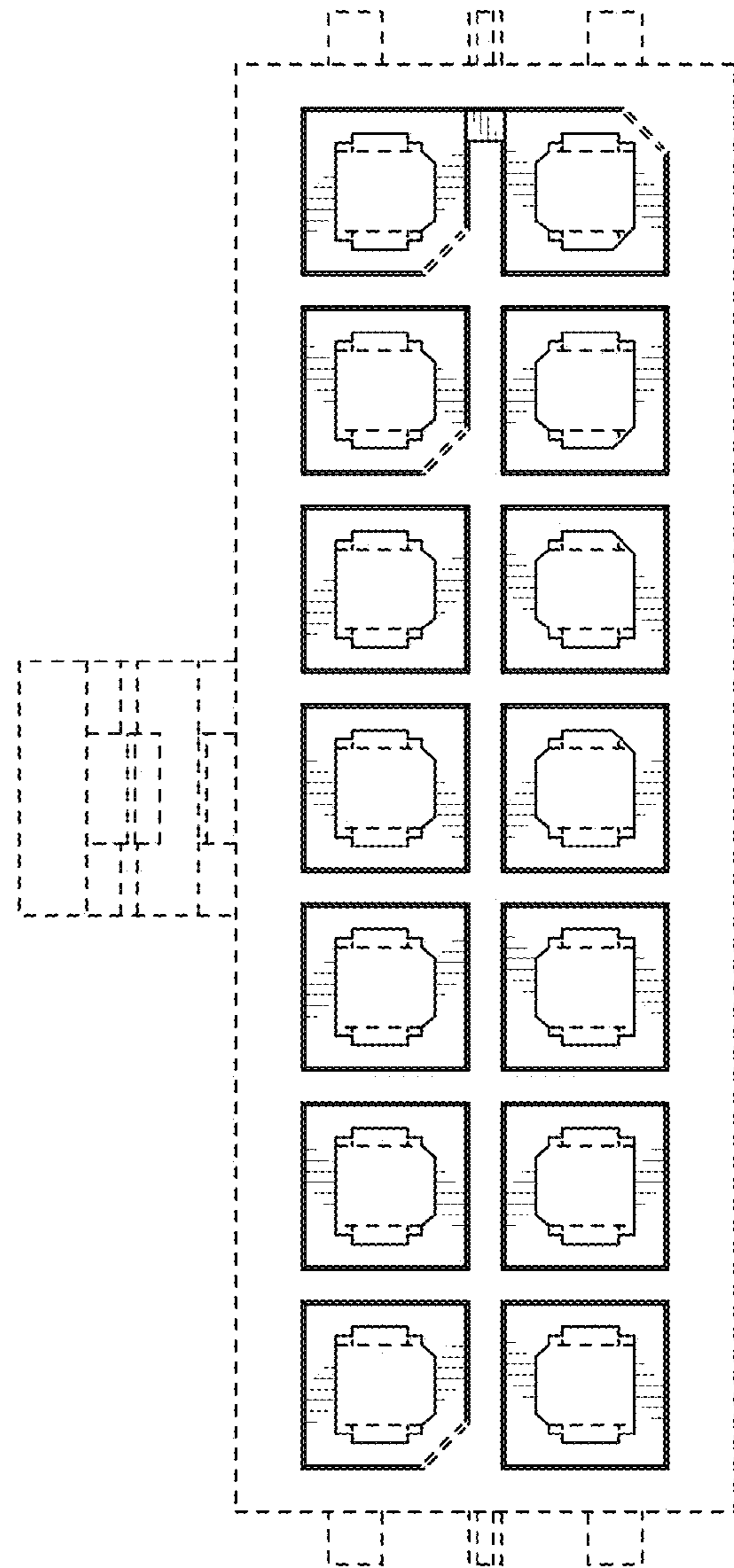


FIG. 92



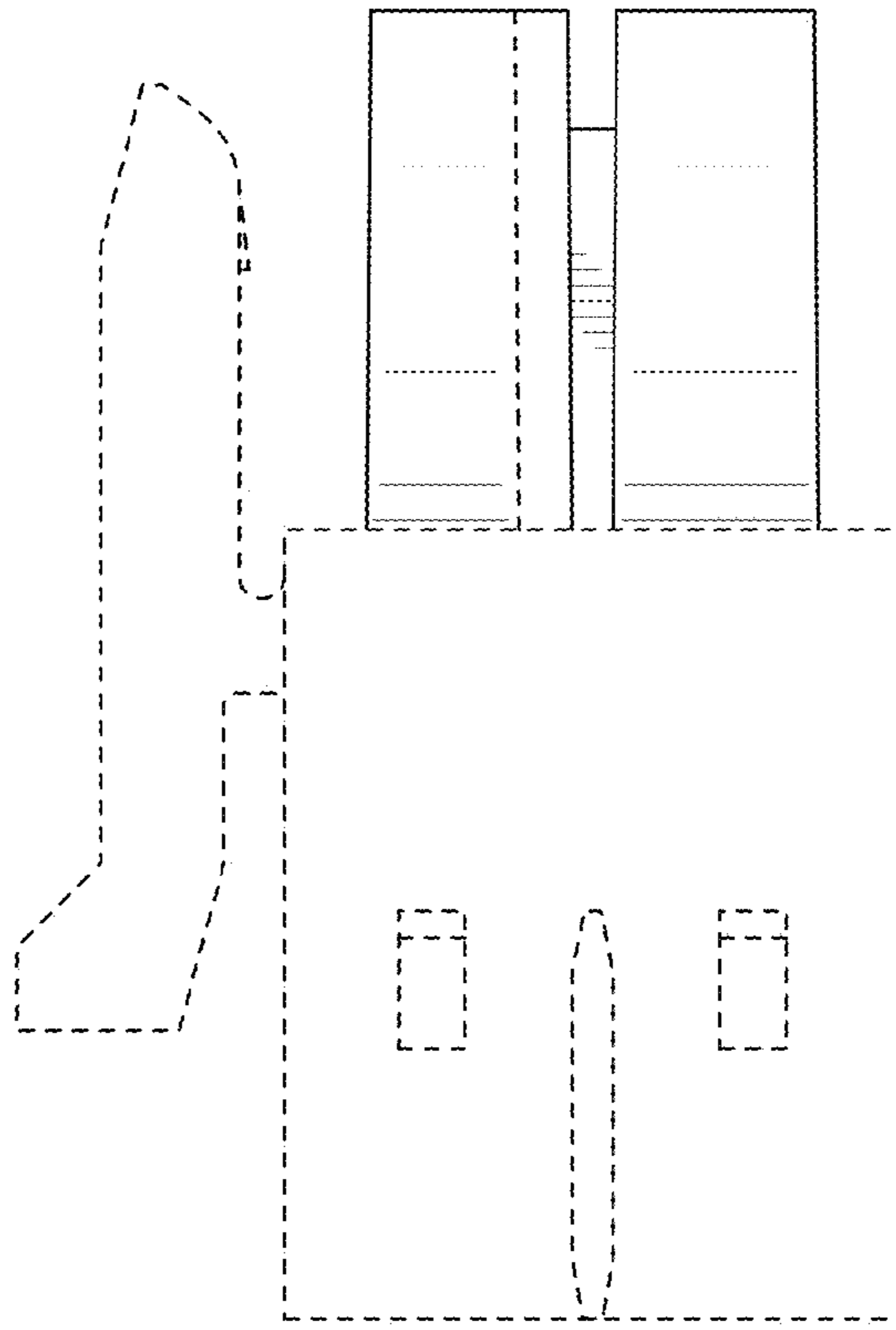


FIG. 94

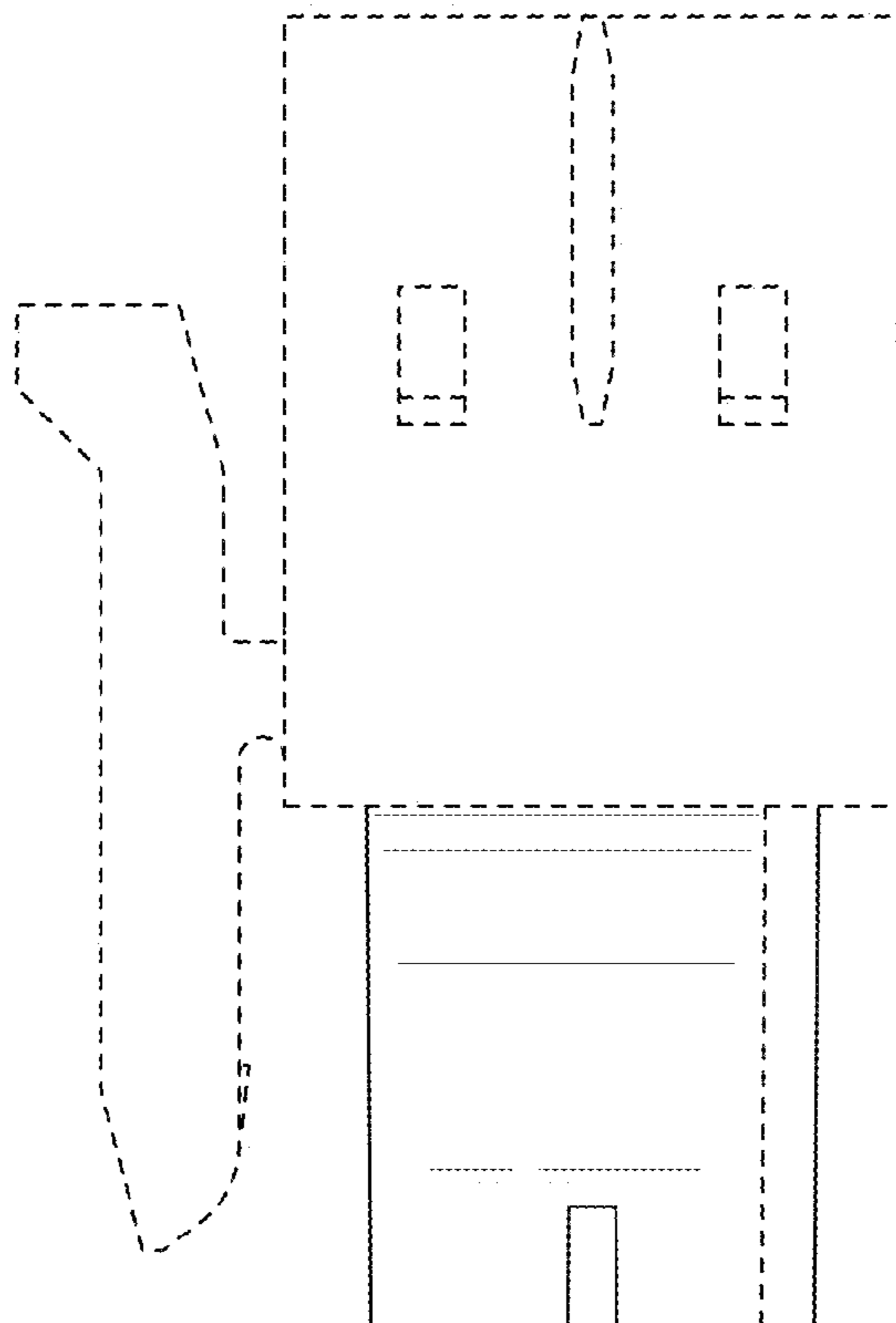


FIG. 93

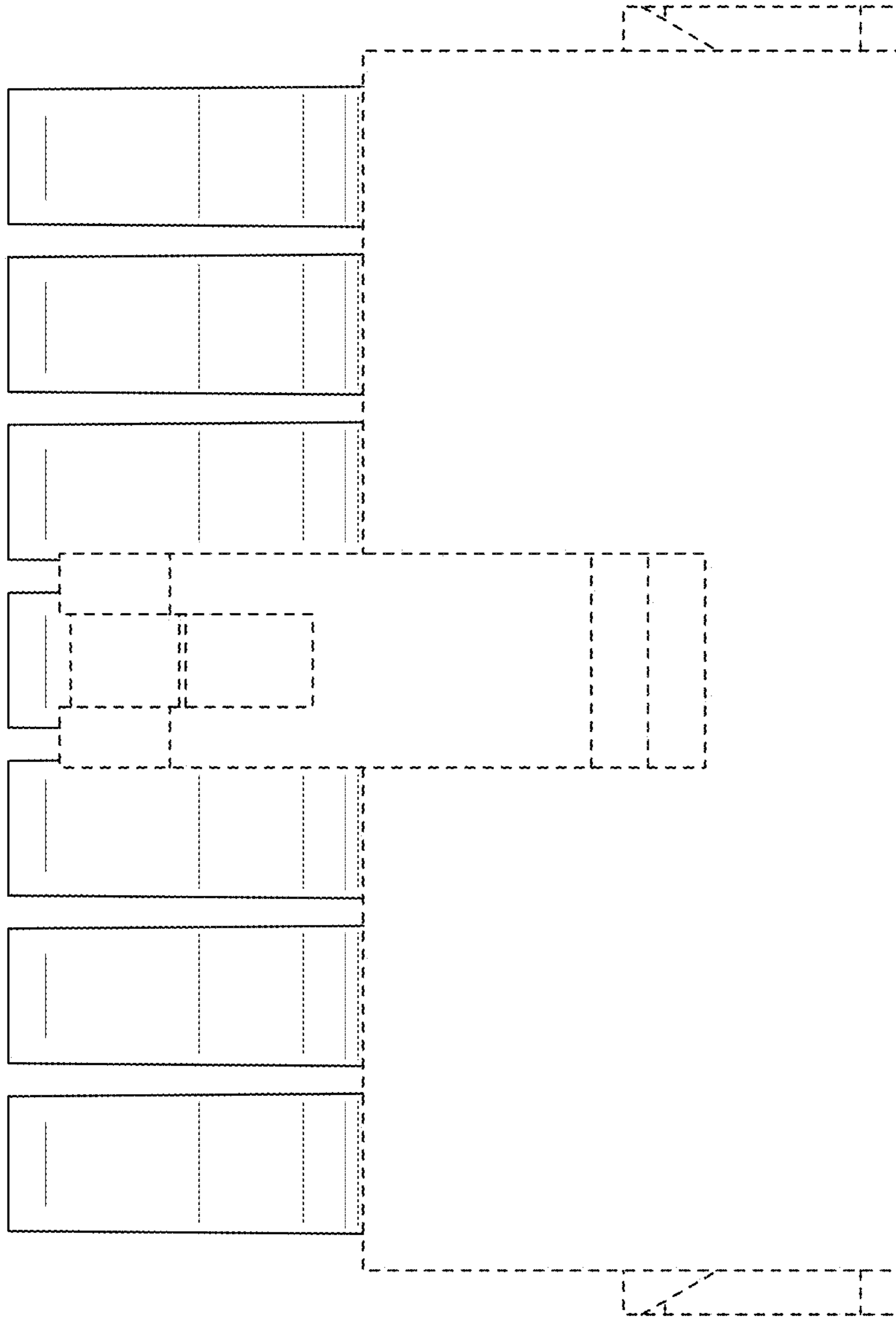


FIG. 95

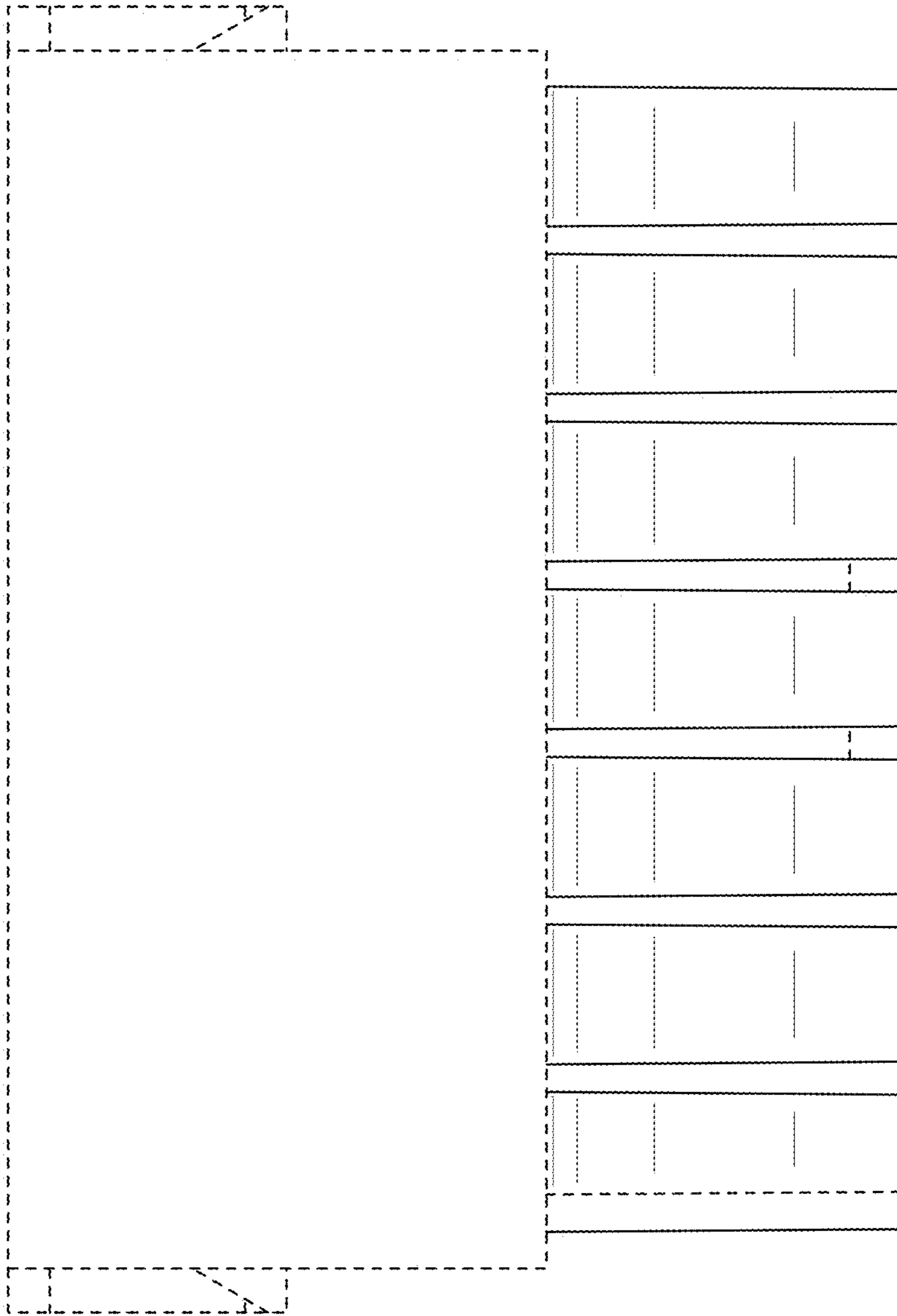


FIG. 96

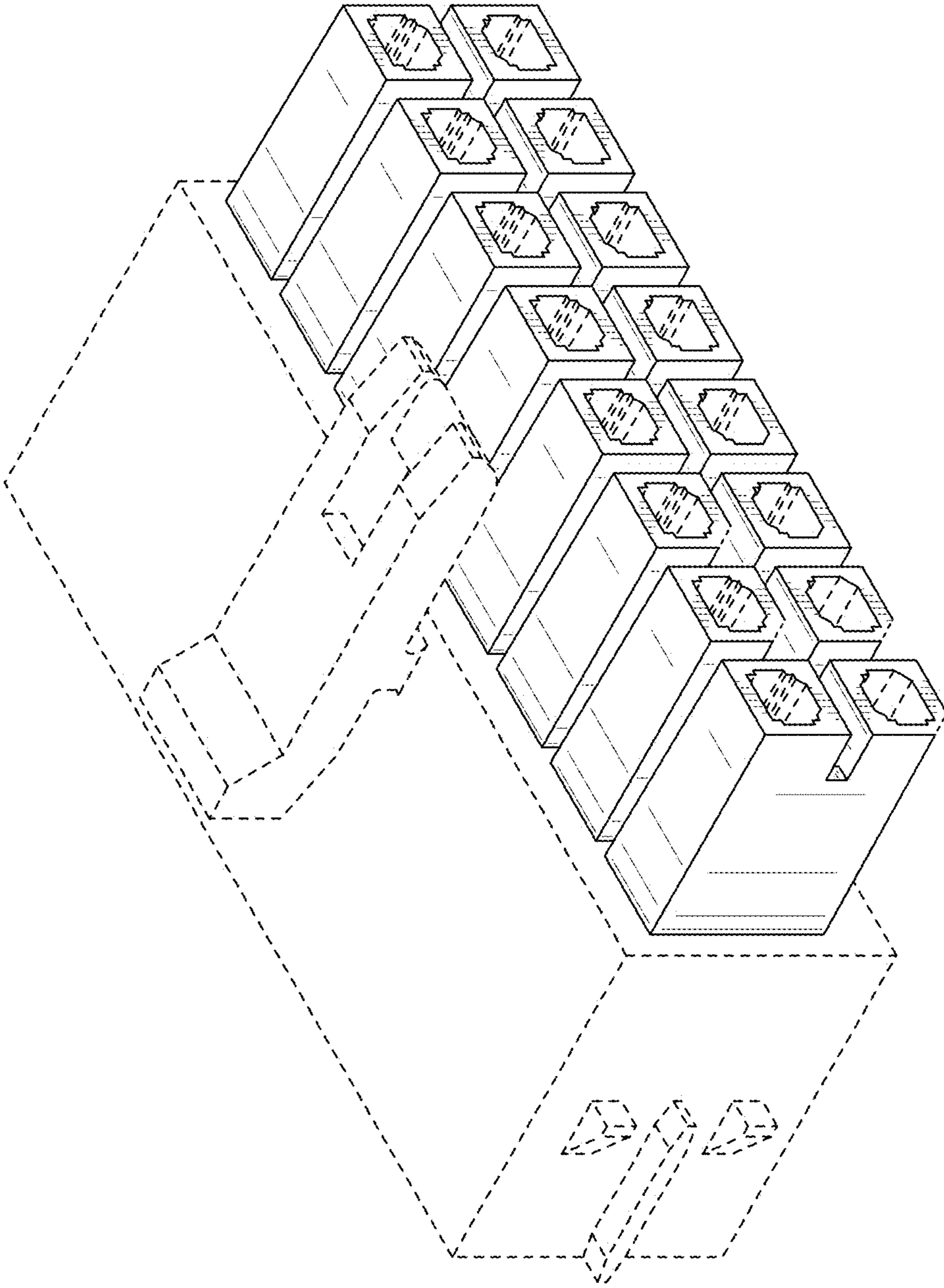


FIG. 97



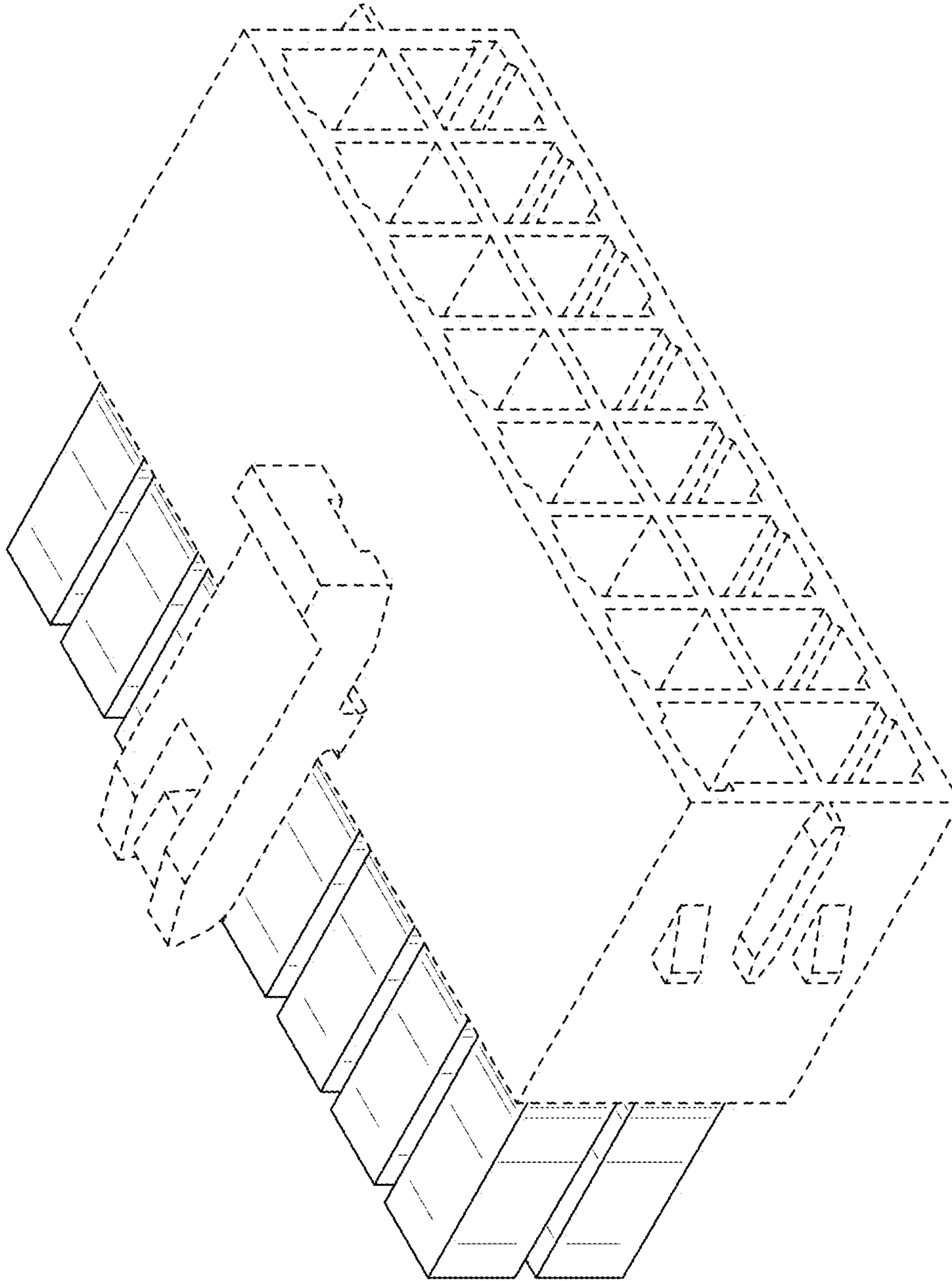


FIG. 98

FIG. 99

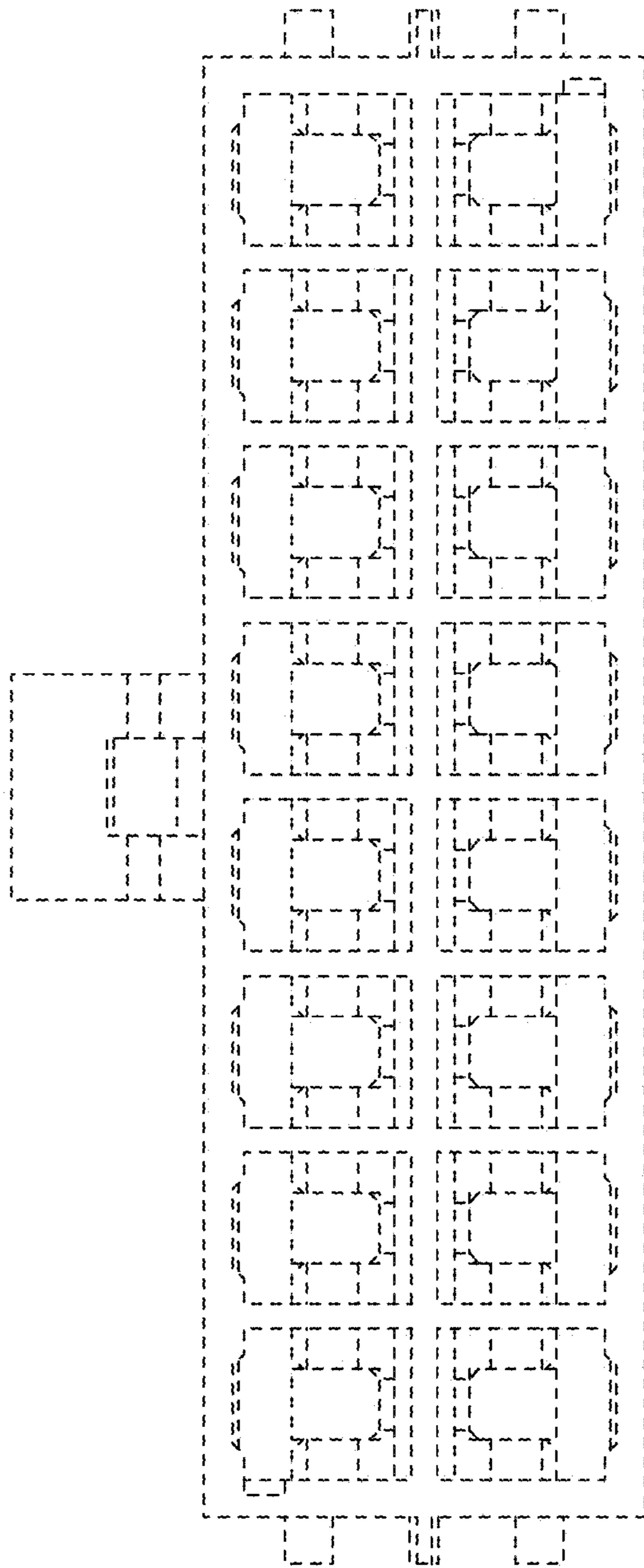
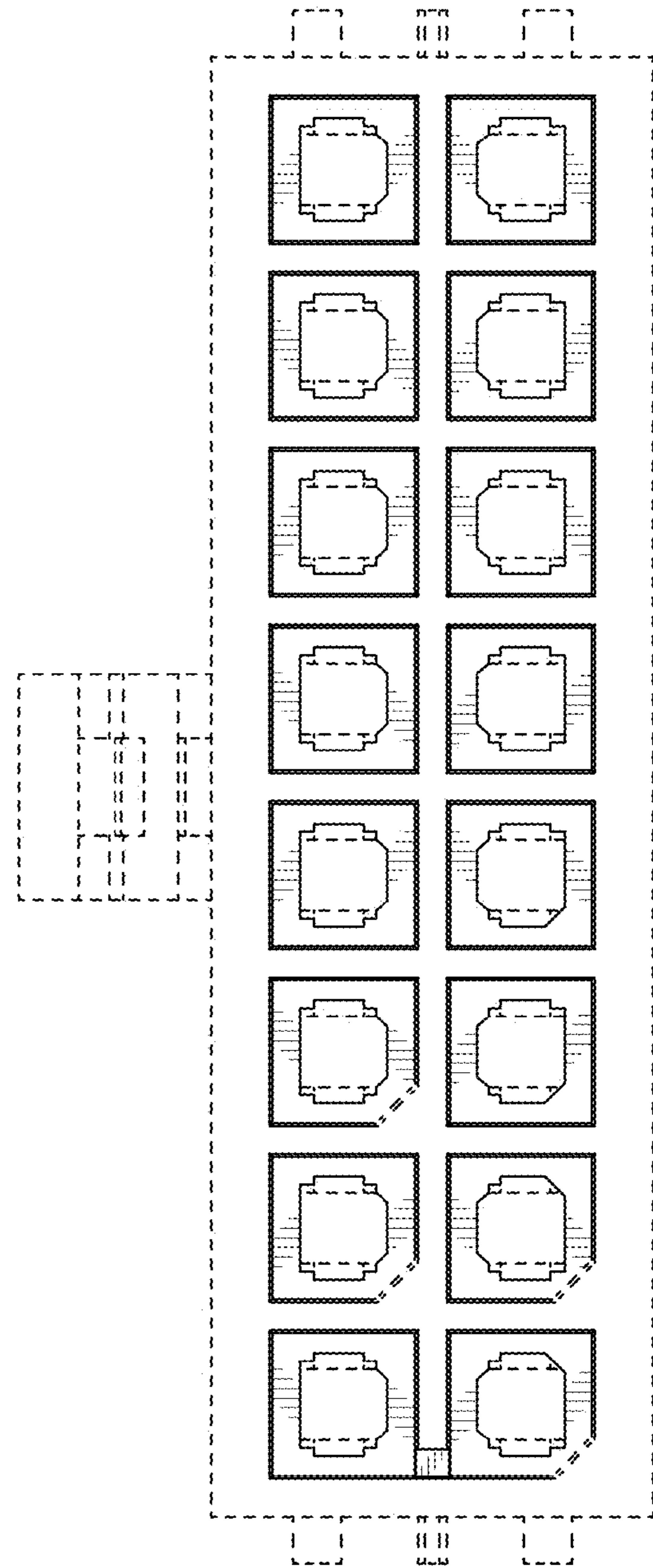


FIG. 100



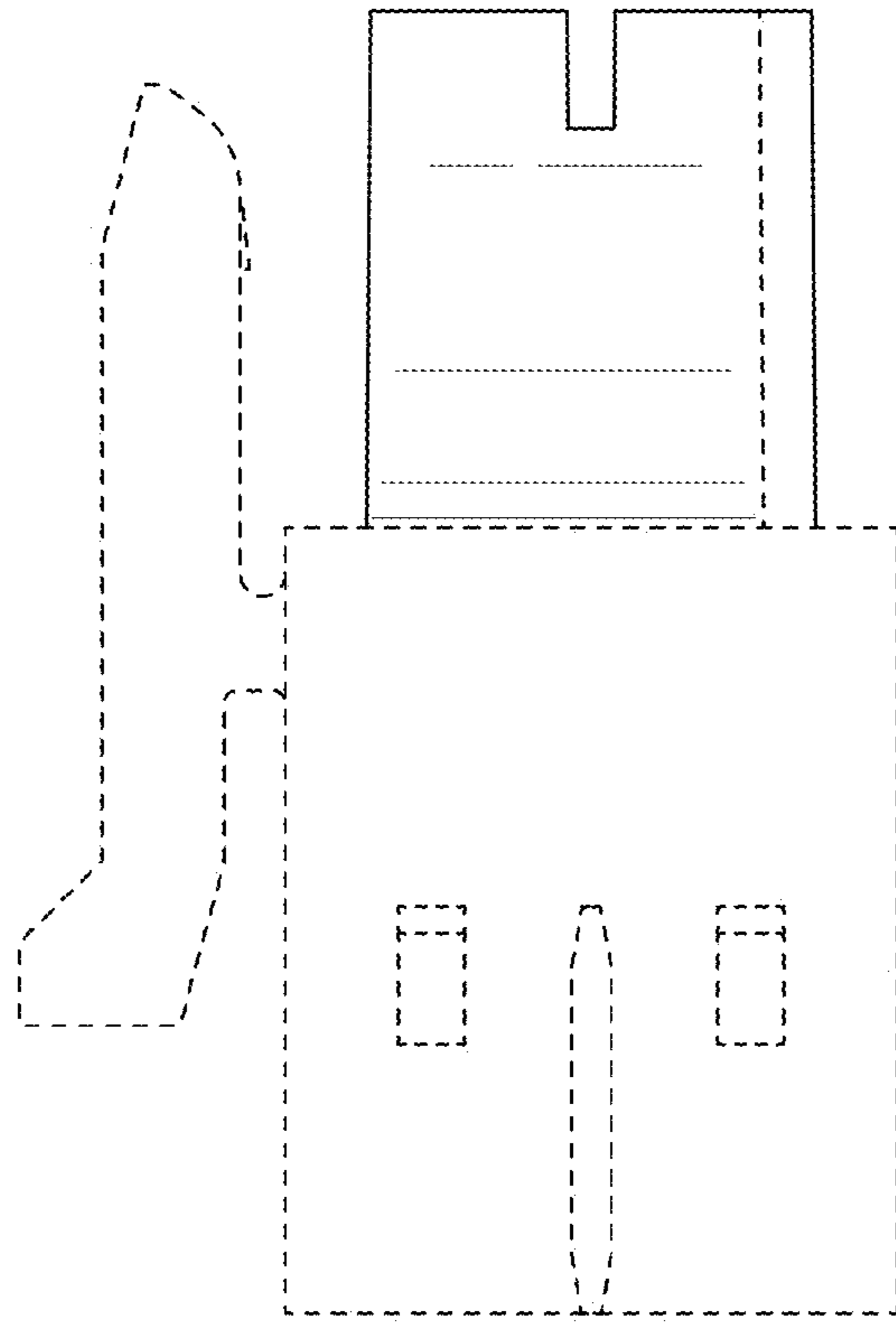


FIG. 102

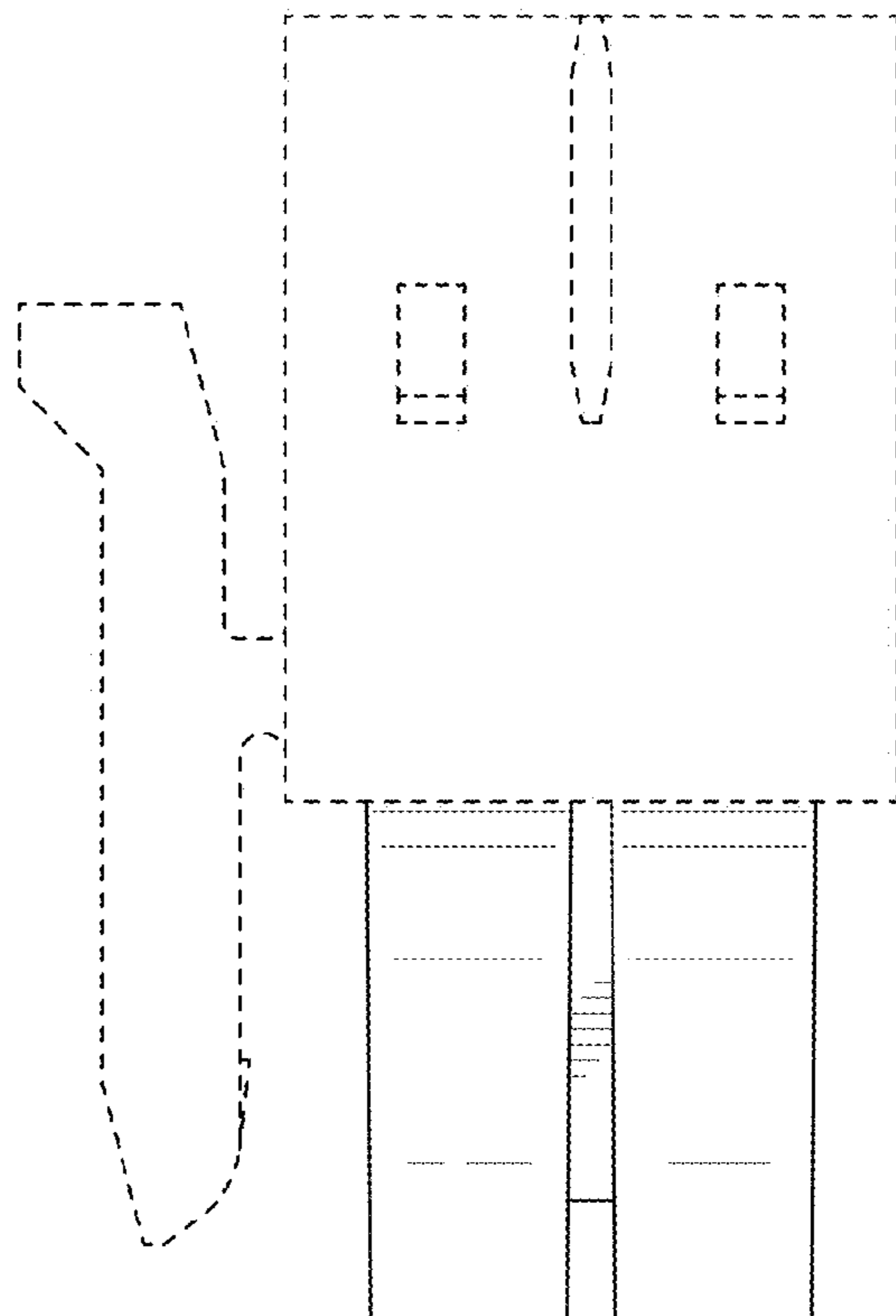


FIG. 101

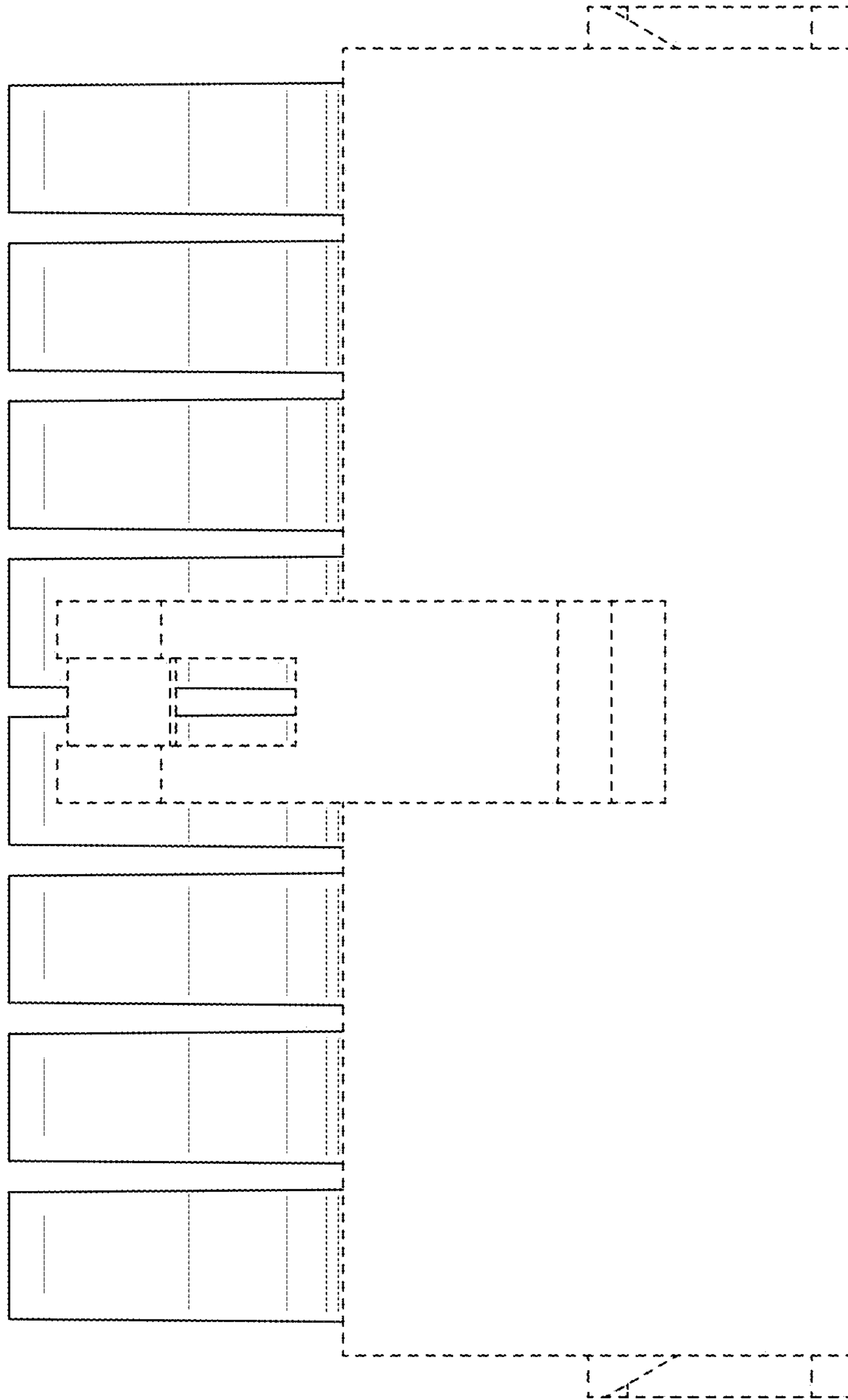


FIG. 103

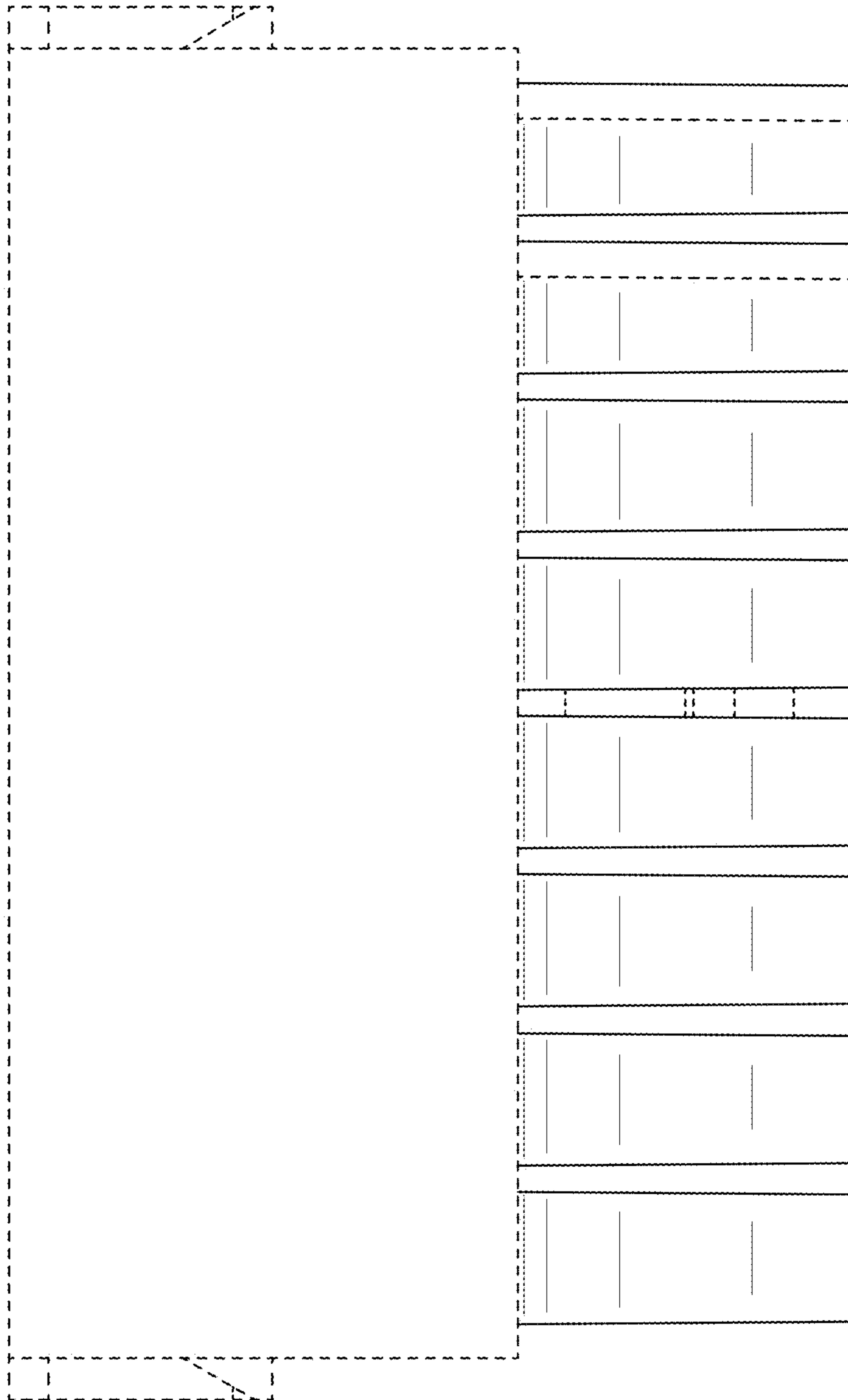


FIG. 104

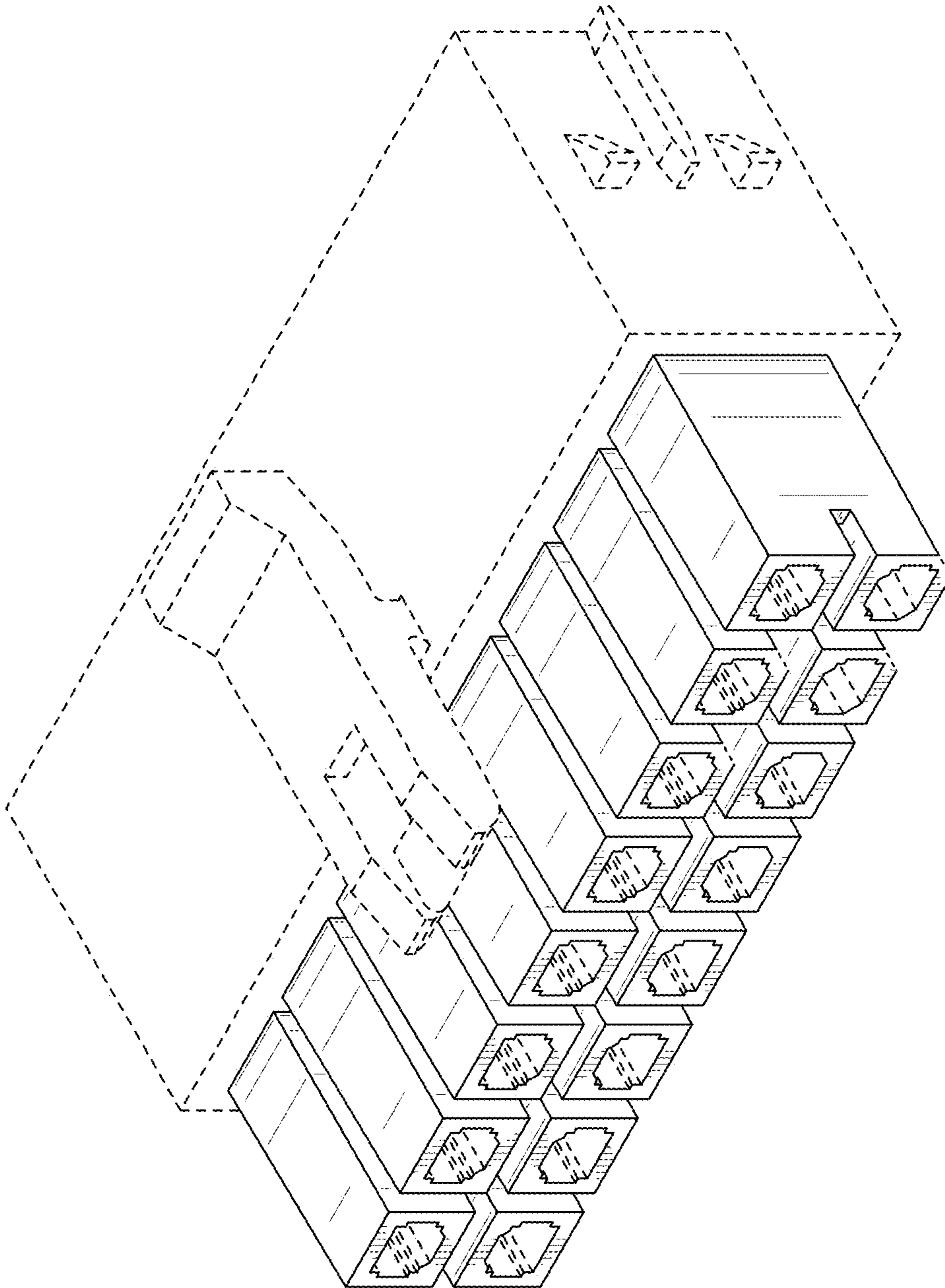


FIG. 105

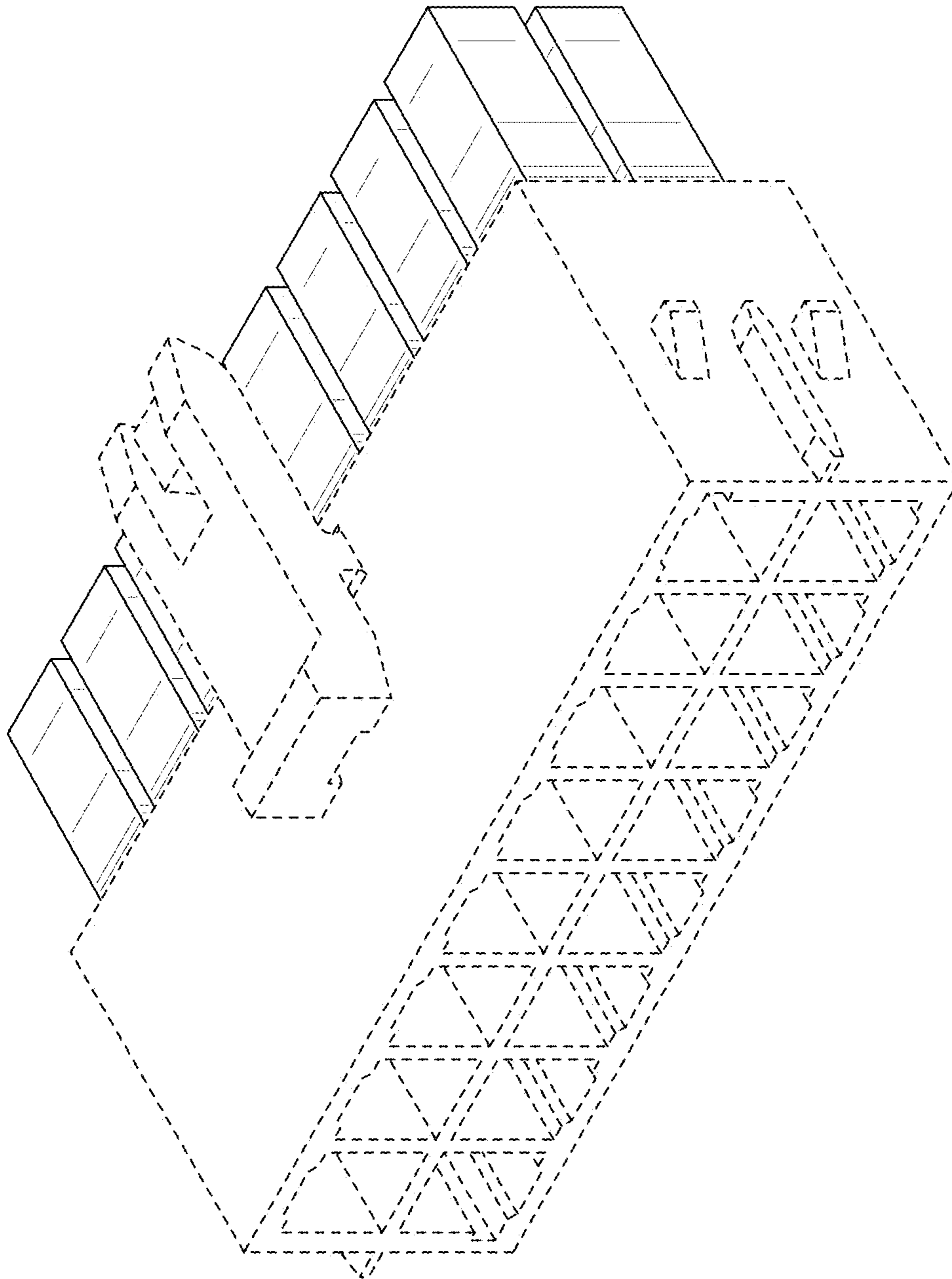


FIG. 106

FIG. 107

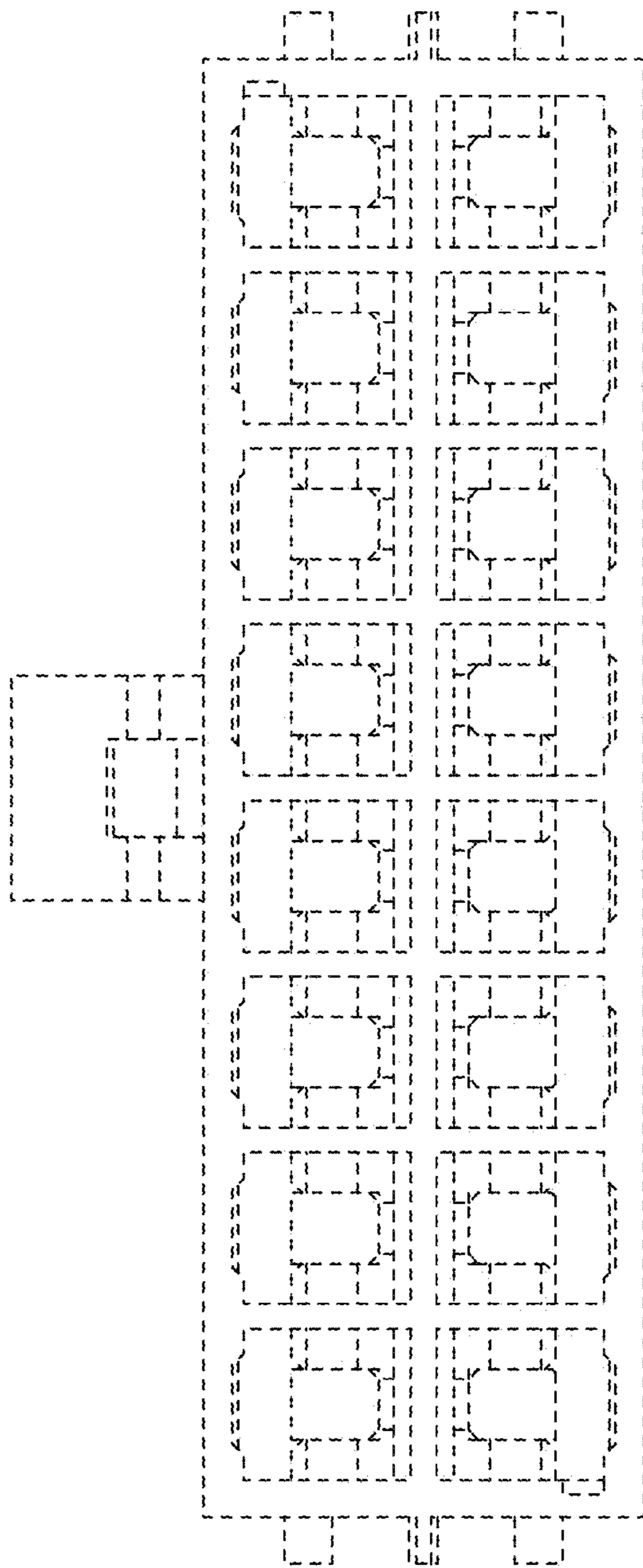
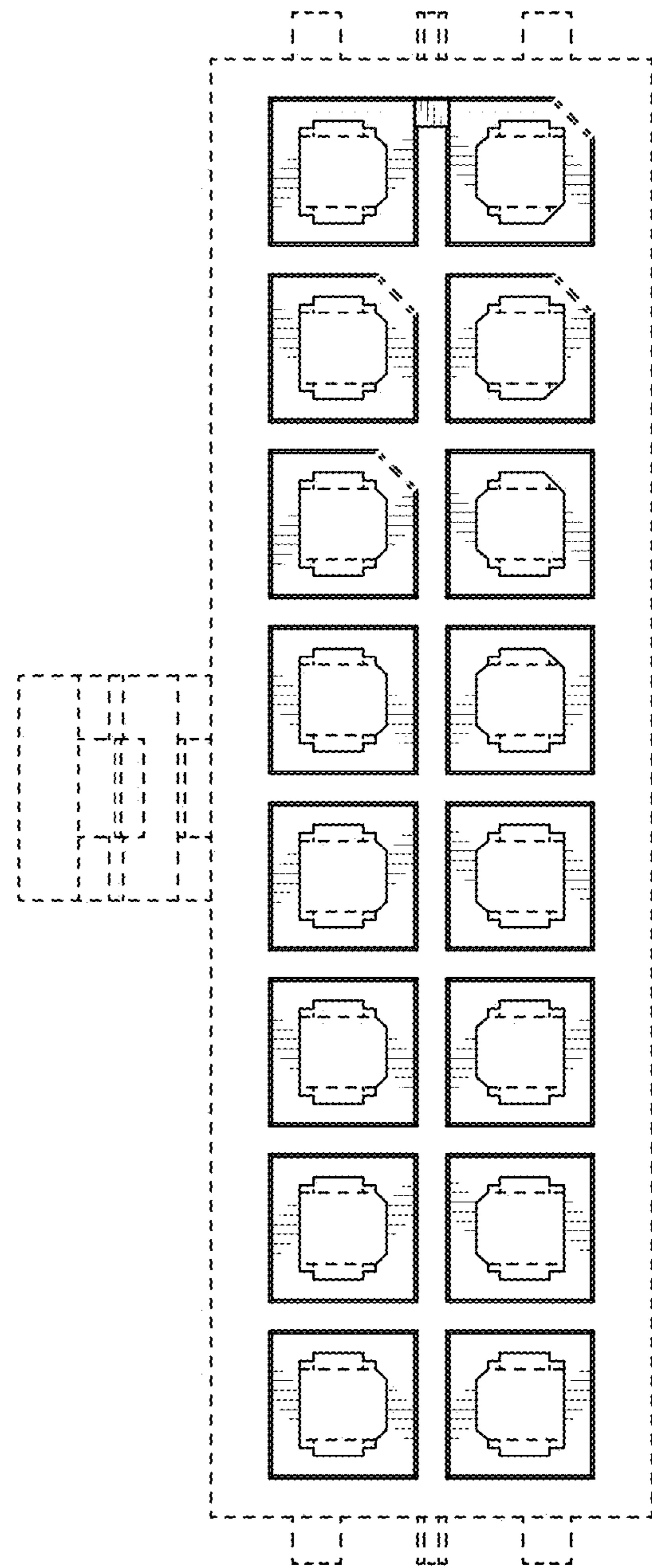


FIG. 108





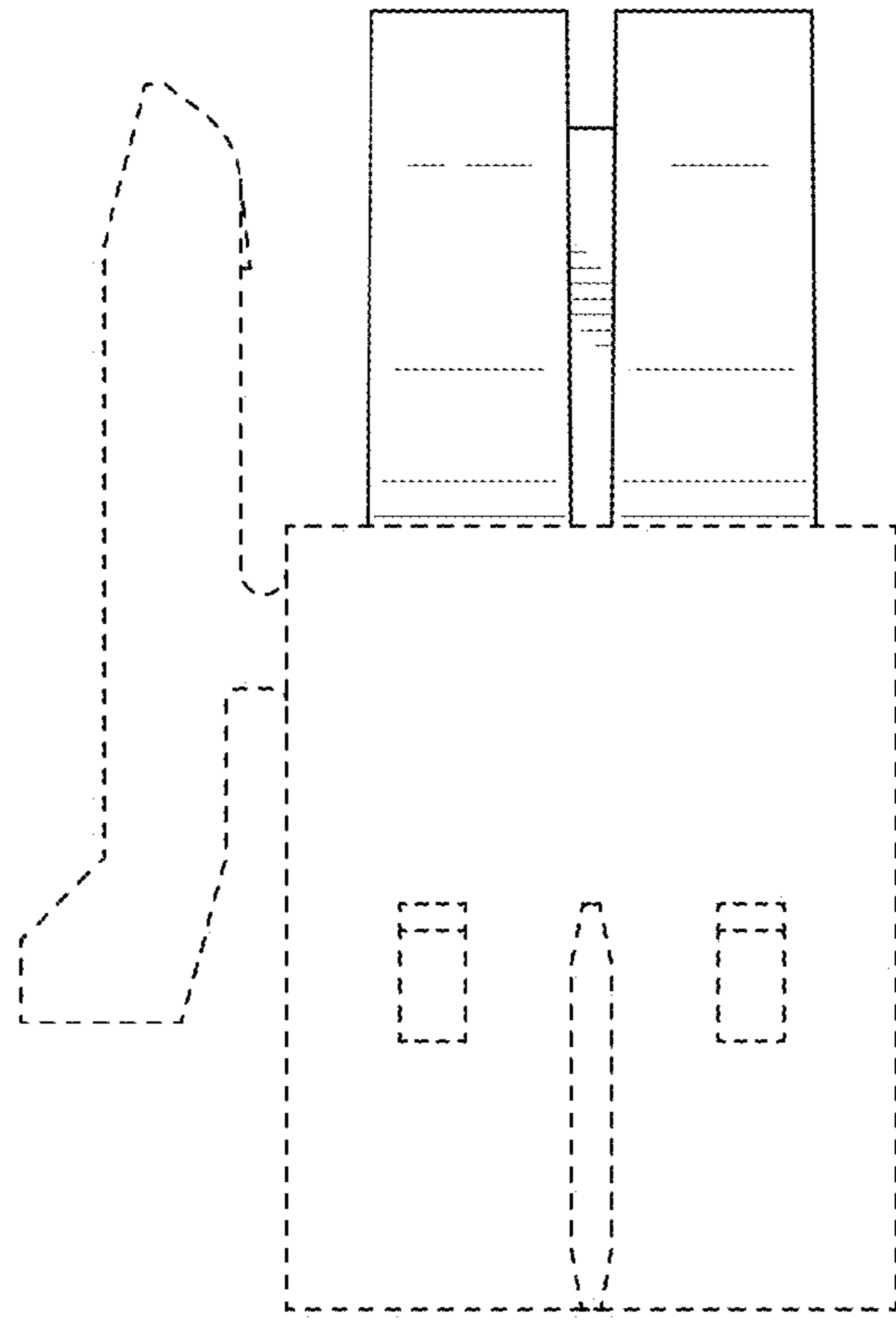


FIG. 110

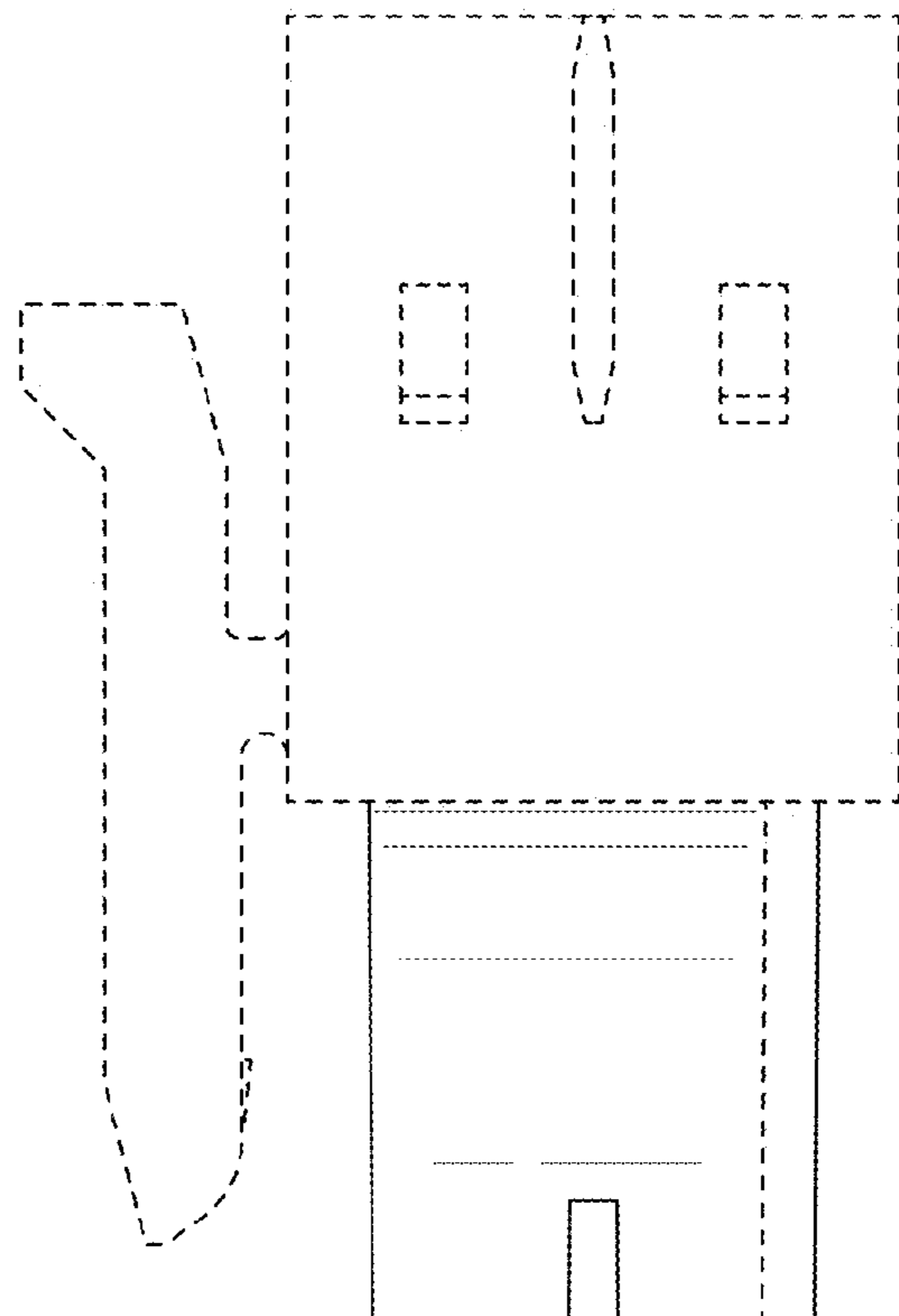


FIG. 109

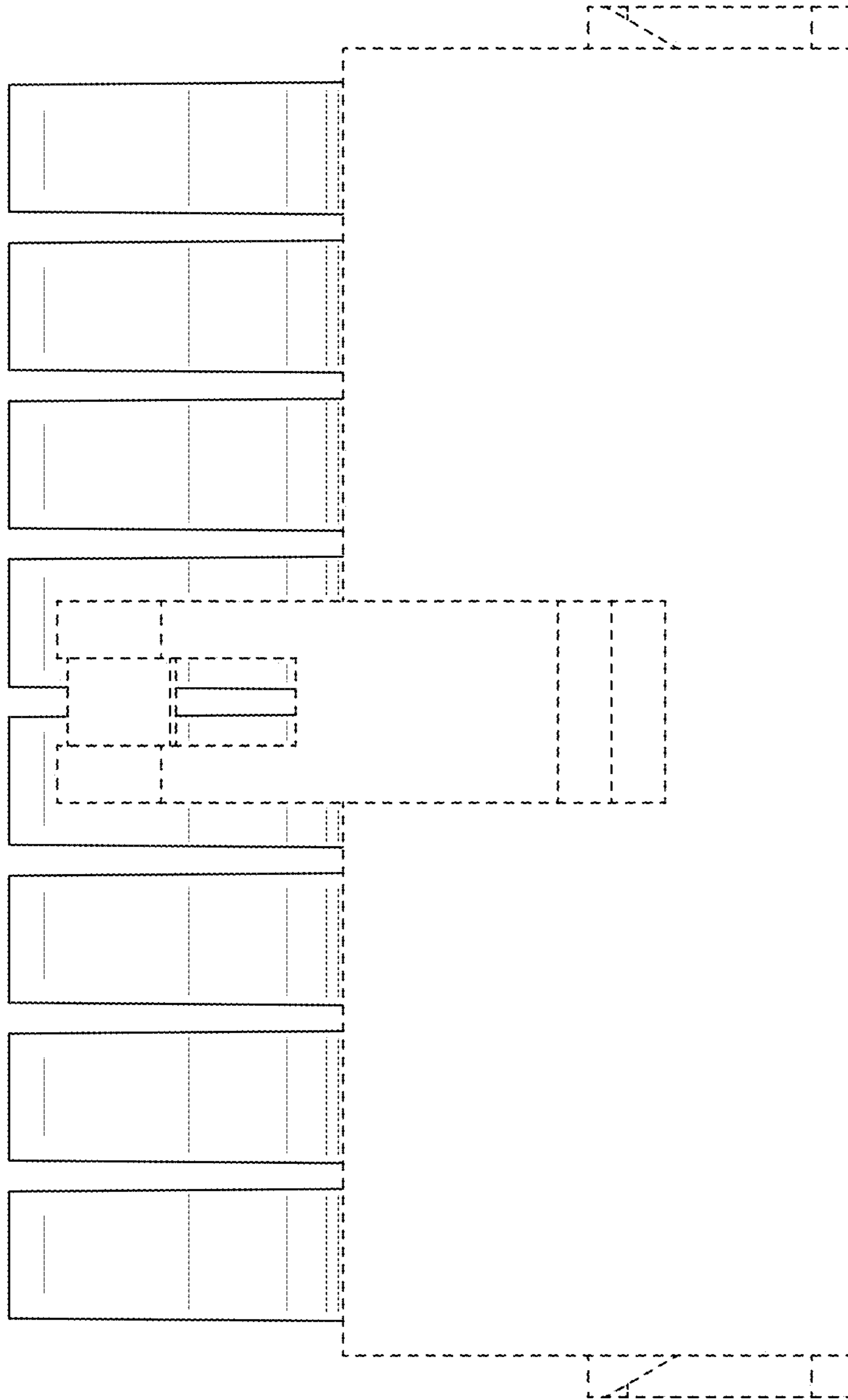


FIG. 111

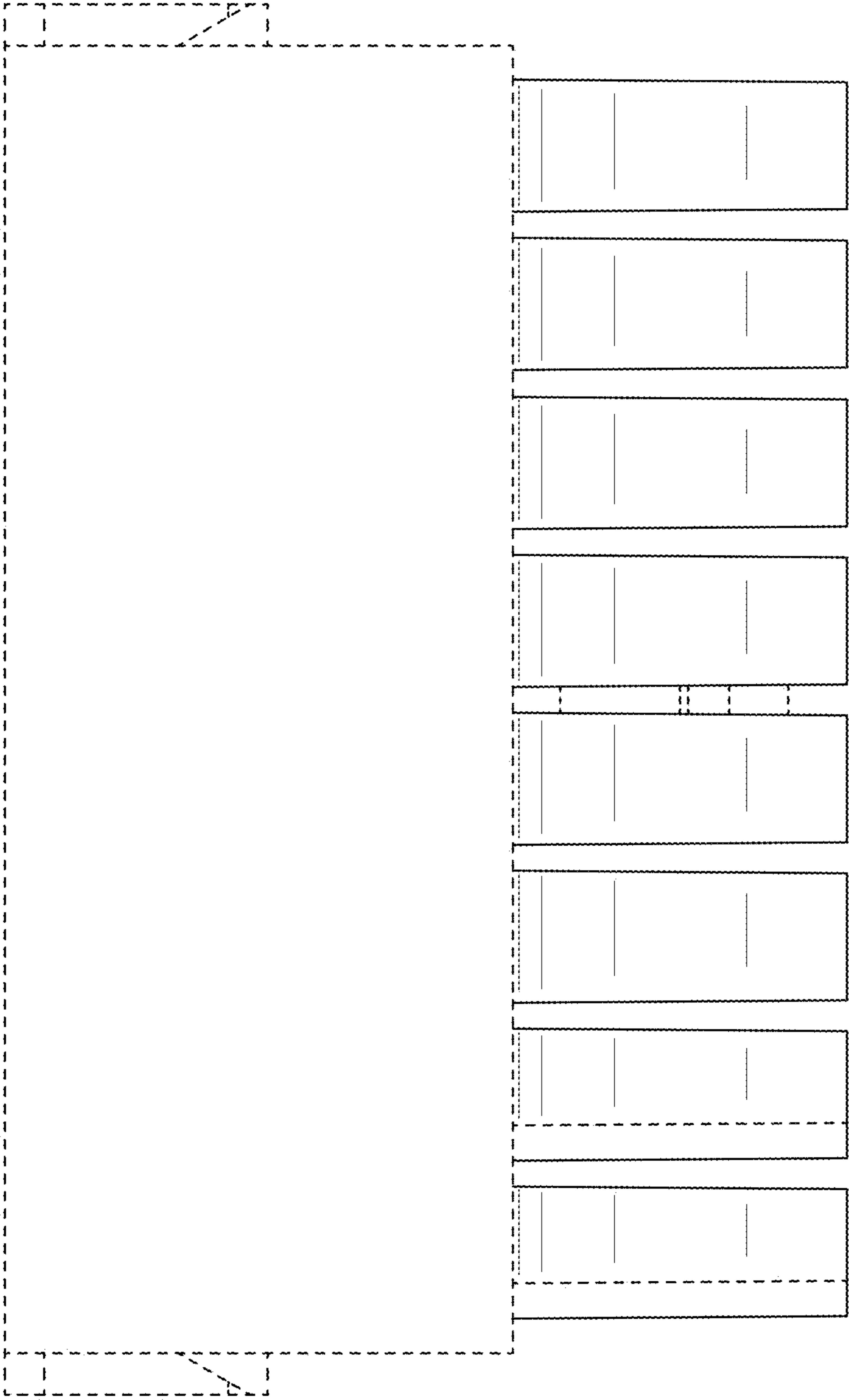


FIG. 112

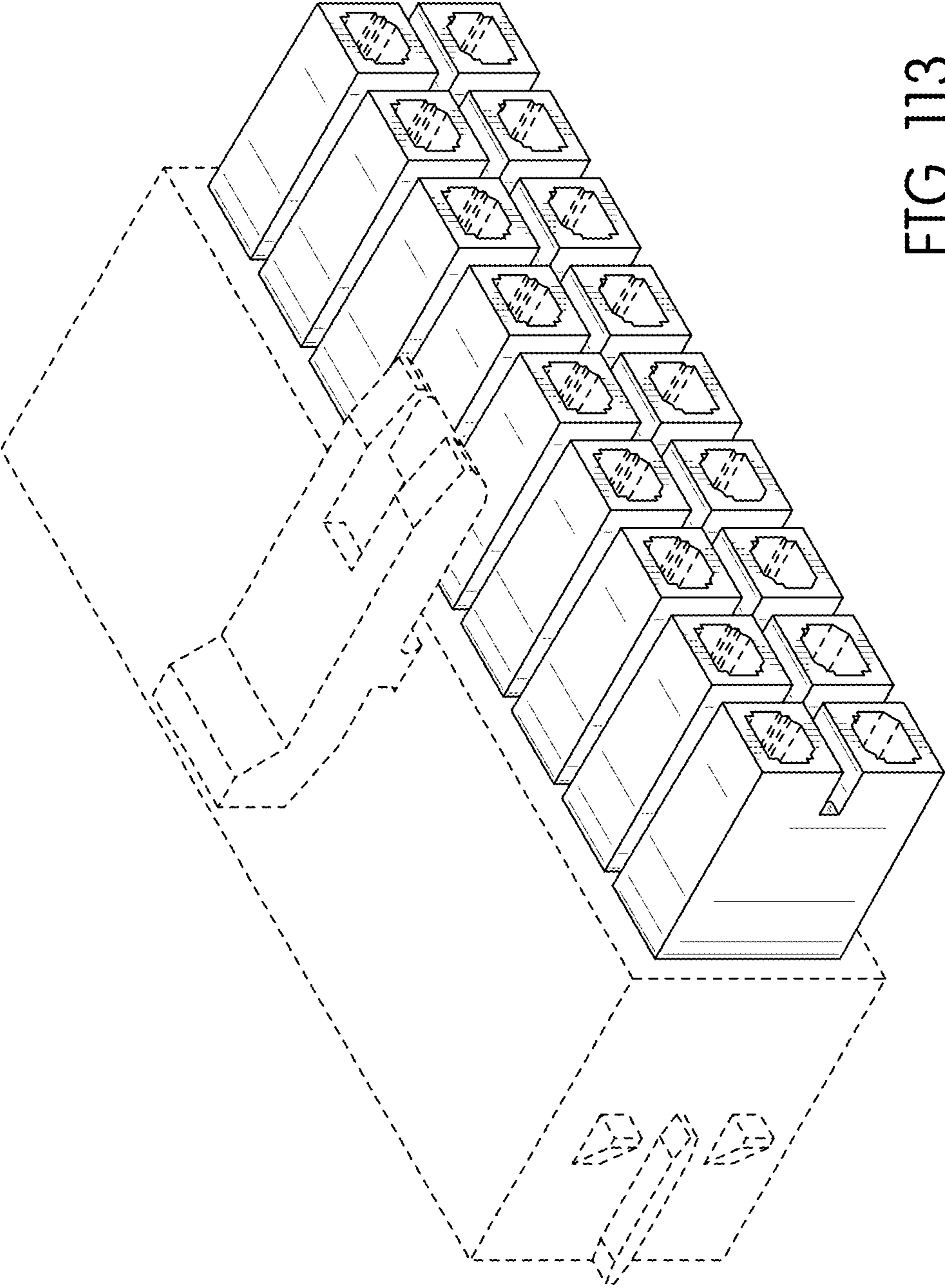


FIG. 113

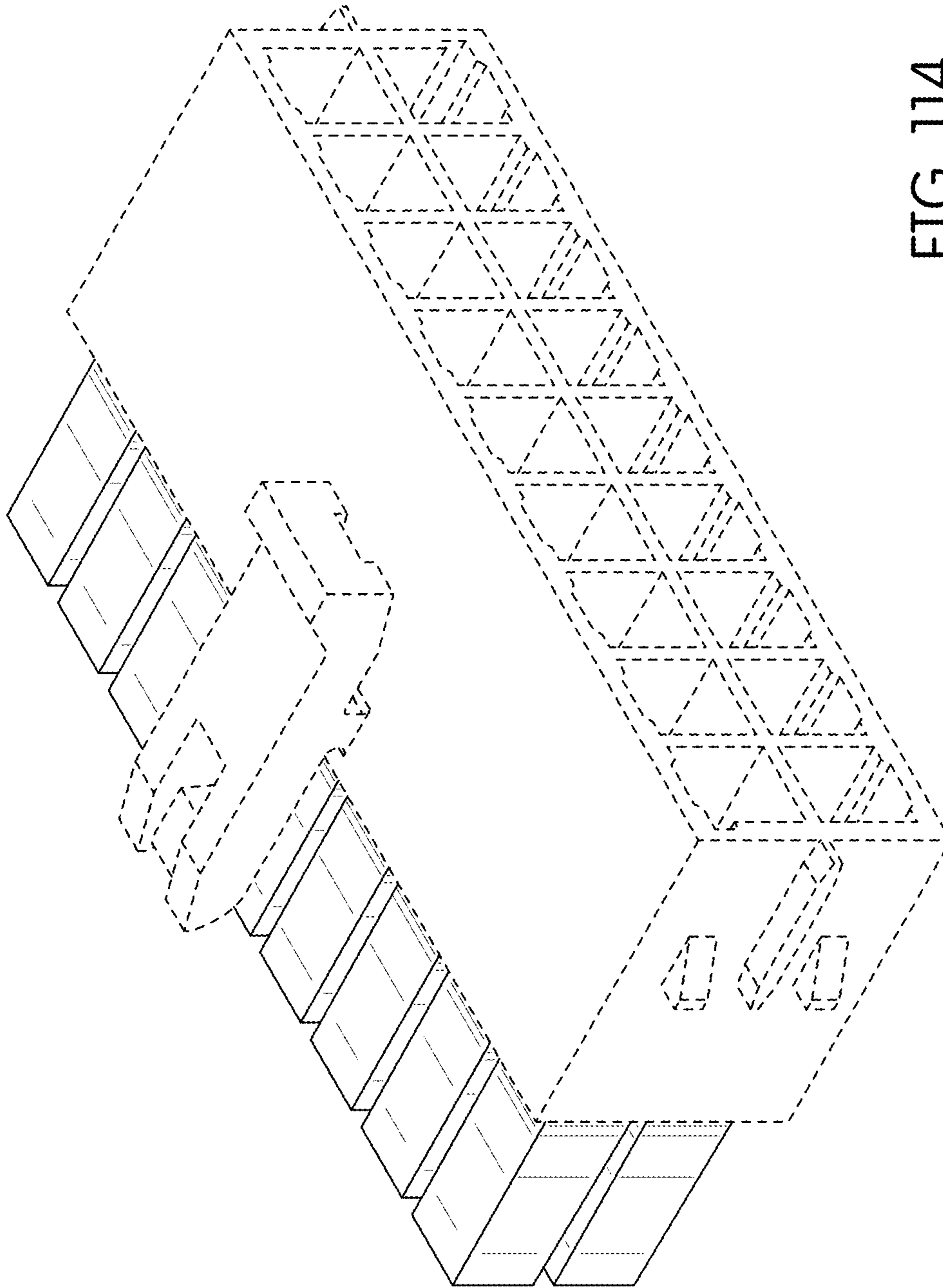


FIG. 114

FIG. 115

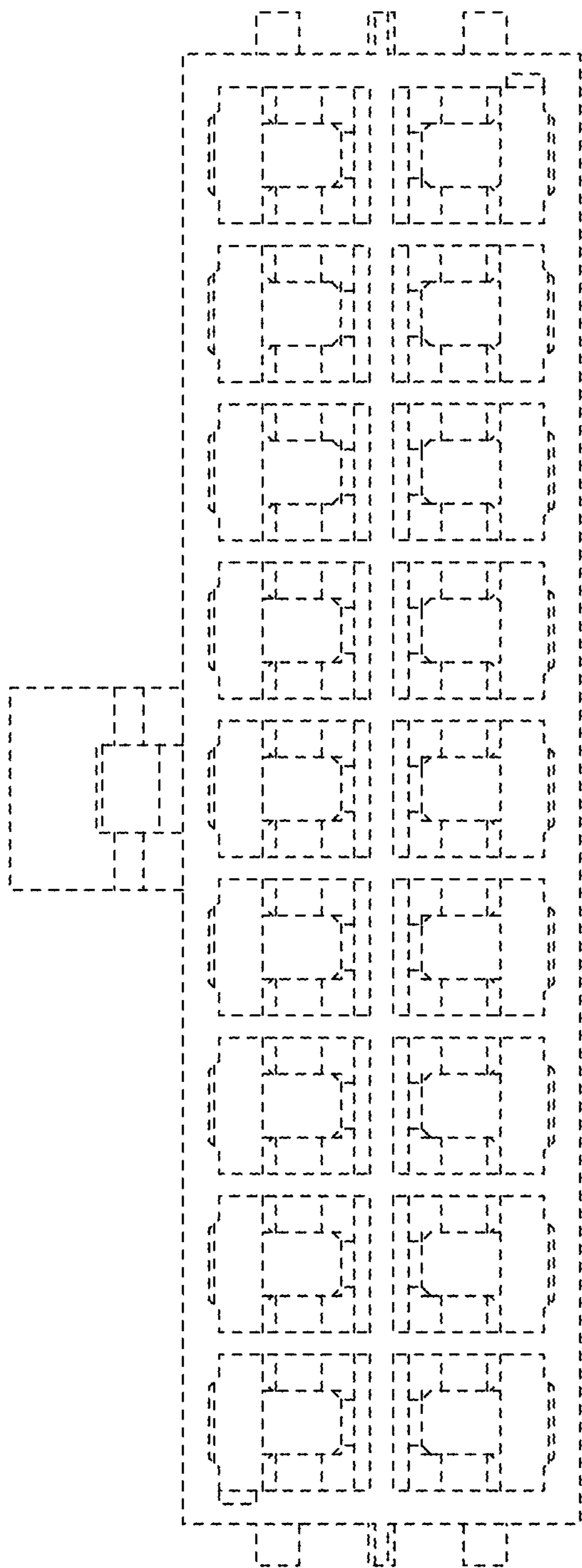
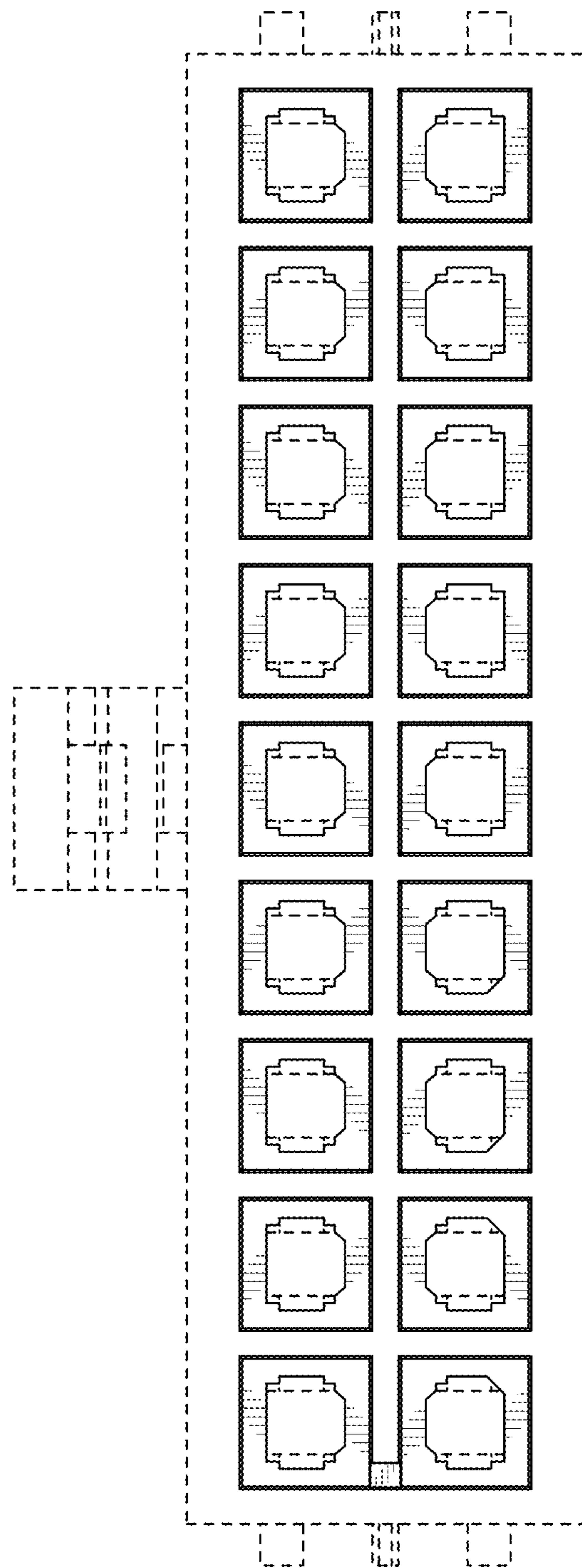


FIG. 116



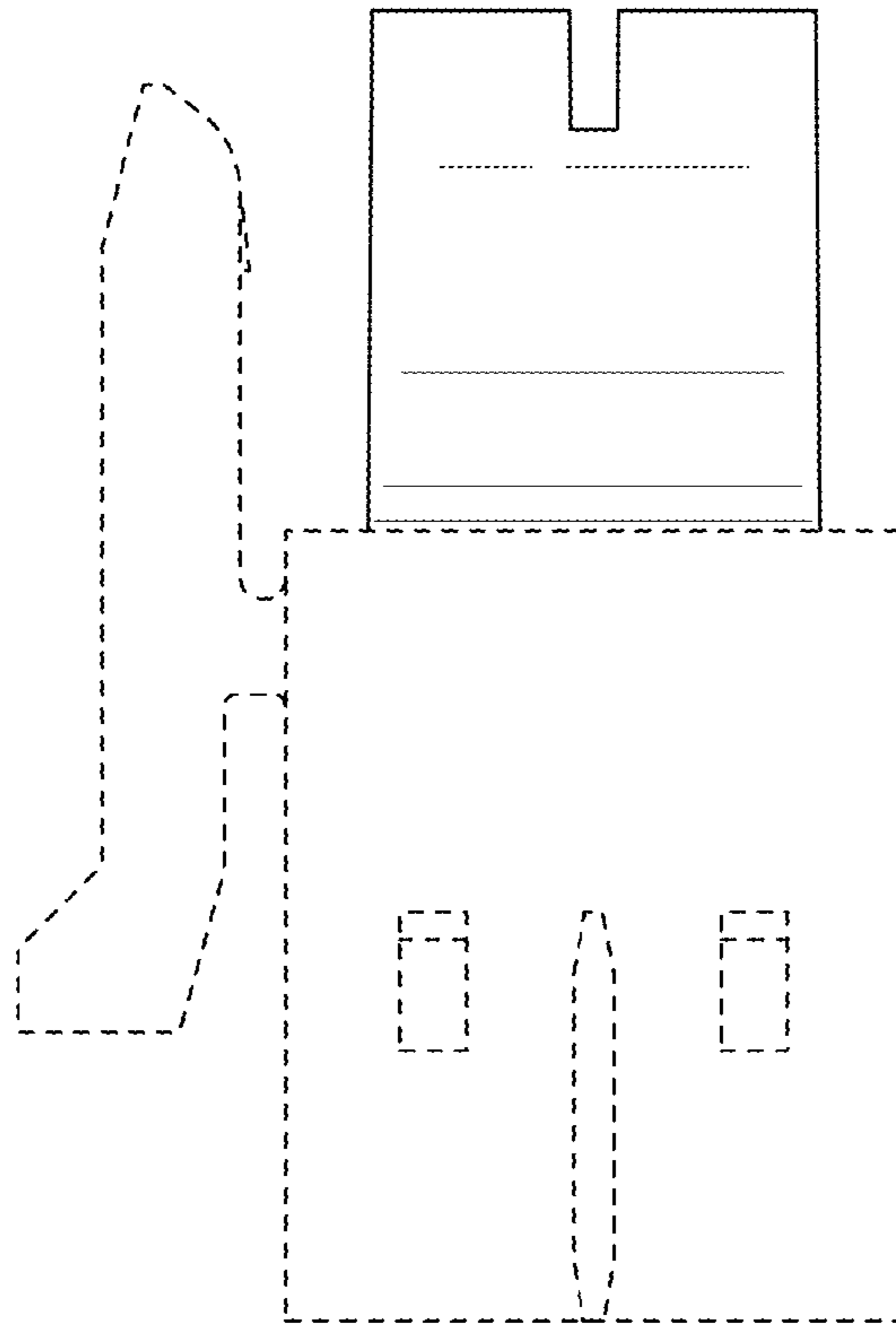


FIG. 118

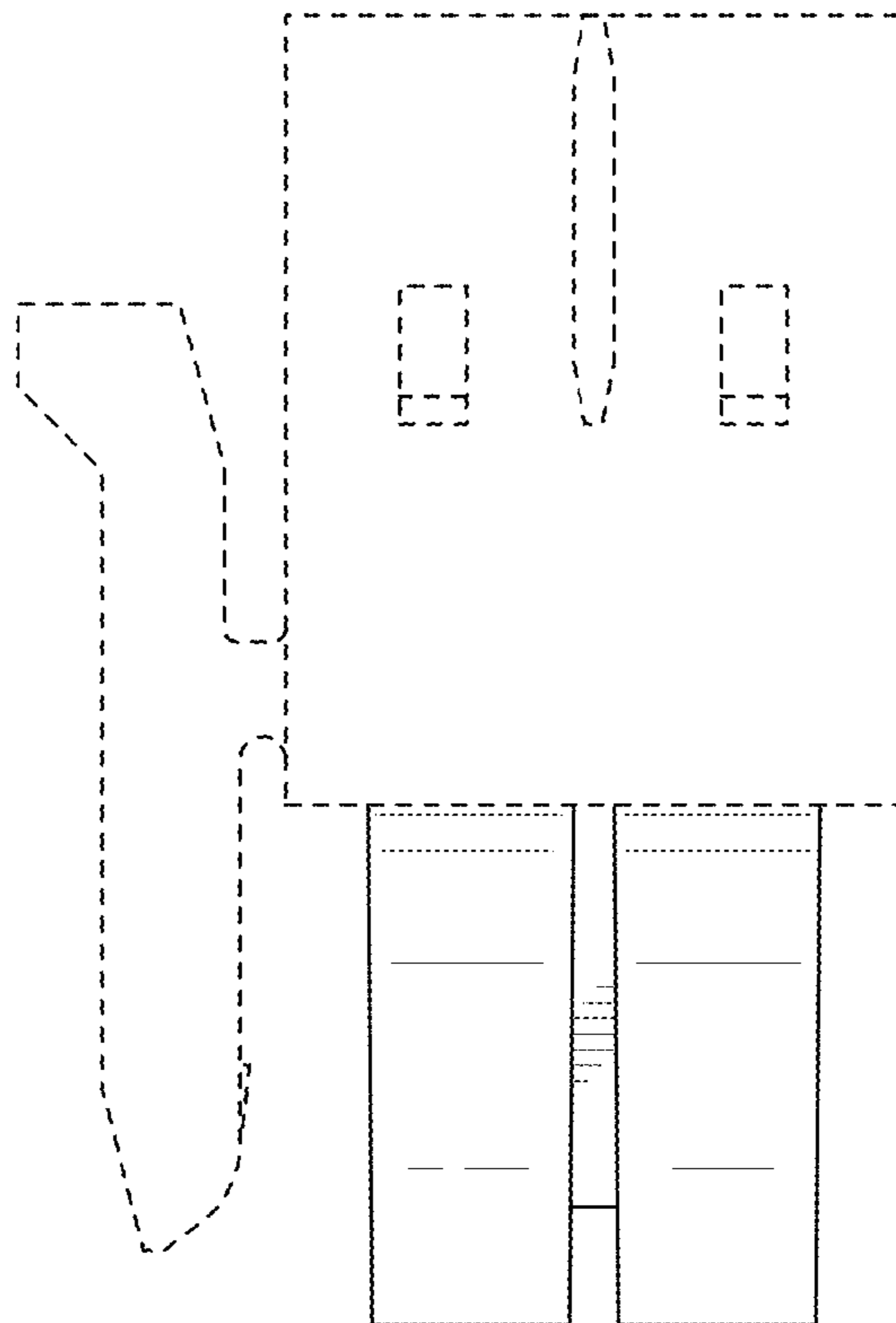


FIG. 117

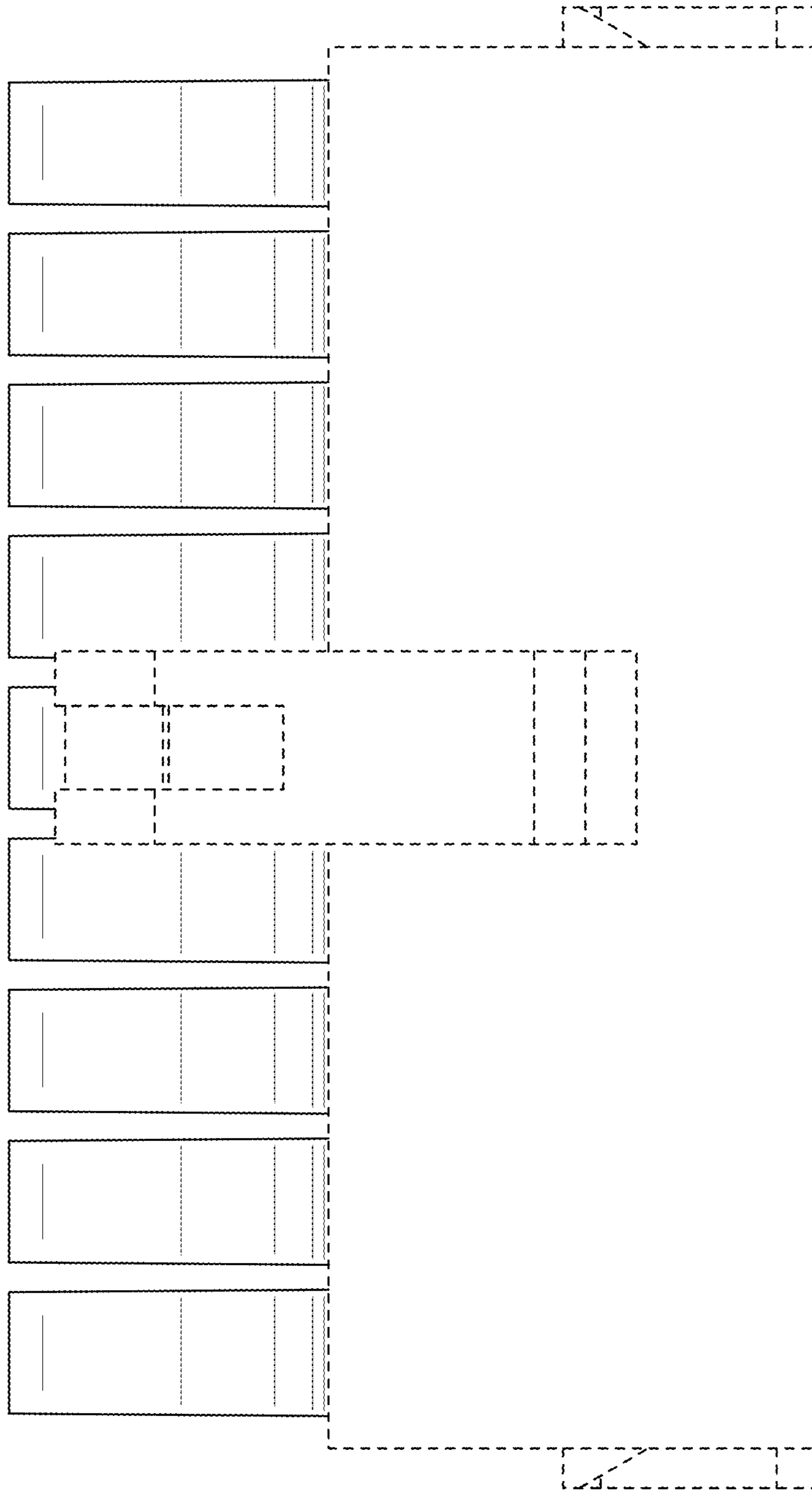


FIG. 119



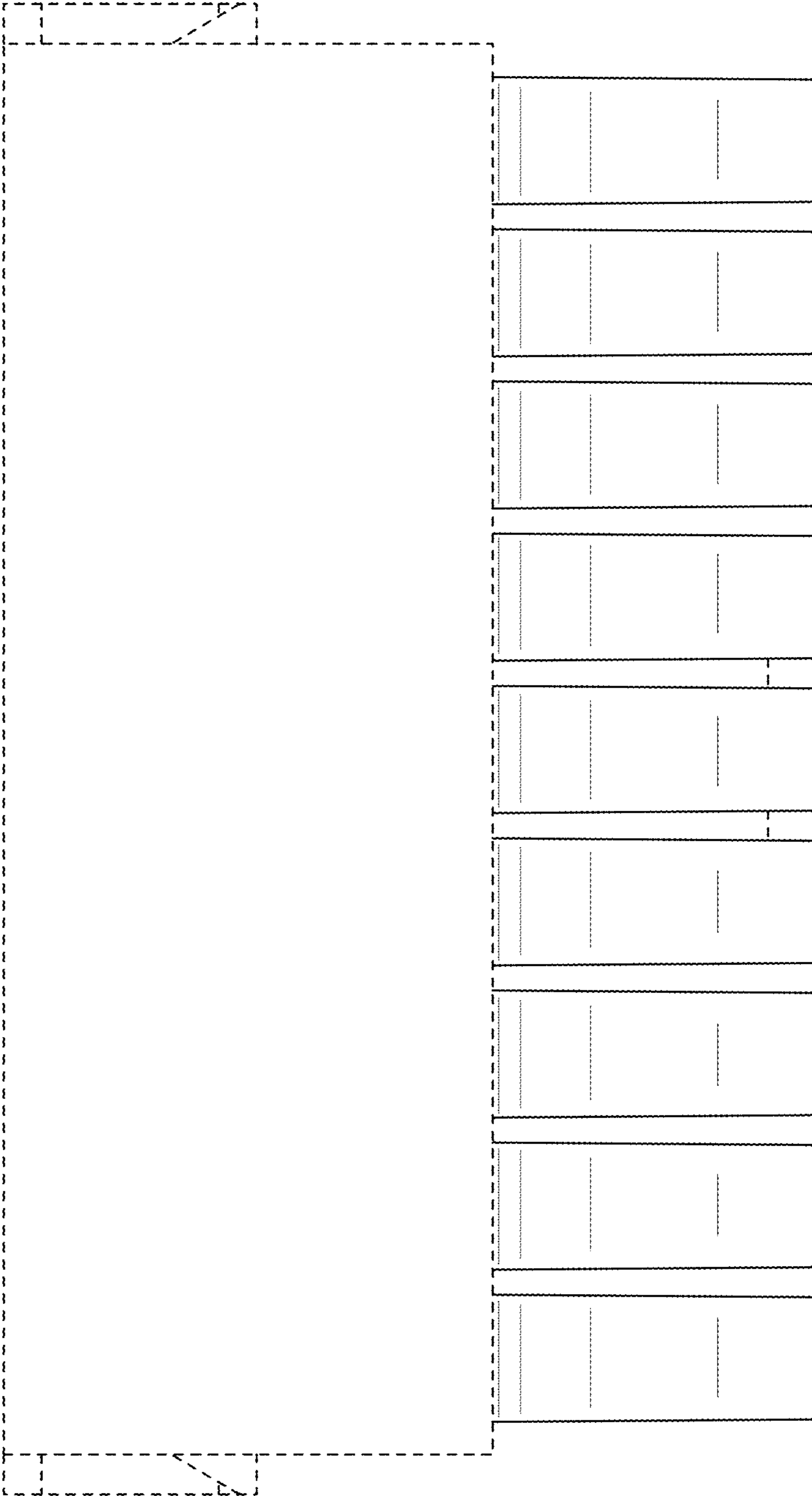


FIG. 120

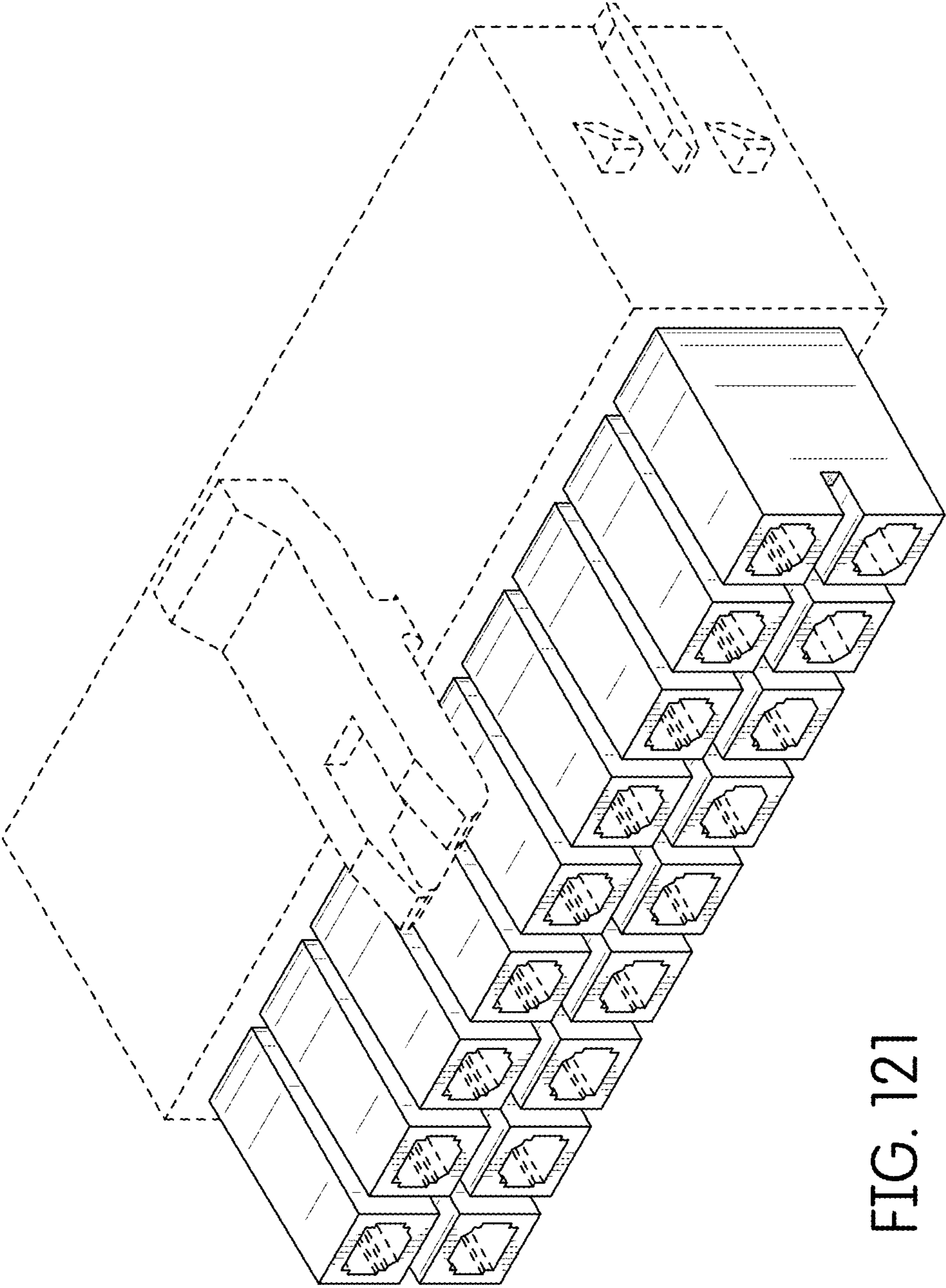


FIG. 121

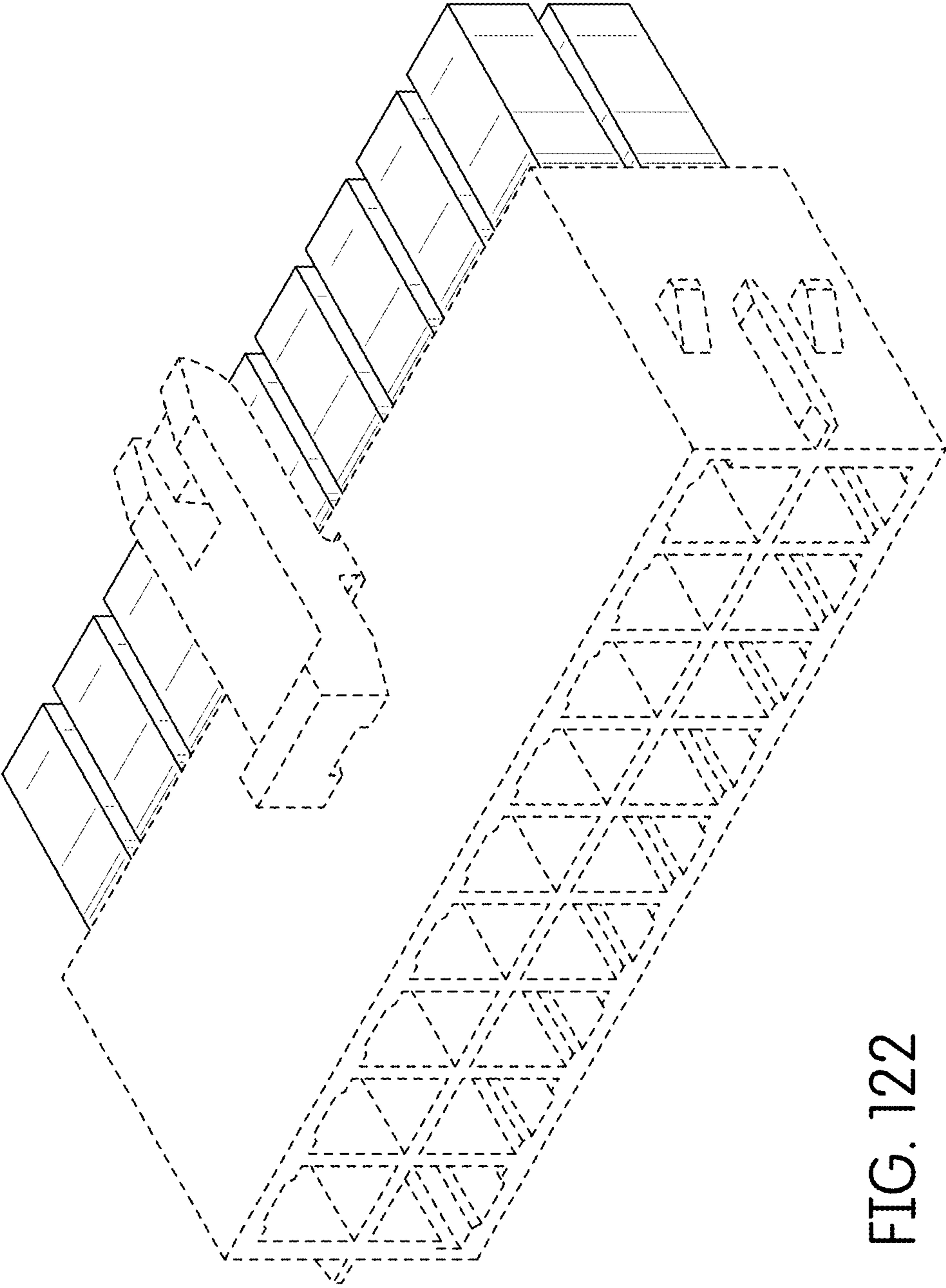


FIG. 122

FIG. 123

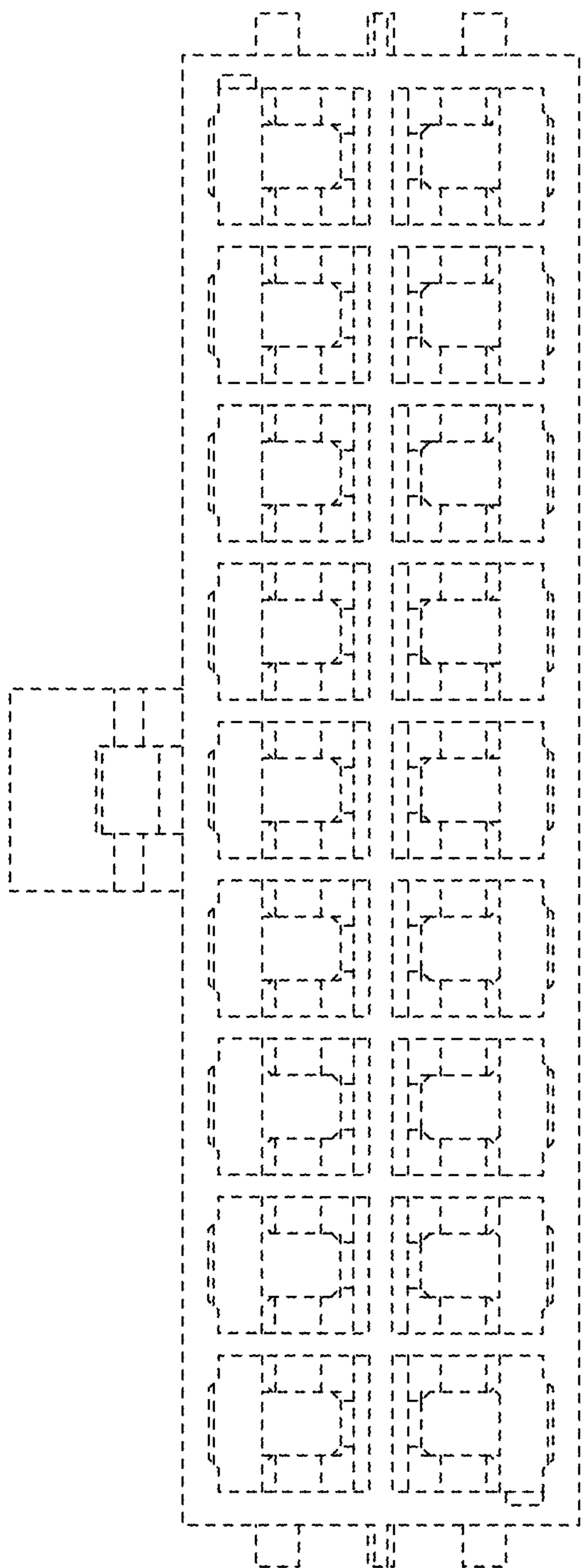
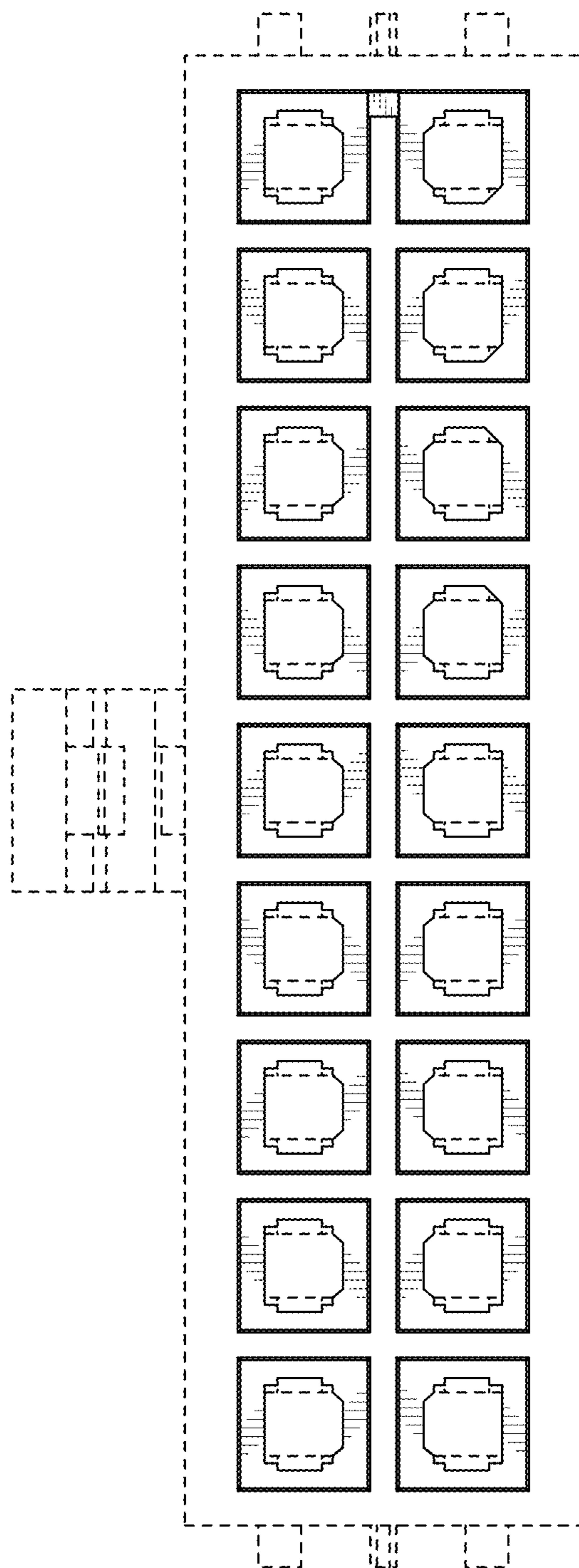


FIG. 124



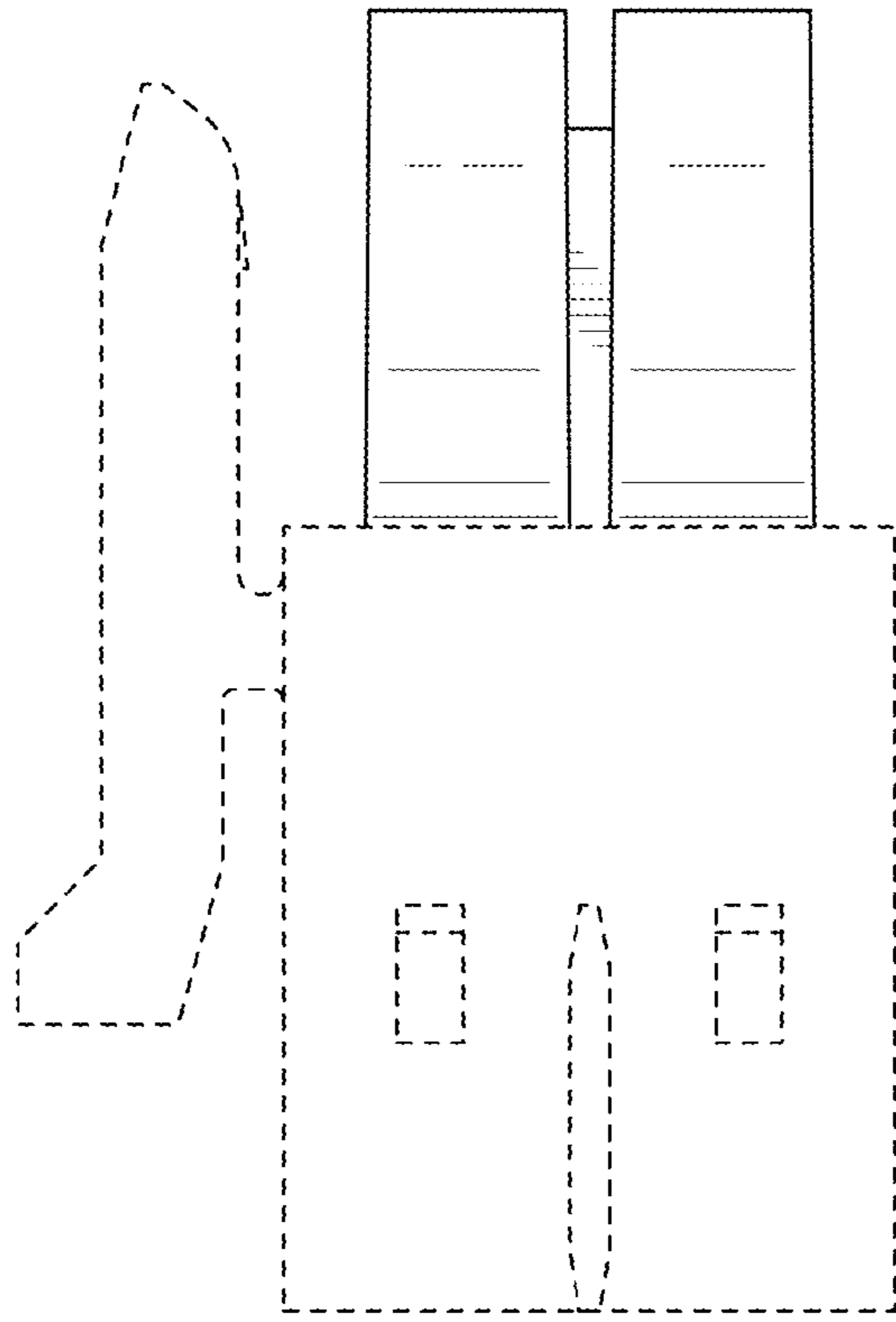


FIG. 126

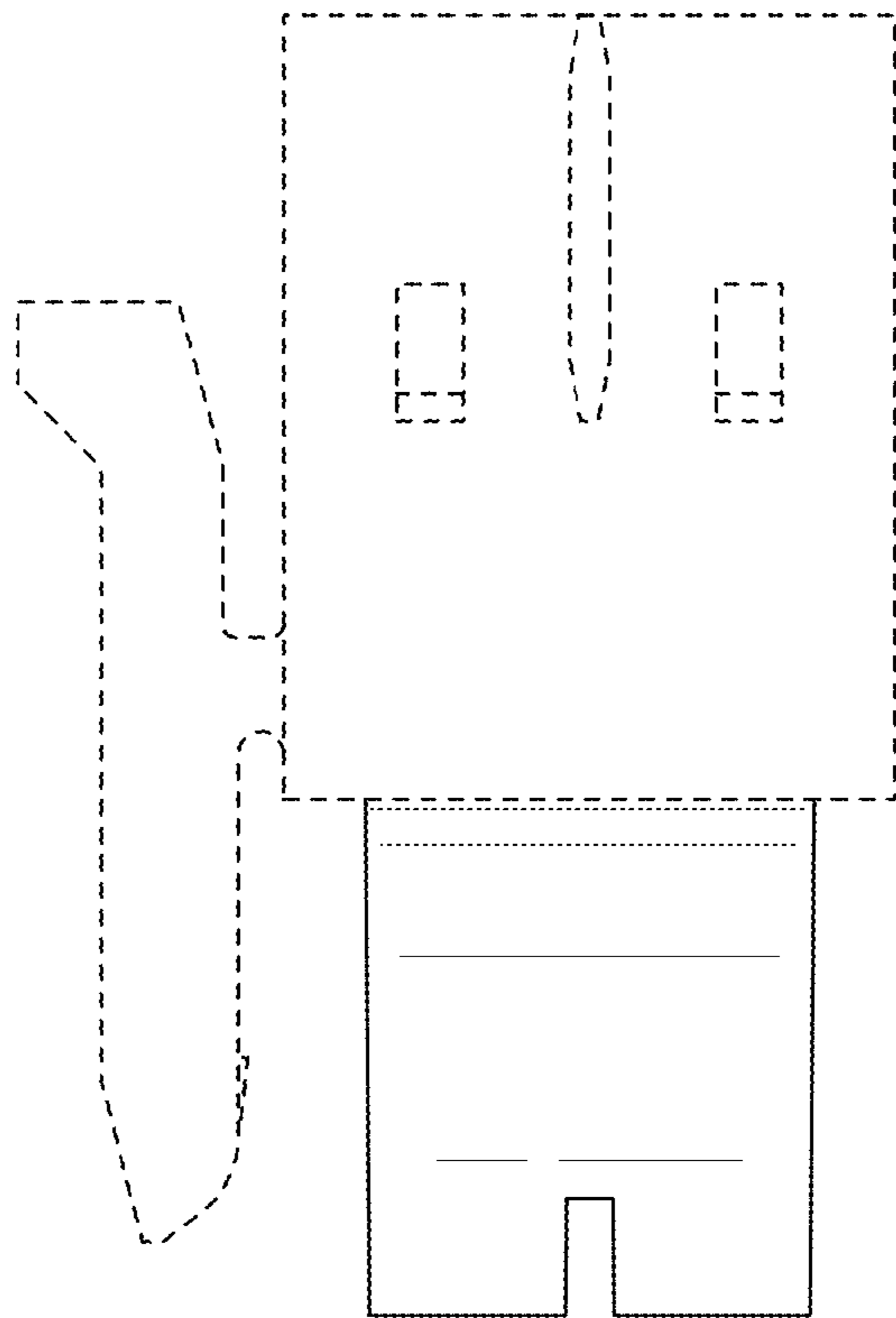


FIG. 125

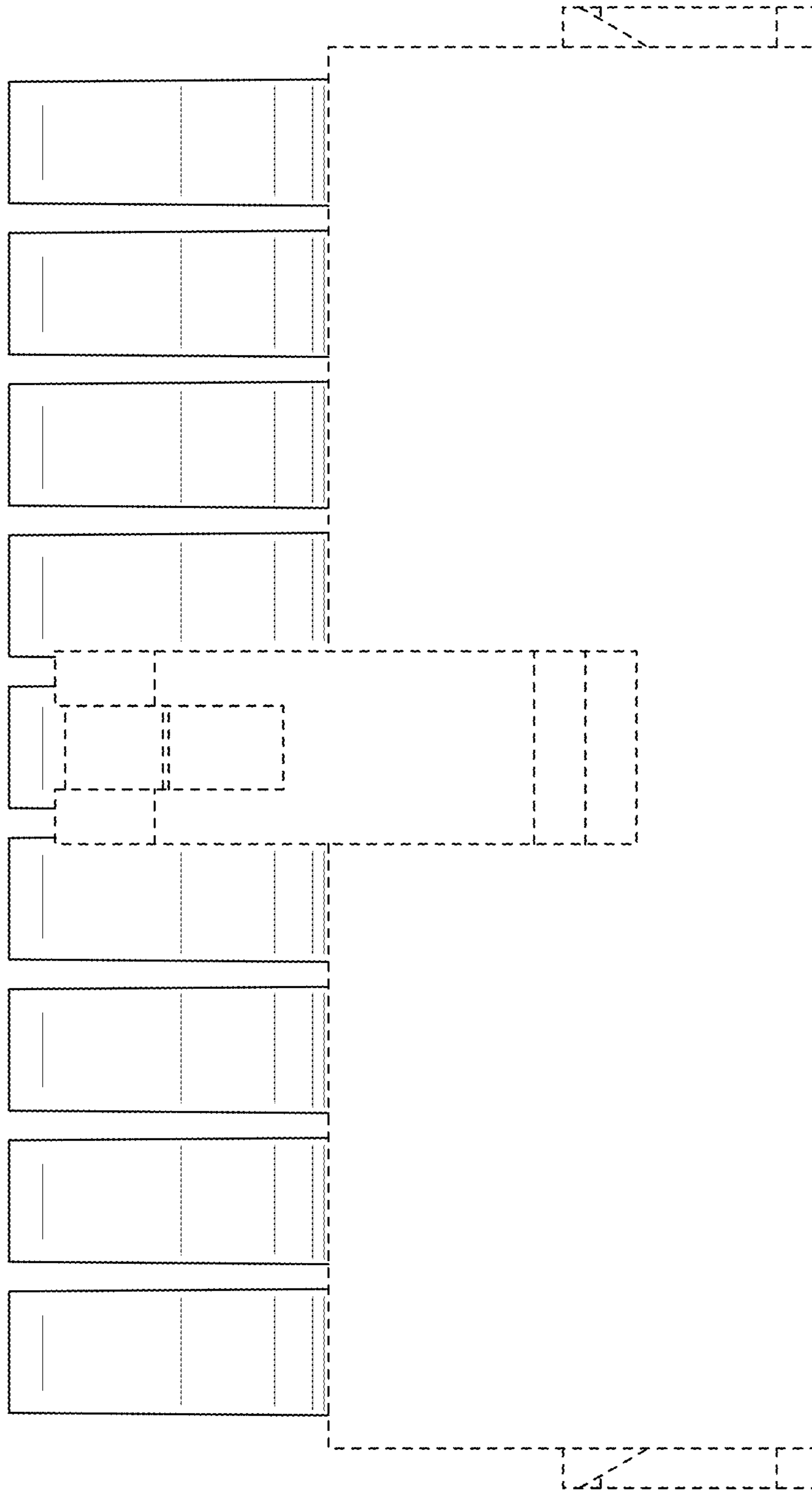


FIG. 127

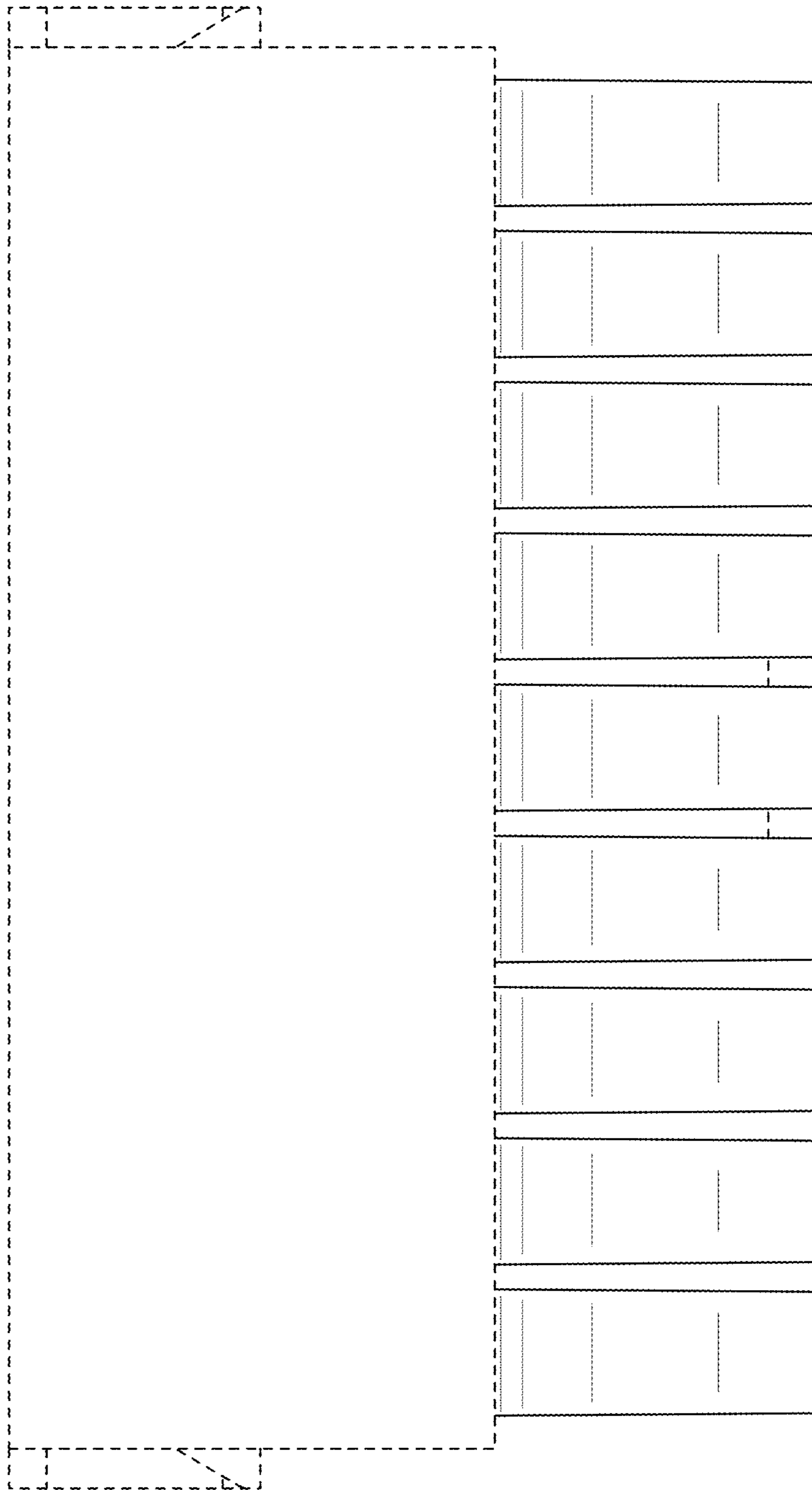


FIG. 128

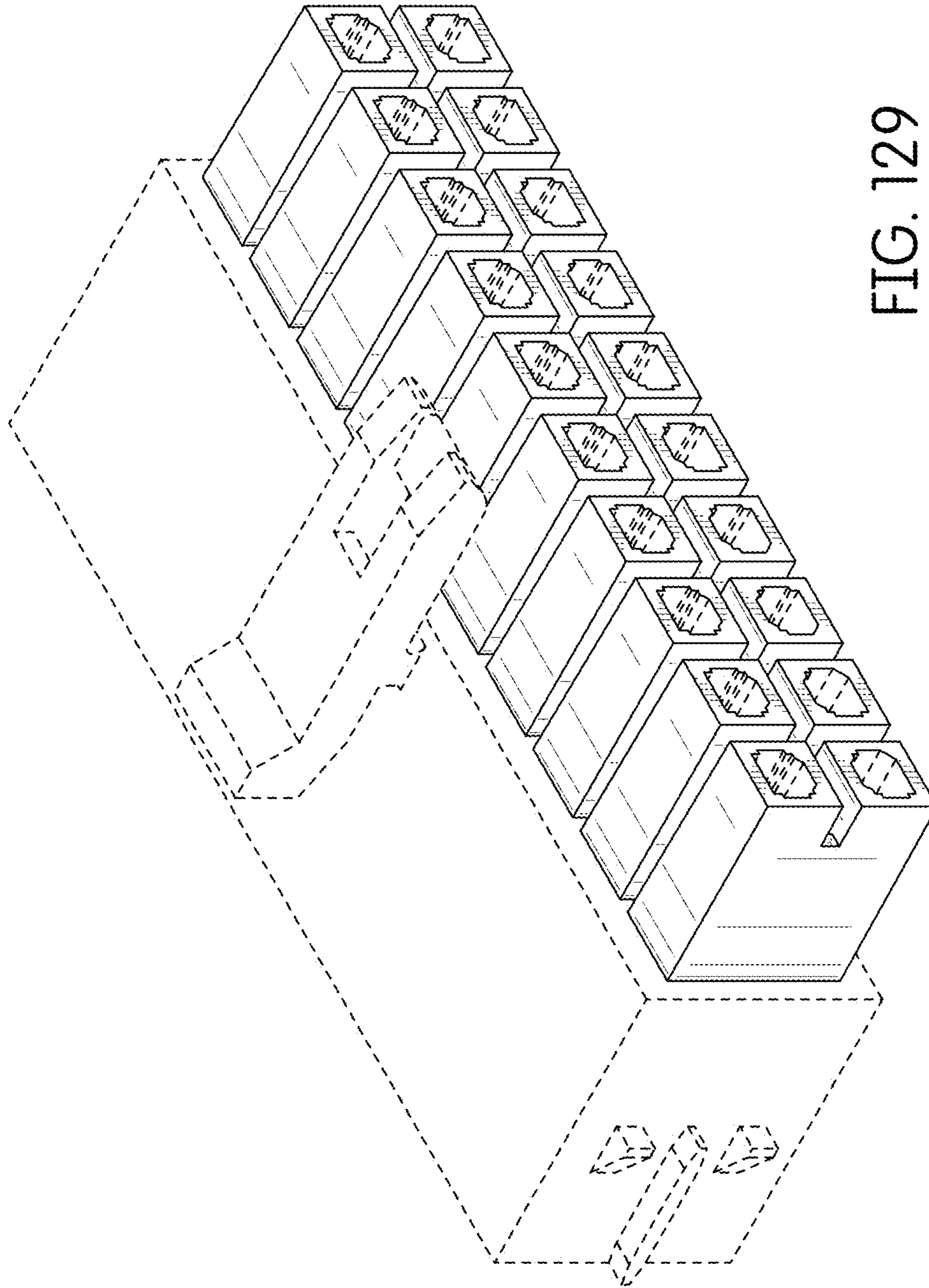


FIG. 129



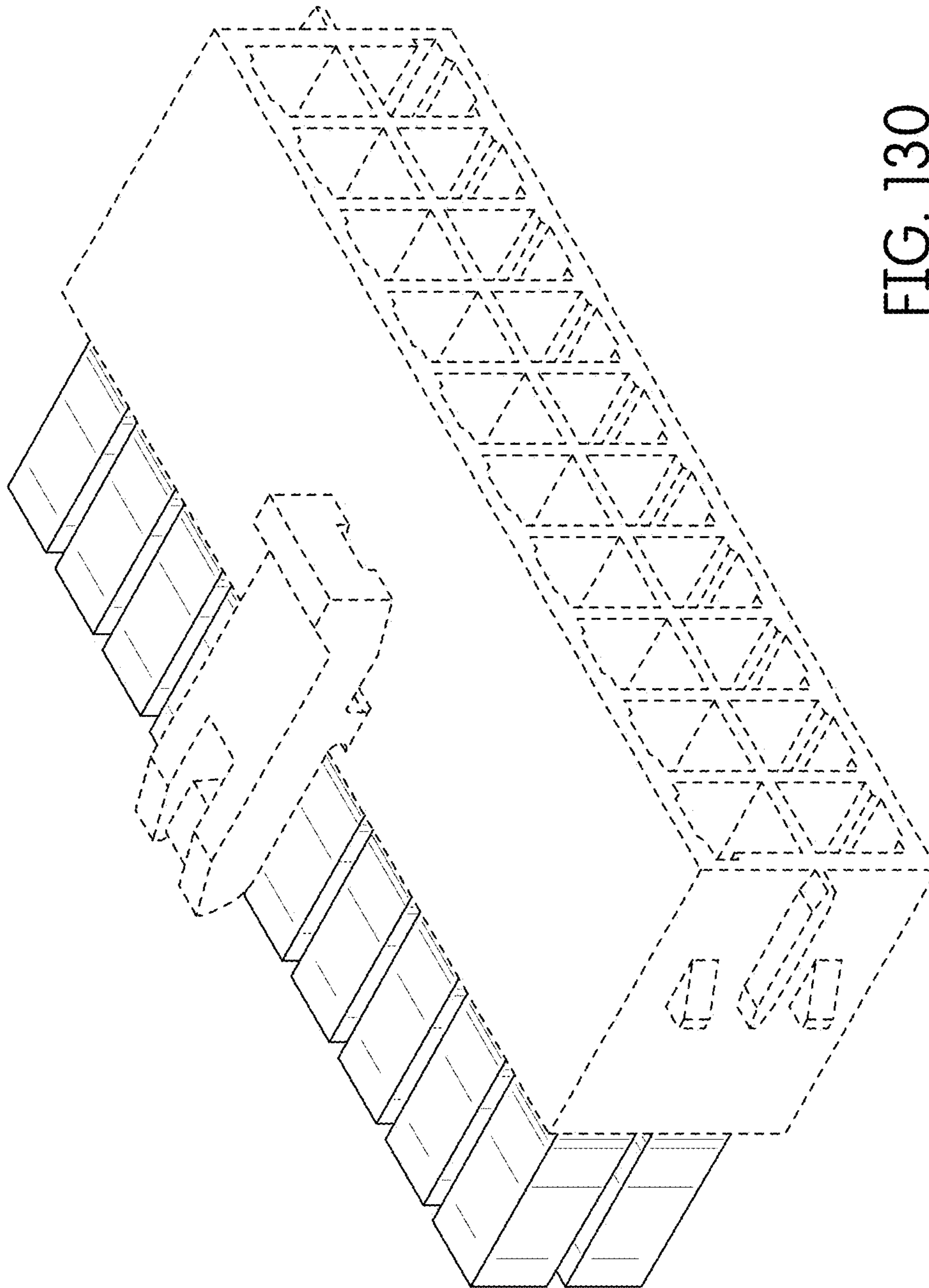


FIG. 130

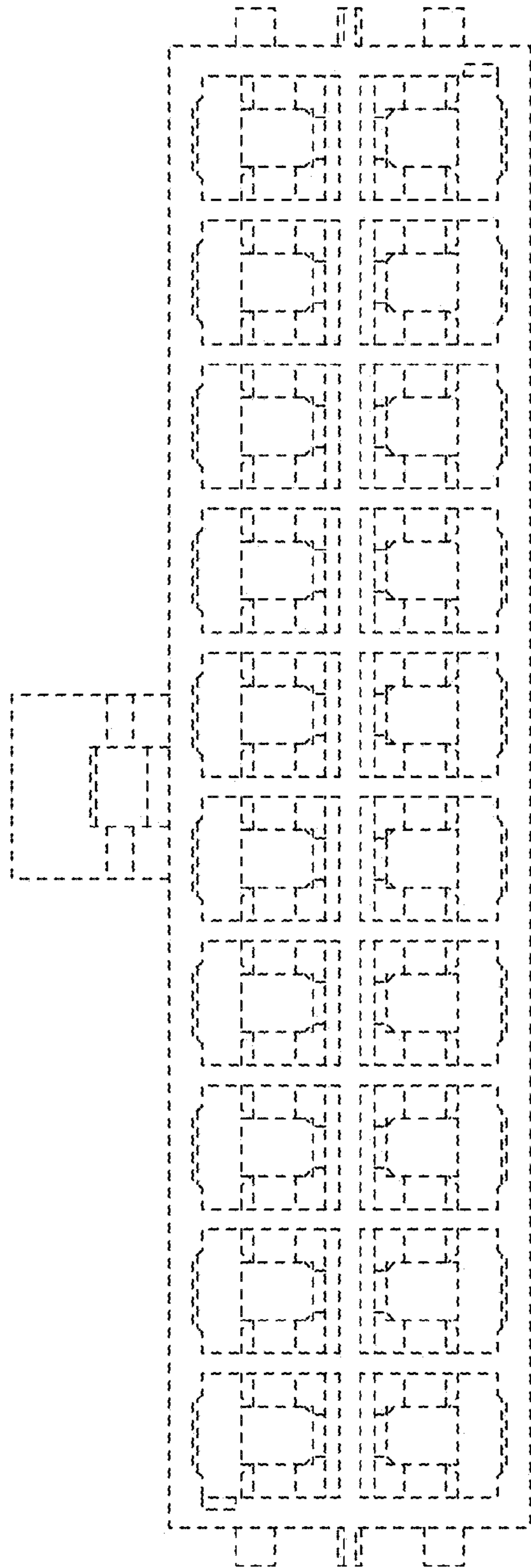


FIG. 131

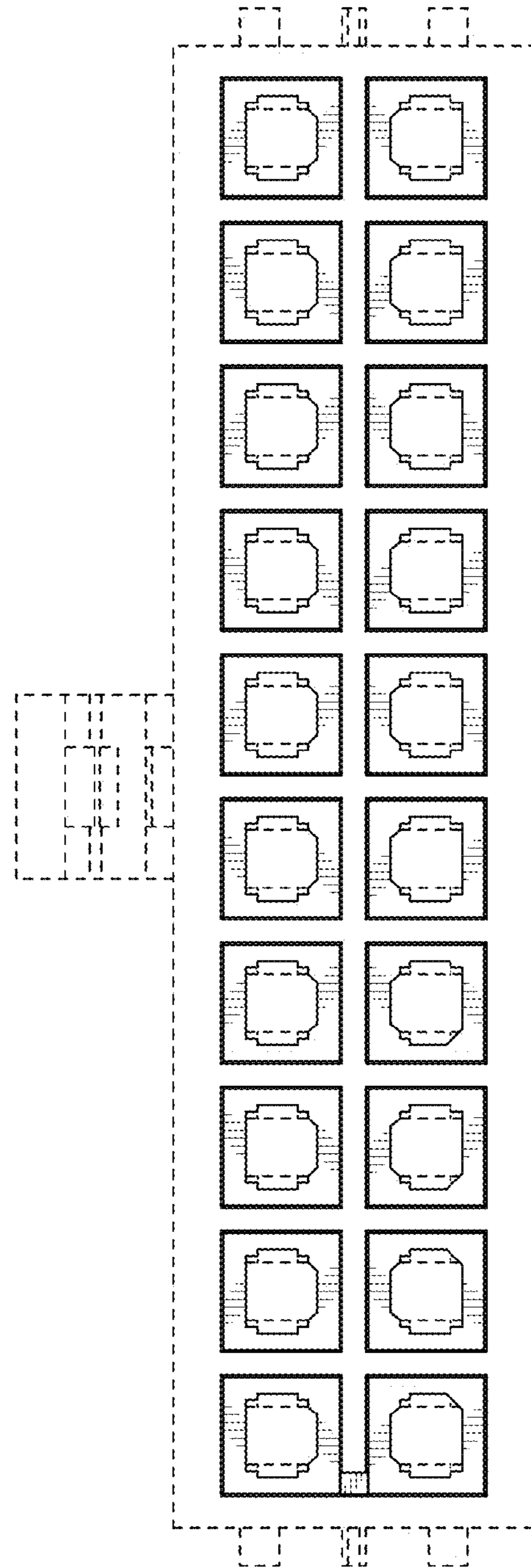


FIG. 132

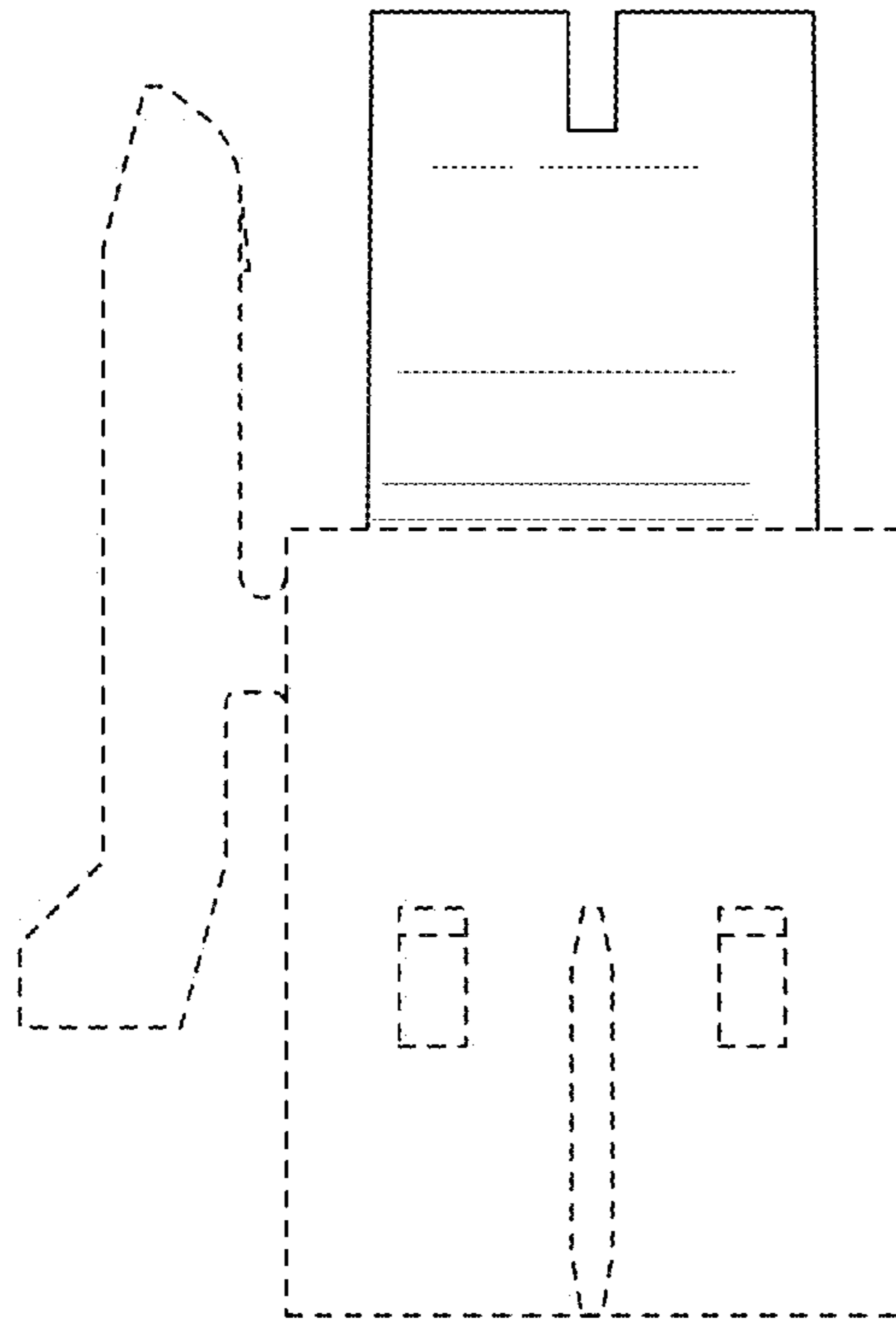


FIG. 134

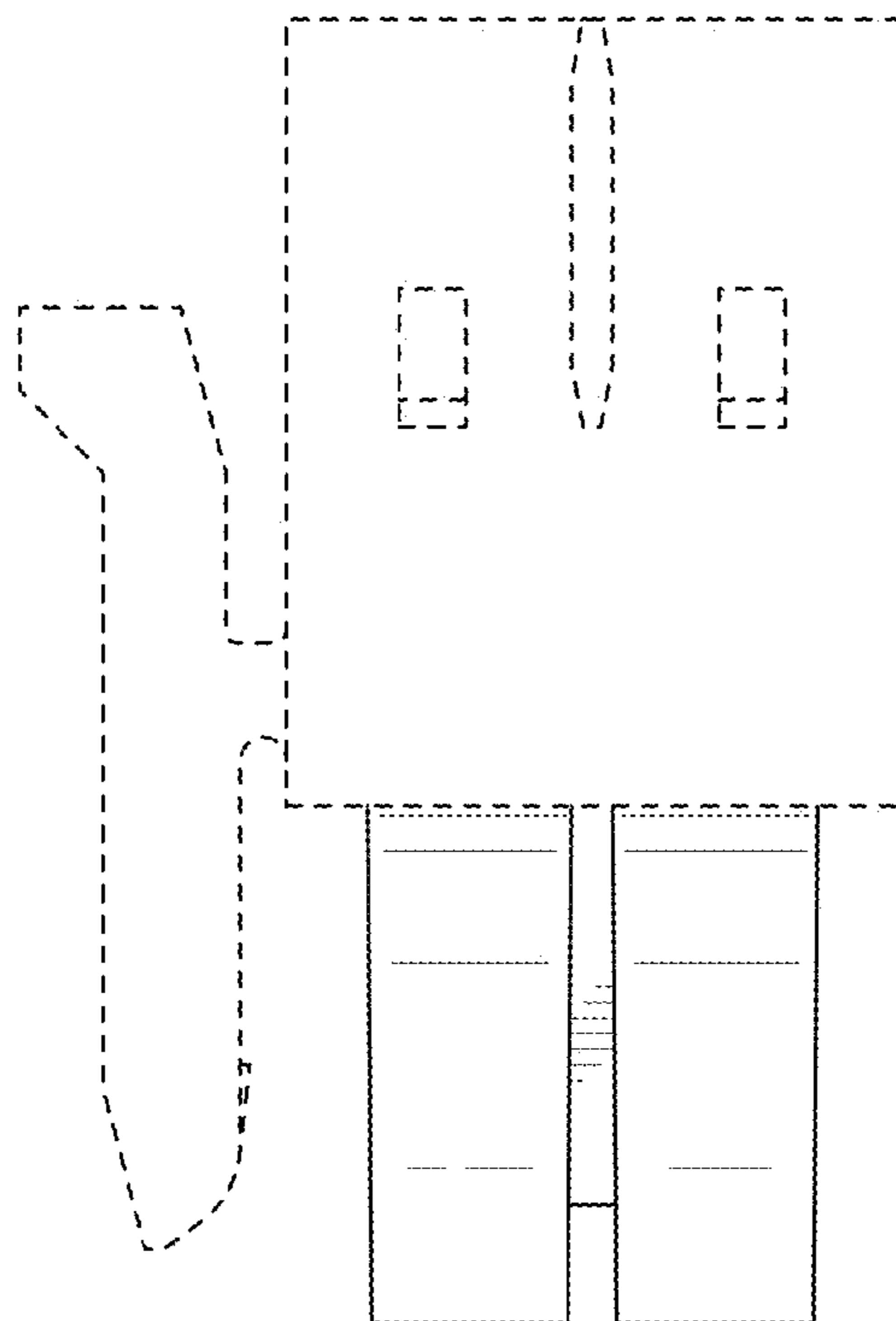


FIG. 133

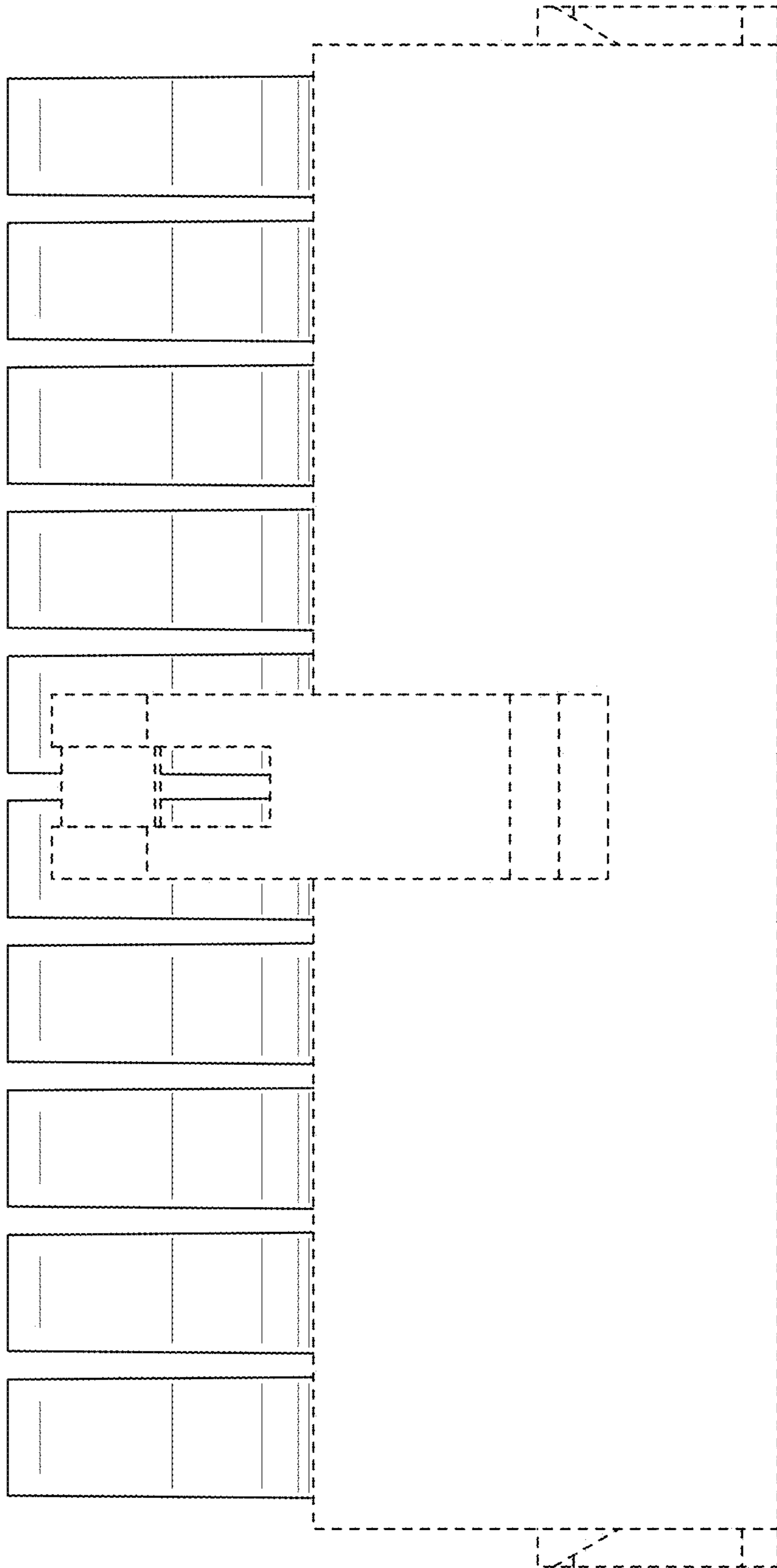


FIG. 135

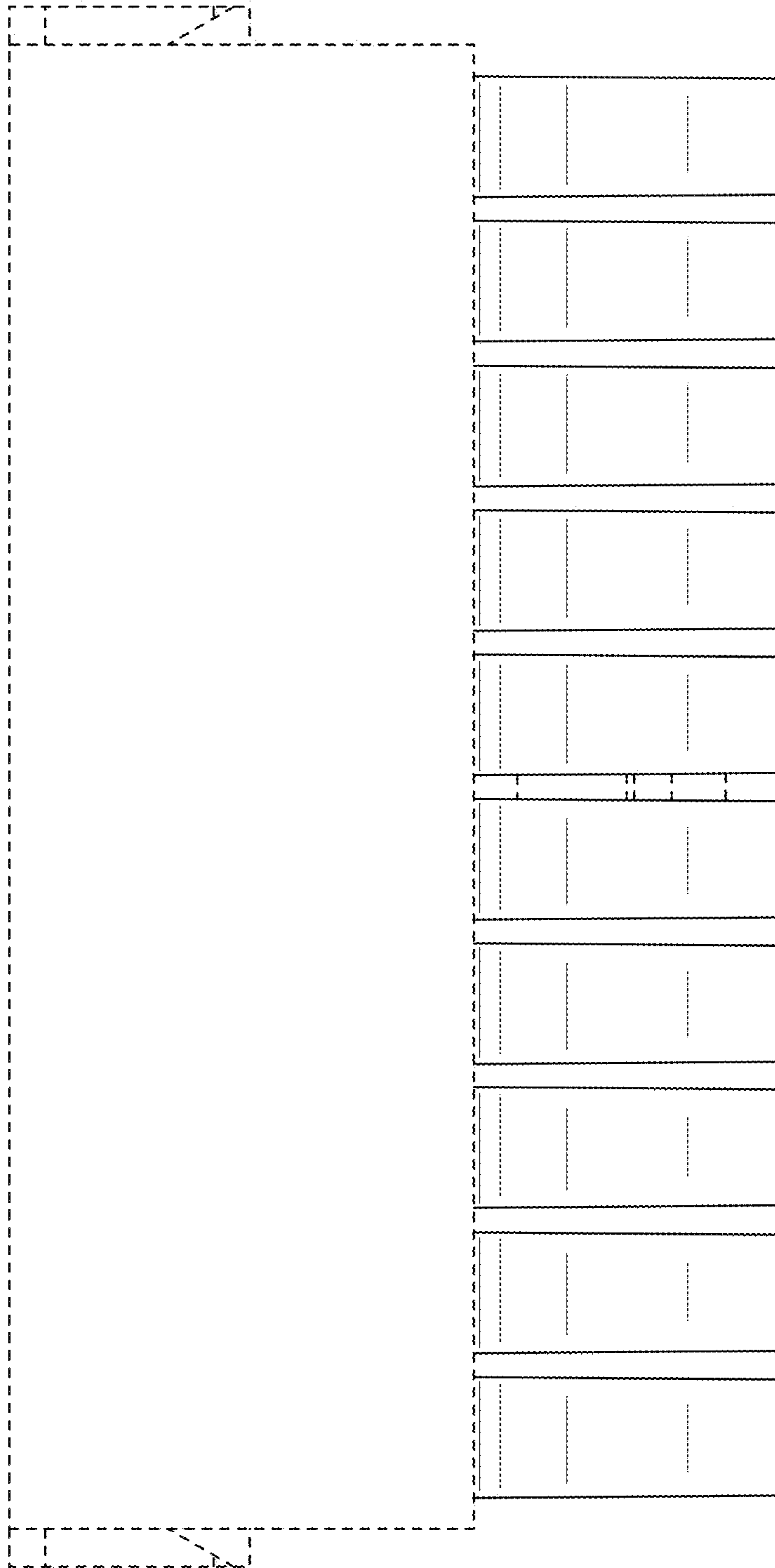


FIG. 136

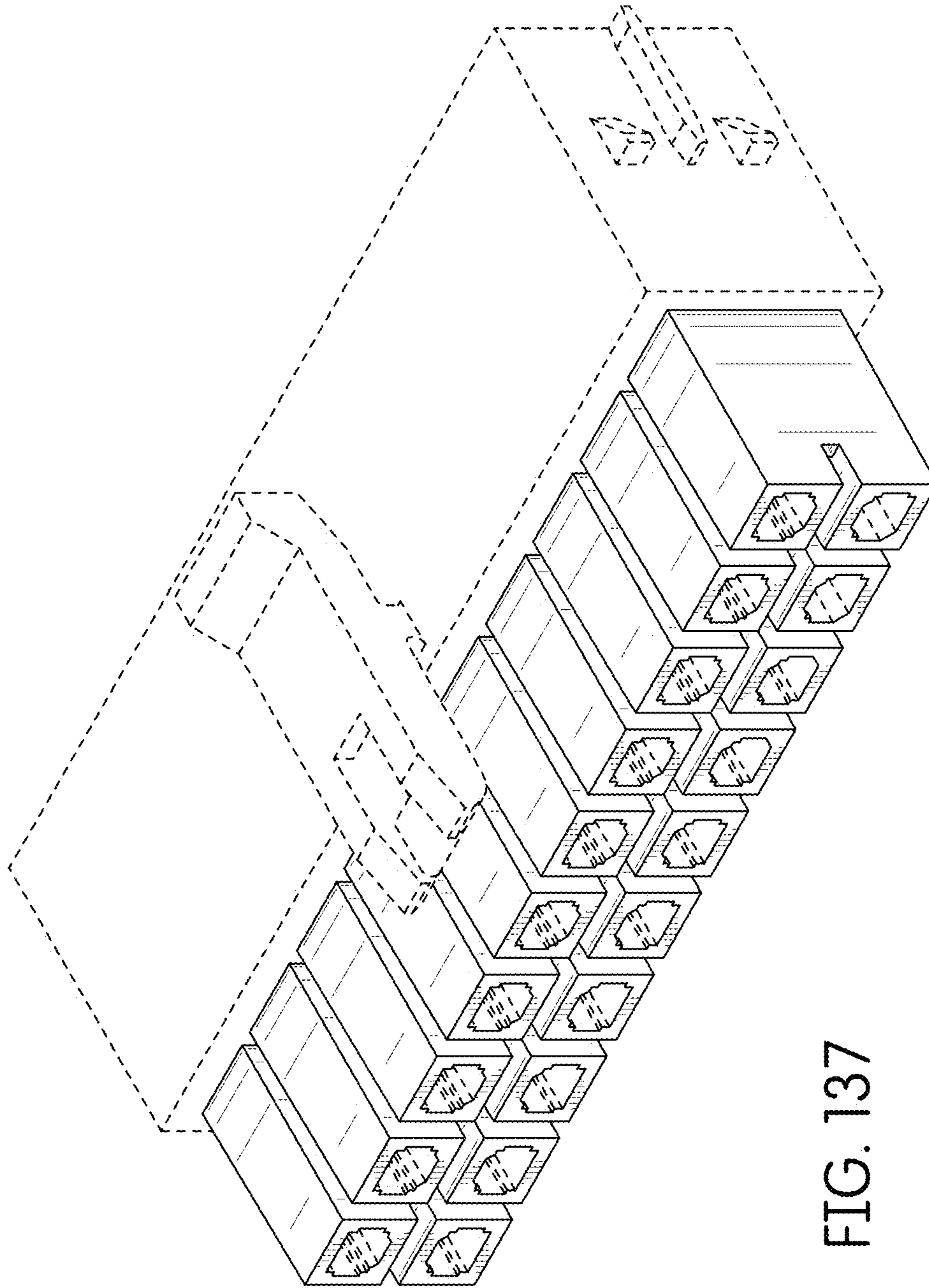


FIG. 137

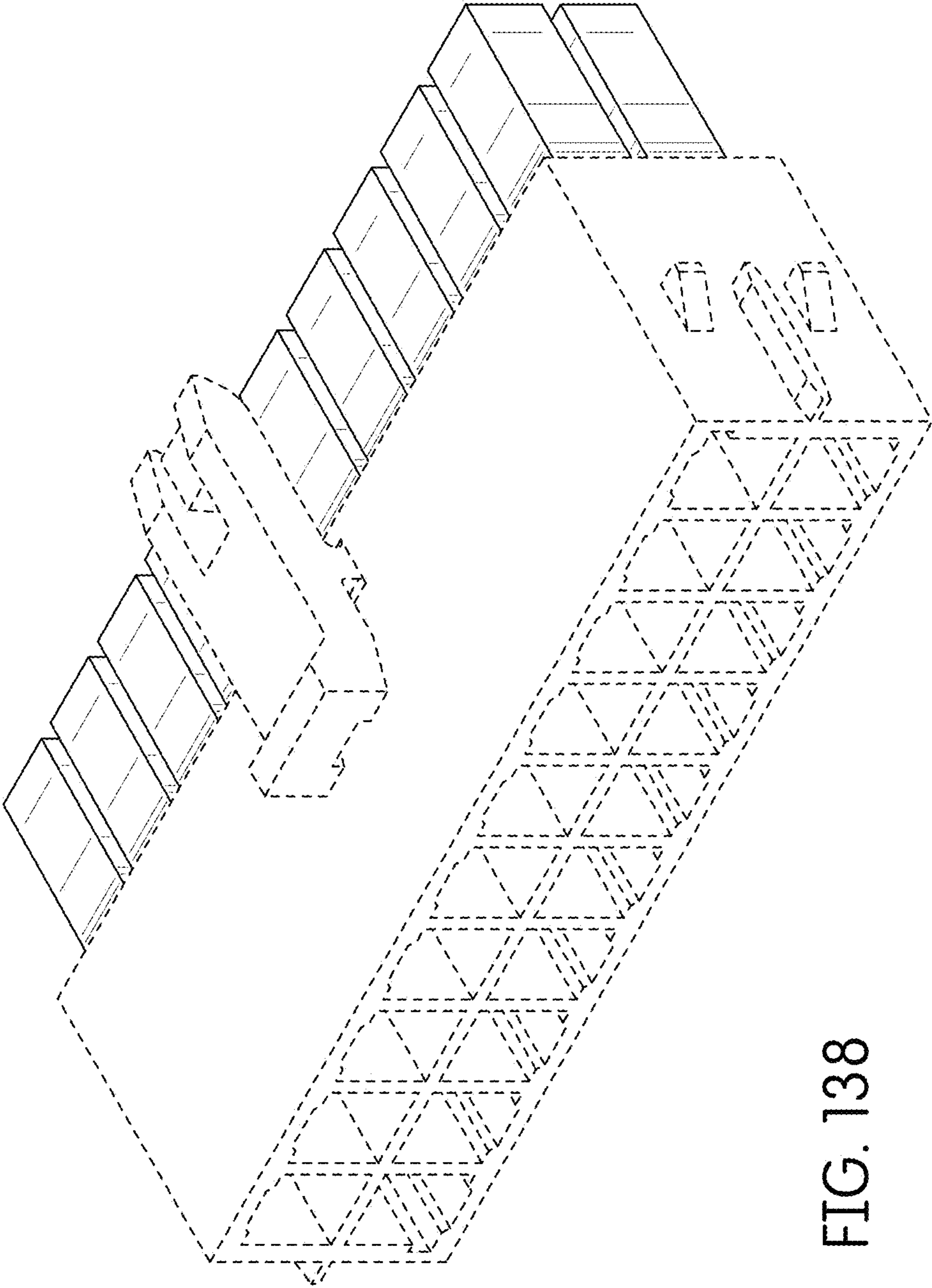


FIG. 138

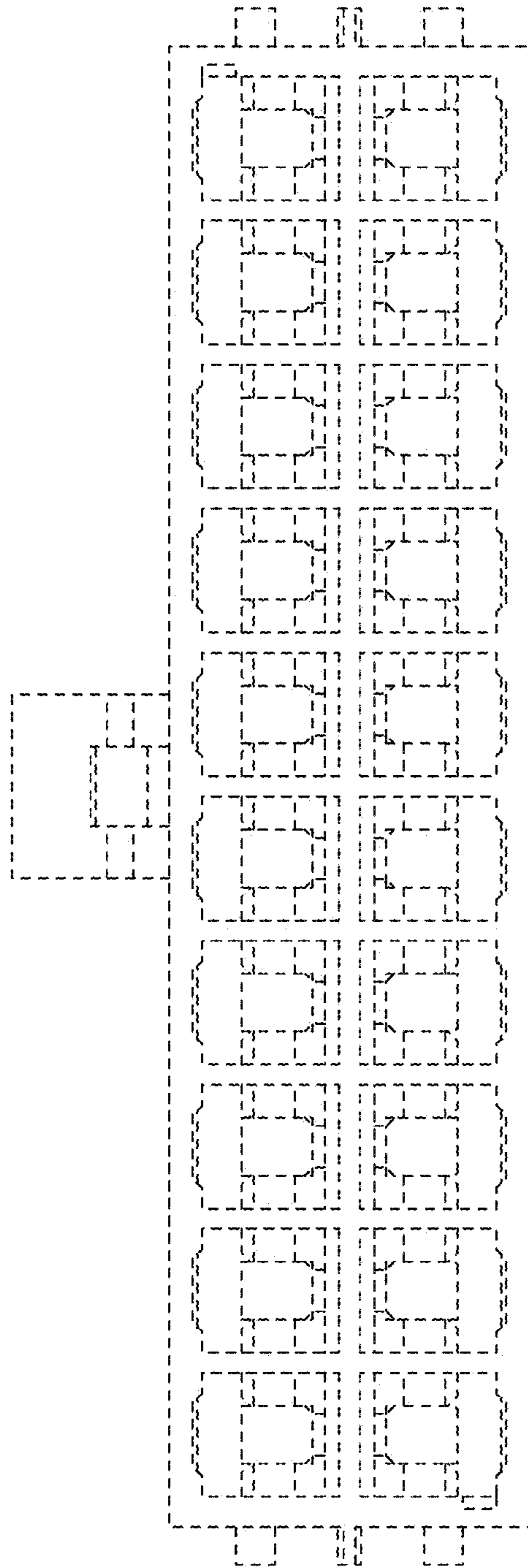


FIG. 139

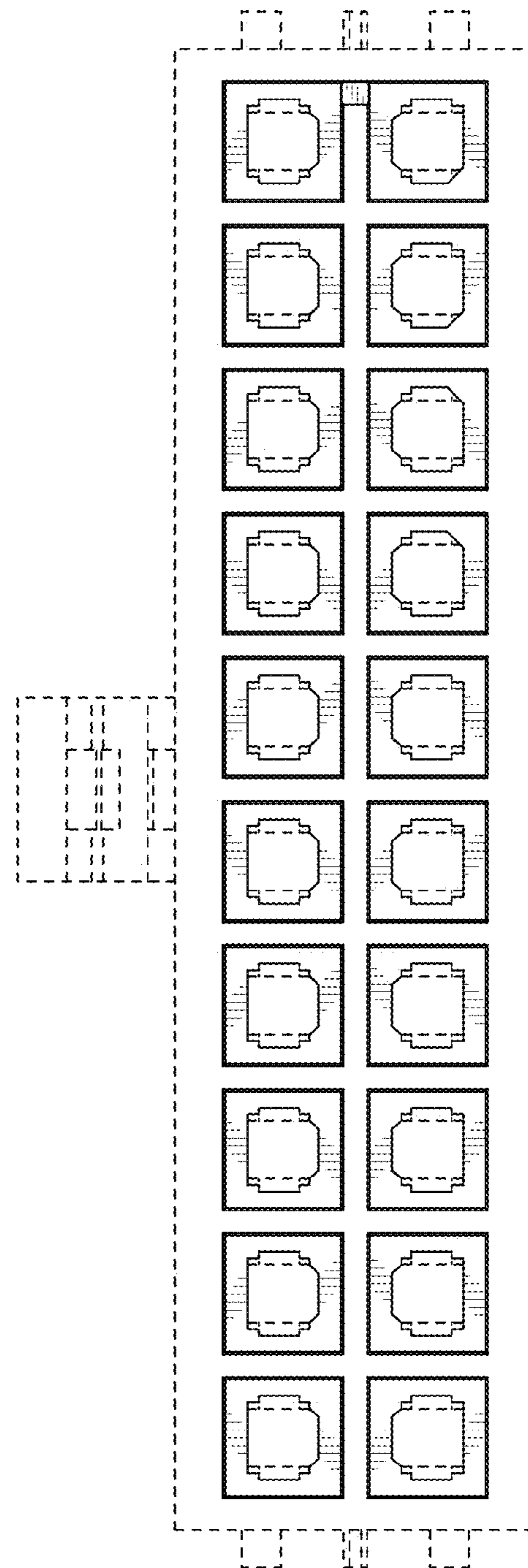


FIG. 140



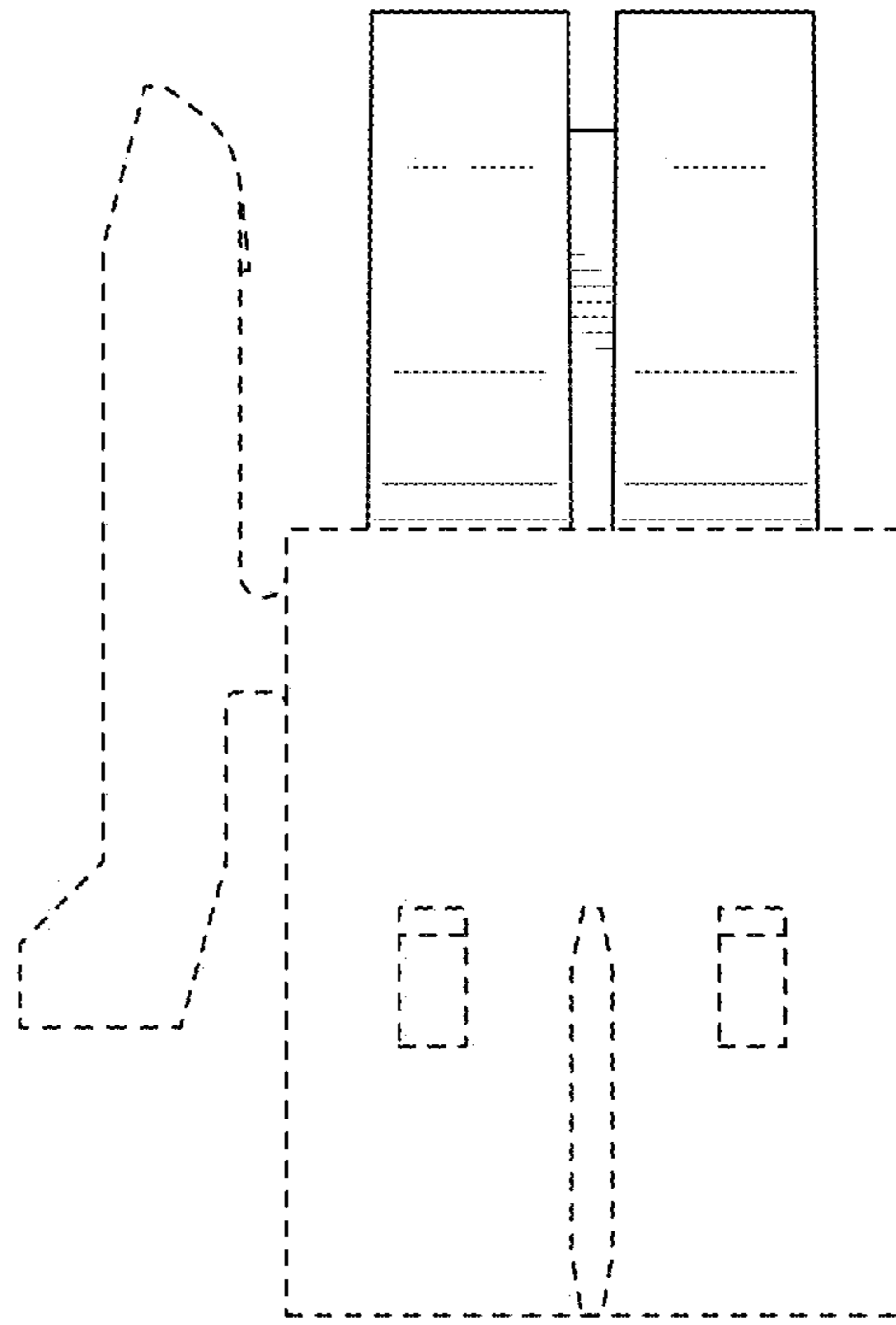


FIG. 142

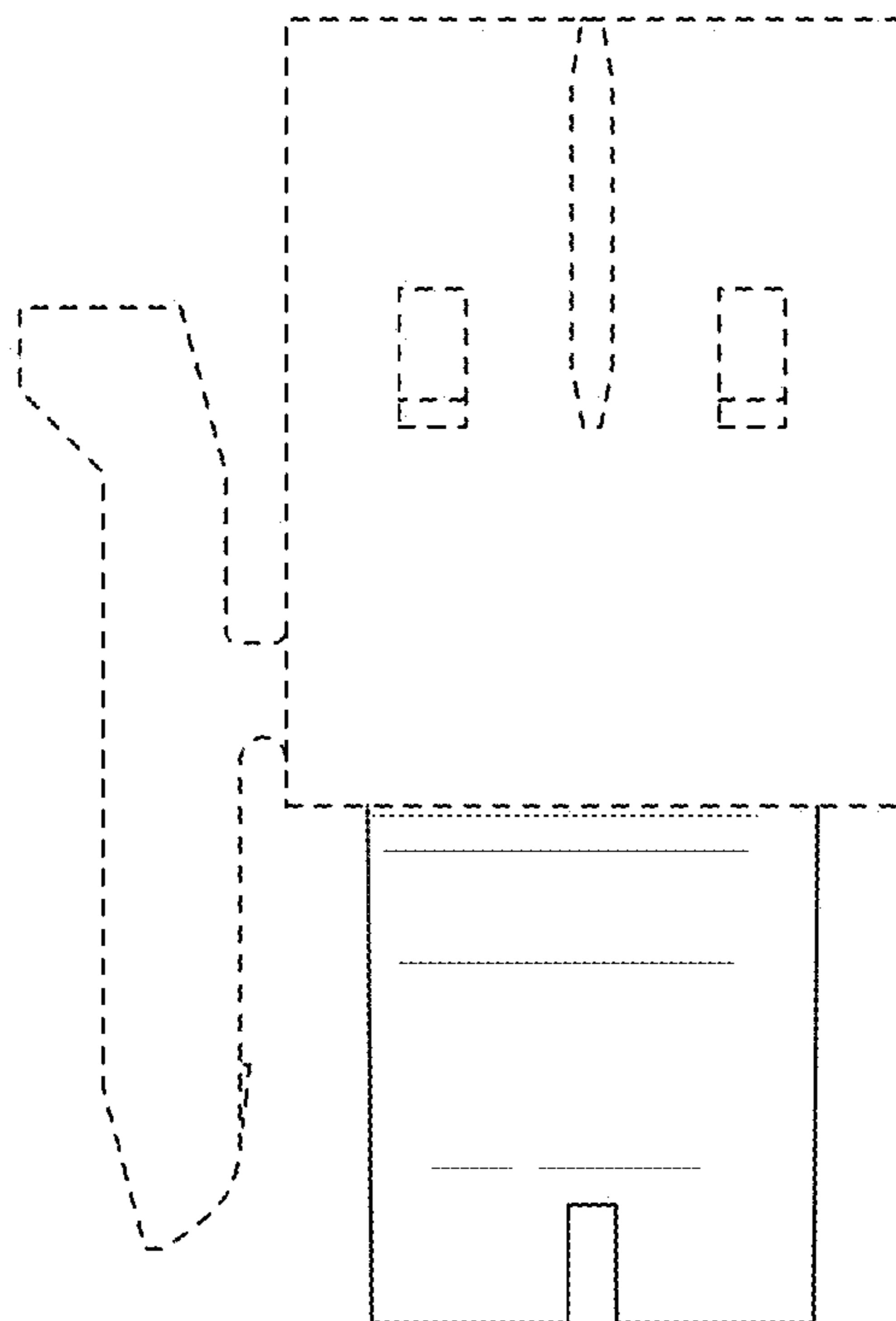


FIG. 141

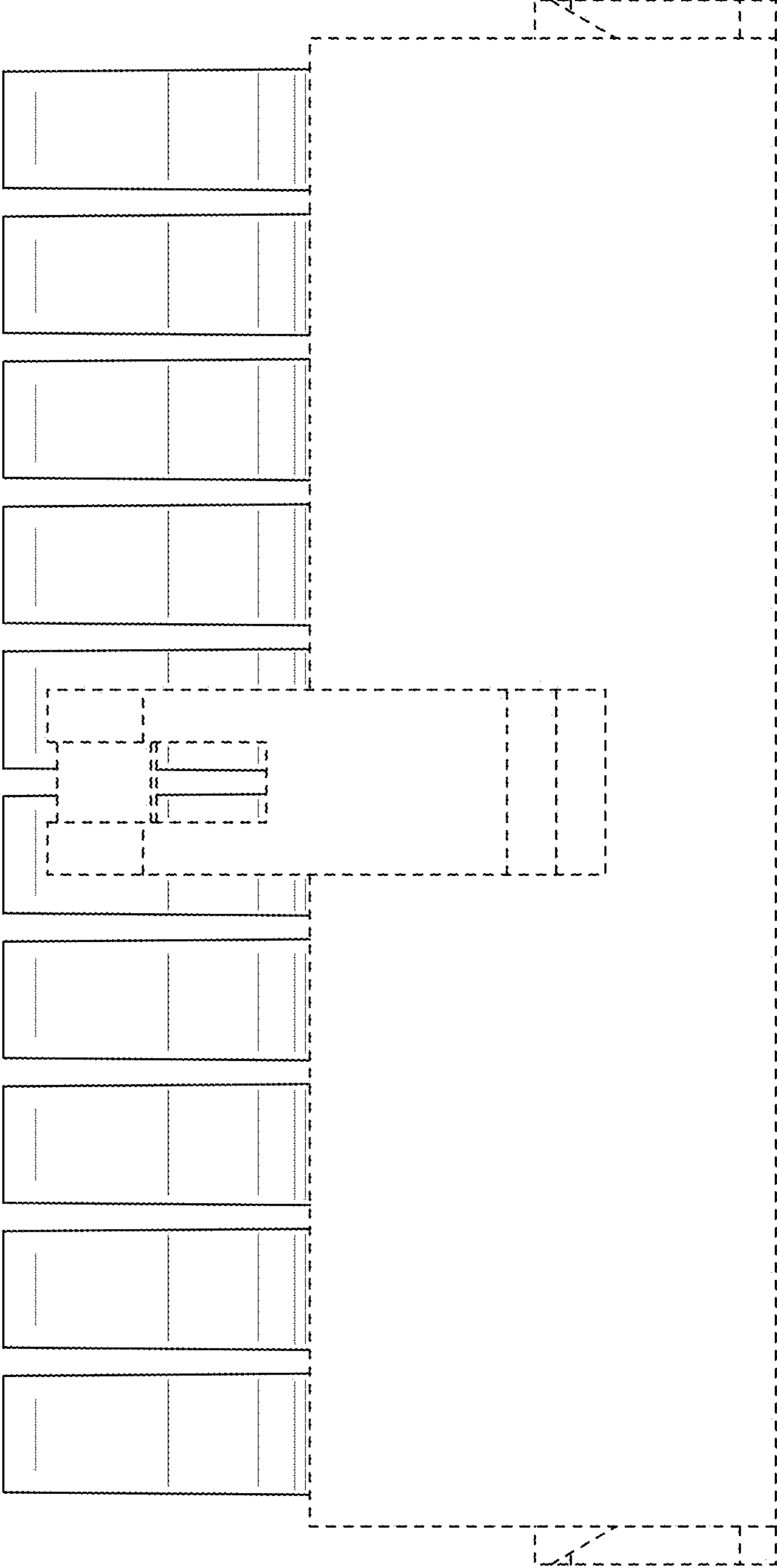


FIG. 143

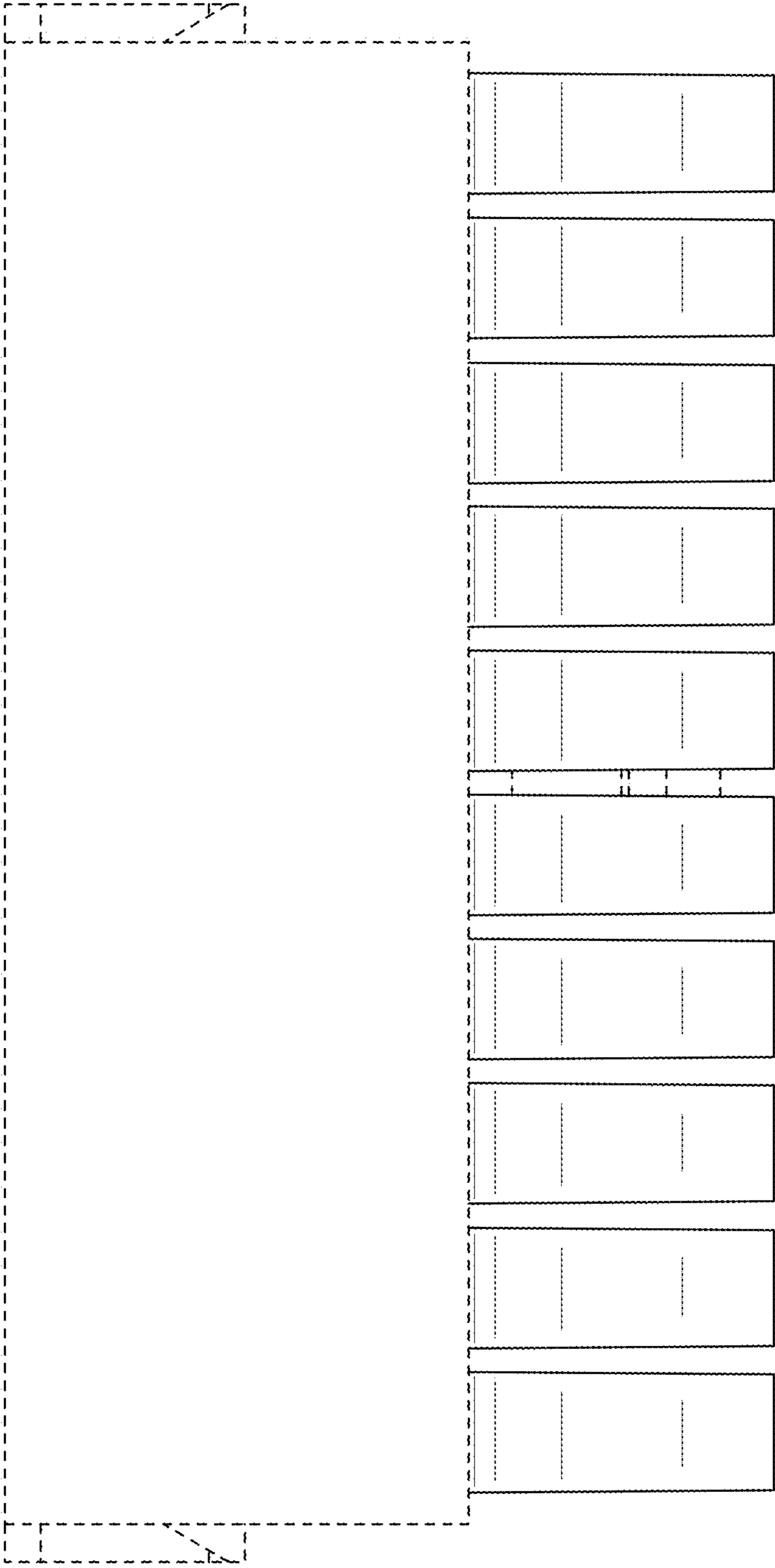


FIG. 144

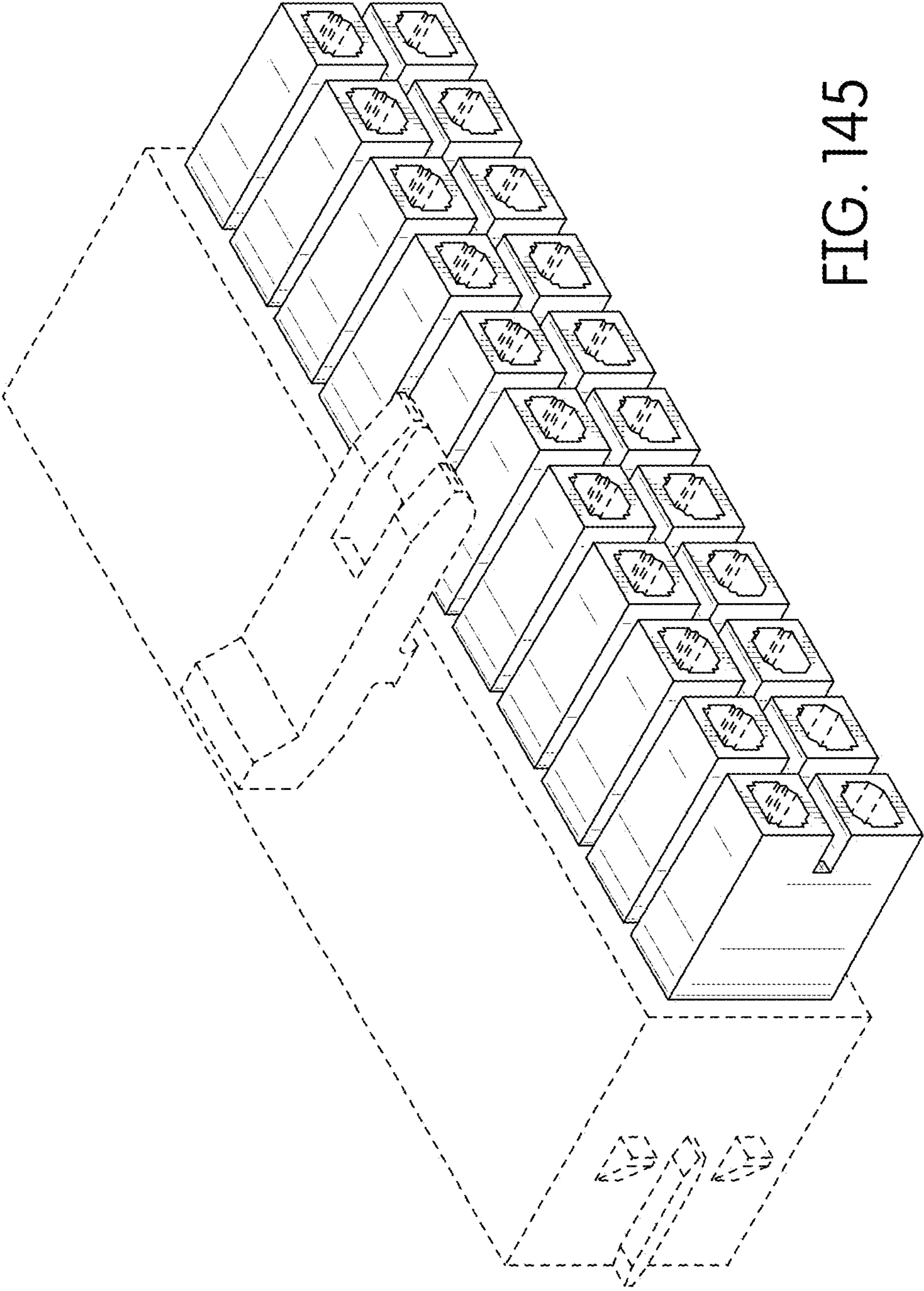


FIG. 145

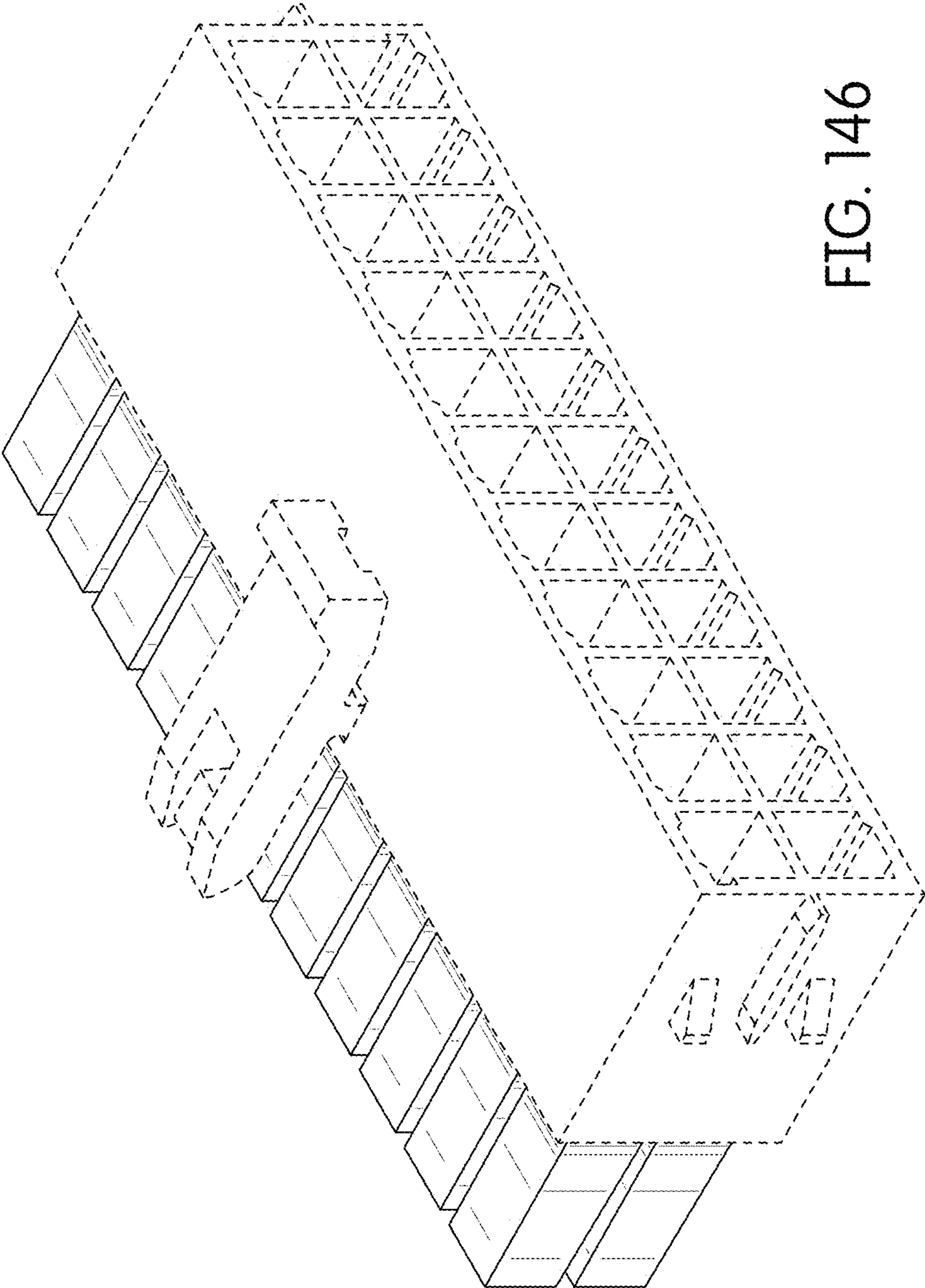


FIG. 146

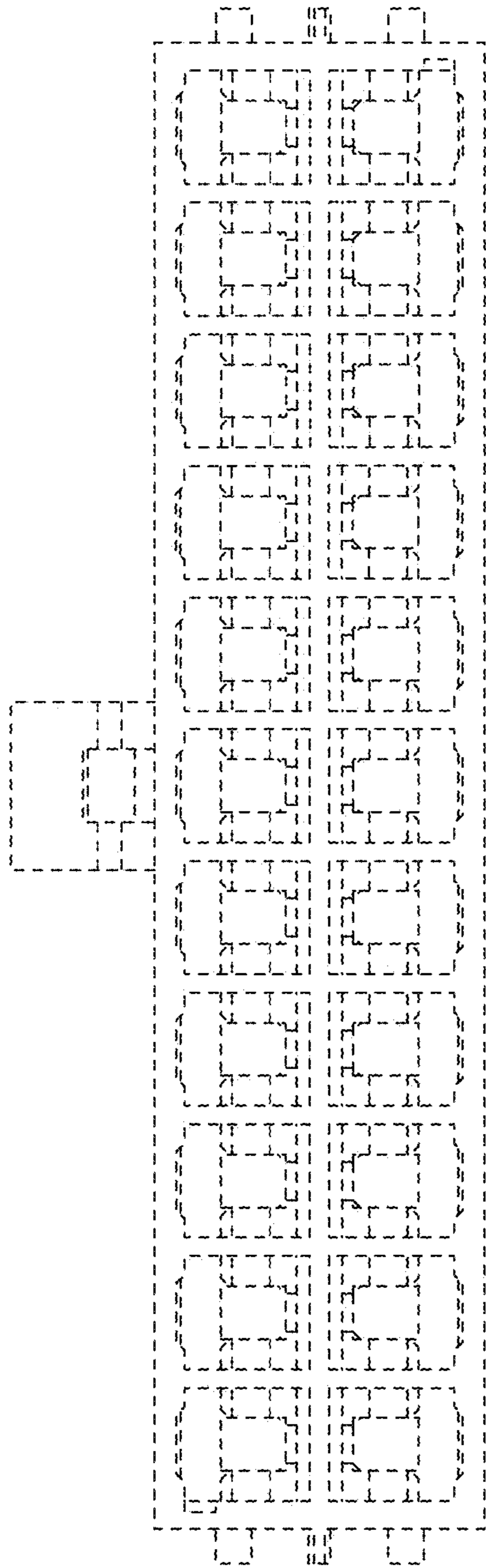


FIG. 147

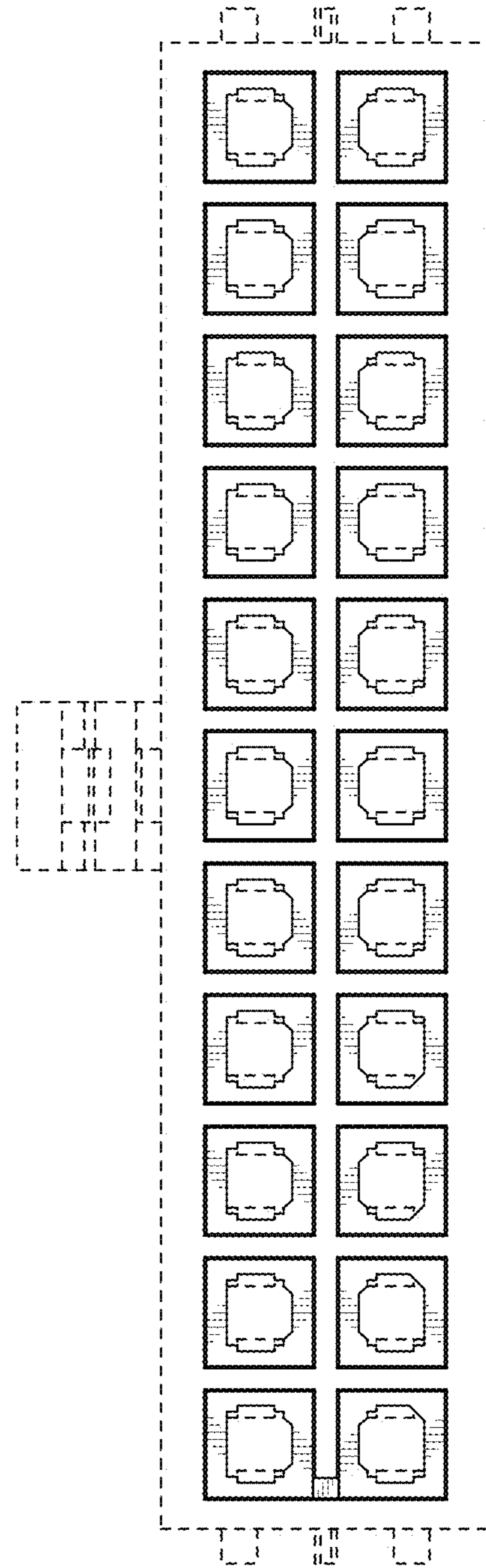


FIG. 148

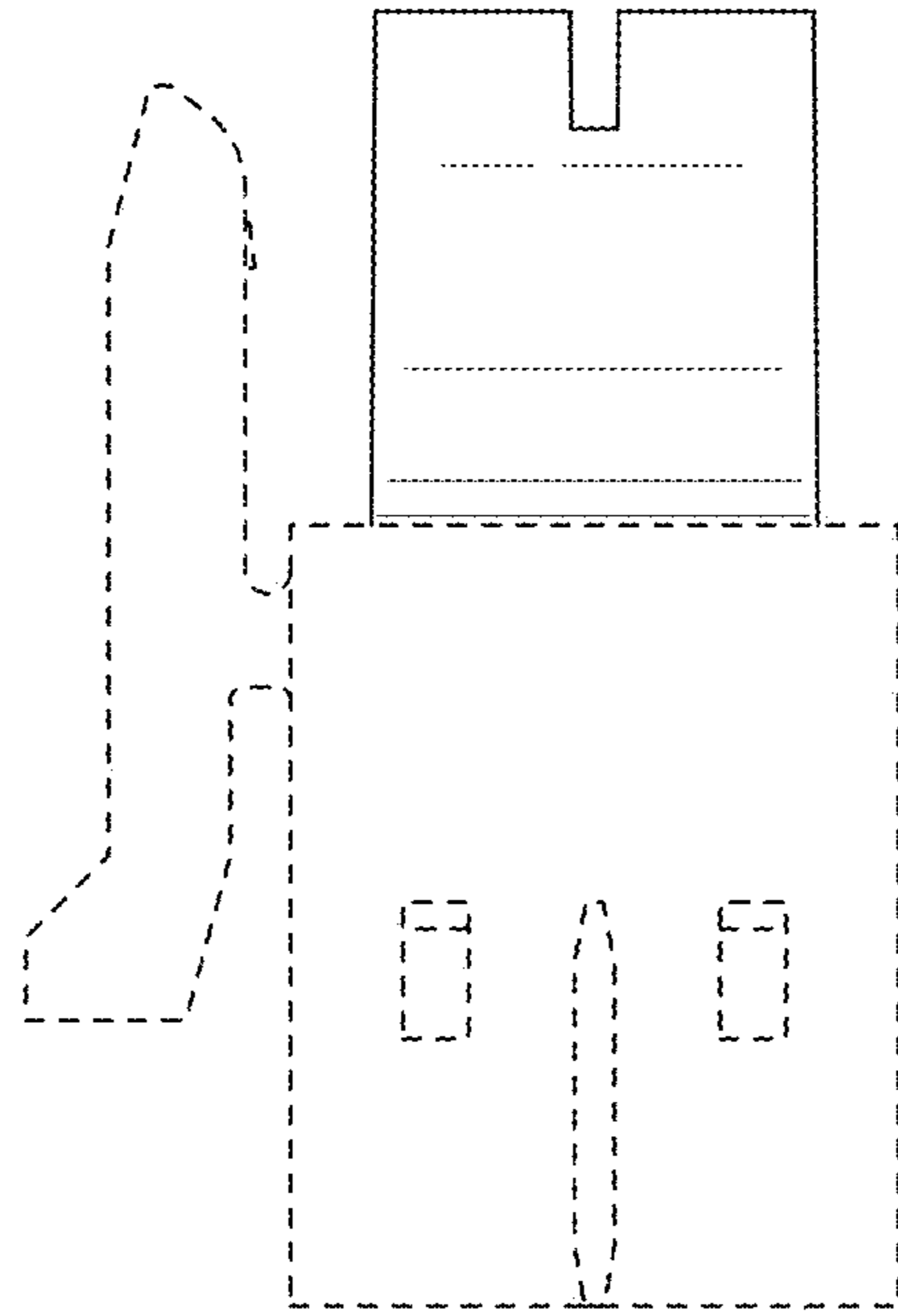


FIG. 150

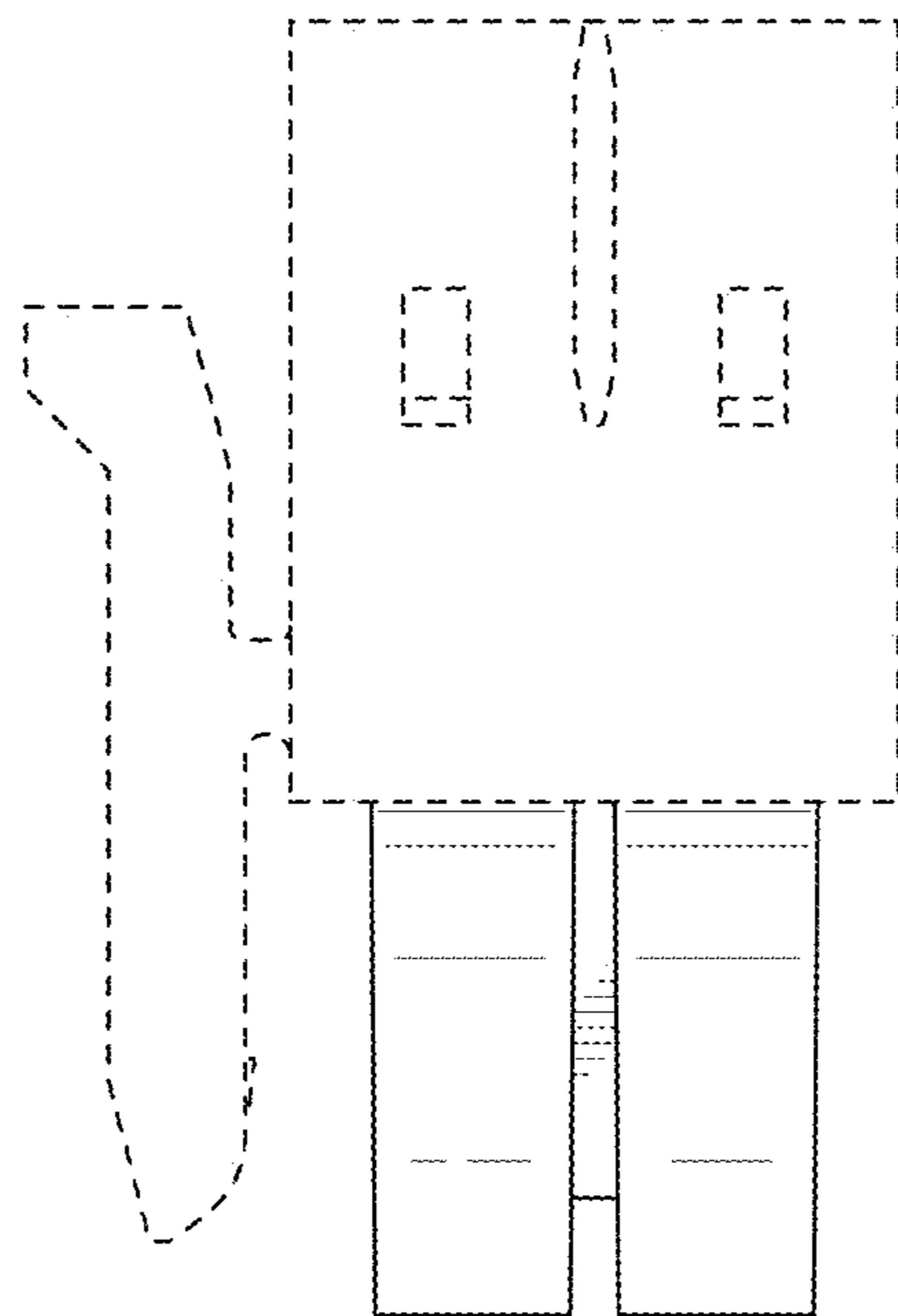


FIG. 149

FIG. 151

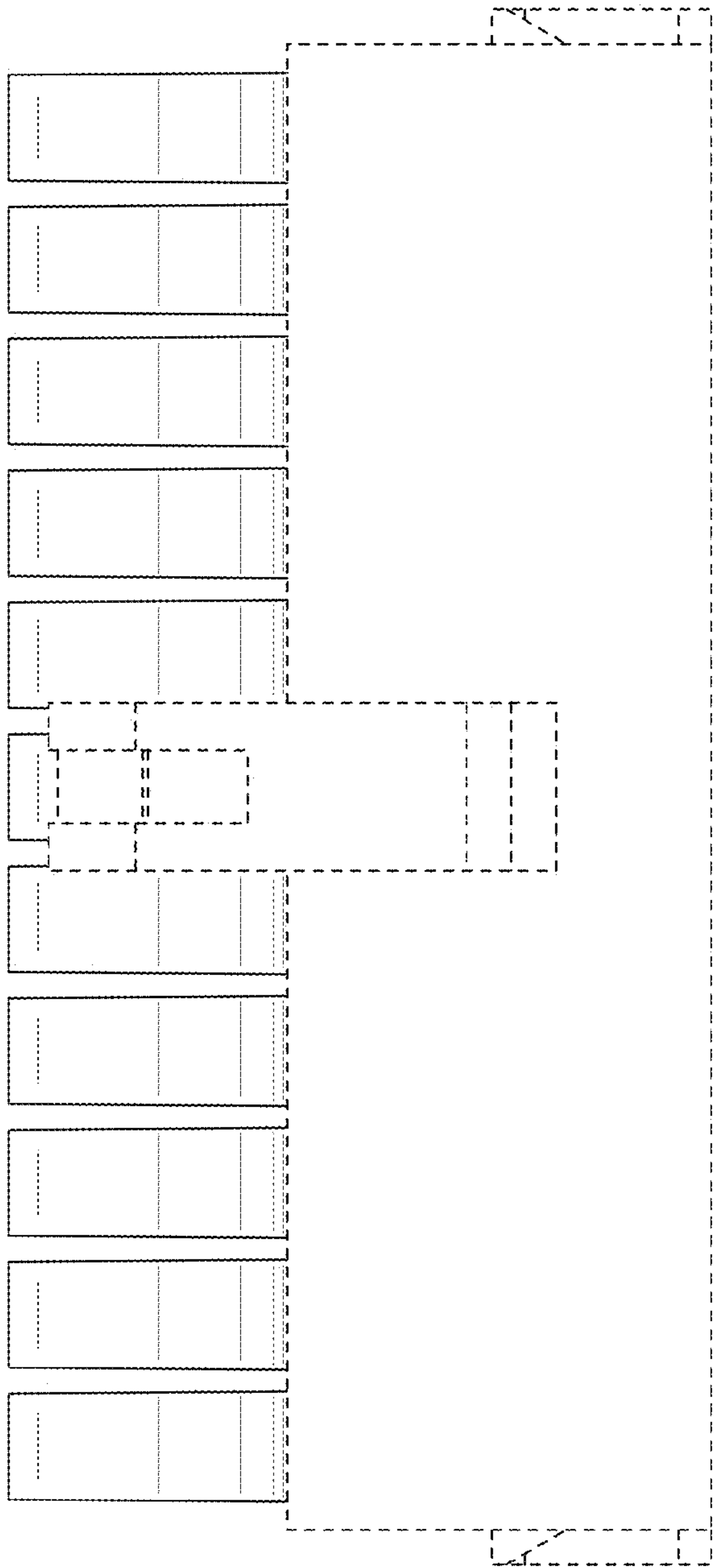
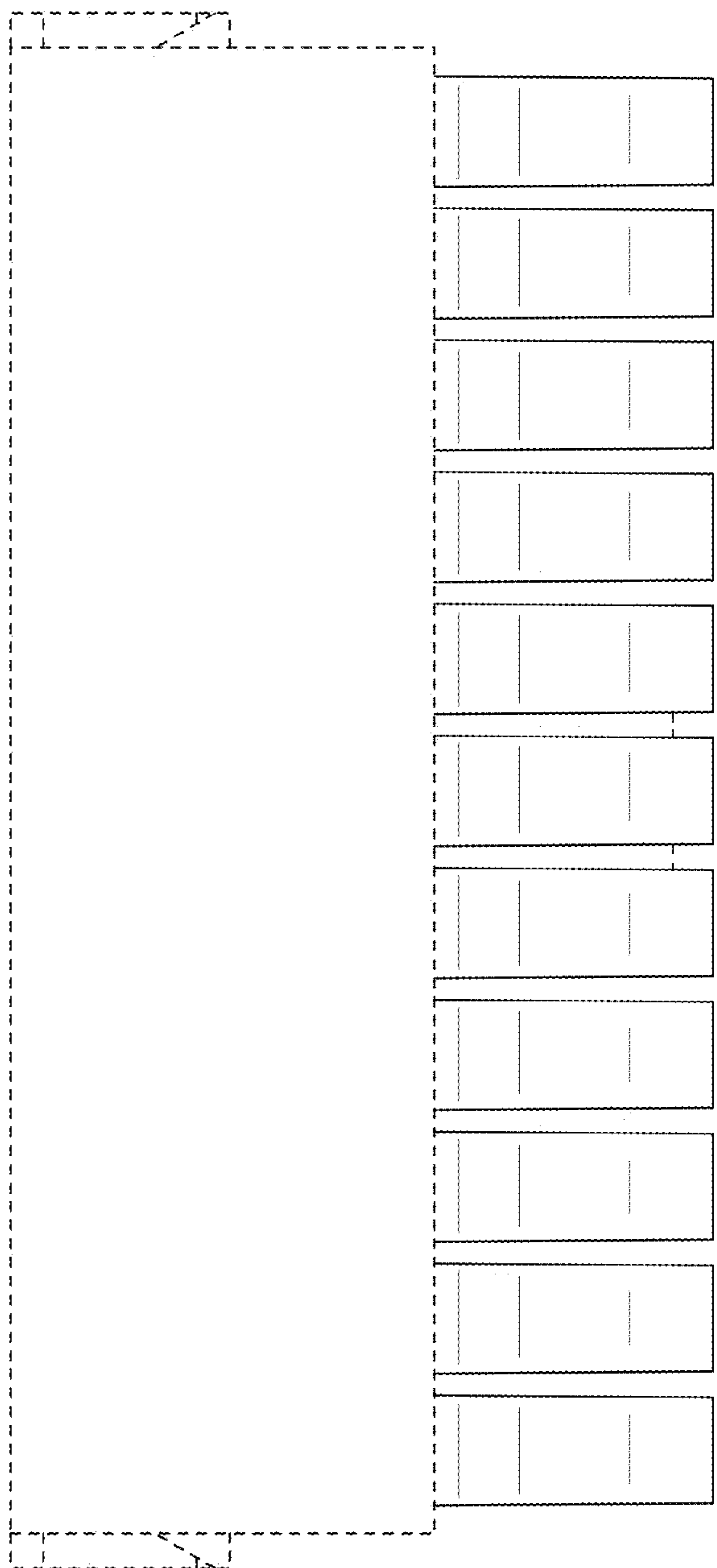


FIG. 152





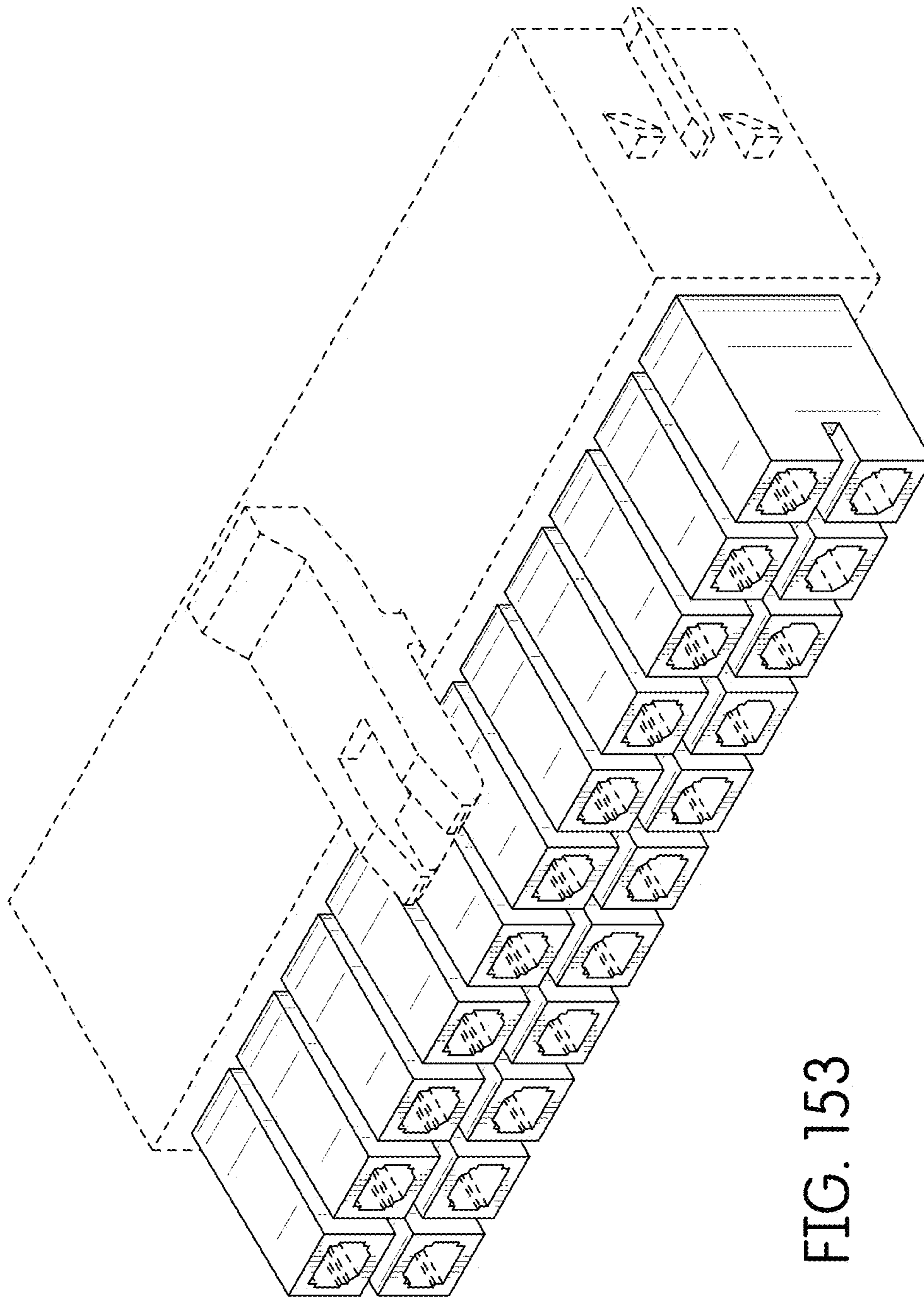


FIG. 153

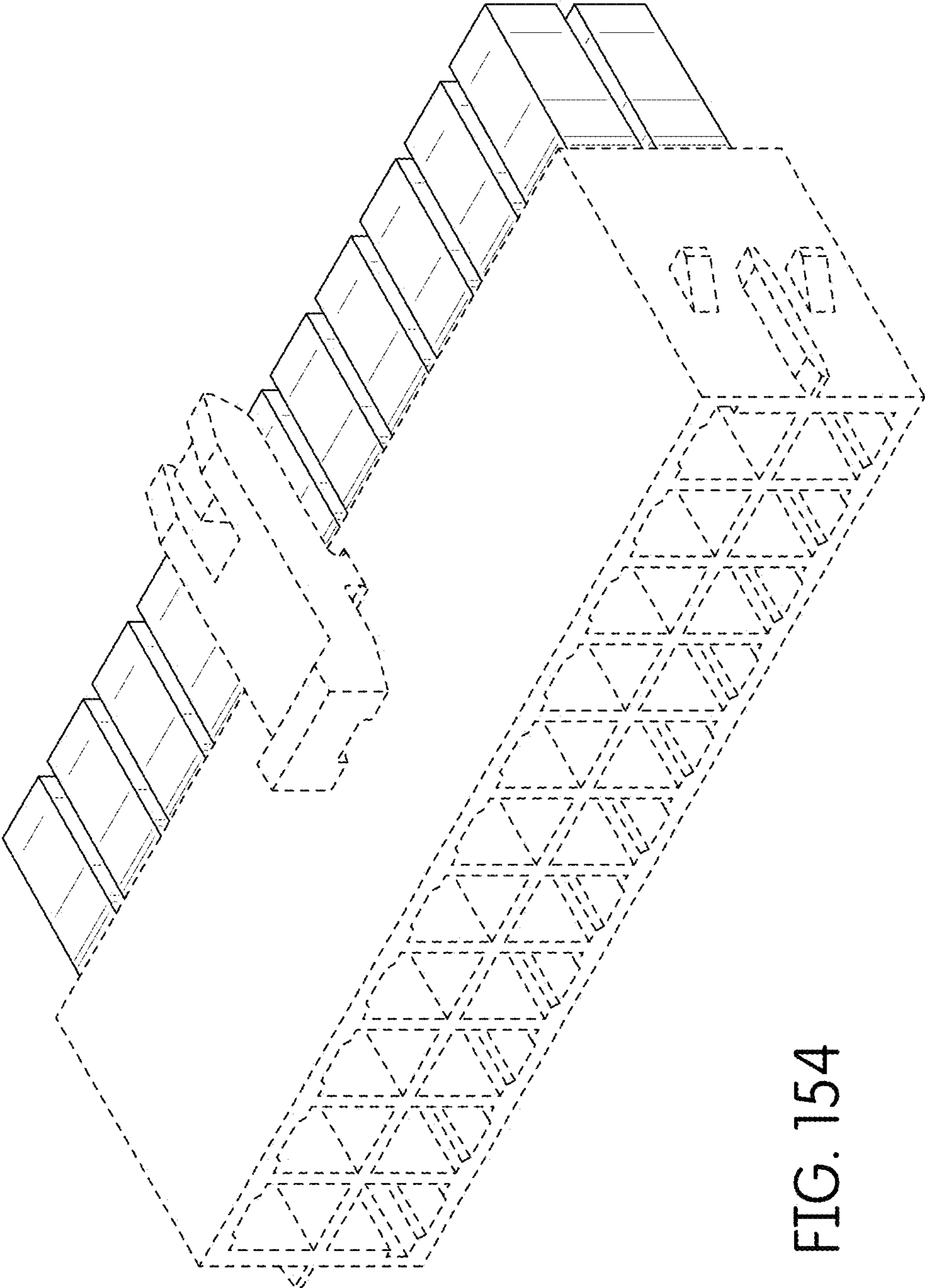


FIG. 154

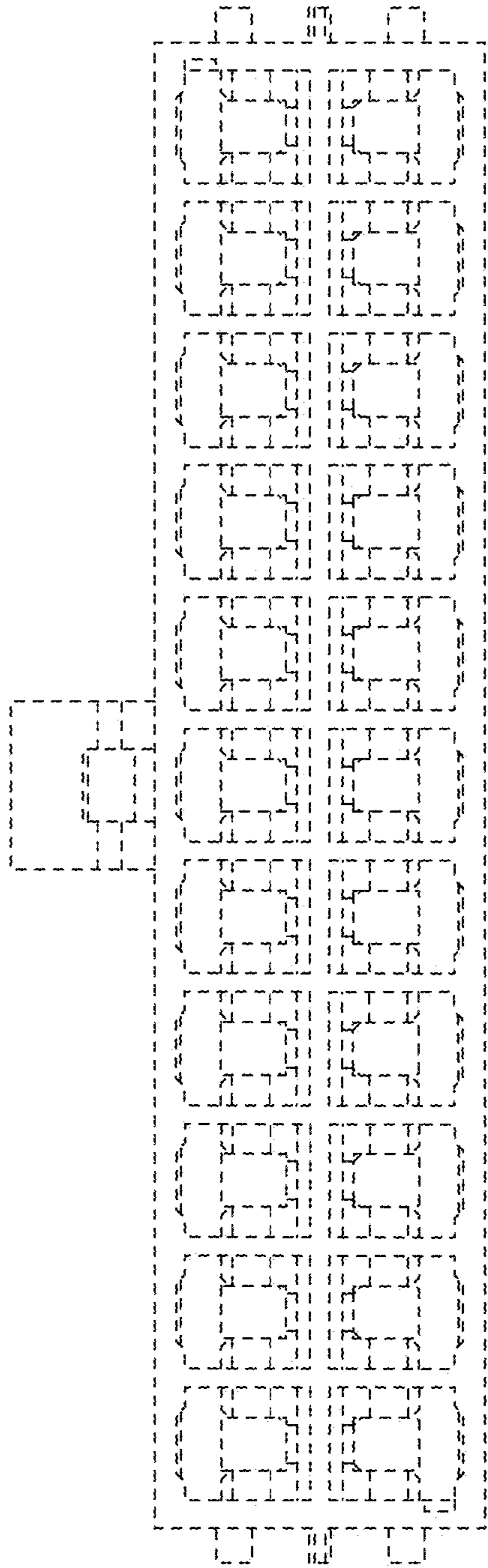


FIG. 155

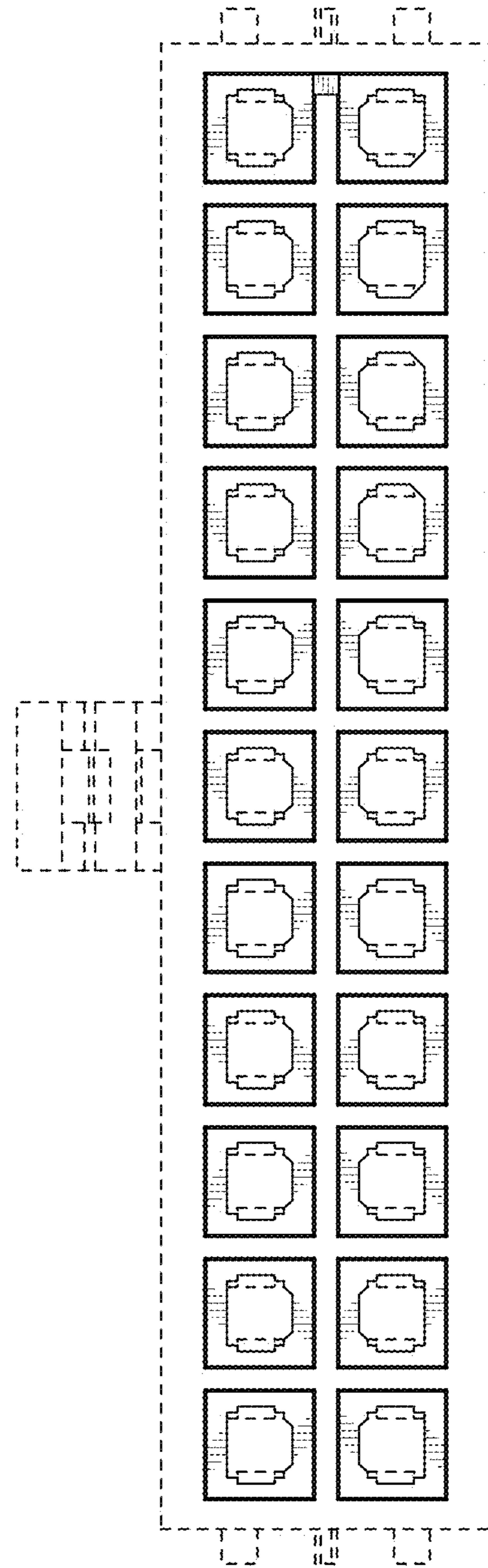


FIG. 156

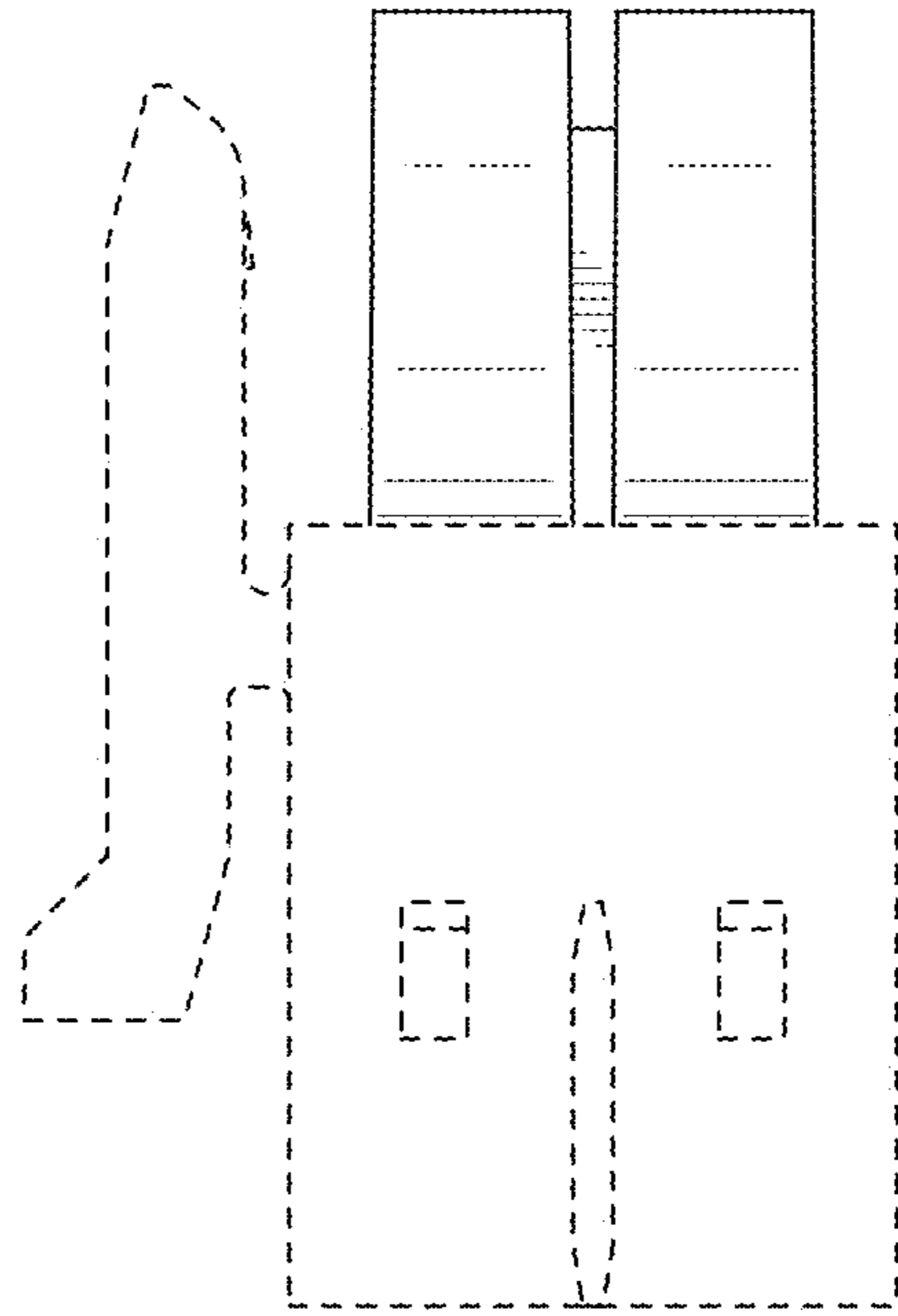


FIG. 158

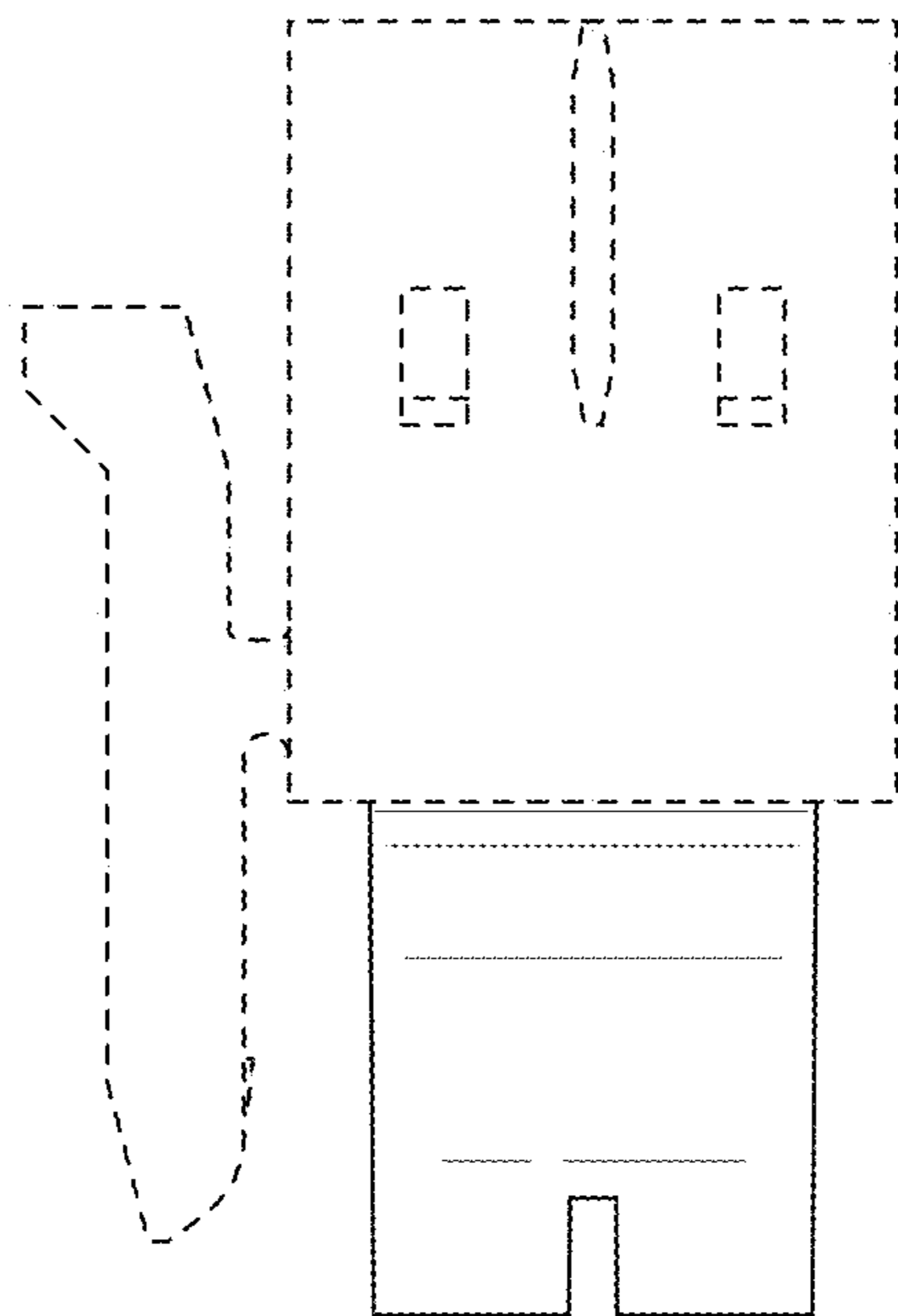


FIG. 157

FIG. 159

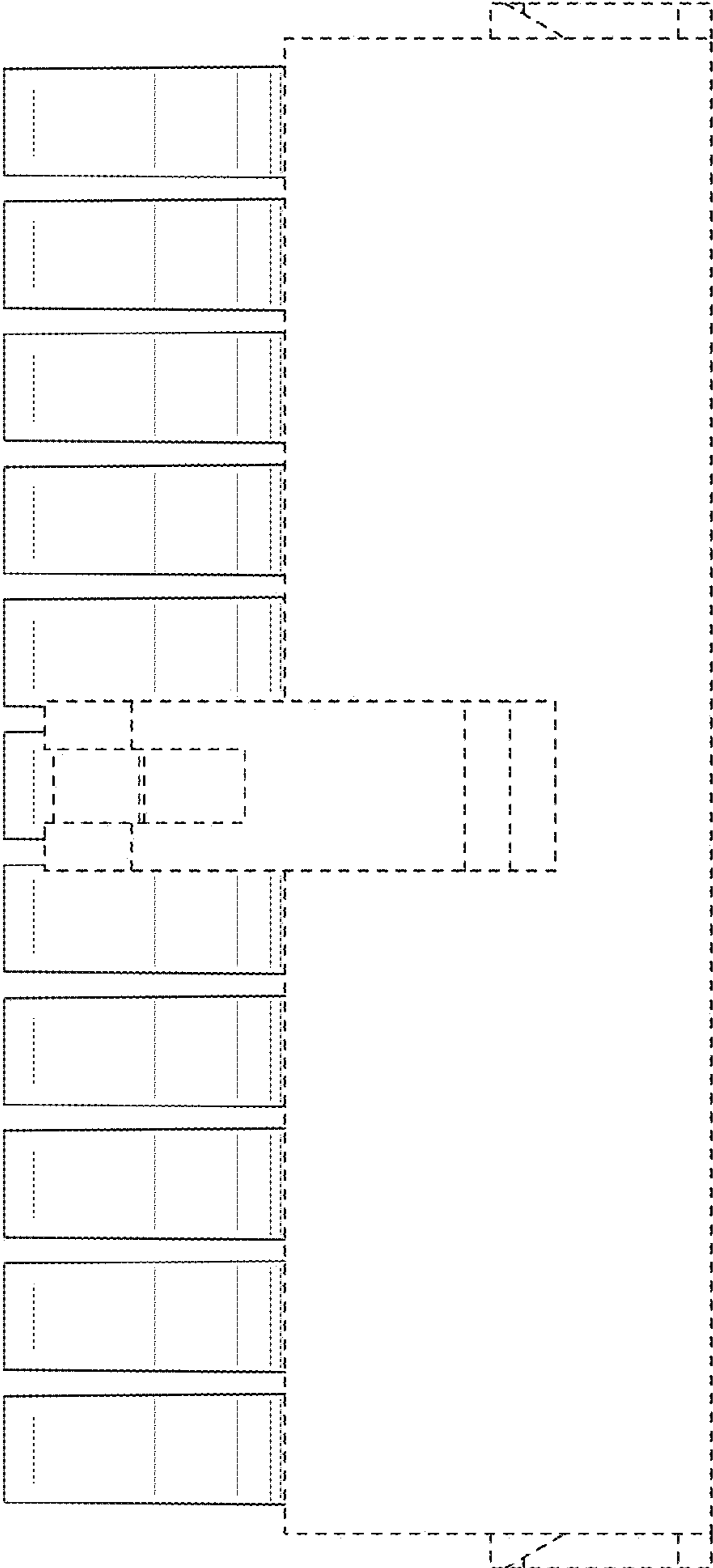
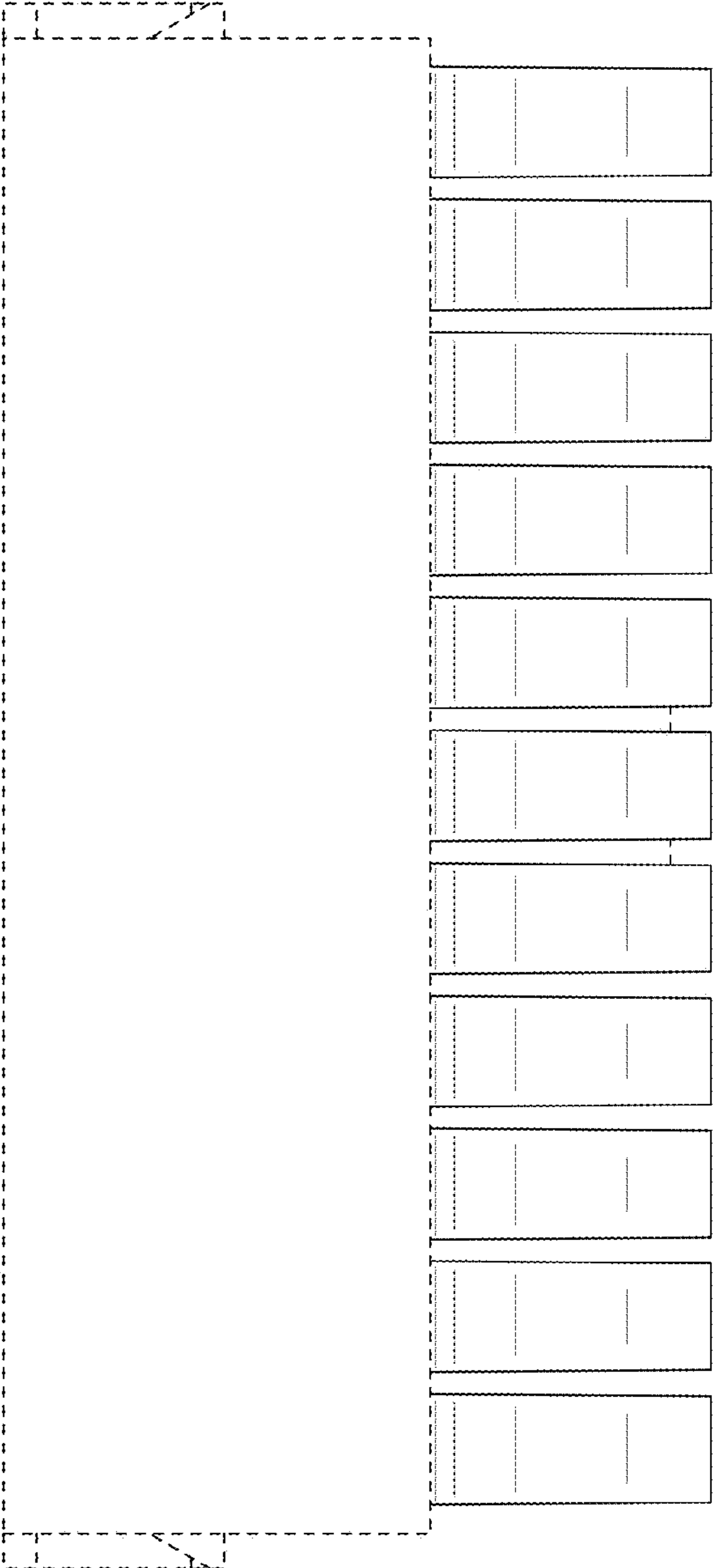


FIG. 160



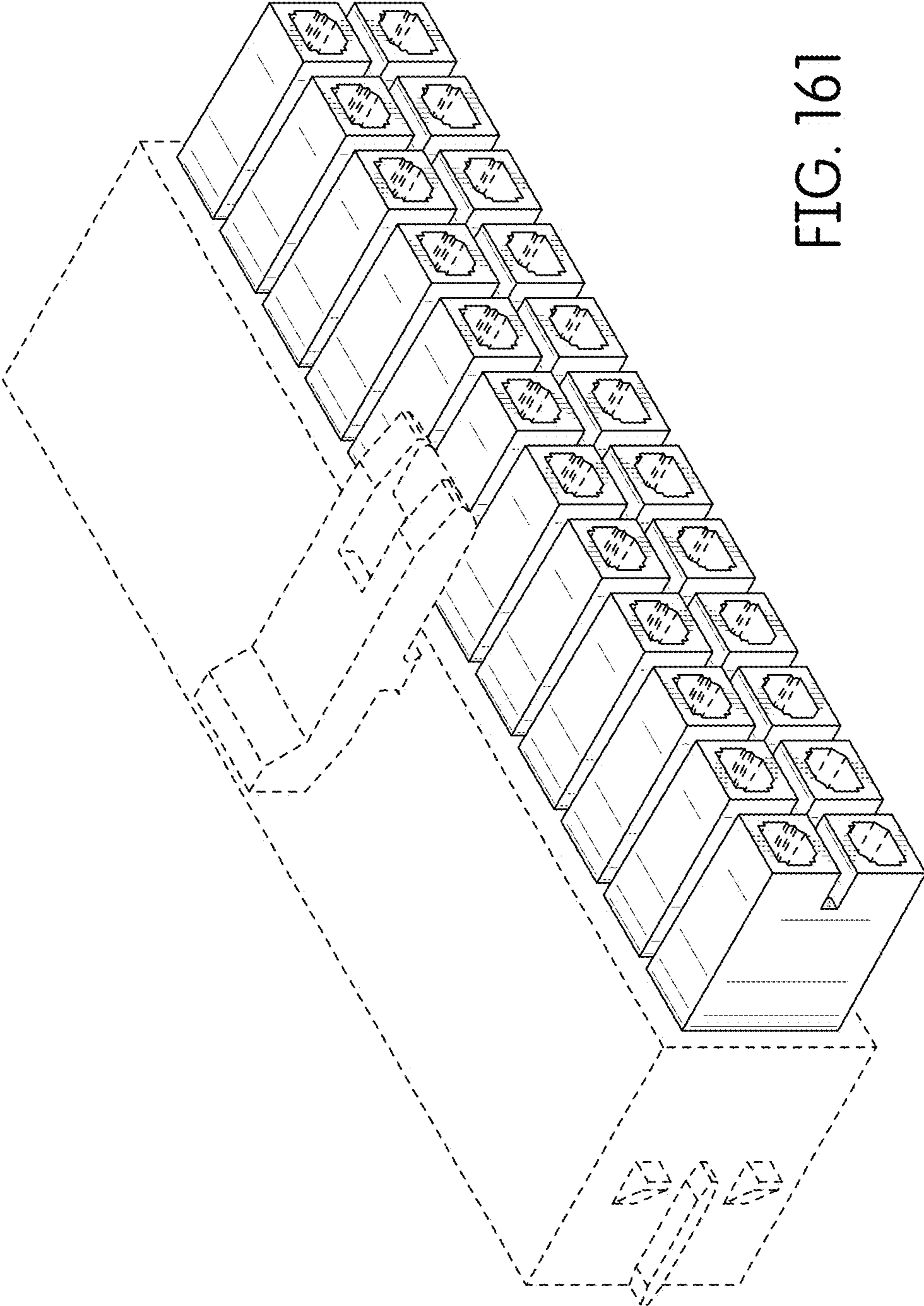


FIG. 161

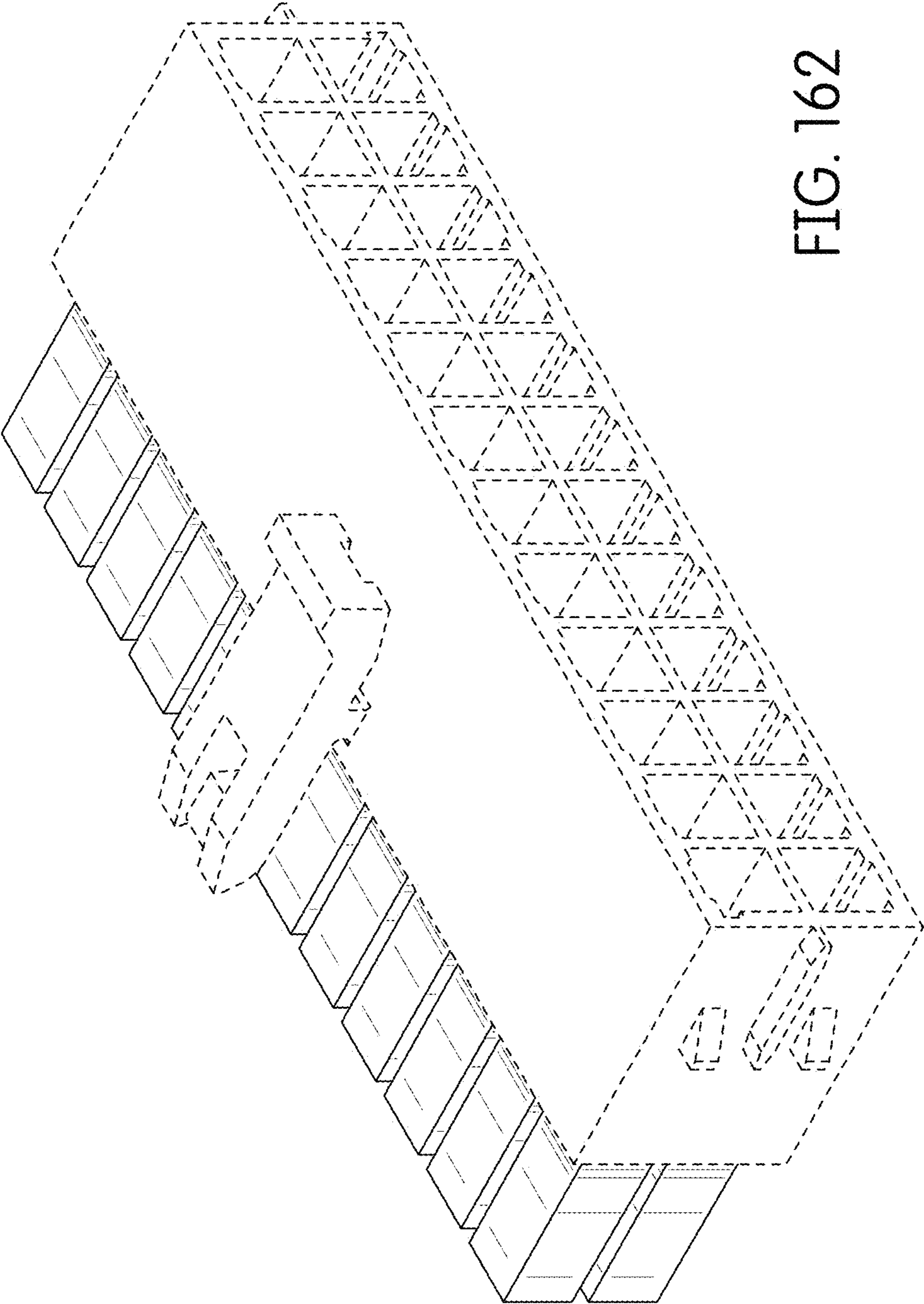


FIG. 162

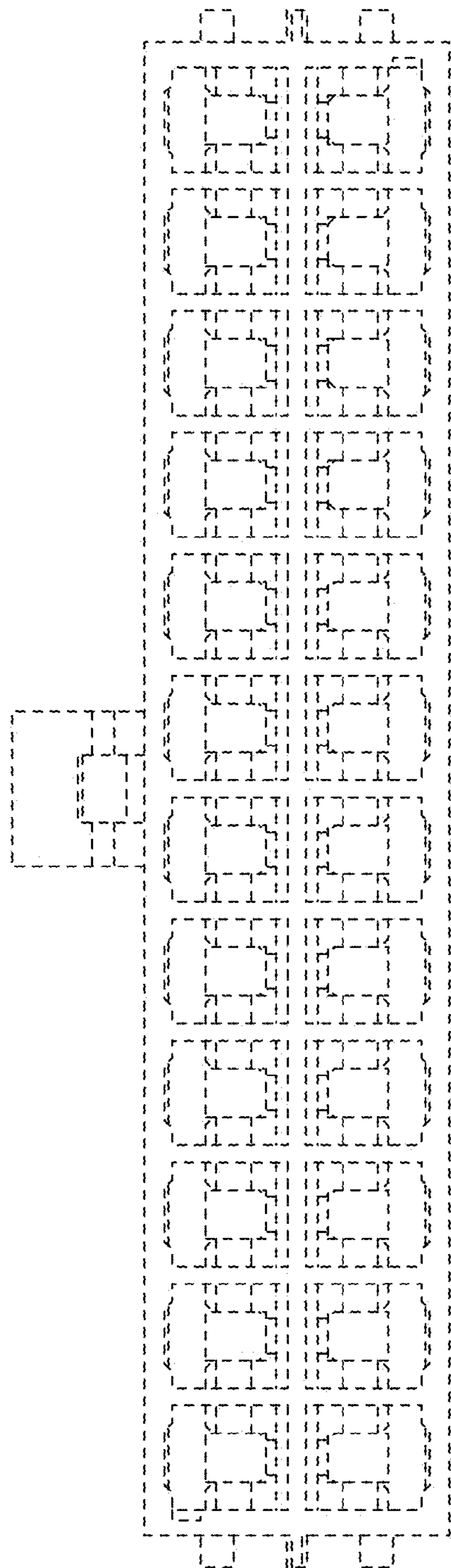


FIG. 163

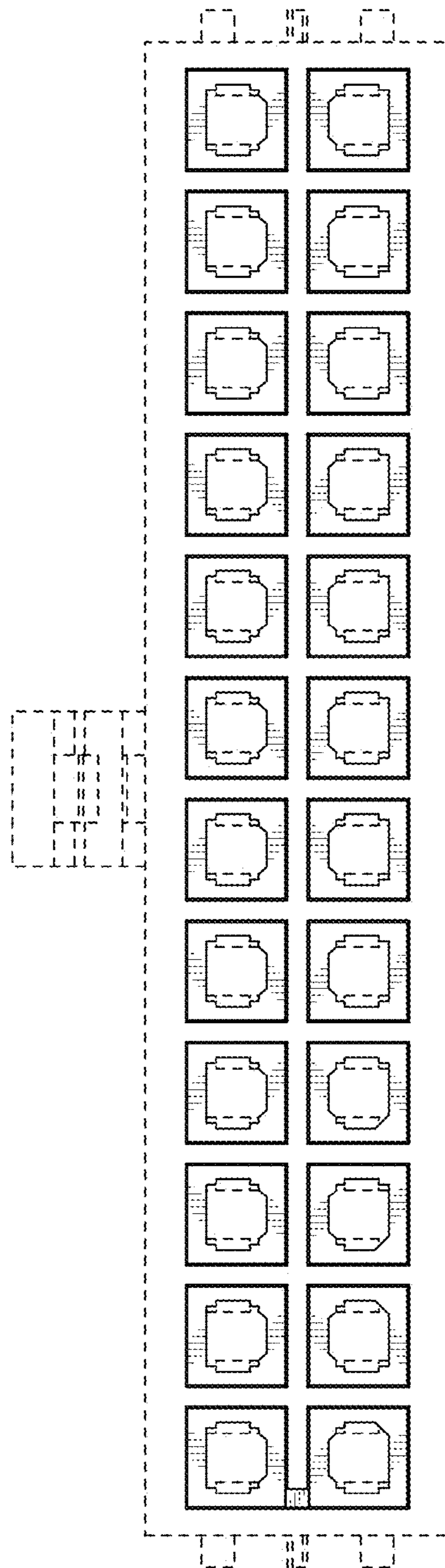


FIG. 164



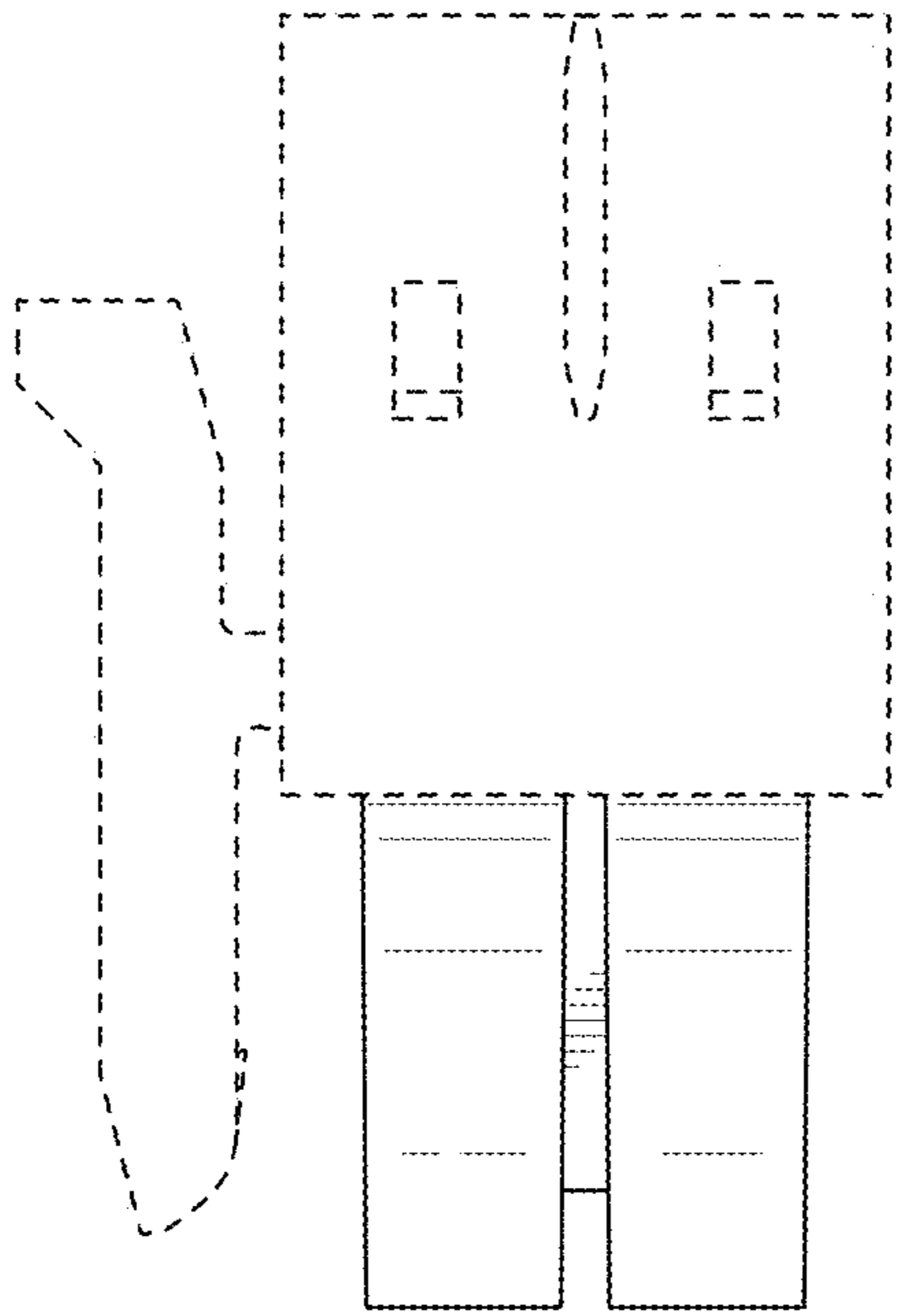


FIG. 165

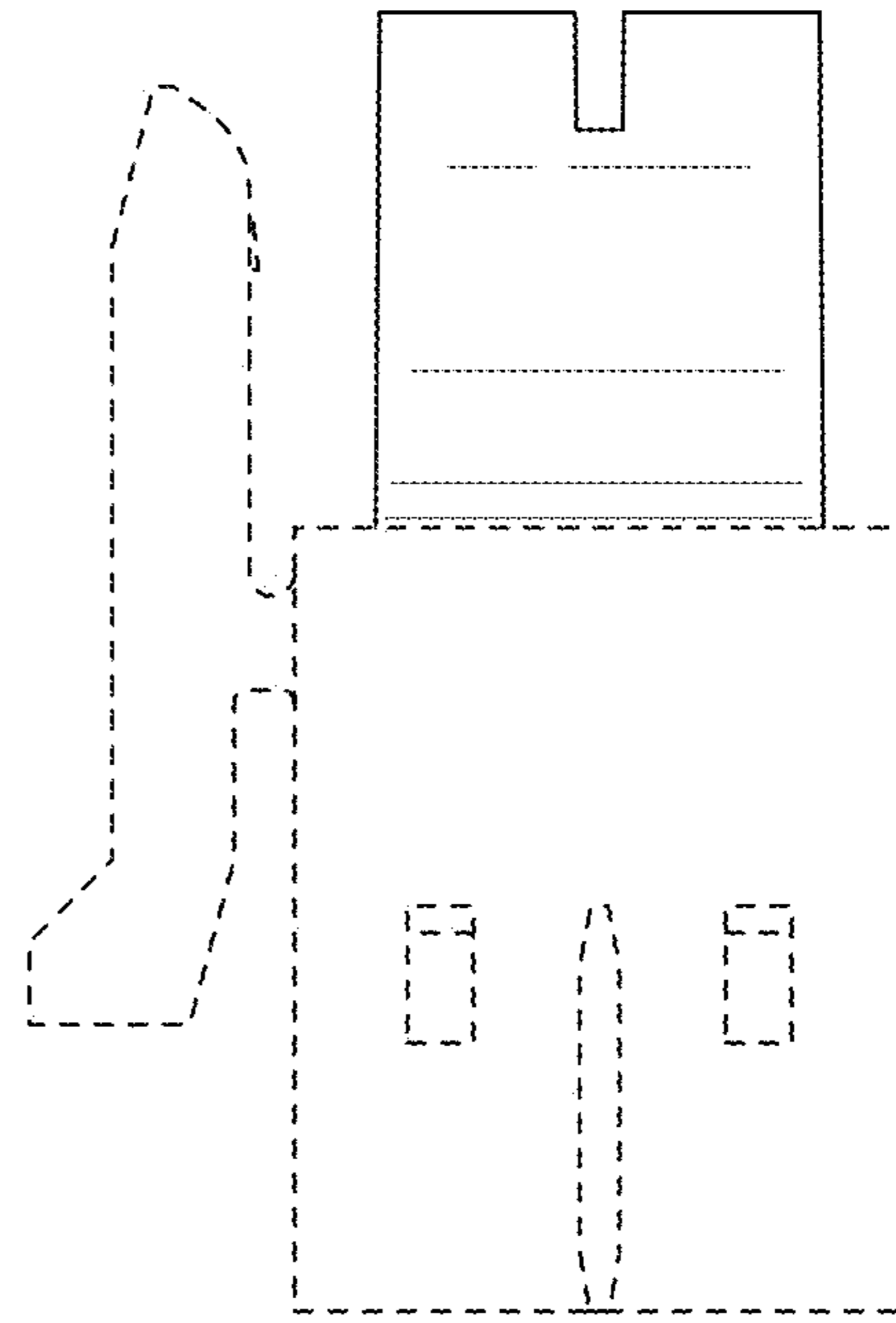


FIG. 166

FIG. 167

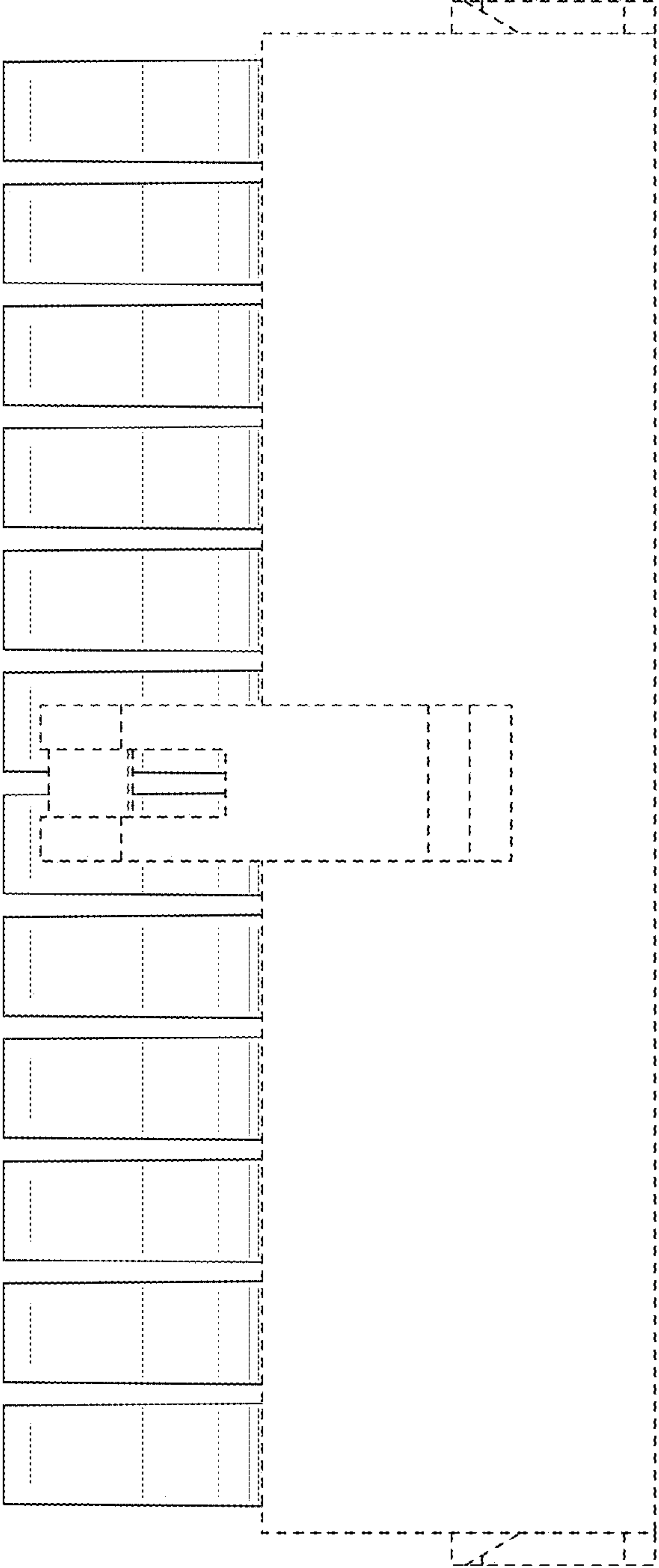
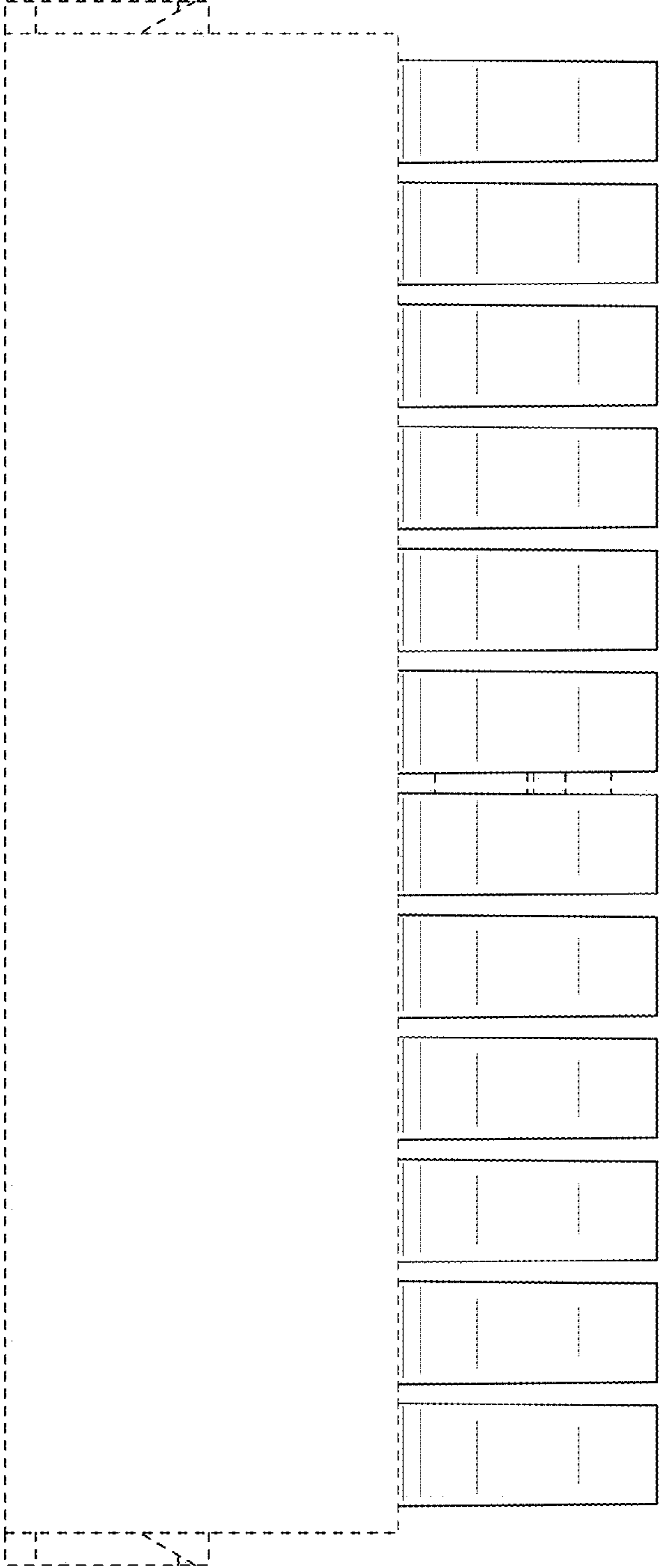


FIG. 168



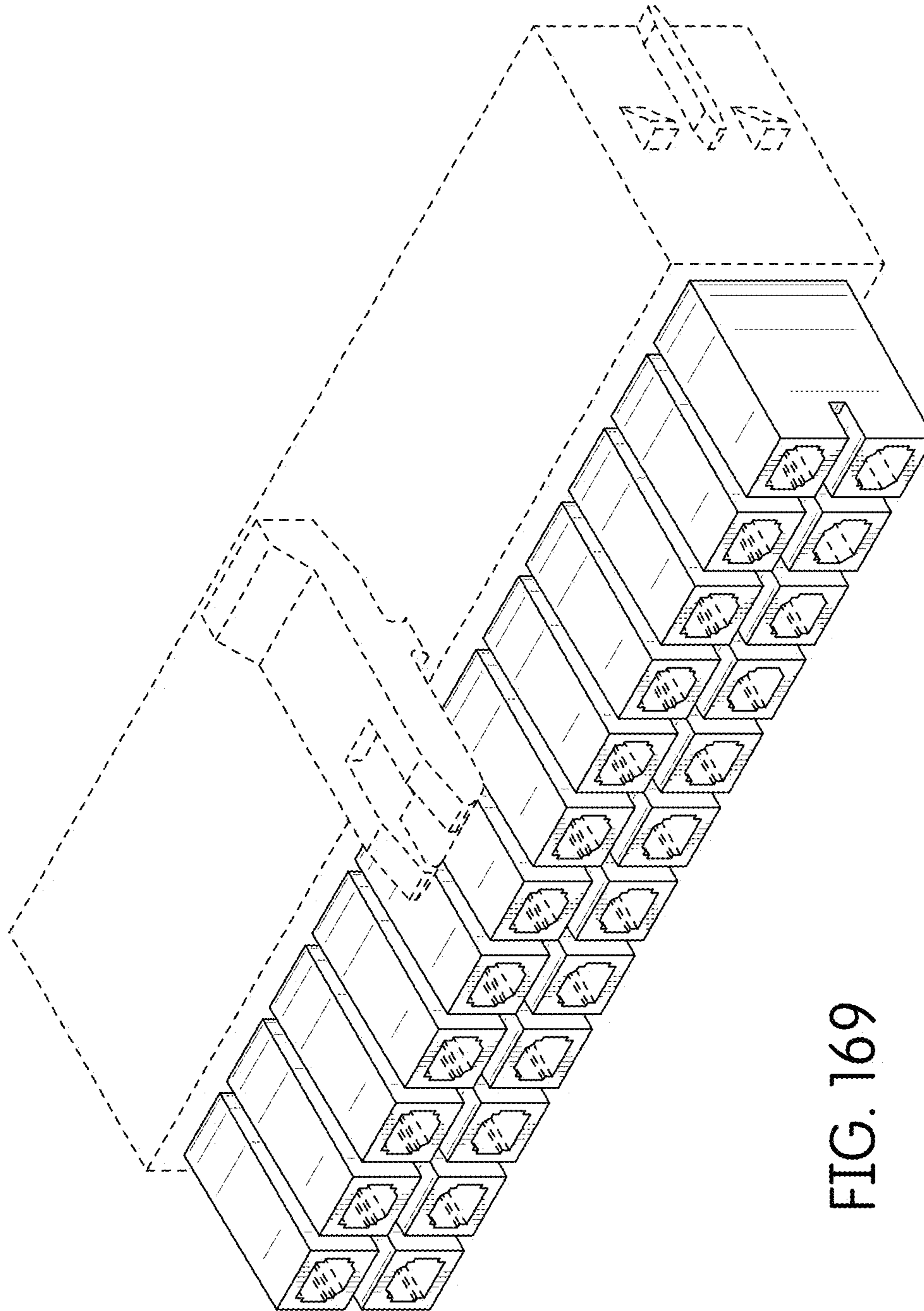


FIG. 169

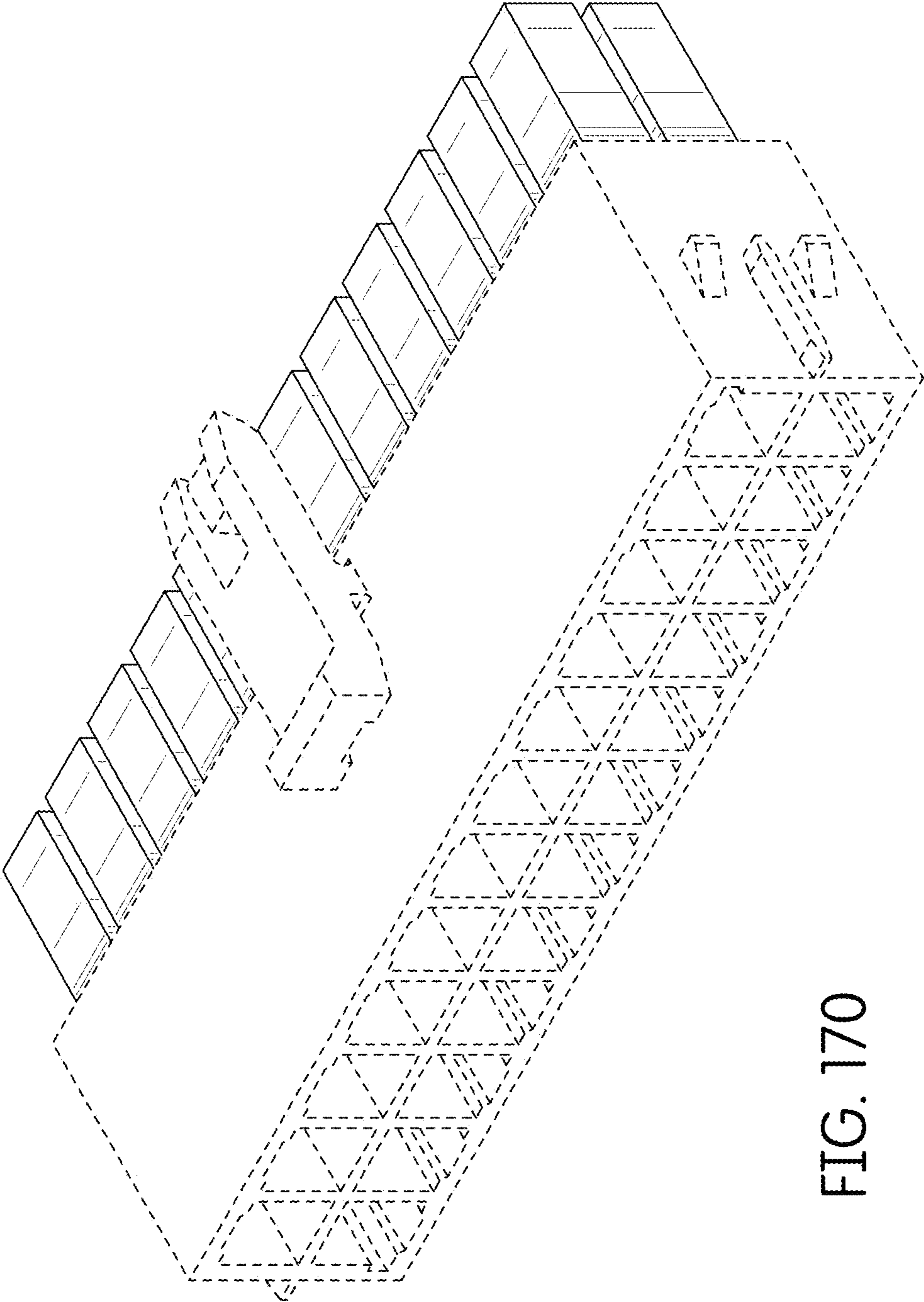


FIG. 170

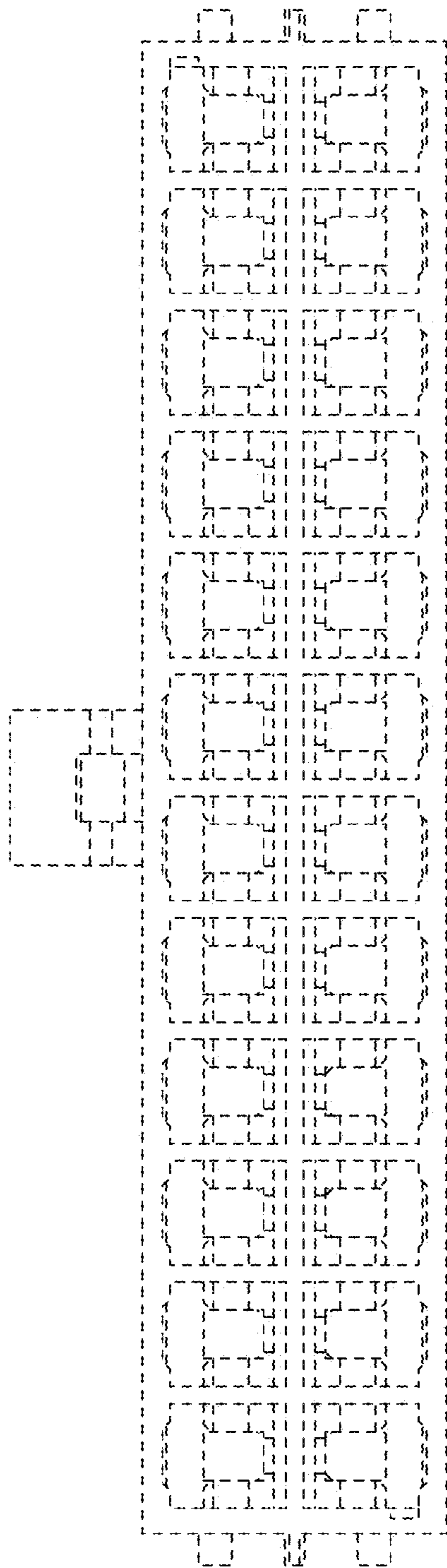


FIG. 171

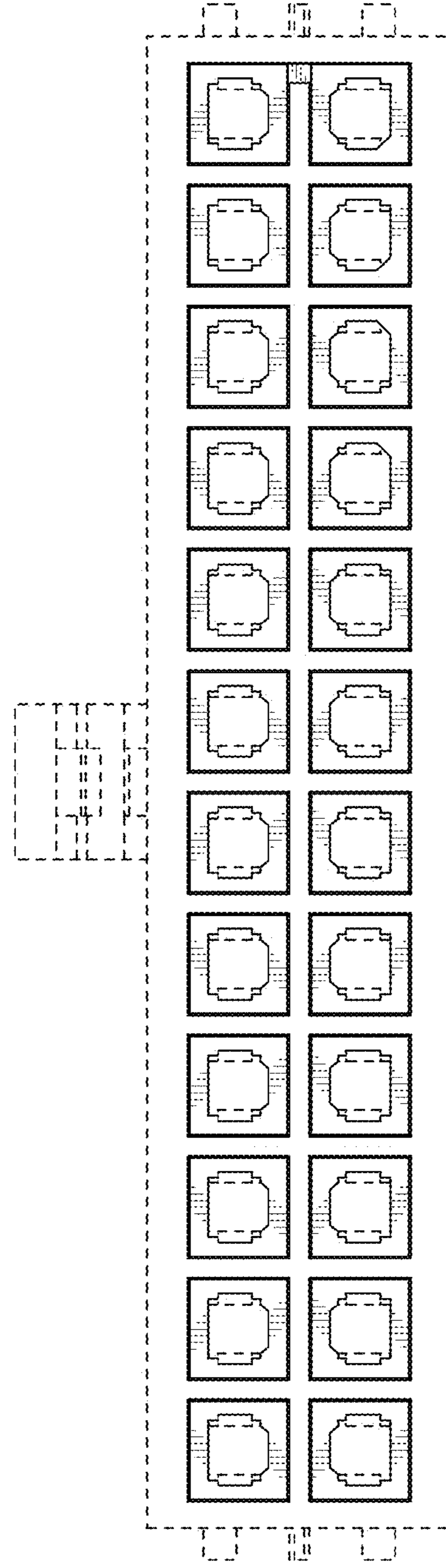


FIG. 172

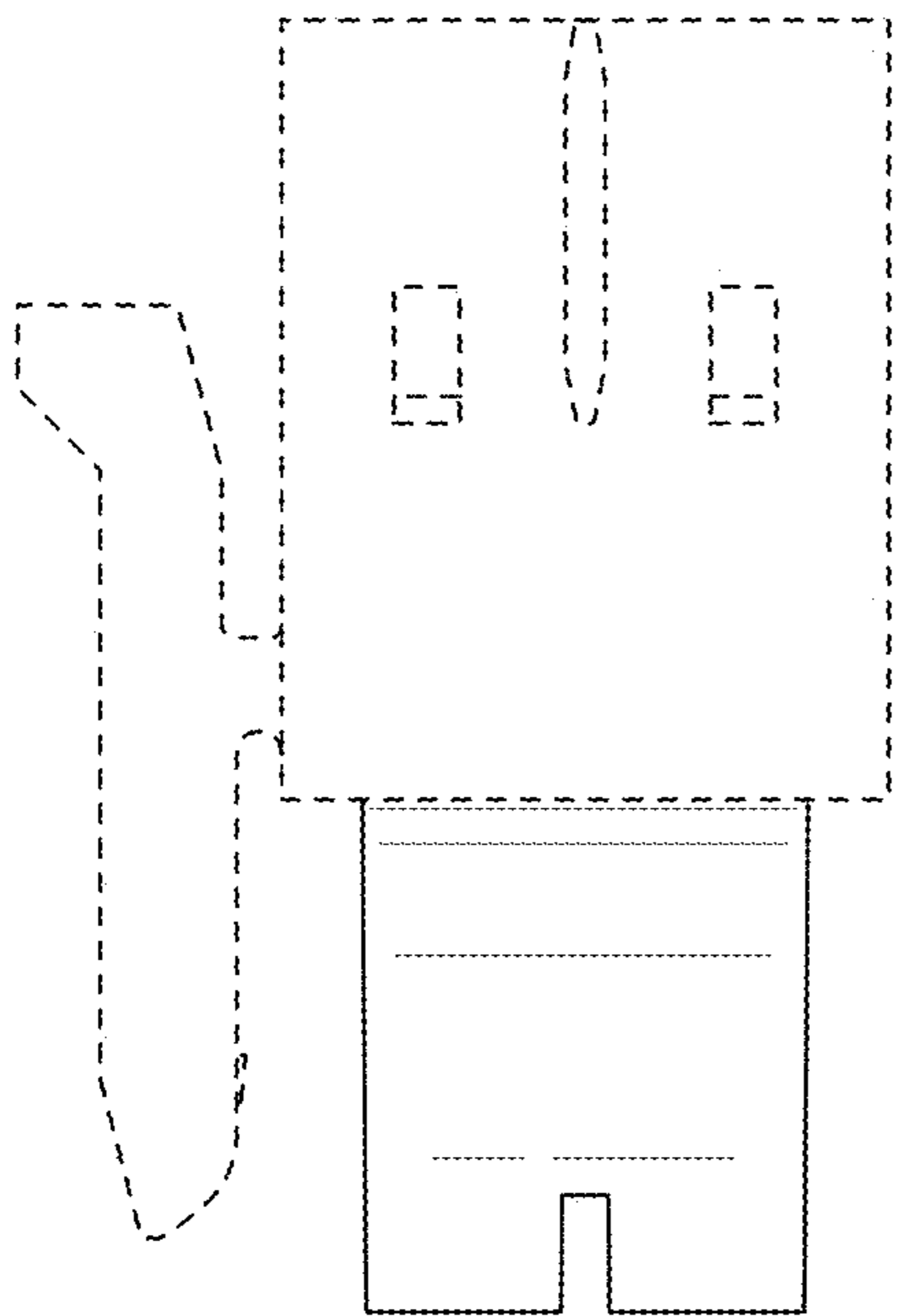


FIG. 173

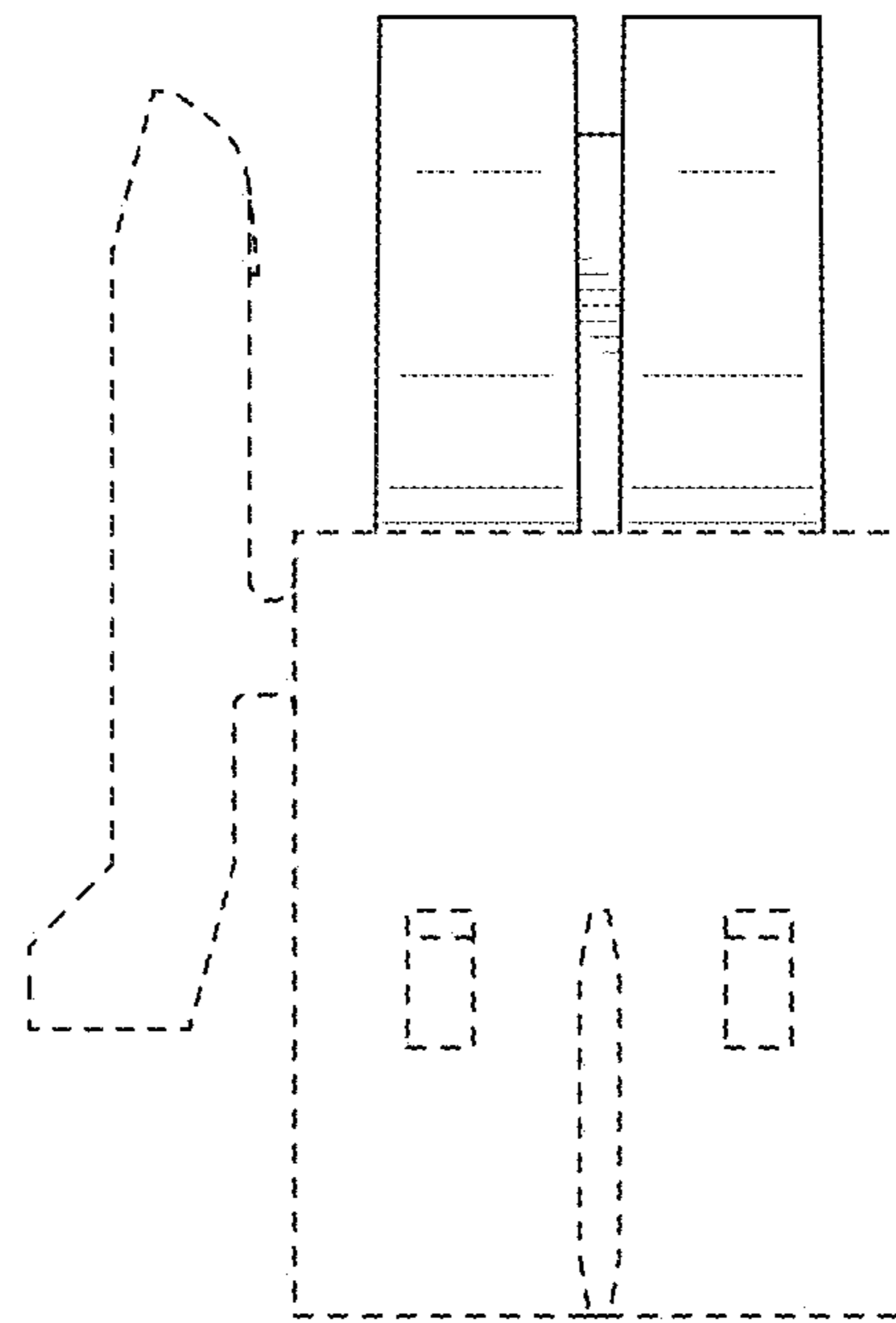


FIG. 174

FIG. 175

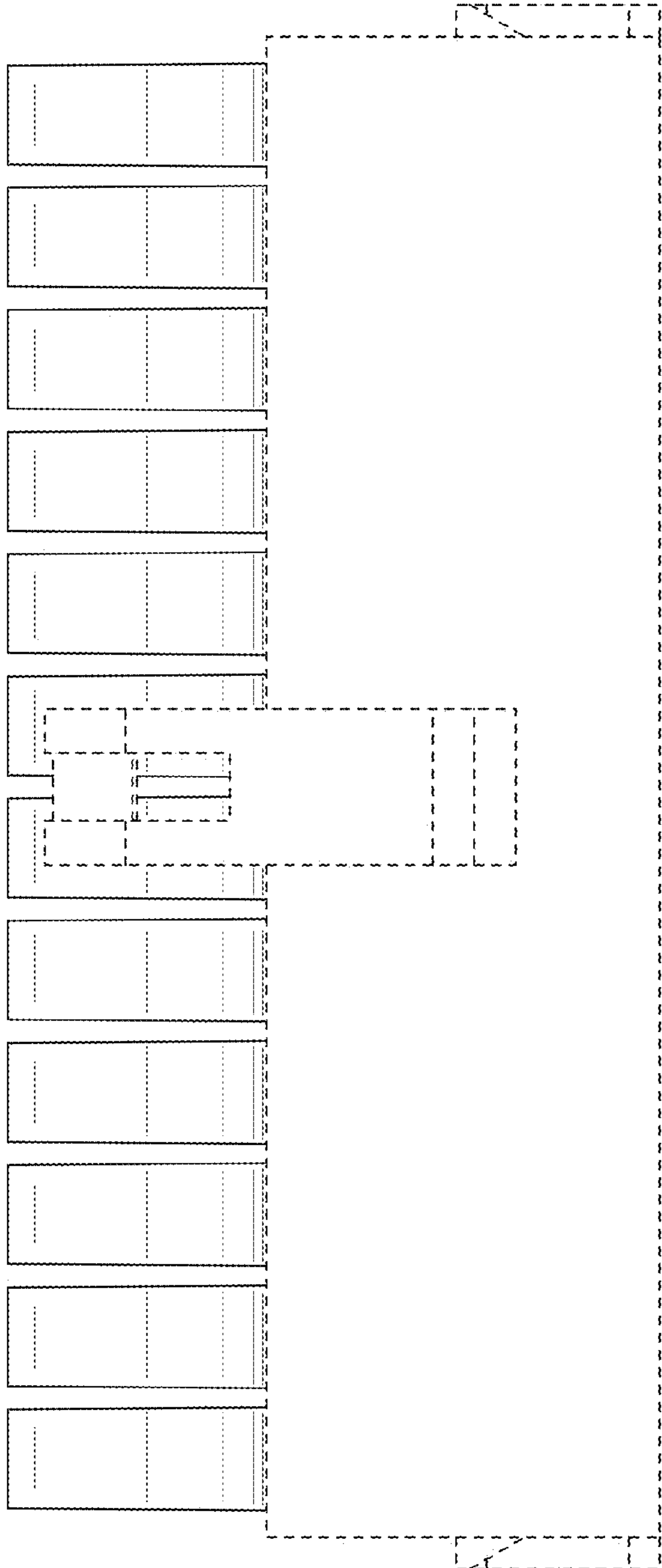


FIG. 176

