



US00D894126S

(12) **United States Design Patent**
Somanathapura Ramanna et al.

(10) **Patent No.:** **US D894,126 S**
(45) **Date of Patent:** **** Aug. 25, 2020**

(54) **CONNECTOR**

DESCRIPTION

- (71) Applicant: **Molex, LLC**, Lisle, IL (US)
 - (72) Inventors: **Nrupathunga Chakravarthy Somanathapura Ramanna**, Bangalore (IN); **Pierre Perez**, Aurora, IL (US)
 - (73) Assignee: **Molex, LLC**, Lisle, IL (US)
 - (**) Term: **15 Years**
 - (21) Appl. No.: **29/676,404**
 - (22) Filed: **Jan. 10, 2019**
 - (51) **LOC (12) Cl.** **13-03**
 - (52) **U.S. Cl.**
USPC **D13/133; D13/147**
 - (58) **Field of Classification Search**
USPC **D3/203.1-203.3; D13/133, 146, 147, D13/154, 184, 153**
- (Continued)

(56) **References Cited**

U.S. PATENT DOCUMENTS

- D410,629 S * 6/1999 Bandura D13/147
 - D426,194 S * 6/2000 Ko D13/147
- (Continued)

OTHER PUBLICATIONS

Connector Housing, Oct. 27, 2017, [online], [site visited Apr. 16, 2020], Available from Internet URL: <https://canada.newark.com/molex/43020-0400/plug-socket-housing-plug-polyester/dp/01H6823> (Year: 2017).*

(Continued)

Primary Examiner — Karen E Kearney

Assistant Examiner — Michael Chong

(74) *Attorney, Agent, or Firm* — Banner & Witcoff, Ltd.

(57) **CLAIM**

The ornamental design for a connector, as shown and described.

FIG. 1 is a front perspective view of a connector showing our new design;
 FIG. 2 is a front view thereof;
 FIG. 3 is a rear view thereof;
 FIG. 4 is a left side view thereof;
 FIG. 5 is a right side view thereof;
 FIG. 6 is a top view thereof;
 FIG. 7 is a bottom view thereof;
 FIG. 8 is a front perspective view of an alternate embodiment of a connector which is a mirror image of the connector of FIGS. 1-7;
 FIG. 9 is a front view thereof;
 FIG. 10 is a rear view thereof;
 FIG. 11 is a left side view thereof;
 FIG. 12 is a right side view thereof;
 FIG. 13 is a top view thereof;
 FIG. 14 is a bottom view thereof;
 FIG. 15 is a front perspective view of an alternate embodiment of a connector showing our new design;
 FIG. 16 is a front view thereof;
 FIG. 17 is a rear view thereof;
 FIG. 18 is a left side view thereof;
 FIG. 19 is a right side view thereof;
 FIG. 20 is a top view thereof;
 FIG. 21 is a bottom view thereof;
 FIG. 22 is a front perspective view of an alternate embodiment of a connector showing our new design which is a mirror image of the connector of FIGS. 15-21;
 FIG. 23 is a front view thereof;
 FIG. 24 is a rear view thereof;
 FIG. 25 is a left side view thereof;
 FIG. 26 is a right side view thereof;
 FIG. 27 is a top view thereof;
 FIG. 28 is a bottom view thereof;
 FIG. 29 is a front perspective view of an alternate embodiment of a connector showing our new design;
 FIG. 30 is a front view thereof;
 FIG. 31 is a rear view thereof;
 FIG. 32 is a left side view thereof;
 FIG. 33 is a right side view thereof;
 FIG. 34 is a top view thereof;

(Continued)

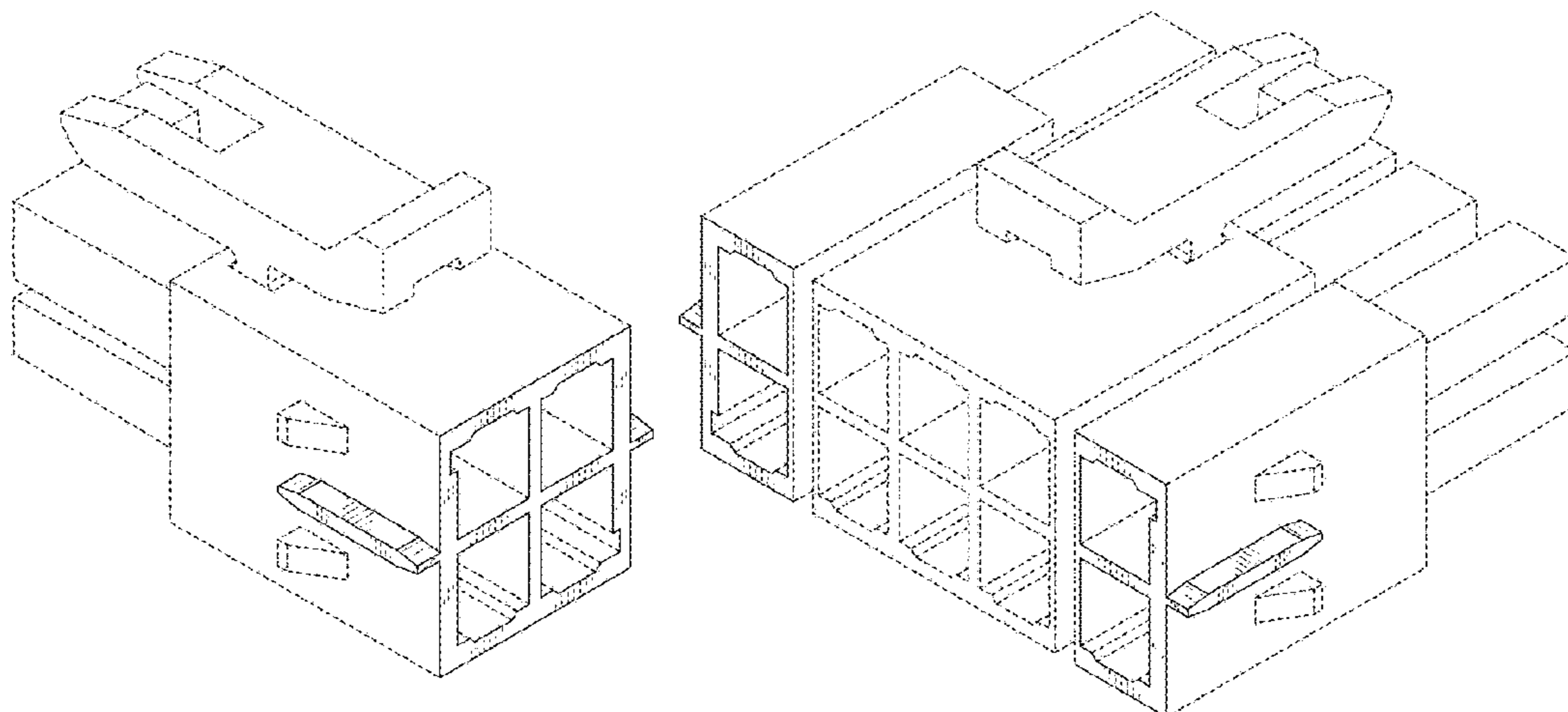


FIG. 35 is a bottom view thereof;
 FIG. 36 is a front perspective view of an alternate embodiment of a connector showing our new design which is a mirror image of the connector of FIGS. 29-35;
 FIG. 37 is a front view thereof;
 FIG. 38 is a rear view thereof;
 FIG. 39 is a left side view thereof;
 FIG. 40 is a right side view thereof;
 FIG. 41 is a top view thereof;
 FIG. 42 is a bottom view thereof;
 FIG. 43 is a front perspective view of an alternate embodiment of a connector showing our new design;
 FIG. 44 is a front view thereof;
 FIG. 45 is a rear view thereof;
 FIG. 46 is a left side view thereof;
 FIG. 47 is a right side view thereof;
 FIG. 48 is a top view thereof;
 FIG. 49 is a bottom view thereof;
 FIG. 50 is a front perspective view of an alternate embodiment of a connector showing our new design which is a mirror image of the connector of FIGS. 43-49;
 FIG. 51 is a front view thereof;
 FIG. 52 is a rear view thereof;
 FIG. 53 is a left side view thereof;
 FIG. 54 is a right side view thereof;
 FIG. 55 is a top view thereof; and,
 FIG. 56 is a bottom view thereof.

The broken lines immediately adjacent to the shaded areas represent the bounds of the claimed design and form no part thereof. The broken lines depicting the remainder of the connector show features that form no part of the claimed design. The connector is shown with a symbolic break in

length. The appearance of any portion of the connector between the break lines indicated by brackets forms no part of the claimed design.

1 Claim, 48 Drawing Sheets

(58) **Field of Classification Search**

CPC .. H01R 13/506; H01R 13/516; H01R 13/518;
 H01R 13/58; H01R 13/627; H01R
 13/6315; H01R 13/6586; H01R 13/5897;
 H01R 13/24; H01R 13/5205

See application file for complete search history.

(56) **References Cited**

U.S. PATENT DOCUMENTS

6,113,414	A	*	9/2000	Fukuda	H01R 13/639 439/352
D488,778	S	*	4/2004	Ushiro	D13/133
D524,755	S	*	7/2006	Kudo	D13/147
D604,248	S	*	11/2009	Sakamoto	D13/147
D608,285	S	*	1/2010	Sato	D13/146
D610,997	S	*	3/2010	Sakamoto	D13/147
D750,562	S	*	3/2016	Makimura	D13/133
D773,998	S	*	12/2016	Endo	D13/147
D807,301	S		1/2018	Ito	
D832,788	S	*	11/2018	Li	D13/147

OTHER PUBLICATIONS

Receptacle Housing, Apr. 17, 2020, [online], [site visited Apr. 17, 2020], Available from Internet URL: <https://americas.rsdelivers.com/product/jst/psip-08v-1e/psi-4mm-receptacle-housing-plug-8p/1385613> (Year: 2020).*

* cited by examiner

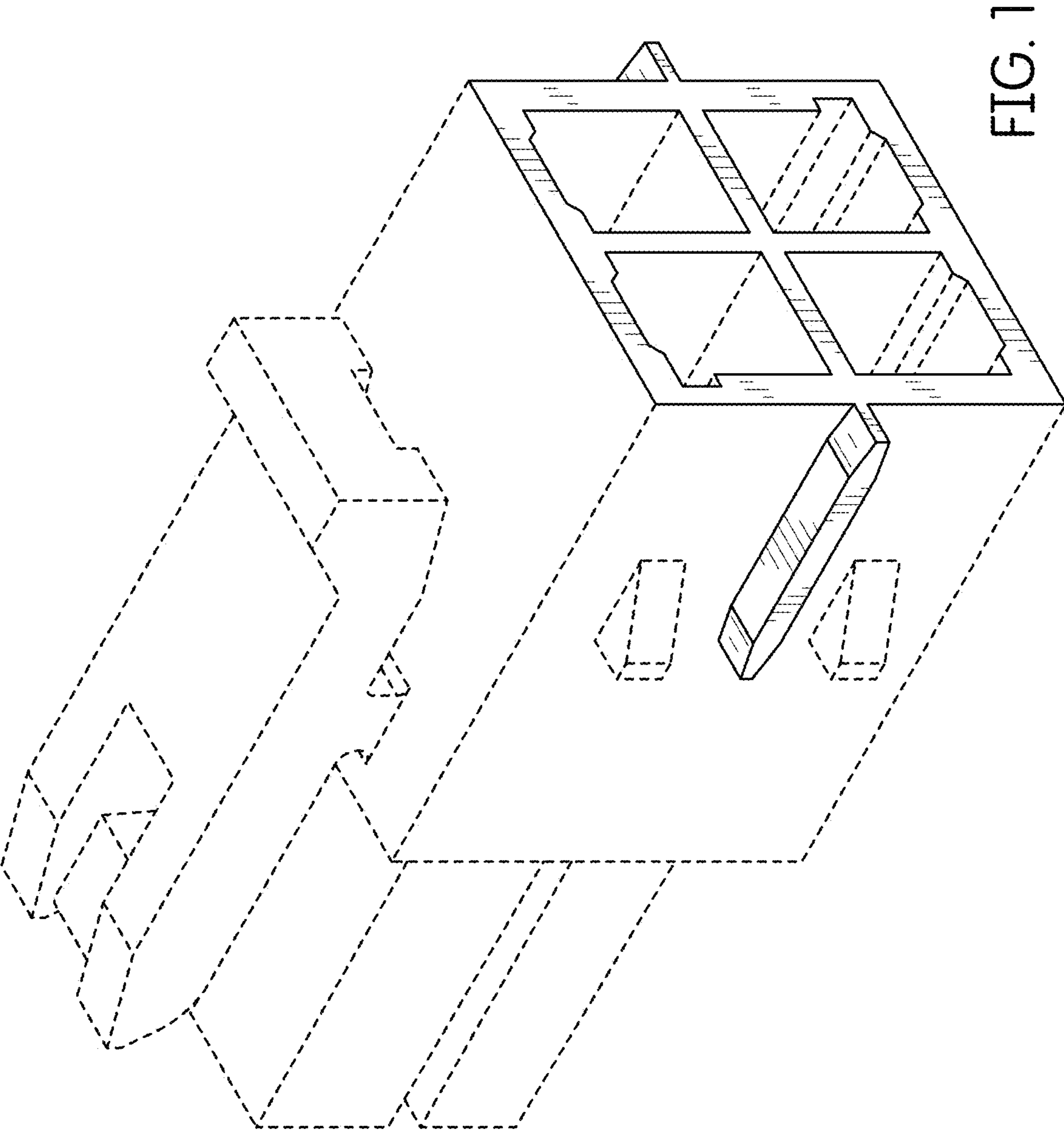


FIG. 1

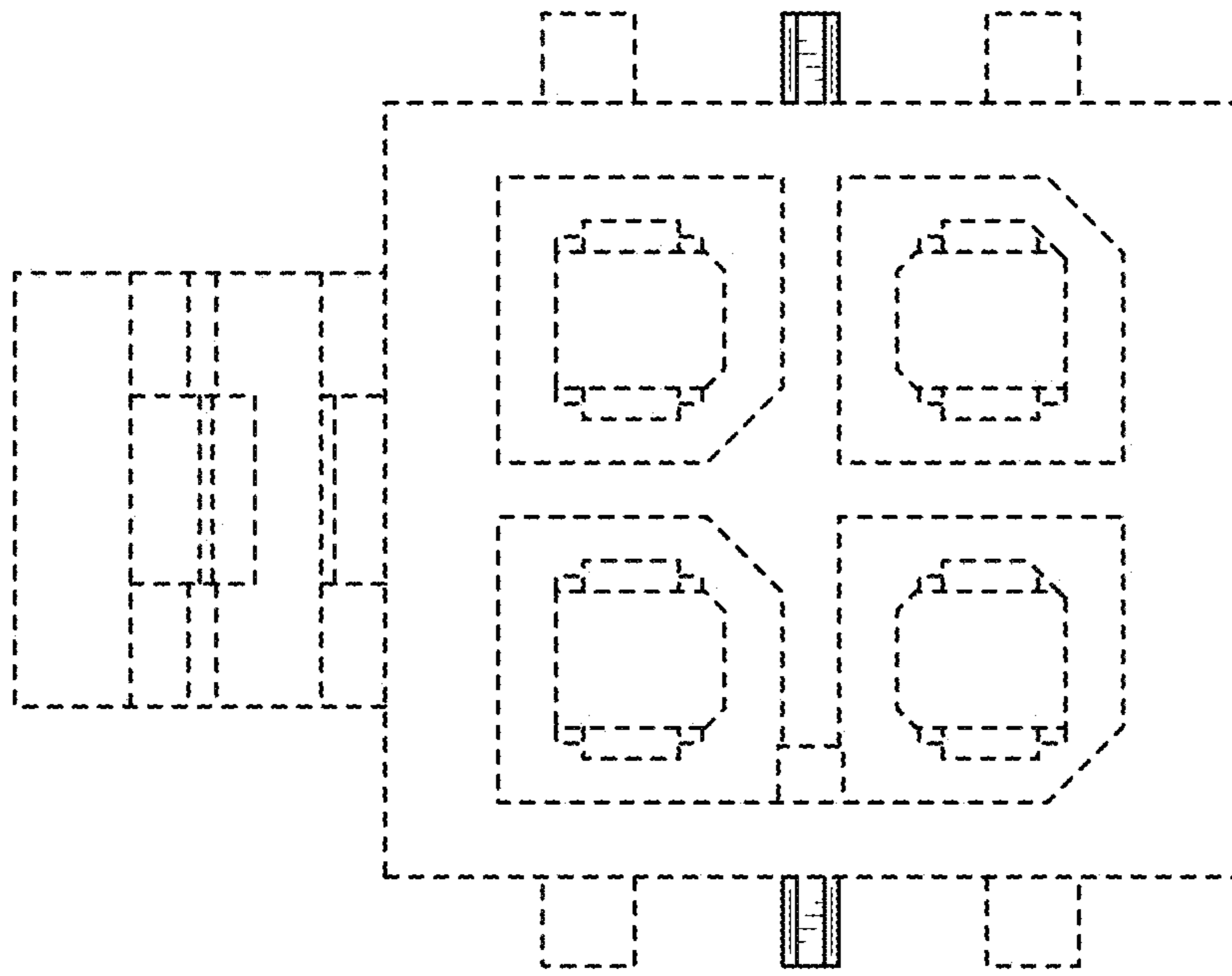


FIG. 2

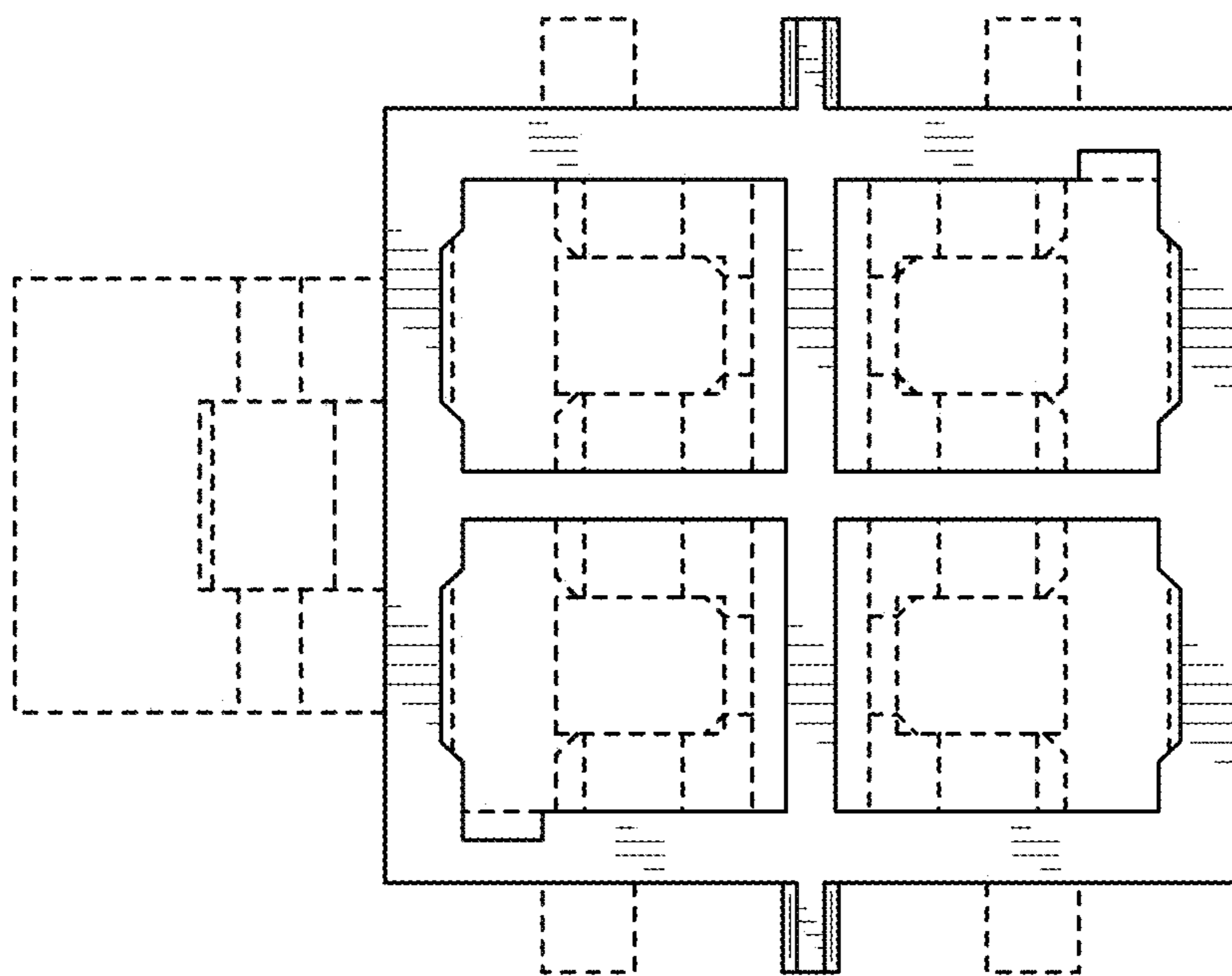


FIG. 3

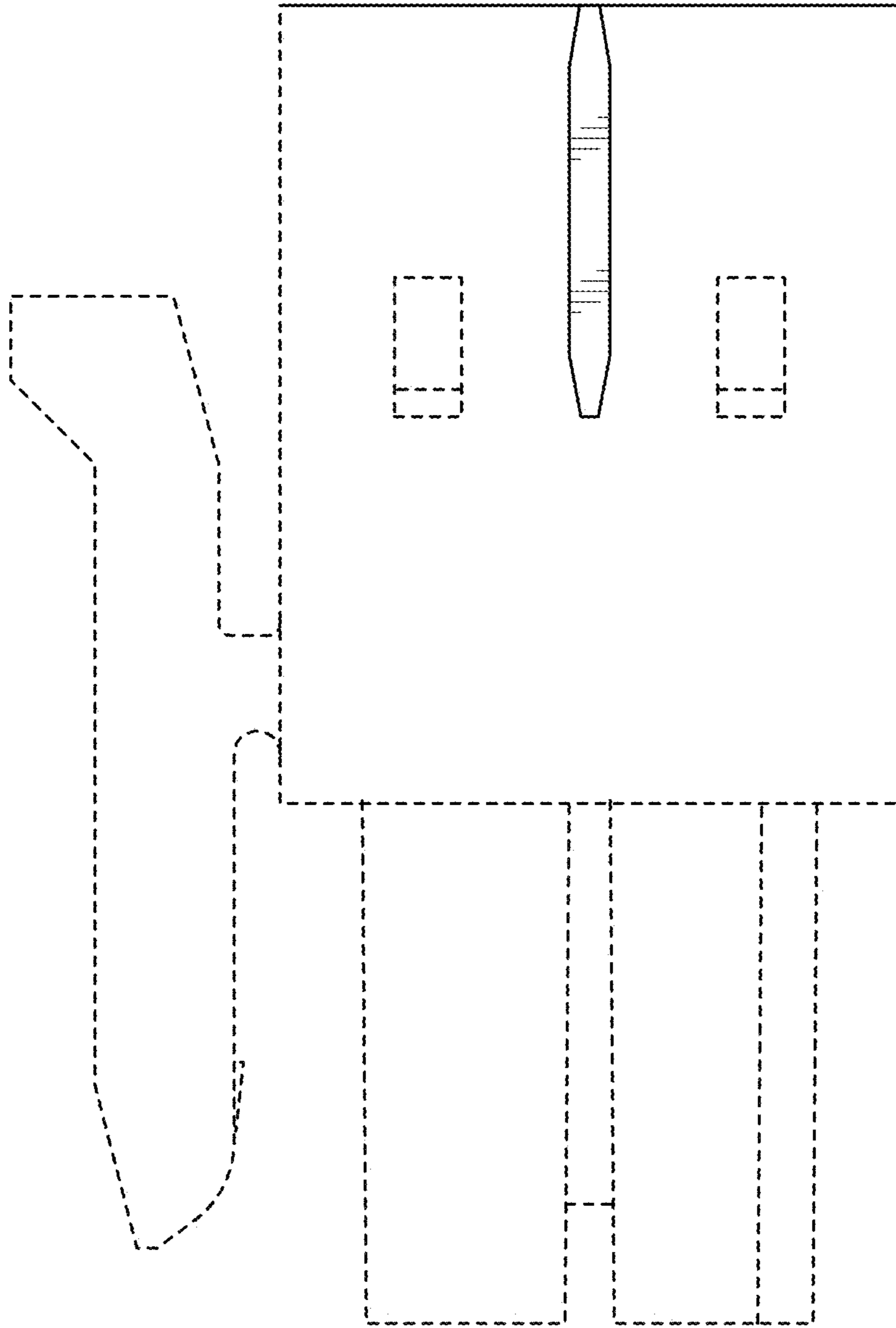


FIG. 4

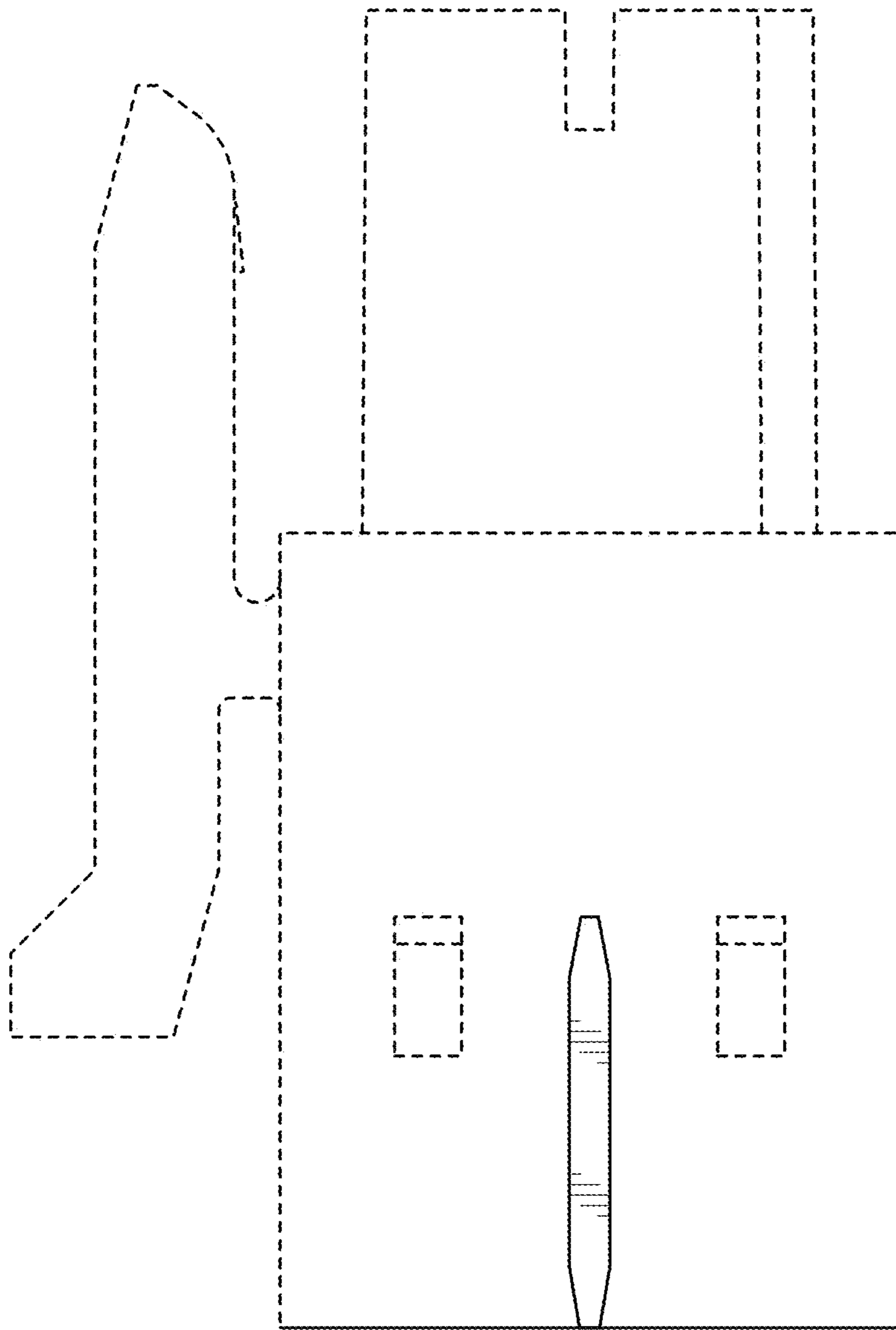


FIG. 5

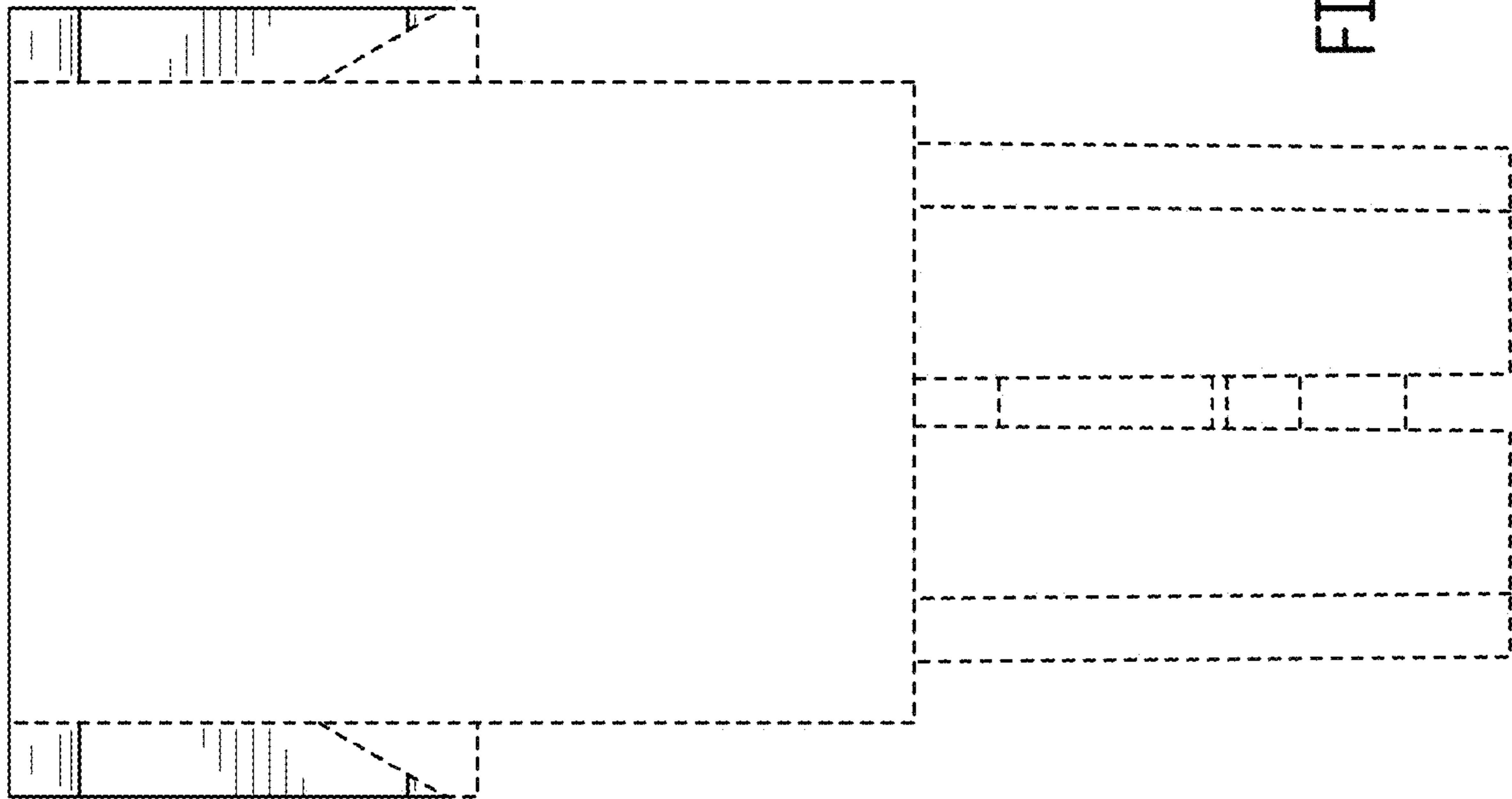


FIG. 7

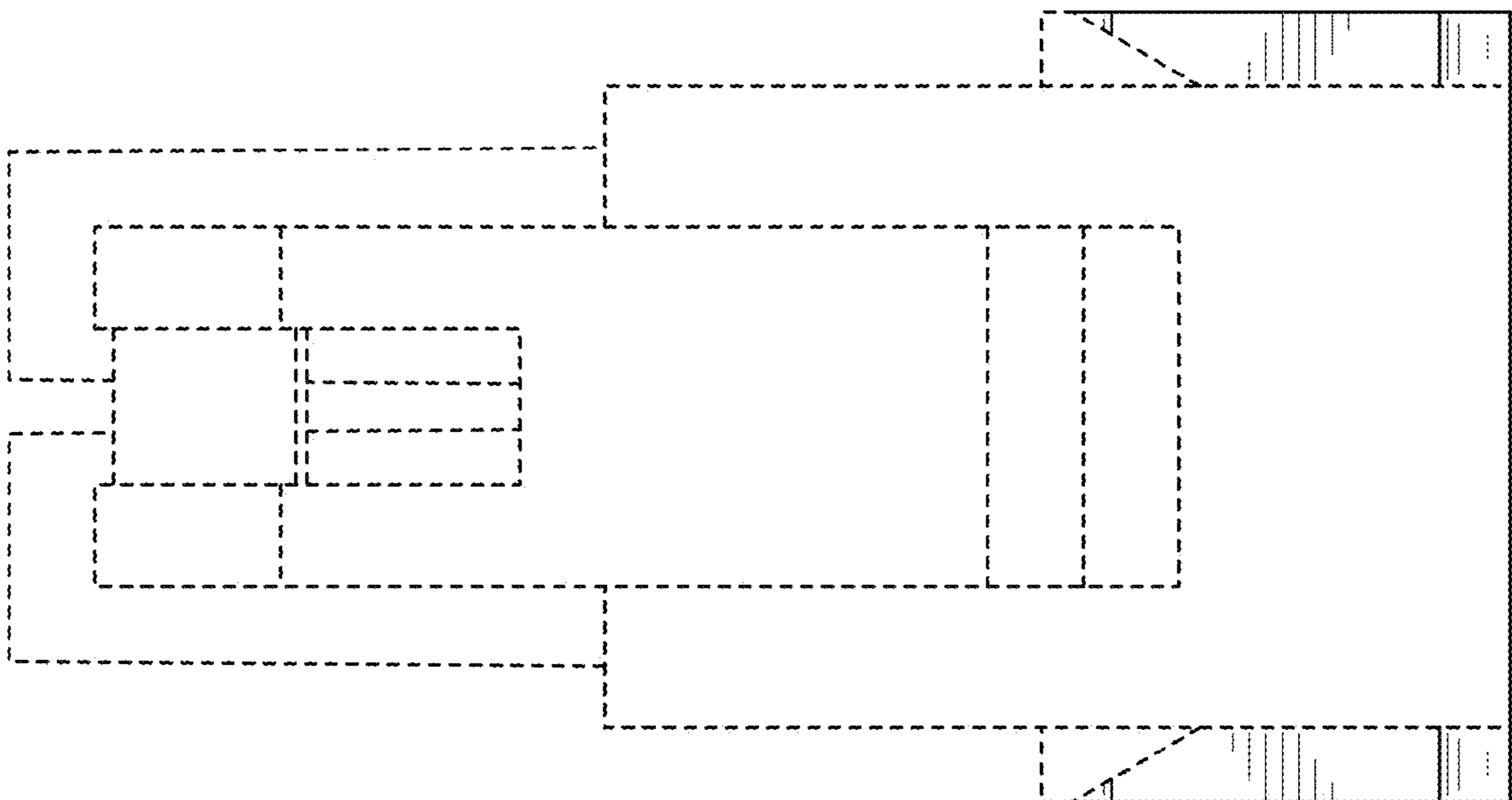


FIG. 6

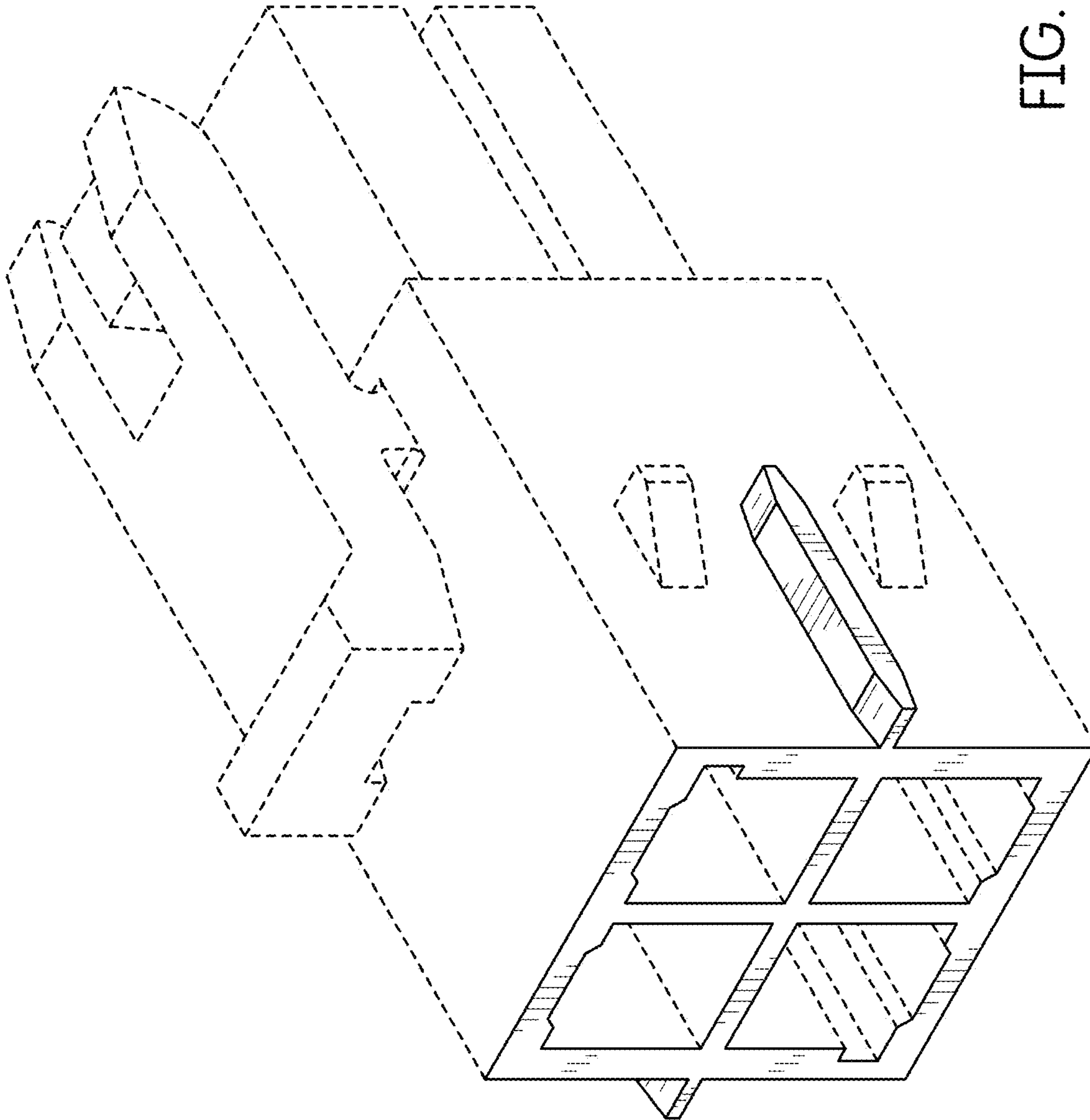


FIG. 8

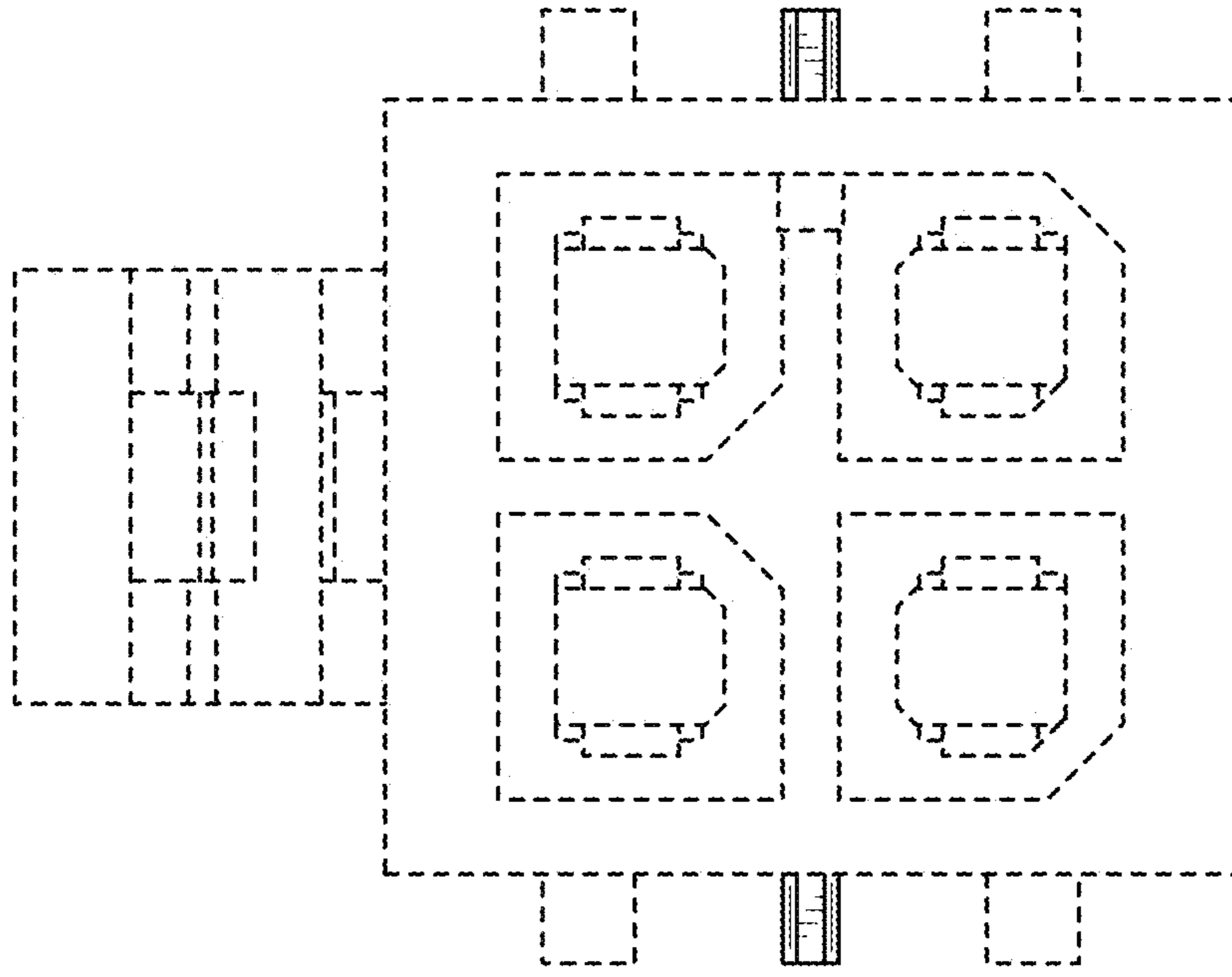


FIG. 9

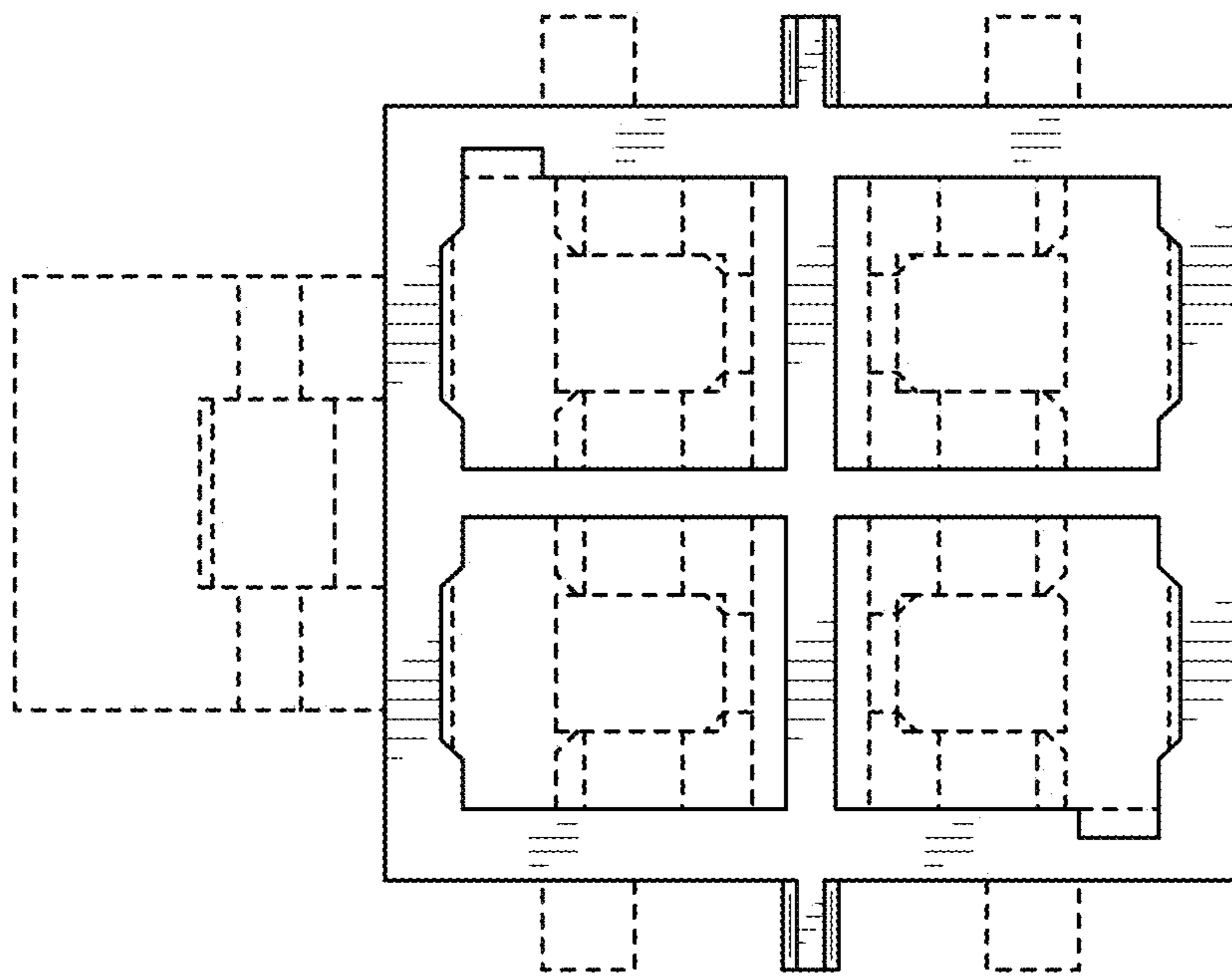


FIG. 10

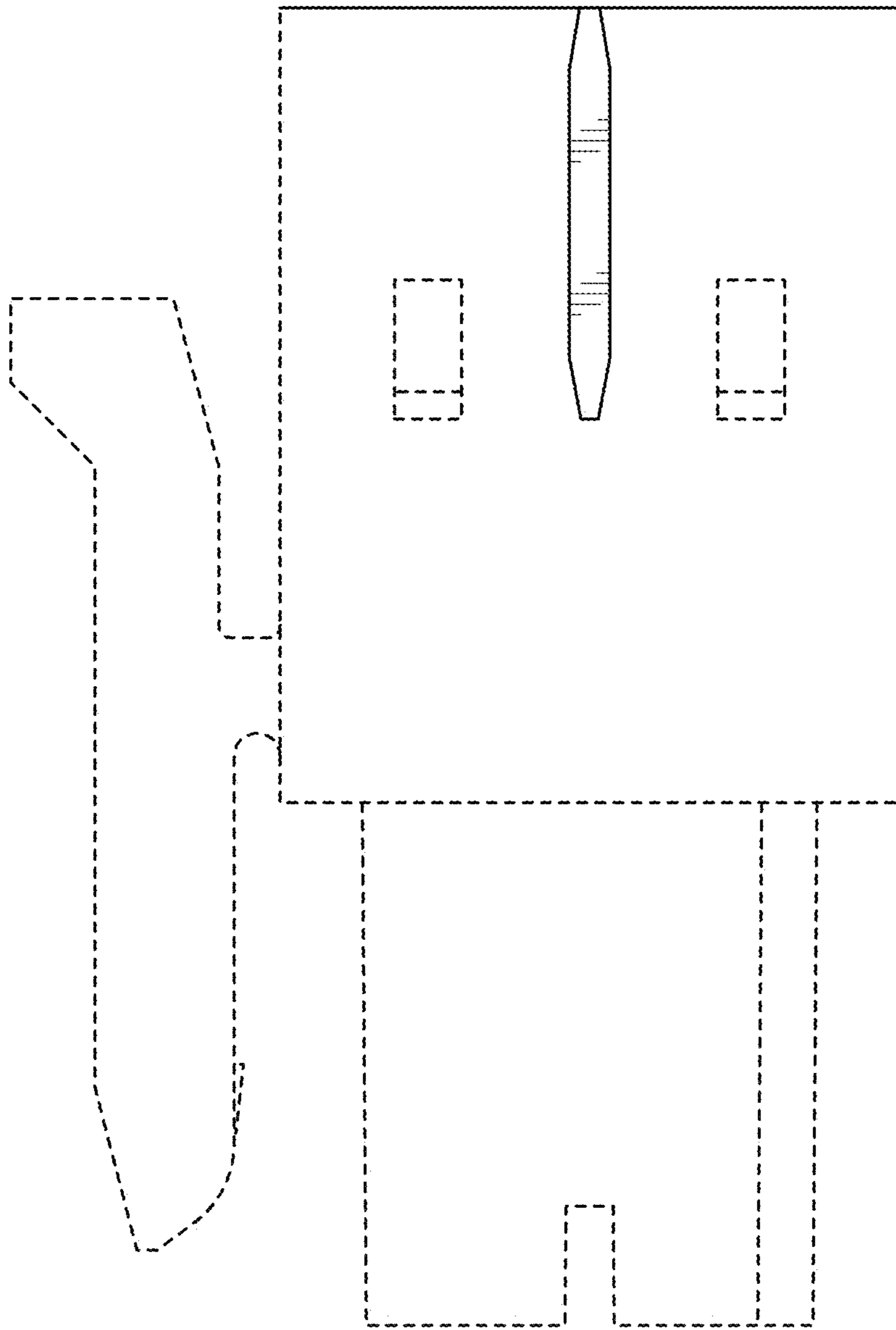


FIG. 11

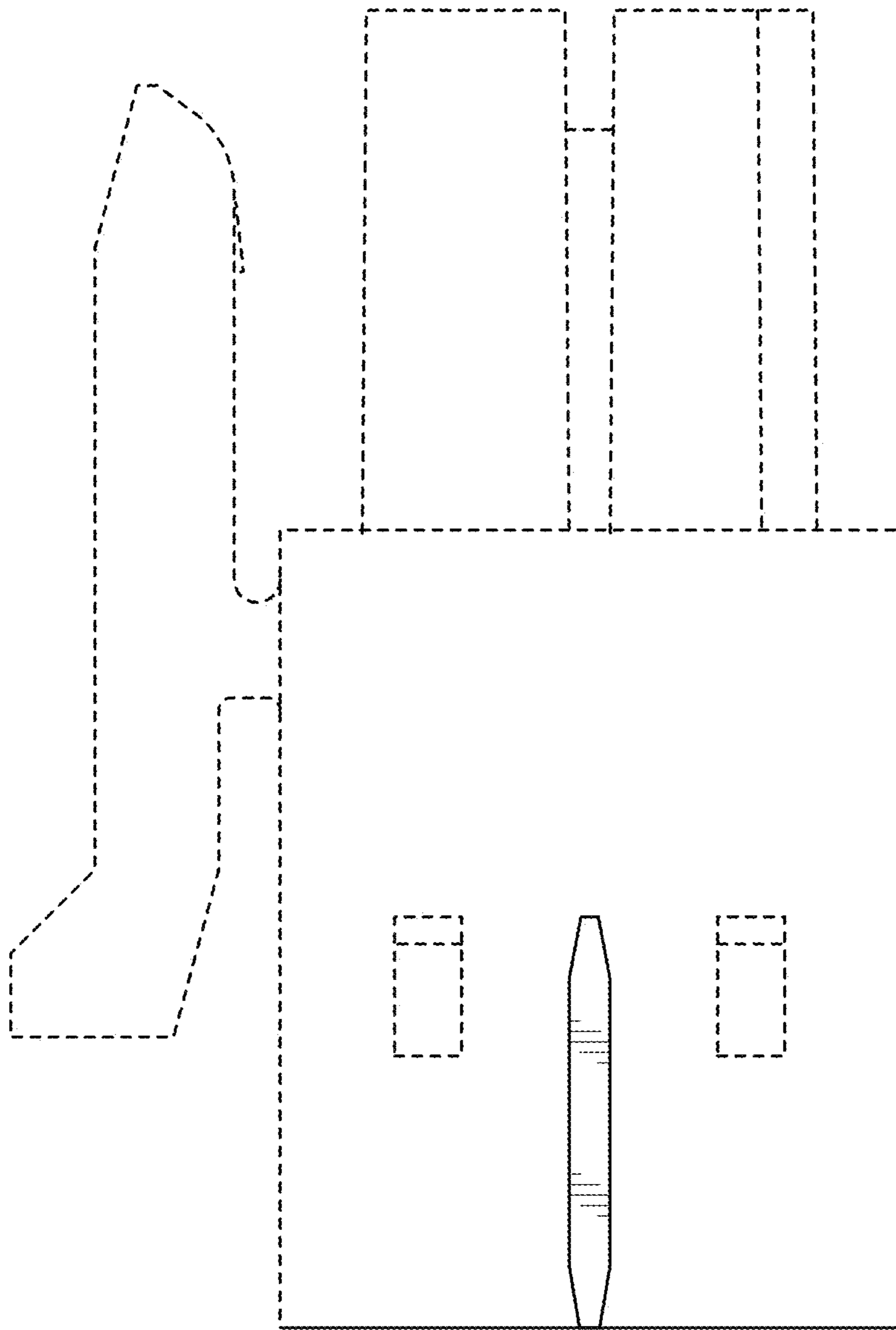


FIG. 12

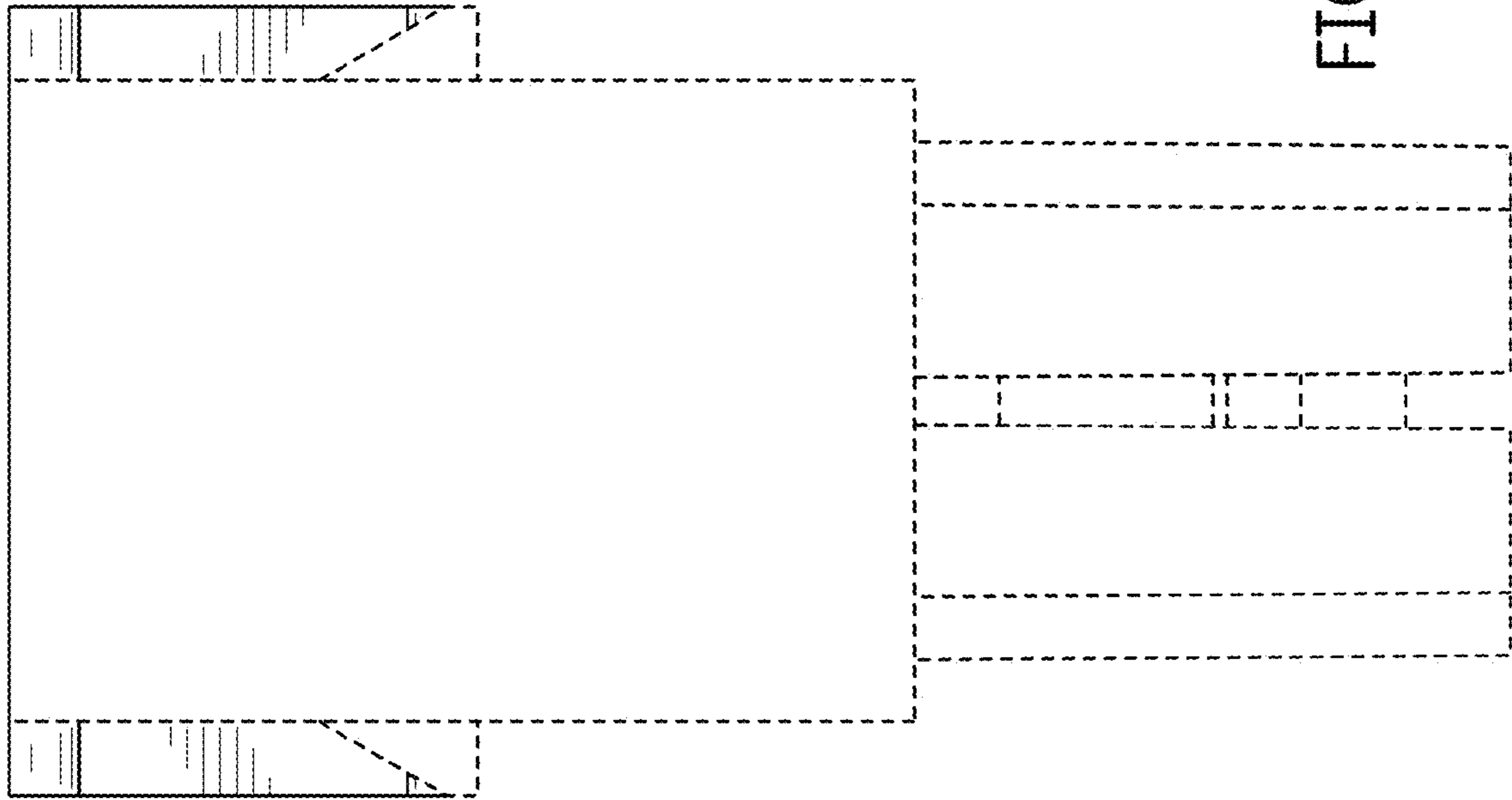


FIG. 14

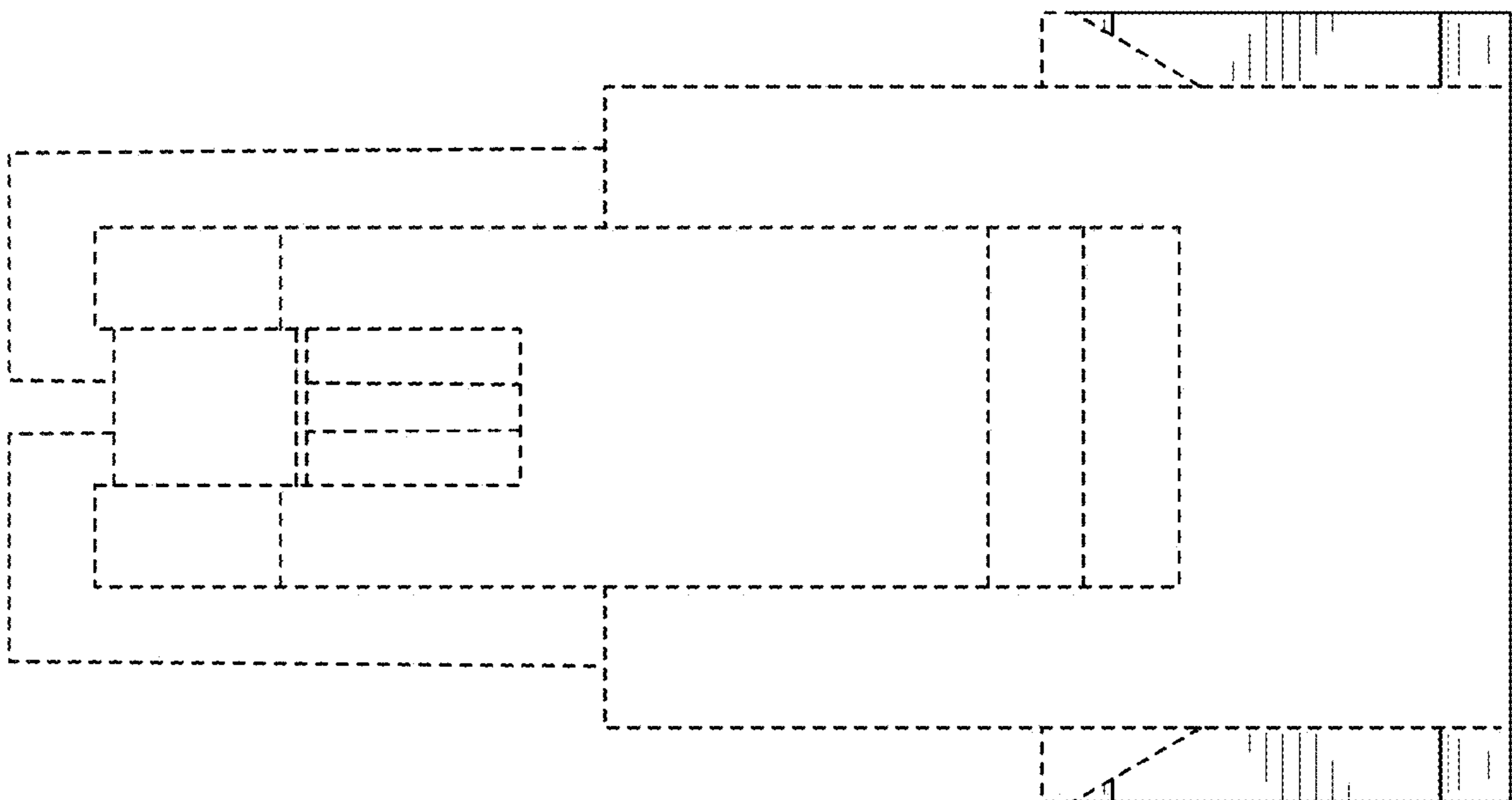


FIG. 13

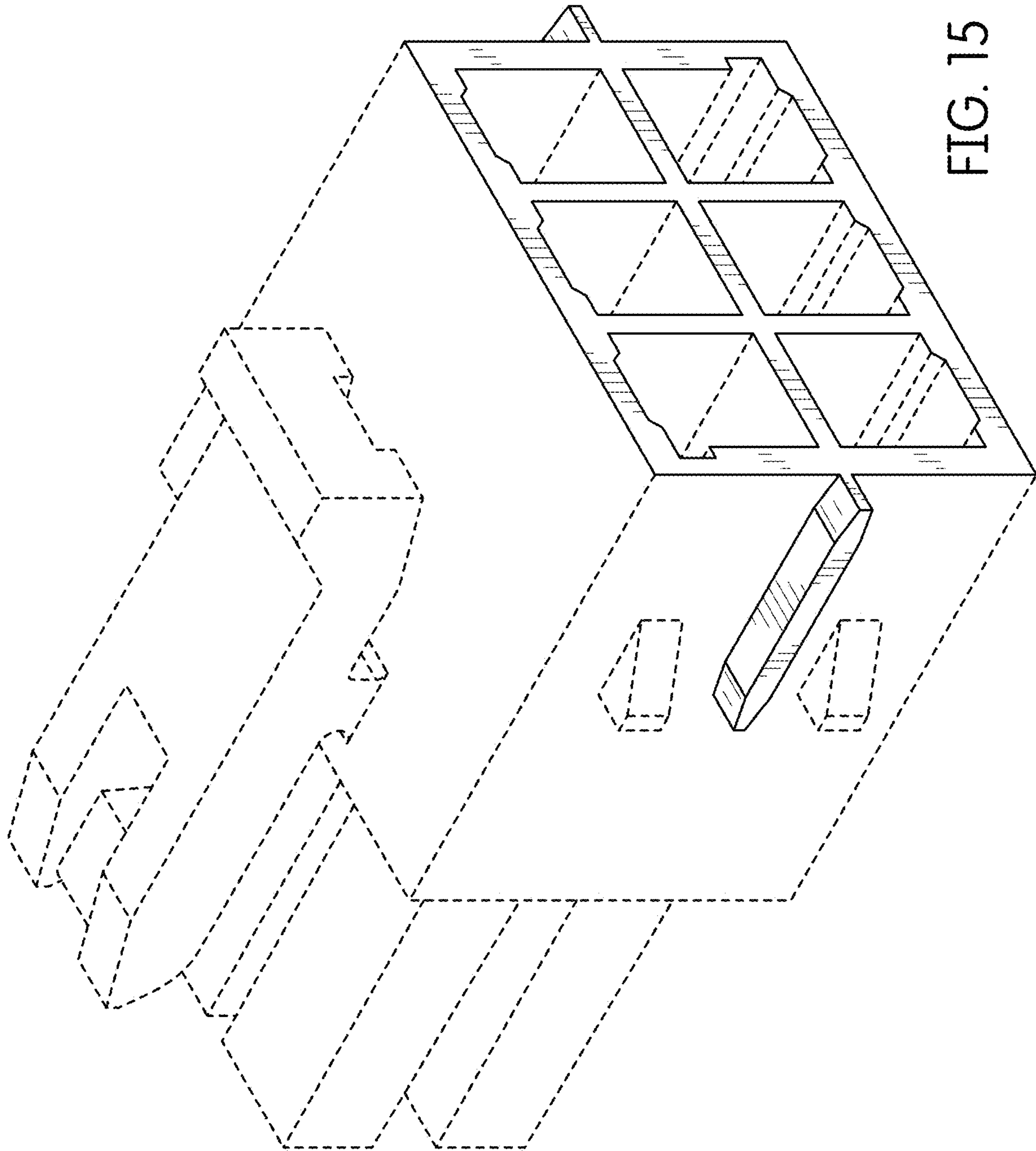


FIG. 15

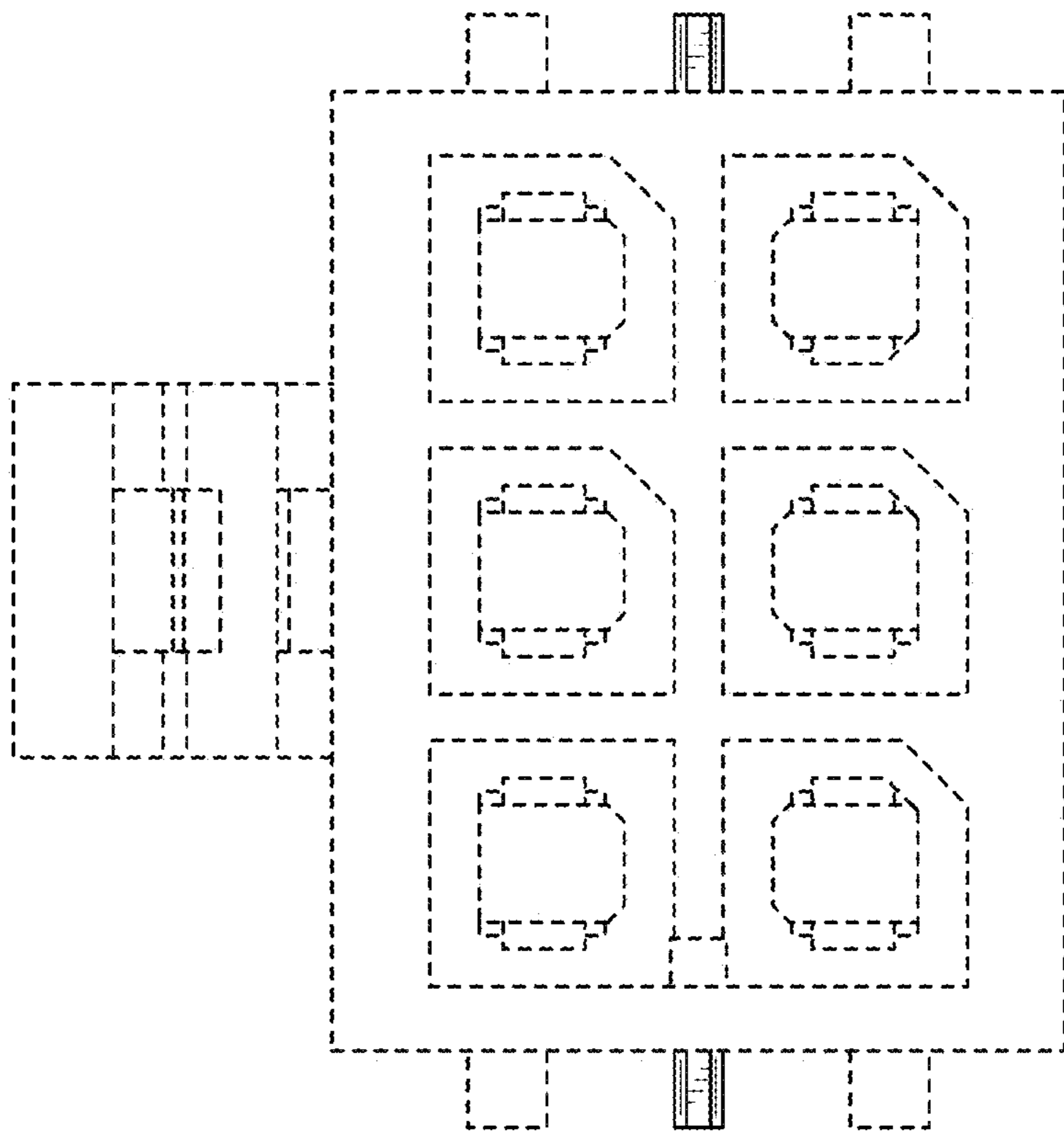


FIG. 17

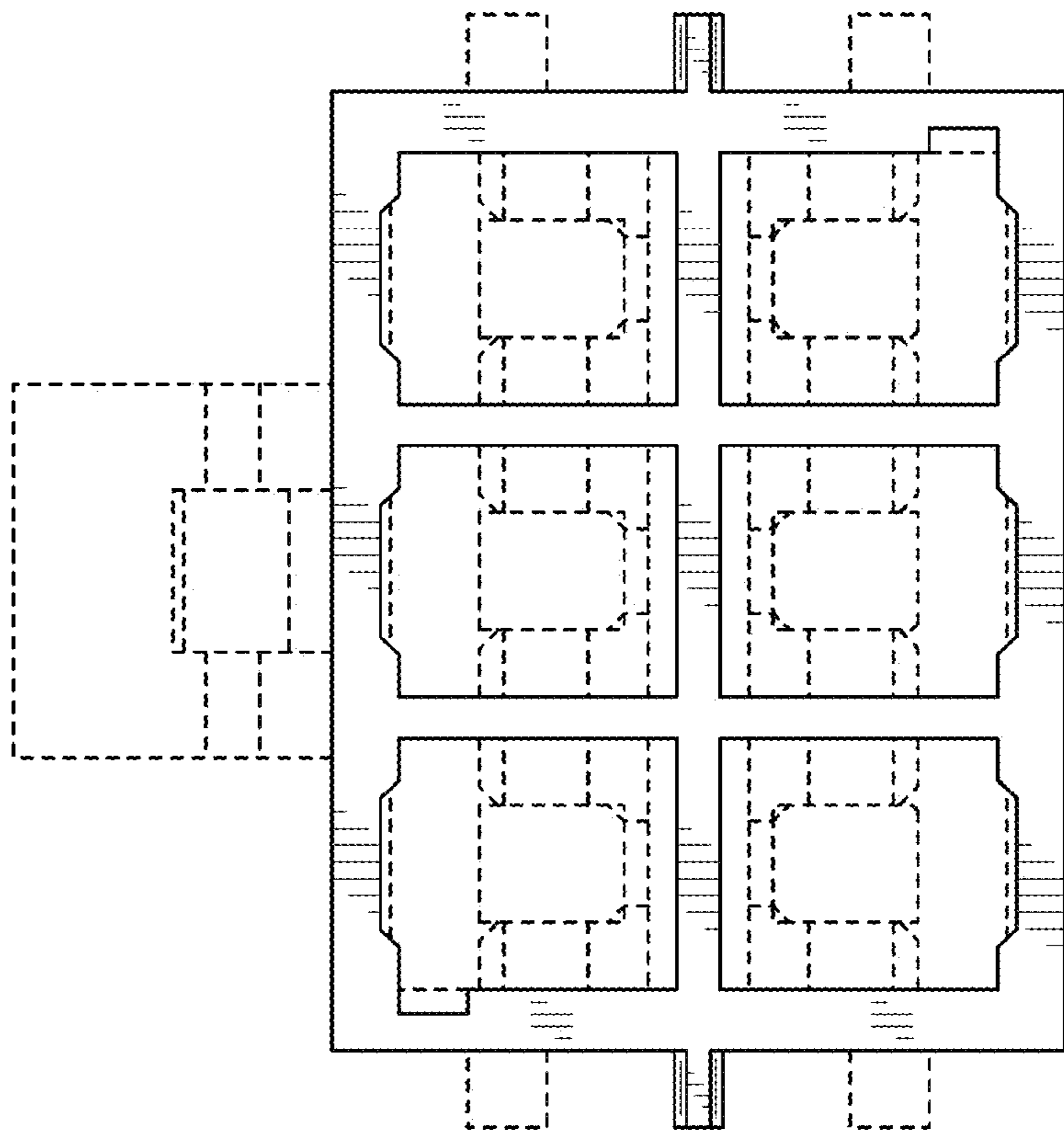


FIG. 16

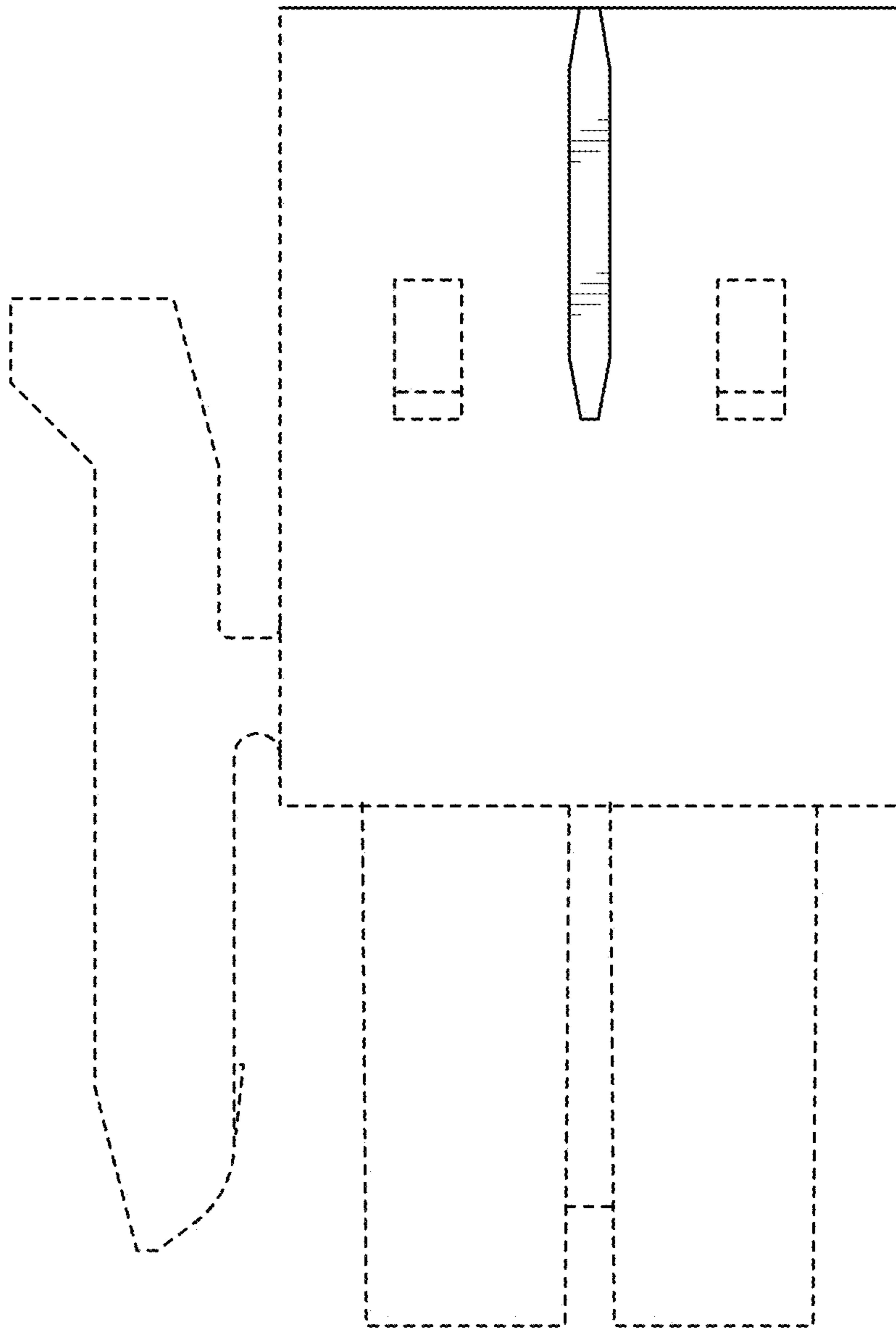


FIG. 18

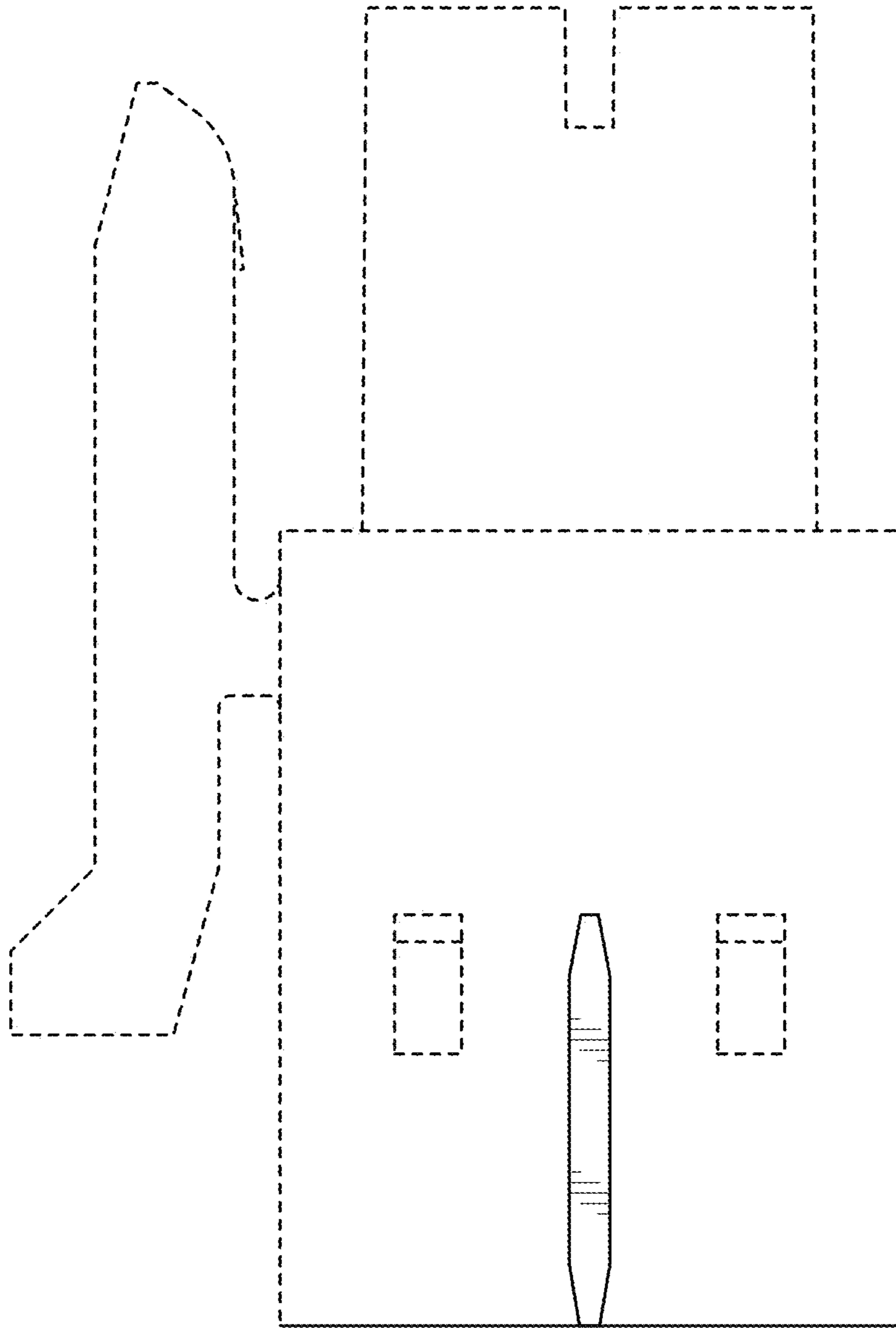


FIG. 19

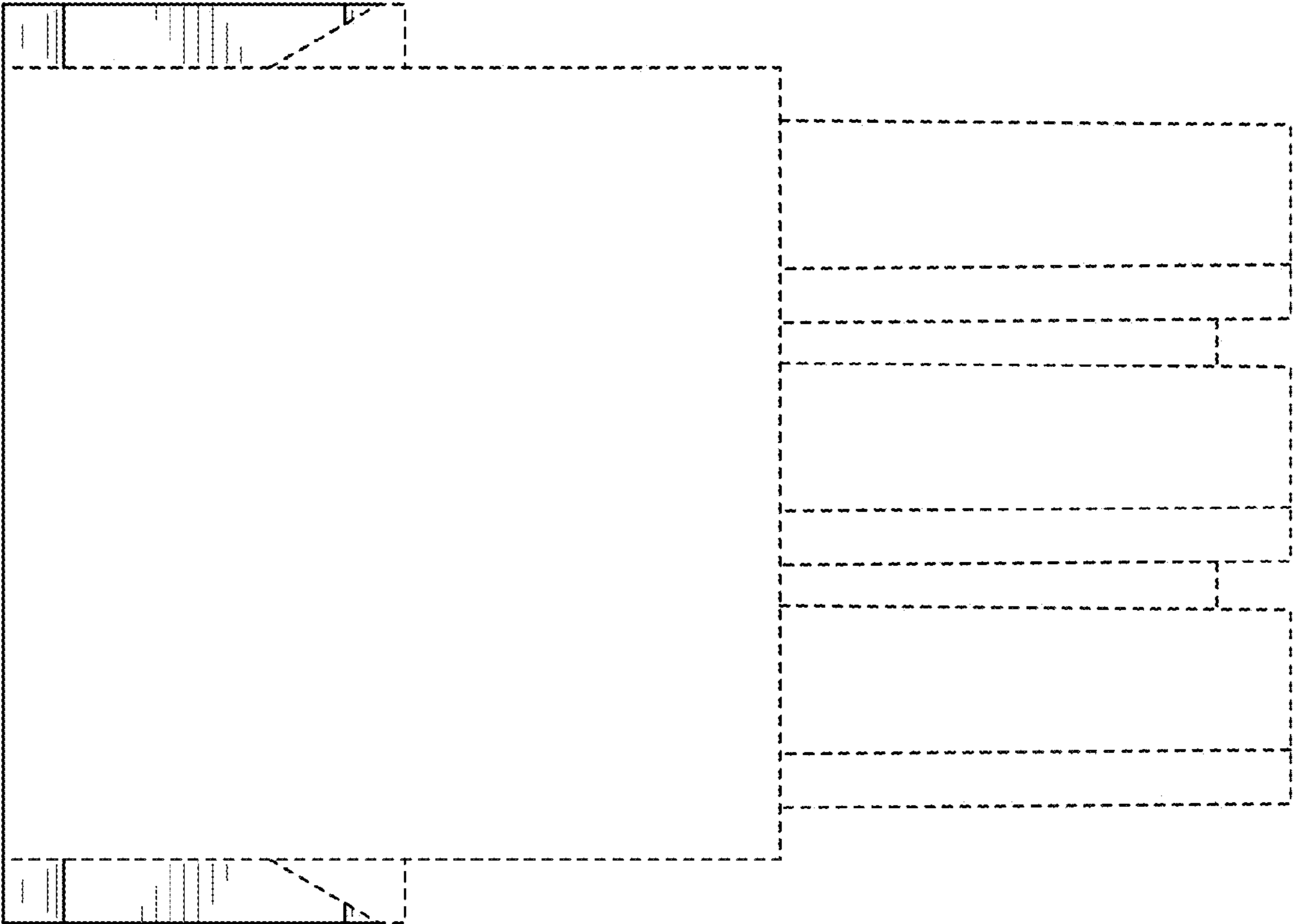


FIG. 21

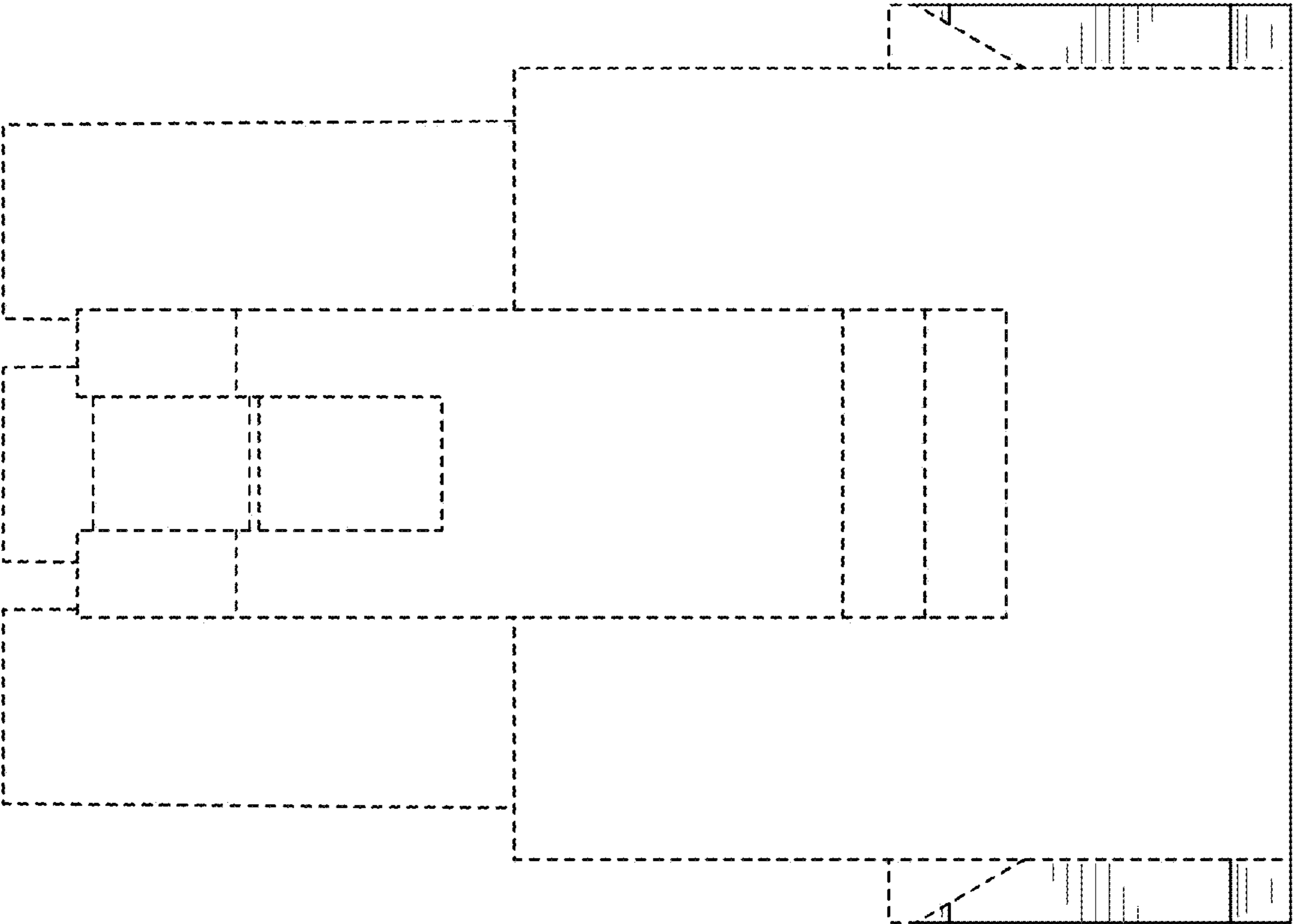


FIG. 20

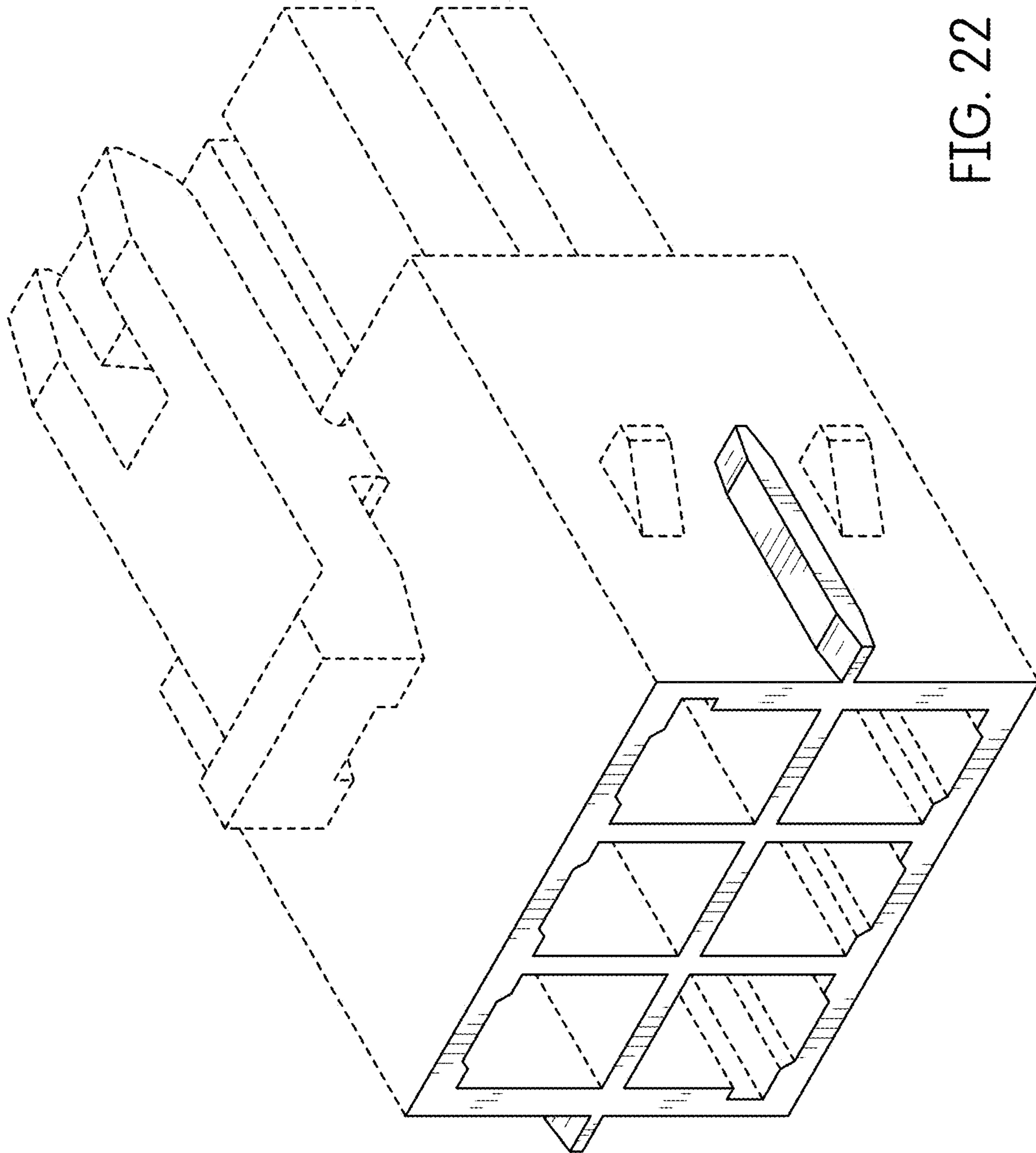


FIG. 22

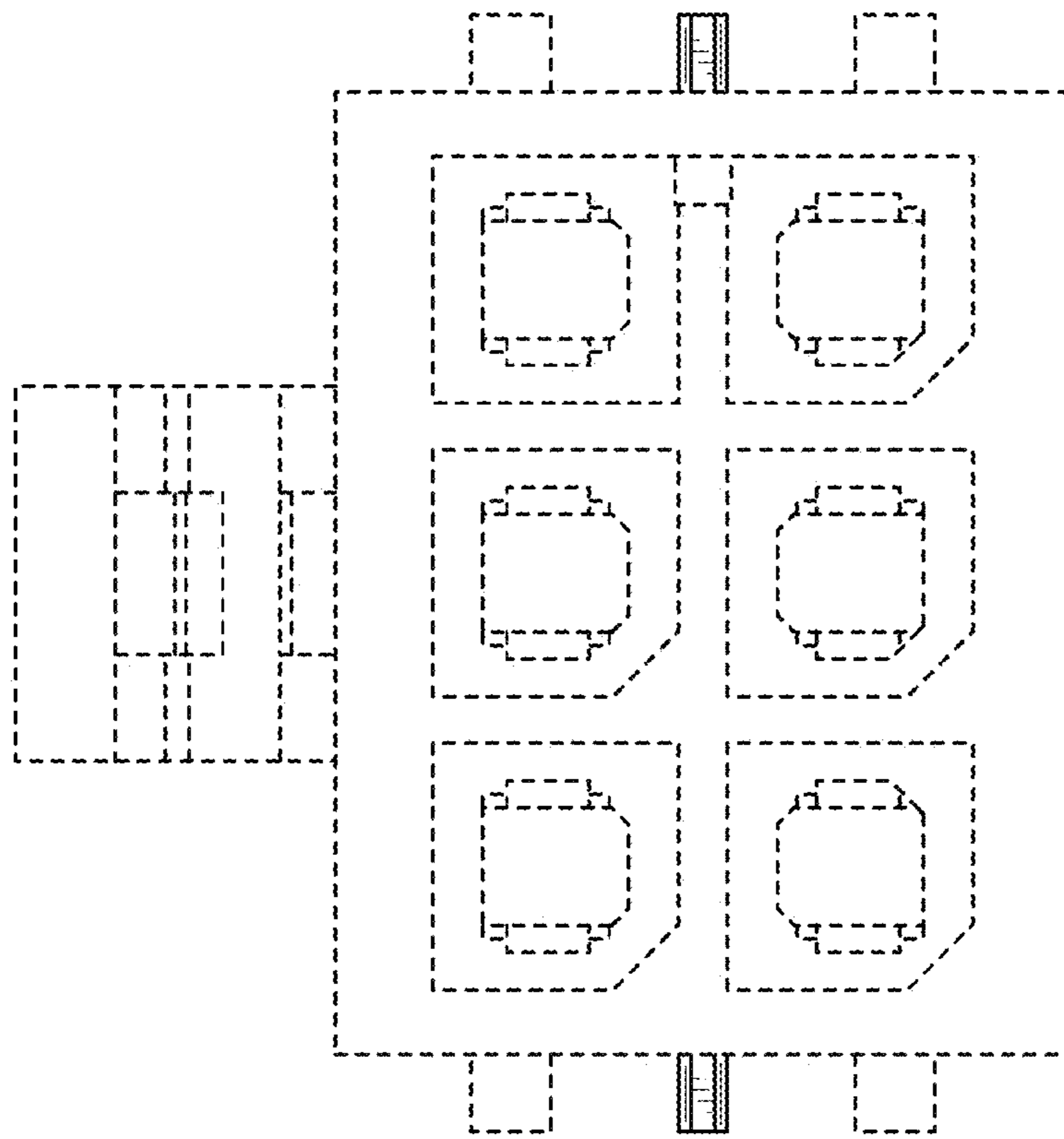


FIG. 24

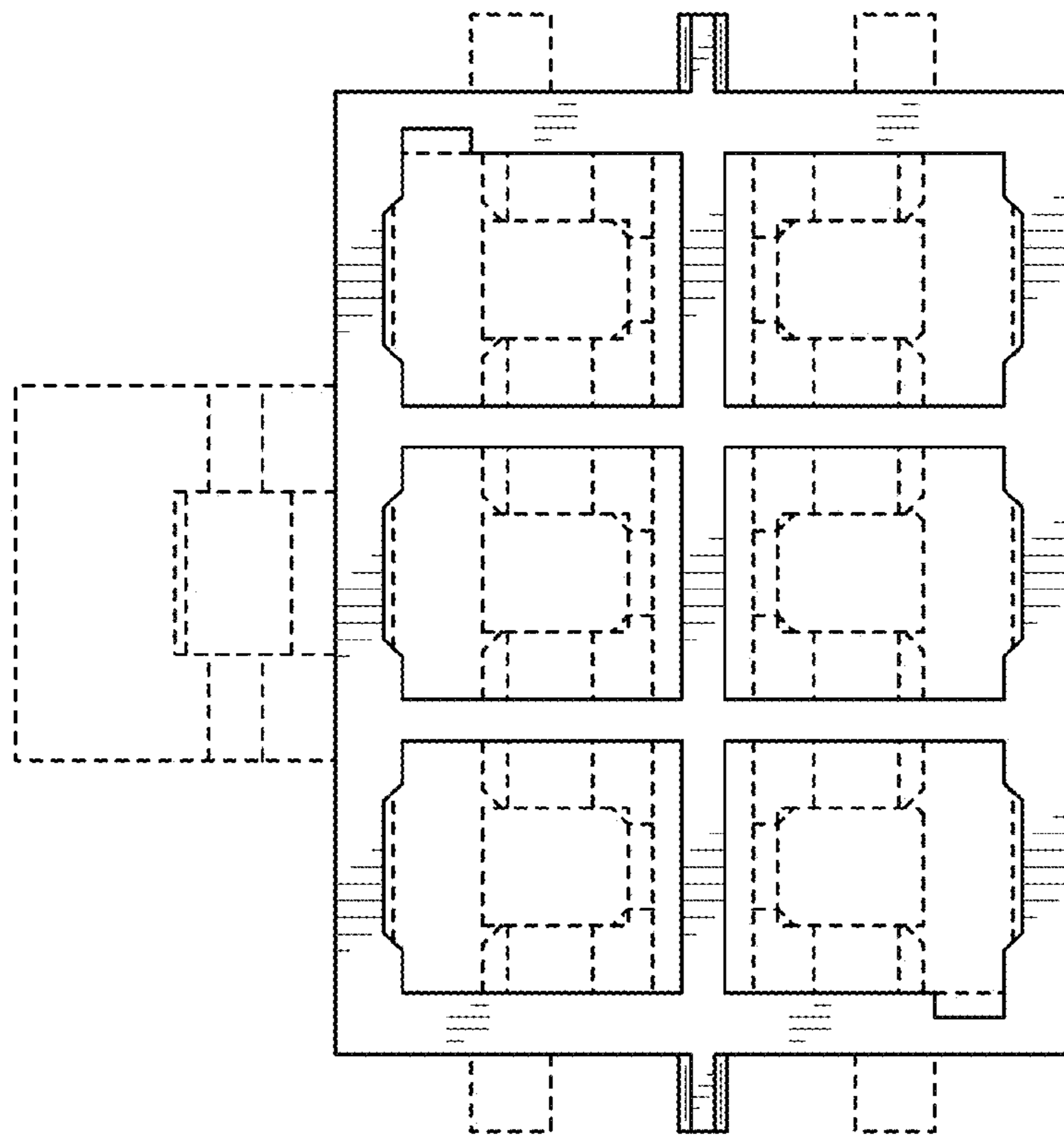


FIG. 23

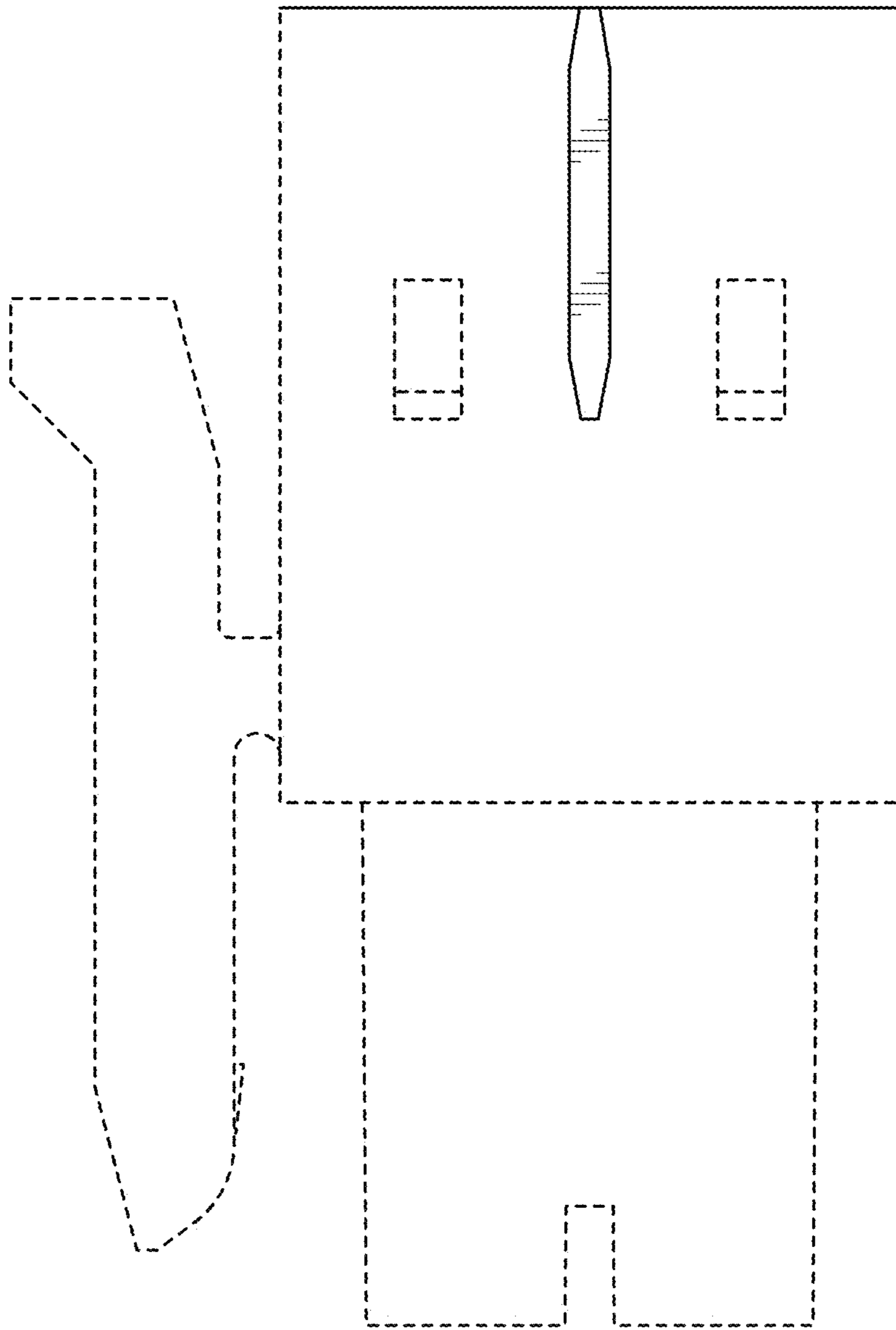


FIG. 25

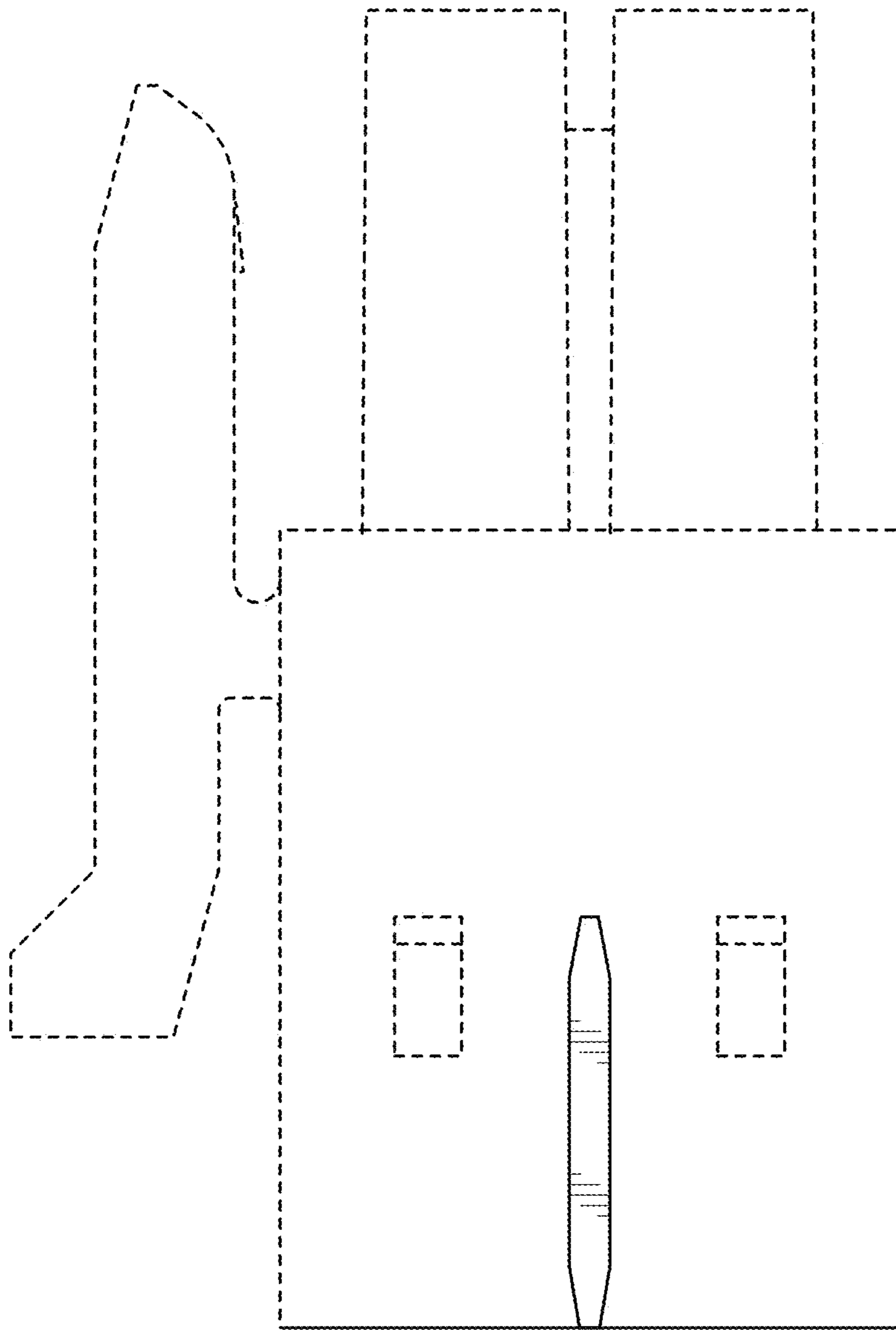


FIG. 26

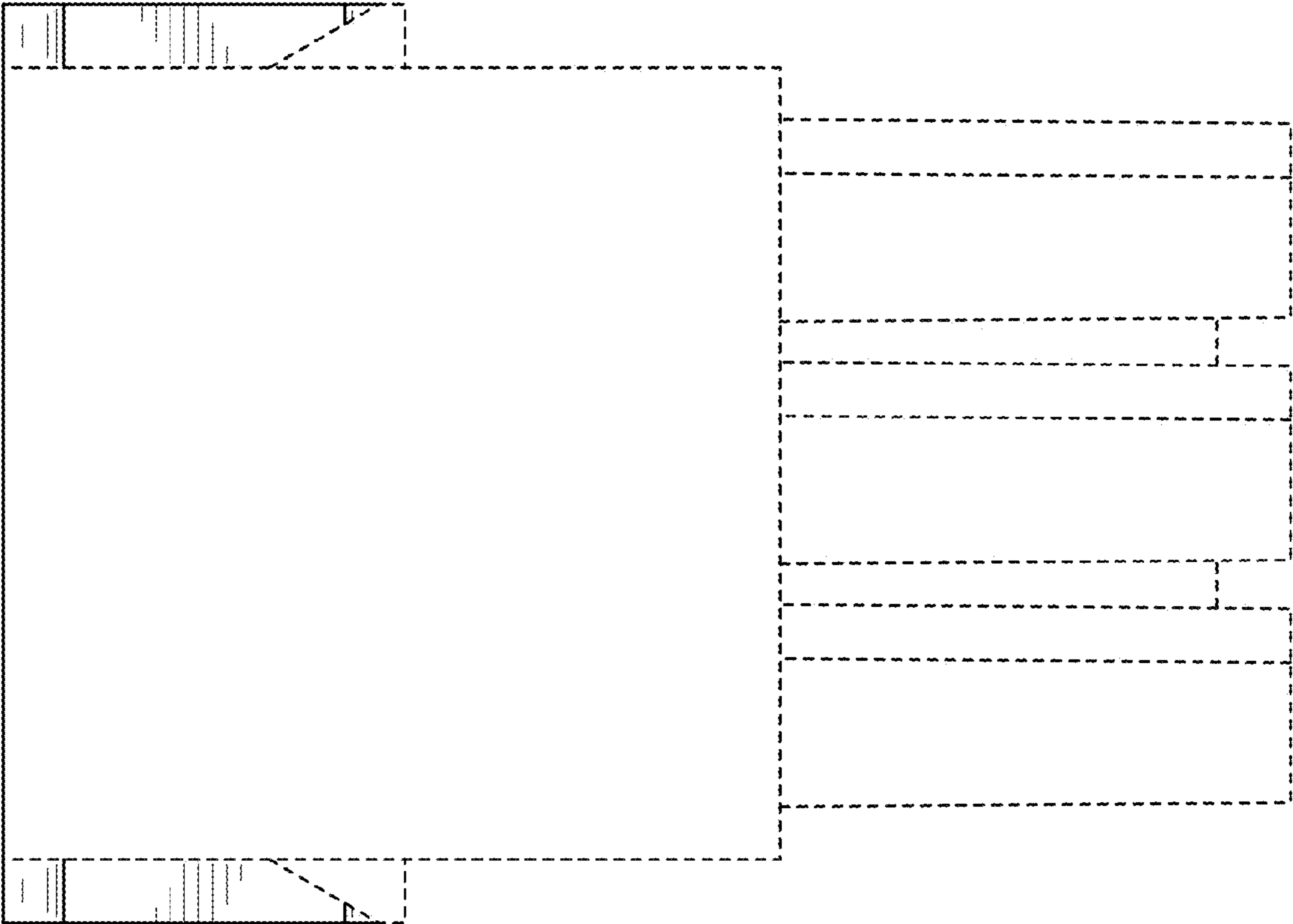


FIG. 28

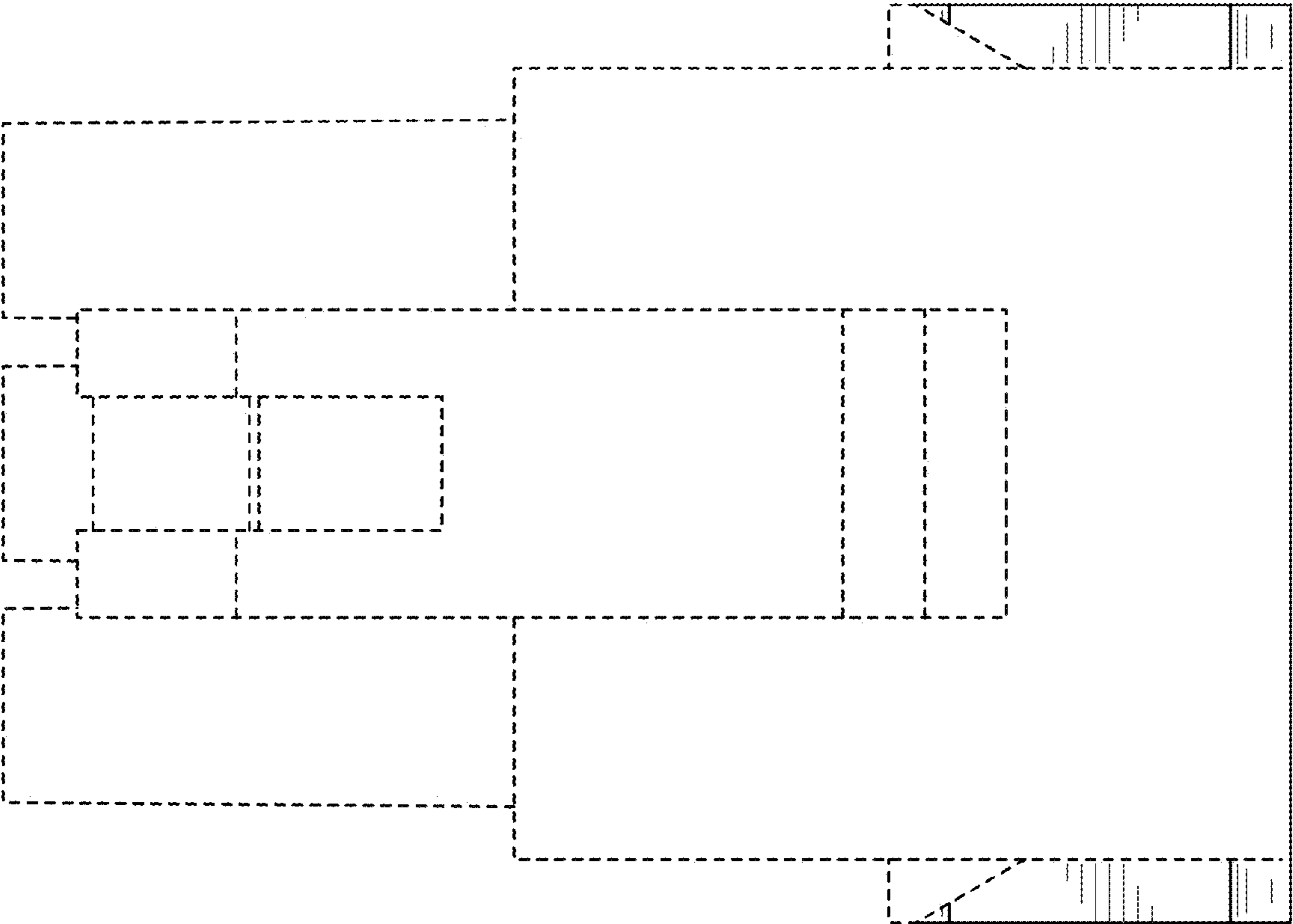


FIG. 27

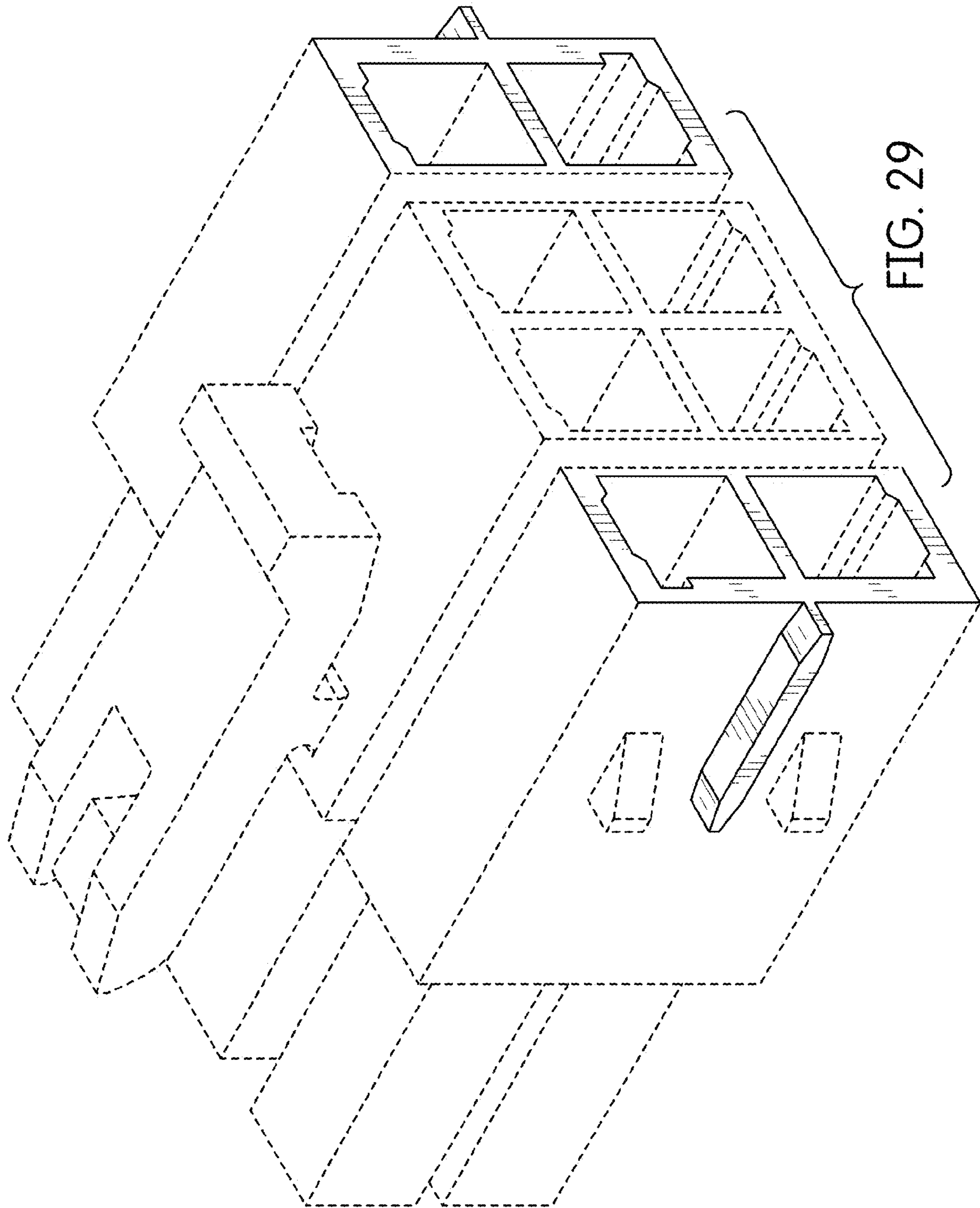


FIG. 29

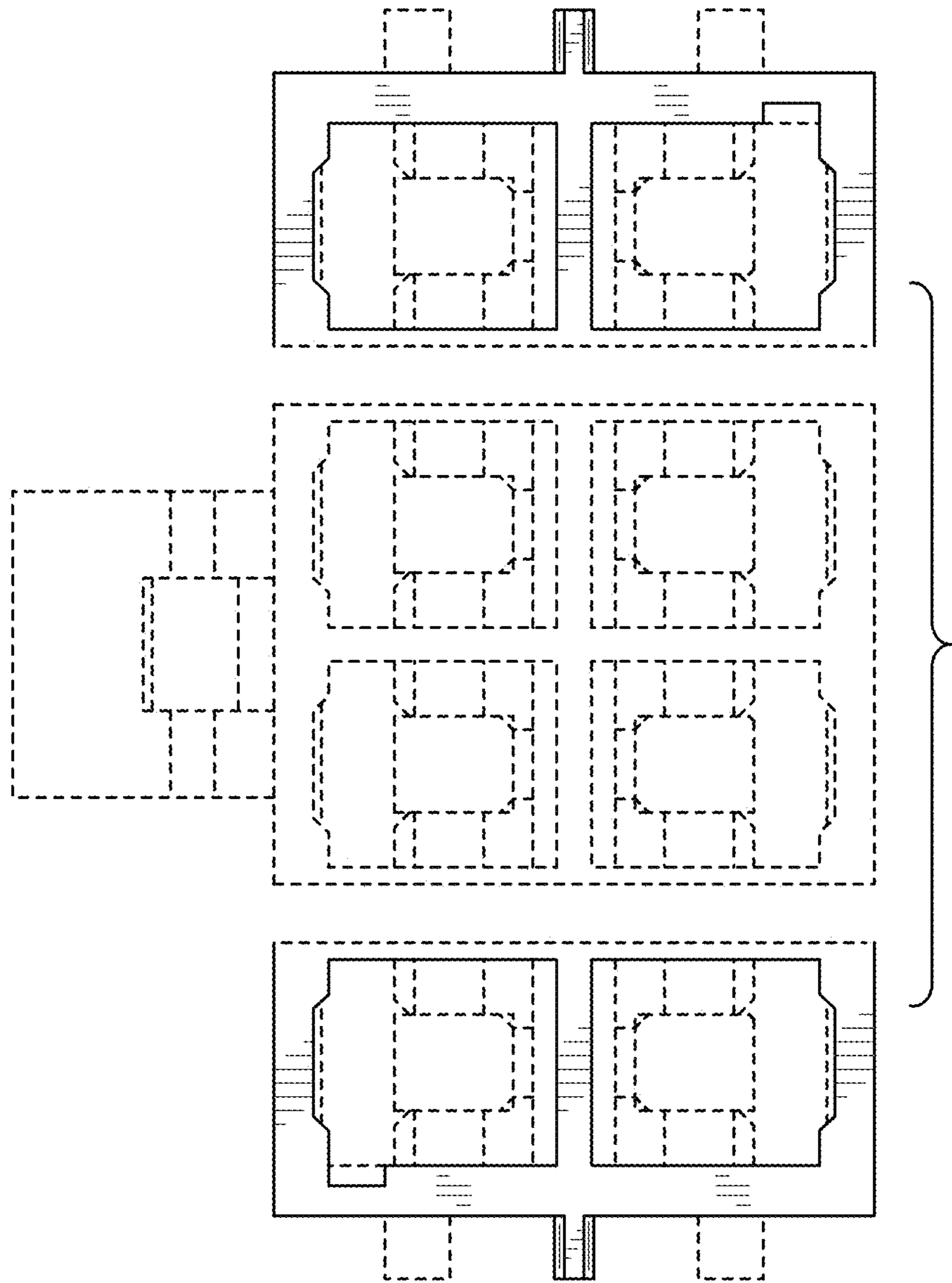
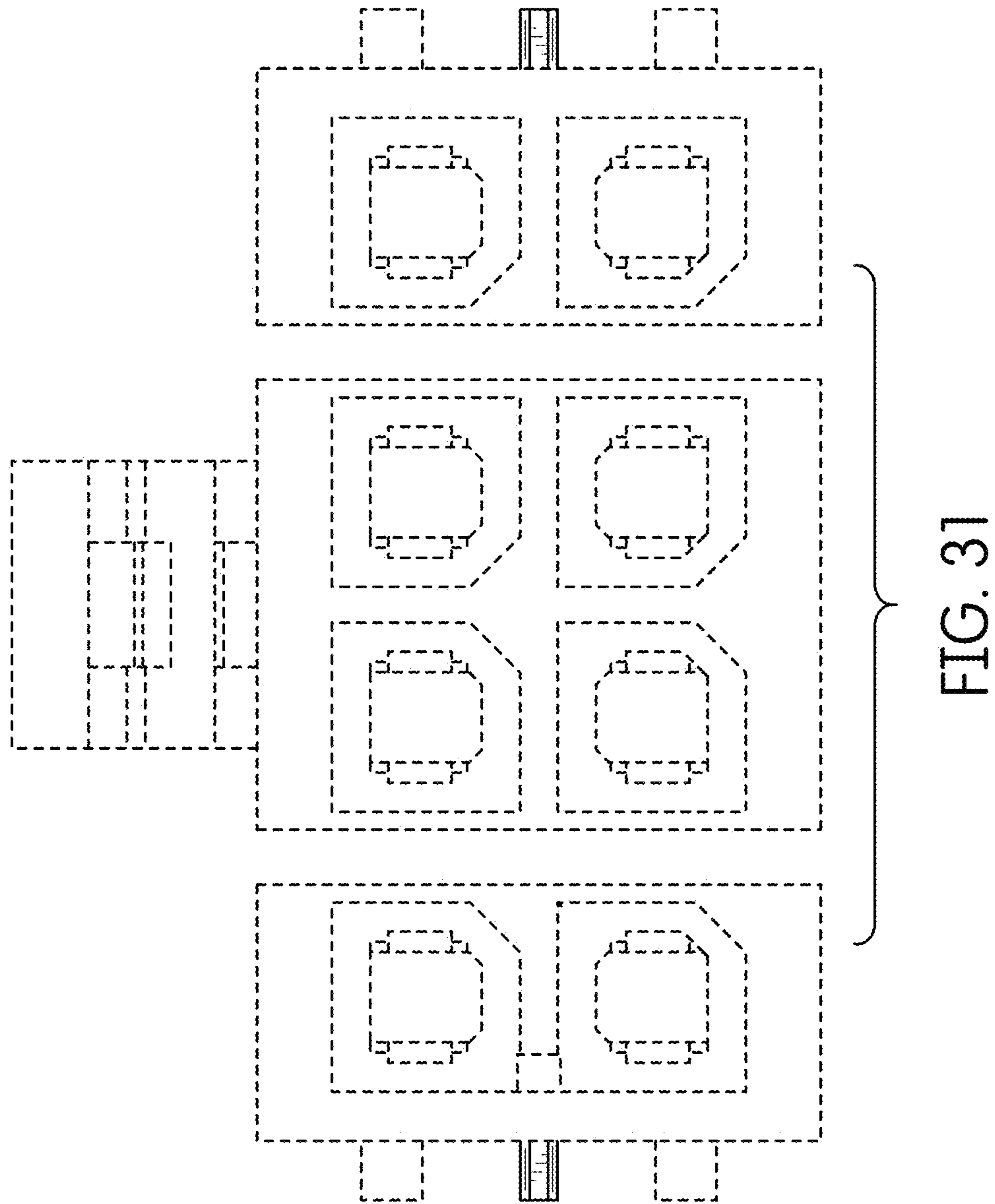


FIG. 30



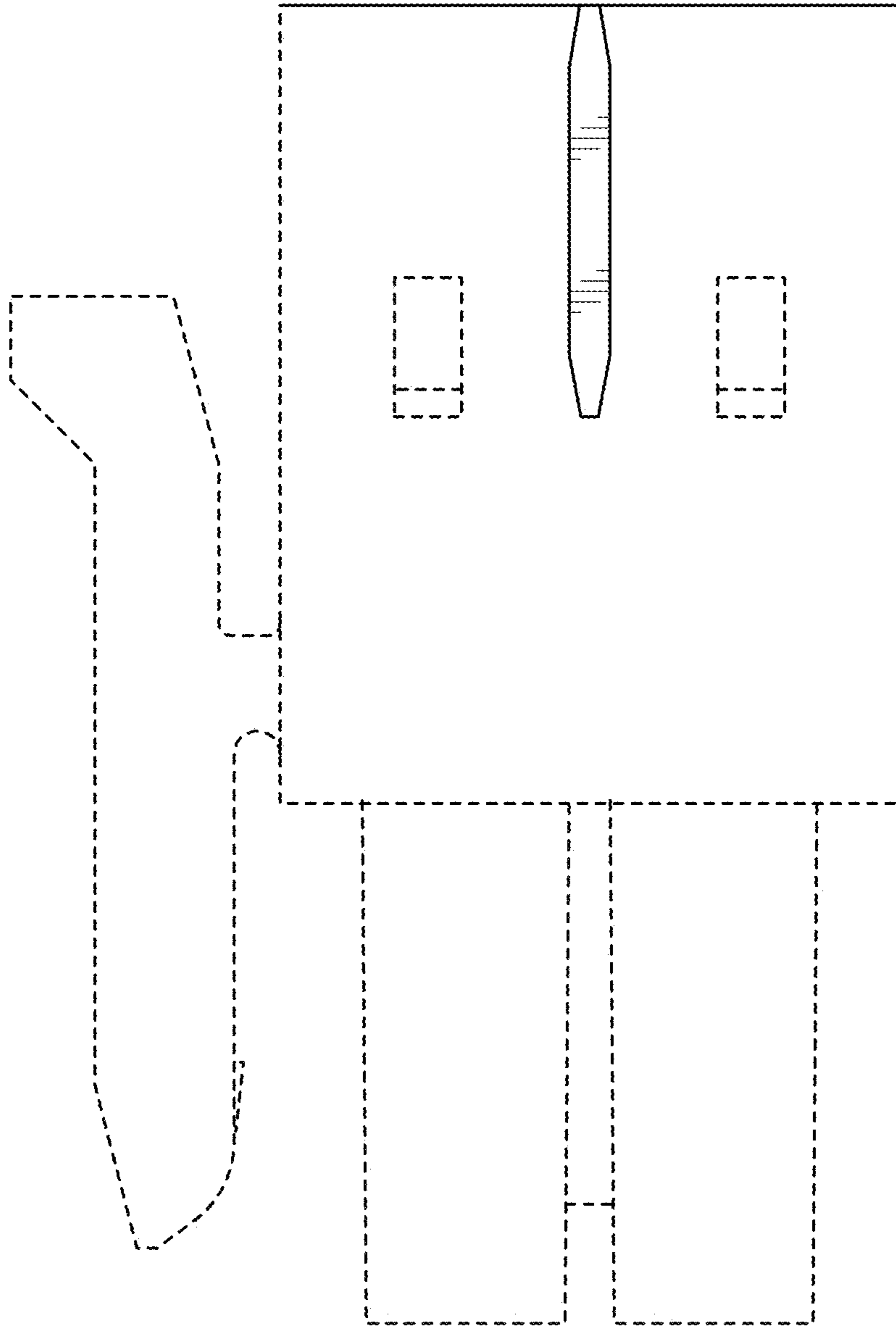


FIG. 32

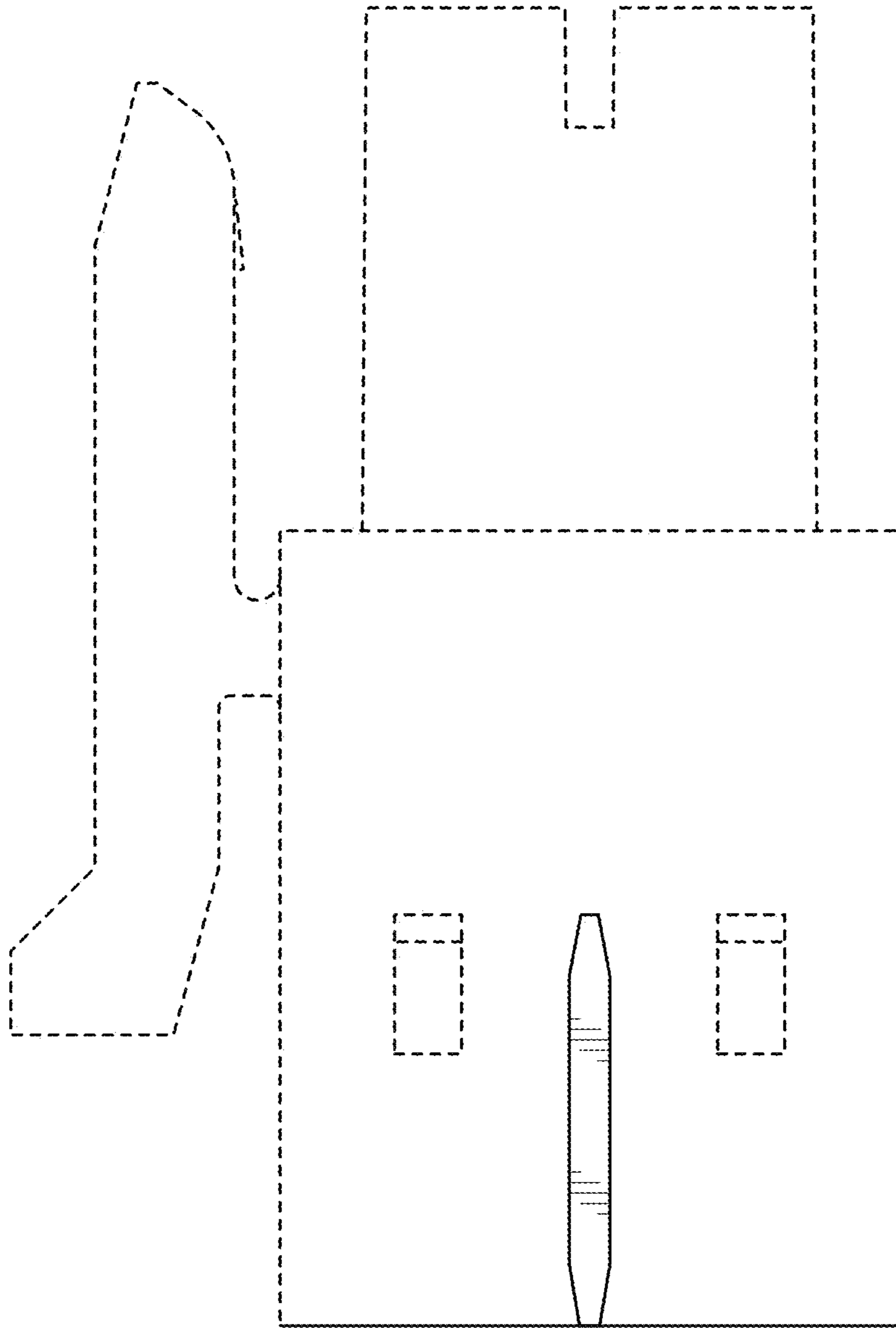
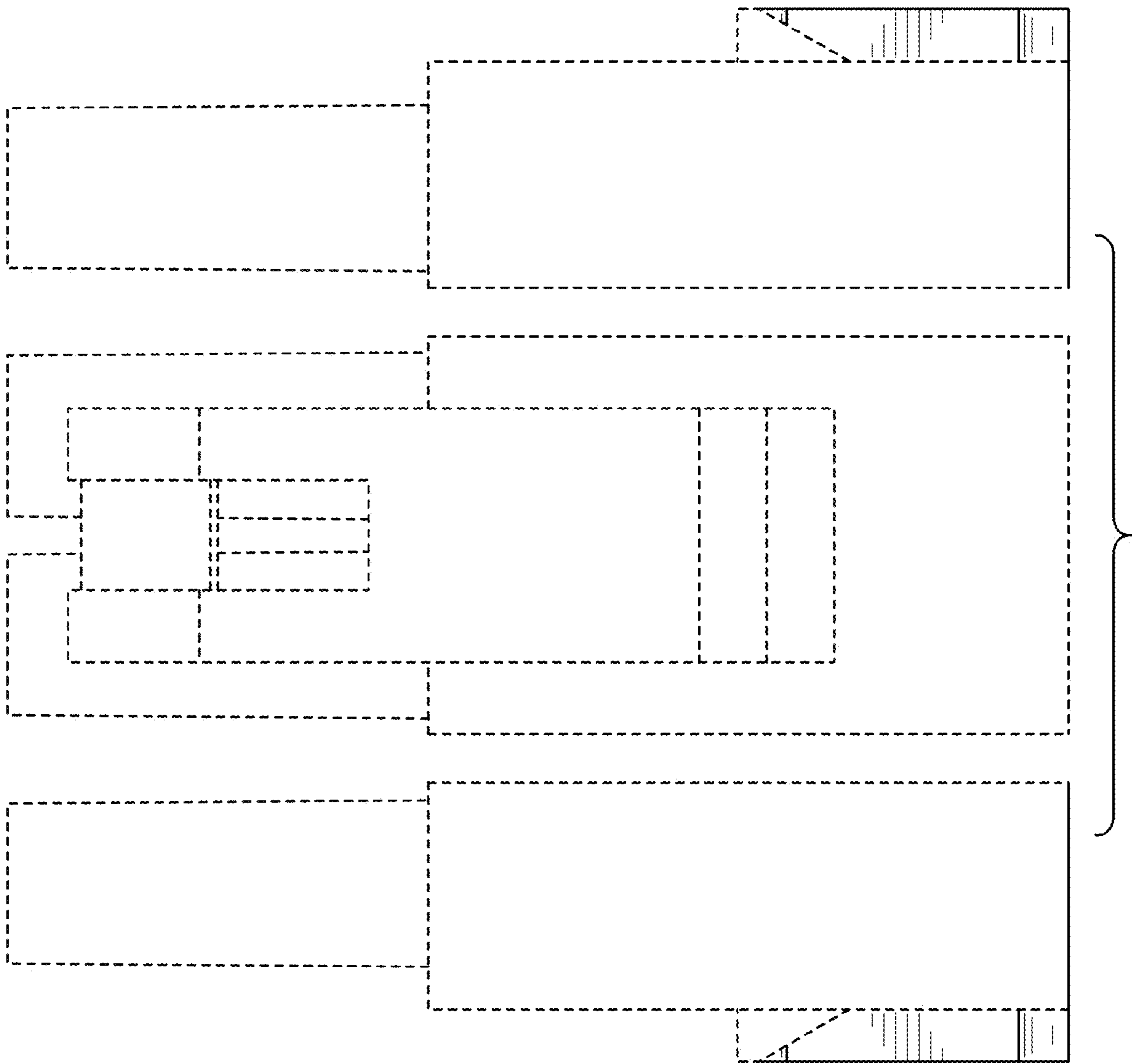


FIG. 33

FIG. 34



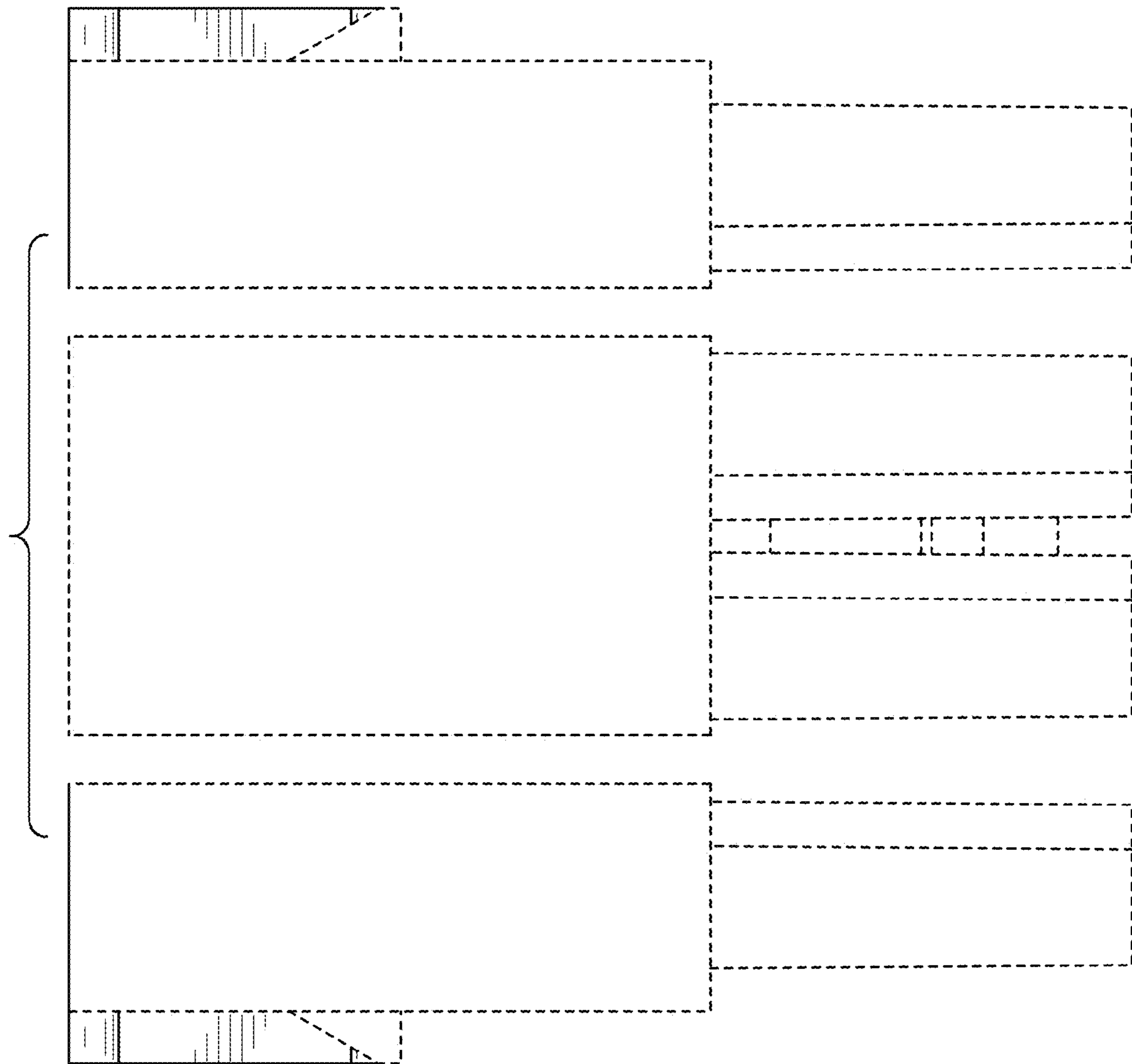


FIG. 35

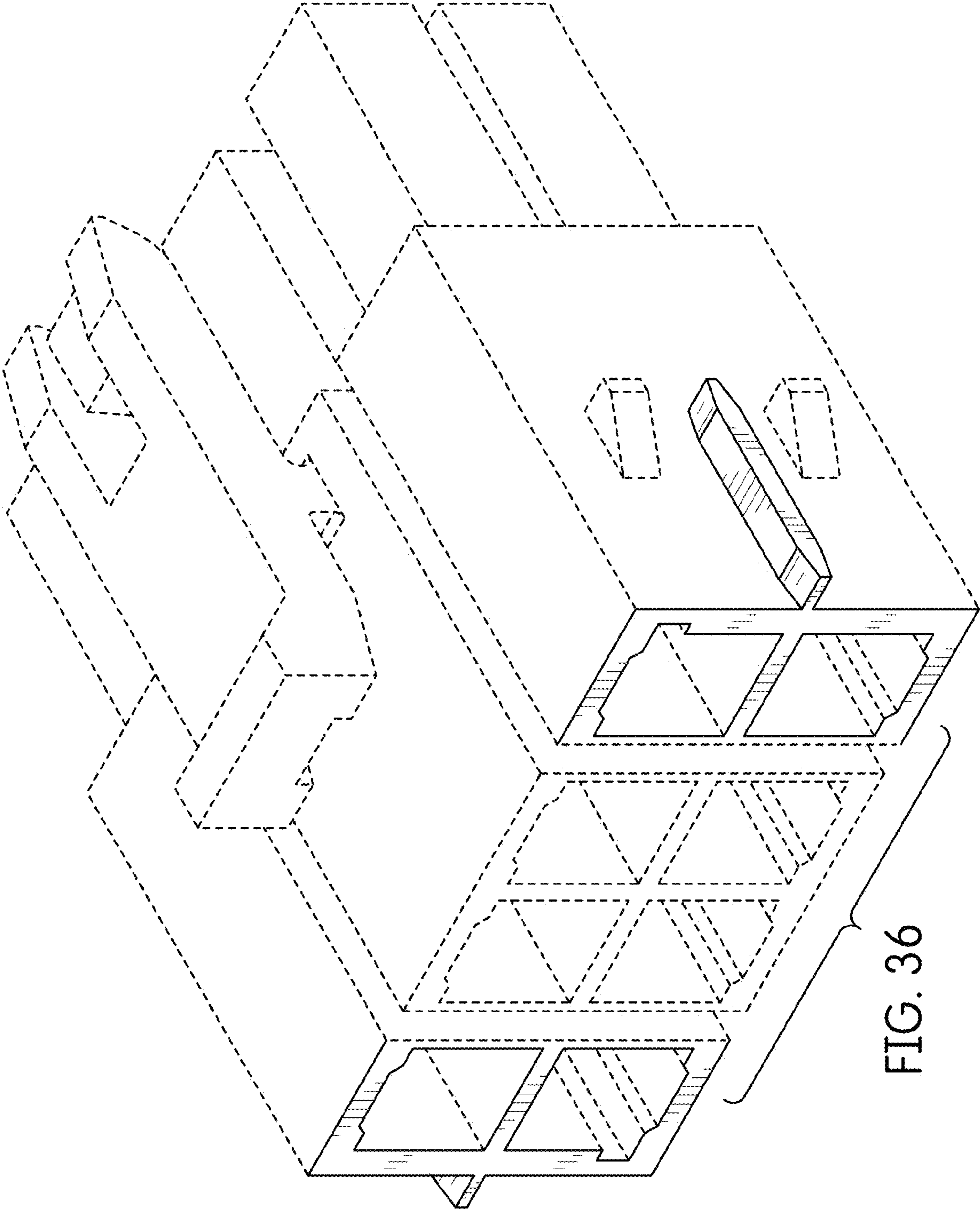
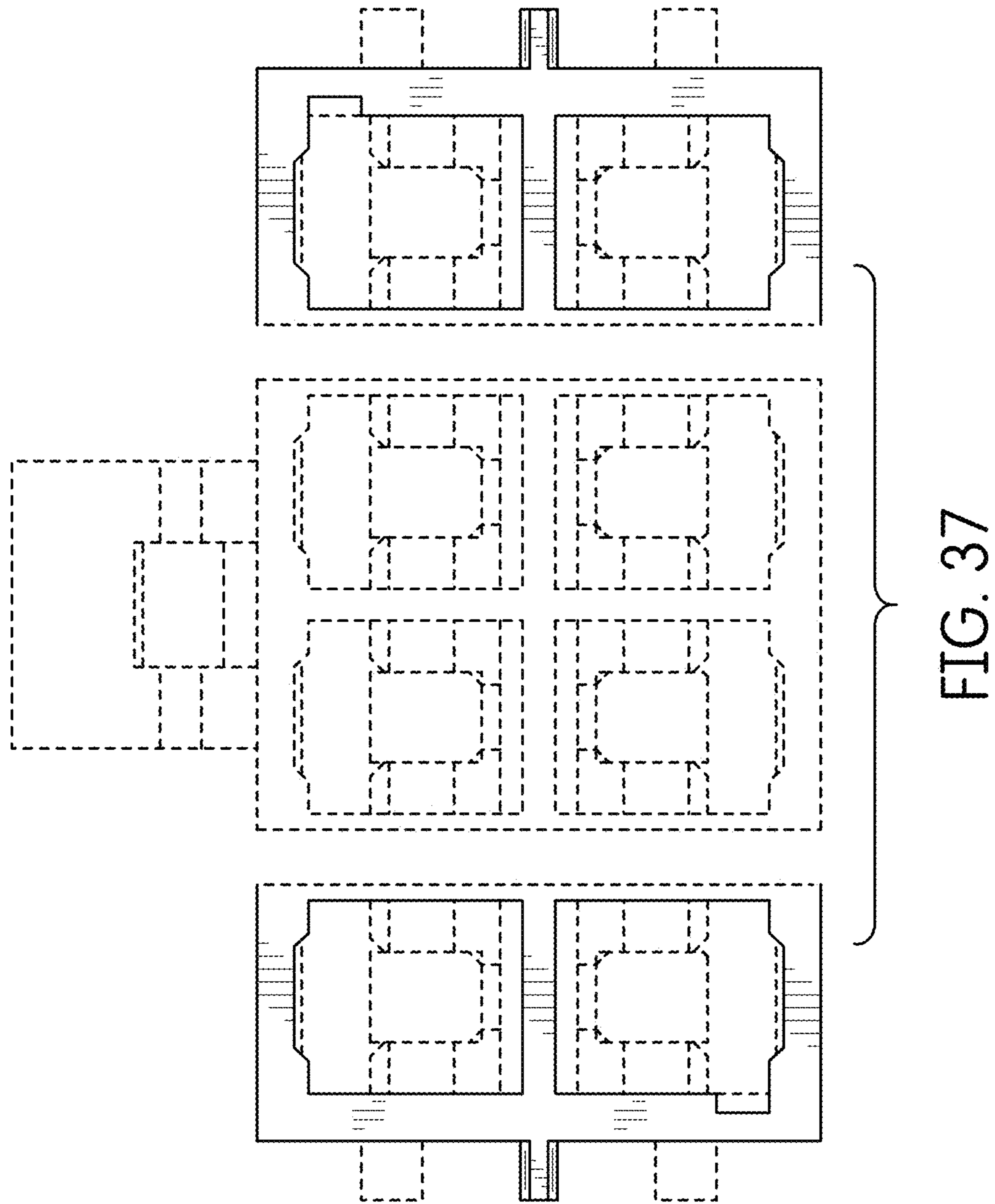
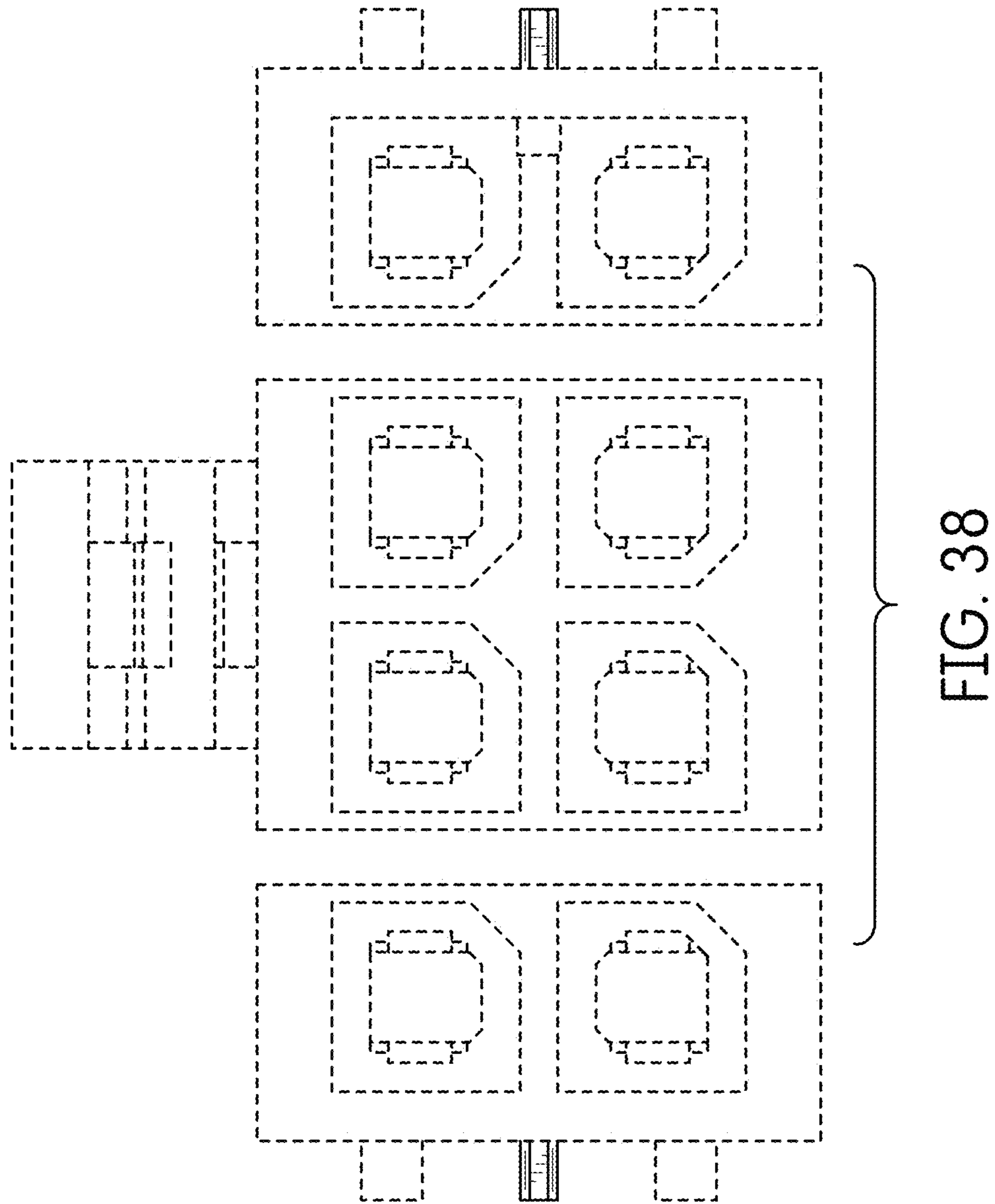


FIG. 36





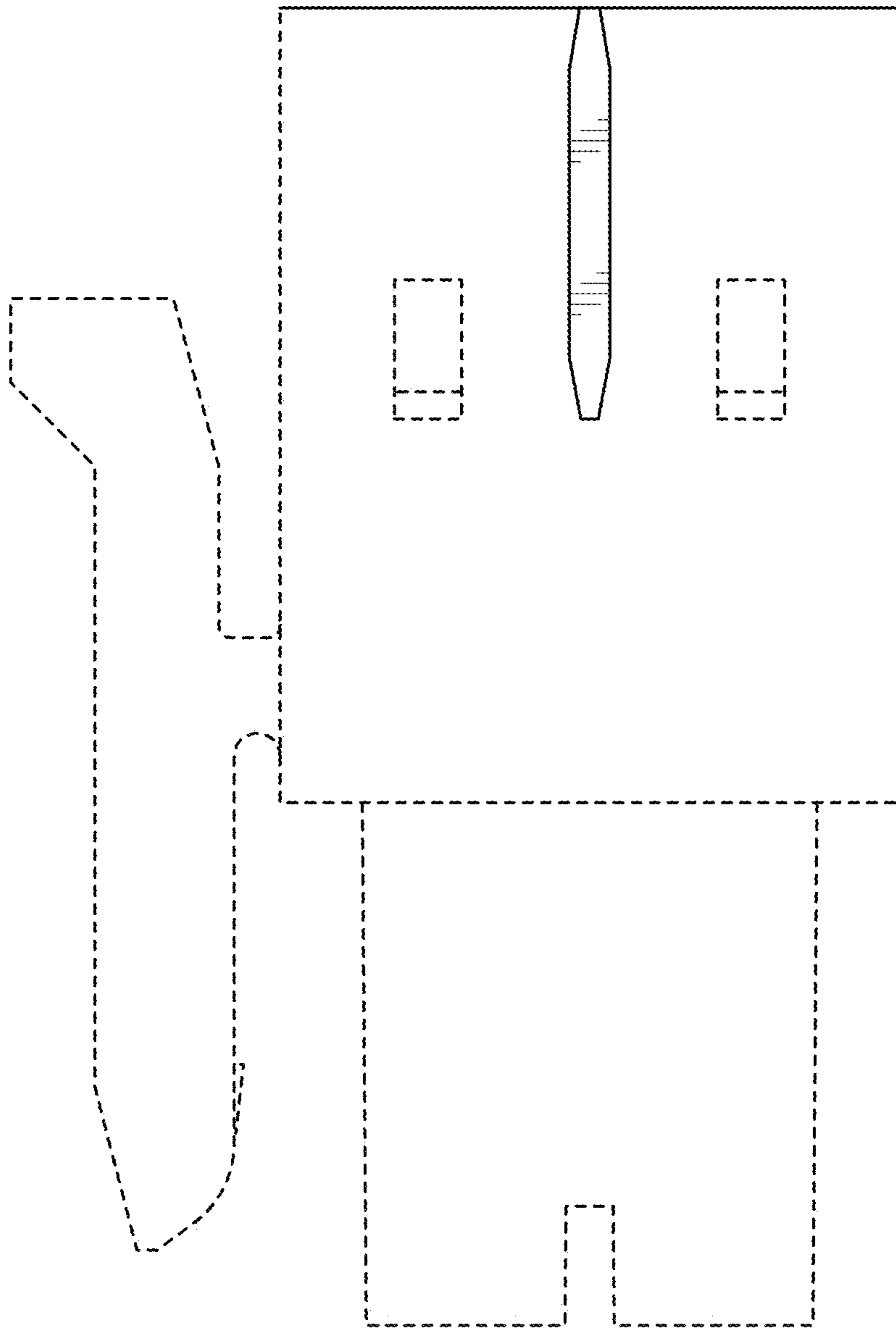


FIG. 39

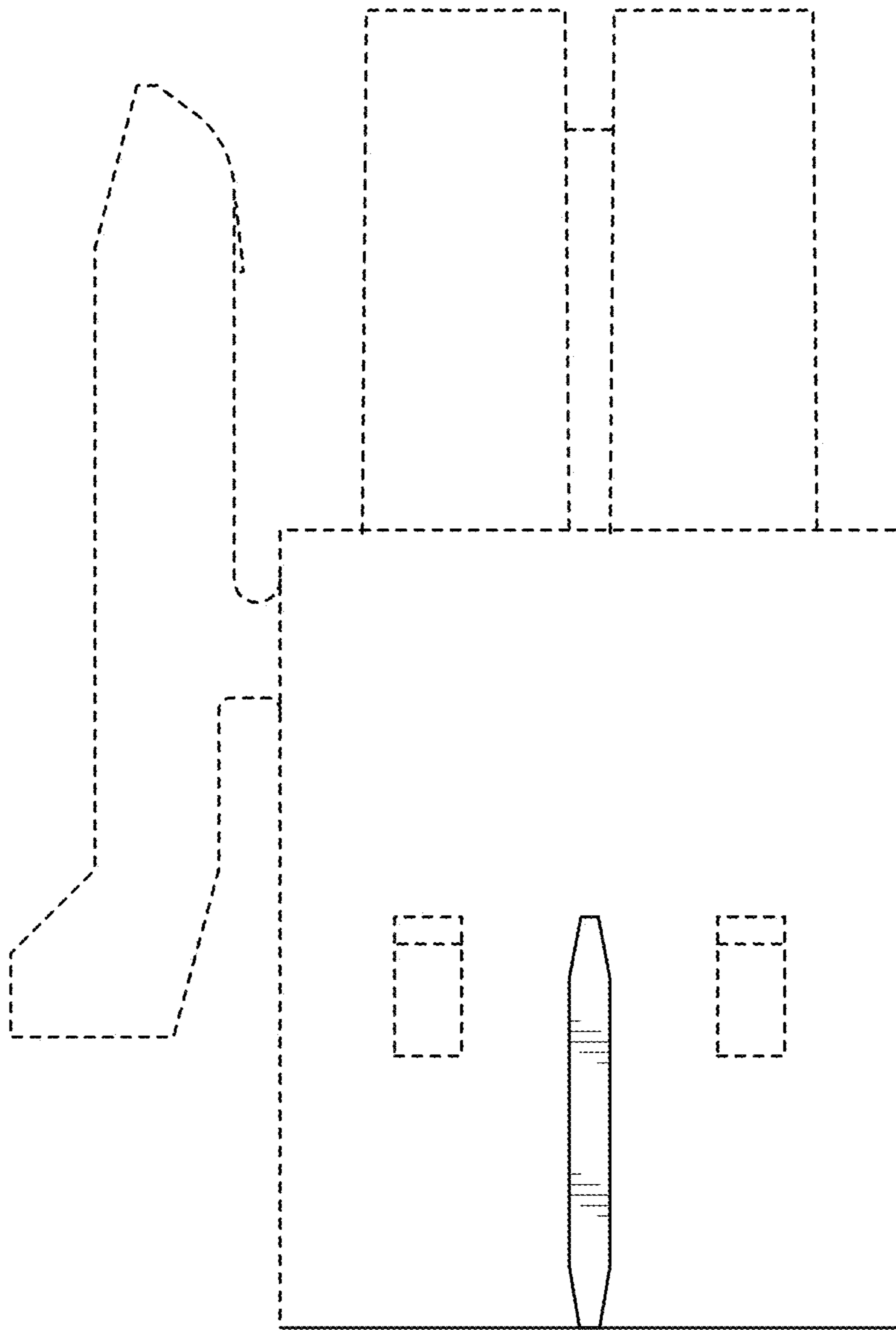


FIG. 40

FIG. 41

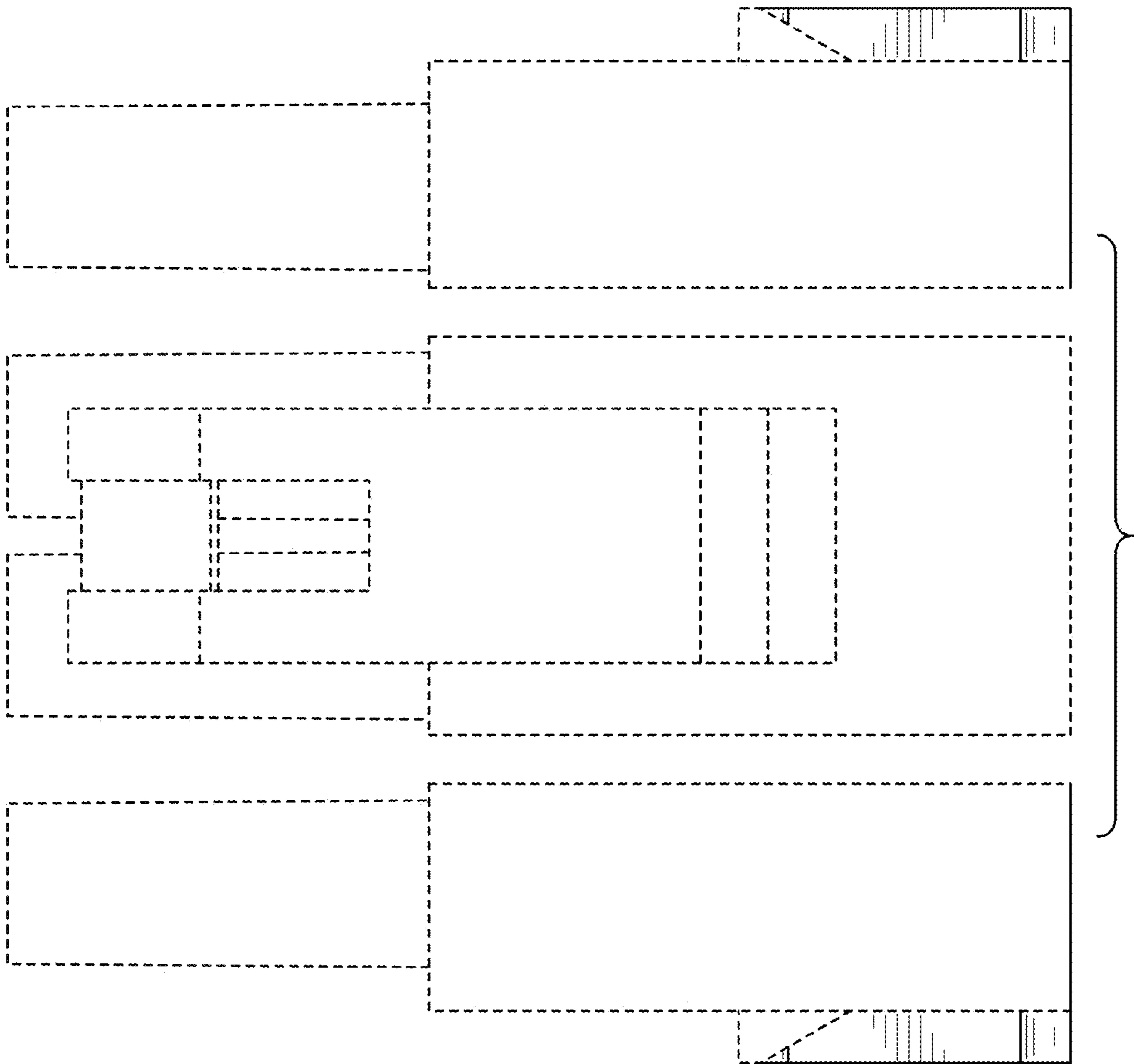
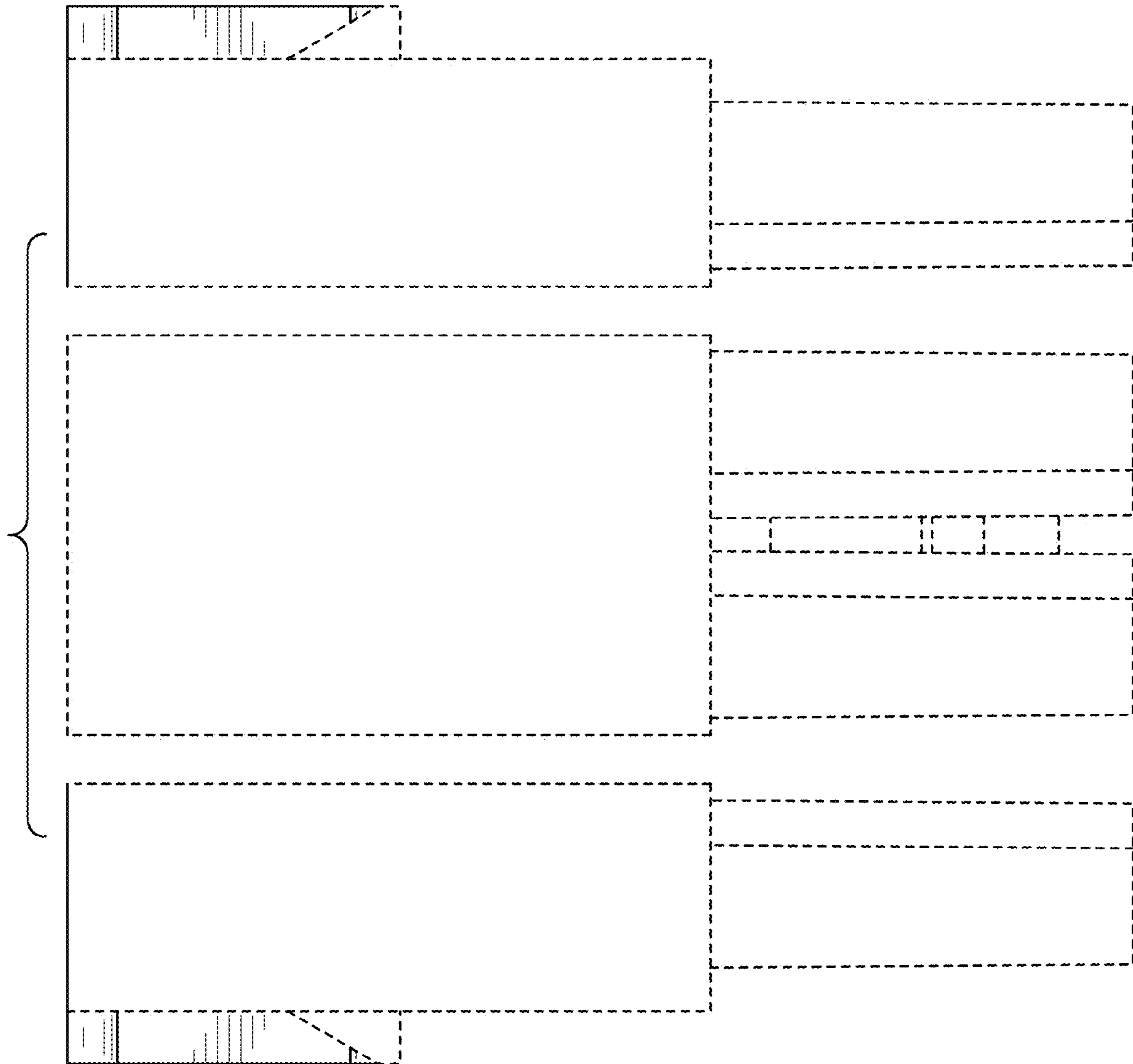
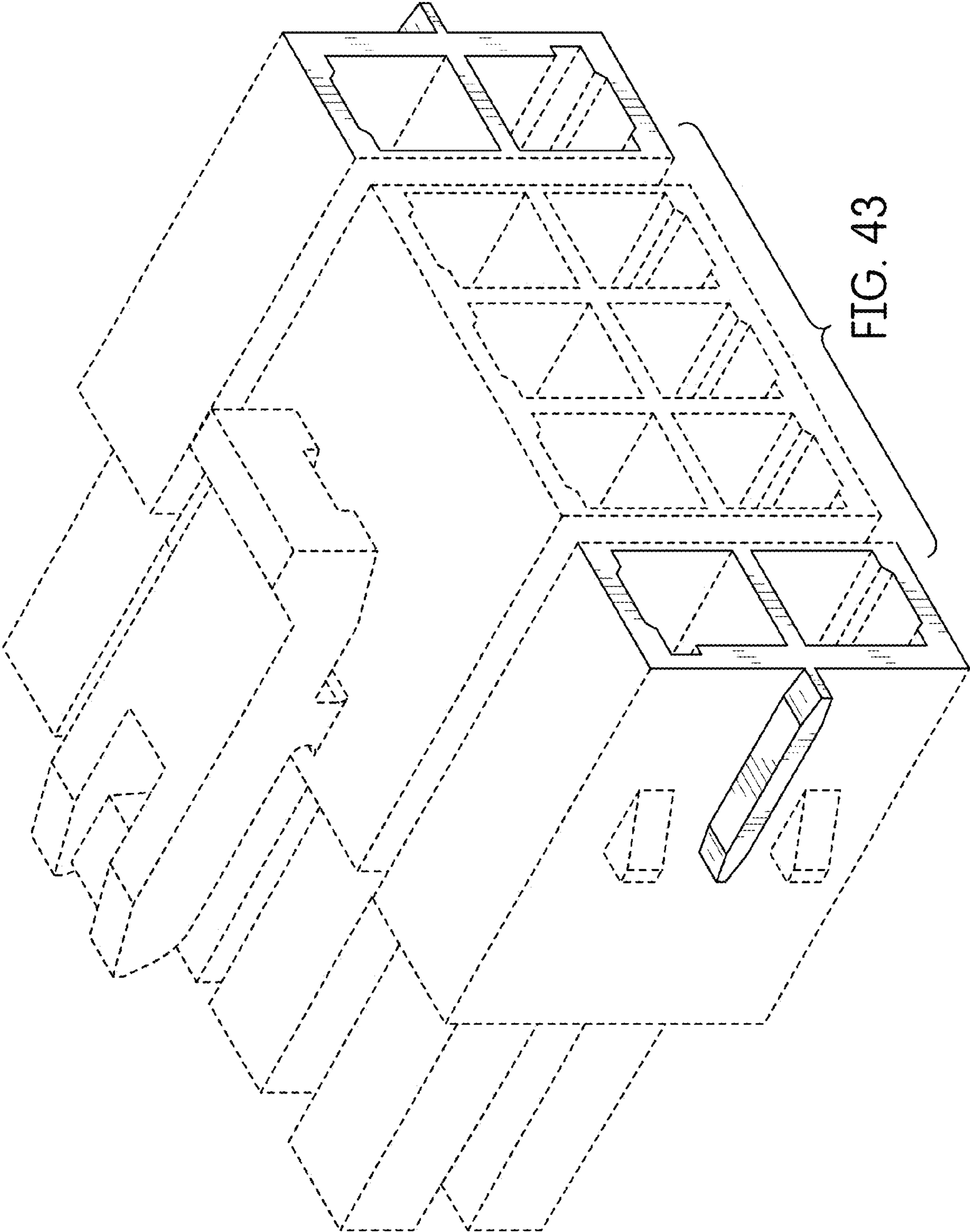


FIG. 42





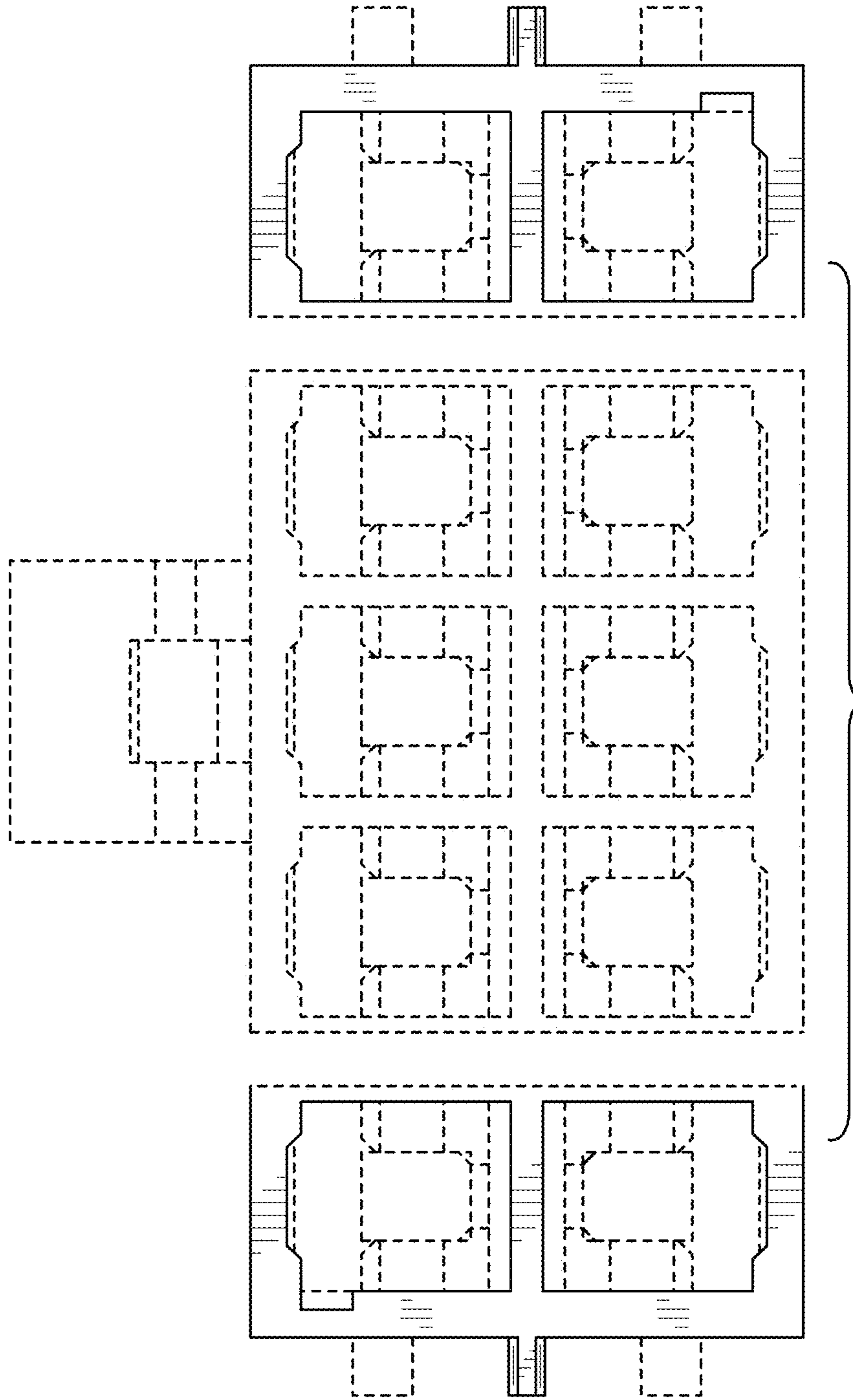
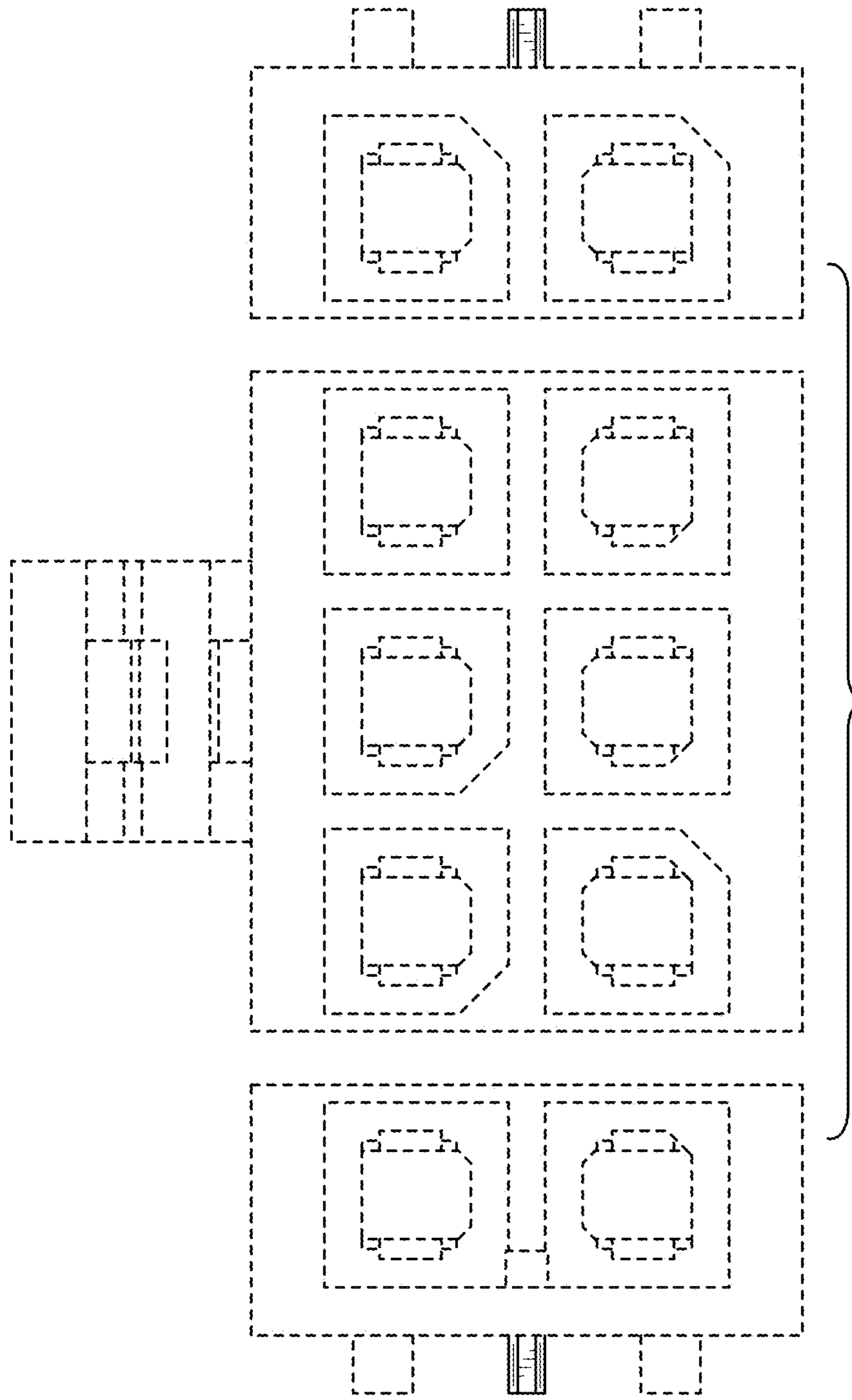


FIG. 44



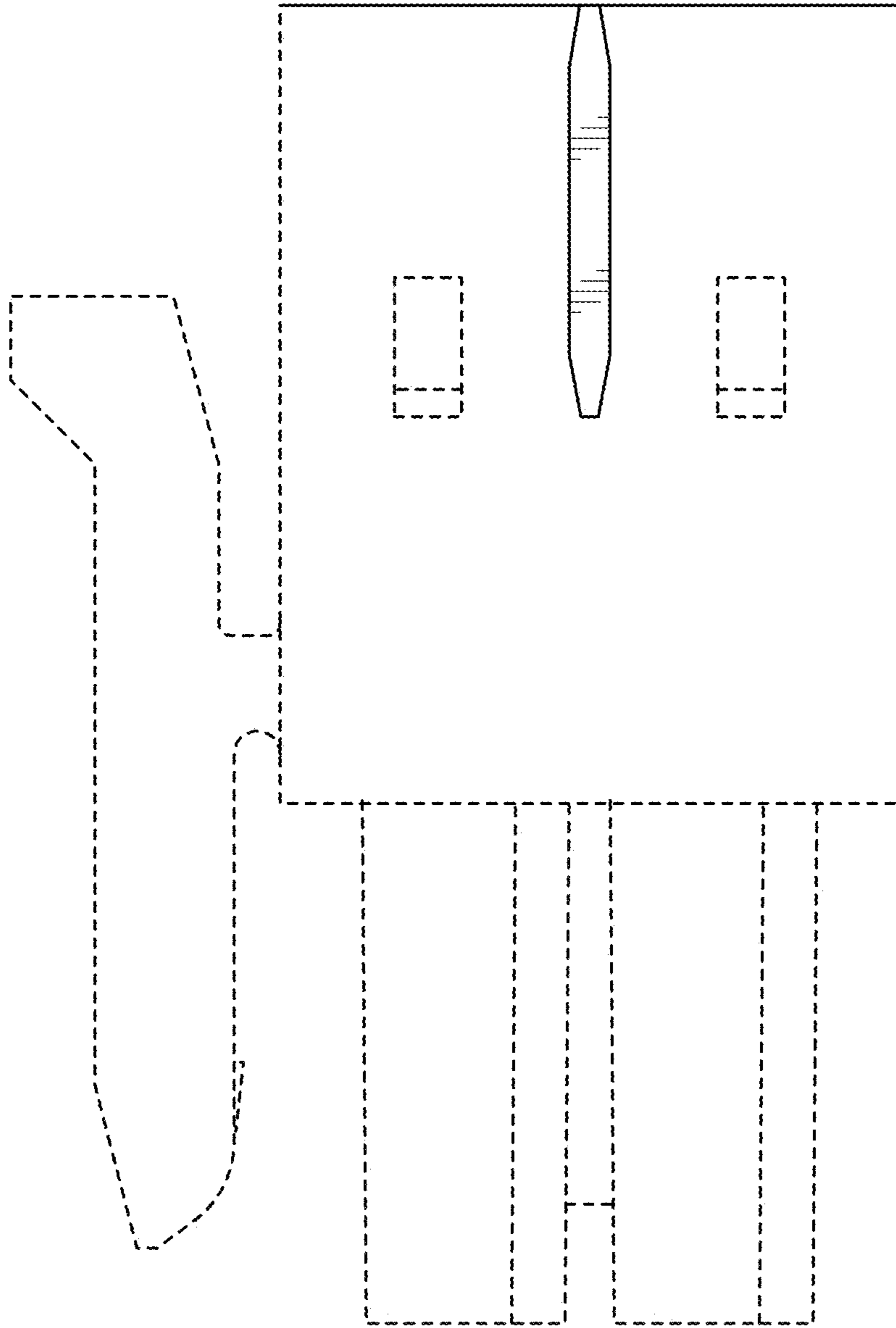


FIG. 46

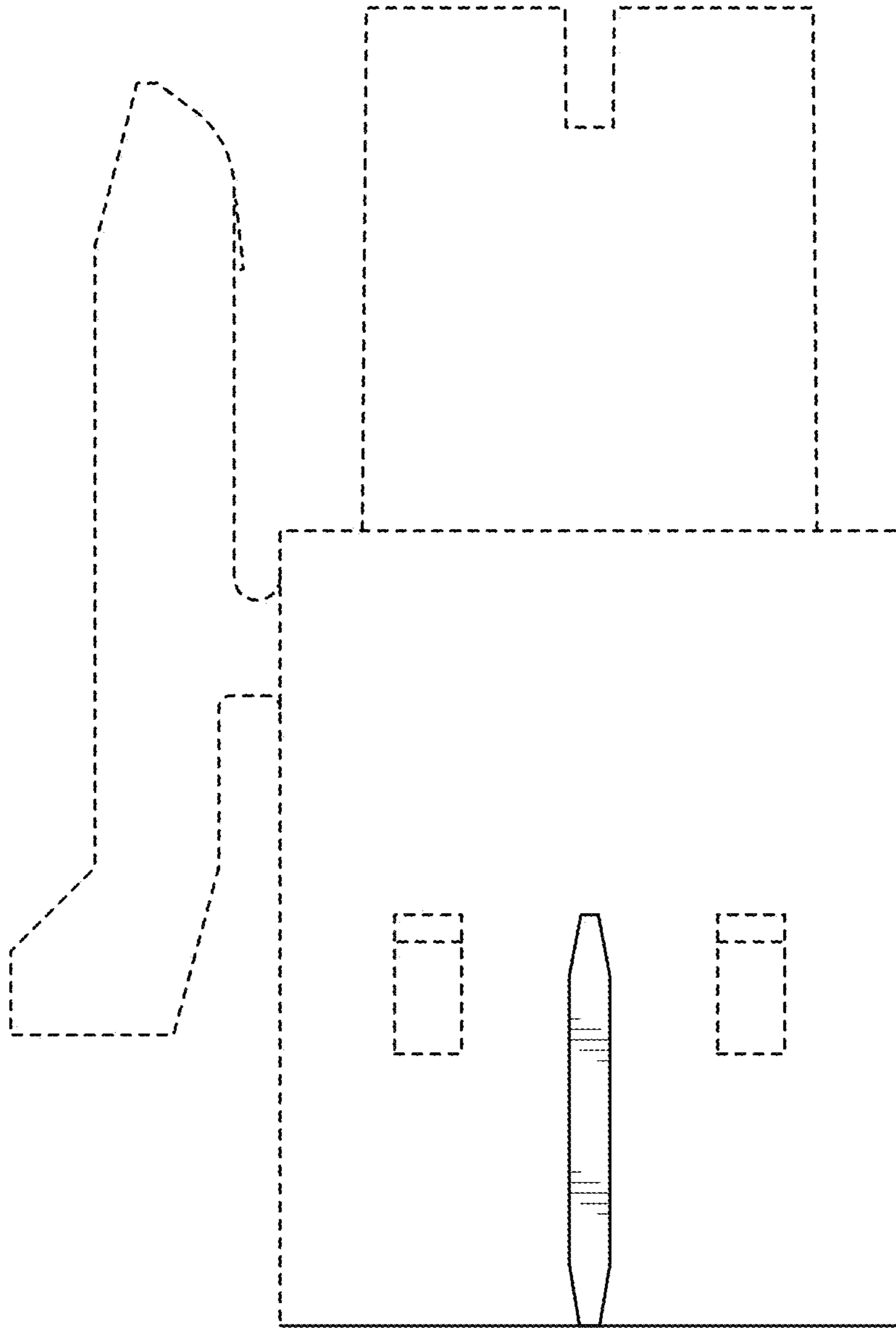


FIG. 47

FIG. 48

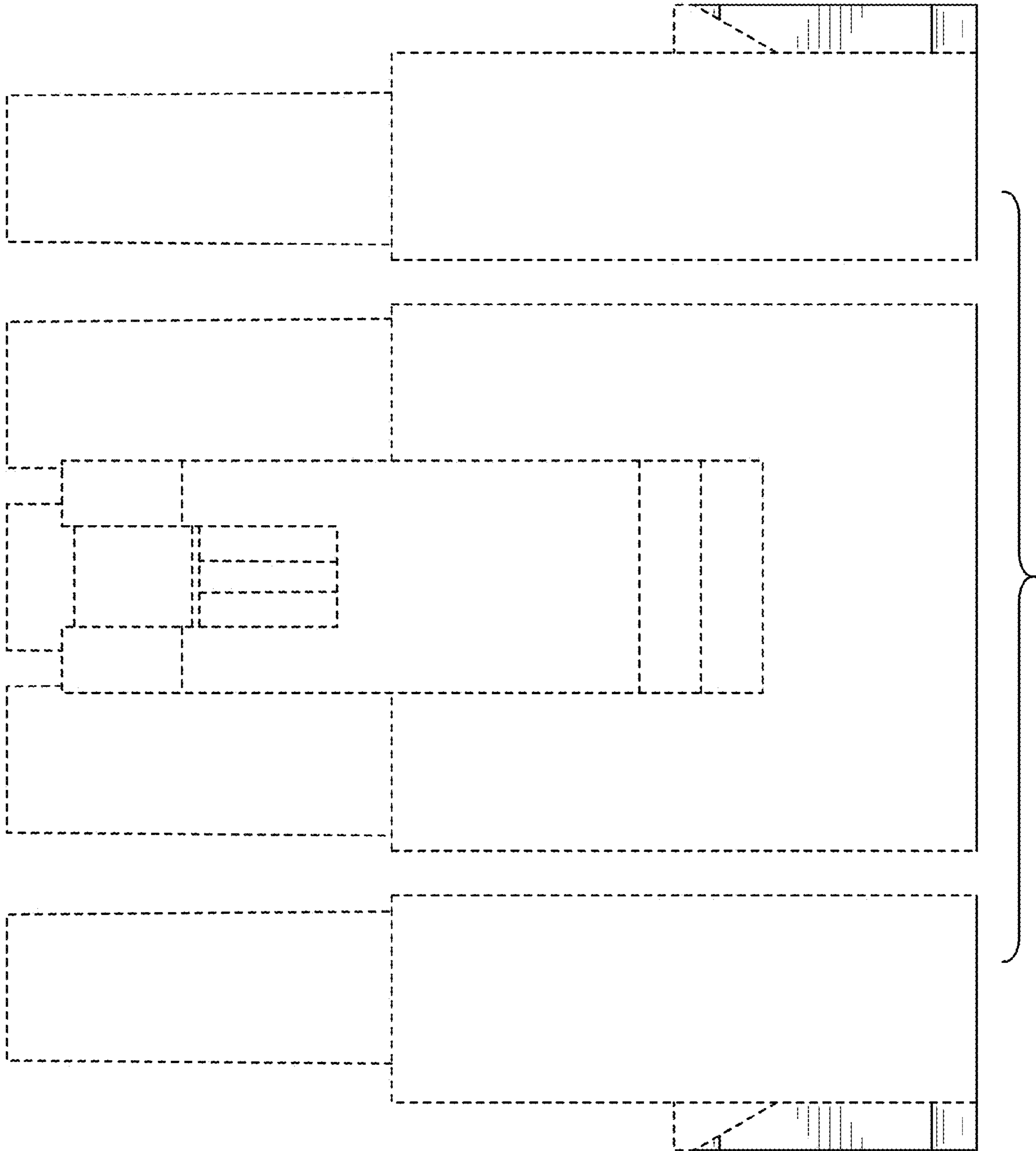
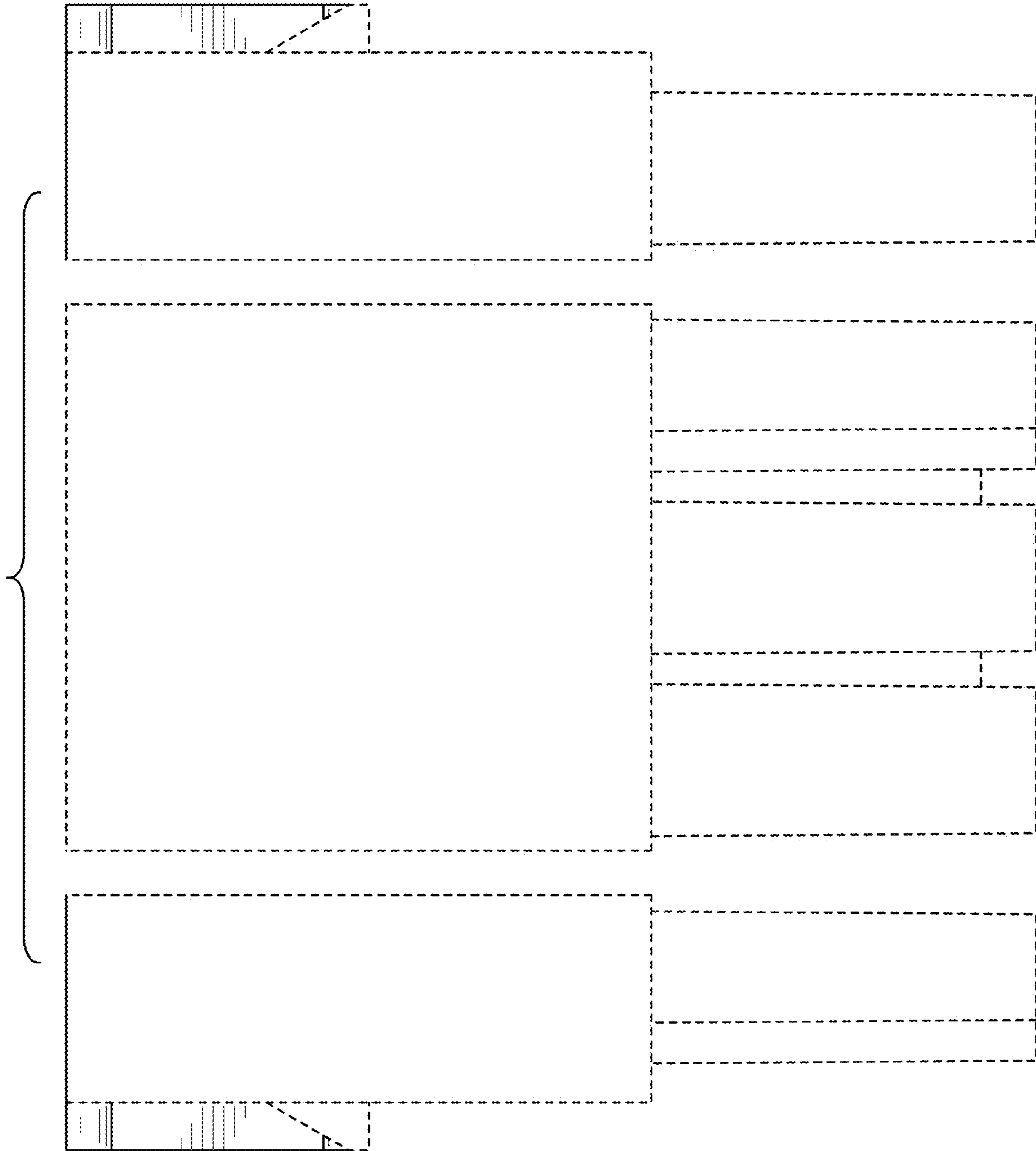


FIG. 49



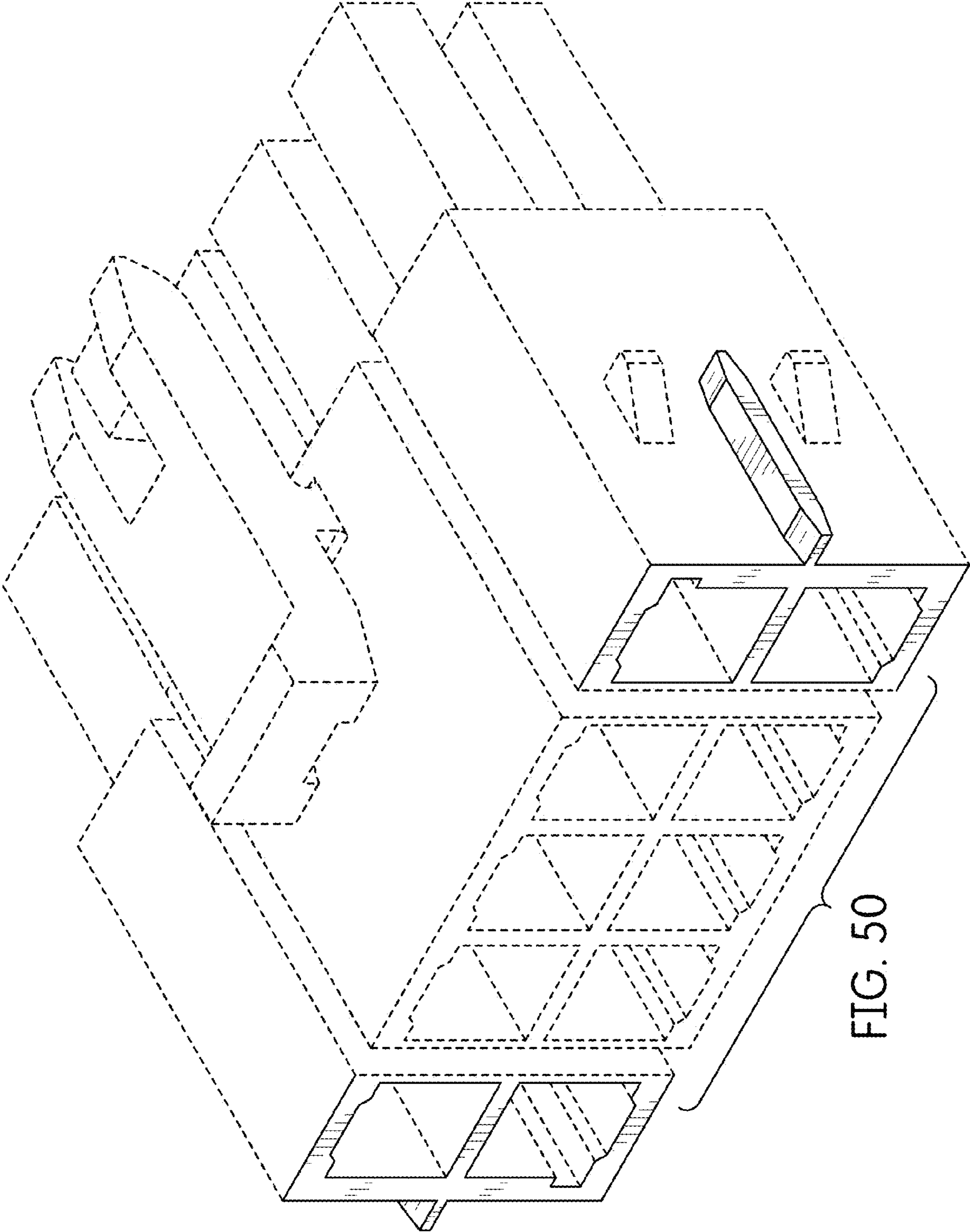


FIG. 50

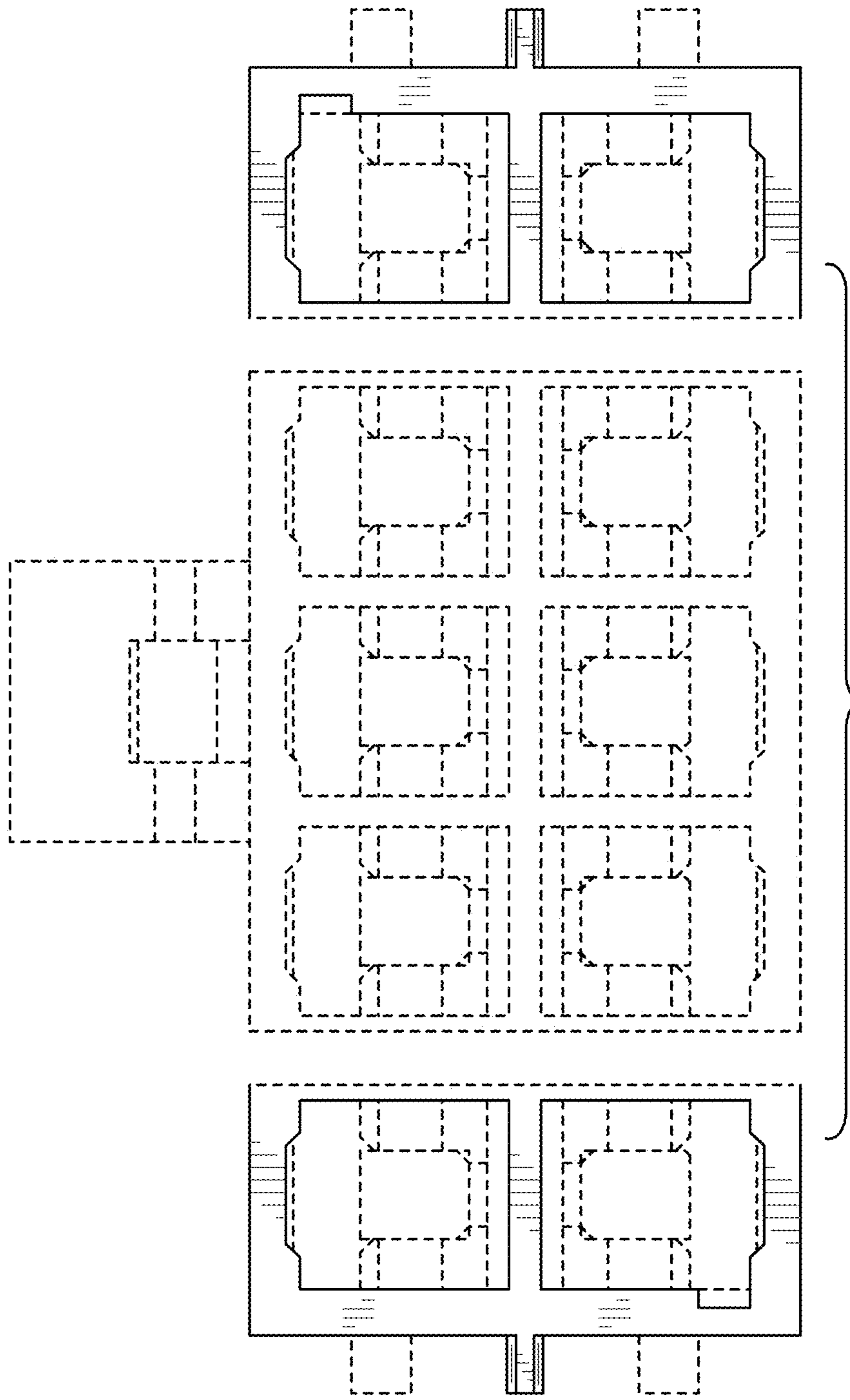


FIG. 51

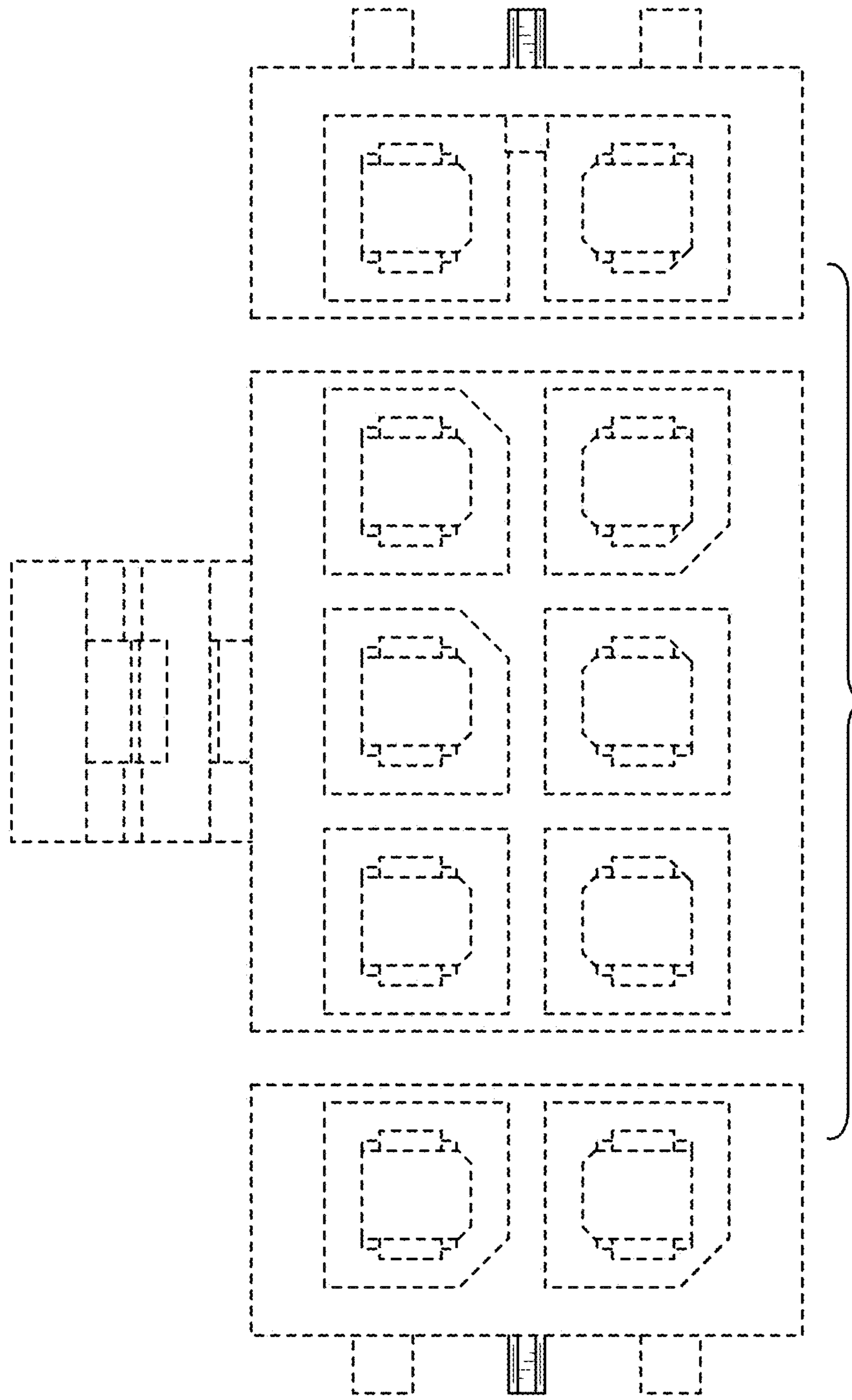


FIG. 52

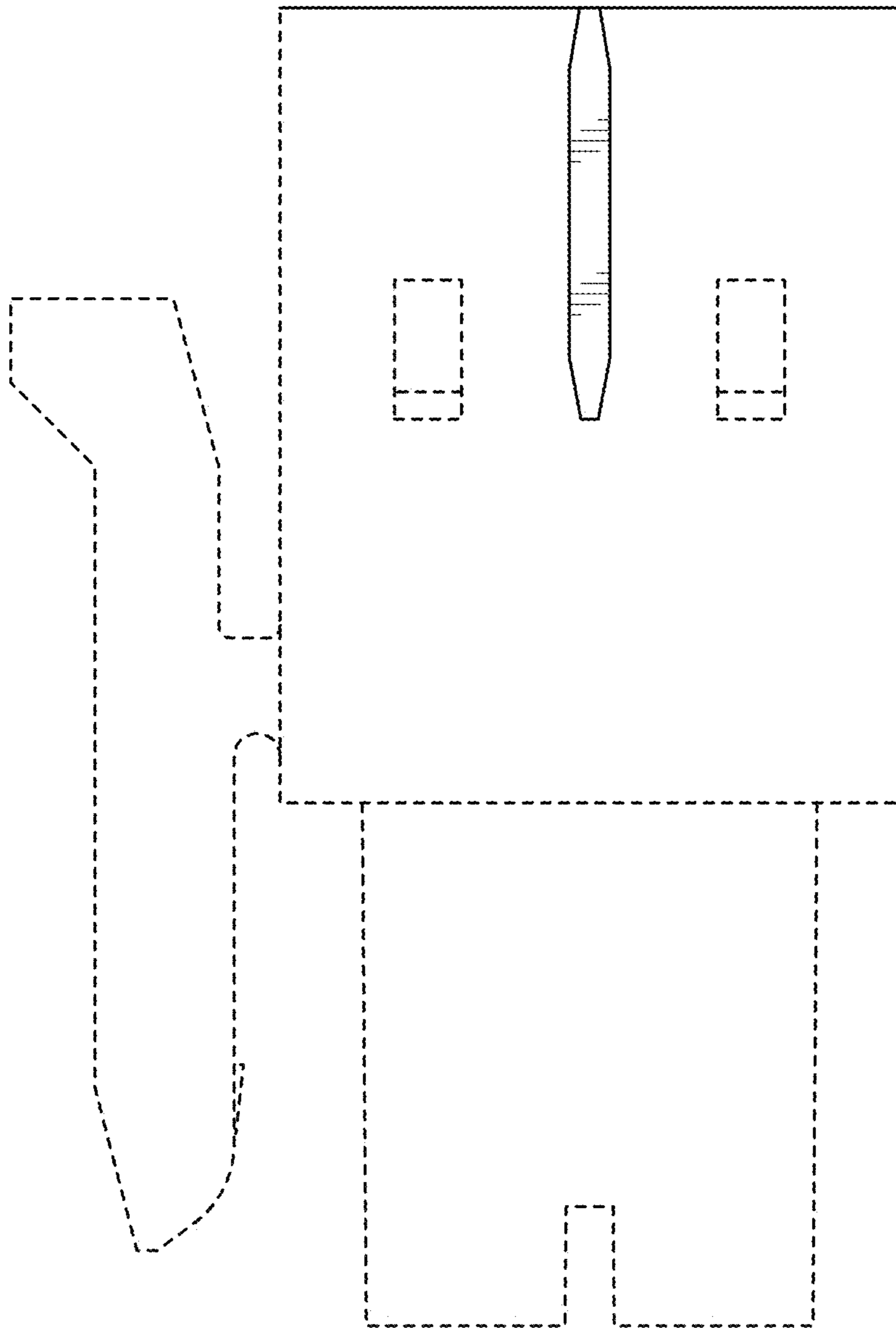


FIG. 53

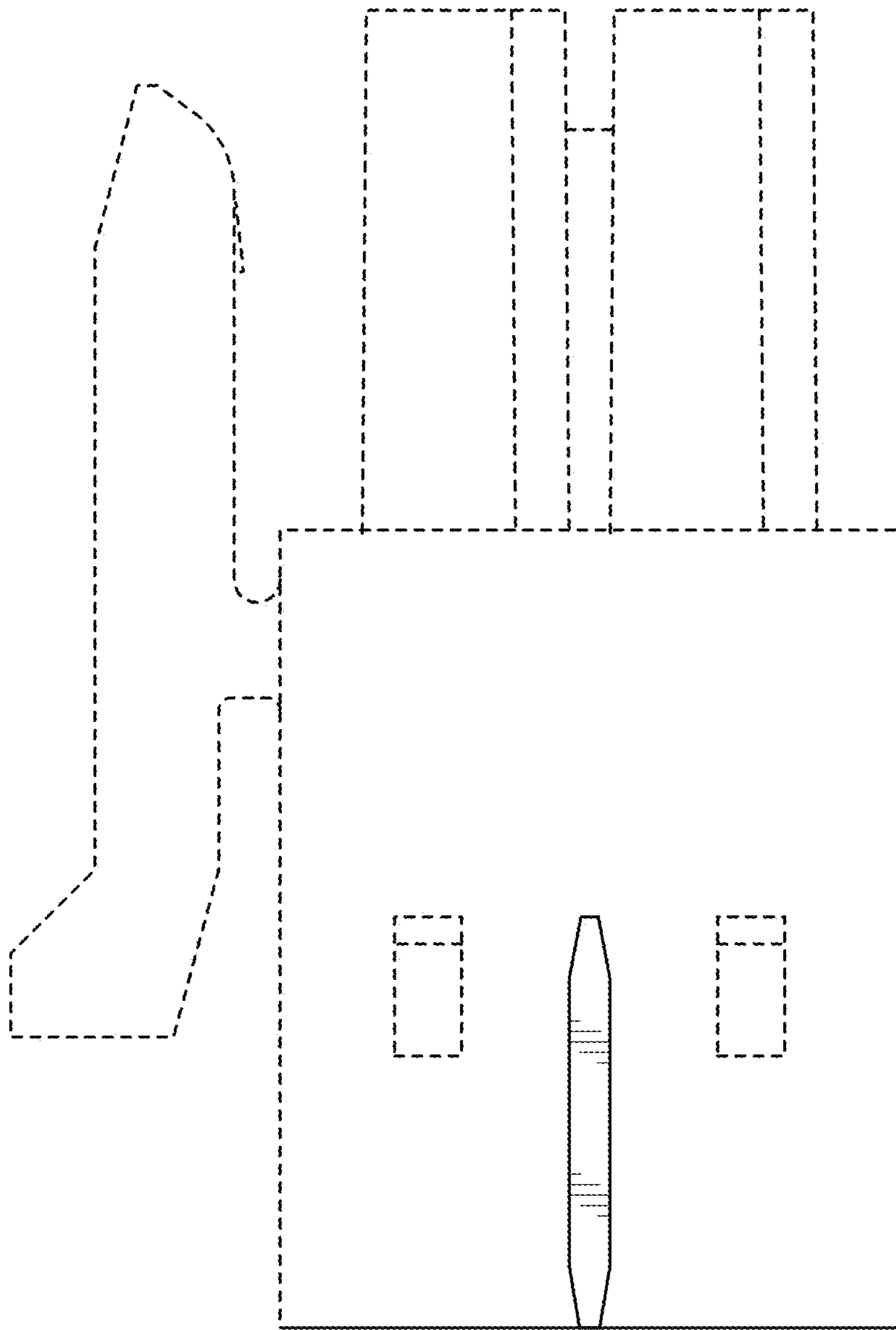


FIG. 54

FIG. 55

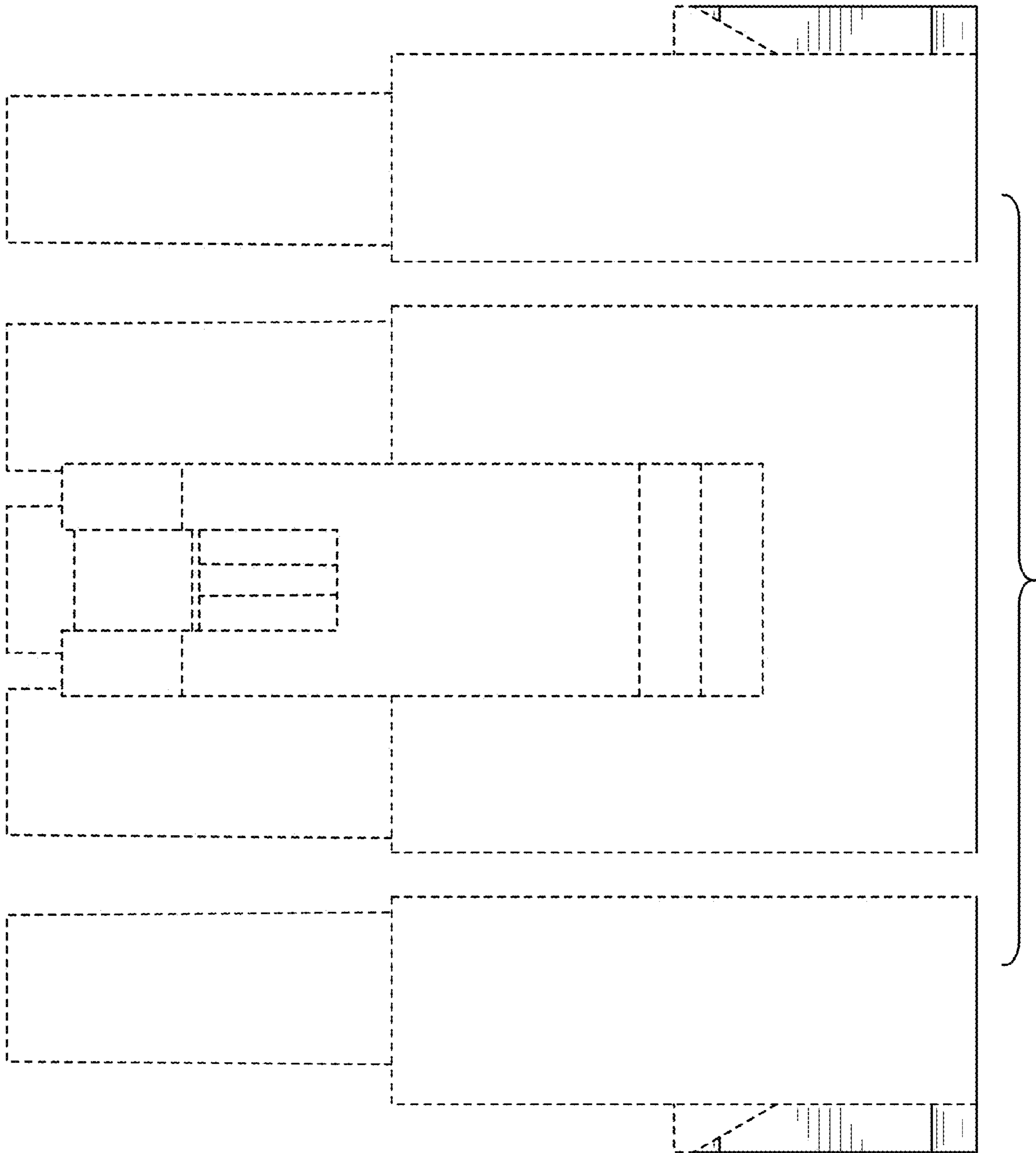


FIG. 56

