



US00D894123S

(12) **United States Design Patent**
Xiong

(10) **Patent No.:** **US D894,123 S**

(45) **Date of Patent:** **** Aug. 25, 2020**

(54) **WIRELESS EARBUDS WITH CHARGING CASE**

D829,168 S * 9/2018 Massee D13/108
D838,480 S * 1/2019 Son D3/294

(Continued)

(71) Applicant: **SHENZHEN MAITEWEI INVESTMENT AND DEVELOPMENT CO., LTD.**,
Shenzhen (CN)

Primary Examiner — Rosemary K Tarcza

(57) **CLAIM**

The ornamental design for wireless earbuds with charging case, as shown and described.

(72) Inventor: **Lan Xiong**, Pingxiang (CN)

DESCRIPTION

(73) Assignee: **SHENZHEN MAITEWEI INVESTMENT AND DEVELOPMENT CO., LTD.**,
Shenzhen (CN)

FIG. 1 is a perspective view of the wireless earbuds with charging case, shown with the wireless earbuds removed to show aspects of the design that are not visible when combined;

FIG. 2 is another perspective view thereof;

FIG. 3 is a front elevational view thereof;

FIG. 4 is a rear elevational view thereof;

FIG. 5 is a left side elevational view thereof;

FIG. 6 is a right side elevational view thereof;

FIG. 7 is a top plan view thereof;

FIG. 8 is a bottom plan view thereof;

FIG. 9 is a perspective view of the wireless earbuds with charging case, shown with the charging case removed to show aspects of the design that are not visible when combined;

FIG. 10 is another perspective view thereof;

FIG. 11 is a front elevational view thereof;

FIG. 12 is a rear elevational view thereof;

FIG. 13 is a left side elevational view thereof;

FIG. 14 is a right side elevational view thereof;

FIG. 15 is a top plan view thereof;

FIG. 16 is a bottom plan view thereof;

FIG. 17 is a perspective view of the wireless earbuds with charging case where the wireless earbuds are received in the charging case; and,

FIG. 18 is a perspective view of the wireless earbuds with charging case where the charging case is in a closed state.

The broken lines in the drawings depict boundaries of the wireless earbuds with charging case that form no part of the claimed design.

(**) Term: **15 Years**

(21) Appl. No.: **29/727,238**

(22) Filed: **Mar. 9, 2020**

(51) **LOC (12) Cl.** **13-02**

(52) **U.S. Cl.**
USPC **D13/108; D14/223**

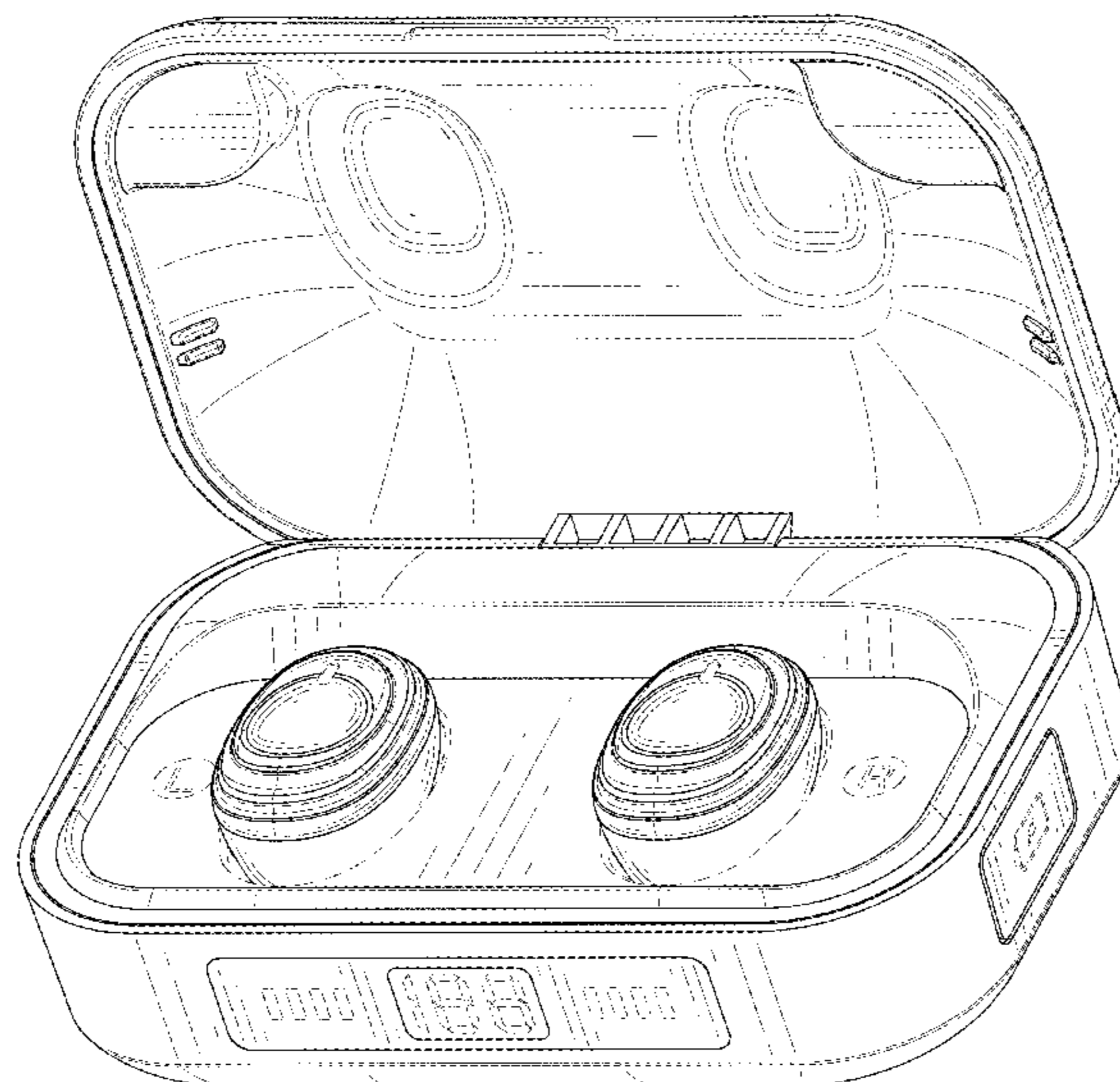
(58) **Field of Classification Search**
USPC D13/107–108, 110, 118, 184, 199;
D14/432, 434, 205, 206, 223, 225;
D3/201, 205, 208, 218, 273, 274, 294,
D3/295; D24/174
CPC .. H02J 7/005; H02J 7/025; H02J 50/00; H02J
50/10; H02J 50/12; H02J 50/40; H02J
50/402; H02J 50/50; H02J 50/80; H04R
1/10; H04R 1/1066; H04R 1/1016; H04R
25/00; H04R 5/033; H04R 5/0335
See application file for complete search history.

(56) **References Cited**

U.S. PATENT DOCUMENTS

D740,223 S * 10/2015 Yoneta D13/108
D772,572 S * 11/2016 Palmberg D3/201
D817,640 S * 5/2018 Dang D3/294

1 Claim, 18 Drawing Sheets



(56)

References Cited

U.S. PATENT DOCUMENTS

D841,580	S	*	2/2019	Bao	D13/108
D841,581	S	*	2/2019	Bonahoom	D13/108
D843,353	S	*	3/2019	Zhang	D14/223
D846,264	S	*	4/2019	Wu	D3/201
D858,489	S	*	9/2019	Hu	D14/223
D863,261	S	*	10/2019	Zhu	D14/223
D863,263	S	*	10/2019	Yu	D14/223
D864,110	S	*	10/2019	Yoshimura	D13/108
D864,167	S	*	10/2019	Wu	D14/223
D865,722	S	*	11/2019	Cai	D14/223
D872,063	S	*	1/2020	Arimoto	D14/223
D873,217	S	*	1/2020	Zhang	D13/108
D879,074	S	*	3/2020	Komiya	D14/223
D880,457	S	*	4/2020	Zhu	D14/223
D881,810	S	*	4/2020	Zhang	D13/108
D883,261	S	*	5/2020	Zhang	D14/223
D883,958	S	*	5/2020	Liu	D14/223
D884,681	S	*	5/2020	Zhang	D14/223
D885,372	S	*	5/2020	Wang	D14/223
2017/0094394	A1		3/2017	Mcpeak et al.		
2018/0091887	A1		3/2018	Minoo et al.		
2019/0069066	A1*		2/2019	Song	H04R 1/1025

* cited by examiner

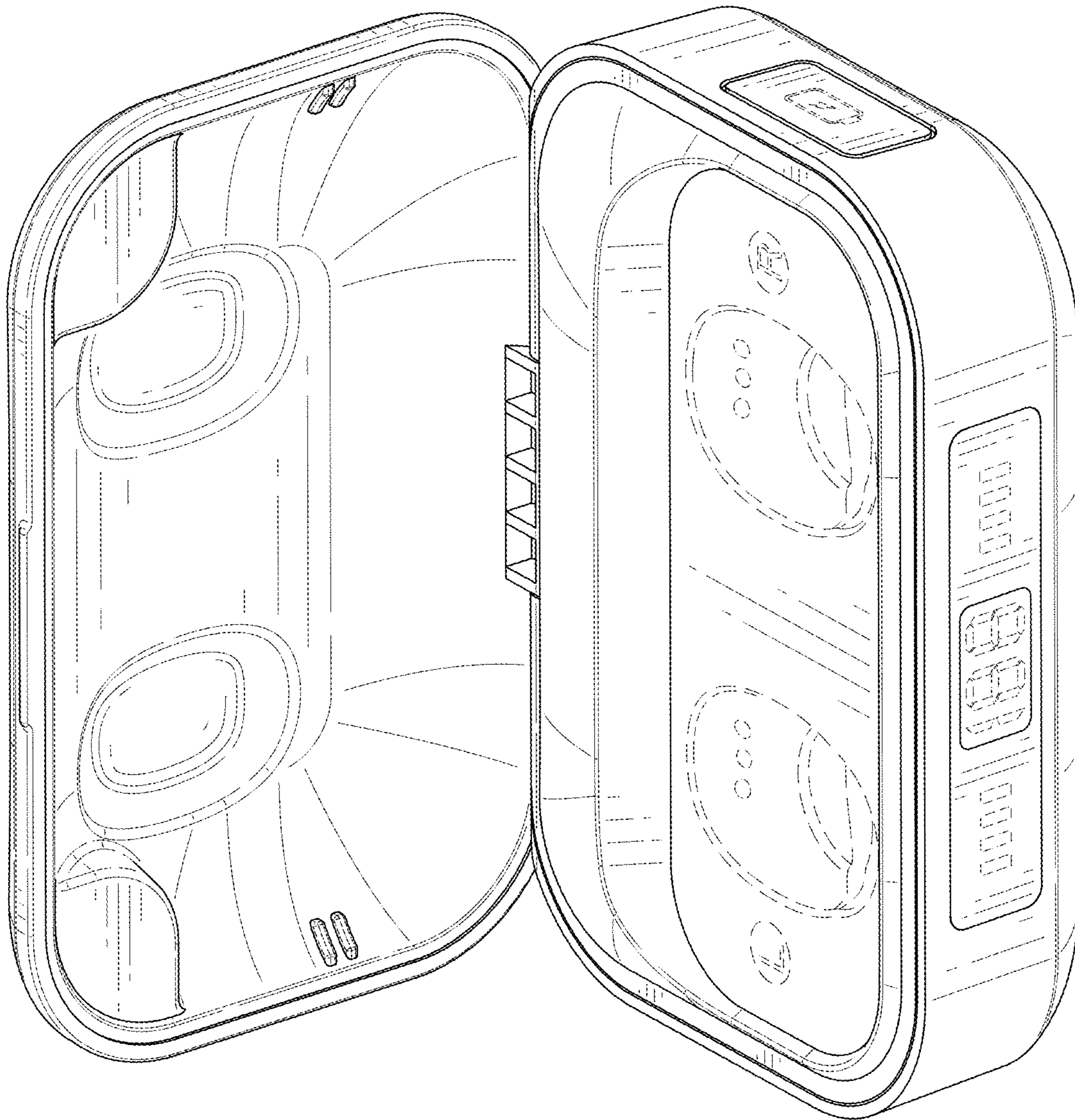


FIG. 1

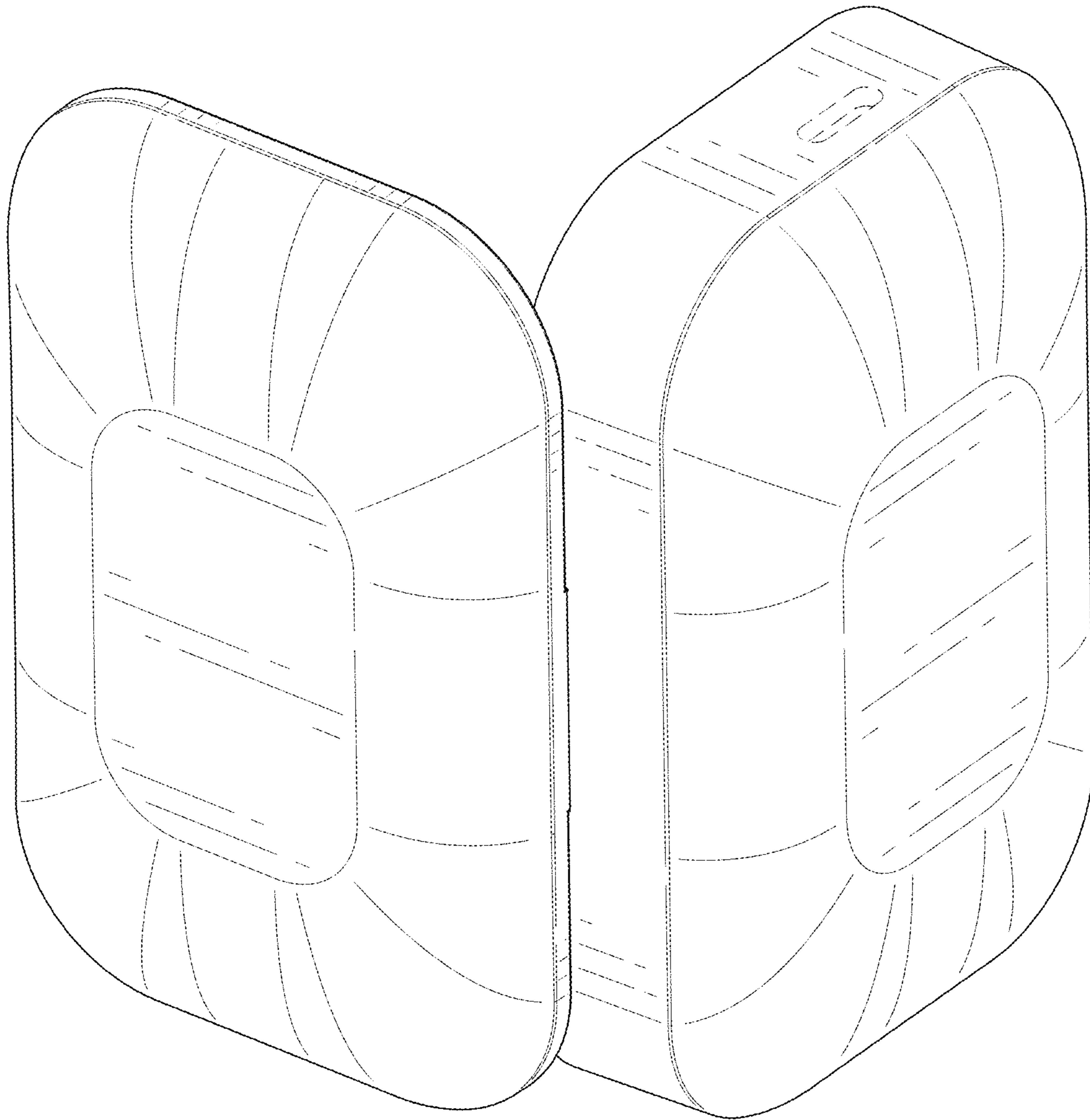


FIG. 2

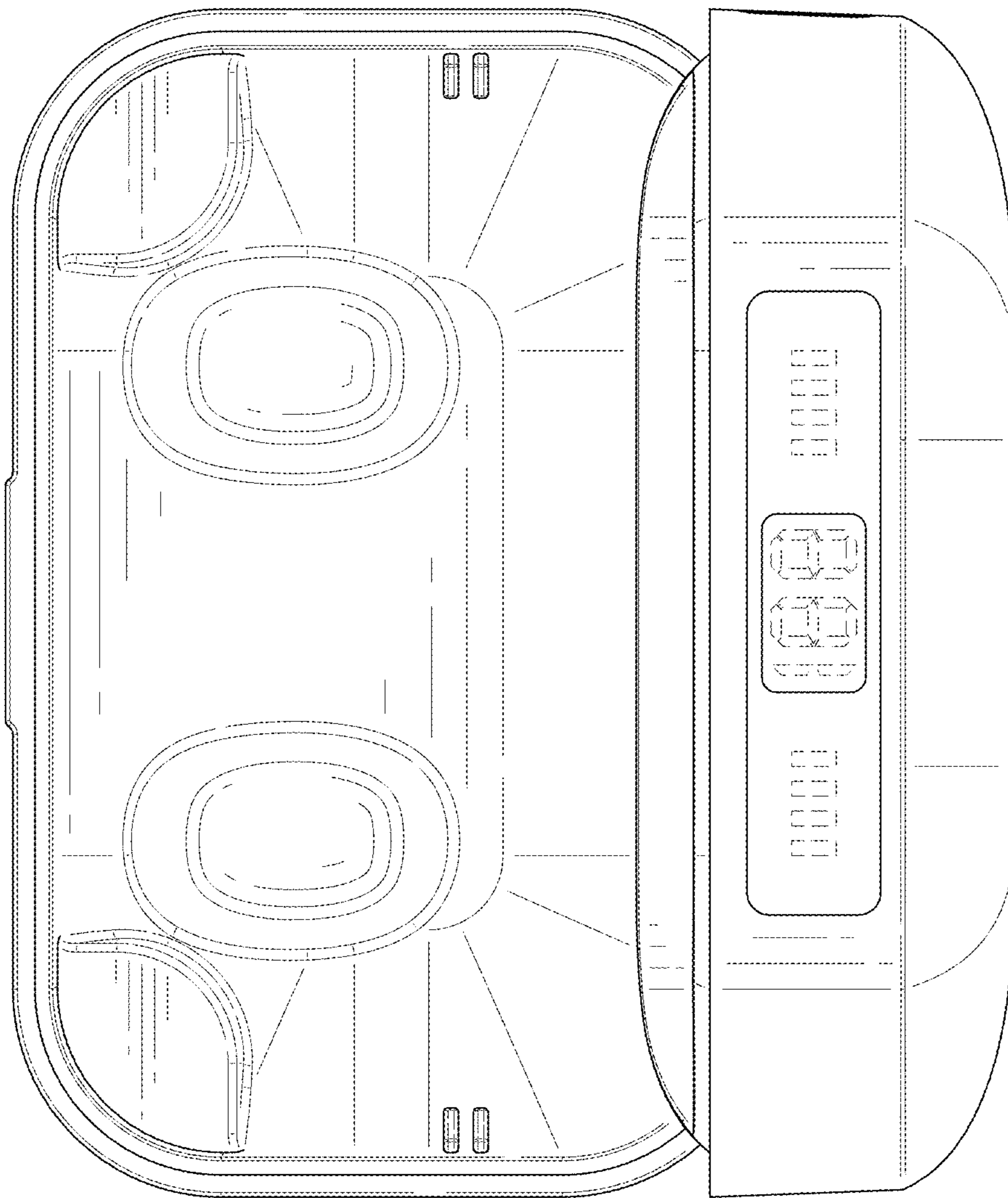


FIG. 3

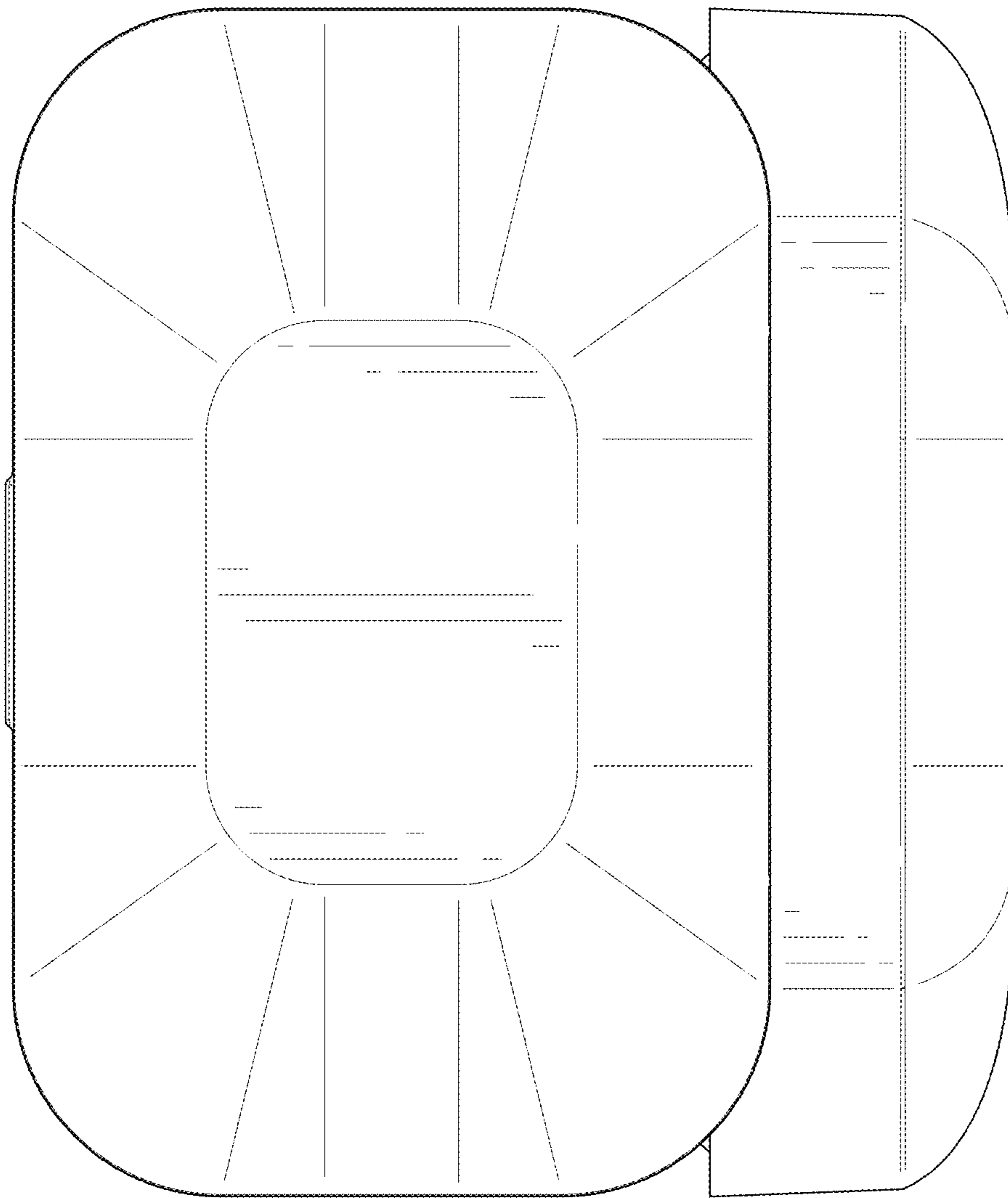


FIG. 4

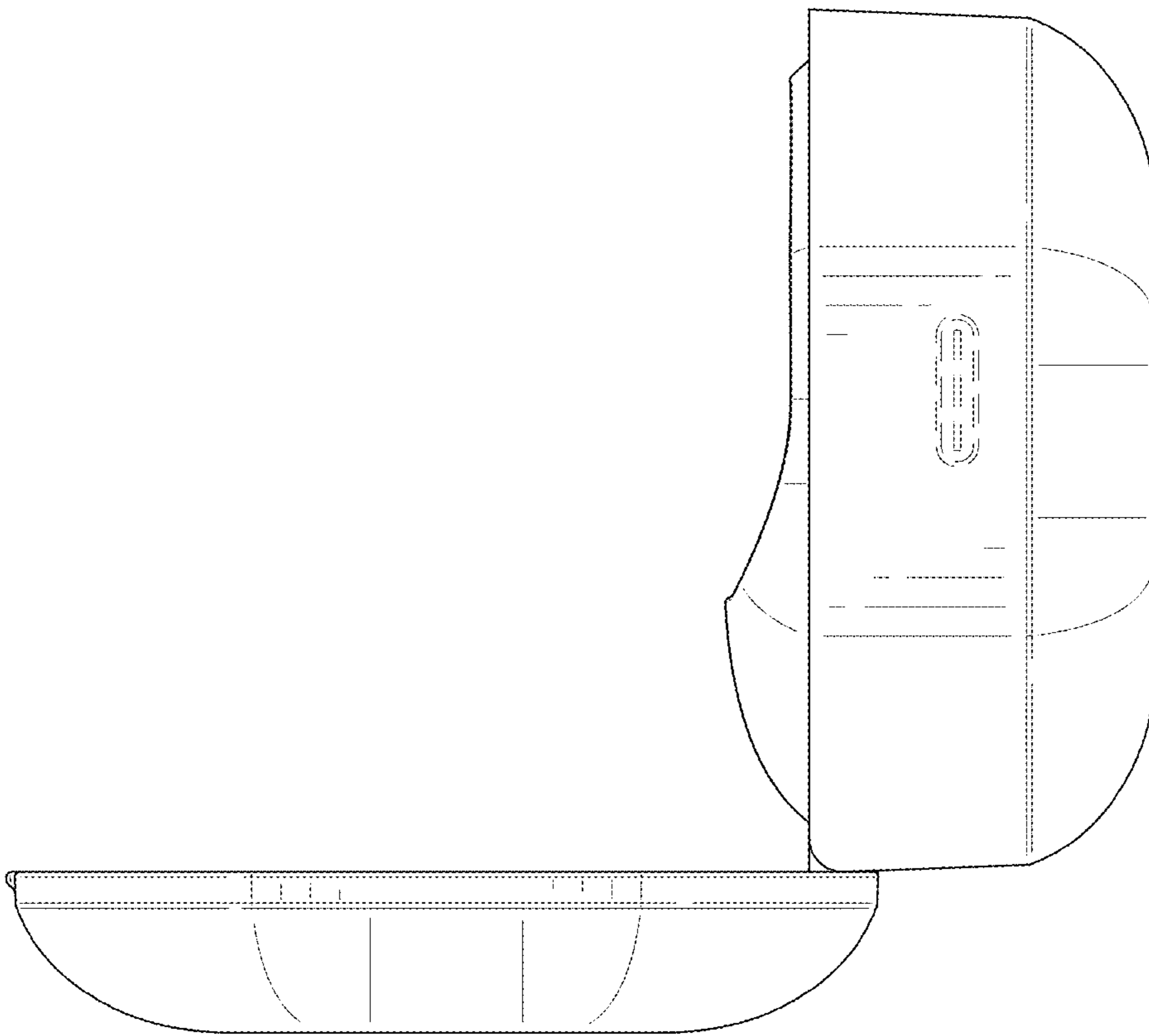


FIG. 5

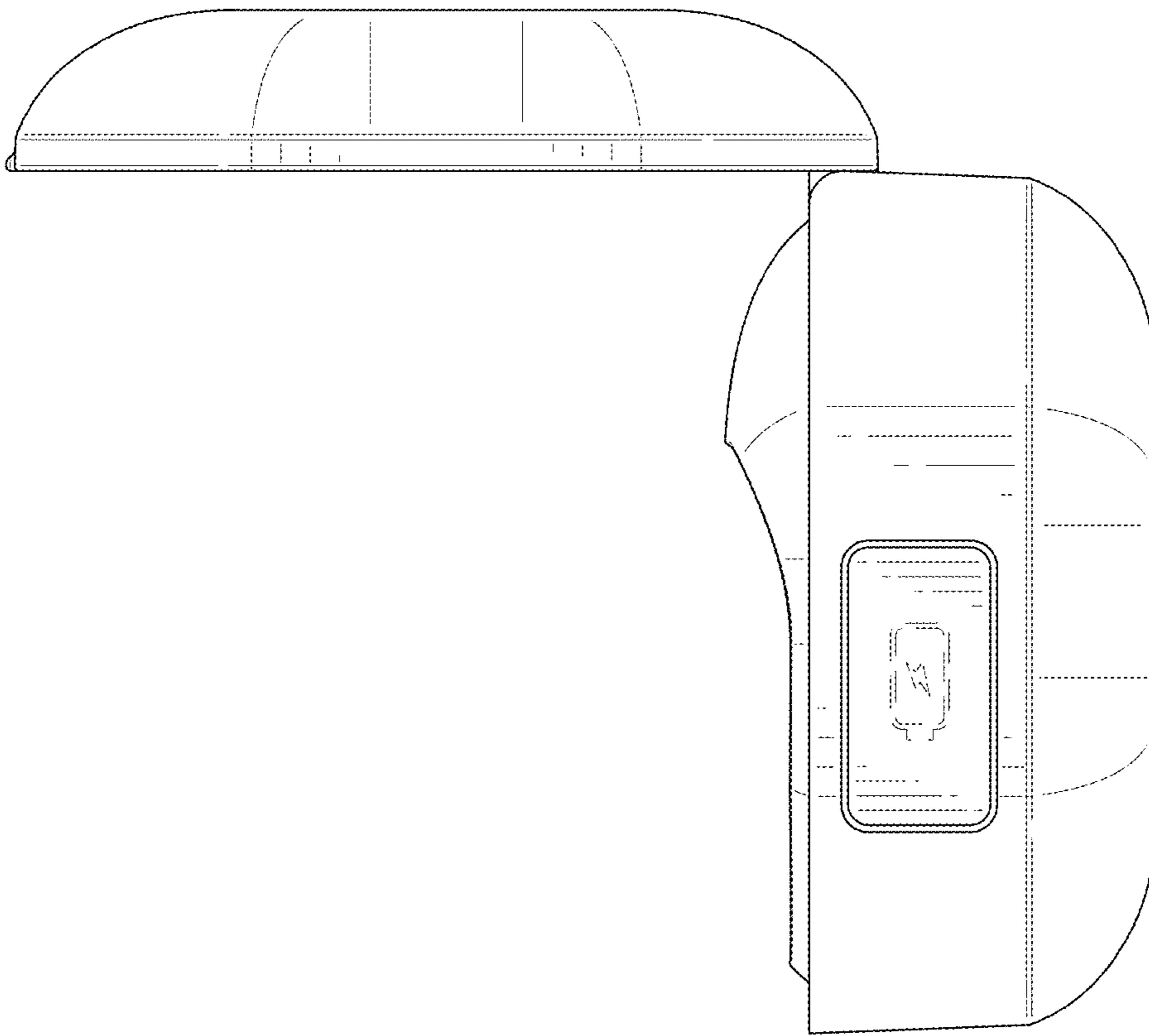


FIG. 6

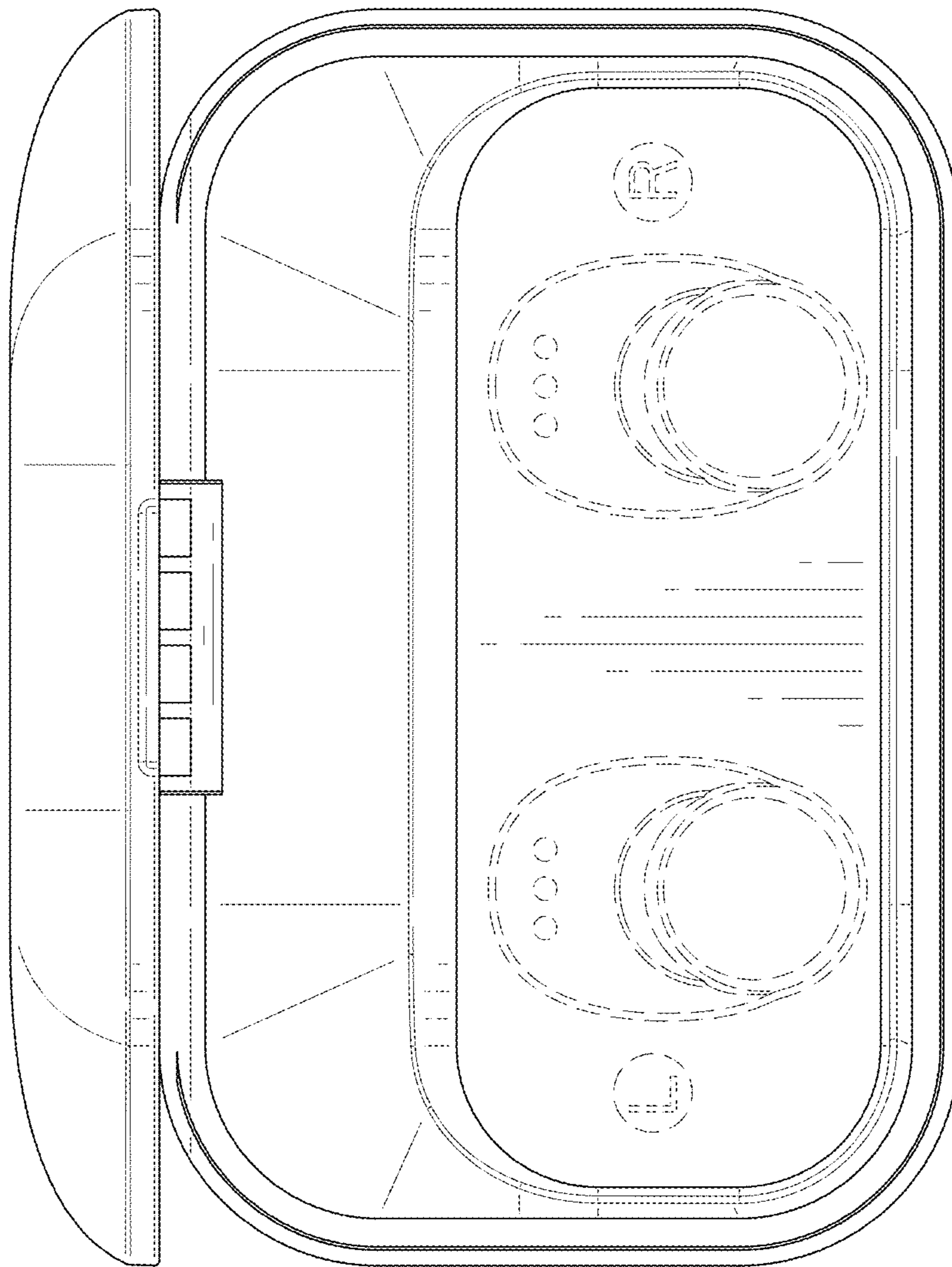


FIG. 7

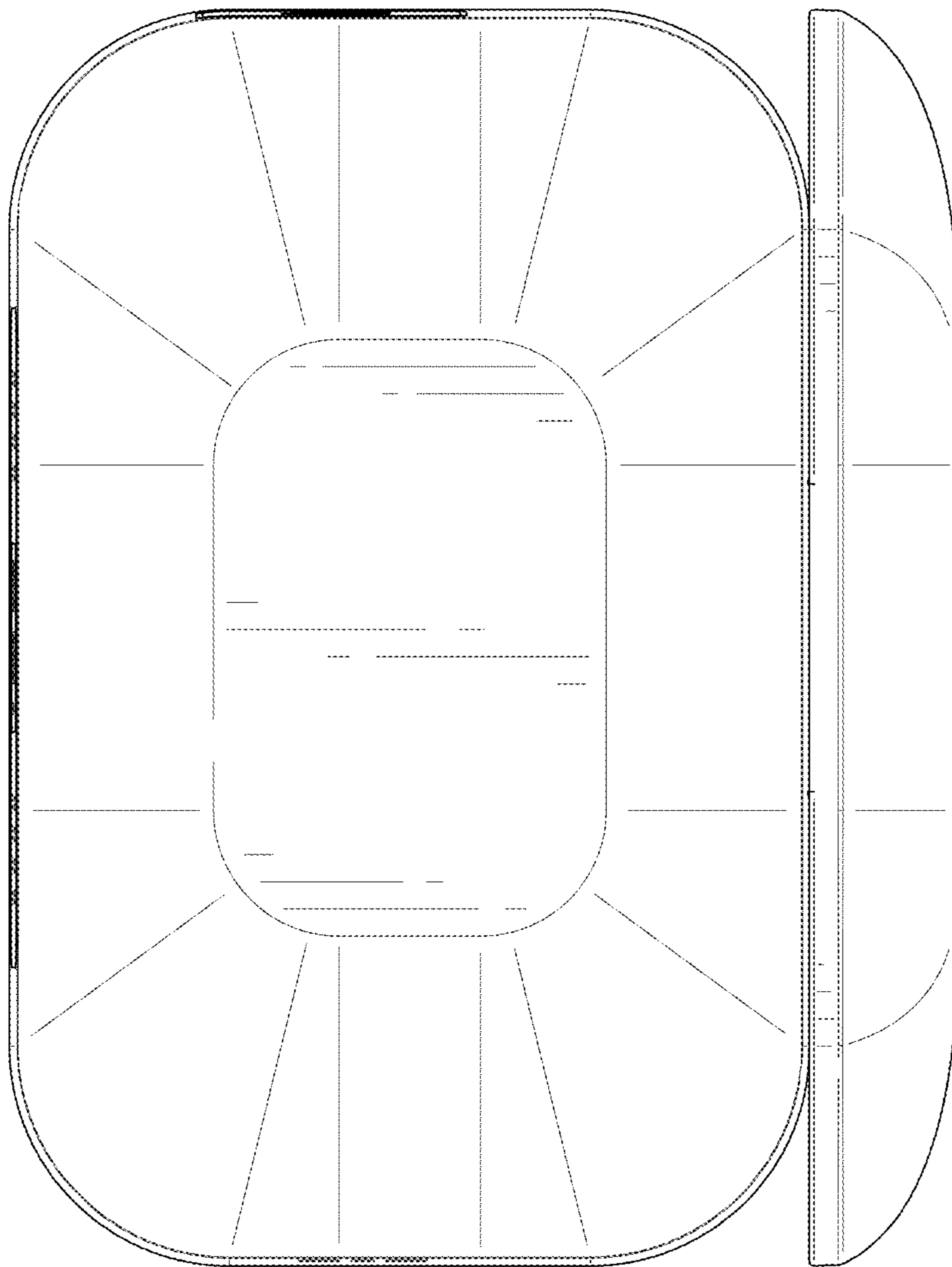


FIG. 8

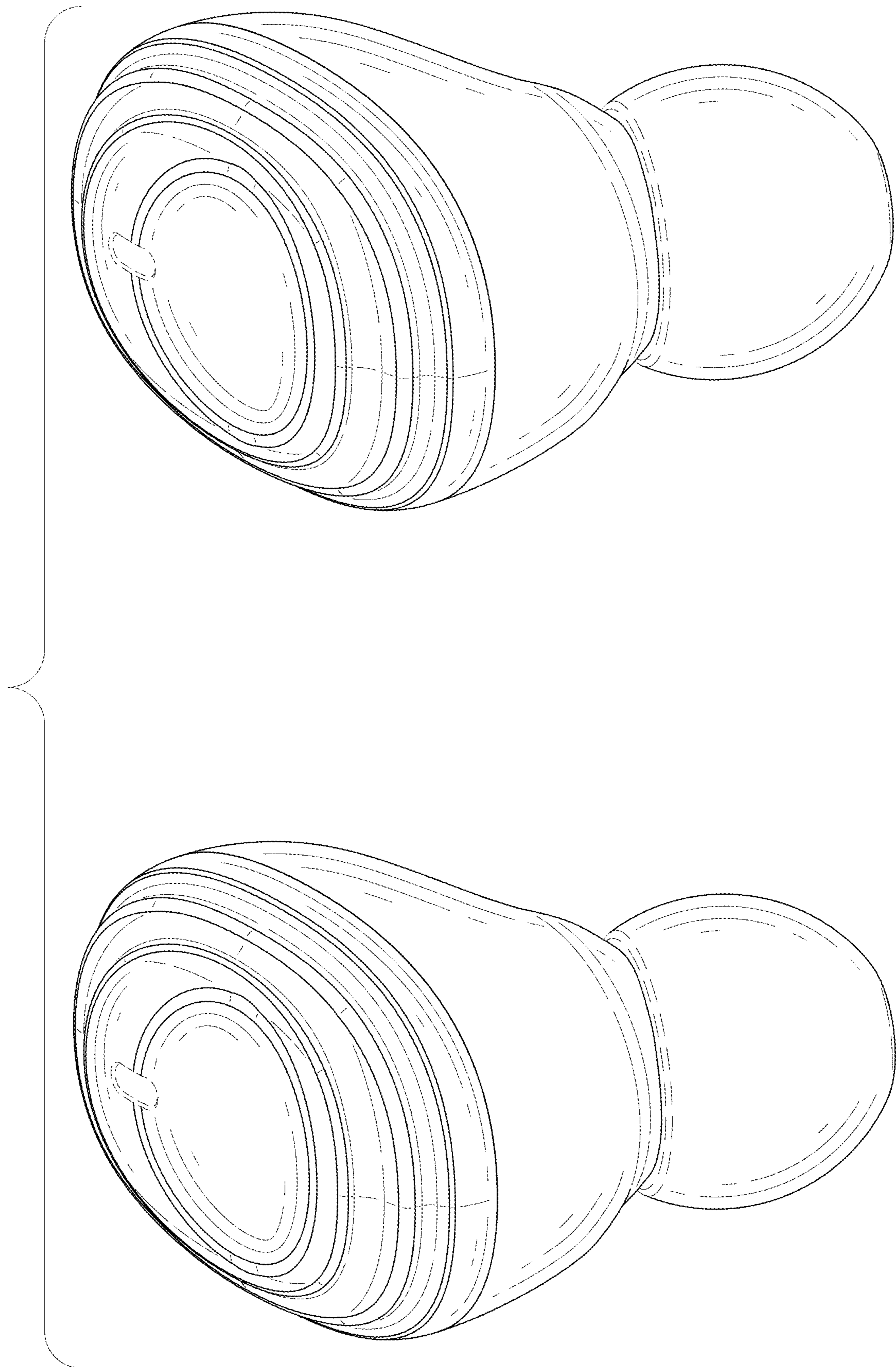


FIG. 9

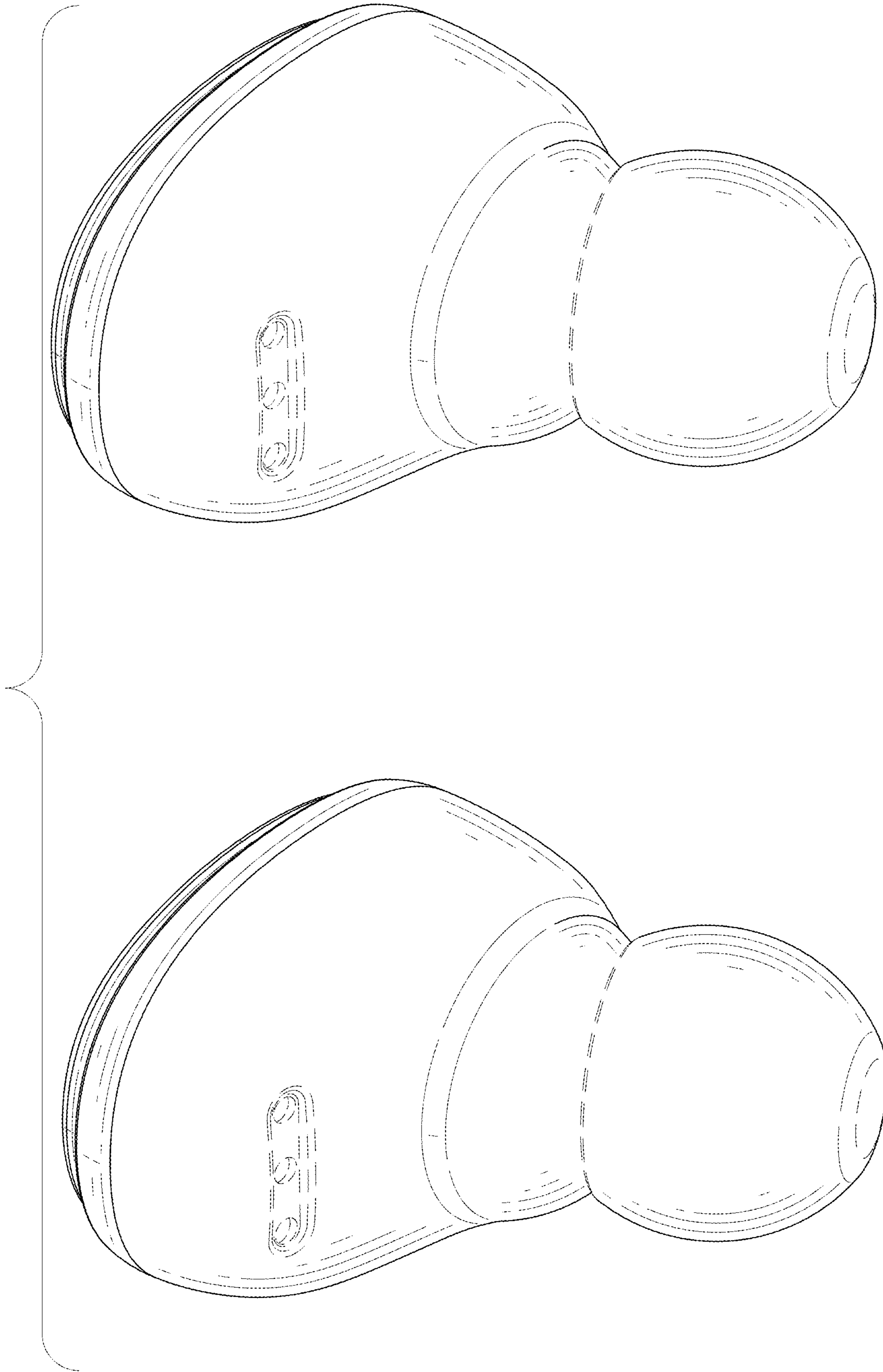


FIG. 10

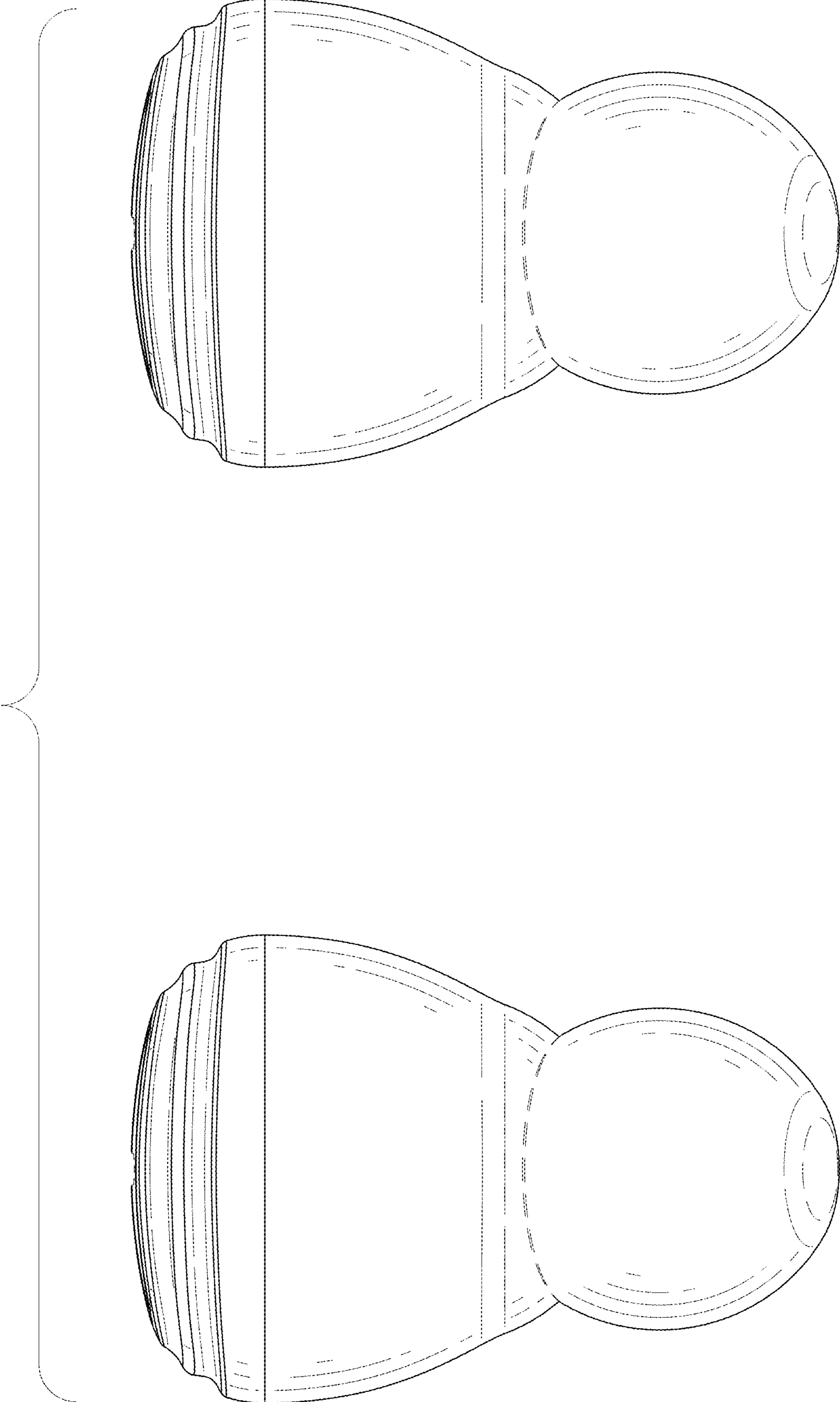


FIG. 11

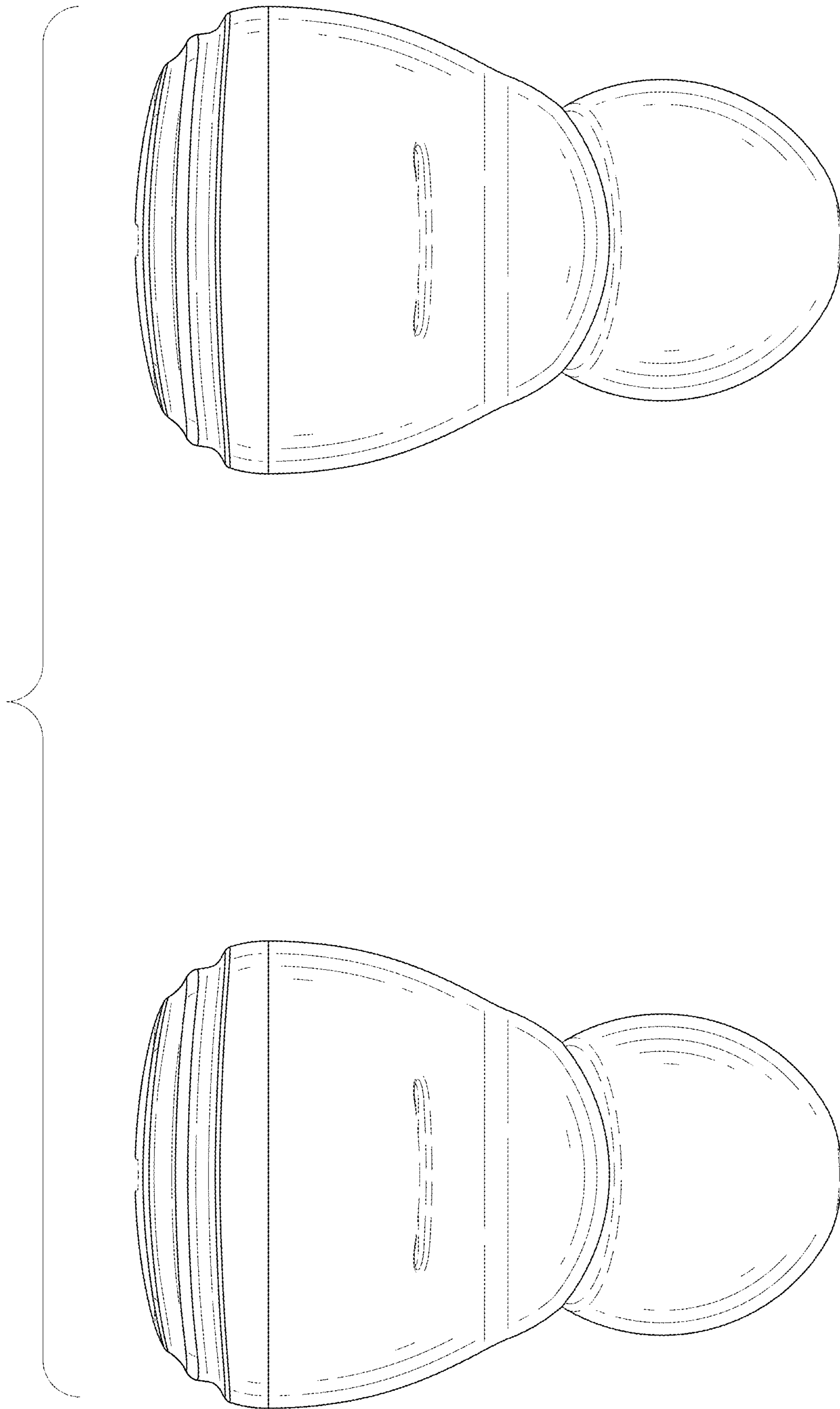


FIG. 12

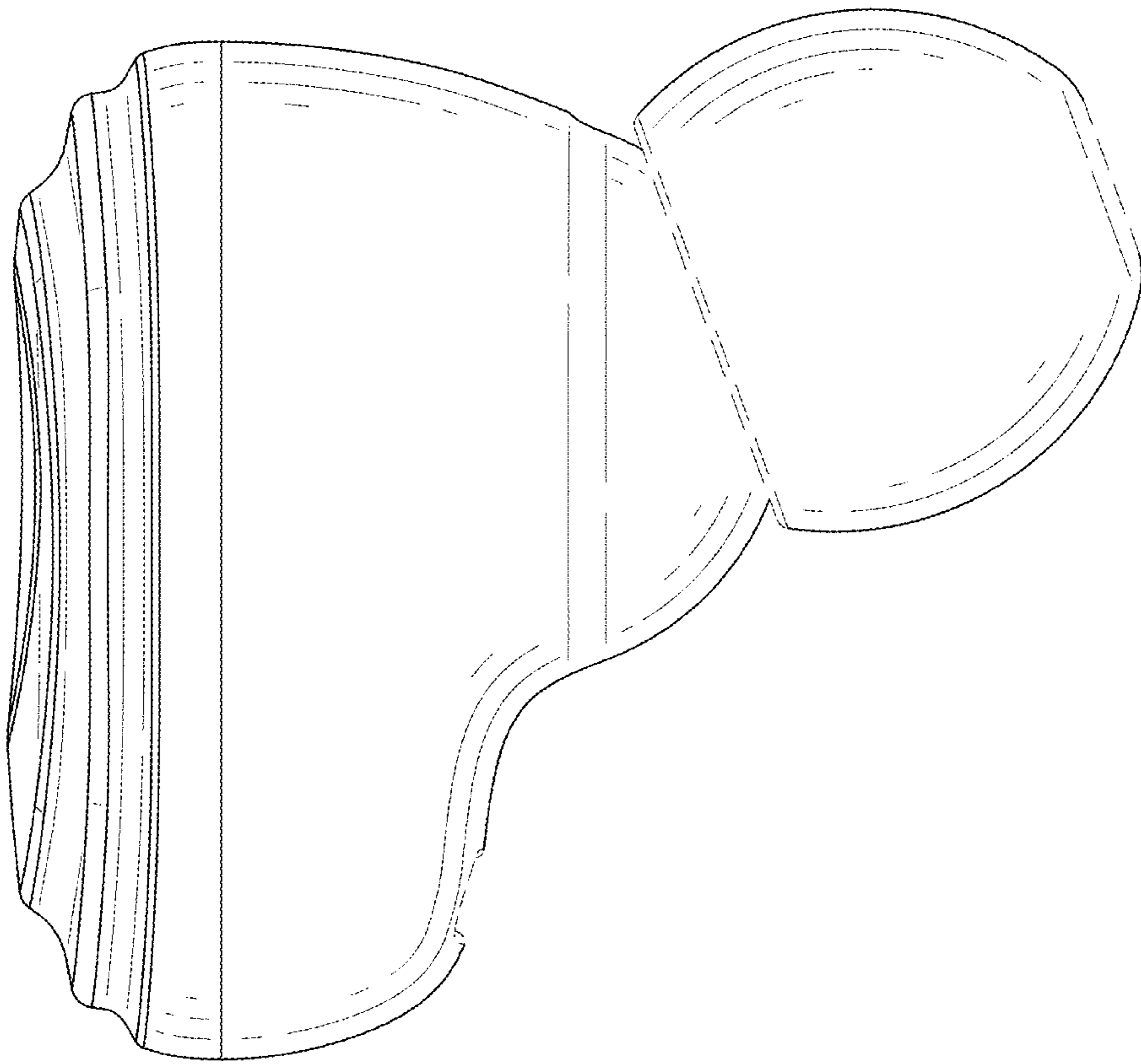


FIG. 13

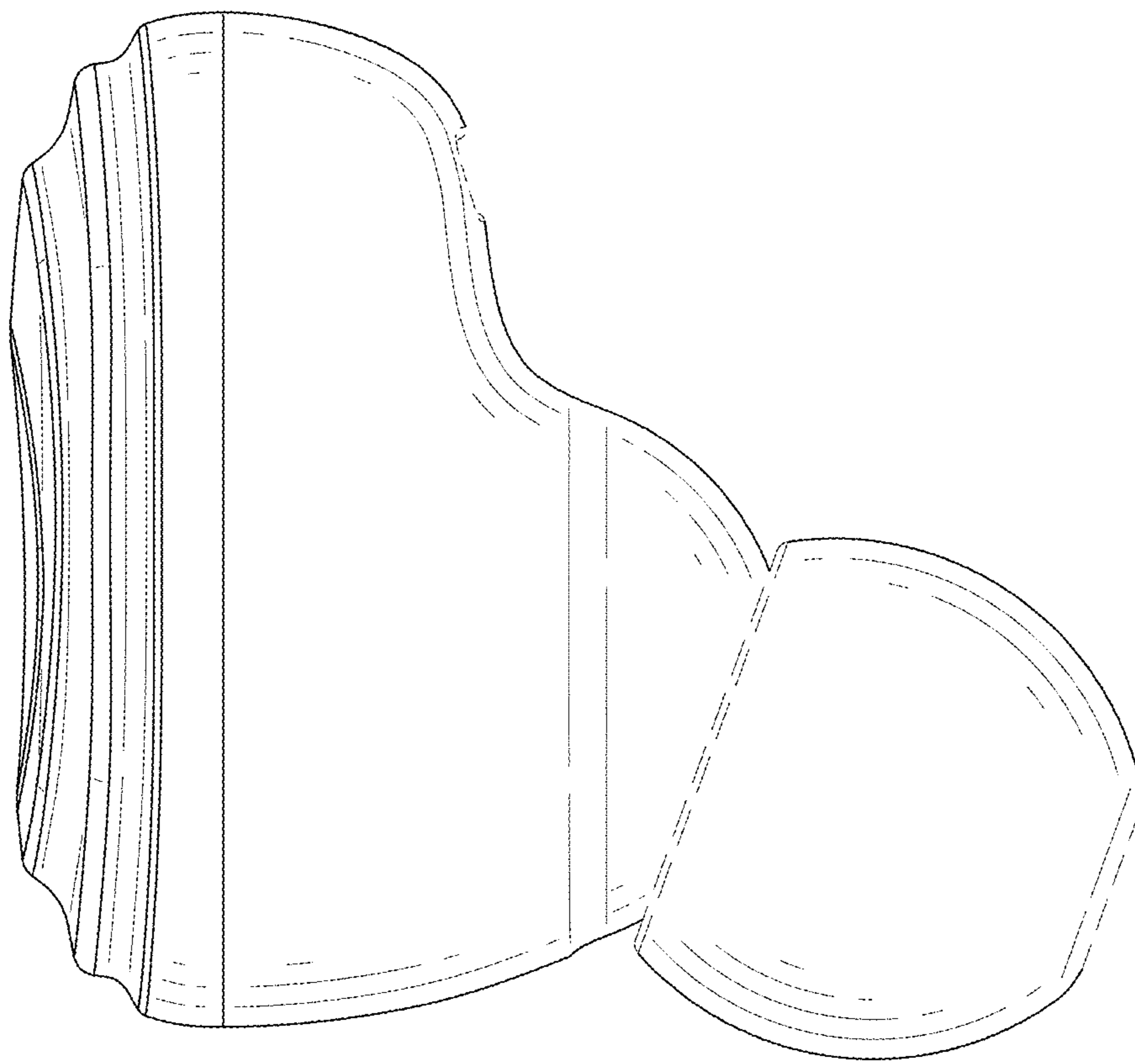


FIG. 14

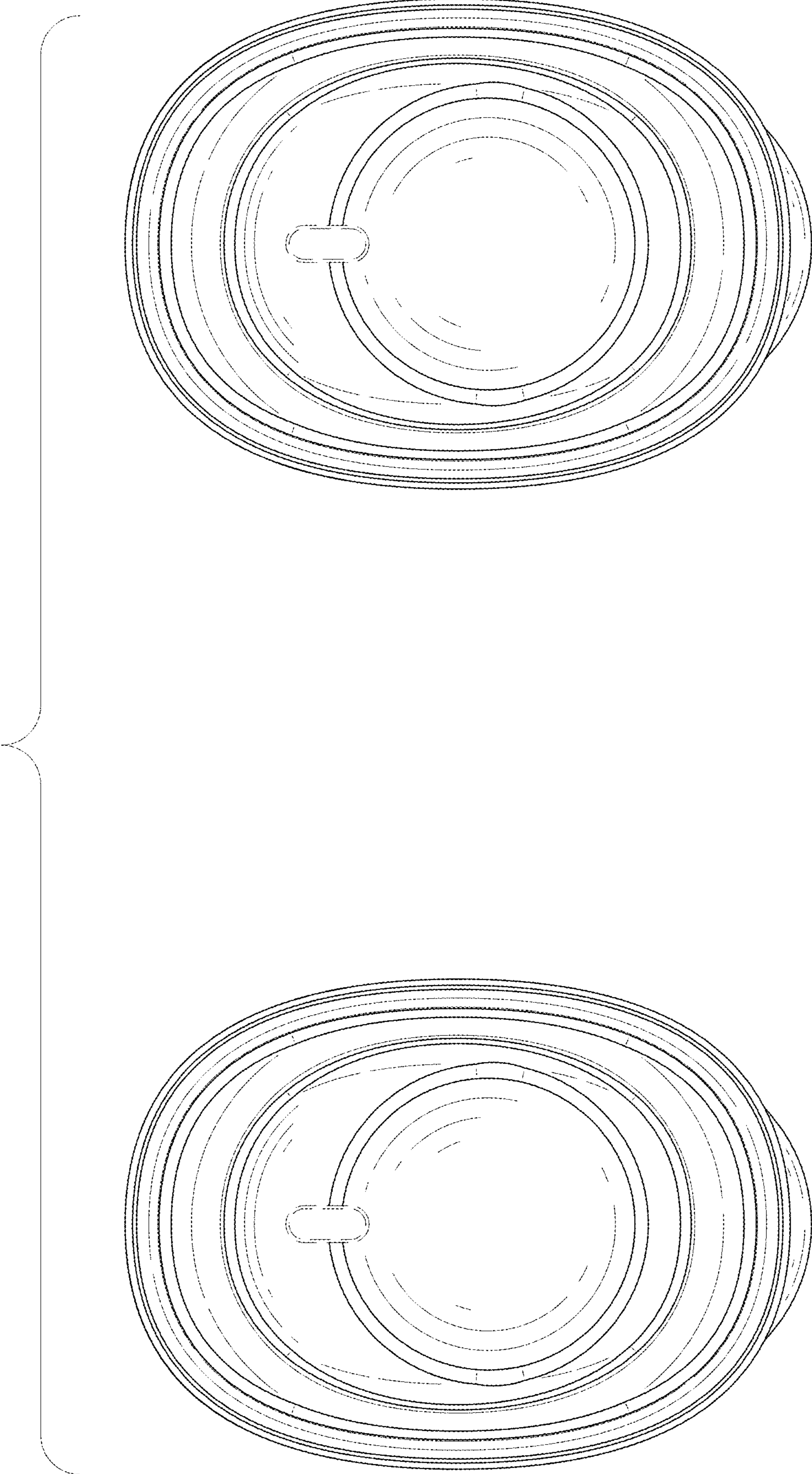


FIG. 15

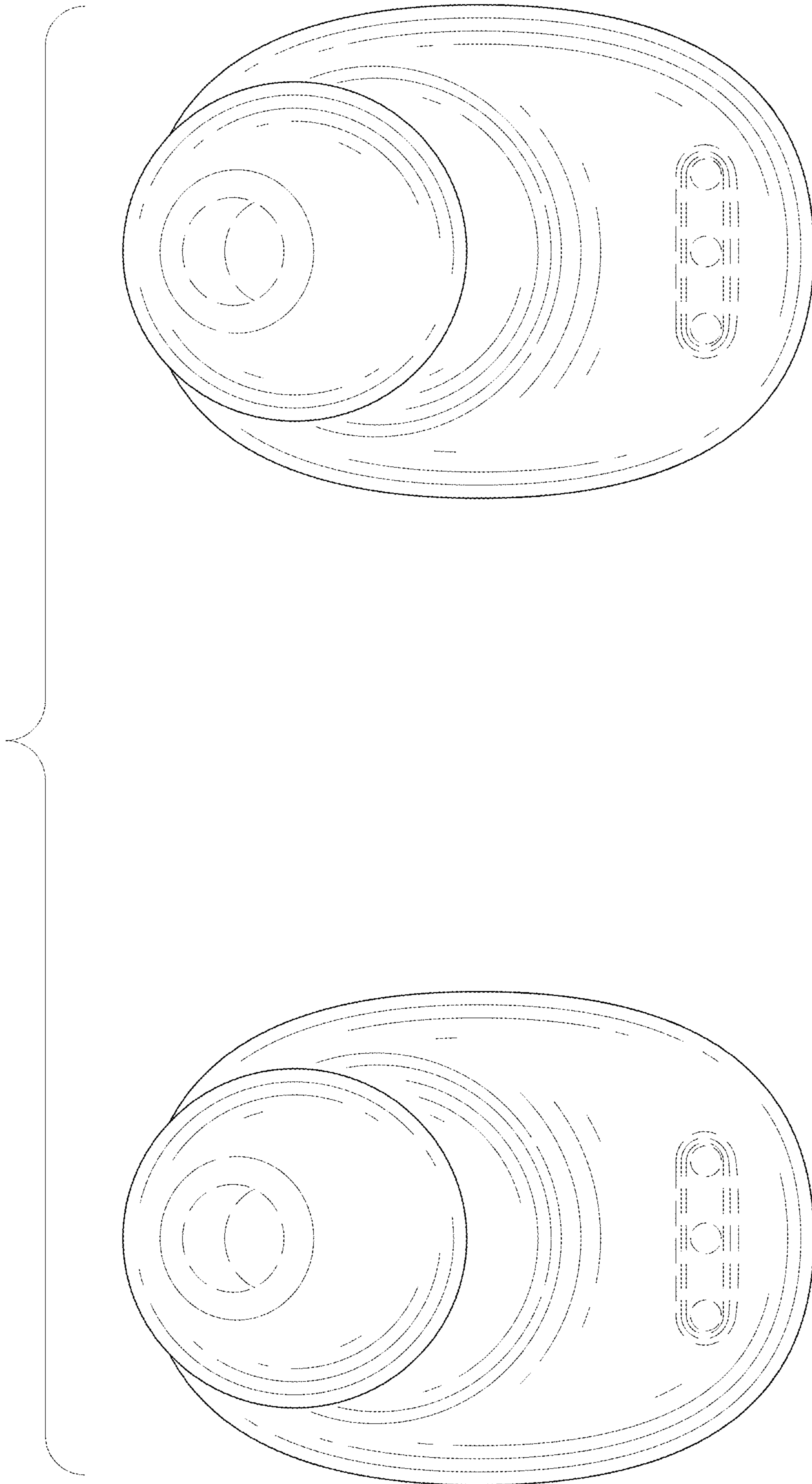


FIG. 16

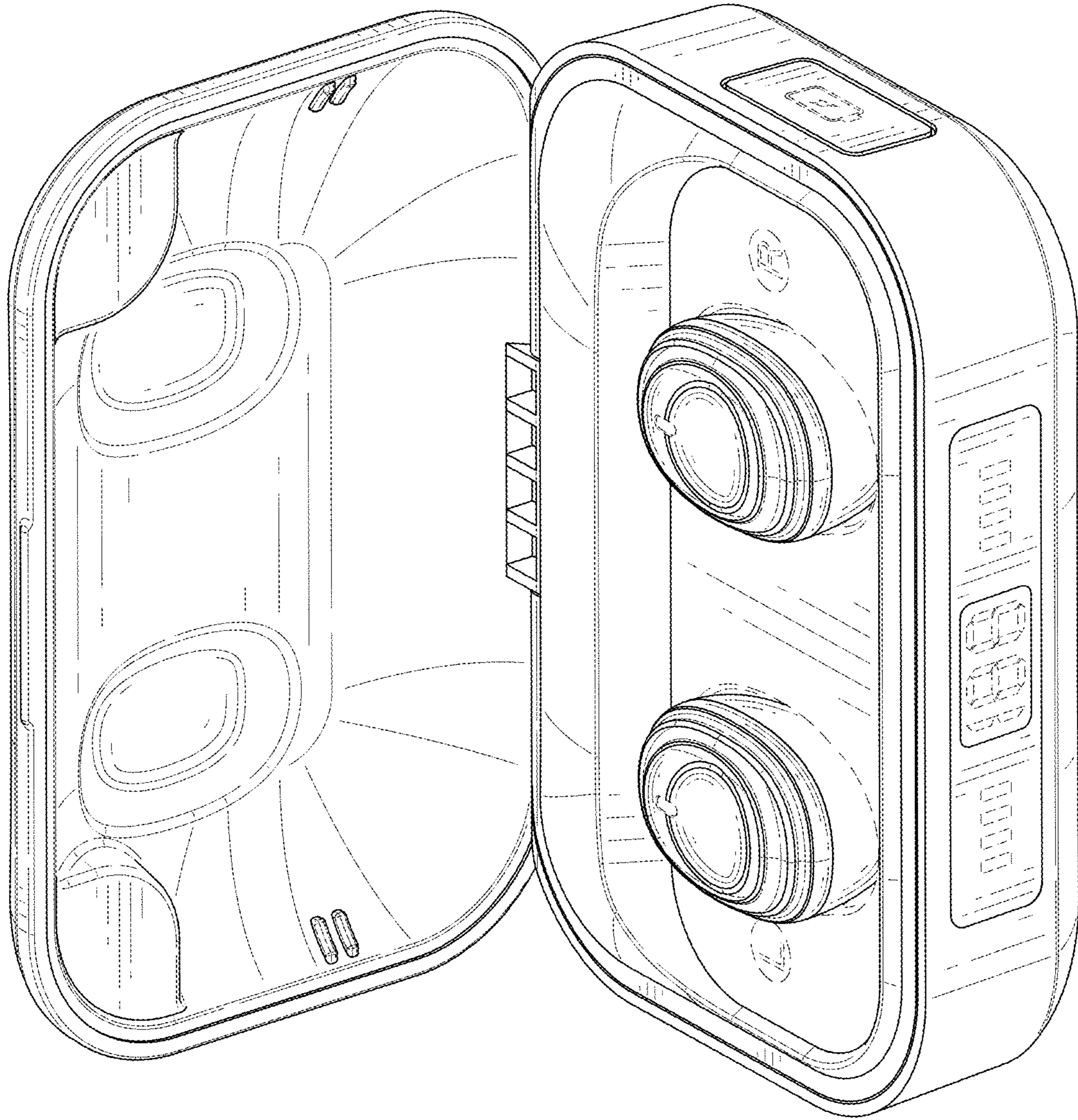


FIG. 17

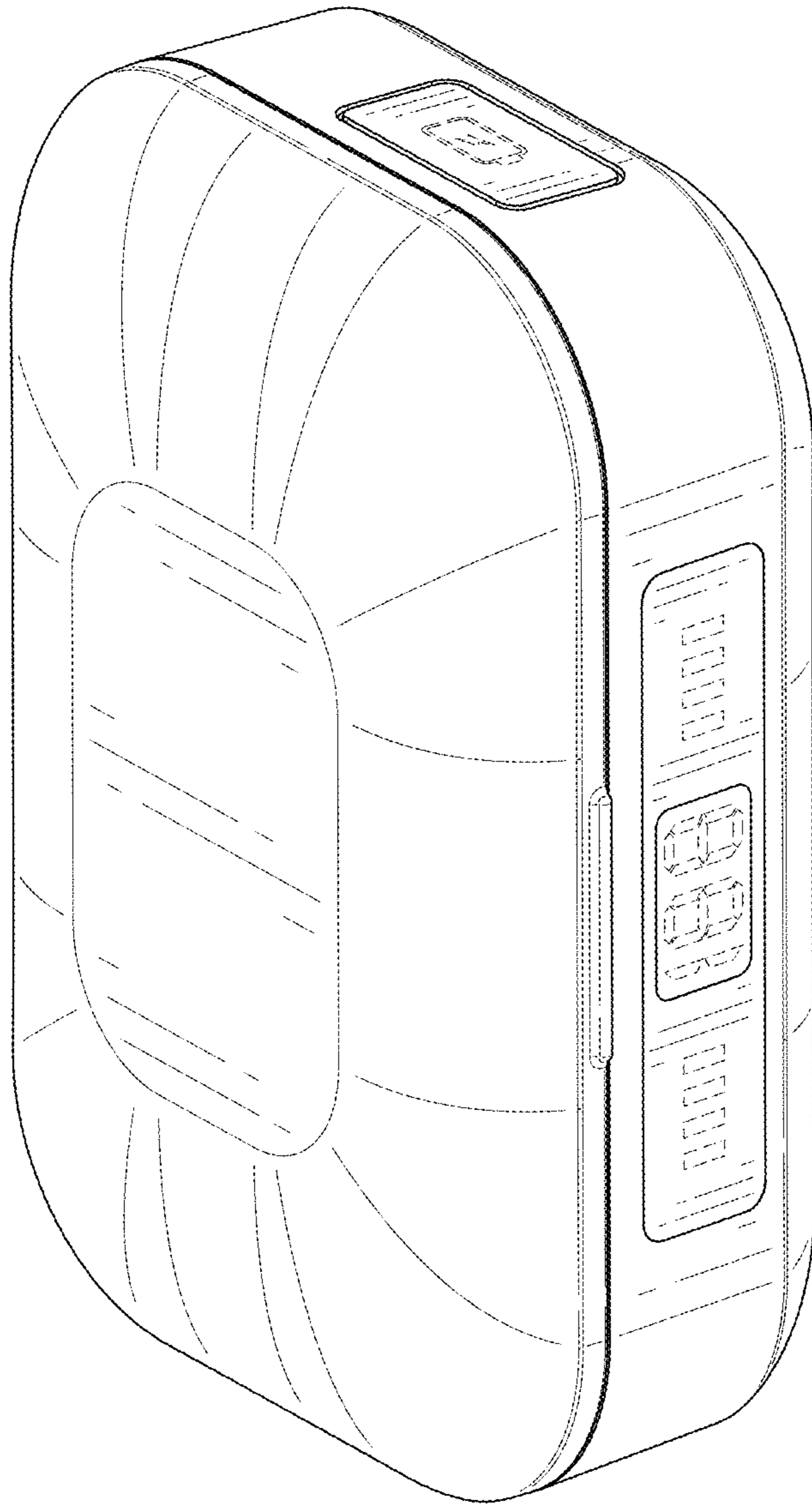


FIG. 18