



US00D894122S

(12) **United States Design Patent**  
**Ye**

(10) **Patent No.:** **US D894,122 S**

(45) **Date of Patent:** **\*\* Aug. 25, 2020**

(54) **WIRELESS CHARGER**

(71) Applicant: **Shenzhen Cheng Hui Da Electronics Co., Ltd.**, Shenzhen (CN)

(72) Inventor: **Jianzhong Ye**, Shenzhen (CN)

(73) Assignee: **SHENZHEN CHENG HUI DA ELECTRONICS CO., LTD.**, Shenzhen (CN)

(\*\*) Term: **15 Years**

(21) Appl. No.: **29/664,505**

(22) Filed: **Sep. 26, 2018**

(30) **Foreign Application Priority Data**

Mar. 27, 2018 (CN) ..... 2018 3 0117088

(51) **LOC (12) Cl.** ..... **13-02**

(52) **U.S. Cl.**  
USPC ..... **D13/108**

(58) **Field of Classification Search**

USPC ..... D13/107-110, 118-119, 184; D14/251, D14/253, 432, 434

CPC ..... Y02E 60/12; Y02T 90/14; Y02T 90/122; Y02T 90/128; Y02T 90/163; H02J 7/025; H02J 7/0042; H02J 7/0044; H02J 7/0045; H02J 7/0013; H02J 7/0003; H01F 38/14; H01R 13/6675; H01M 2/1022; H01M 2/1055; H01M 10/44; H01M 10/46; H01M 10/425; B60L 11/182

See application file for complete search history.

(56) **References Cited**

**U.S. PATENT DOCUMENTS**

D621,603 S \* 8/2010 Traylor ..... D3/203.2  
D686,513 S \* 7/2013 Henriksson ..... D9/504

D718,236 S \* 11/2014 Murray ..... D13/108  
D726,161 S \* 4/2015 Howard ..... D14/218  
D743,954 S \* 11/2015 Chuang ..... D13/168  
D756,790 S \* 5/2016 Henriksson ..... D9/504  
D756,956 S \* 5/2016 Van Den Nieuwenhuizen .....  
D14/204  
D757,014 S \* 5/2016 Hahn ..... D13/108  
D784,259 S \* 4/2017 Huang ..... D13/108  
D810,698 S \* 2/2018 Hahn ..... D13/156  
D812,577 S \* 3/2018 Turksu ..... D13/168  
D820,318 S \* 6/2018 Mullins ..... D14/496  
2010/0012534 A1 \* 1/2010 Hoffman ..... B65D 43/0212  
206/265

\* cited by examiner

*Primary Examiner* — Nathaniel D. Buckner

(57) **CLAIM**

The ornamental design for a wireless charger, as shown and described.

**DESCRIPTION**

FIG. 1 is a perspective view of a wireless charger showing my new design;

FIG. 2 is another perspective view thereof;

FIG. 3 is a front elevational view thereof;

FIG. 4 is a rear elevational view thereof;

FIG. 5 is a left side elevational view thereof;

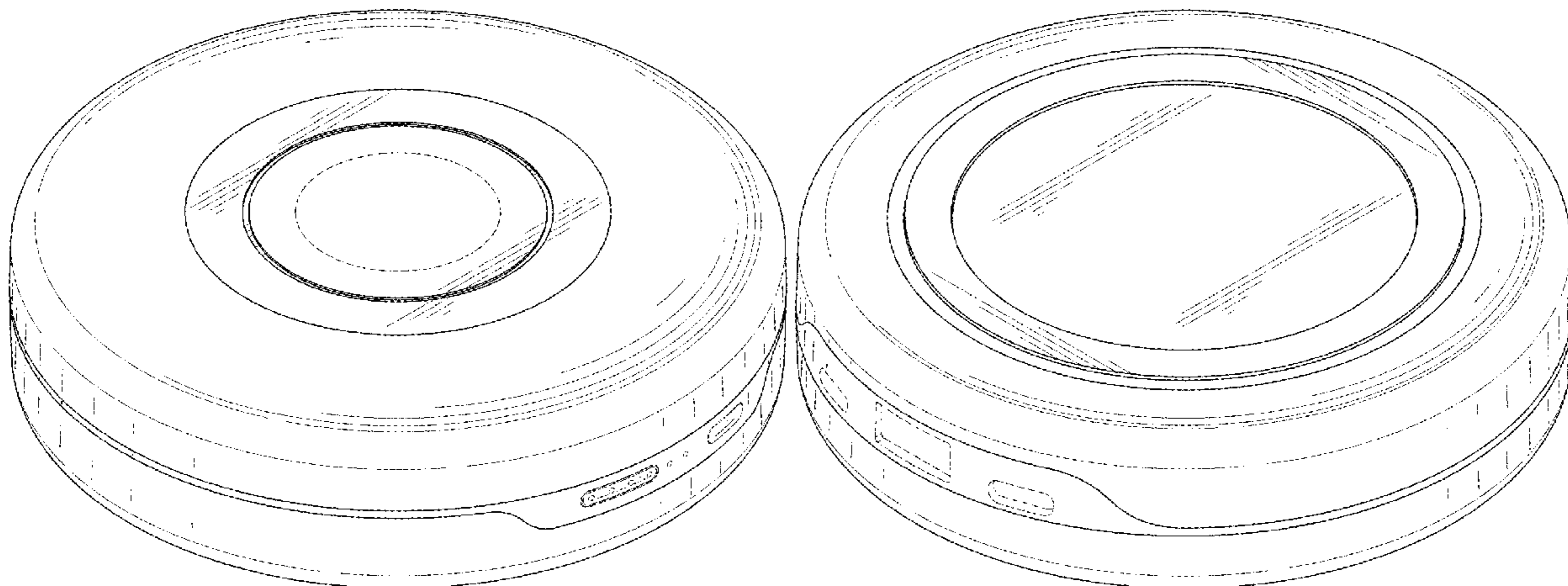
FIG. 6 is a right side elevational view thereof;

FIG. 7 is a top plan view thereof; and,

FIG. 8 is a bottom plan view thereof.

The broken lines in the drawings are for the purpose of illustrating portions of the wireless charger that form no part of the claimed design.

**1 Claim, 8 Drawing Sheets**



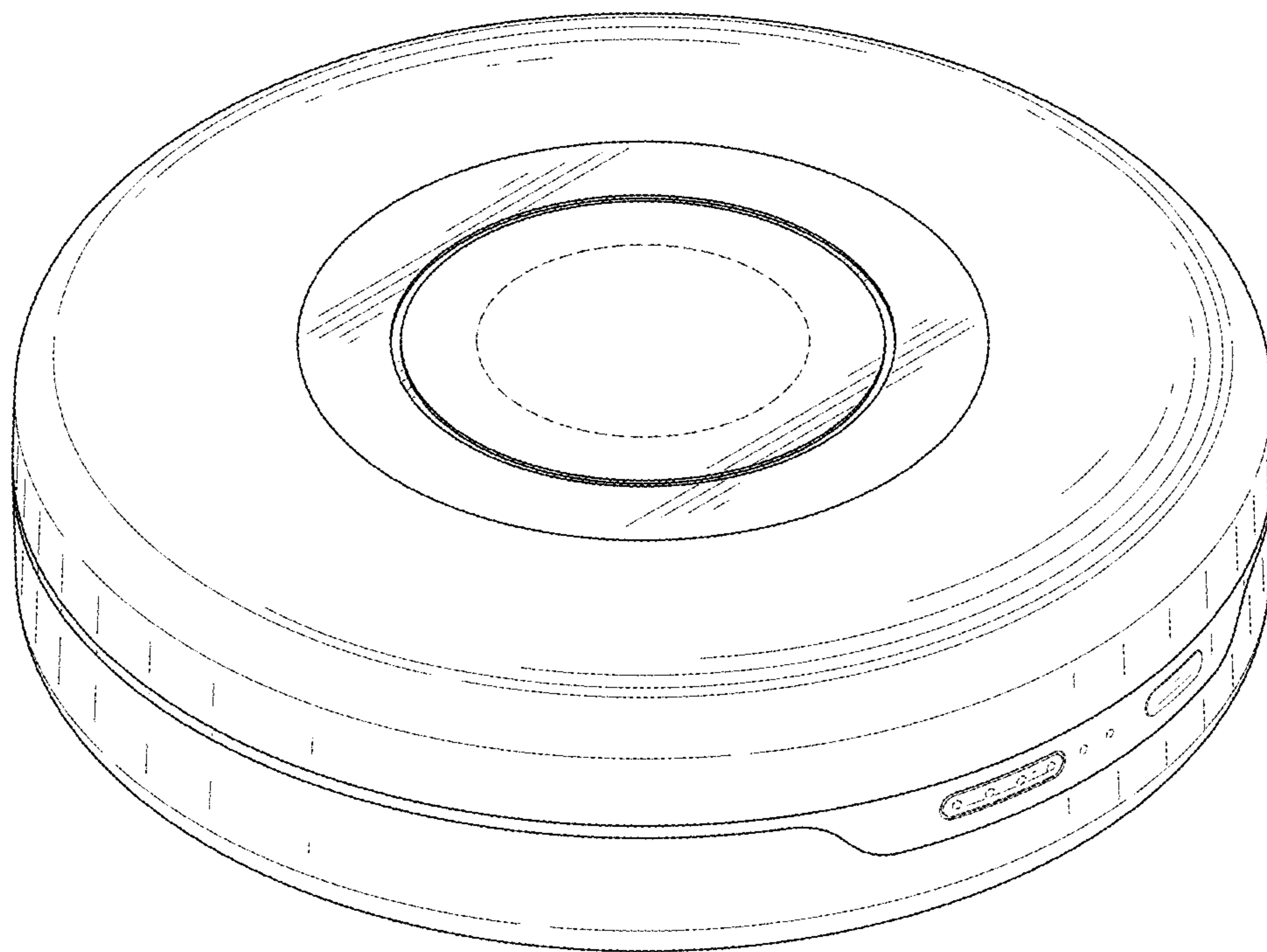


FIG. 1

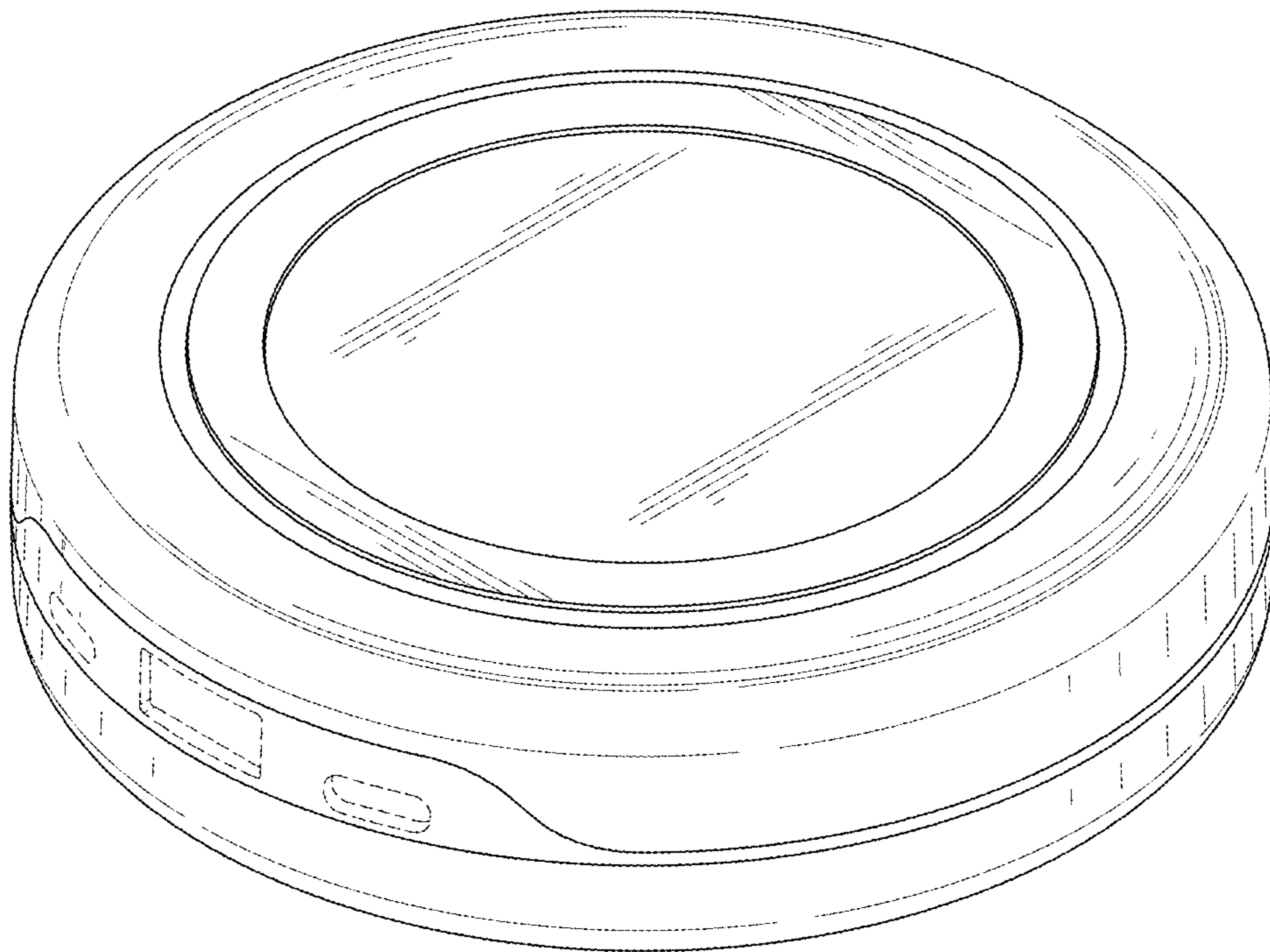


FIG. 2

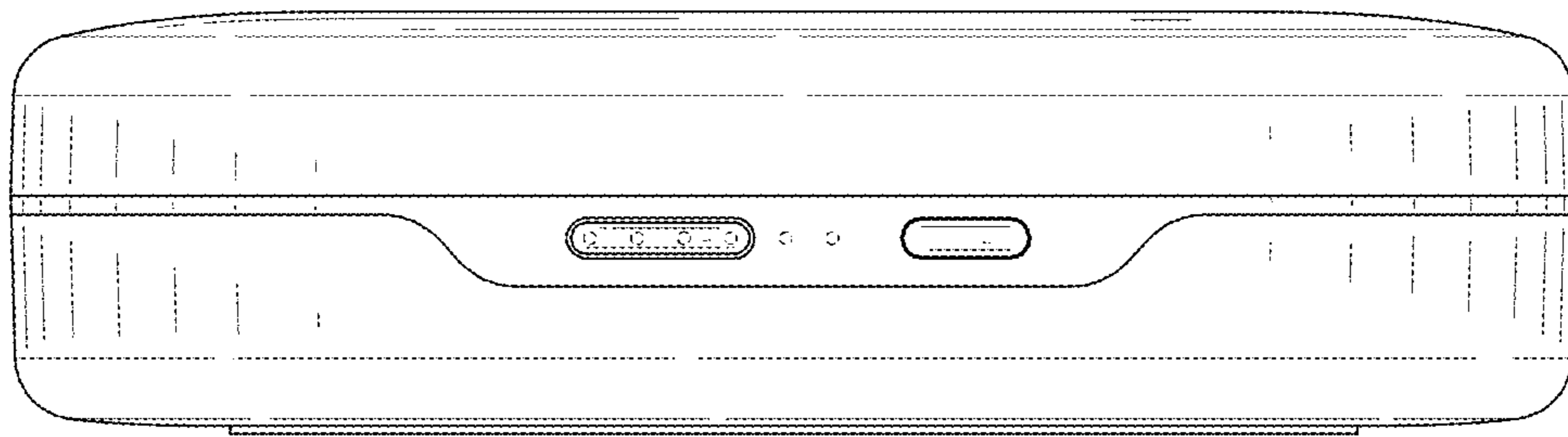


FIG. 3

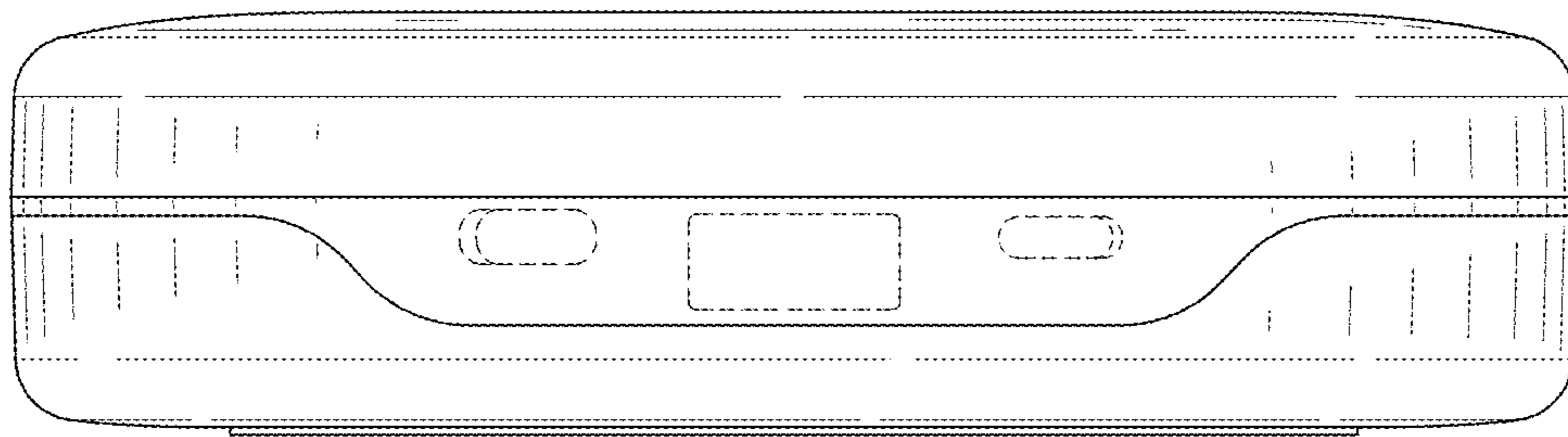


FIG. 4

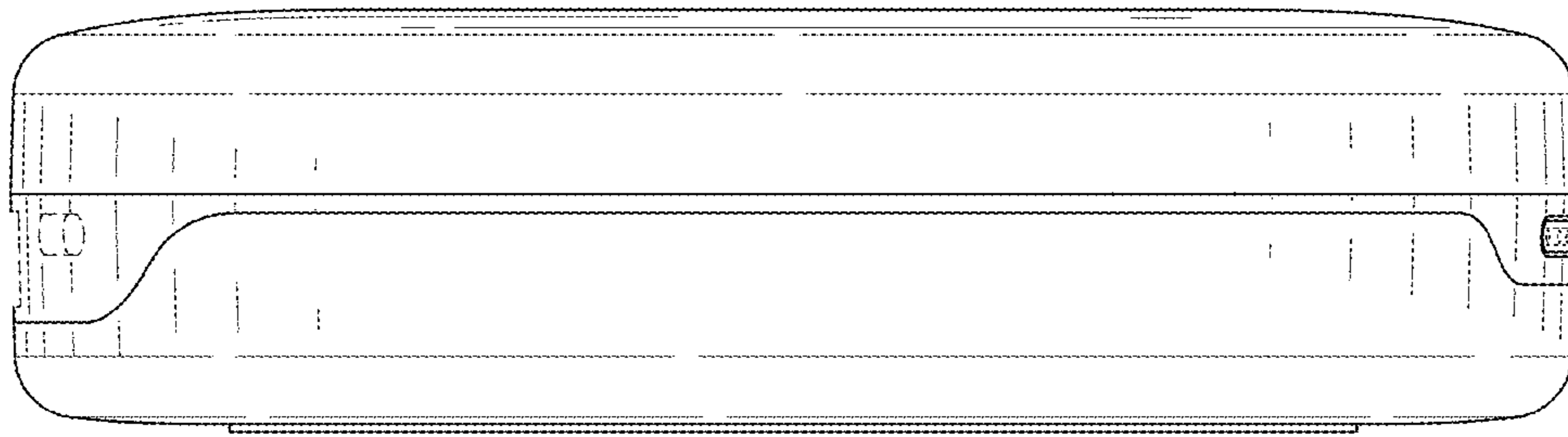


FIG. 5

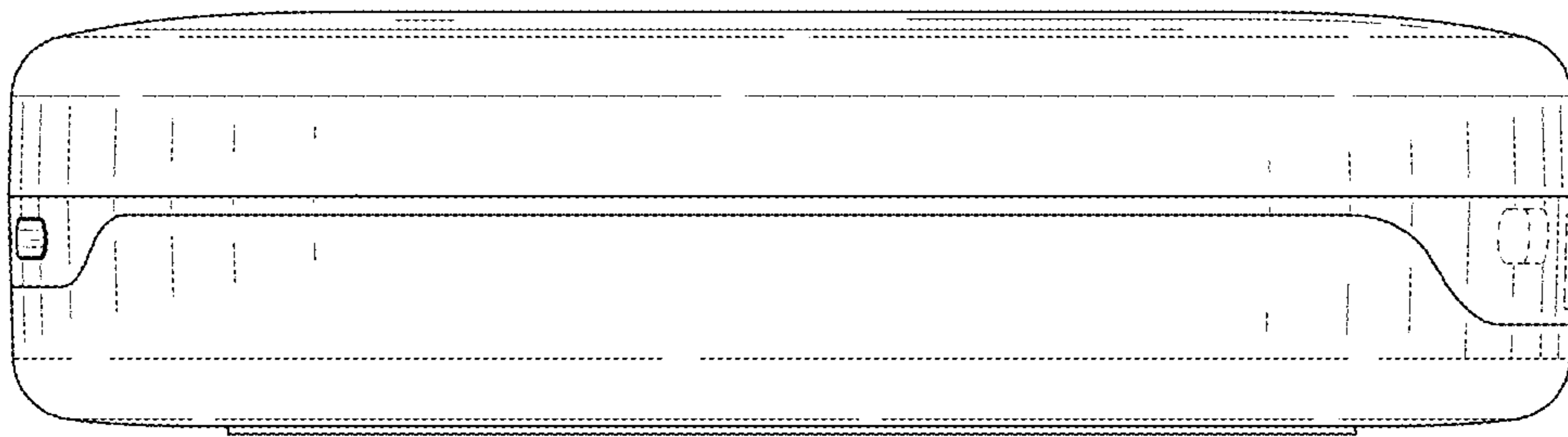


FIG. 6



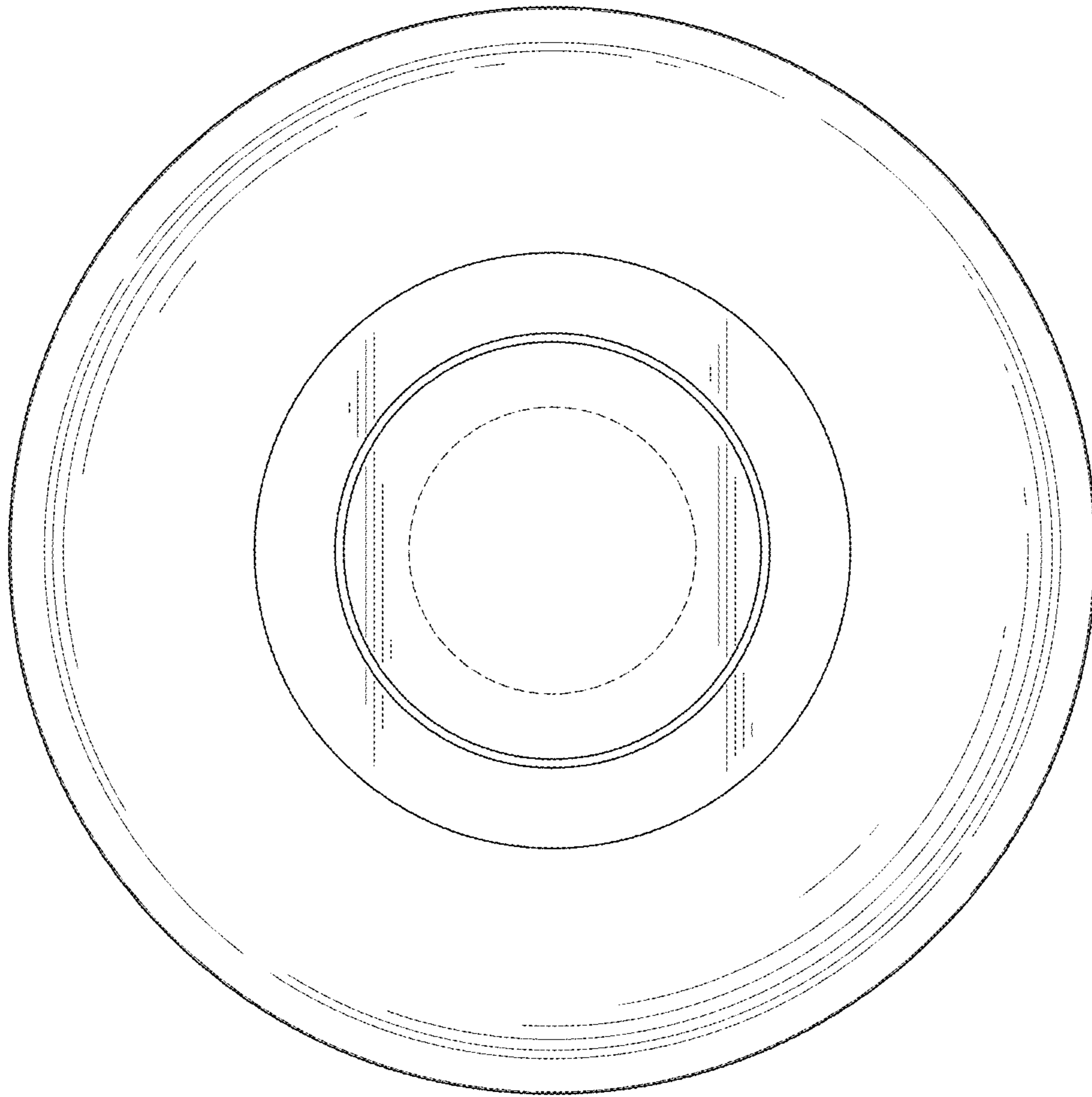


FIG. 7



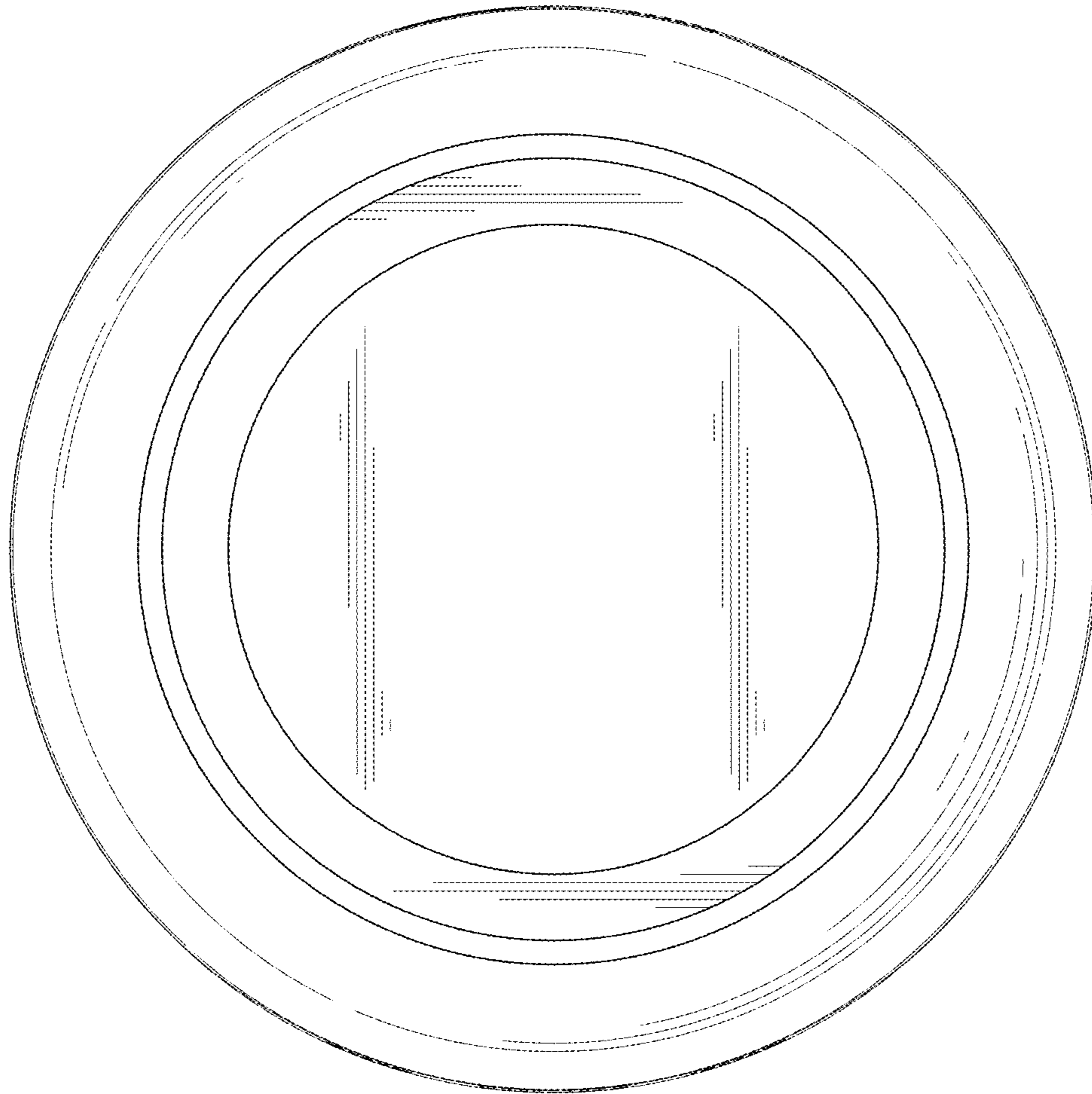


FIG. 8