



US00D894120S

(12) **United States Design Patent**
Timm

(10) **Patent No.:** **US D894,120 S**

(45) **Date of Patent:** **** Aug. 25, 2020**

(54) **BATTERY**

(71) Applicant: **Wurth International AG**, Chur (CH)

(72) Inventor: **Felix Timm**, Dormstadt (DE)

(**) Term: **15 Years**

(21) Appl. No.: **35/507,043**

(22) Filed: **Nov. 21, 2018**

(80) **Hague Agreement Data**

Int. Filing Date: **Nov. 21, 2018**

Int. Reg. No.: **DM/201764**

Int. Reg. Date: **Nov. 21, 2018**

Int. Reg. Pub. Date: **Jul. 5, 2019**

(51) **LOC (12) Cl.** **13-02**

(52) **U.S. Cl.**
USPC **D13/103**

(58) **Field of Classification Search**
USPC D13/103, 133, 107, 108
CPC H02J 7/00041; H01M 2/1022; H01M
2/1066; H01M 10/613
See application file for complete search history.

(56) **References Cited**

U.S. PATENT DOCUMENTS

8,741,474 B2 * 6/2014 Melnyk H01M 2/1022
429/163
9,728,822 B2 * 8/2017 Taga H01M 10/613

9,966,772 B2 * 5/2018 Uesugi H02J 7/00041
D849,681 S * 5/2019 Howell D13/103
D855,019 S * 7/2019 Rustill D13/108
D856,921 S * 8/2019 Lee D13/103
D868,685 S * 12/2019 Niedzwecki D13/103
D870,656 S * 12/2019 Waldron D13/107
D871,321 S * 12/2019 Chung D13/103
D872,686 S * 1/2020 E D13/103
D875,666 S * 2/2020 Mizrahi D13/103
D876,339 S * 2/2020 Xu D13/103
D876,340 S * 2/2020 Song D13/103
D876,361 S * 2/2020 Hu D13/133
D878,289 S * 3/2020 Supron D13/103
2013/0127403 A1 * 5/2013 Chen H01M 2/1066
320/107

* cited by examiner

Primary Examiner — Rhea Shields

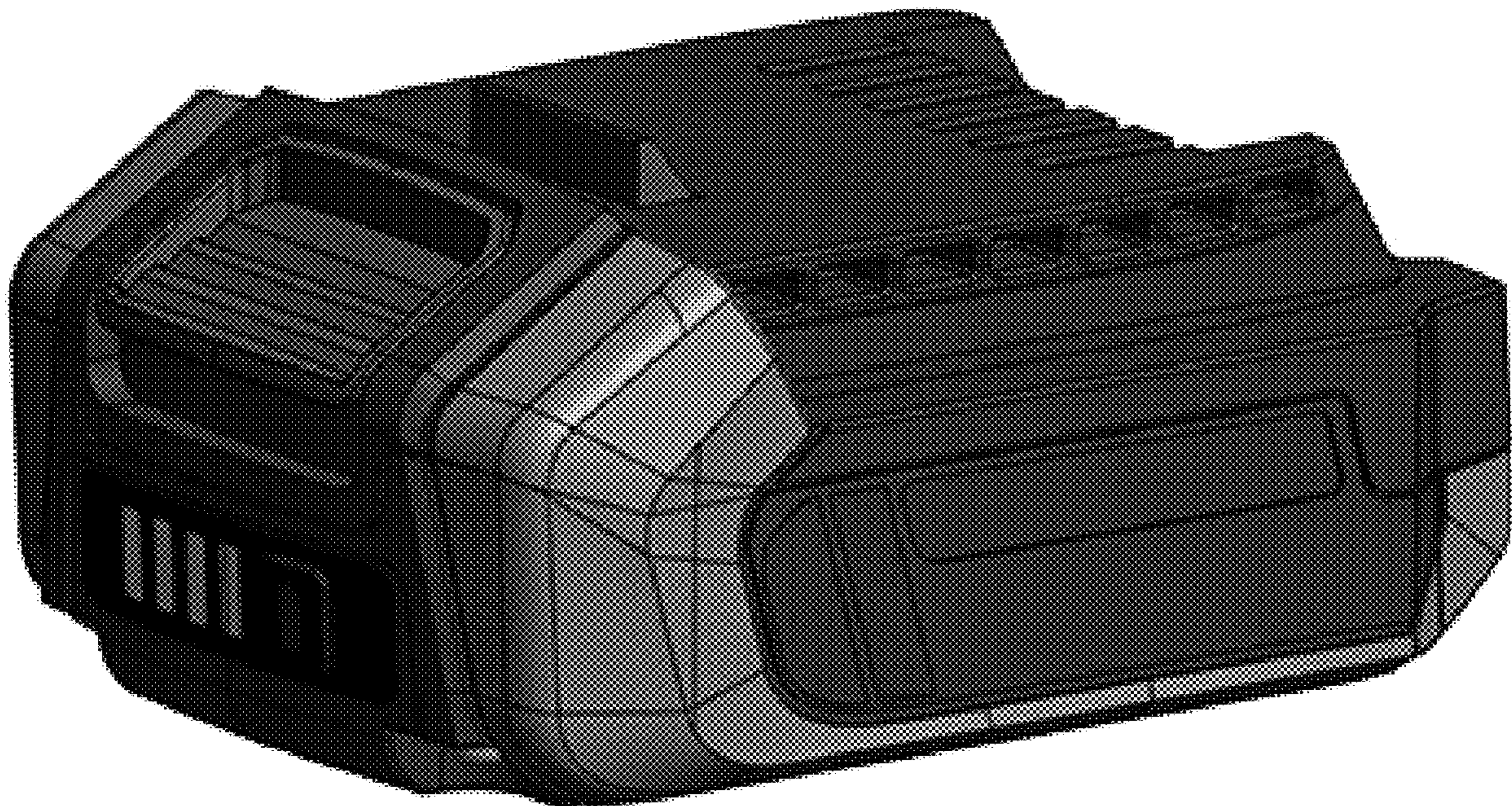
(57) **CLAIM**

The ornamental design for a battery, as shown.

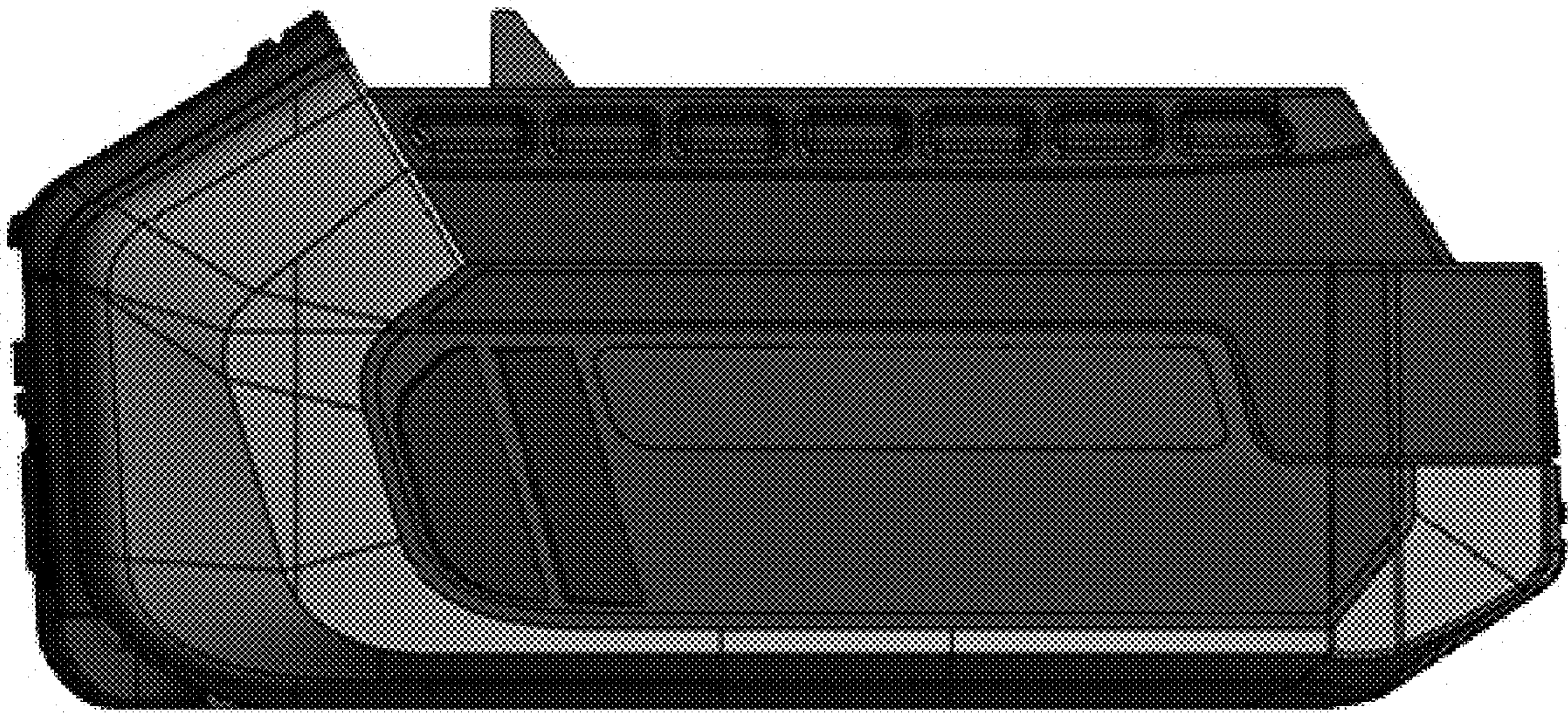
DESCRIPTION

- 1.1 is a front, right side perspective view;
- 1.2 is a rear view;
- 1.3 is a front view;
- 1.4 is a bottom view;
- 1.5 is a right side view;
- 1.6 is a left side view;
- 1.7 is a top view.

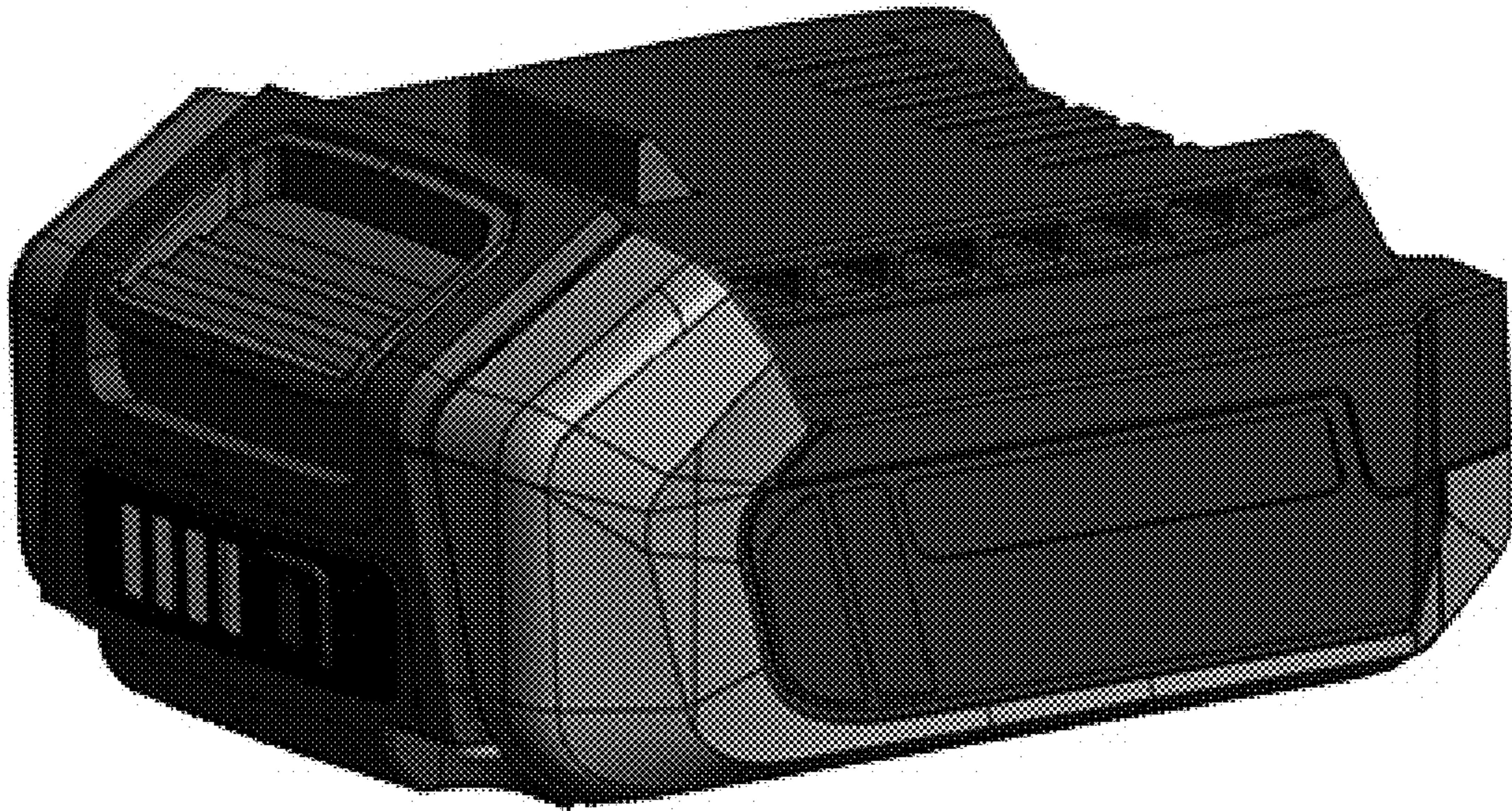
1 Claim, 7 Drawing Sheets



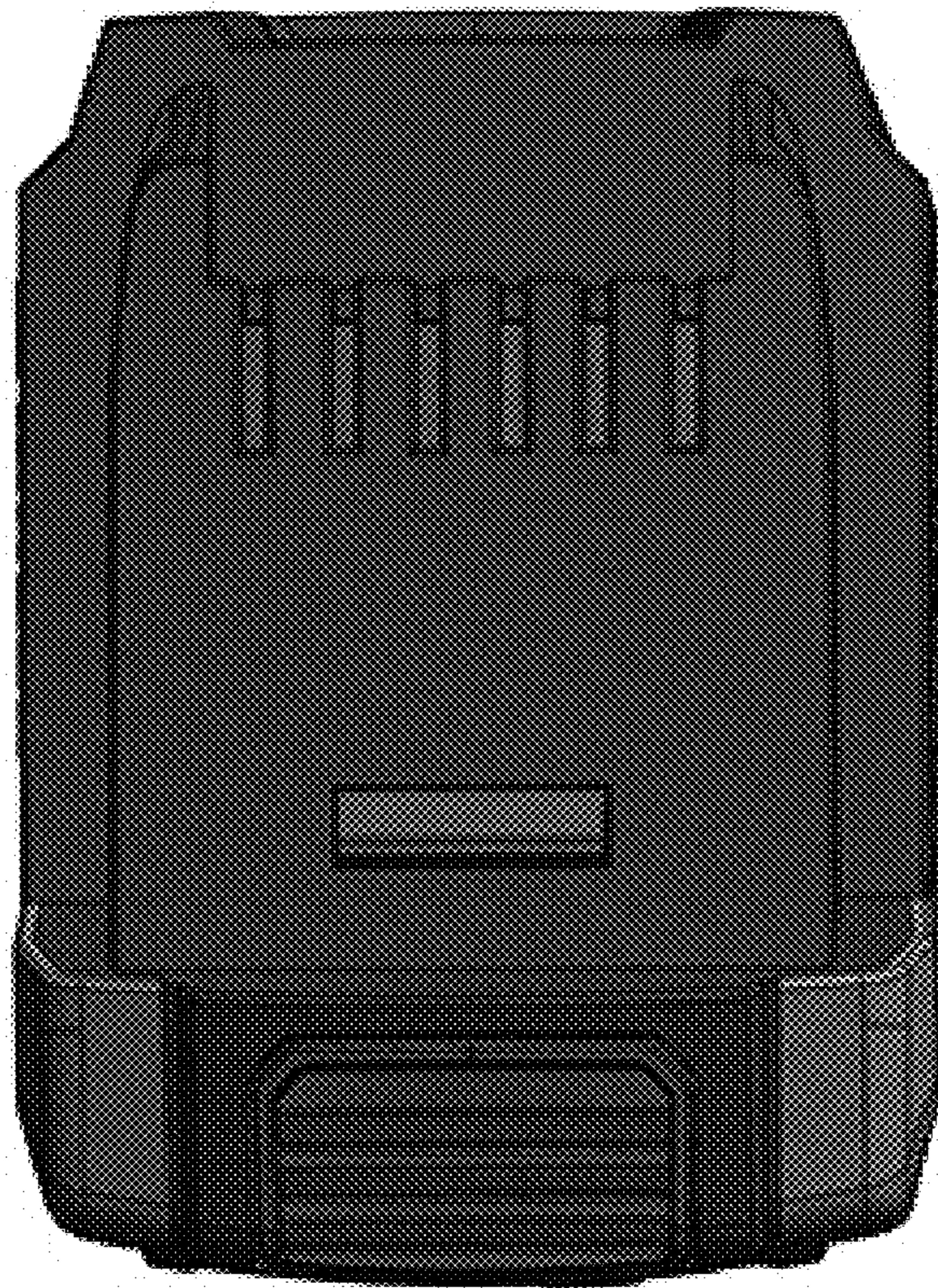
1.1



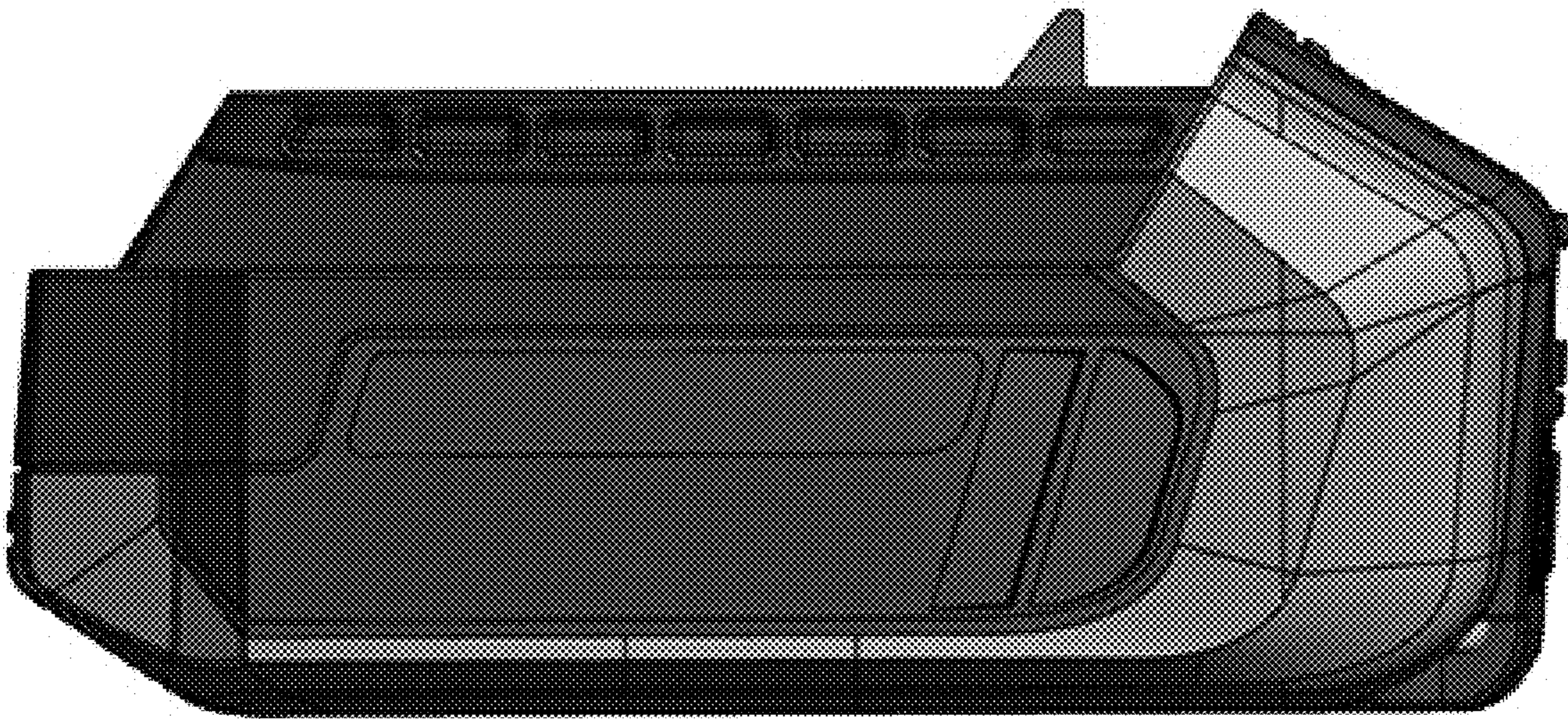
1.2



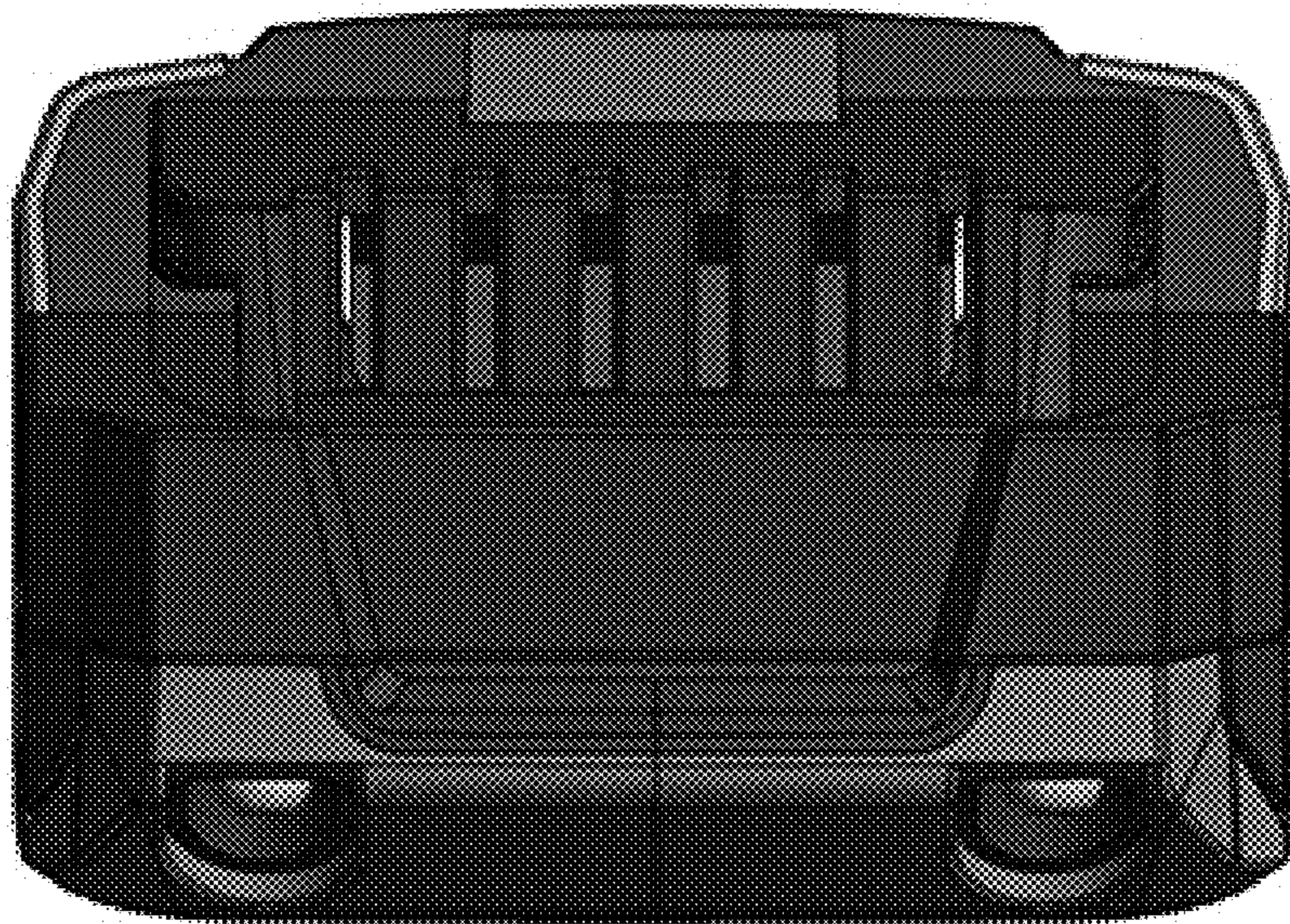
1.3



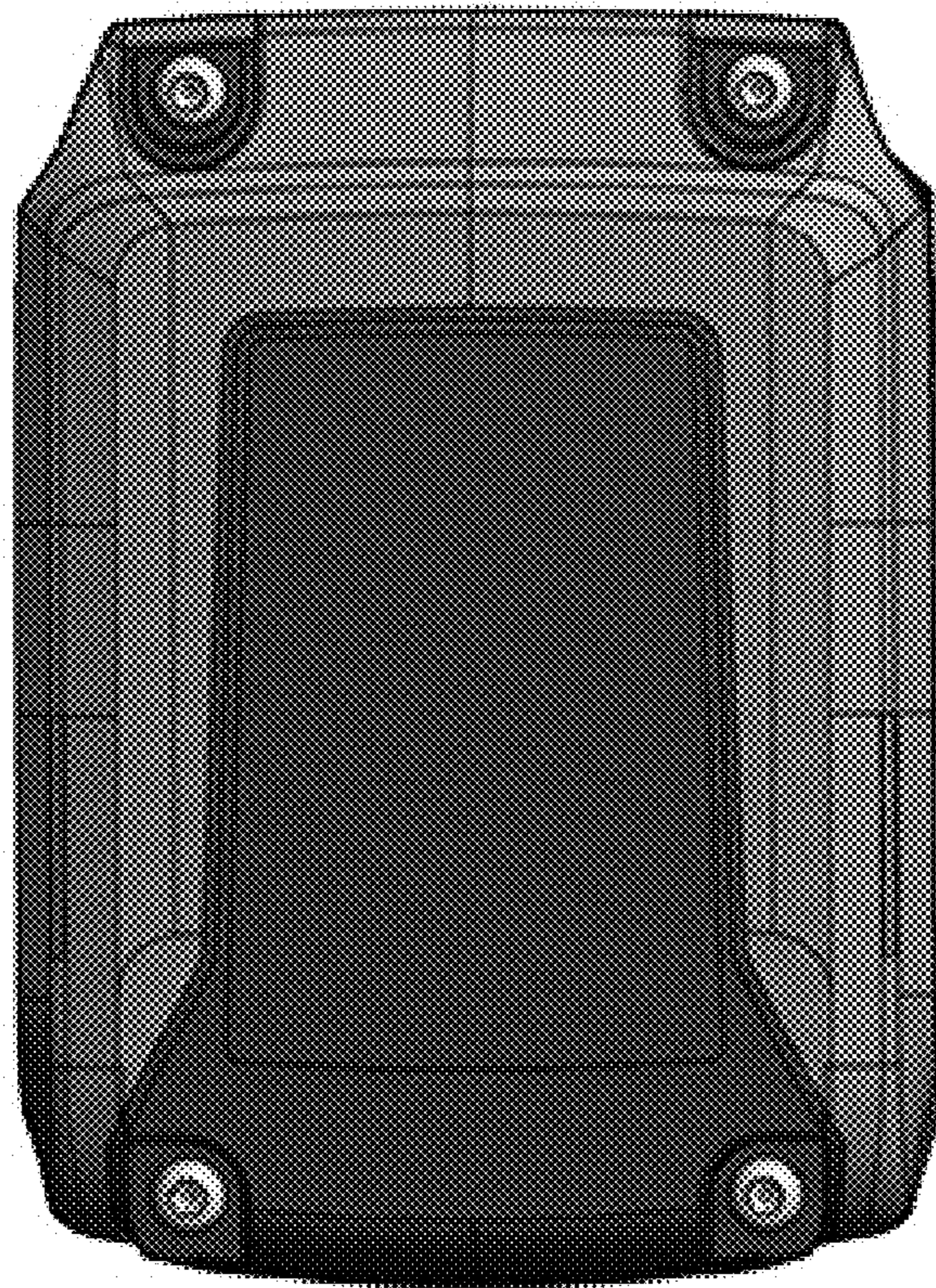
1.4



1.5



1.6



1.7

