



US00D894119S

(12) **United States Design Patent** (10) **Patent No.:** **US D894,119 S**  
**Lu** (45) **Date of Patent:** **\*\* Aug. 25, 2020**

(54) **BATTERY FOR PORTABLE ELECTRONIC DEVICE**

(71) Applicant: **GETAC TECHNOLOGY CORPORATION**, Hsinchu County (TW)

(72) Inventor: **Wei-Sen Lu**, Taipei (TW)

(73) Assignee: **GETAC TECHNOLOGY CORPORATION**, Hsinchu County (TW)

(\*\*) Term: **15 Years**

(21) Appl. No.: **29/656,474**

(22) Filed: **Jul. 12, 2018**

(51) **LOC (12) Cl.** ..... **13-02**

(52) **U.S. Cl.**  
USPC ..... **D13/103**

(58) **Field of Classification Search**  
USPC ..... D13/102-110, 118-119, 184; D14/420  
CPC ..... Y02E 60/10; Y02E 60/12; Y02E 60/122; Y02E 60/124; Y02E 60/50; H01M 2/02; H01M 2/022; H01M 2/0202; H01M 2/0207; H01M 2/0212; H01M 2/1061; H01M 2/1022; H01M 2/1055; H01M 2/1066; H01M 2/105; H01M 2/20; H01M 2/202; H01M 2/204; H01M 2/206; H01M 10/44; H01M 10/46; H01M 10/465; H01M 10/482; H01M 2200/30; H01M 2250/30; H01M 2250/40; H02J 7/00; H02J 7/0003; H02J 7/0011; H02J 7/0013; H02J 7/0054; H02J 7/0055; H02J 7/0057; H02J 2007/0062

See application file for complete search history.

(56) **References Cited**

**U.S. PATENT DOCUMENTS**

D719,087 S \* 12/2014 Bataillon ..... D13/103  
D729,805 S \* 5/2015 Bataillon ..... D14/432

D821,401 S \* 6/2018 Siebels ..... D14/420  
D830,964 S \* 10/2018 Aoyagi ..... D13/103  
D843,933 S \* 3/2019 Giddings ..... D13/103  
D843,934 S \* 3/2019 Tan ..... D13/103  
D870,731 S \* 12/2019 Kuo ..... D14/420  
2009/0274953 A1\* 11/2009 Myers ..... H01M 2/1066  
429/100  
2012/0208046 A1\* 8/2012 Koh ..... H01M 2/021  
429/7  
2013/0143084 A1\* 6/2013 Kim ..... H01M 2/0207  
429/90  
2014/0199575 A1\* 7/2014 Ryu ..... H01M 2/1061  
429/99

\* cited by examiner

*Primary Examiner* — Catherine S Posthauer  
*Assistant Examiner* — Alison M Ofstun

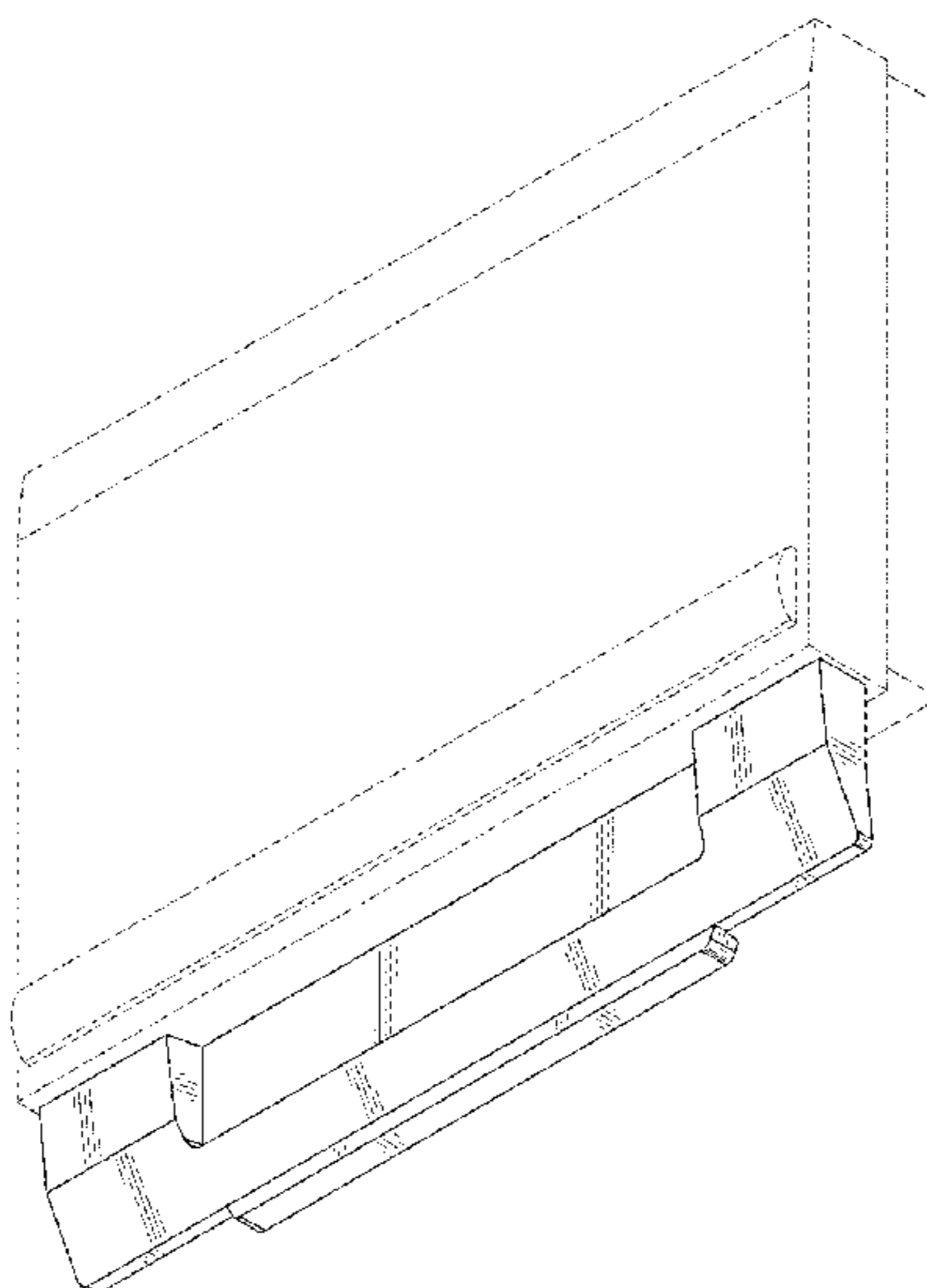
(57) **CLAIM**

The ornamental design for a battery for portable electronic device, as shown and described.

**DESCRIPTION**

FIG. 1 is a bottom, front right side perspective view of a battery for portable electronic device, showing my new design;  
FIG. 2 is a top, front right side perspective view thereof;  
FIG. 3 is a bottom, rear left side perspective view thereof;  
FIG. 4 is a front view thereof;  
FIG. 5 is a rear view thereof;  
FIG. 6 is a left side view thereof;  
FIG. 7 is a right side view thereof;  
FIG. 8 is a top view thereof;  
FIG. 9 is a bottom view thereof; and,  
FIG. 10 is a front view thereof, shown in an environment of use.  
The broken lines in FIGS. 1-9 represent portions of the article which form no part of the claimed design. The remaining broken lines in FIG. 10 represent environmental subject matter which forms no part of the claimed design.

**1 Claim, 10 Drawing Sheets**



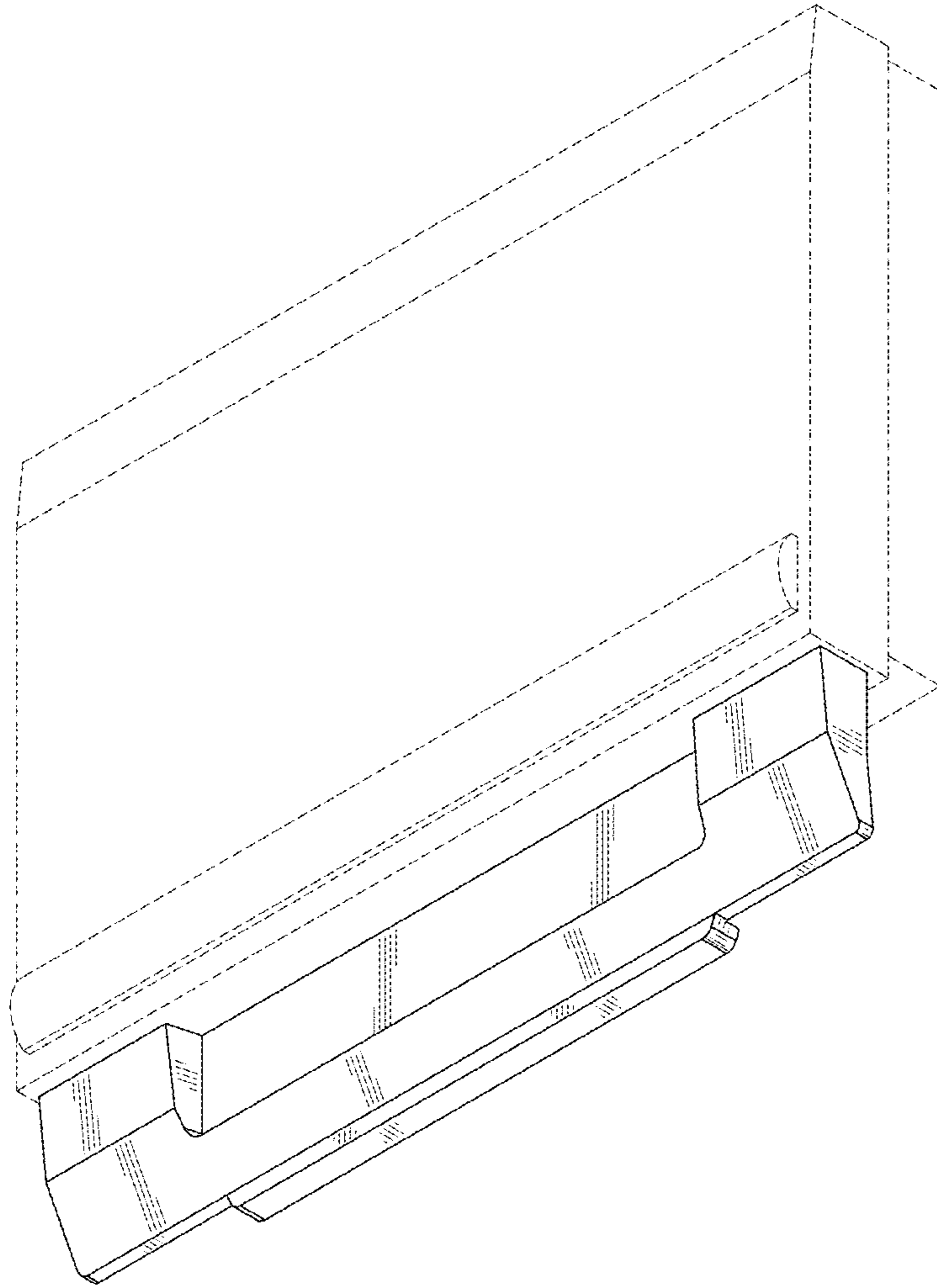


FIG. 1

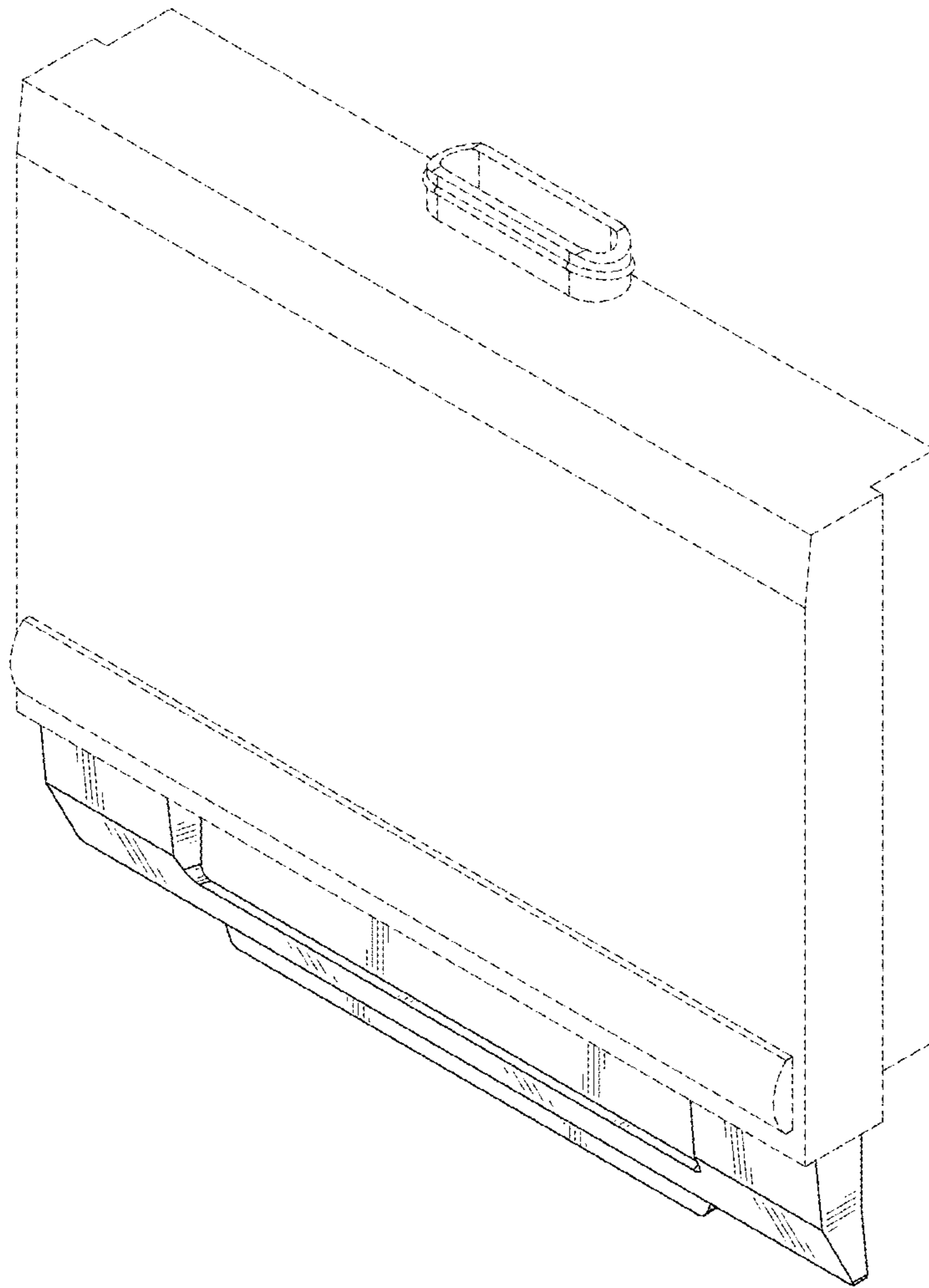


FIG. 2

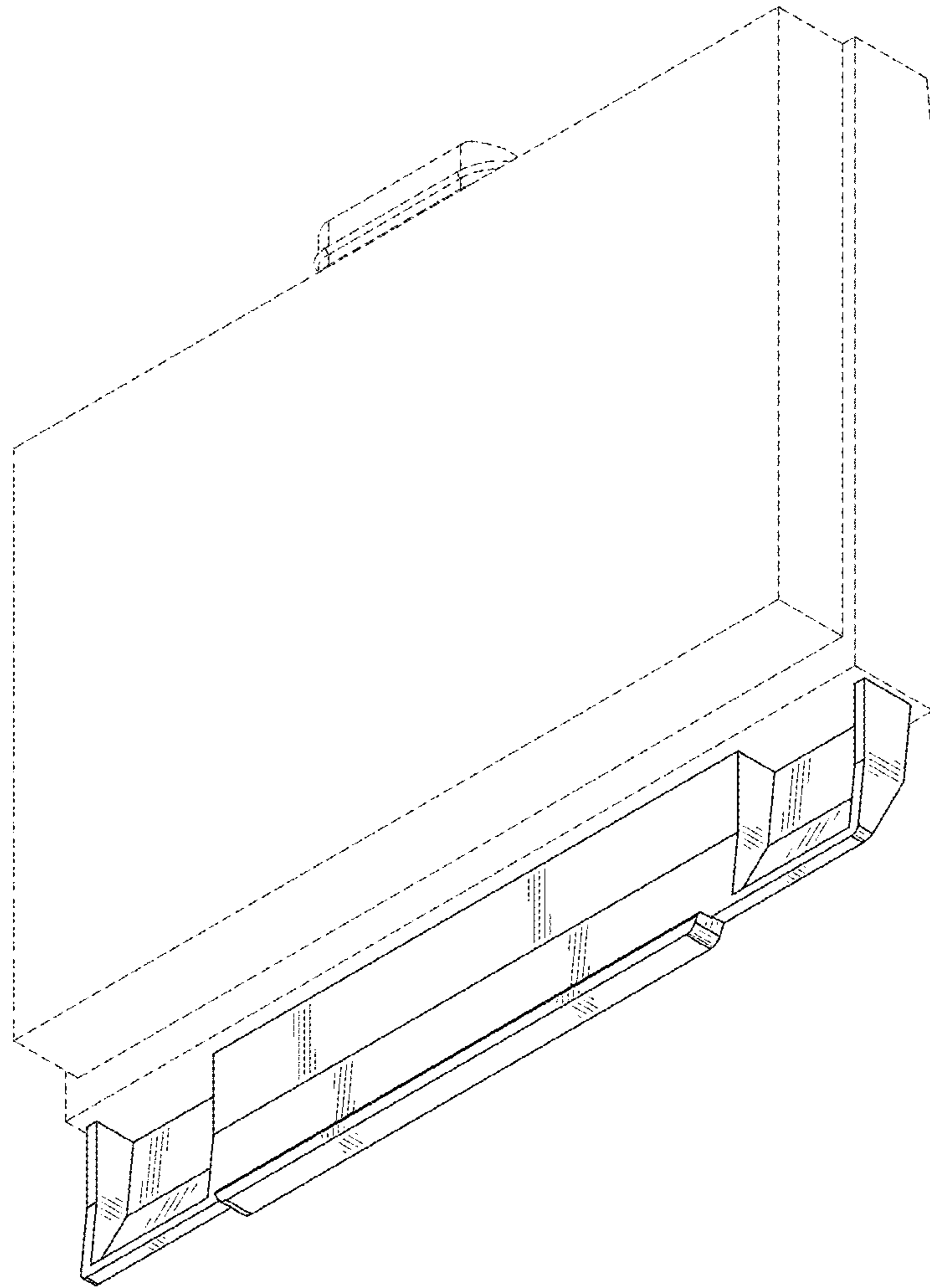


FIG. 3

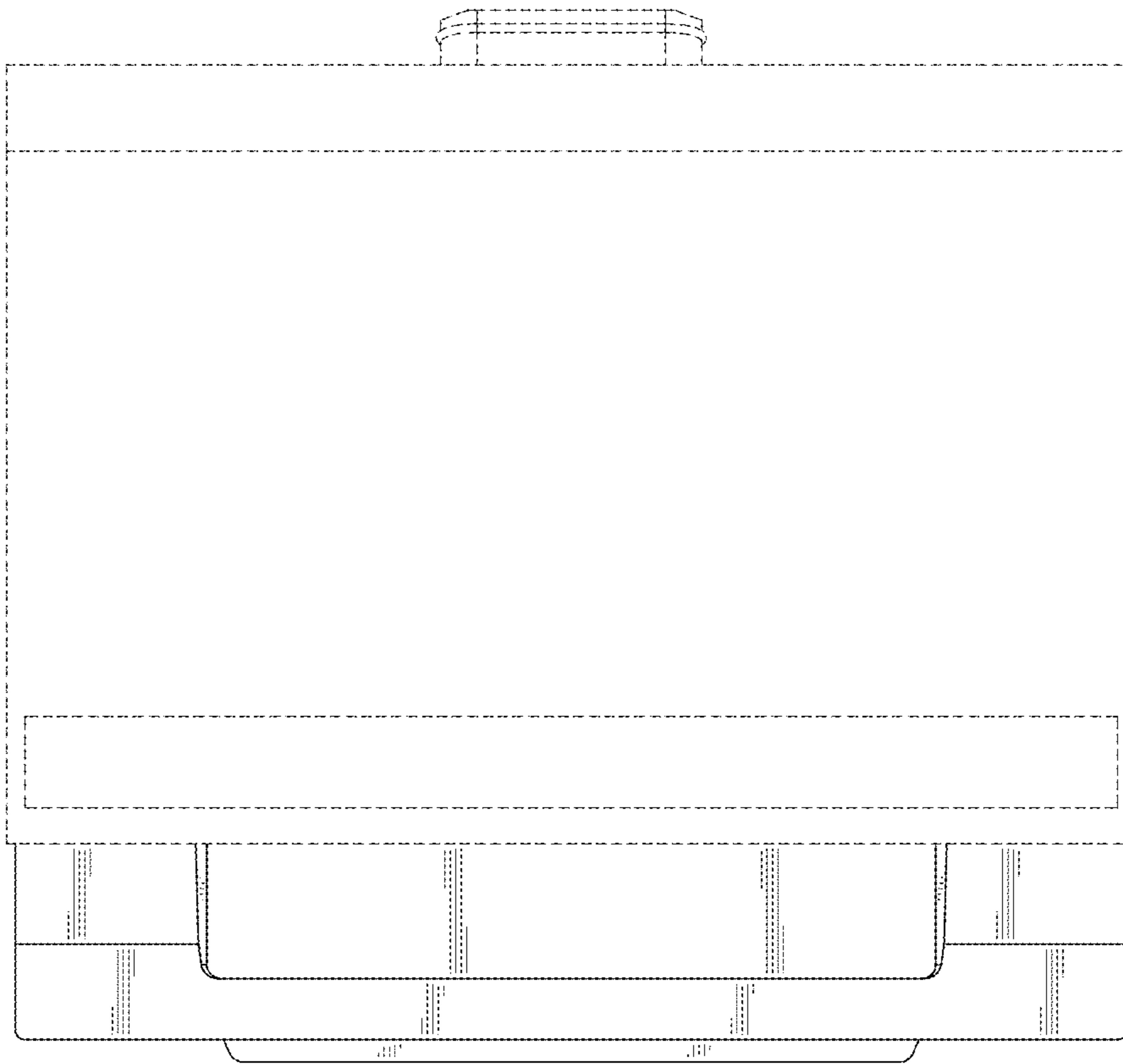


FIG. 4

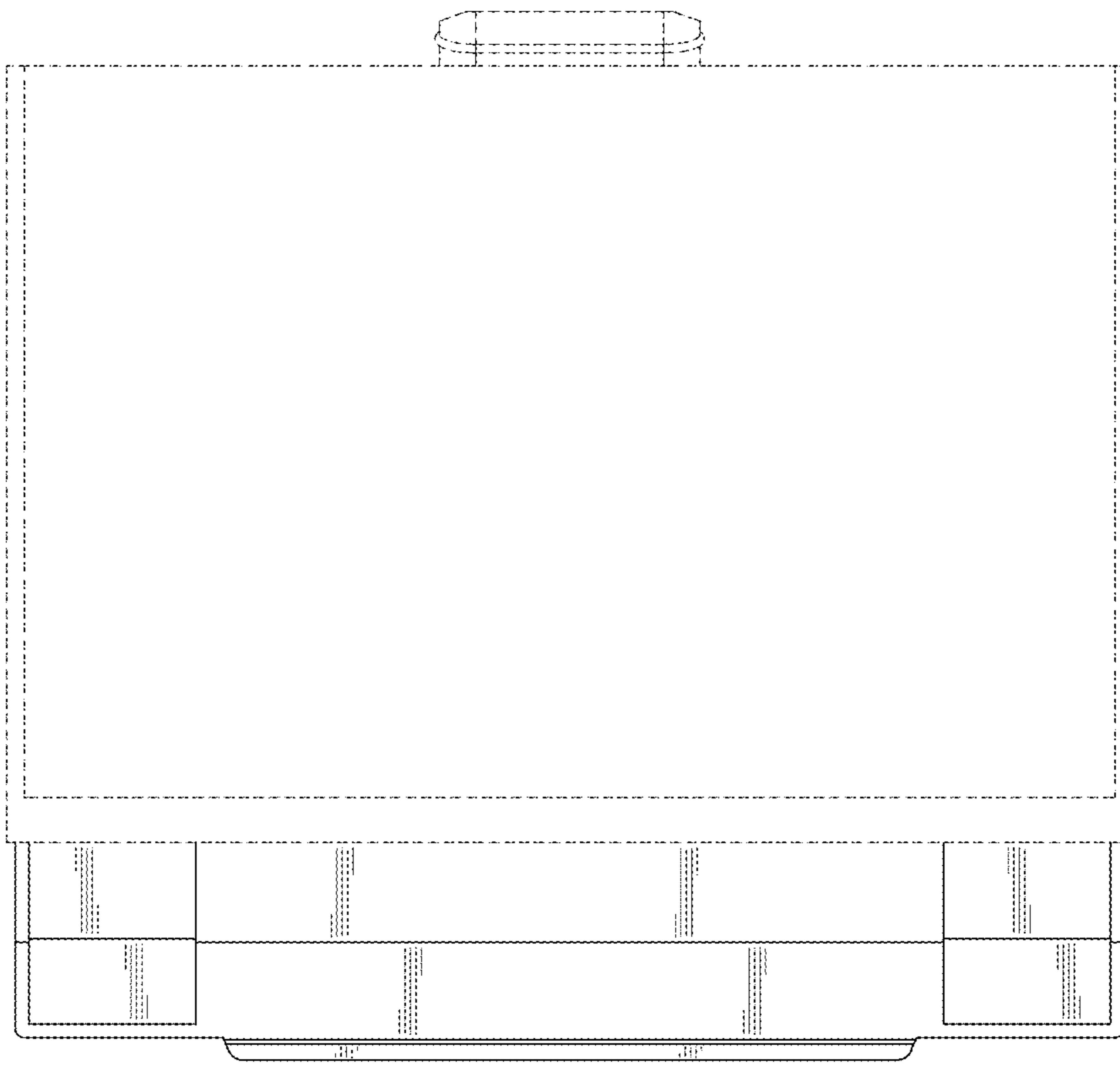


FIG. 5

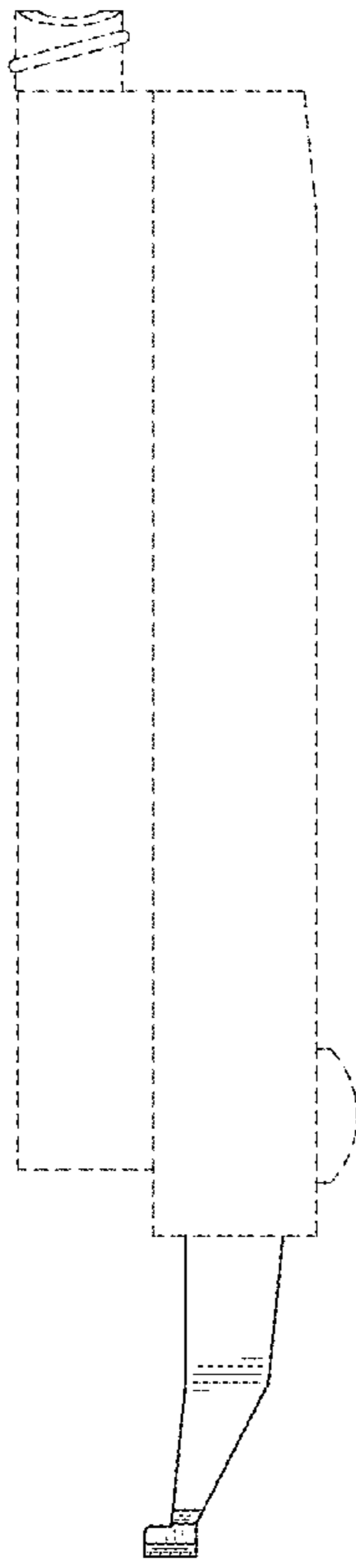


FIG. 6

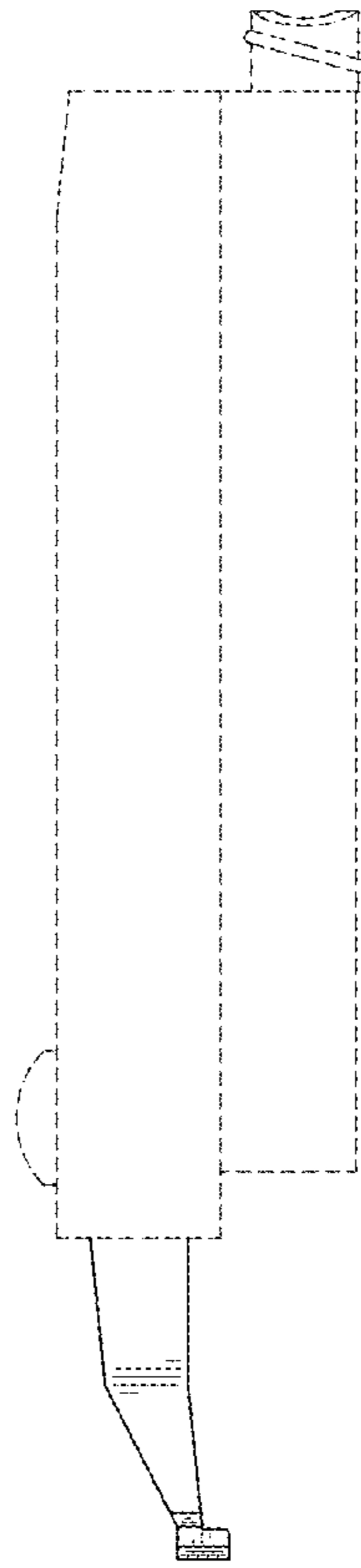


FIG. 7



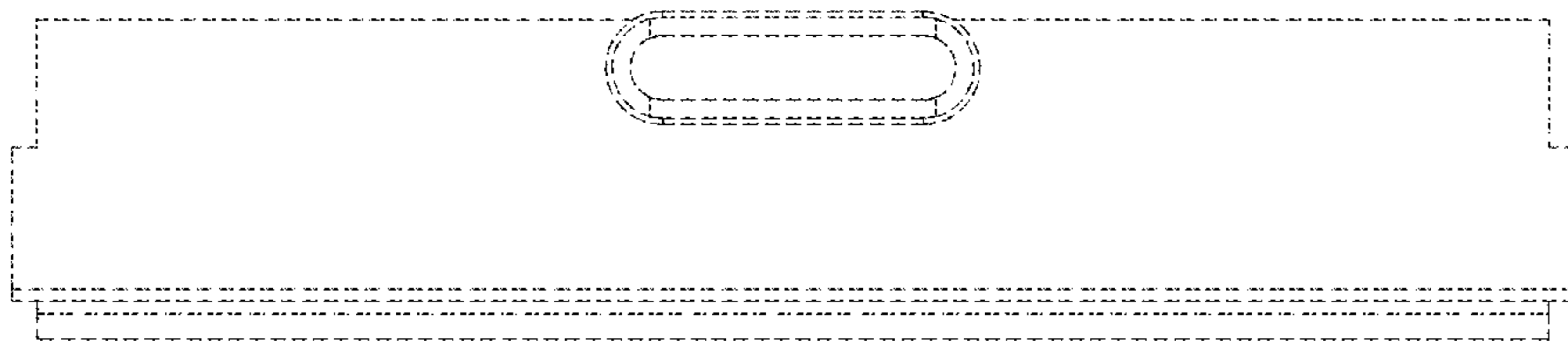


FIG. 8

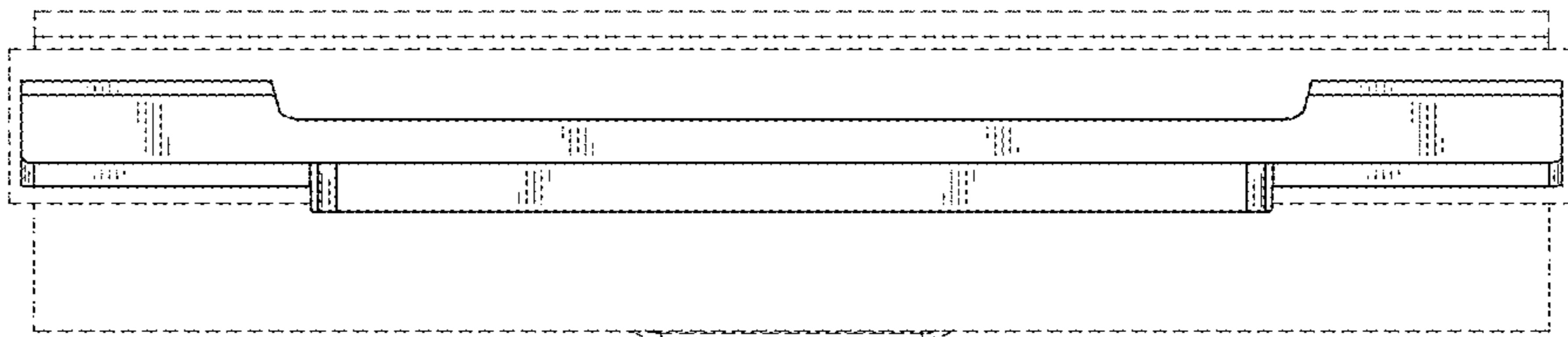


FIG. 9

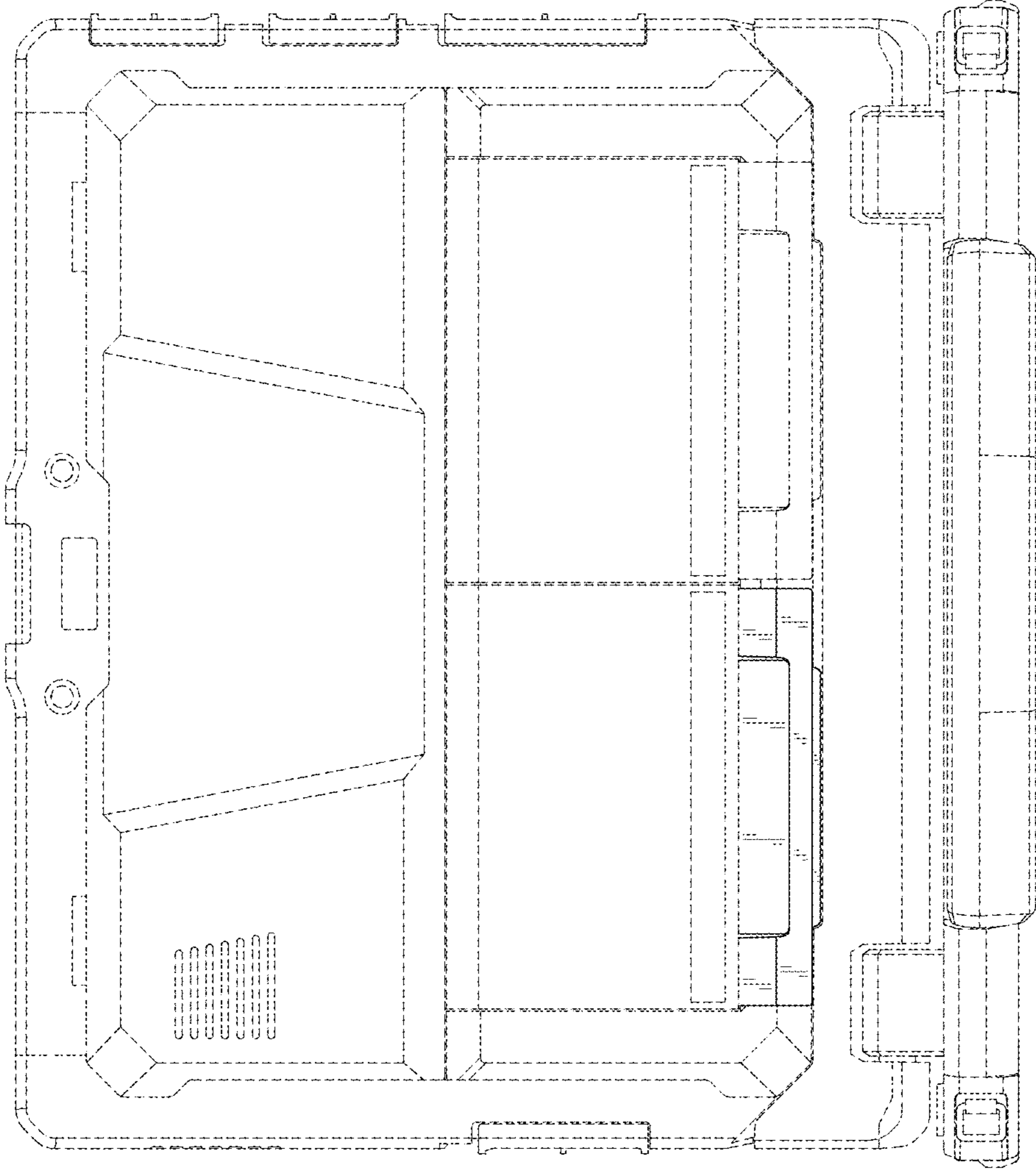


FIG. 10