



US00D894117S

(12) **United States Design Patent**
Burgess et al.

(10) **Patent No.:** **US D894,117 S**

(45) **Date of Patent:** **** Aug. 25, 2020**

(54) **OXYGEN CONCENTRATOR BATTERY**

D627,476 S 11/2010 Gaw
D642,273 S 7/2011 Mccombs
D649,645 S 11/2011 Barker

(71) Applicant: **INOGEN, INC.**, Goleta, CA (US)

(Continued)

(72) Inventors: **Patrick Fitzlindon Burgess**, Dunedin, FL (US); **Daniel Wayne Chin**, Goleta, CA (US); **Brenton Alan Taylor**, Kenwood, CA (US); **Peter James Hansen**, Santa Barbara, CA (US)

FOREIGN PATENT DOCUMENTS

JP 2010119766 A 6/2010
JP 2010119767 A 6/2010

(73) Assignee: **Inogen, Inc.**, Goleta, CA (US)

OTHER PUBLICATIONS

(**) Term: **15 Years**

Medicalbulkbuy. <URL: https://medicalbulkbuy.com/product/portable-oxygen-concentrator/> Visited May 29, 2018. Portable Oxygen Concentrator.

(21) Appl. No.: **29/605,255**

Primary Examiner — Rosemary K Tarcza

(22) Filed: **May 24, 2017**

(74) *Attorney, Agent, or Firm* — Knobbe Martens Olson & Bear, LLP

(51) **LOC (12) Cl.** **13-02**

(52) **U.S. Cl.**
USPC **D13/103**

(58) **Field of Classification Search**
USPC D13/102-106, 110, 118-121, 184, 199
CPC Y02E 60/12; Y02E 60/122; Y02E 60/124;
Y02E 60/50; H01M 2/02; H01M 2/022;
H01M 2/0202; H01M 2/0207; H01M
2/0212; H01M 2/1061; H01M 2/1022;
H01M 2/1055; H01M 2/1066; H01M
2/105; H01M 2/204; H01M 10/4257;
H01M 10/0436; H01M 10/48

See application file for complete search history.

(57) **CLAIM**

The ornamental design for an oxygen concentrator battery, as shown and described.

DESCRIPTION

FIG. 1 is a perspective view of an oxygen concentrator battery.

FIG. 2 is a left side view of the oxygen concentrator battery in FIG. 1.

FIG. 3 is a right side view of the oxygen concentrator battery in FIG. 1.

FIG. 4 is a top view of the oxygen concentrator battery in FIG. 1.

FIG. 5 is a bottom view of the oxygen concentrator battery in FIG. 1.

FIG. 6 is a rear view of the oxygen concentrator battery in FIG. 1; and,

FIG. 7 is a front view of the oxygen concentrator battery in FIG. 1.

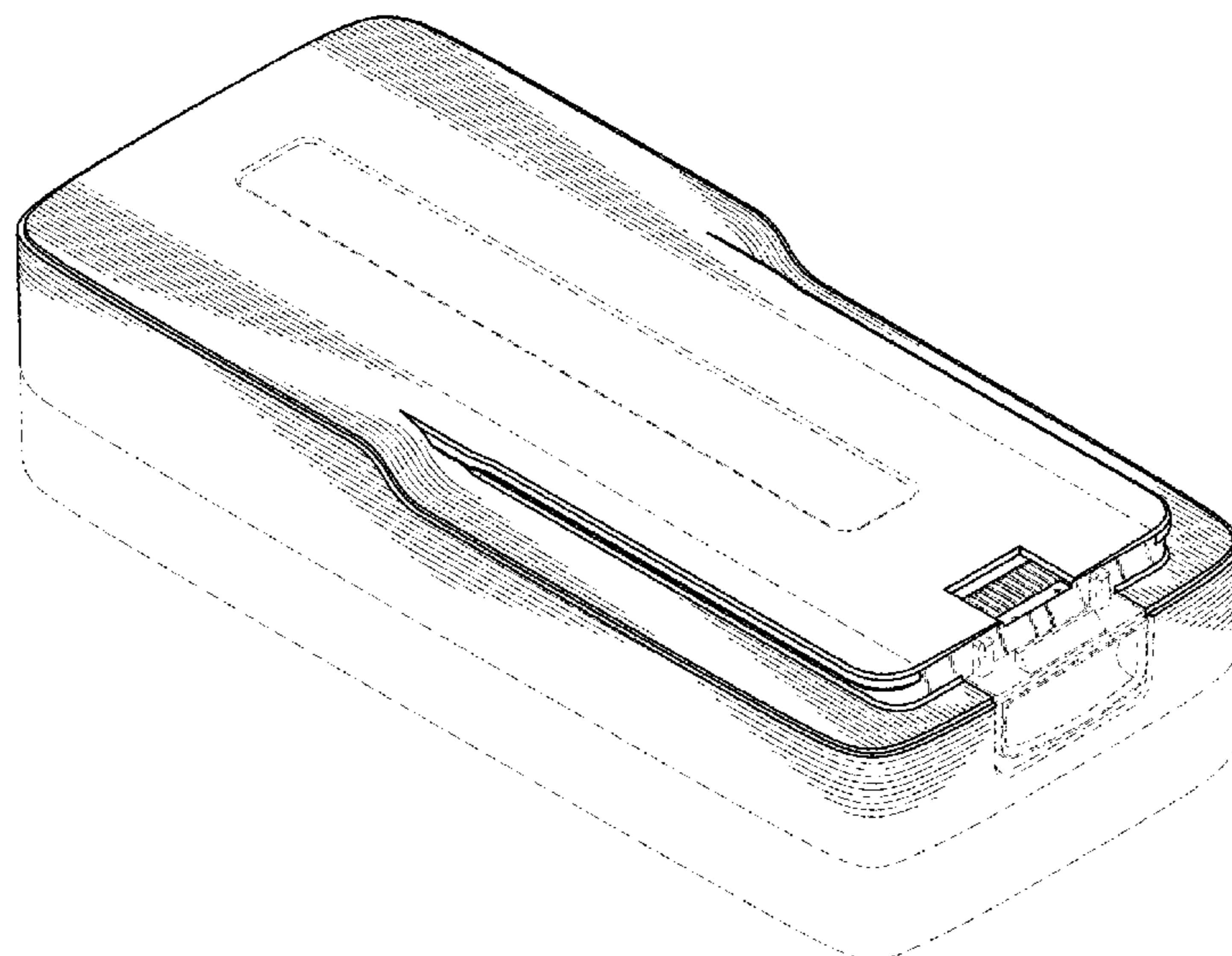
The broken lines are for the purpose of illustrating portions of the oxygen concentrator battery that form no part of the claimed design.

(56) **References Cited**

U.S. PATENT DOCUMENTS

D389,455 S * 1/1998 Lindahl D13/103
D447,112 S * 8/2001 Heong D13/103
D447,461 S * 9/2001 Heong D13/103
D549,341 S 8/2007 Ross
D549,342 S 8/2007 Ross
D550,360 S 9/2007 Mccombs
D589,441 S * 3/2009 Van Wambeke D13/103
D610,082 S * 2/2010 Sweeney D13/103
D610,537 S * 2/2010 Sweeney D13/103

1 Claim, 4 Drawing Sheets



(56)

References Cited

U.S. PATENT DOCUMENTS

D679,651	S	*	4/2013	Stratford	D13/103
D682,192	S	*	5/2013	Corbin	D13/103
D682,193	S	*	5/2013	Corbin	D13/103
D700,701	S		3/2014	Taylor		
D706,211	S	*	6/2014	Taylor	D13/103
D718,705	S	*	12/2014	Naksen	D13/103
D776,610	S	*	1/2017	Nommensen	D13/103
D780,687	S	*	3/2017	Taniguchi	D13/103
D812,555	S	*	3/2018	Schoch	D13/103
D826,150	S	*	8/2018	Cayon	D13/103
D849,681	S	*	5/2019	Howell	D13/103
2006/0230939	A1		10/2006	Bliss		
2009/0167698	A1		7/2009	Altas		
2017/0128690	A1		5/2017	Flanagan		

* cited by examiner

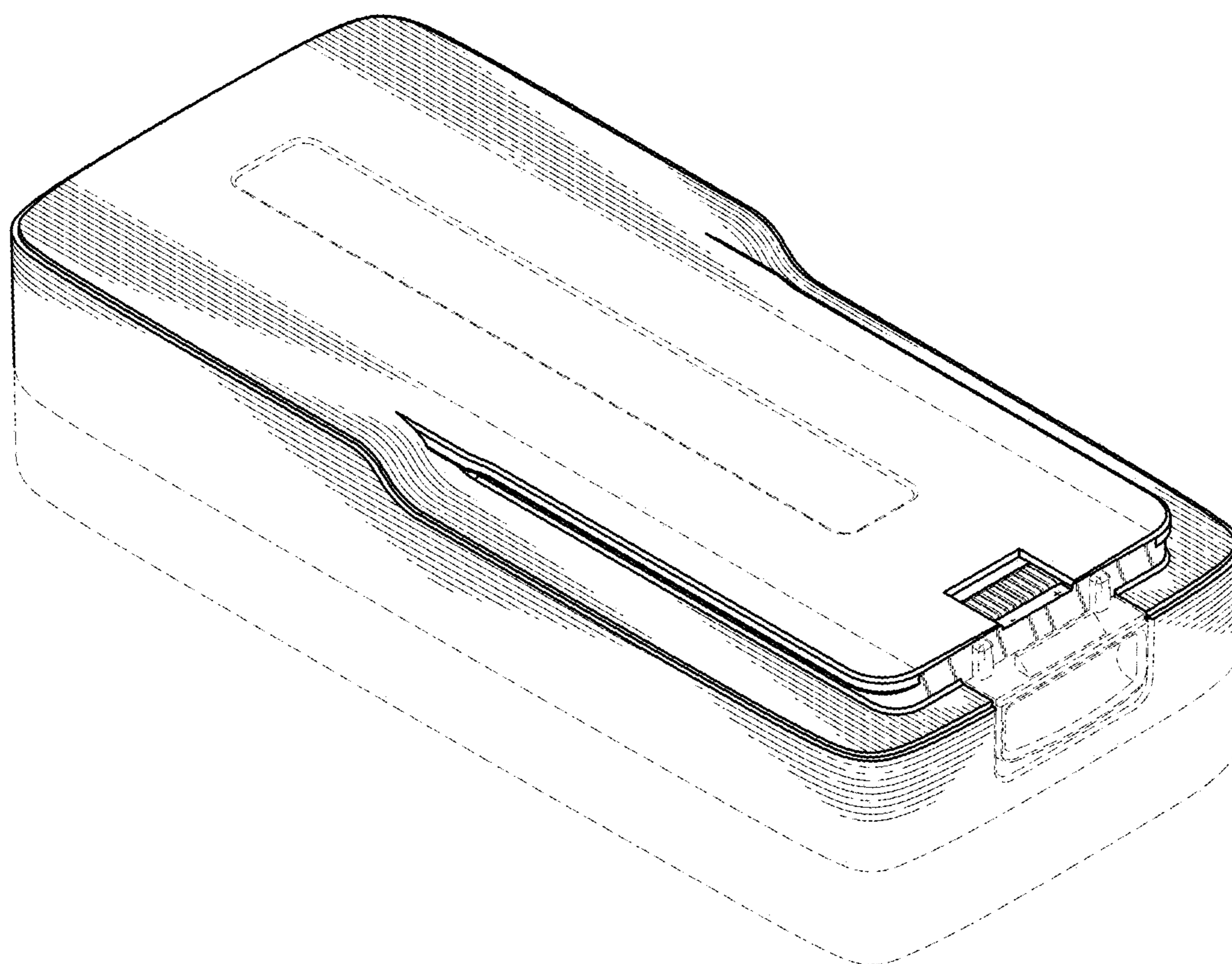


FIG. 1

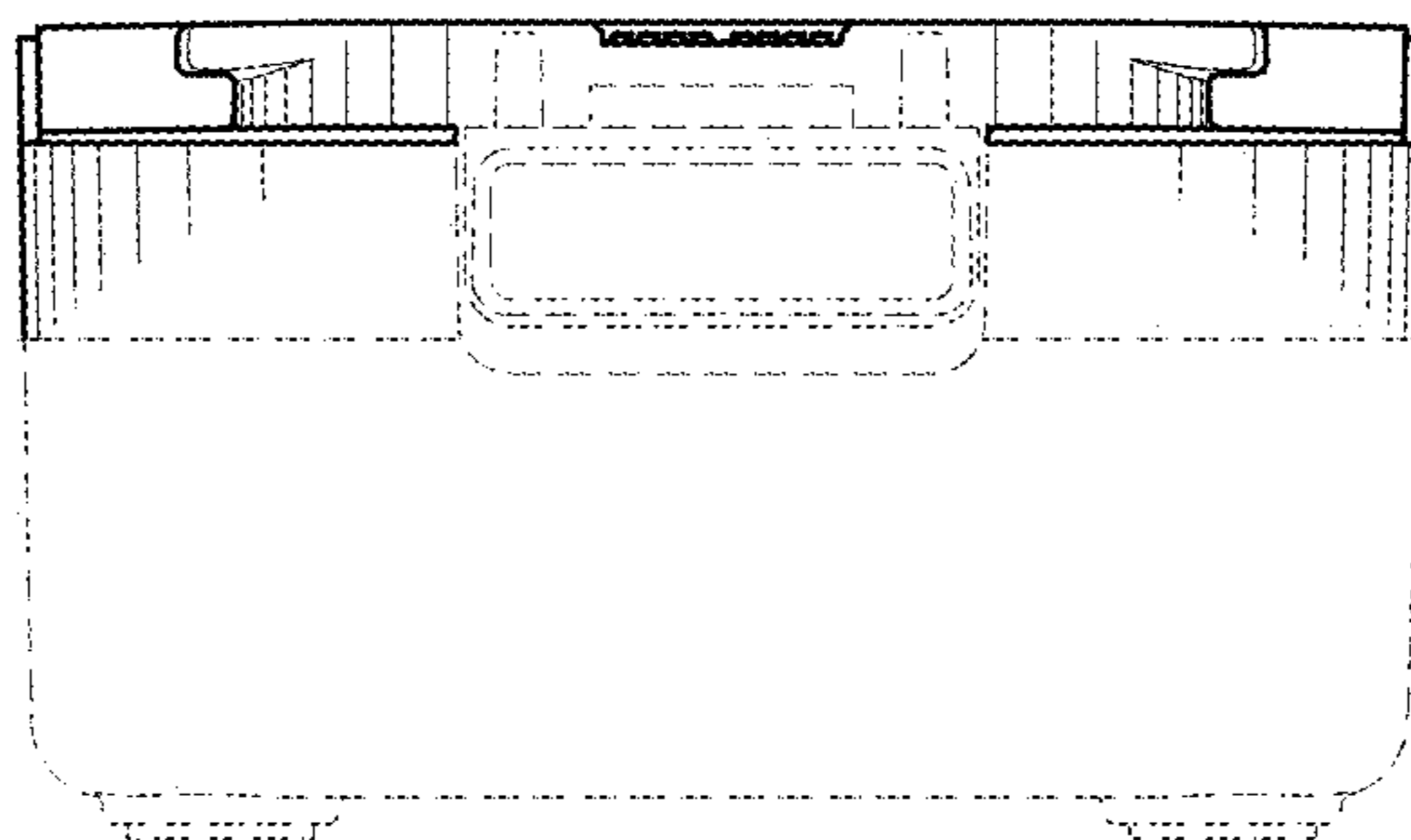


FIG. 2

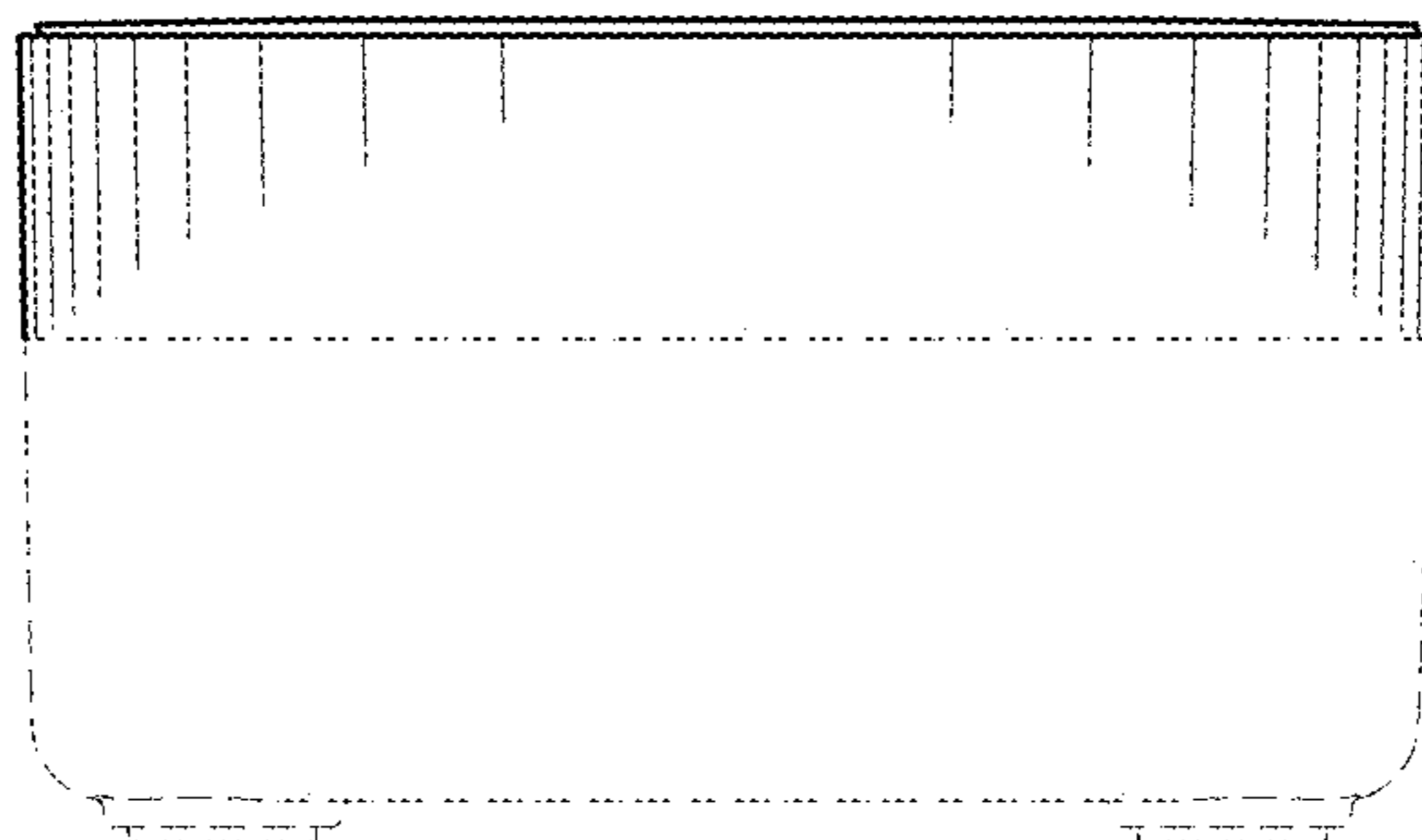


FIG. 3

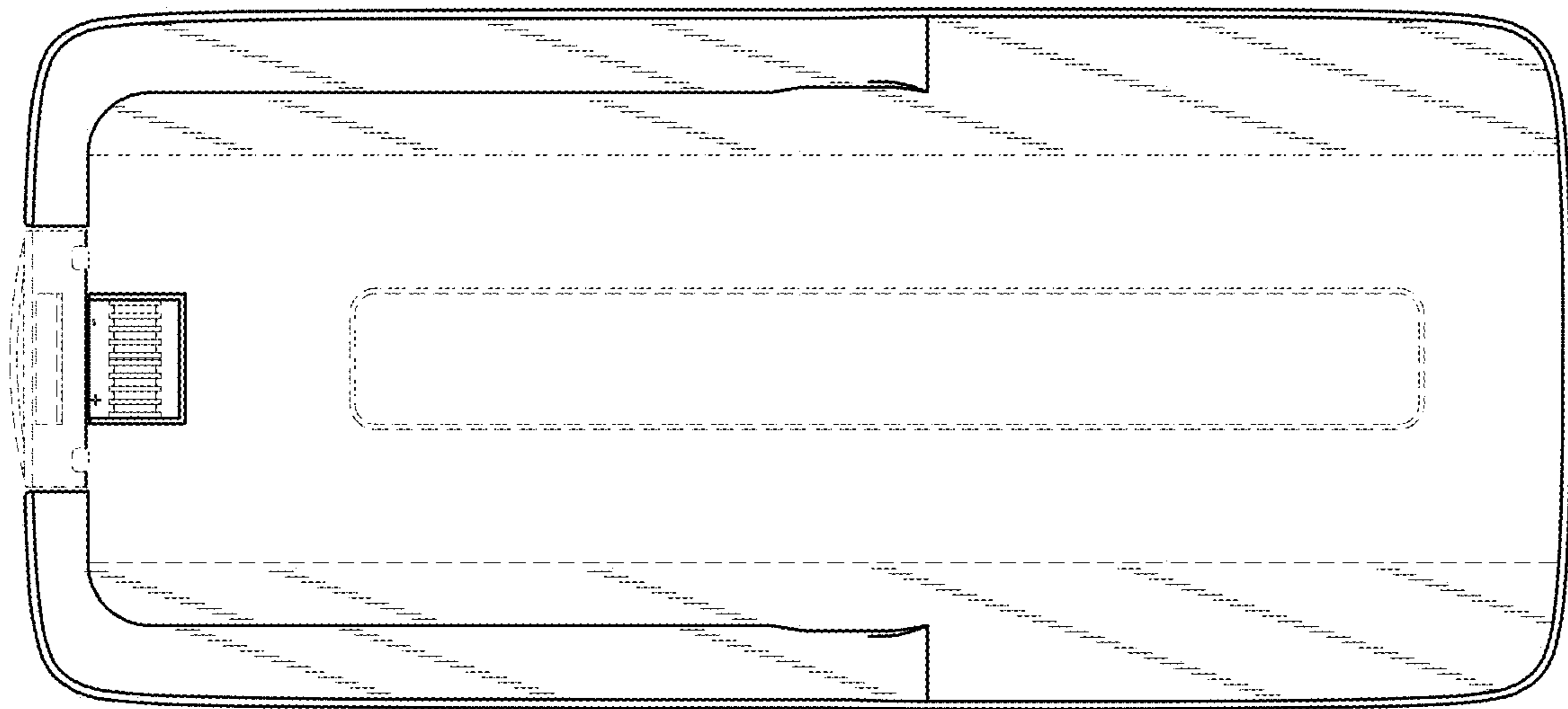


FIG. 4

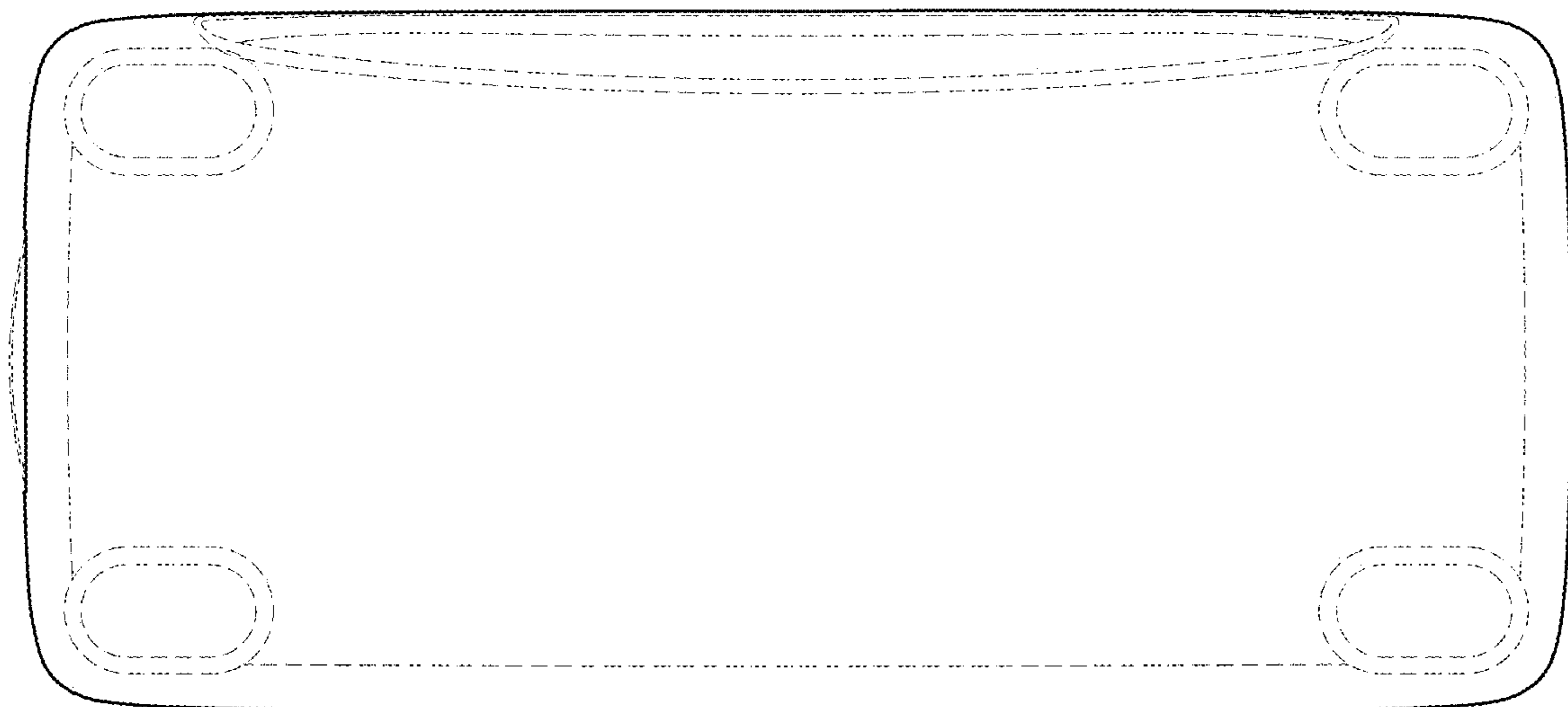


FIG. 5

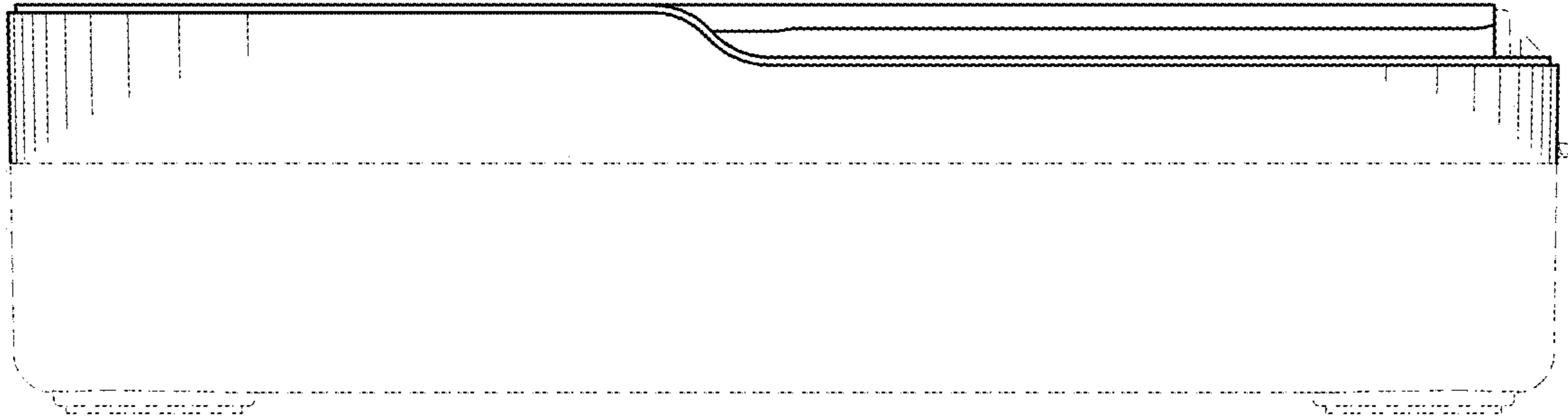


FIG. 6

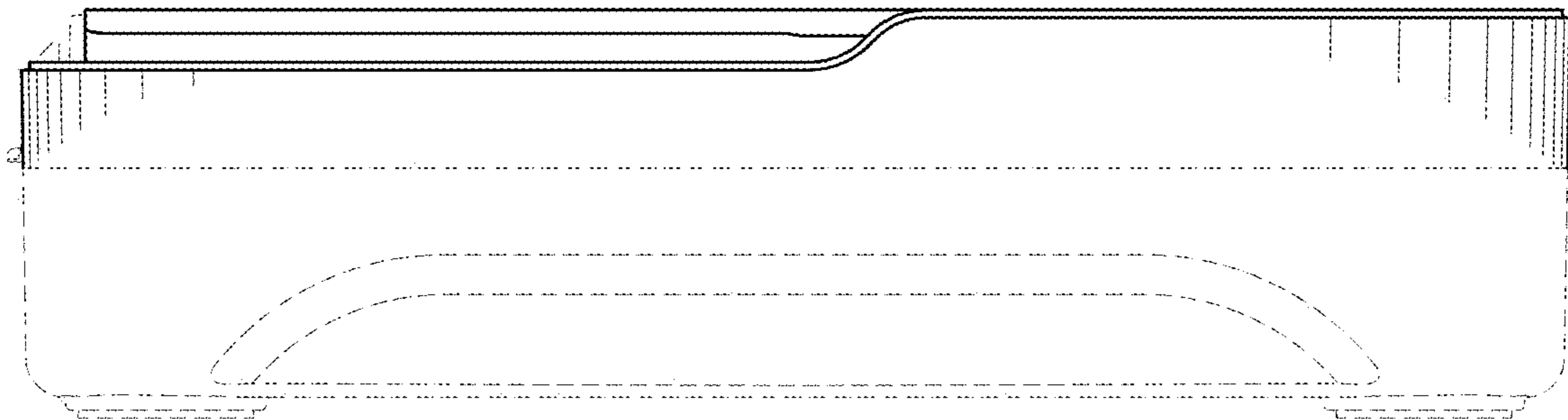


FIG. 7