



US00D894110S

(12) **United States Design Patent** (10) **Patent No.:** **US D894,110 S**
Kanamura et al. (45) **Date of Patent:** **** Aug. 25, 2020**

(54) **TIRE**
(71) Applicant: **Toyo Tire Corporation**, Itami-shi, Hyogo (JP)
(72) Inventors: **Toshihiko Kanamura**, Itami (JP); **Kensuke Shibayama**, Itami (JP)
(73) Assignee: **Toyo Tire Corporation**, Itami-shi (JP)
(**) Term: **15 Years**

Primary Examiner — Robert M. Spear
(74) *Attorney, Agent, or Firm* — Sterne, Kessler, Goldstein & Fox P.L.L.C.

(21) Appl. No.: **29/689,334**
(22) Filed: **Apr. 29, 2019**

(57) **CLAIM**
The ornamental design for a tire, as shown and described.

(30) **Foreign Application Priority Data**
Nov. 21, 2018 (JP) 2018-025418
Nov. 26, 2018 (JP) 2018-025581

DESCRIPTION

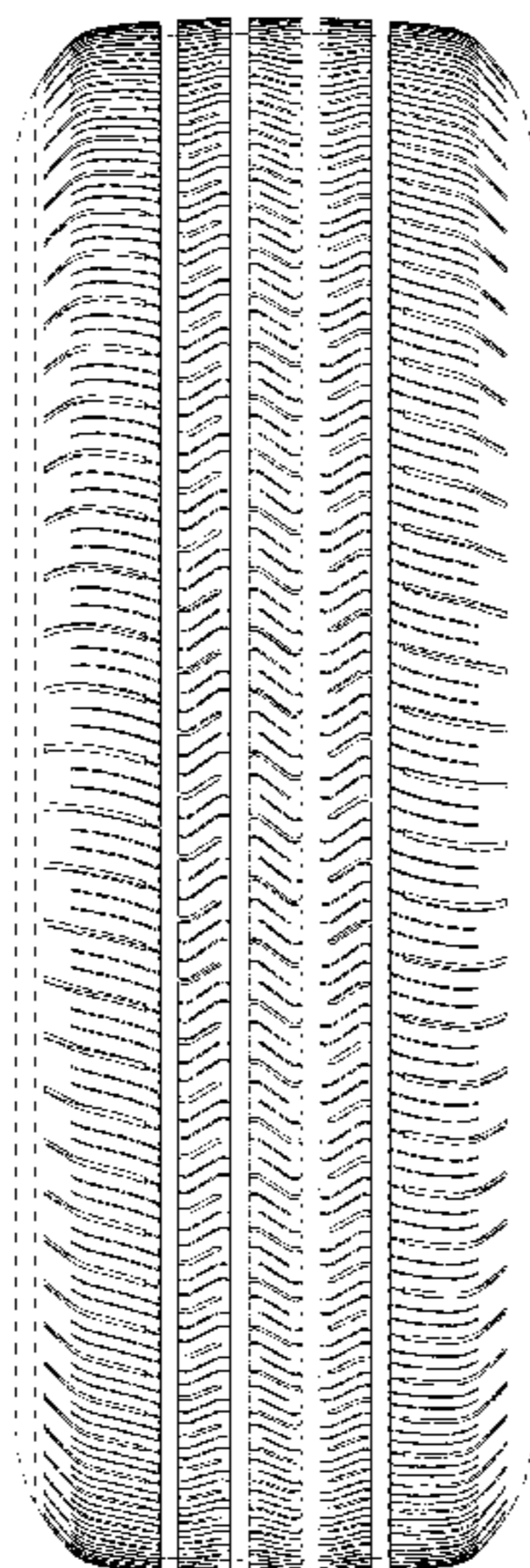
(51) **LOC (12) Cl.** **12-15**
(52) **U.S. Cl.**
USPC **D12/595**
(58) **Field of Classification Search**
USPC D12/579, 586, 587, 588, 589, 590, 594, D12/595, 600, 601
CPC B60C 11/0306; B60C 11/04; B60C 11/11
See application file for complete search history.

FIG. 1 is a front perspective view of a tire showing the claimed design;
FIG. 2 is a front view thereof, the rear view being the same;
FIG. 3 is a top plan view thereof, the bottom plan view being the same;
FIG. 4 is a right side view thereof, the left side view being the same;
FIG. 5 is an enlarged view taken along line 5-5 in FIG. 1;
FIG. 6 is an enlarged view of the portion 6-6 in FIG. 2;
FIG. 7 is a cross-sectional view taken along line 7-7 in FIG. 6;
FIG. 8 is a front perspective view of another embodiment of a tire showing the claimed design;
FIG. 9 is a front view thereof, the rear view being the same;
FIG. 10 is a top plan view thereof, the bottom plan view being the same;
FIG. 11 is a right side view thereof, the left side view being the same;
FIG. 12 is an enlarged view taken along line 12-12 in FIG. 8;
FIG. 13 is an enlarged view of the portion 13-13 in FIG. 9; and
FIG. 14 is a cross-sectional view taken along line 14-14 in FIG. 13.
In the drawings, the broken lines show portions of the tire that form no part of the claimed design. The outermost broken lines of the sidewall form the boundary of the claim and form no part thereof.

(56) **References Cited**
U.S. PATENT DOCUMENTS
D449,024 S * 10/2001 Lovell D12/595
D586,733 S * 2/2009 Shinohara D12/588
D649,109 S * 11/2011 Harris D12/532
D661,642 S * 6/2012 Krupa D12/600
D673,899 S * 1/2013 Uphouse D12/600
(Continued)

FOREIGN PATENT DOCUMENTS
JP 0686584-002 S 10/1988
JP 1448563 S 8/2012
JP 1479752 S 9/2013

1 Claim, 14 Drawing Sheets



(56)

References Cited

U.S. PATENT DOCUMENTS

D765,585 S *	9/2016	Fujii	D12/588
D777,654 S *	1/2017	Lundgren	D12/604
D780,678 S *	3/2017	Maxwell	D12/595
D792,839 S *	7/2017	Maxwell	D12/595
D806,007 S *	12/2017	Robbins	D12/588
D838,234 S *	1/2019	Takahashi	D12/600
D849,672 S *	5/2019	Wang	D12/588
D849,673 S *	5/2019	Wang	D12/588
D876,330 S *	2/2020	Poling	D12/601
D885,320 S *	5/2020	Haanketo	D12/594

* cited by examiner

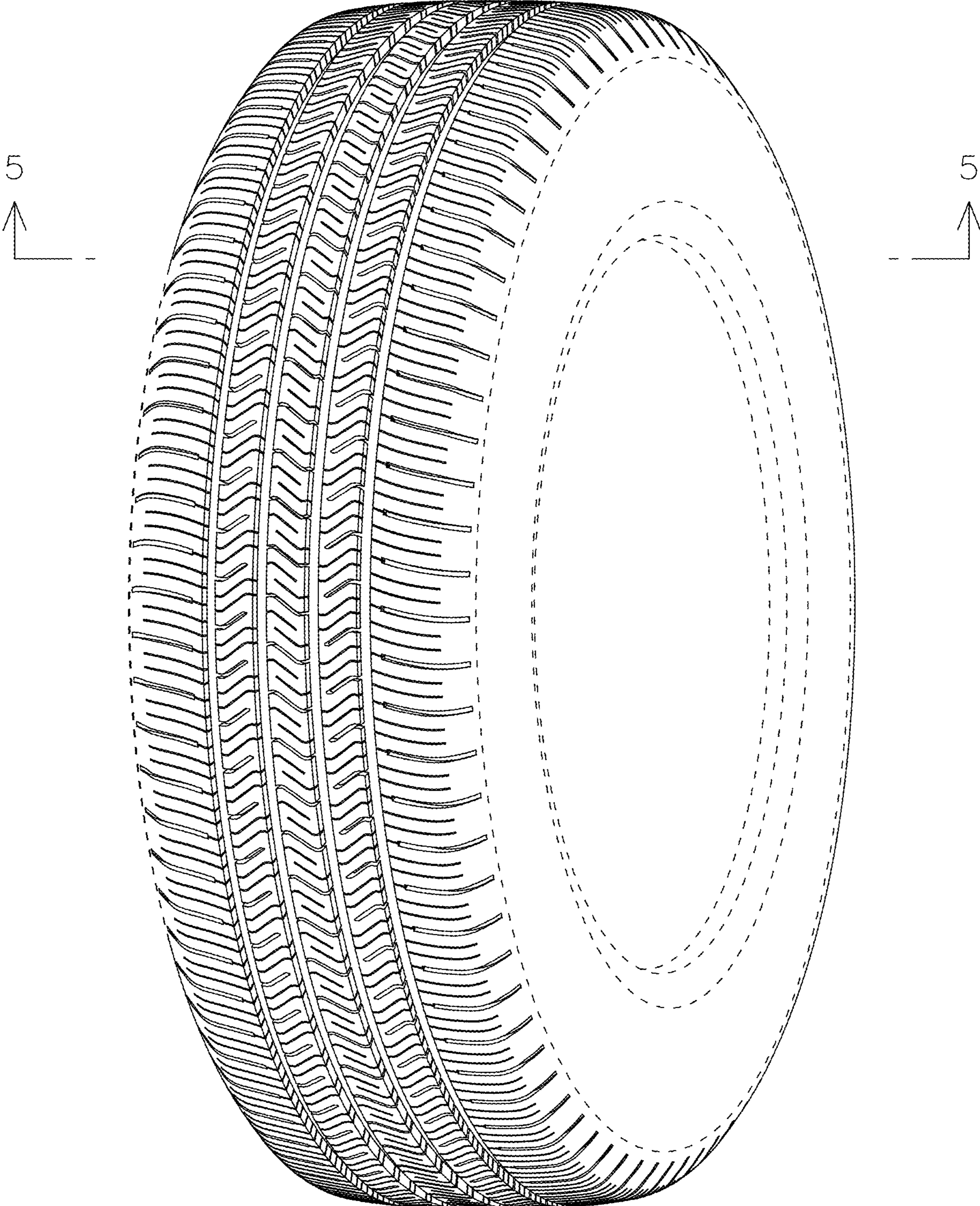


FIG. 1

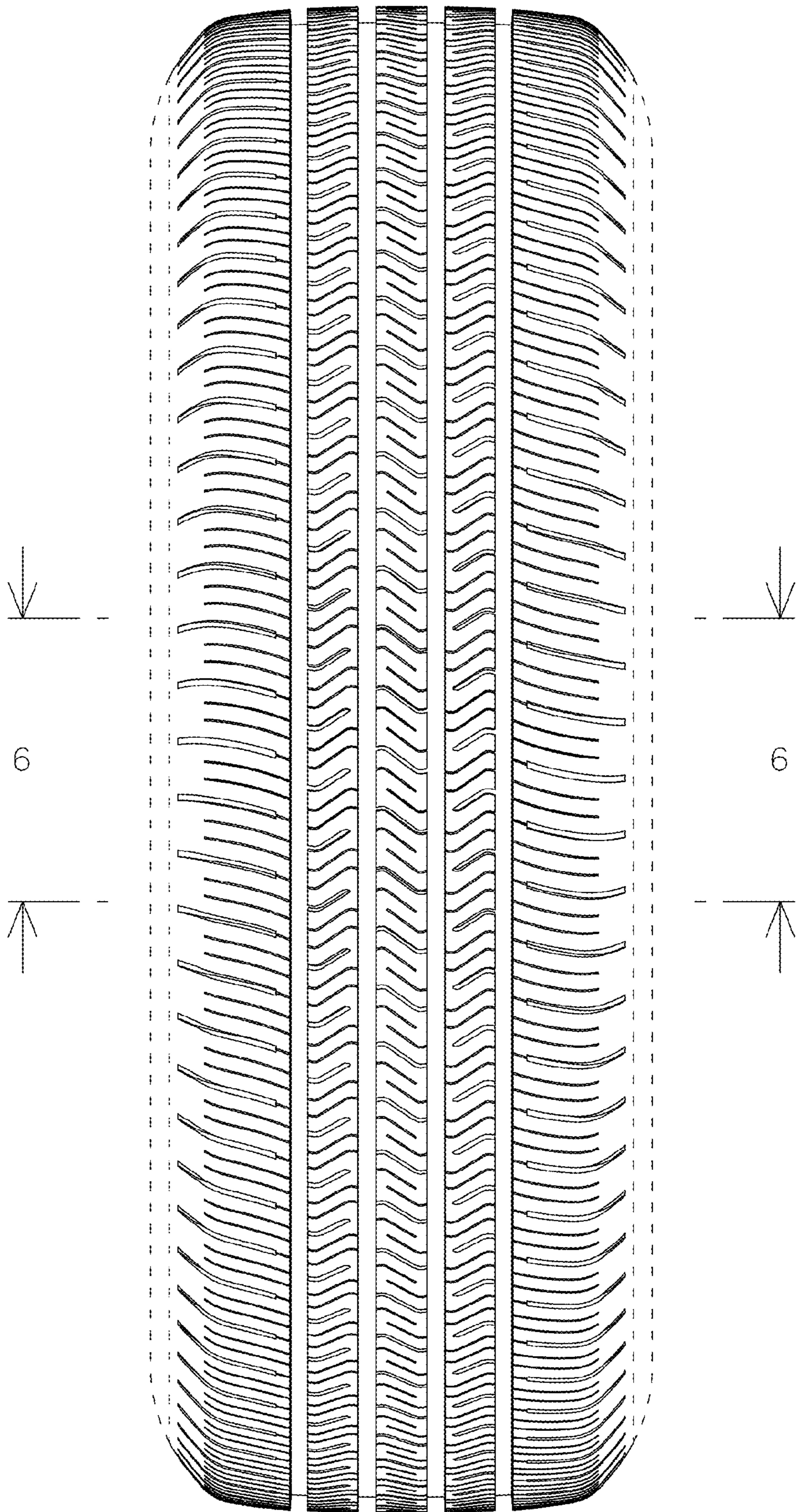


FIG. 2

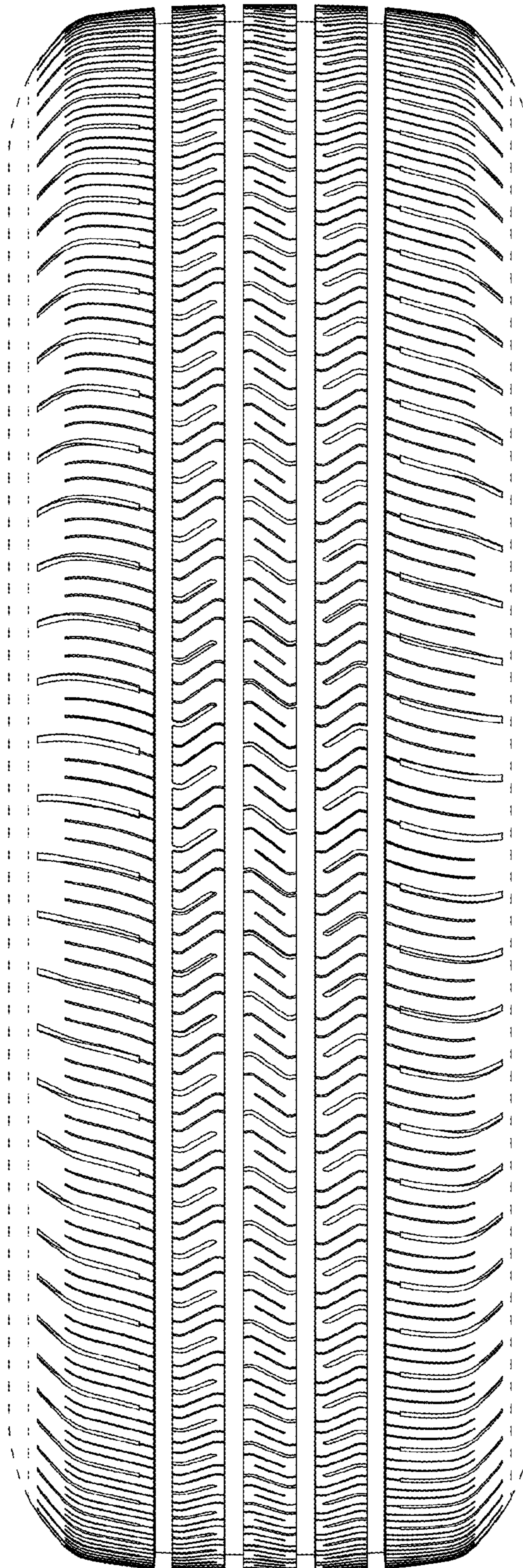


FIG. 3

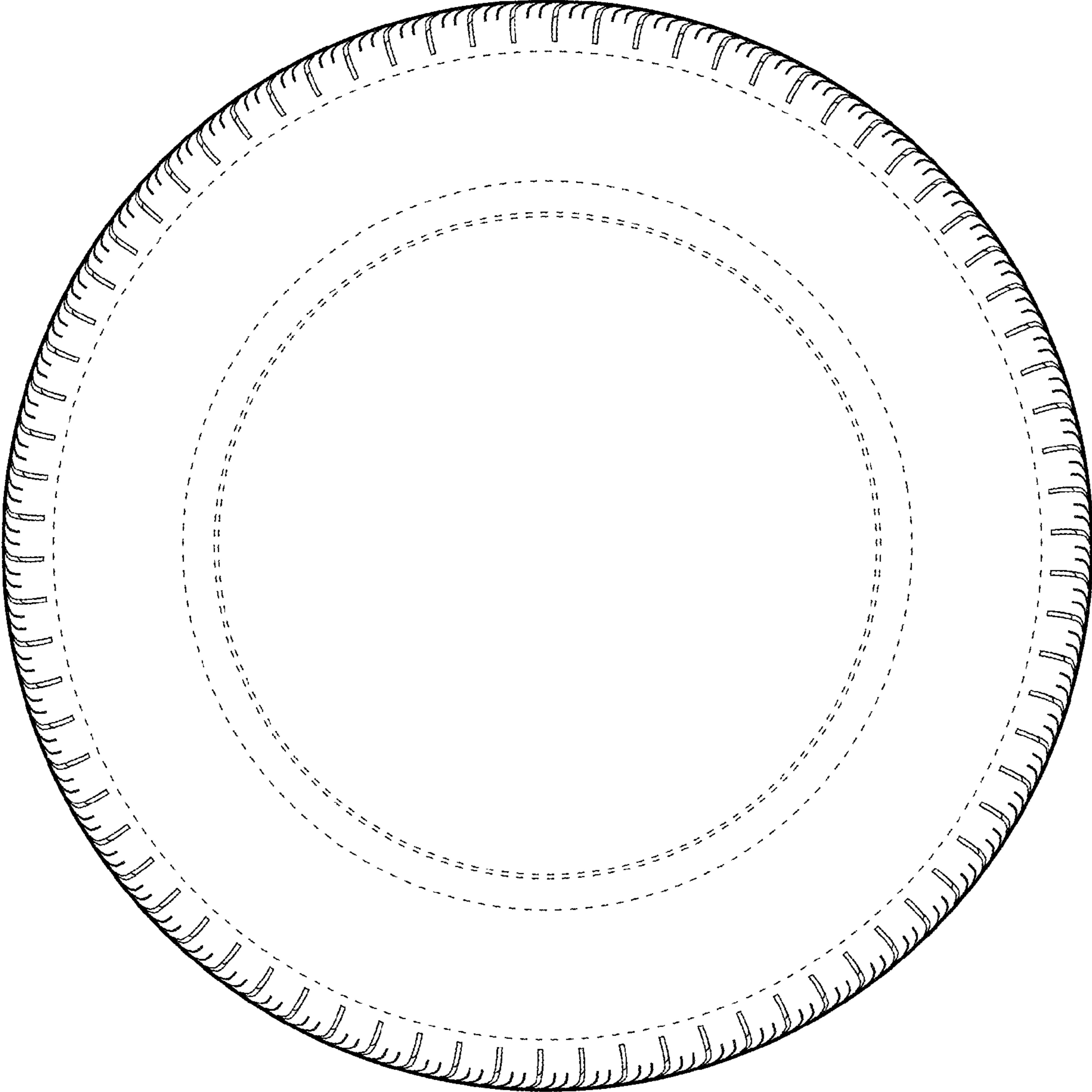


FIG. 4

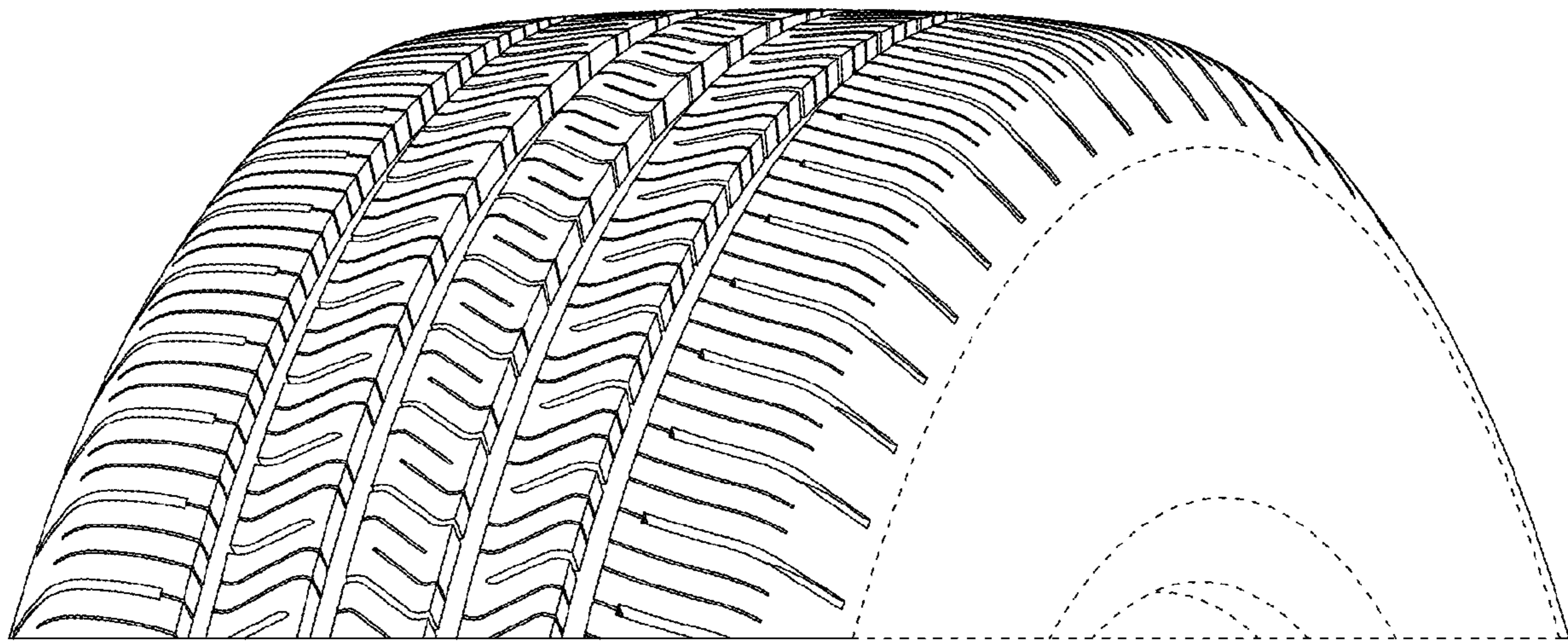


FIG. 5

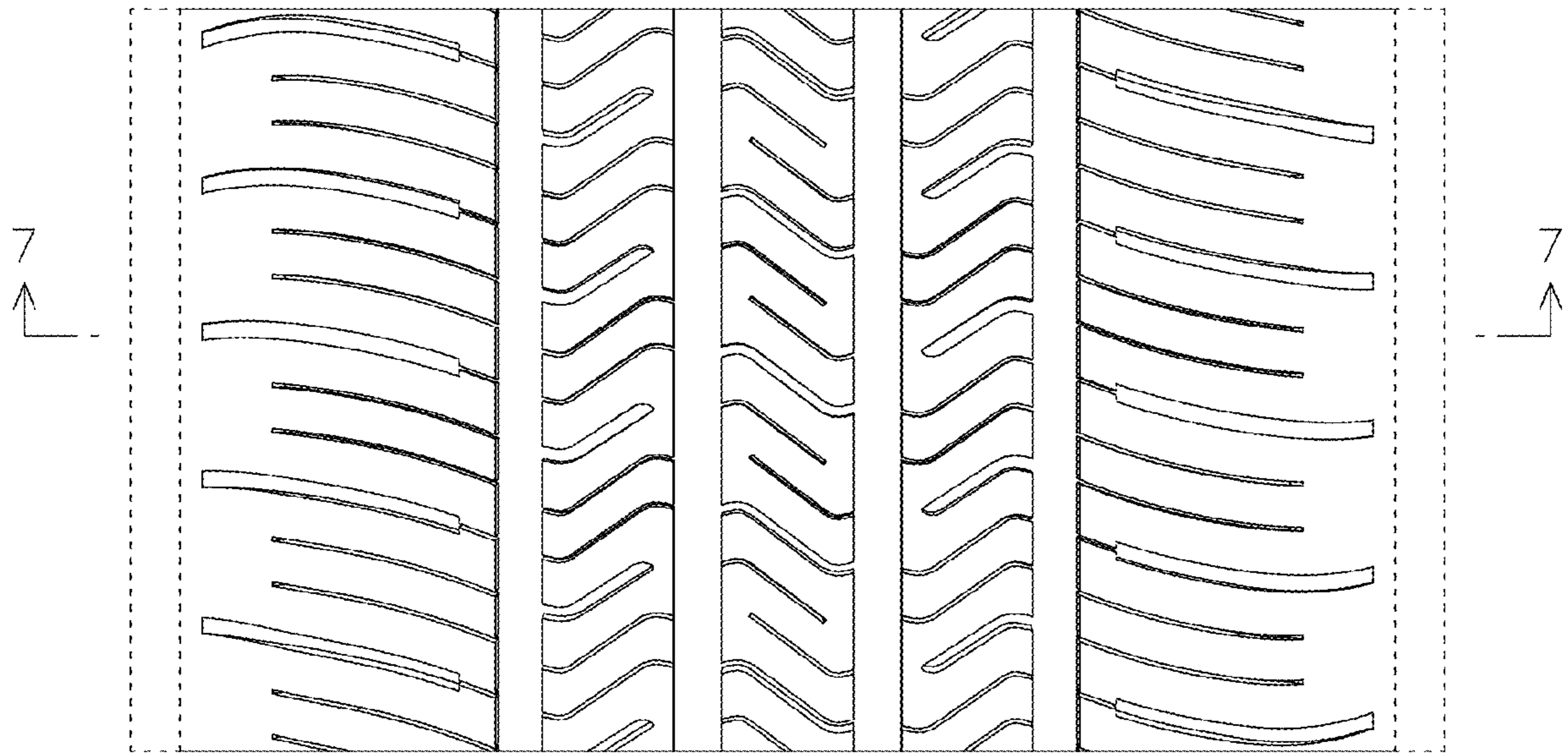


FIG. 6

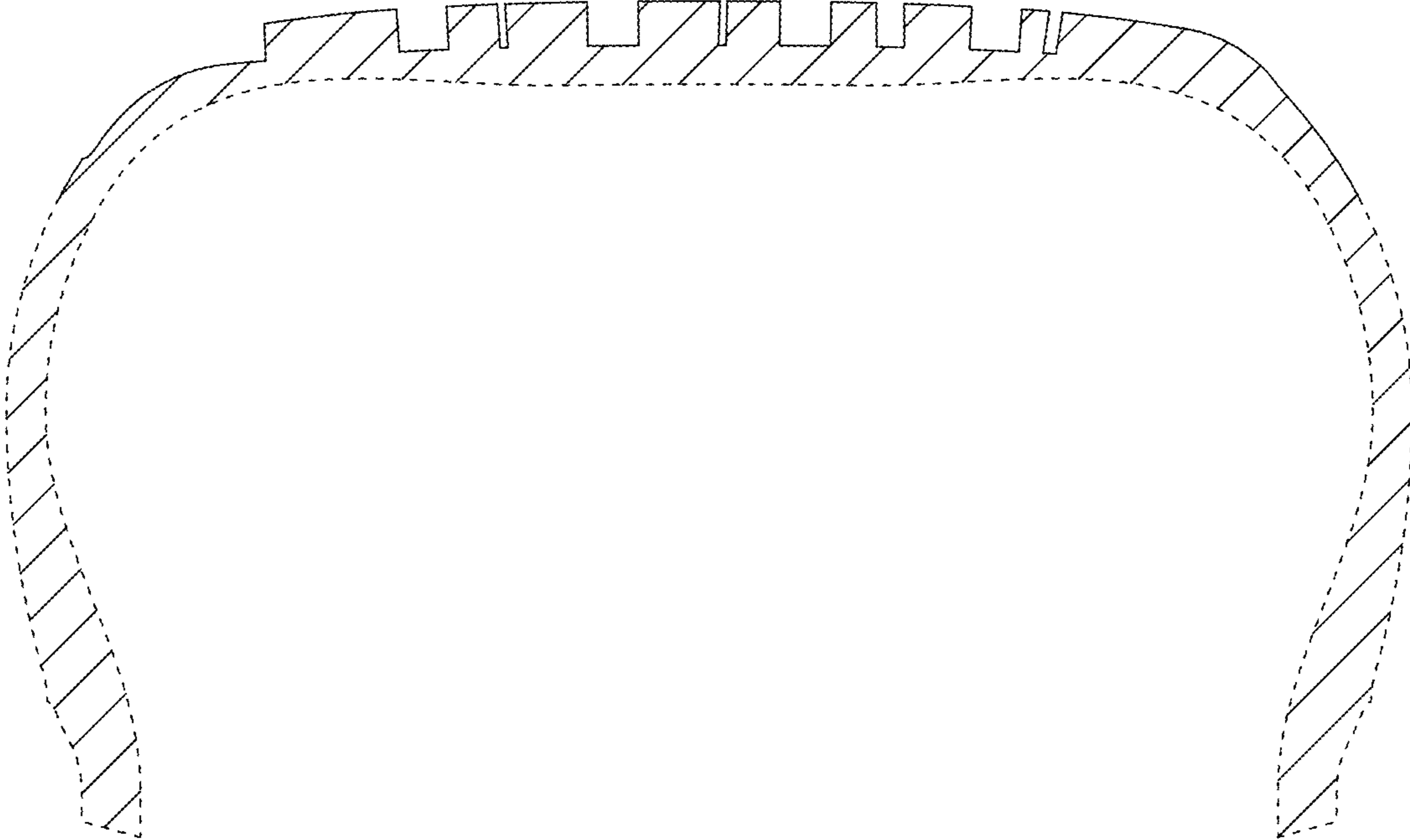


FIG. 7

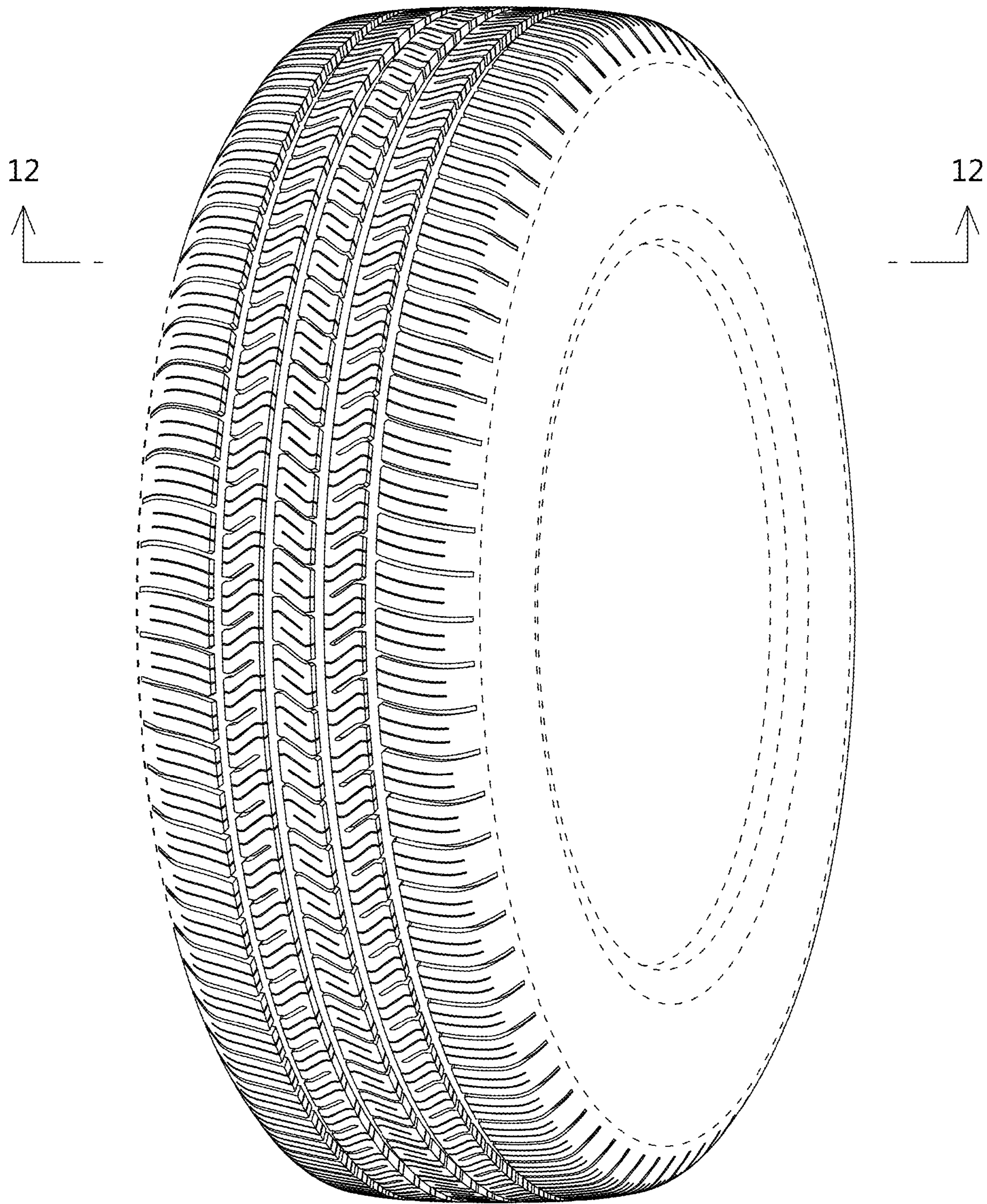


FIG. 8

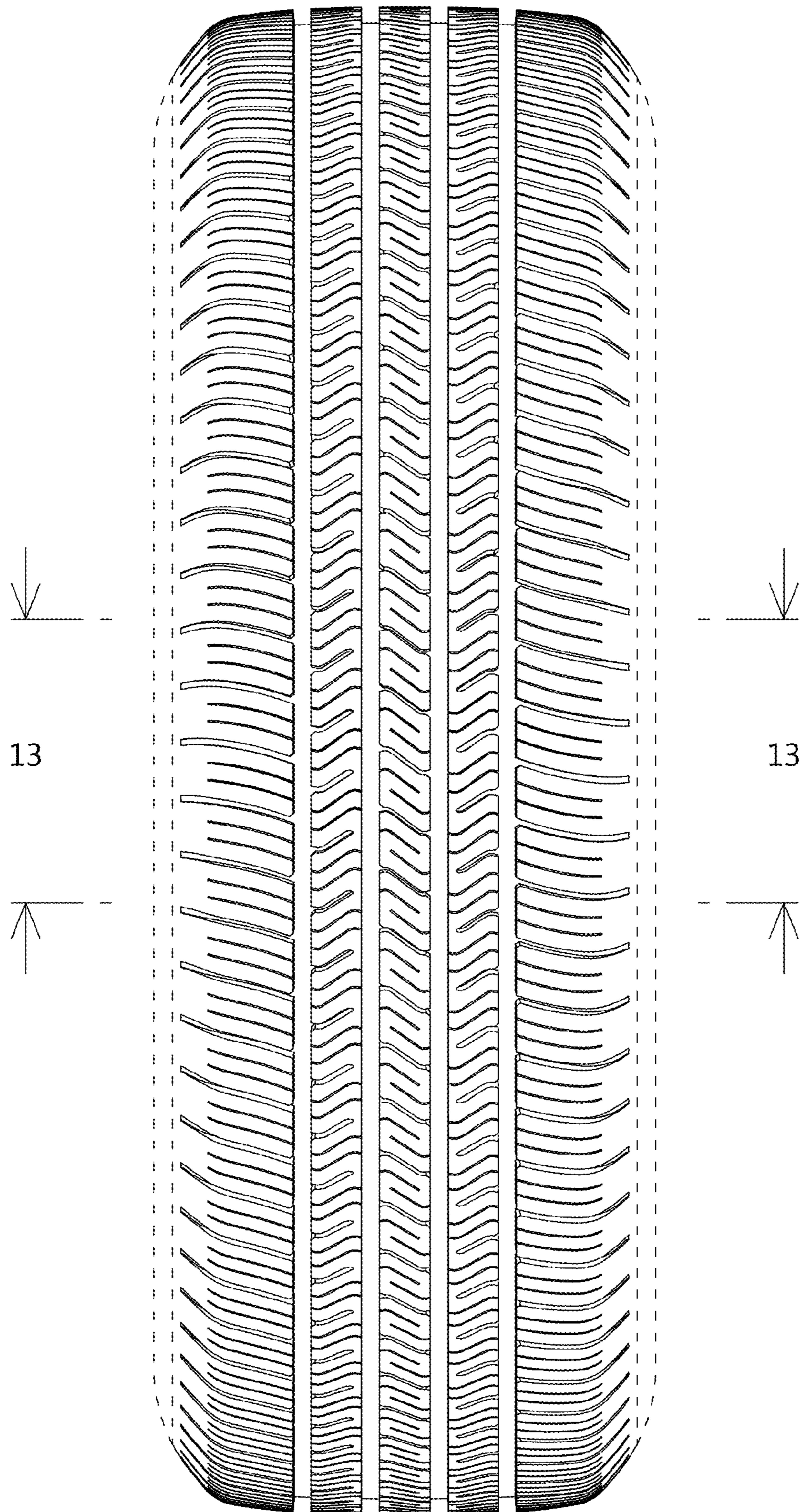


FIG. 9

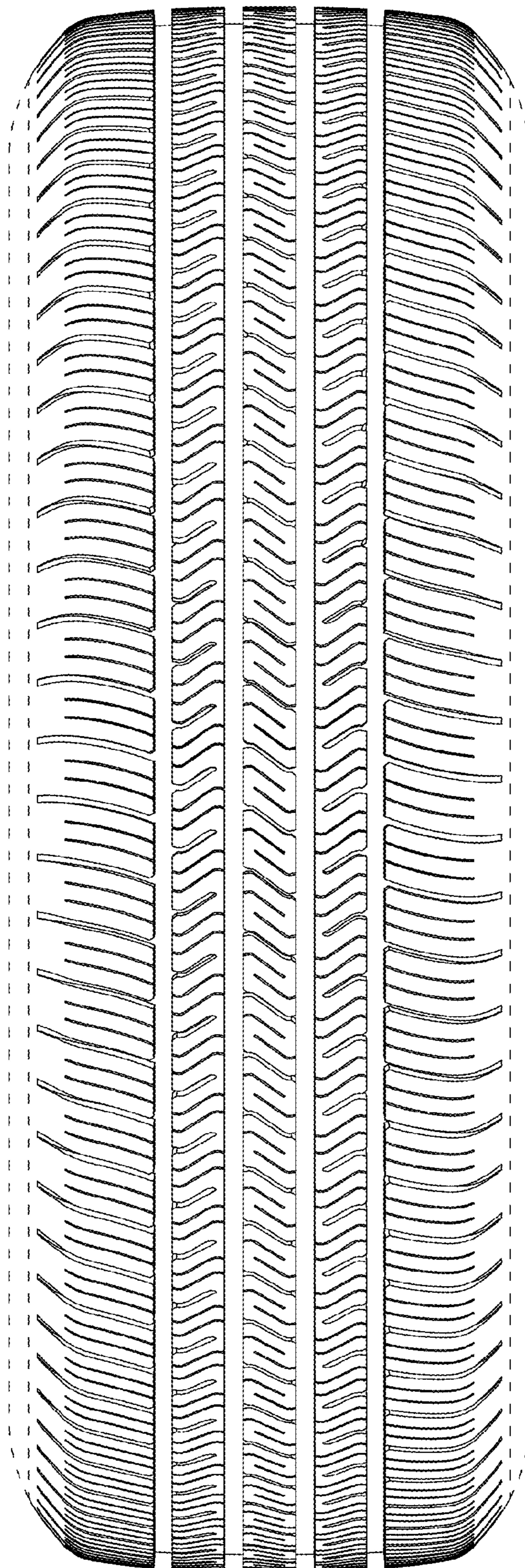


FIG. 10

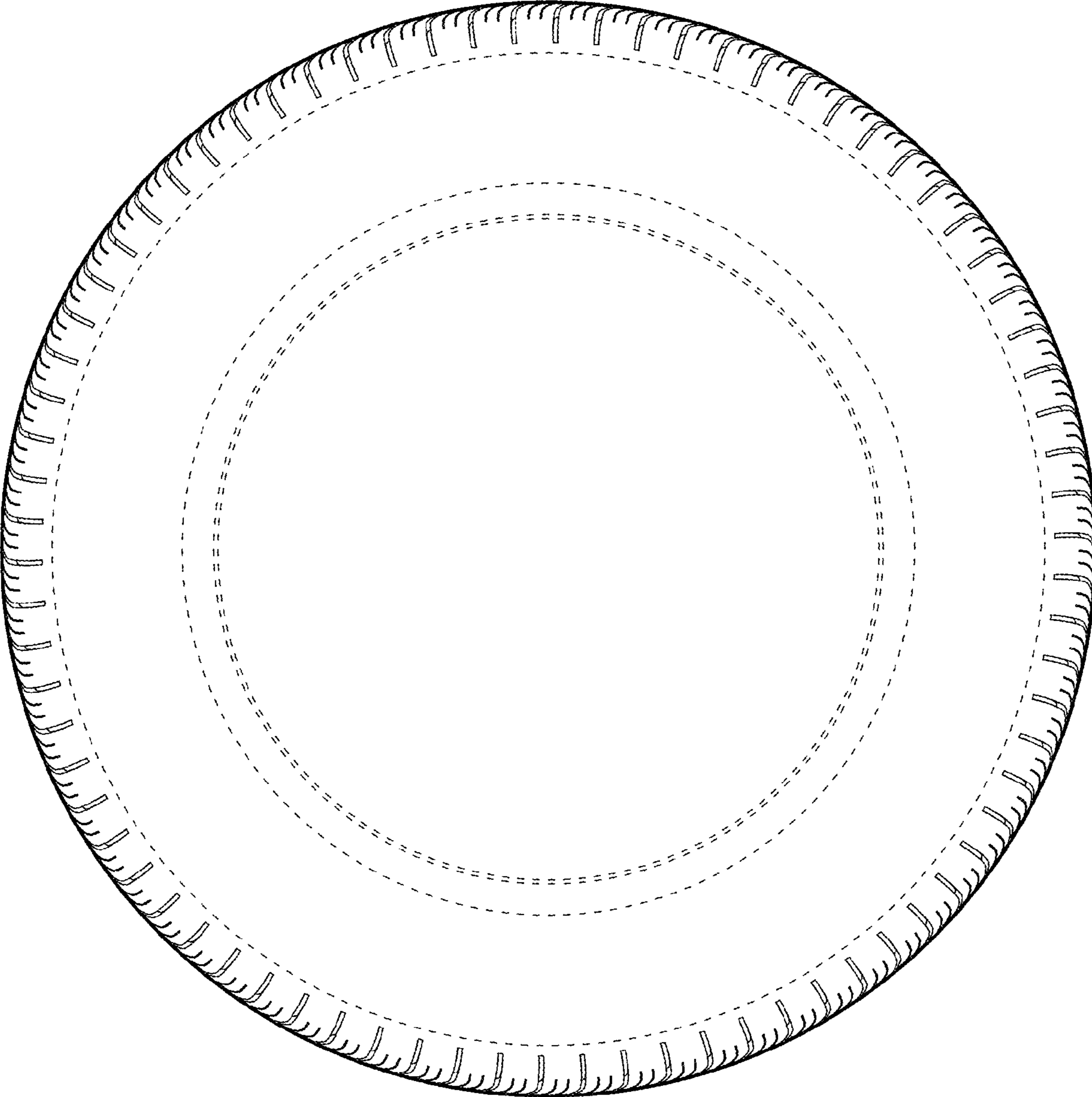


FIG. 11

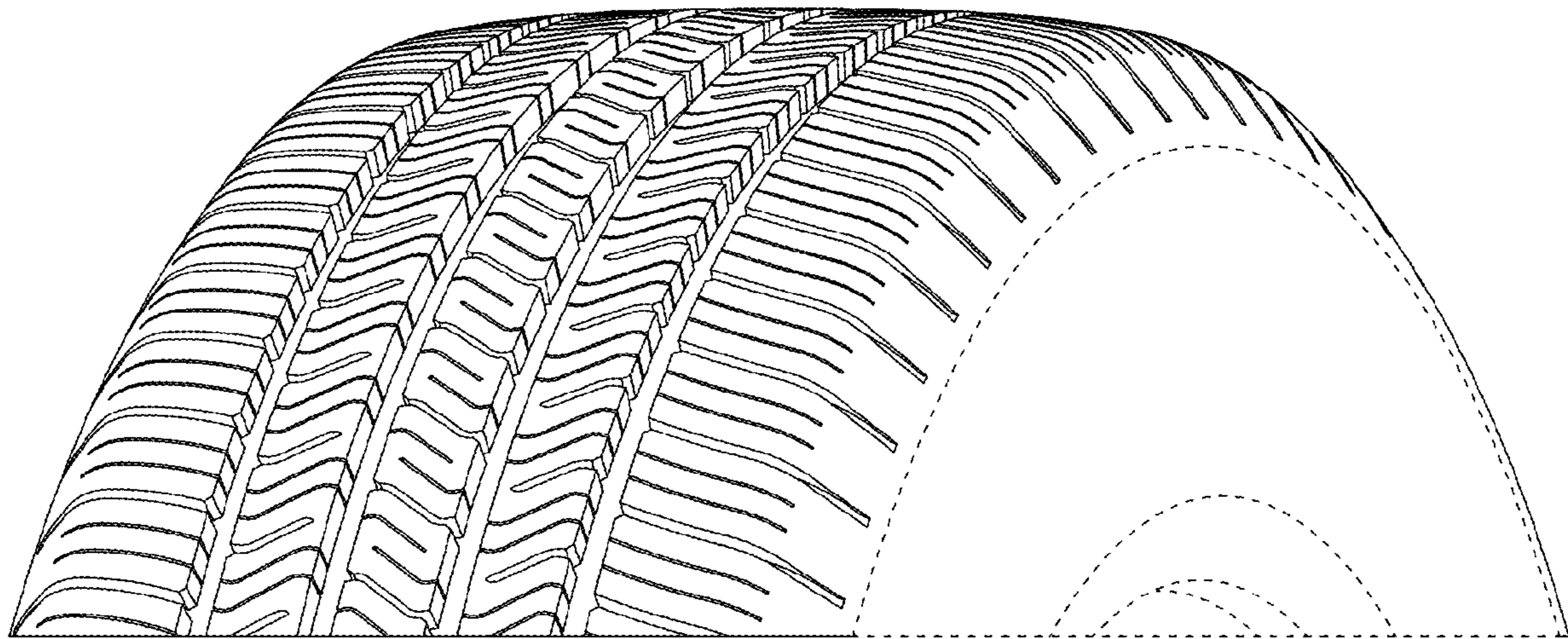


FIG. 12

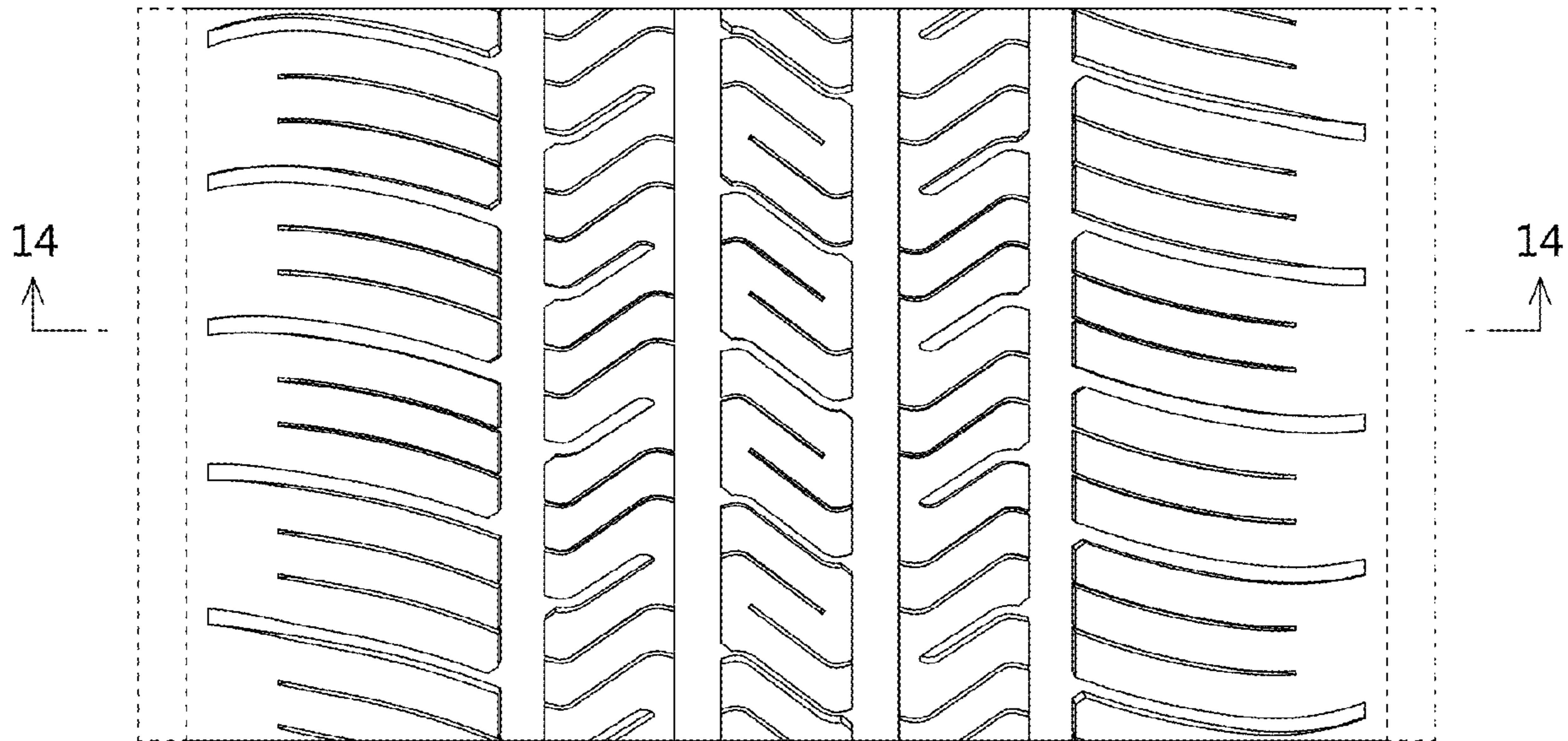


FIG. 13

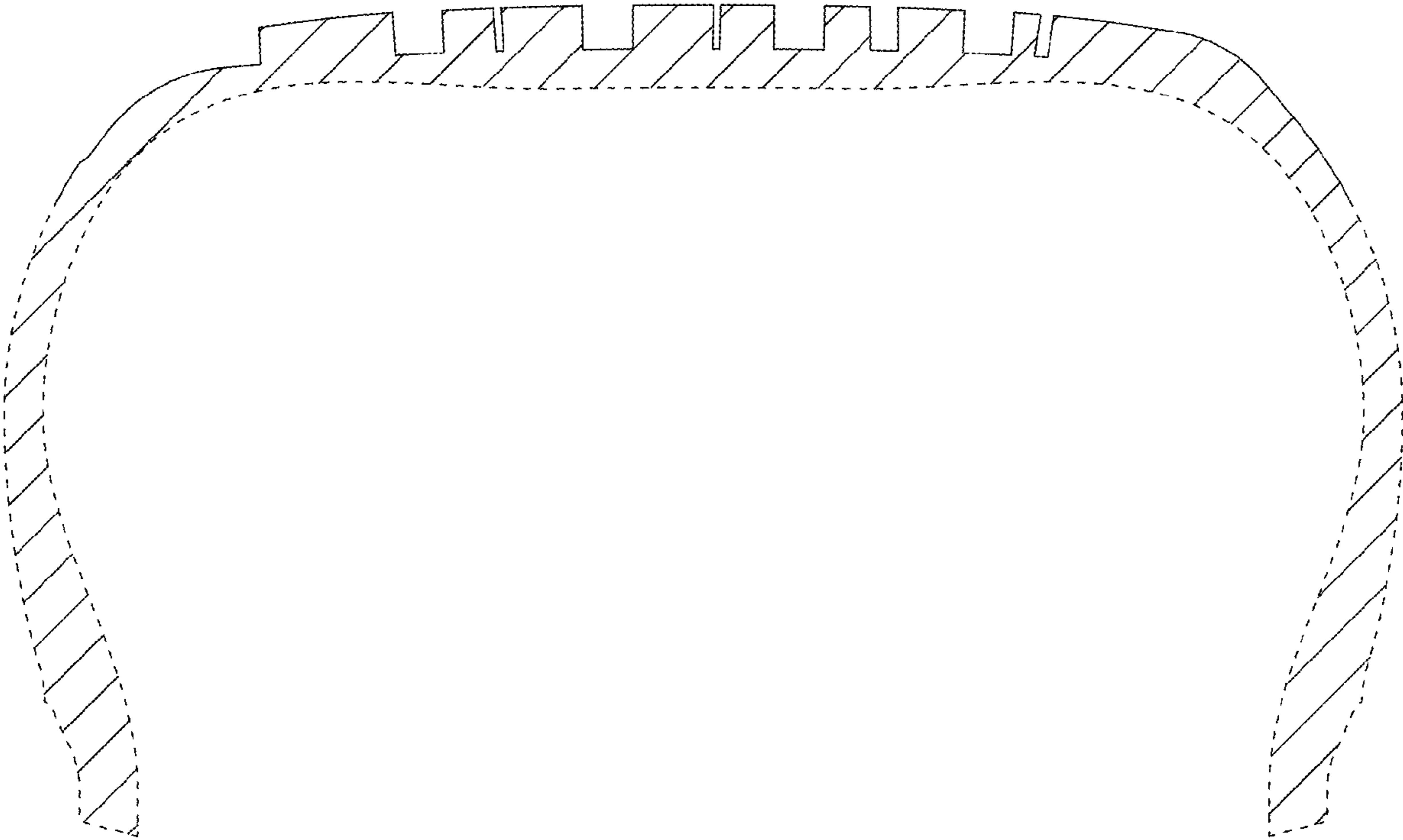


FIG. 14