



US00D894107S

(12) **United States Design Patent**  
**Takahashi**

(10) **Patent No.:** **US D894,107 S**

(45) **Date of Patent:** **\*\* Aug. 25, 2020**

(54) **TIRE**

(71) Applicant: **Toyo Tire Corporation**, Itami-shi,  
Hyogo (JP)

(72) Inventor: **Soichi Takahashi**, Itami (JP)

(73) Assignee: **Toyo Tire Corporation**, Itami-shi (JP)

(\*\*) Term: **15 Years**

(21) Appl. No.: **29/689,336**

(22) Filed: **Apr. 29, 2019**

(30) **Foreign Application Priority Data**

Nov. 21, 2018 (JP) ..... 2018-025419

(51) **LOC (12) Cl.** ..... **12-15**

(52) **U.S. Cl.**  
USPC ..... **D12/584**

(58) **Field of Classification Search**  
USPC ..... D12/572, 582, 583, 584, 585, 590, 596,  
D12/597, 602, 603  
CPC ..... B60C 11/0302; B60C 11/0306; B60C  
2011/0313; B60C 2011/0344; B60C  
2011/0346  
See application file for complete search history.

(56) **References Cited**

**U.S. PATENT DOCUMENTS**

D323,801 S	*	2/1992	Kajita	.....	D12/585
D456,345 S	*	4/2002	Bawin	.....	D12/583
D669,023 S	*	10/2012	Kato	.....	D12/583
D673,109 S	*	12/2012	Miyazaki	.....	D12/584
D682,776 S	*	5/2013	Miyazaki	.....	D12/585
D764,391 S	*	8/2016	Shen	.....	D12/584

D767,482 S	*	9/2016	Kiwaki	.....	D12/584
D813,794 S	*	3/2018	Tanaka	.....	D12/584
D821,296 S	*	6/2018	Tanaka	.....	D12/582
D871,316 S	*	12/2019	Yasunaga	.....	D12/583
D881,797 S	*	4/2020	Konstantinou	.....	D12/584

**FOREIGN PATENT DOCUMENTS**

JP	1477966 S	8/2013
JP	1527964 S	6/2016

\* cited by examiner

*Primary Examiner* — Robert M. Spear

(74) *Attorney, Agent, or Firm* — Sterne, Kessler,  
Goldstein & Fox P.L.L.C.

(57) **CLAIM**

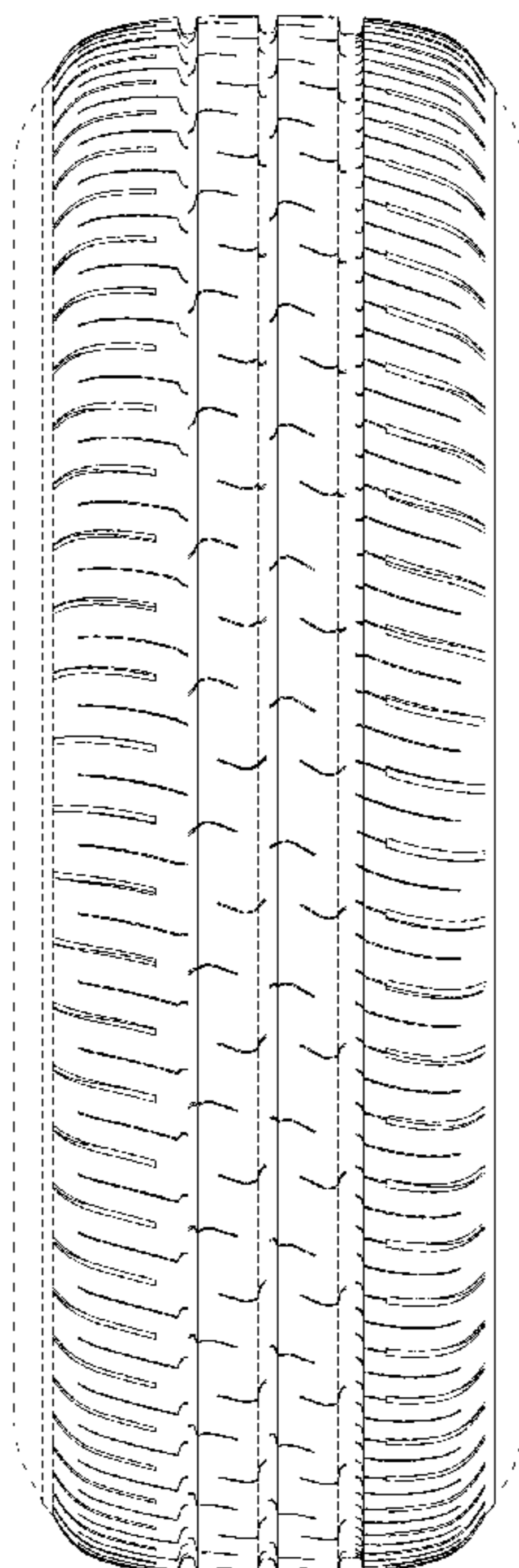
The ornamental design for a tire, as shown and described.

**DESCRIPTION**

FIG. 1 is a front perspective view of a tire showing the claimed design;  
FIG. 2 is a front view thereof;  
FIG. 3 is a rear view thereof;  
FIG. 4 is a top plan view thereof, the bottom plan view being the same;  
FIG. 5 is a right side view thereof;  
FIG. 6 is a left side view thereof;  
FIG. 7 is an enlarged view taken along line 7-7 in FIG. 1;  
FIG. 8 is an enlarged view of the portion 8-8 in FIG. 2; and,  
FIG. 9 is a cross-sectional view taken along line 9-9 in FIG. 8.

In the drawings, the broken lines show portions of the tire that form no part of the claimed design.

**1 Claim, 9 Drawing Sheets**



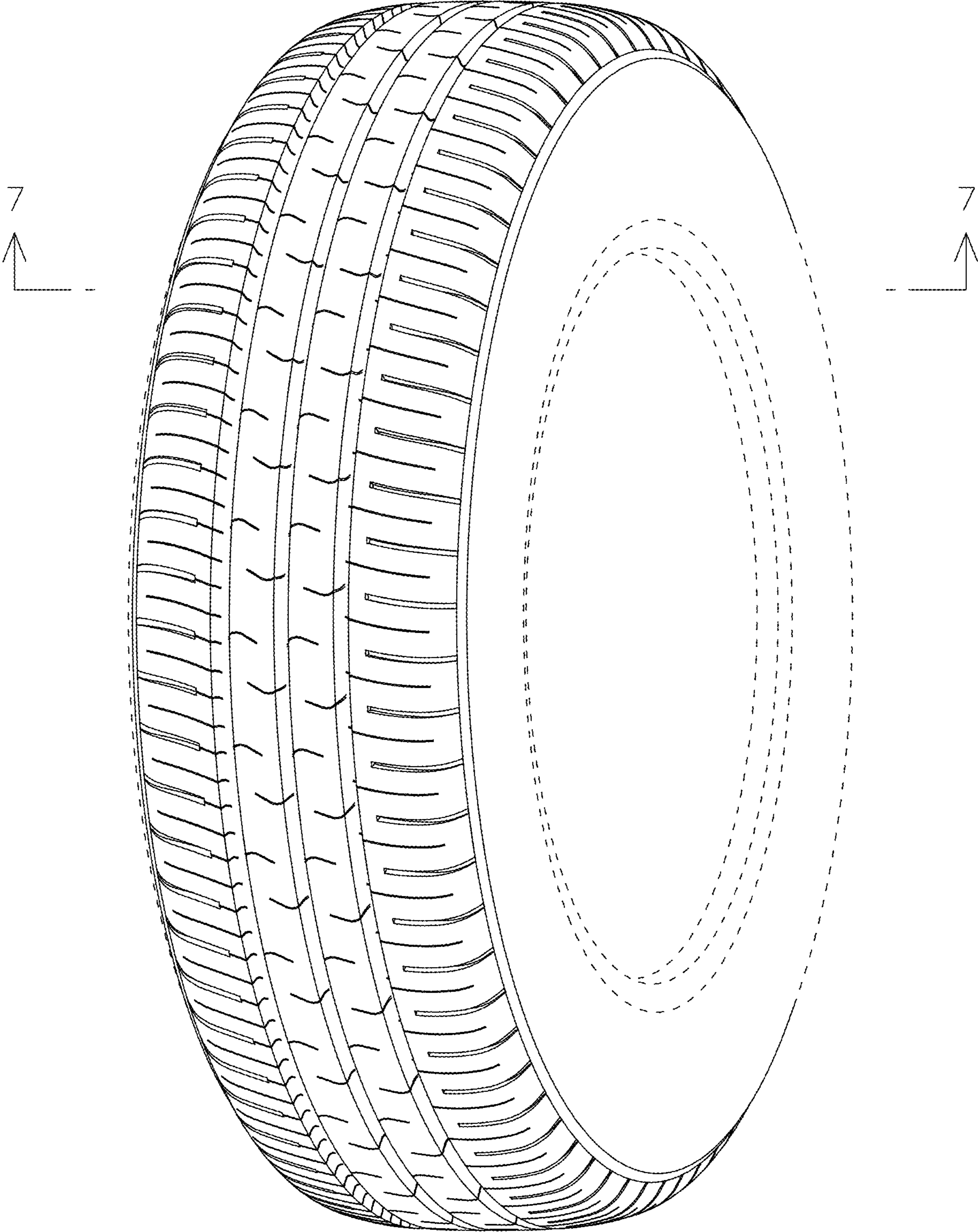


FIG. 1

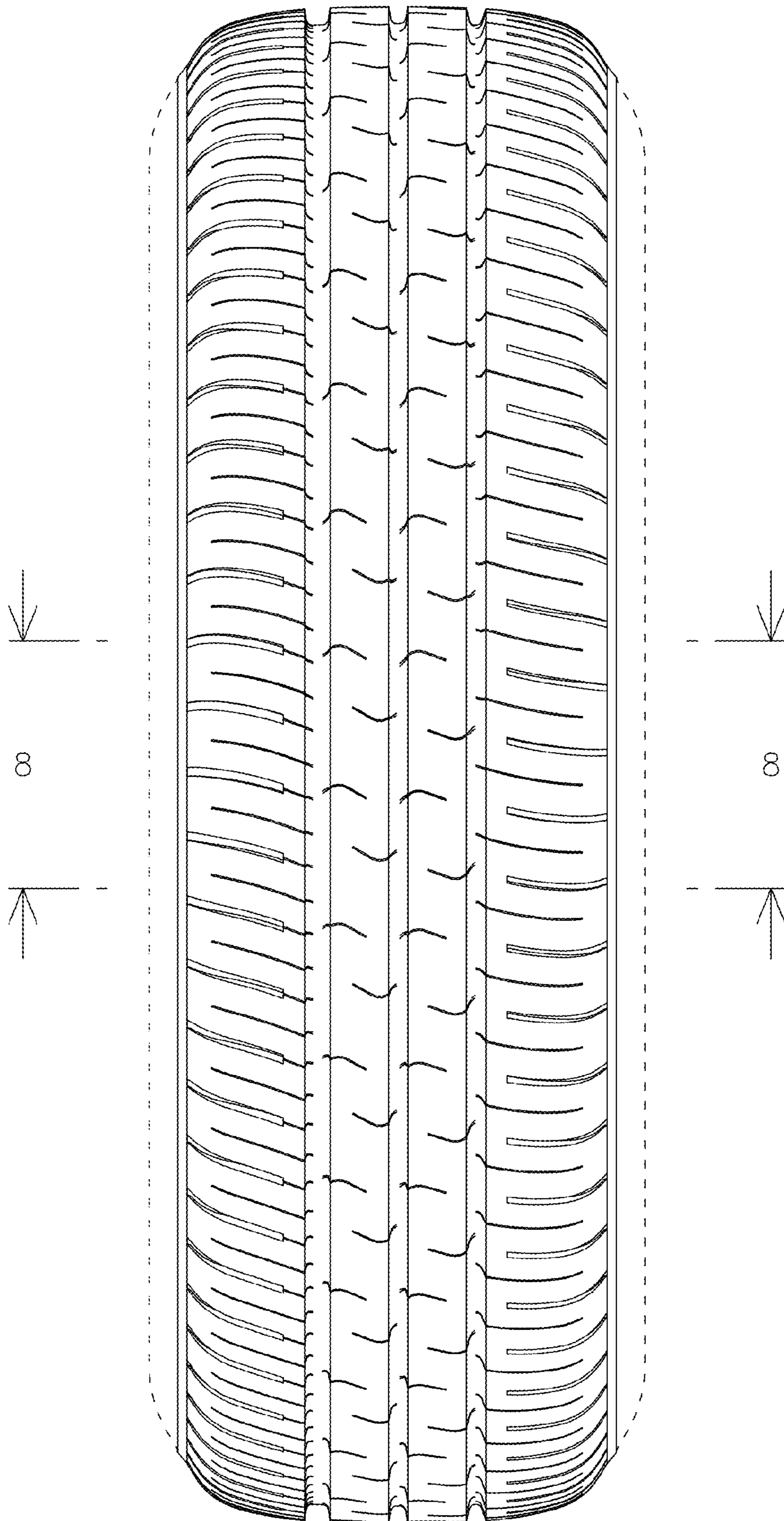


FIG. 2

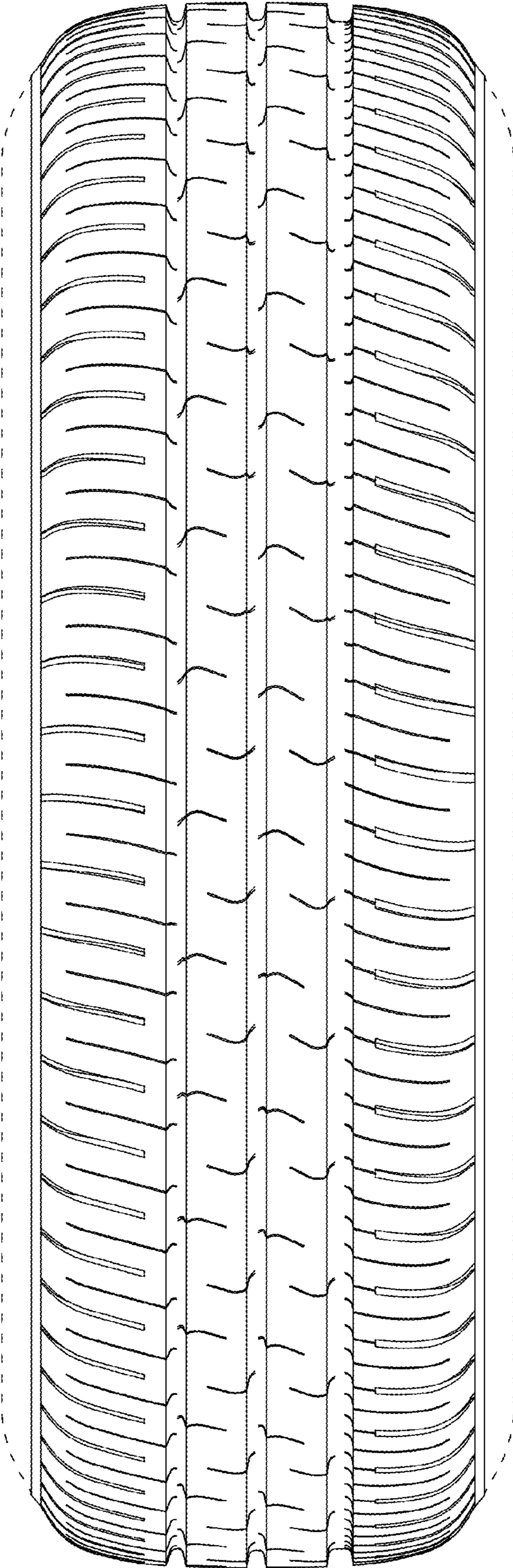


FIG. 3

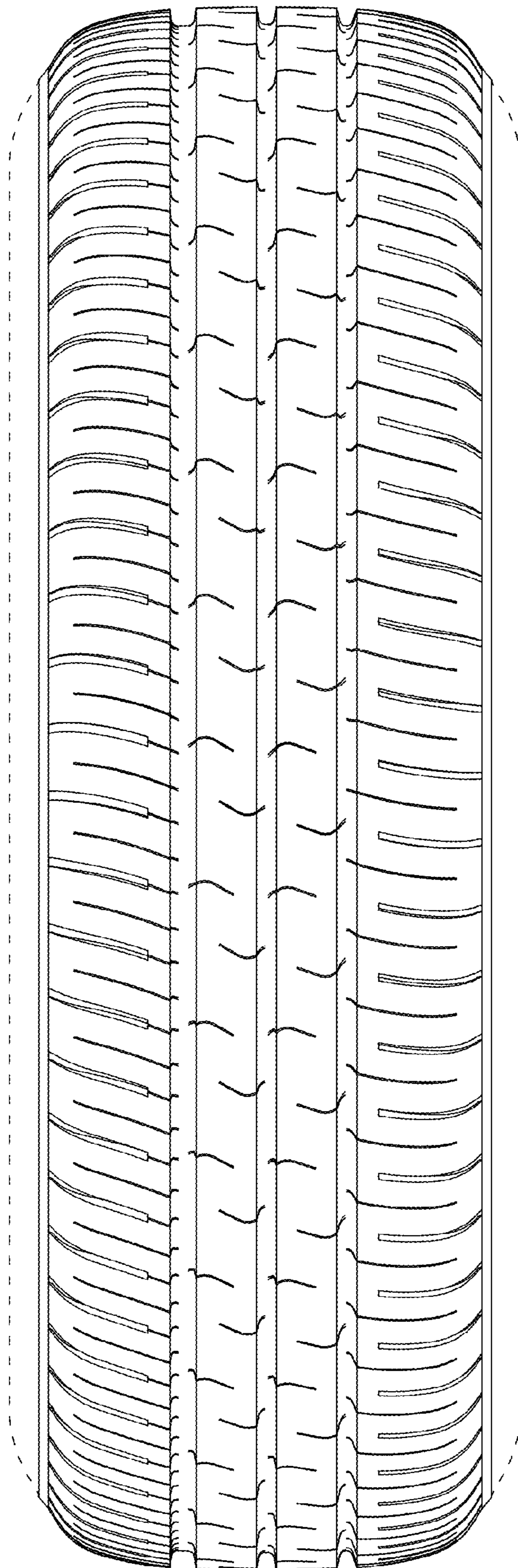


FIG. 4

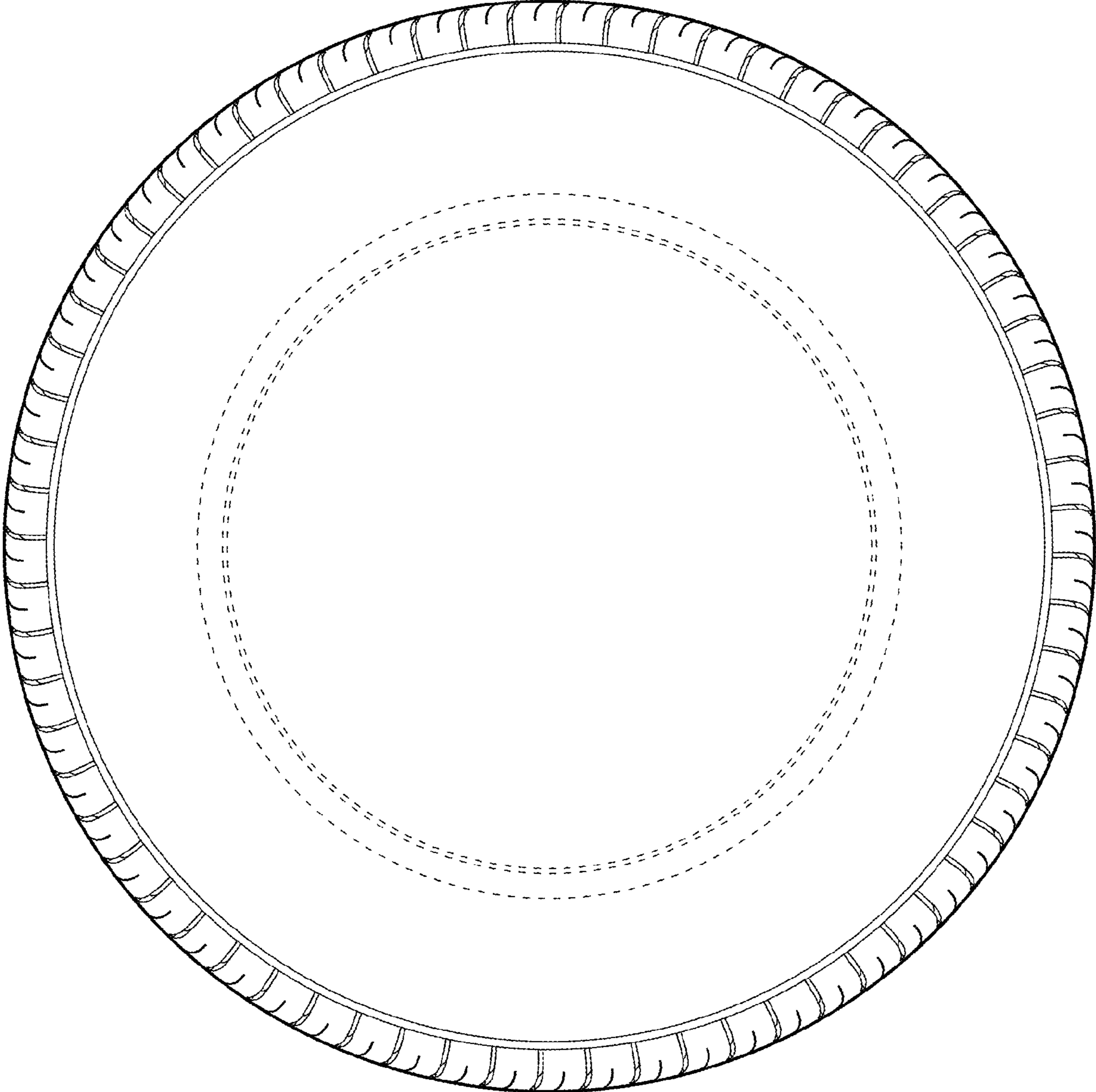


FIG. 5

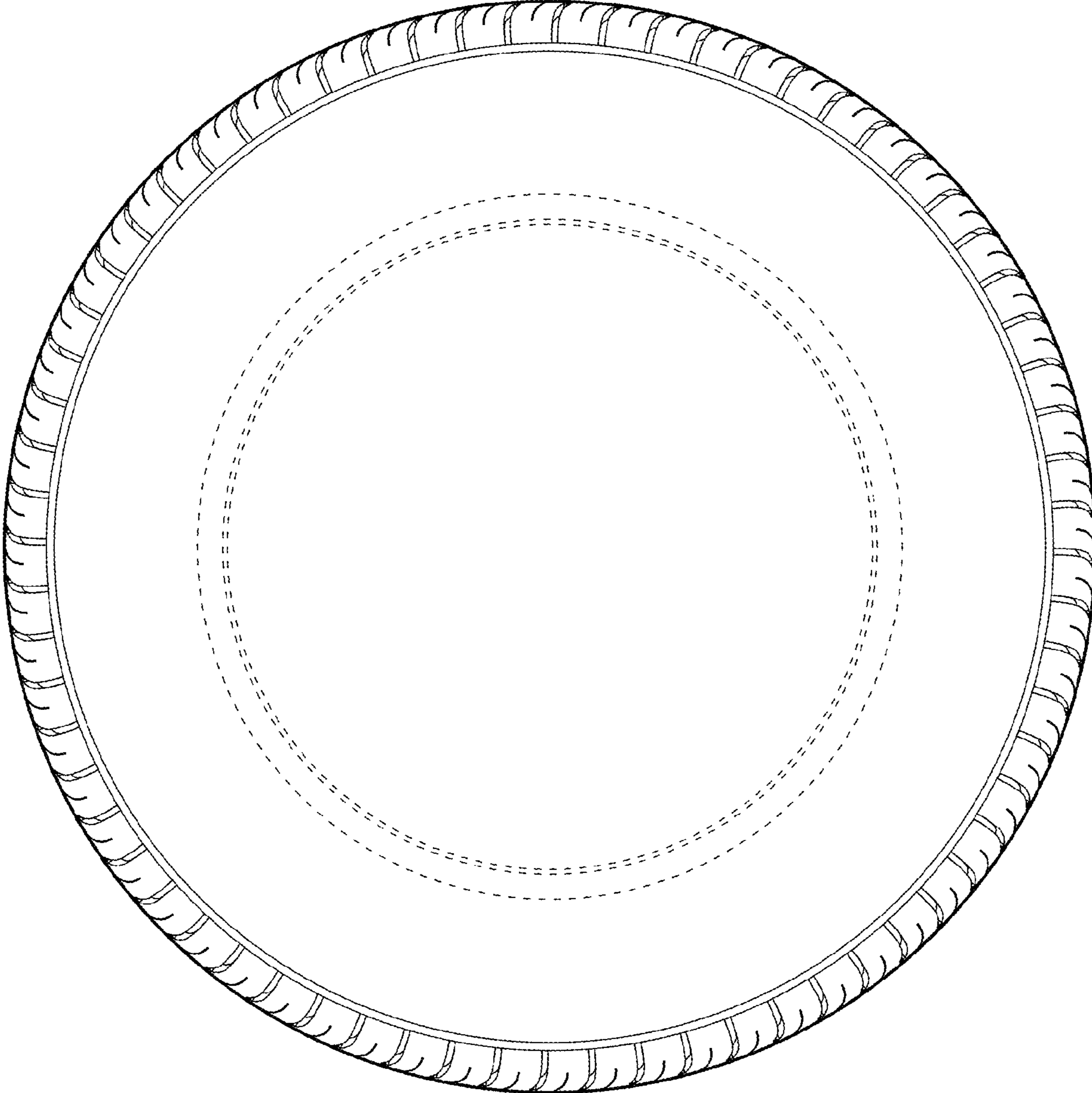


FIG. 6

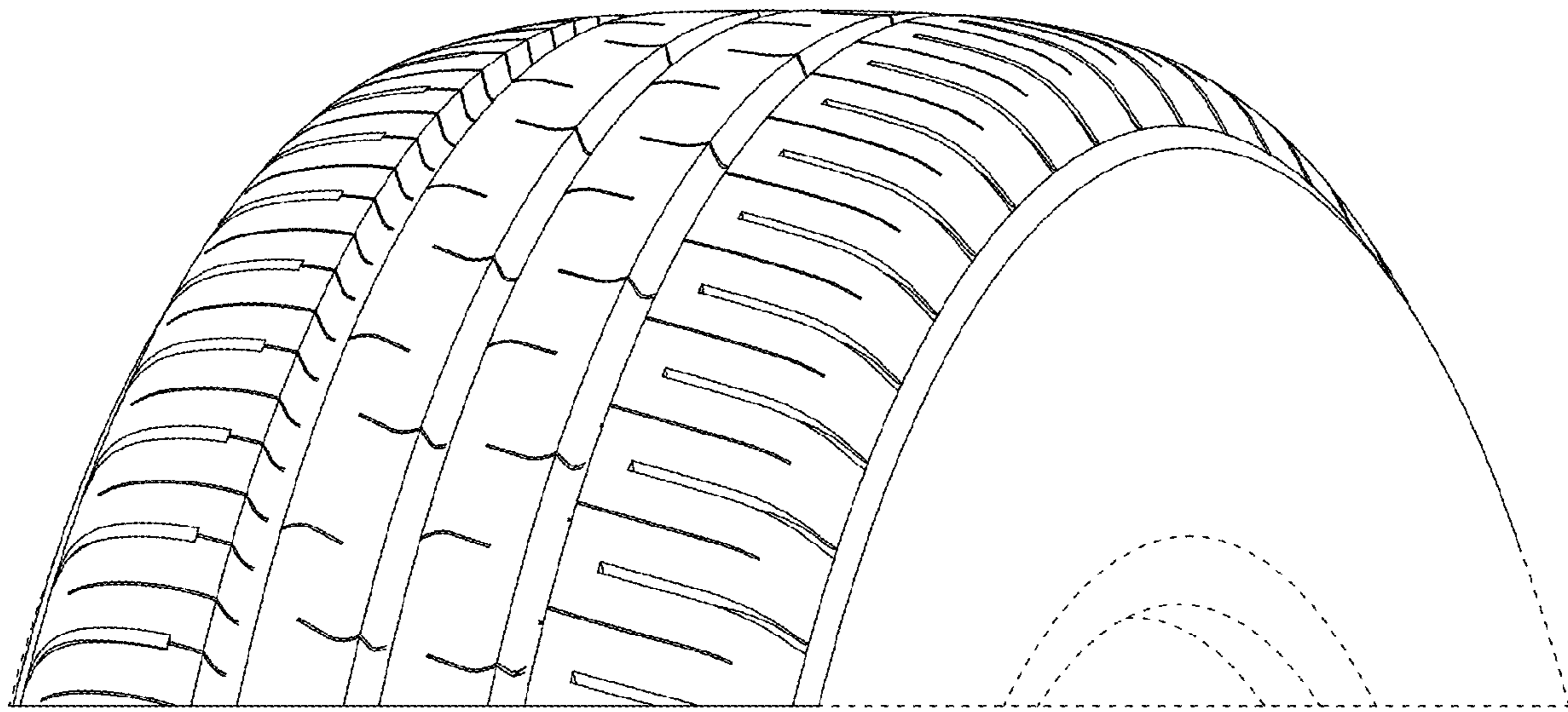


FIG. 7



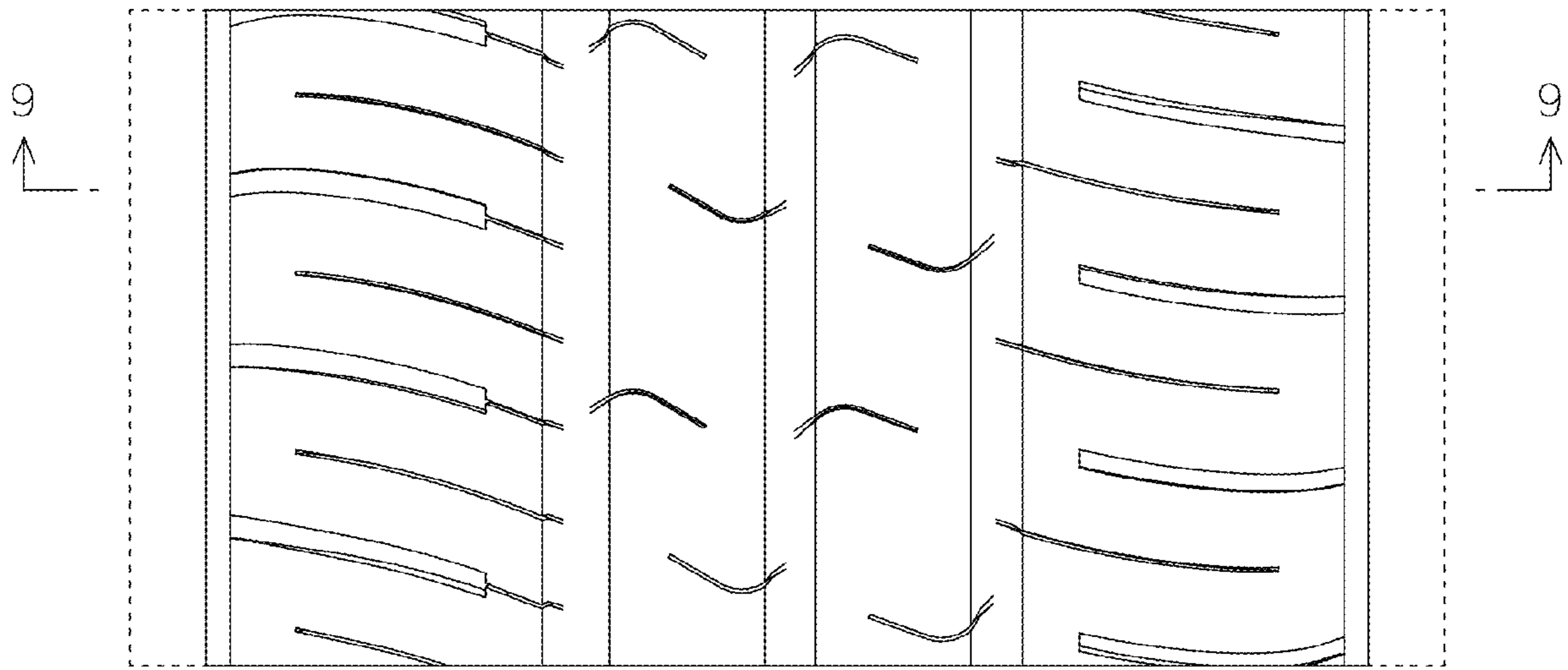


FIG. 8

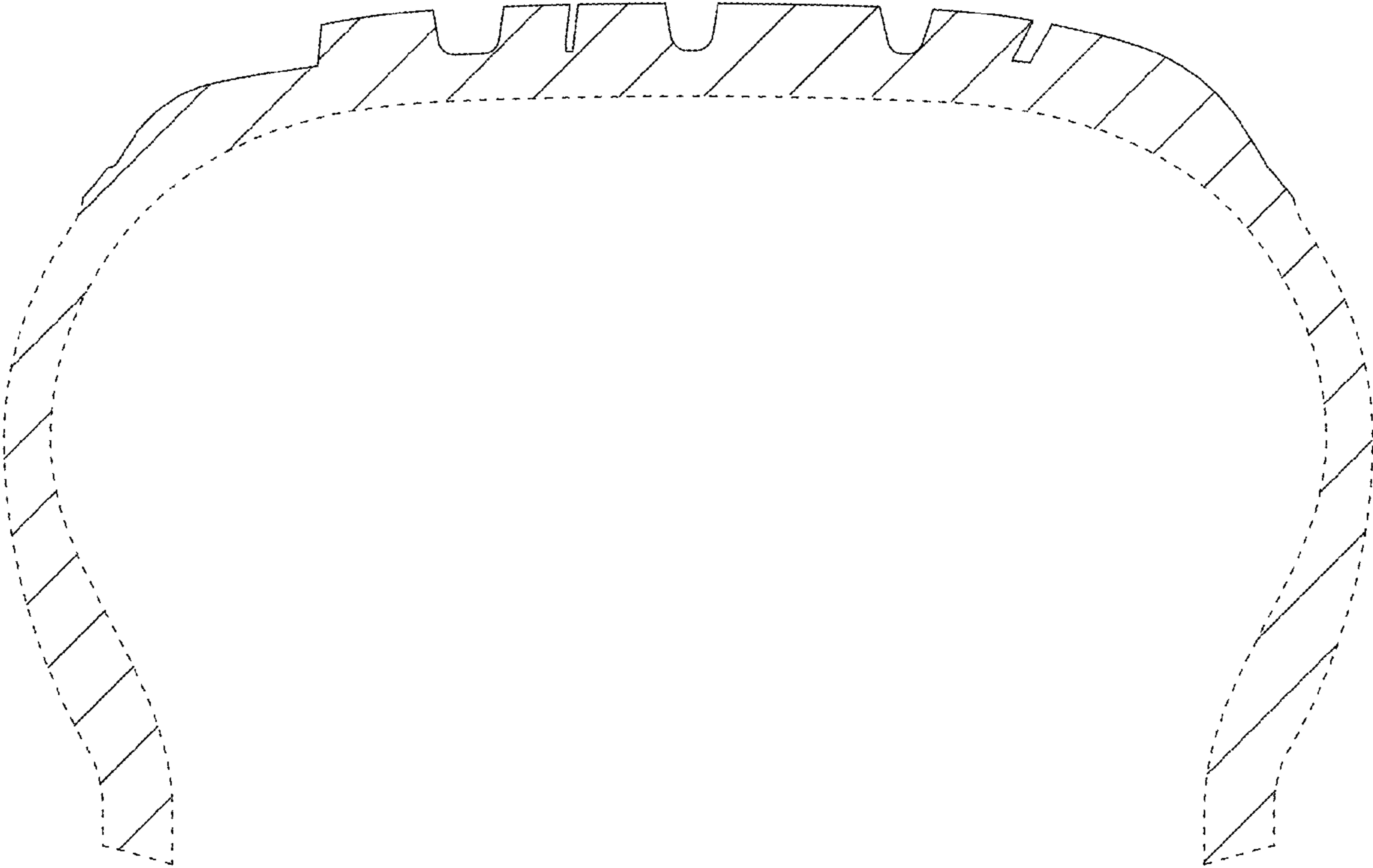


FIG. 9