



US00D894106S

(12) **United States Design Patent**
Takahashi

(10) **Patent No.:** **US D894,106 S**

(45) **Date of Patent:** **** Aug. 25, 2020**

(54) **TIRE**

(71) Applicant: **Toyo Tire Corporation**, Itami-shi,
Hyogo (JP)

(72) Inventor: **Soichi Takahashi**, Itami (JP)

(73) Assignee: **Toyo Tire Corporation**, Itami-shi (JP)

(**) Term: **15 Years**

(21) Appl. No.: **29/689,322**

(22) Filed: **Apr. 29, 2019**

(30) **Foreign Application Priority Data**

Nov. 12, 2018 (JP) 2018-024729

(51) **LOC (12) Cl.** **12-15**

(52) **U.S. Cl.**
USPC **D12/584**

(58) **Field of Classification Search**
USPC D12/572, 582, 583, 584, 585, 590, 596,
D12/597, 602, 603

CPC B60C 11/0302; B60C 11/0306; B60C
2011/0313; B60C 2011/0344; B60C
2011/0346

See application file for complete search history.

(56) **References Cited**

U.S. PATENT DOCUMENTS

D455,378 S * 4/2002 Wallet D12/584
D458,212 S * 6/2002 Guspodin D12/582
D591,223 S * 4/2009 Missik-Gaffney D12/584
D641,685 S * 7/2011 Youn D12/584
D662,035 S * 6/2012 Delbast D12/584

D665,730 S * 8/2012 Yoshimura D12/584
D760,151 S * 6/2016 Hayashi D12/584
D761,726 S * 7/2016 Umstot D12/603
D766,173 S * 9/2016 Takahashi D12/601

FOREIGN PATENT DOCUMENTS

JP 1030269 S 1/1999
JP 1435471 S 10/2012

* cited by examiner

Primary Examiner — Robert M. Spear

(74) *Attorney, Agent, or Firm* — Sterne, Kessler,
Goldstein & Fox P.L.L.C.

(57) **CLAIM**

The ornamental design for a tire, as shown and described.

DESCRIPTION

FIG. 1 is a front perspective view of a tire showing the claimed design;

FIG. 2 is a front view thereof;

FIG. 3 is a rear view thereof;

FIG. 4 is a top plan view thereof;

FIG. 5 is a bottom plan view thereof;

FIG. 6 is a right side view thereof;

FIG. 7 is a left side view thereof;

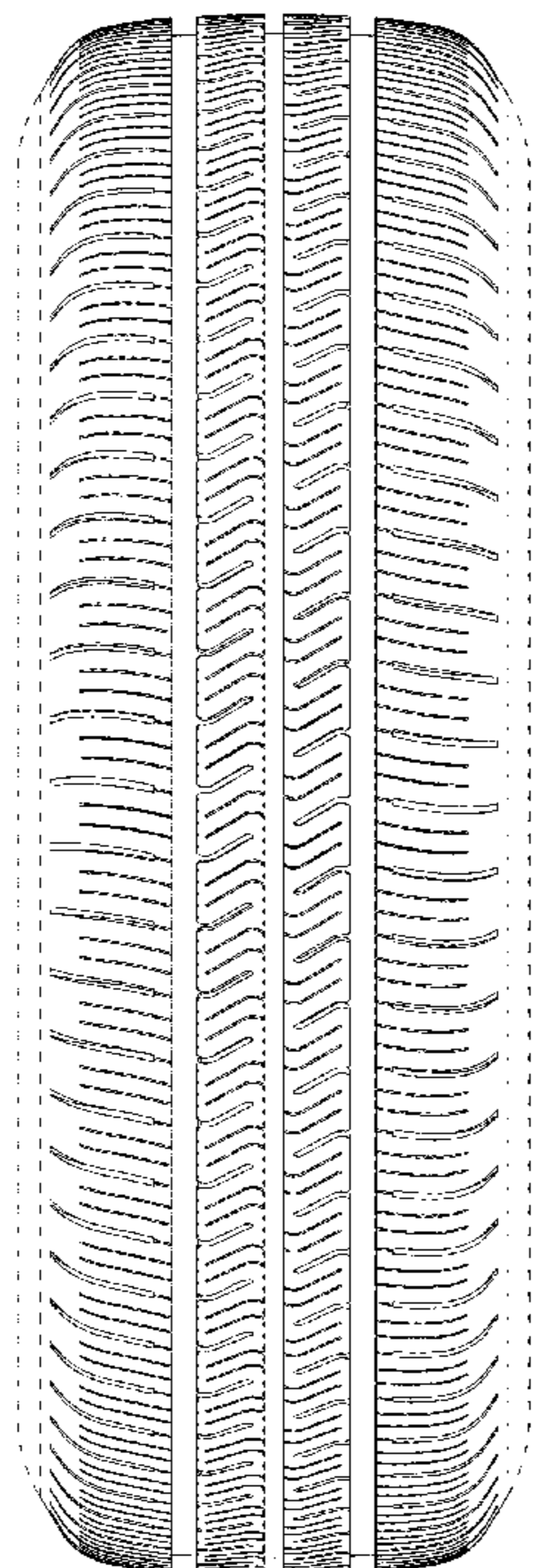
FIG. 8 is an enlarged view taken along line 8-8 in FIG. 1;

FIG. 9 is an enlarged view of the portion 9-9 in FIG. 2; and,

FIG. 10 is a cross-sectional view taken along line 10-10 in FIG. 9.

In the drawings, the broken lines show portions of the tire that form no part of the claimed design. The outermost broken lines of the sidewall form the boundary of the claim and form no part thereof.

1 Claim, 10 Drawing Sheets



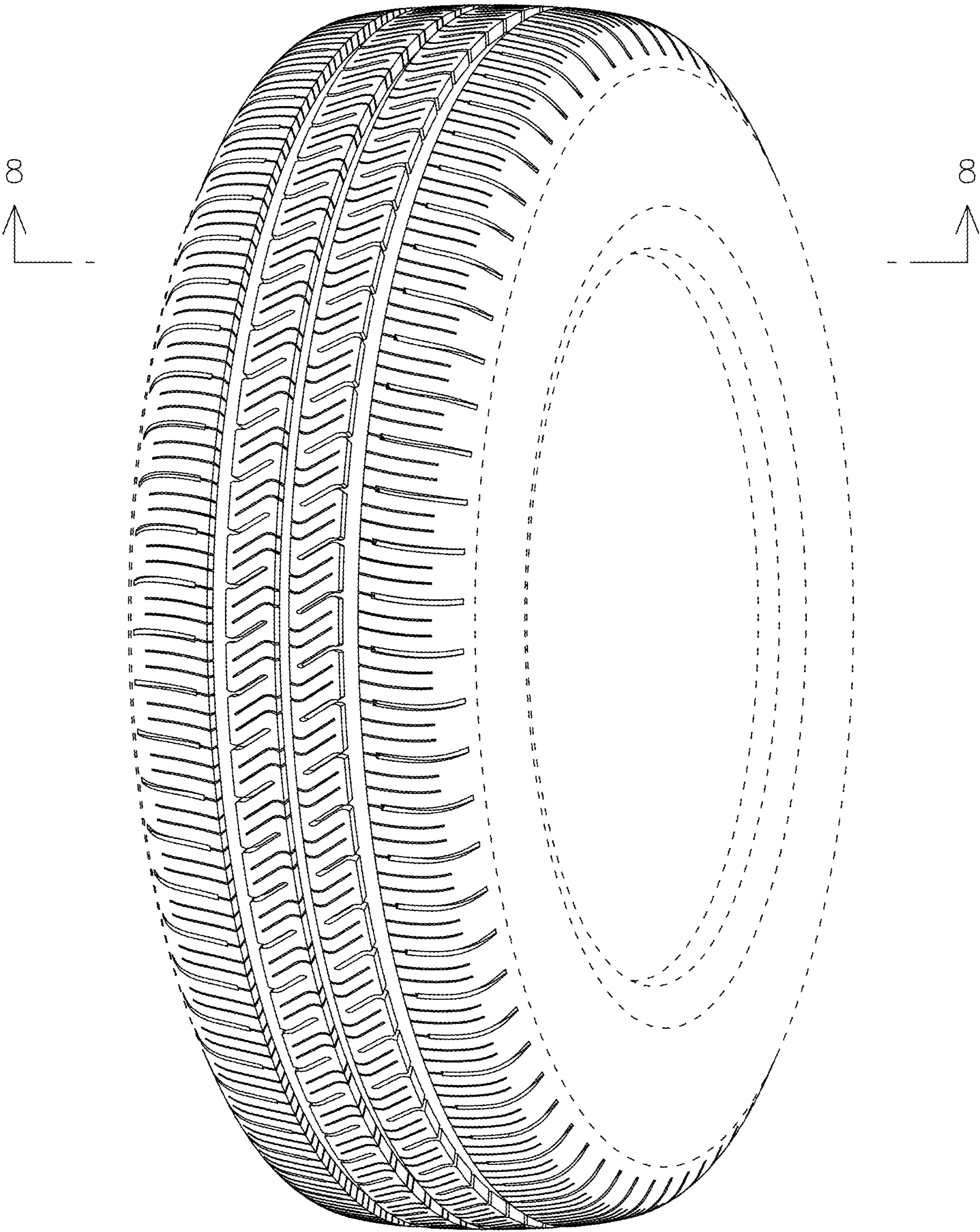


FIG. 1

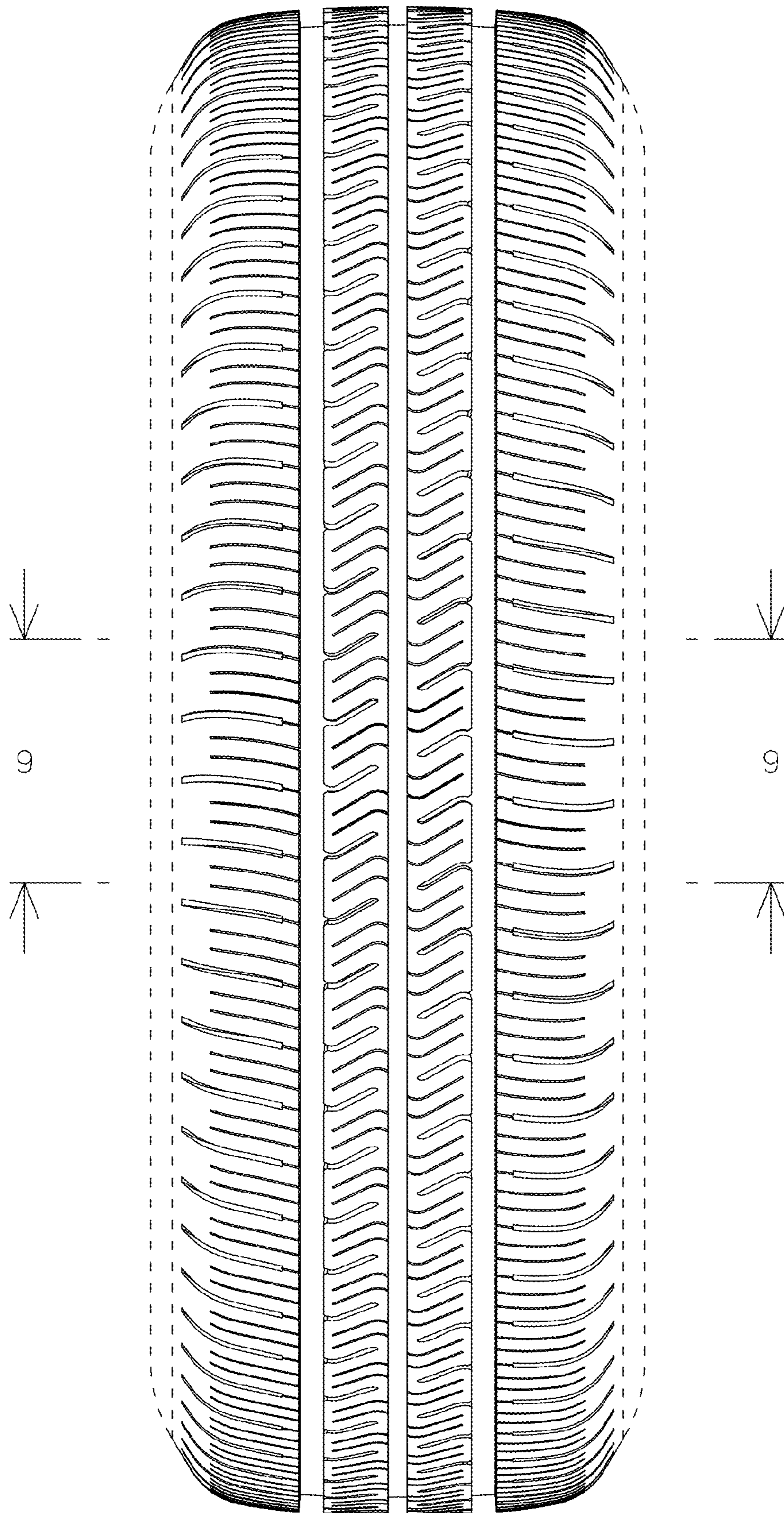


FIG. 2

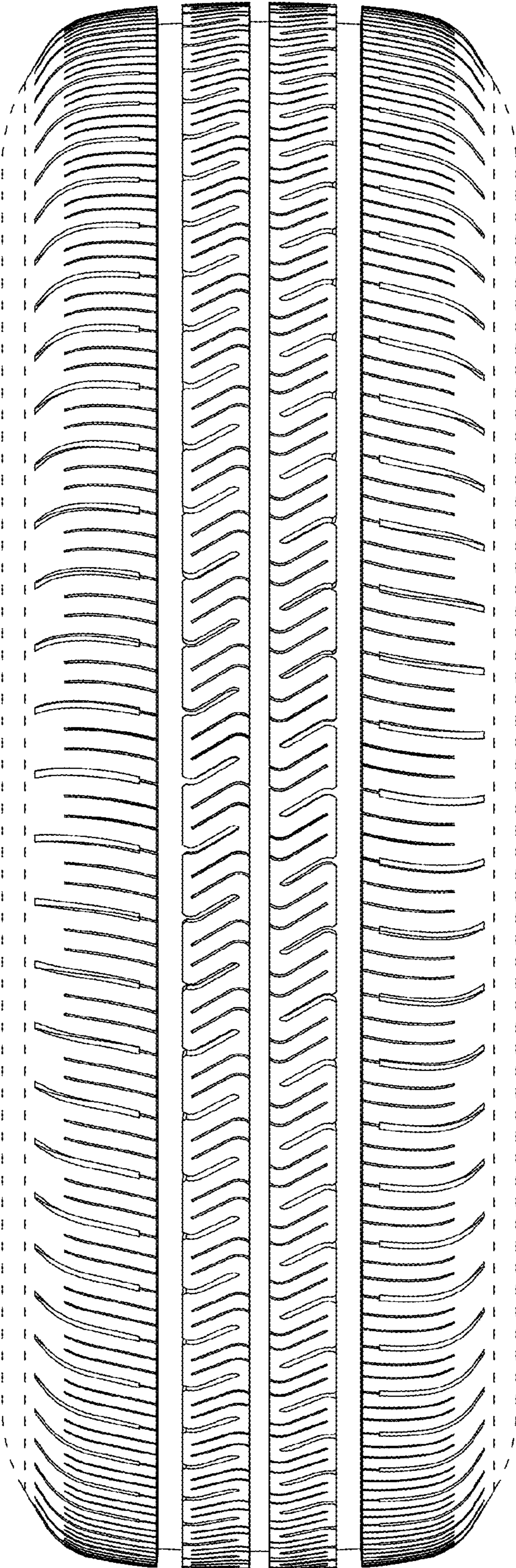


FIG. 3

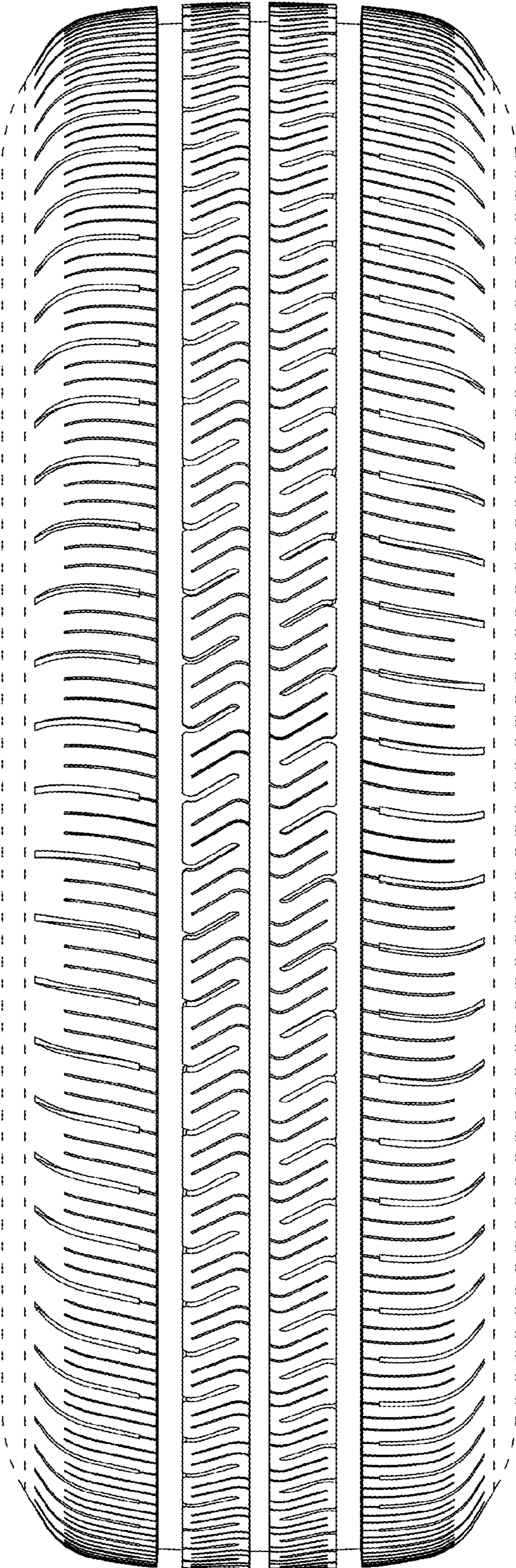


FIG. 4

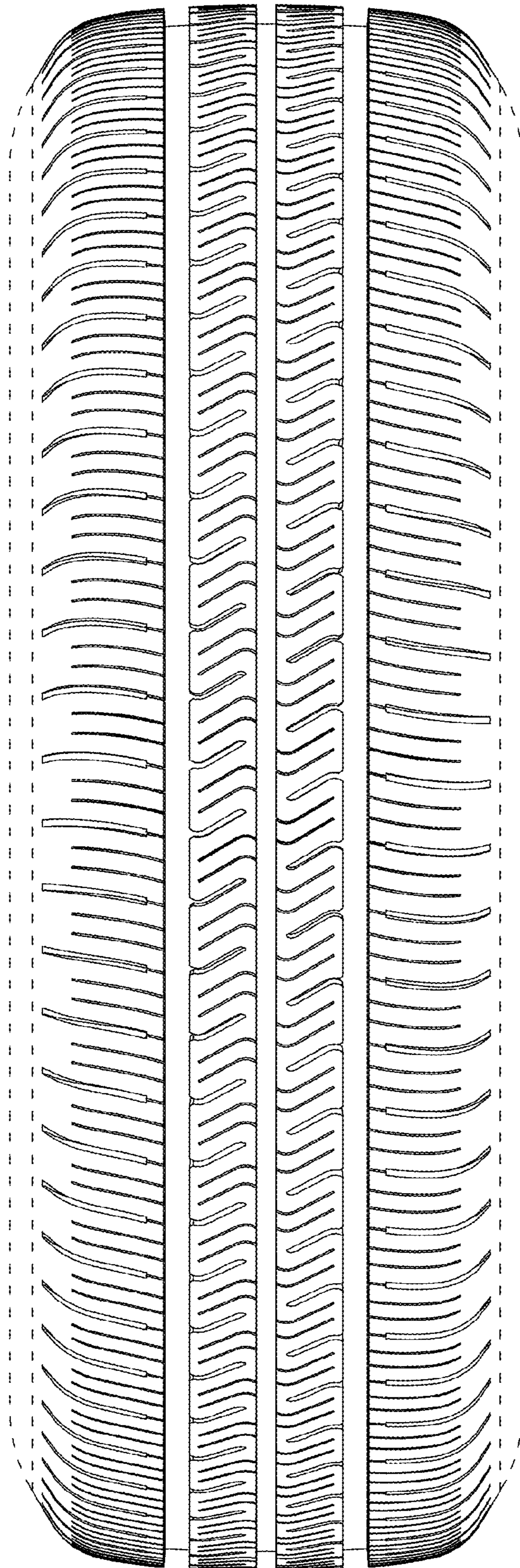


FIG. 5

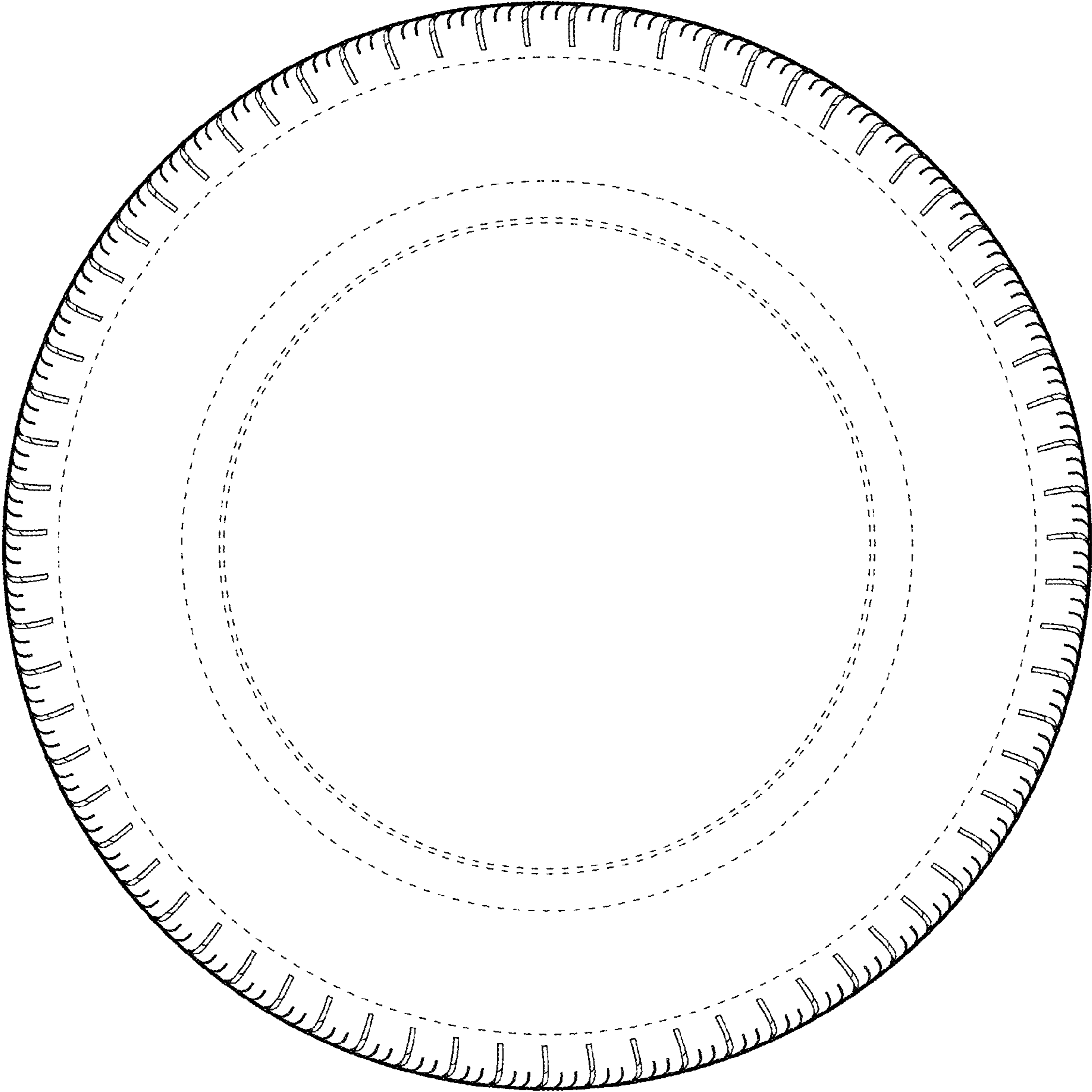


FIG. 6

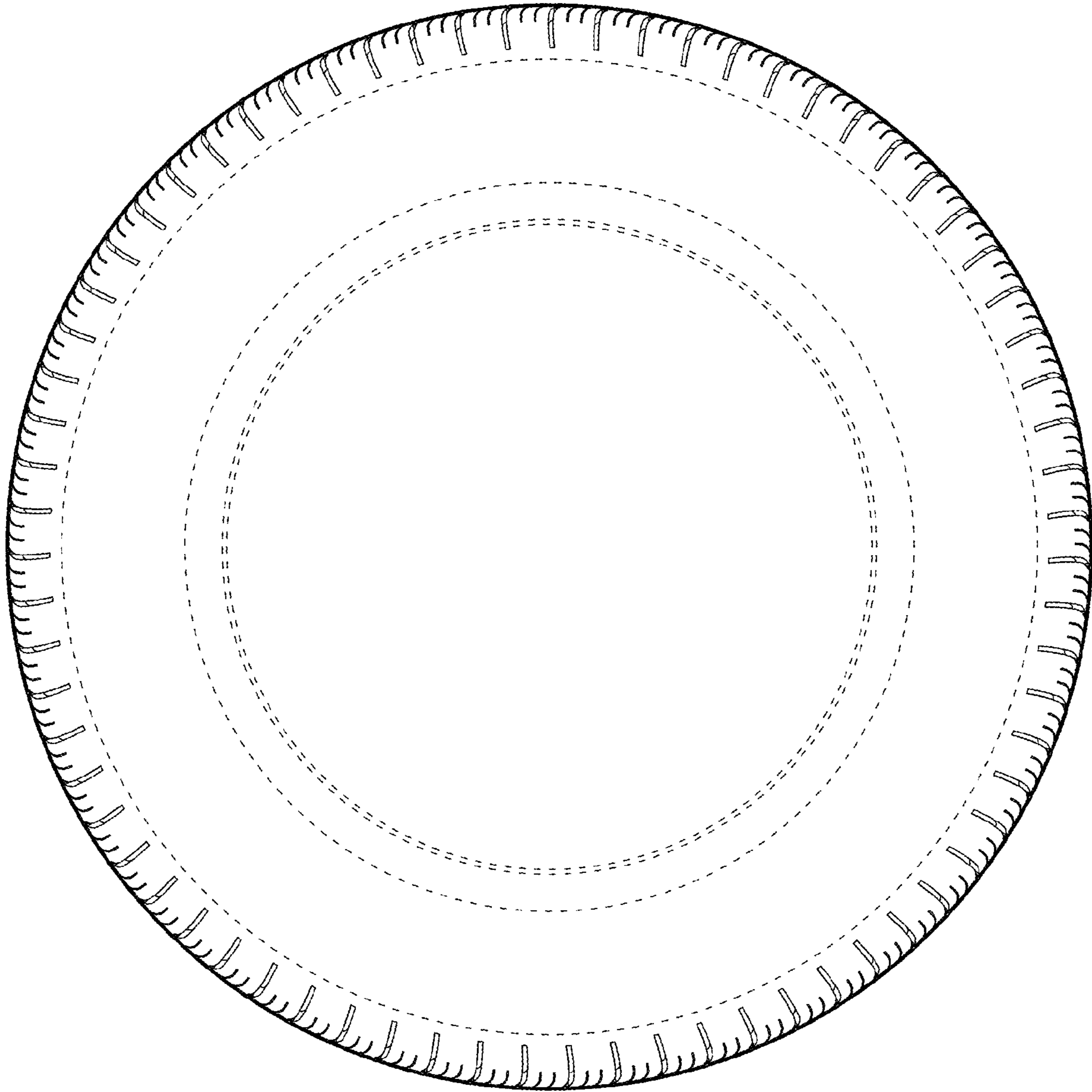


FIG. 7

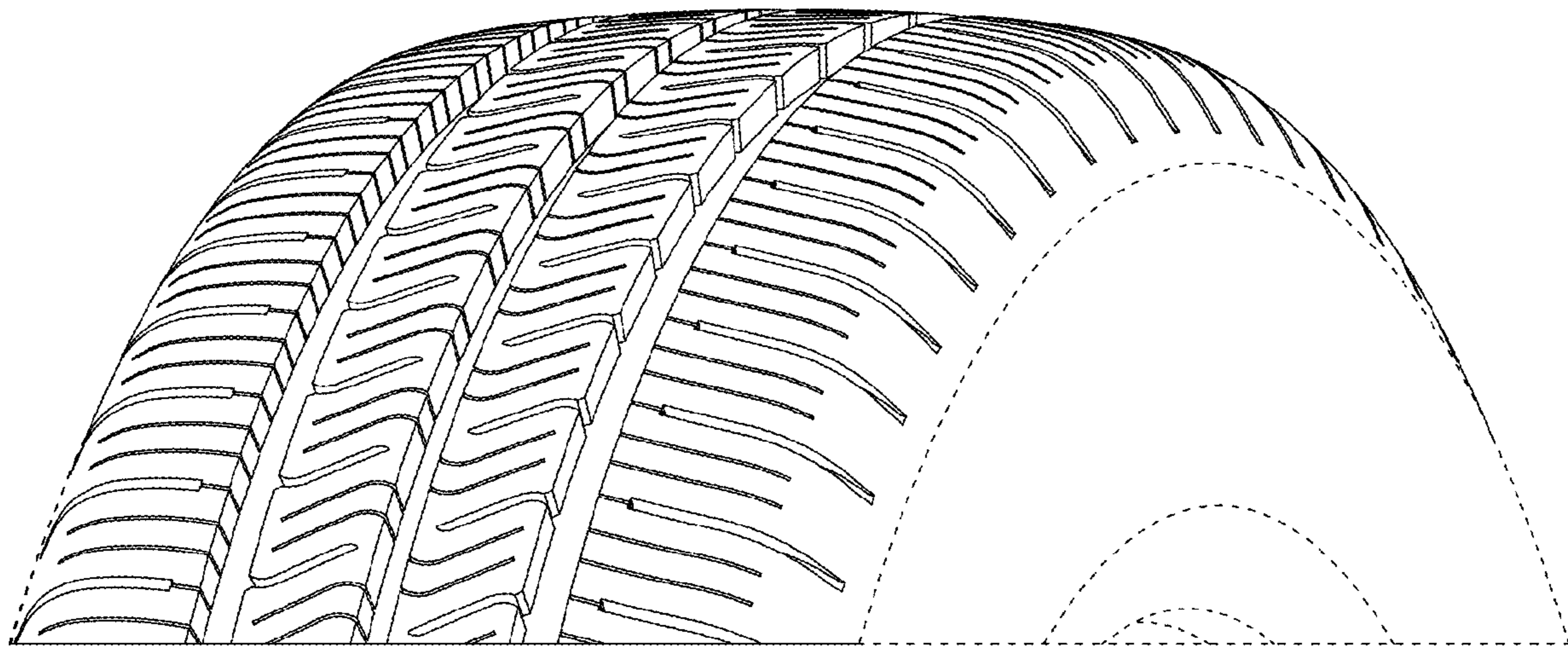


FIG. 8

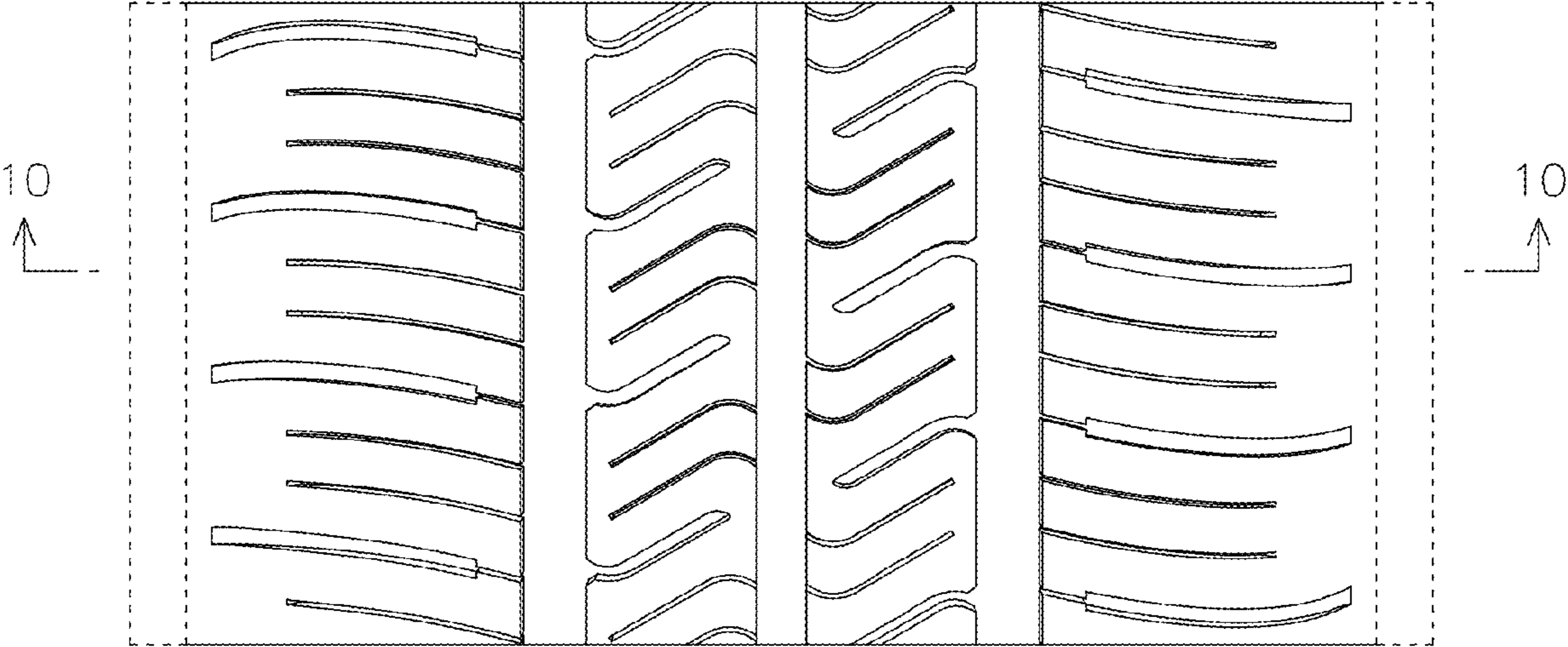


FIG. 9

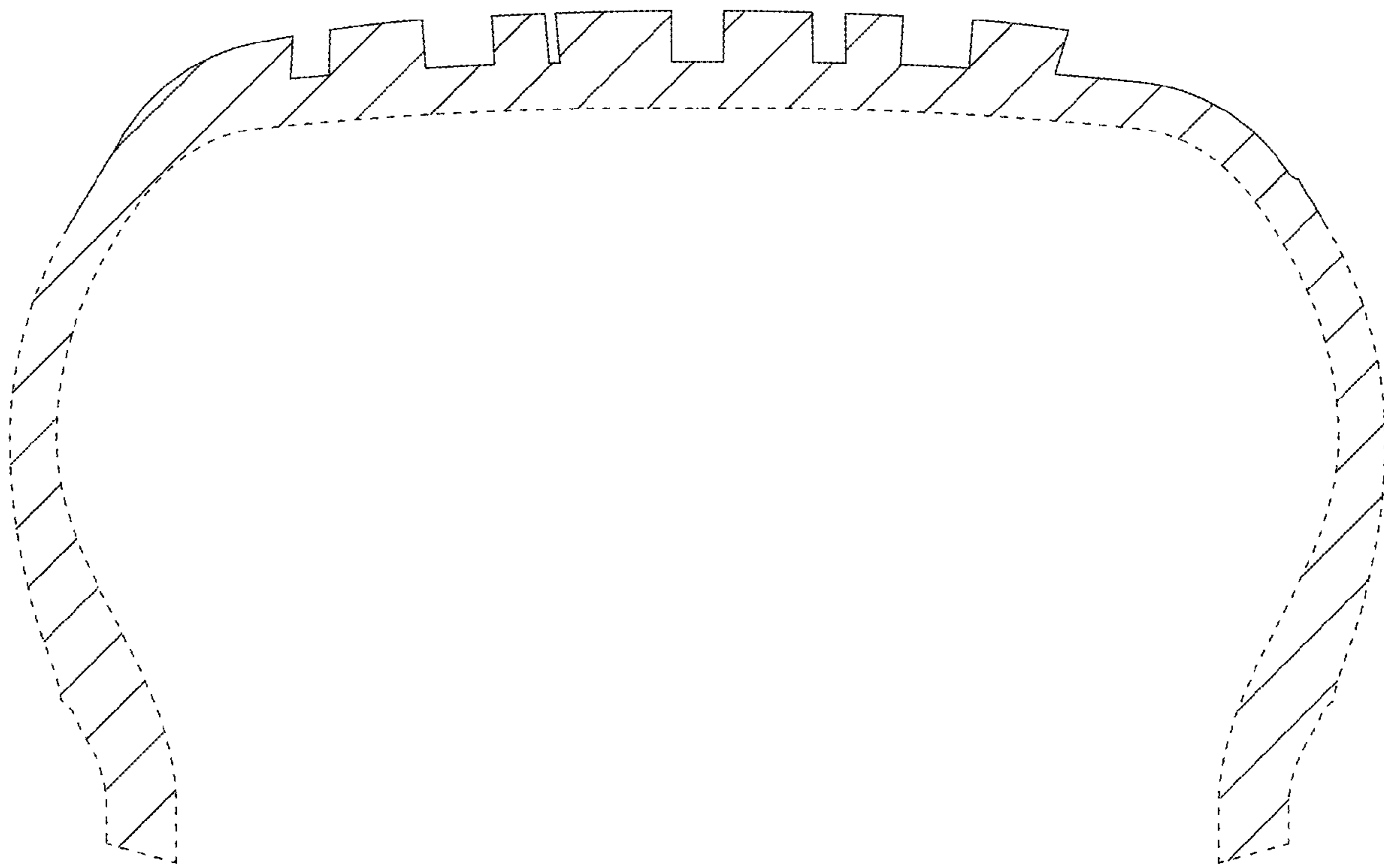


FIG. 10