



US00D894100S

(12) **United States Design Patent** (10) **Patent No.:** **US D894,100 S**  
**Kuhlmann et al.** (45) **Date of Patent:** **\*\* Aug. 25, 2020**

(54) **TIRE FOR MOTORCYCLE**  
(71) Applicant: **SUMITOMO RUBBER INDUSTRIES, LTD.**, Kobe-shi, Hyogo (JP)  
(72) Inventors: **Ryan Kurt Kuhlmann**, Buffalo, NY (US); **Ronald Joseph Winkelman**, Akron, NY (US); **Shawn Thomas Bell**, Lancaster, NY (US); **Michael Jackson**, East Amherst, NY (US); **Joseph John Roscetti, Sr.**, Niagara Falls, NY (US); **Geoffrey Harold Klein**, Niagara Falls, NY (US)

D558,131 S 12/2007 Itoi  
D750,550 S 3/2016 Ueda  
D754,057 S 4/2016 Piszczewicz et al.  
D755,712 S \* 5/2016 Harris ..... D12/535  
D834,501 S \* 11/2018 Harris ..... D12/535  
D852,121 S \* 6/2019 Nakamura ..... D12/535  
D864,094 S \* 10/2019 Ueda ..... D12/535  
D877,051 S \* 3/2020 LeJeune ..... D12/536

(73) Assignee: **SUMITOMO RUBBER INDUSTRIES, LTD.**, Kobe-Shi, Hyogo (JP)

(\*\*) Term: **15 Years**

(21) Appl. No.: **29/693,324**

(22) Filed: **May 31, 2019**

(51) **LOC (12) Cl.** ..... **12-15**

(52) **U.S. Cl.**  
USPC ..... **D12/535**

(58) **Field of Classification Search**  
USPC ..... D12/533-567  
CPC ..... B60C 11/0306; B60C 11/0311; B60C 2011/0339; B60C 2011/0341; B60C 2011/0358; B60C 2011/0374; B60C 2011/0381; B60C 2200/00; B60C 2200/10

See application file for complete search history.

(56) **References Cited**

**U.S. PATENT DOCUMENTS**

D339,091 S \* 9/1993 Zoeller ..... D12/536  
D418,463 S \* 1/2000 Haas ..... D12/536  
D512,680 S 12/2005 Dias

**FOREIGN PATENT DOCUMENTS**

EM 000589460-0022 10/2006  
EM 003421577-0001 1/2017  
EM 004524494-0001 12/2017

\* cited by examiner

*Primary Examiner* — George D. Kirschbaum

*Assistant Examiner* — Joseph J Kukella

(74) *Attorney, Agent, or Firm* — Birch, Stewart, Kolasch & Birch, LLP

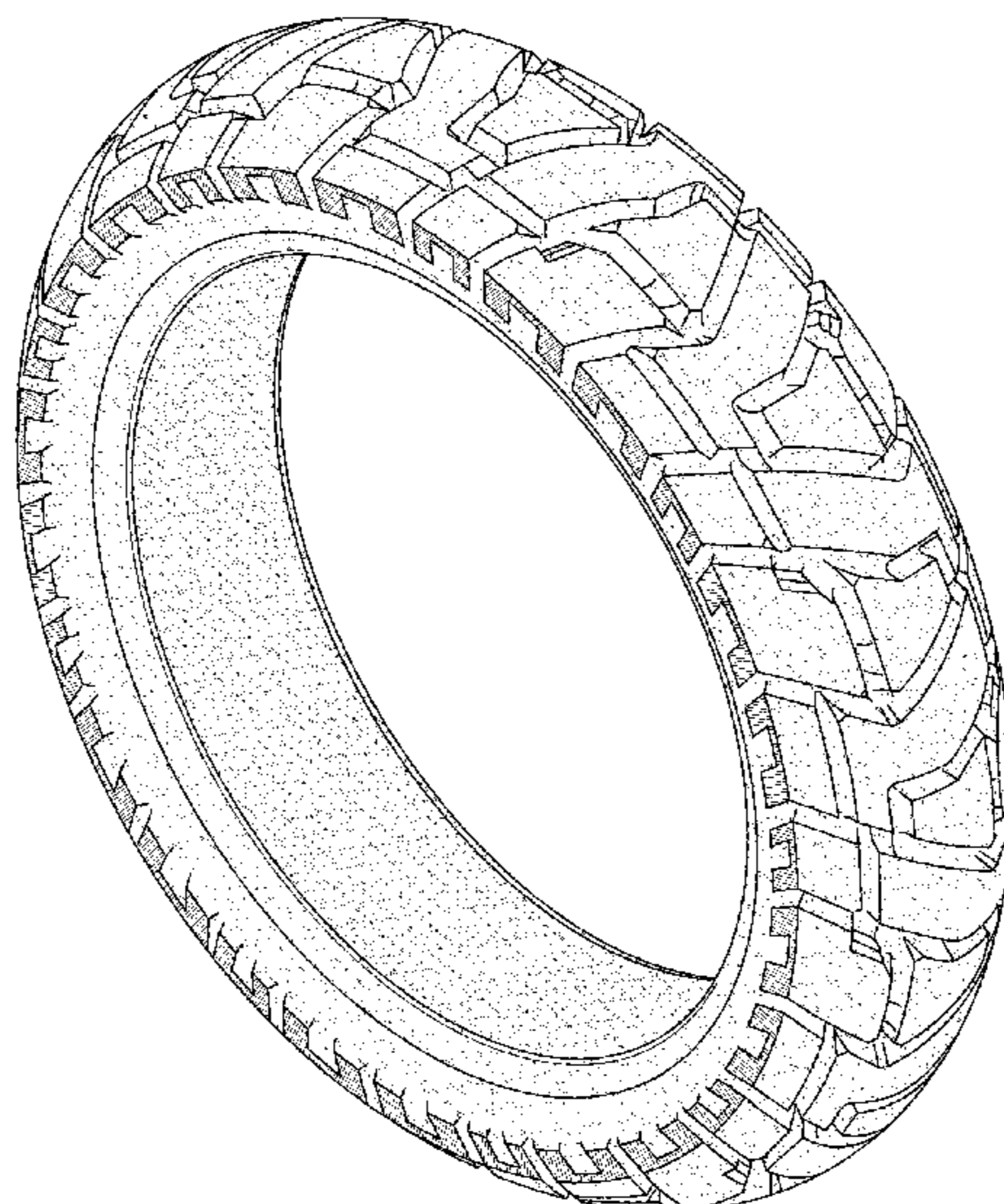
(57) **CLAIM**

The ornamental design for a tire for motorcycle, as shown and described.

**DESCRIPTION**

FIG. 1 is a perspective view of a tire for motorcycle showing our new design, it being understood that the pattern repeats uniformly throughout the circumference of the tread;  
FIG. 2 is a front view thereof;  
FIG. 3 is a left side view thereof;  
FIG. 4 is a rear view thereof;  
FIG. 5 is a right side view thereof;  
FIG. 6 is a bottom view thereof;  
FIG. 7 is a top view thereof;  
FIG. 8 is a partial enlarged view of FIG. 2;  
FIG. 9 is a partial enlarged left, perspective view, of the portion 9-9 illustrated in FIG. 3, the right side being a mirror image thereof; and,  
FIG. 10 is a cross-sectional view along the lines 10-10 in FIG. 5.

**1 Claim, 10 Drawing Sheets**



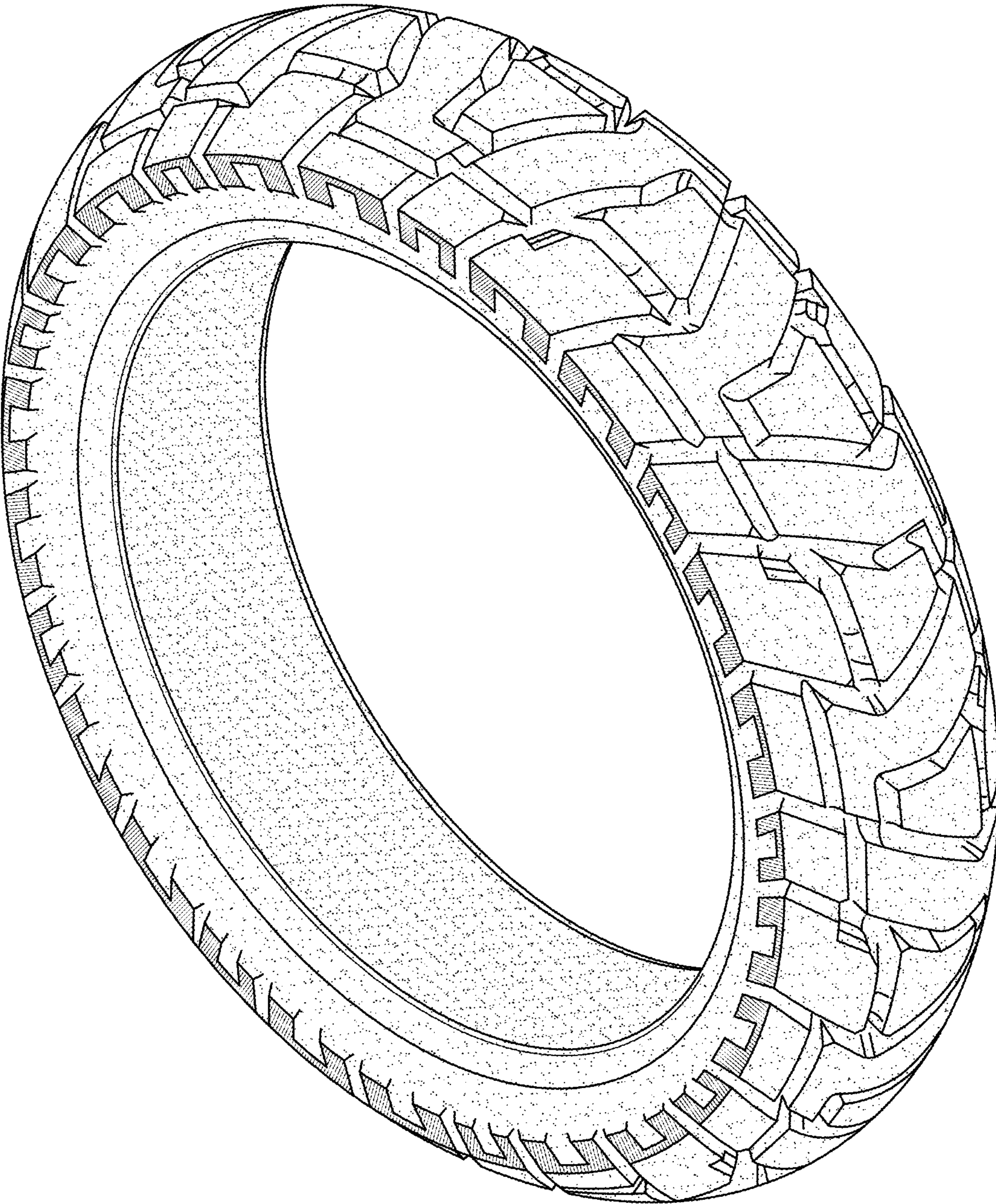


FIG.1

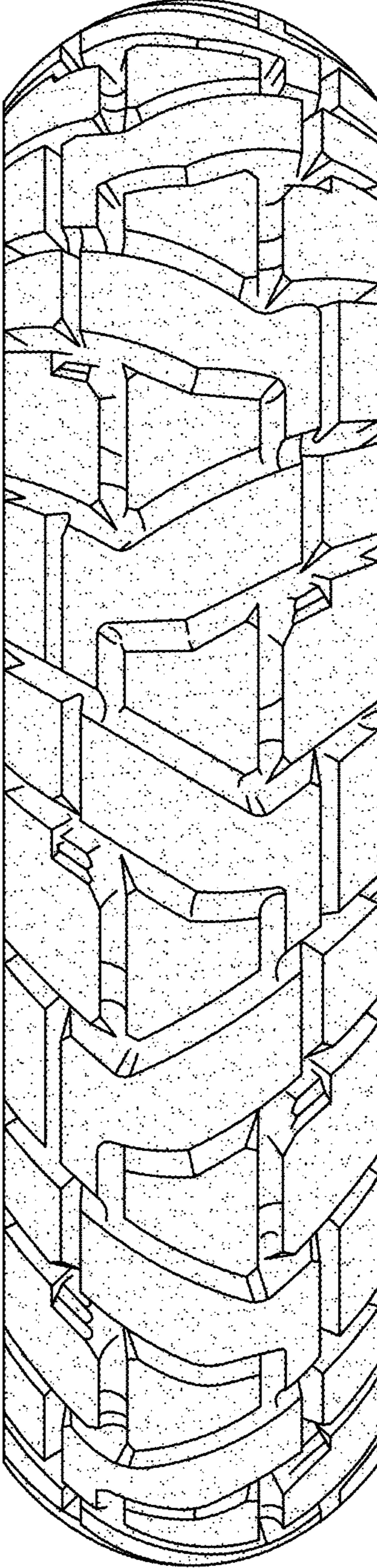


FIG.2

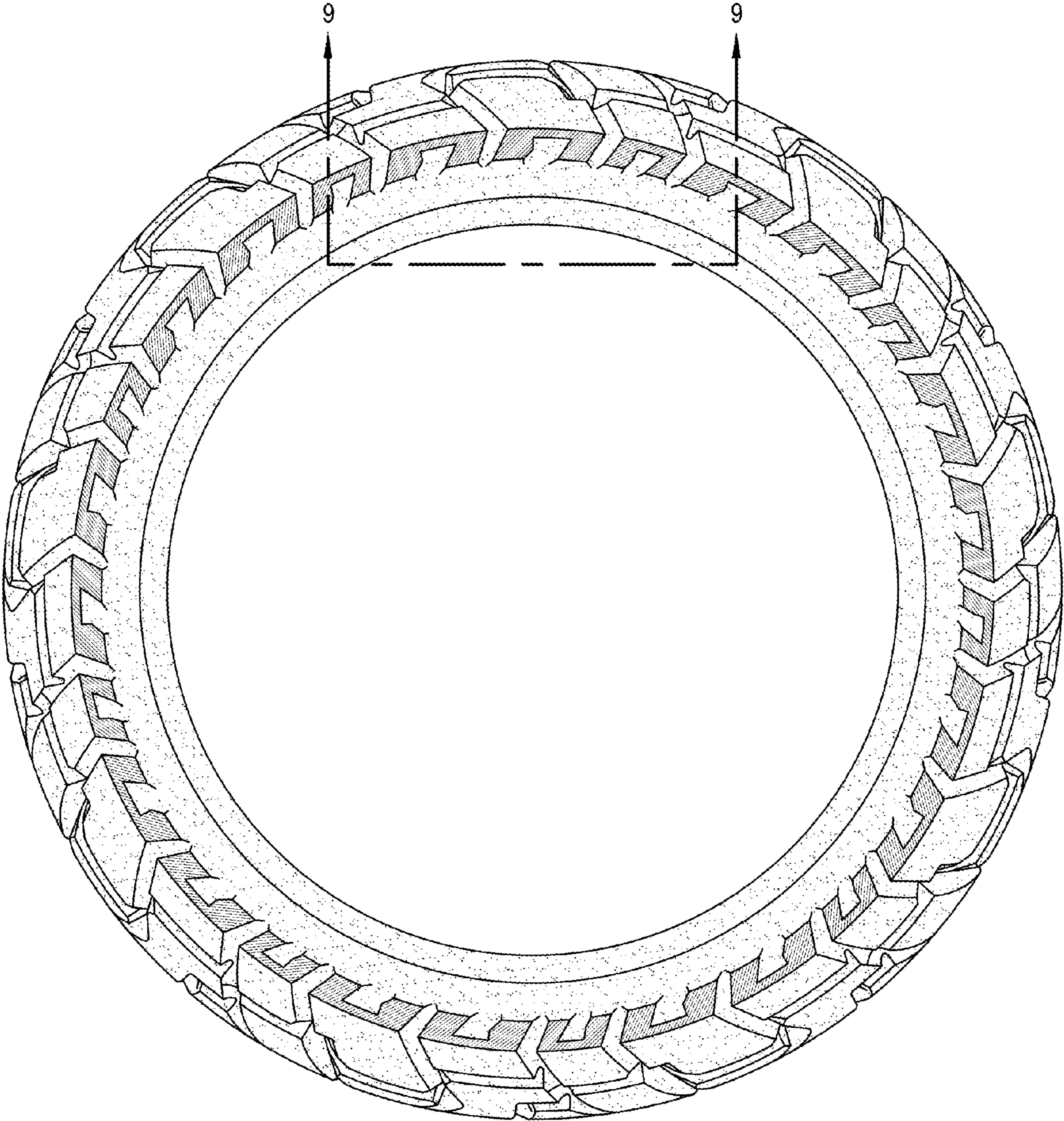


FIG.3

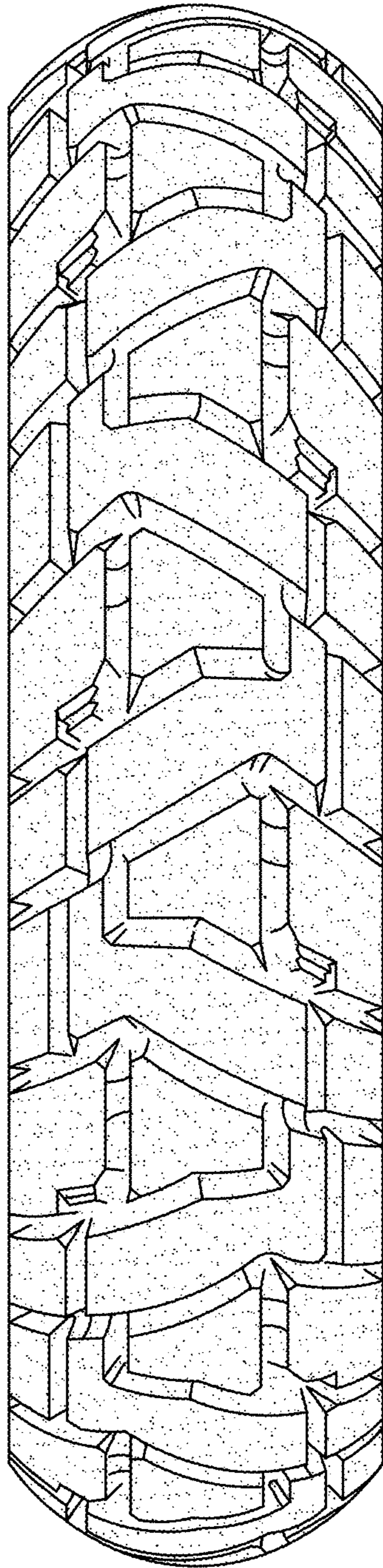


FIG.4

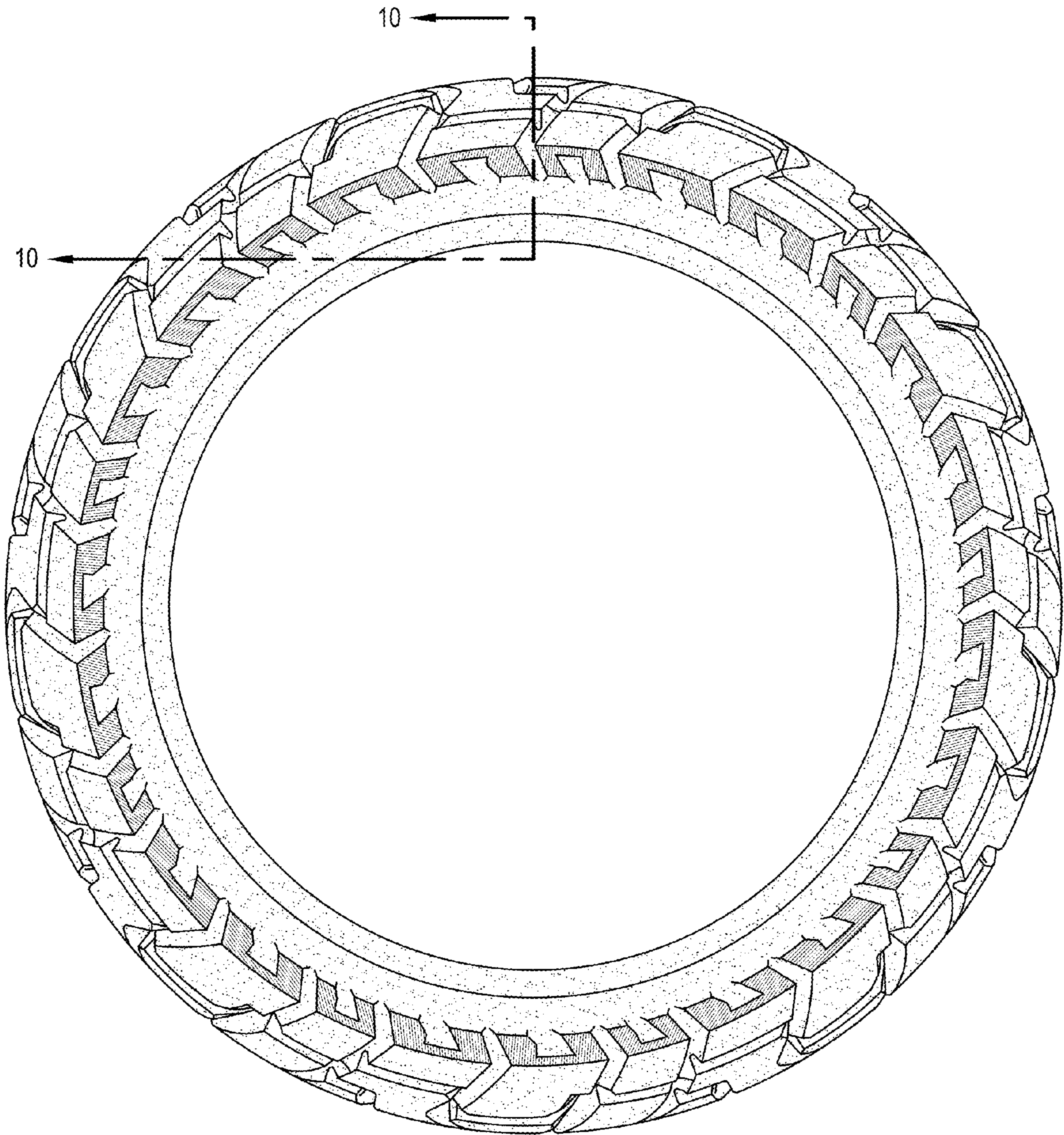


FIG.5

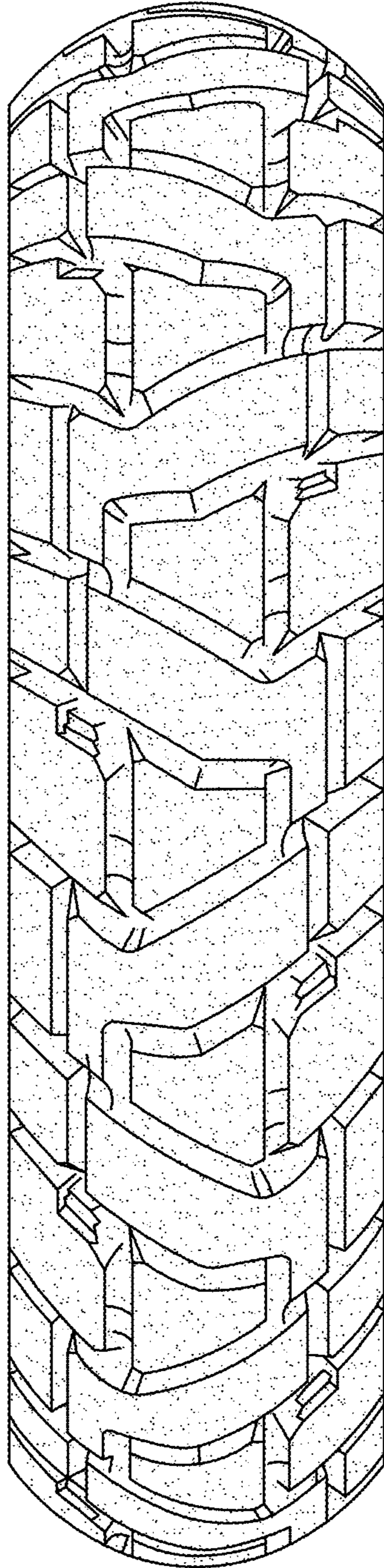


FIG.6

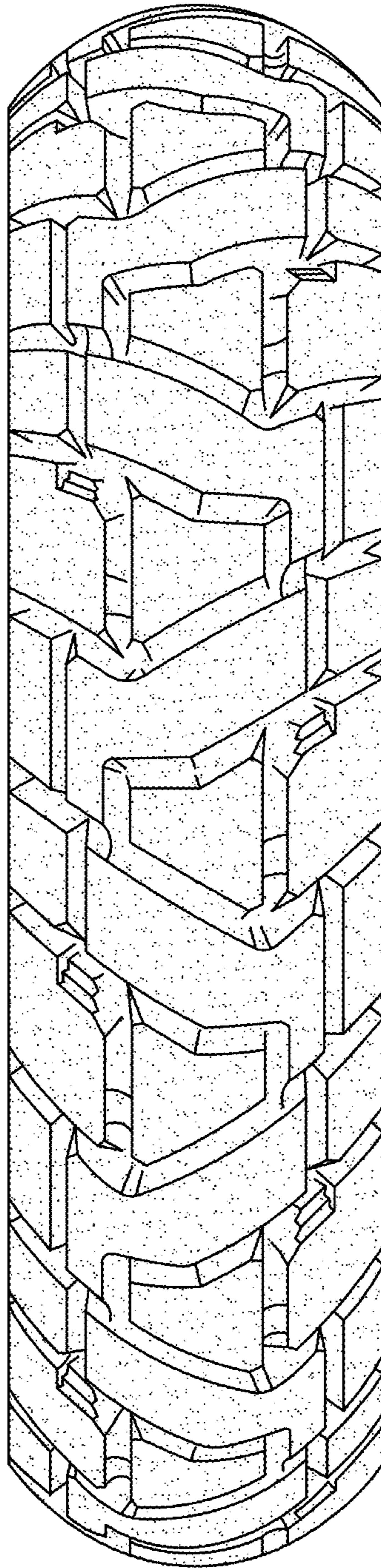


FIG.7



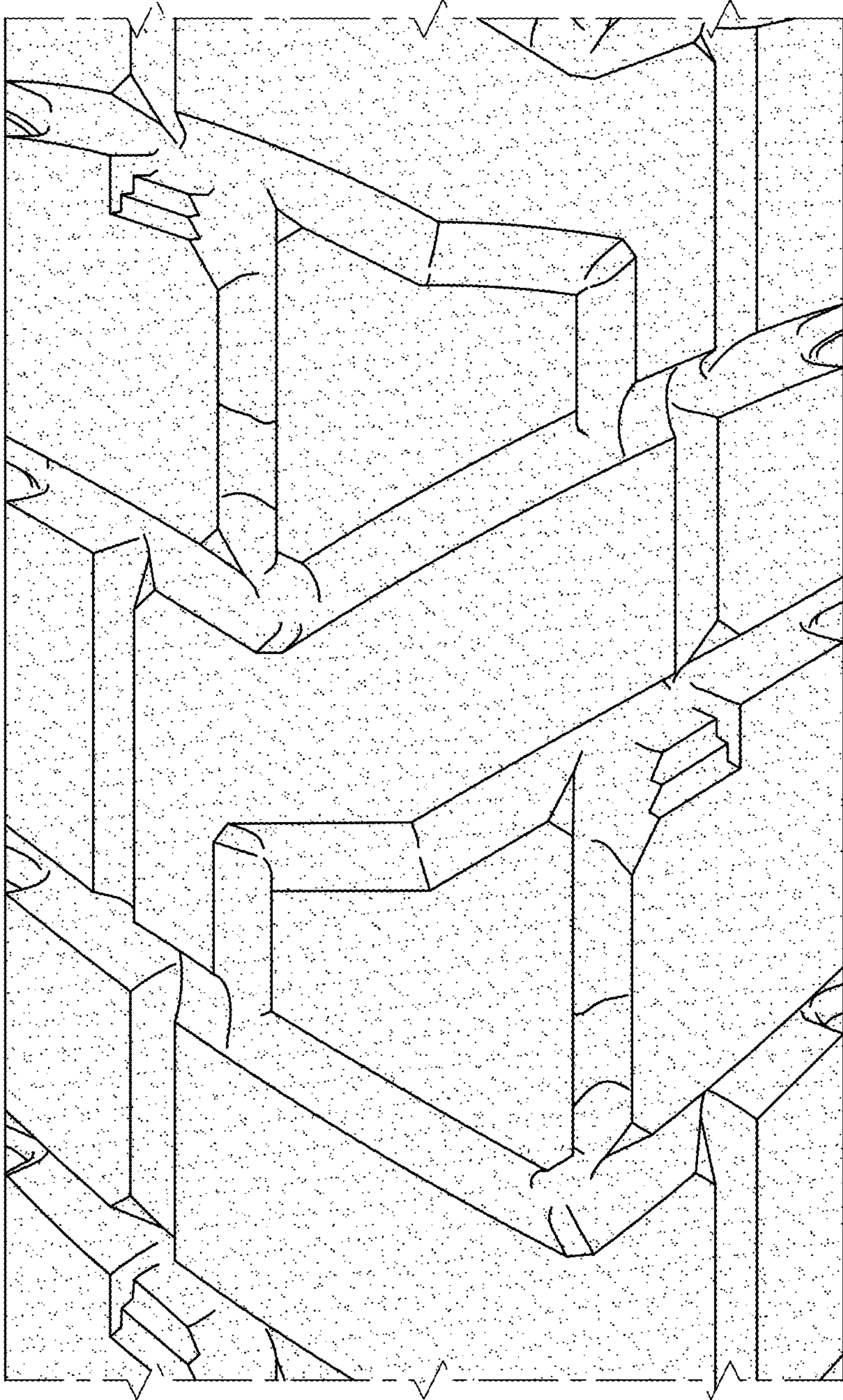


FIG.8

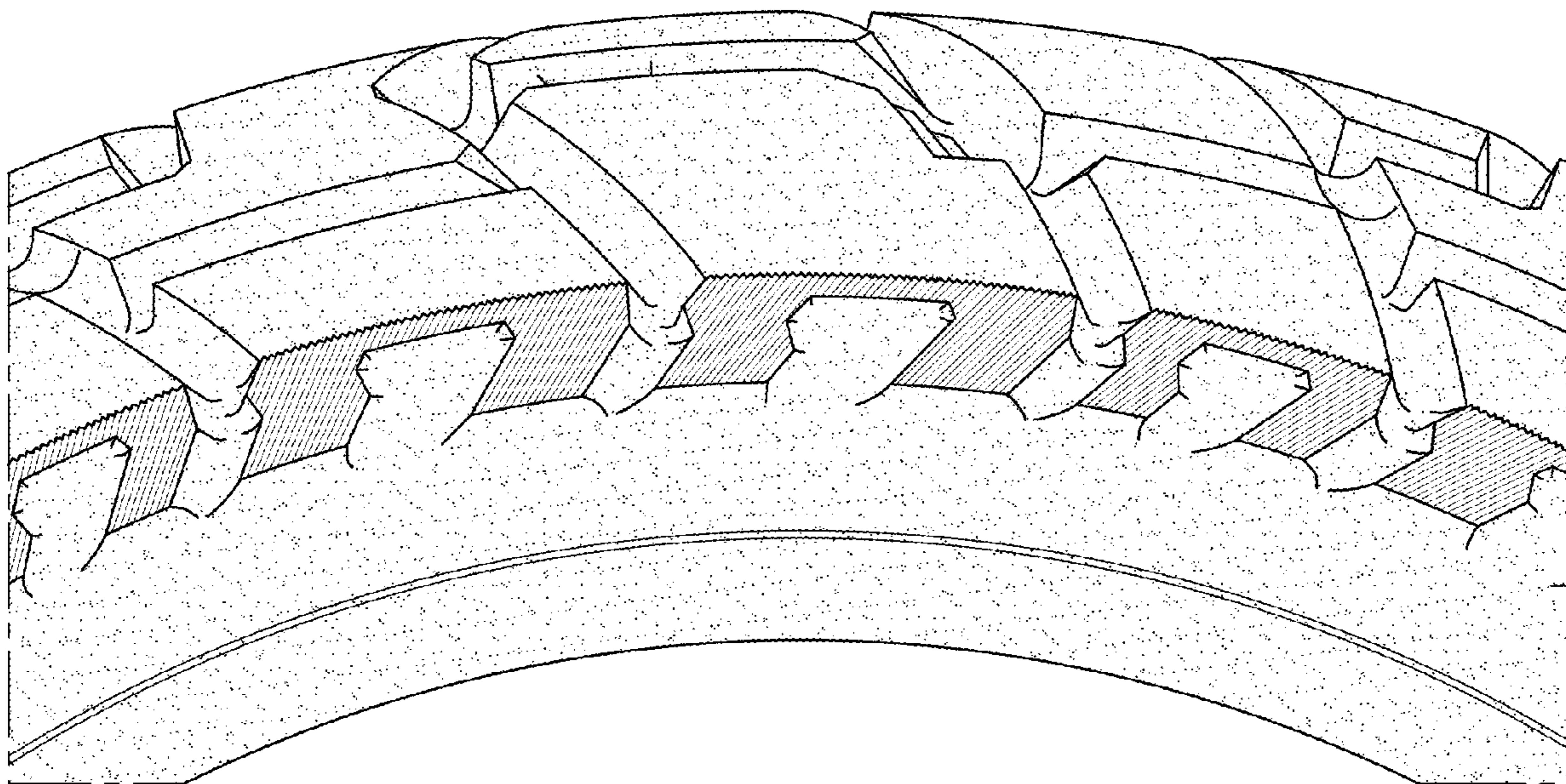


FIG.9

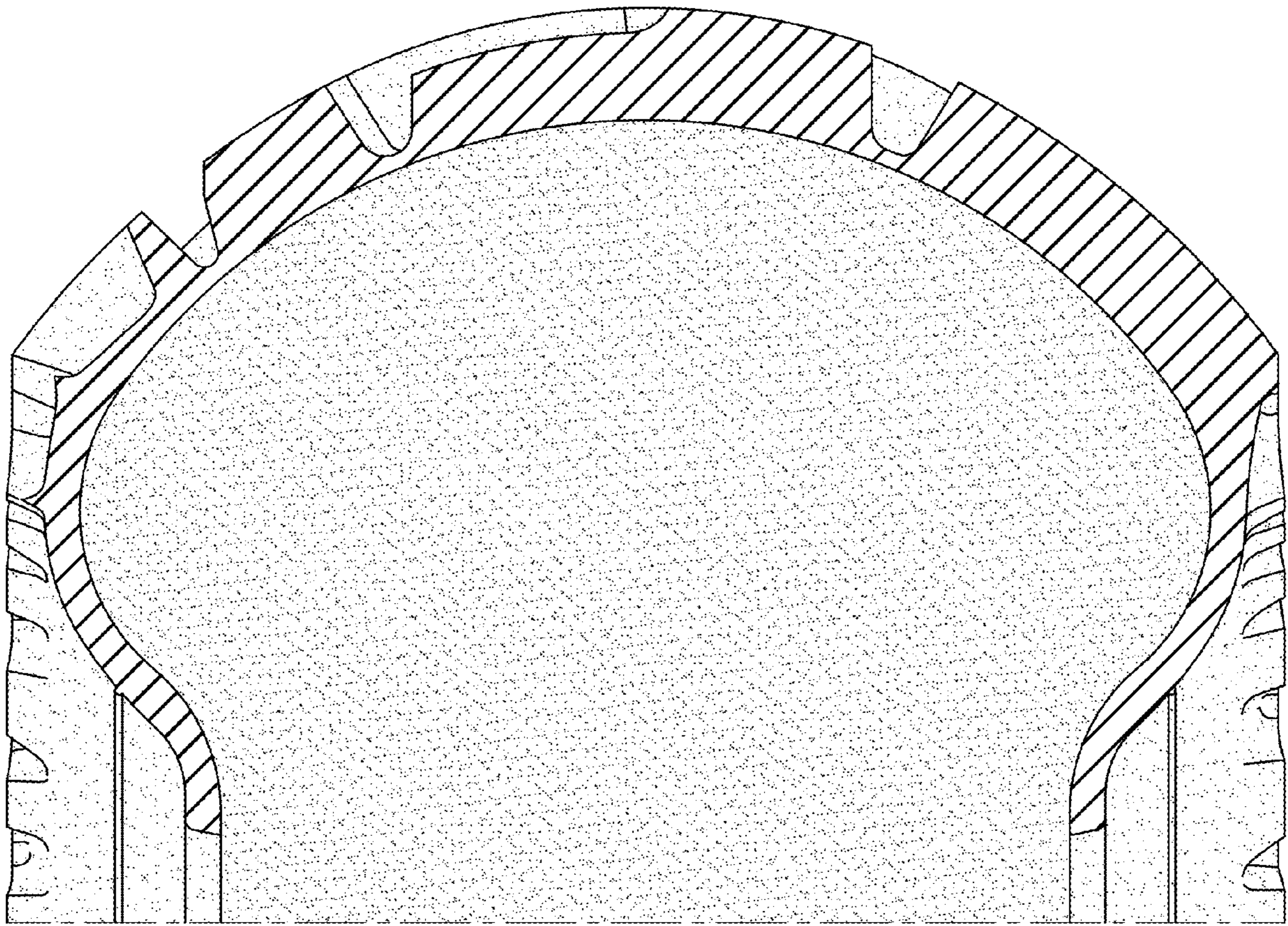


FIG.10