



US00D894099S

(12) **United States Design Patent** (10) **Patent No.:** **US D894,099 S**
Taniguchi (45) **Date of Patent:** **** Aug. 25, 2020**

(54) **TIRE**
(71) Applicant: **Toyo Tire Corporation**, Itami-shi, Hyogo (JP)
(72) Inventor: **Jiro Taniguchi**, Itami (JP)
(73) Assignee: **Toyo Tire Corporation**, Itami-shi (JP)
(**) Term: **15 Years**

D667,777 S * 9/2012 Jamot D12/531
D685,719 S * 7/2013 Ochi D12/530
D725,585 S * 3/2015 Brandau D12/531
D738,289 S * 9/2015 Brandau D12/531
D741,784 S * 10/2015 Son D12/531
D741,785 S * 10/2015 Lamb D12/531
D756,893 S * 5/2016 Son D12/531
D782,960 S * 4/2017 Tikka D12/531
D840,327 S * 2/2019 Brandau D12/531

(21) Appl. No.: **29/680,719**
(22) Filed: **Feb. 19, 2019**

FOREIGN PATENT DOCUMENTS

JP 1508482 S 10/2014

* cited by examiner

(30) **Foreign Application Priority Data**
Aug. 22, 2018 (JP) 2018-018289

Primary Examiner — Lakiya G Rogers
Assistant Examiner — John A Voytek
(74) *Attorney, Agent, or Firm* — Sterne, Kessler, Goldstein & Fox P.L.L.C.

(51) **LOC (12) Cl.** **12-15**
(52) **U.S. Cl.**
USPC **D12/531**
(58) **Field of Classification Search**
USPC D12/500-532, 604
CPC Y10T 152/10027; B60C 1/0016; B60C 11/0306; B60C 11/0302; B60C 3/06; B60C 9/17
See application file for complete search history.

(57) **CLAIM**

The ornamental design for a tire, as shown and described.

(56) **References Cited**

DESCRIPTION

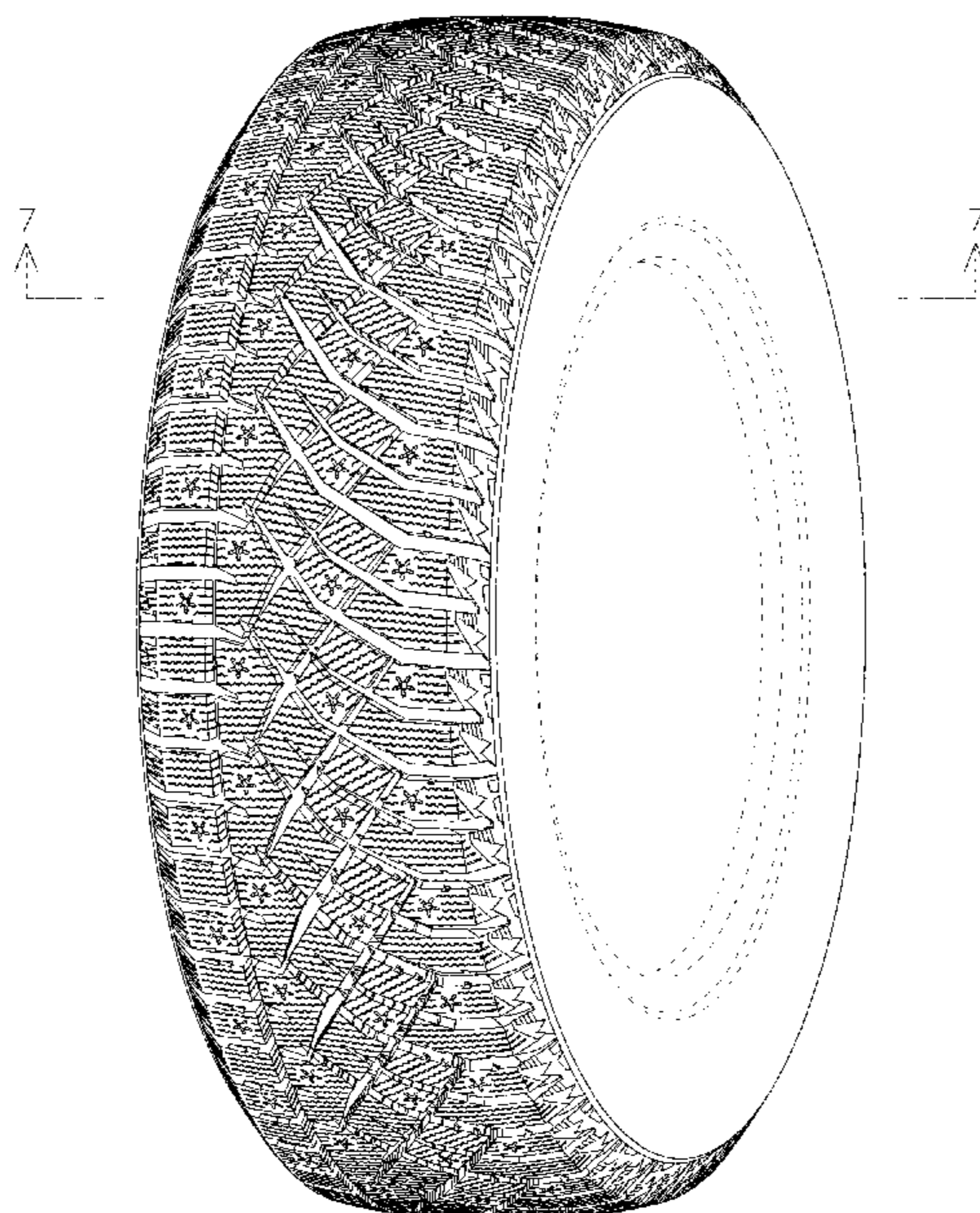
U.S. PATENT DOCUMENTS

D490,769 S * 6/2004 Diensthuber D12/531
D498,204 S * 11/2004 Sato D12/512
D526,270 S * 8/2006 Miyasaka D12/532
D566,037 S * 4/2008 Raatikainen D12/521
D582,838 S * 12/2008 Park D12/519
D593,932 S * 6/2009 Wildenhain D12/531
D608,271 S * 1/2010 Woidtke D12/531
D637,547 S * 5/2011 Schlittenhard D12/531
D644,594 S * 9/2011 Seng D12/531
D644,595 S * 9/2011 Iwabuchi D12/532

FIG. 1 is a front perspective view of a tire showing the claimed design;
FIG. 2 is a front view thereof;
FIG. 3 is a rear view thereof;
FIG. 4 is a top plan view thereof, the bottom plan view being the same;
FIG. 5 is a right side view thereof;
FIG. 6 is a left side view thereof;
FIG. 7 is an enlarged view taken along line 7-7 in FIG. 1;
FIG. 8 is an enlarged view of the portion 8-8 in FIG. 2; and
FIG. 9 is a cross-sectional view taken along line 9-9 in FIG. 8.

In the drawings, the broken lines show portions of the tire that form no part of the claimed design.

1 Claim, 9 Drawing Sheets



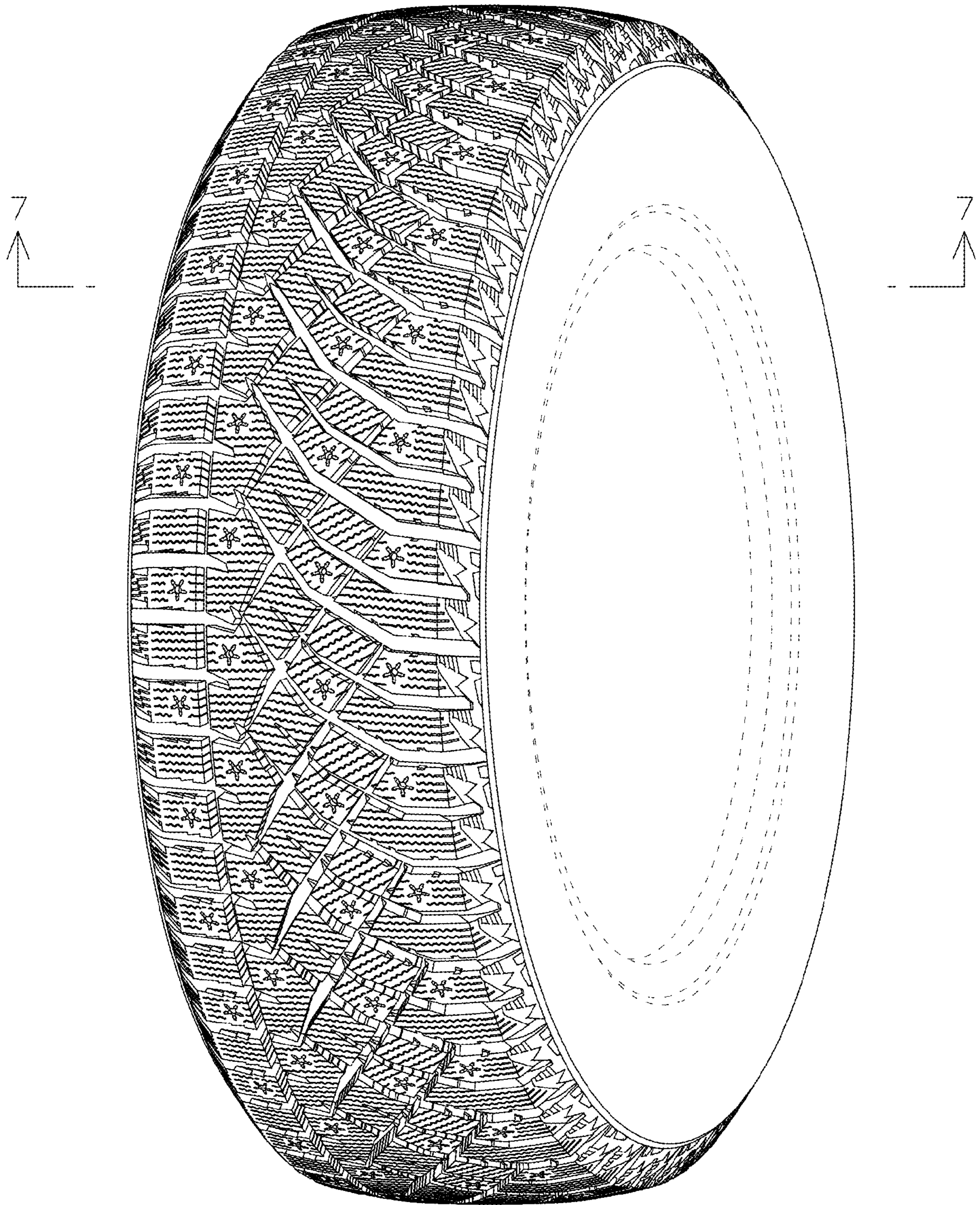


FIG. 1

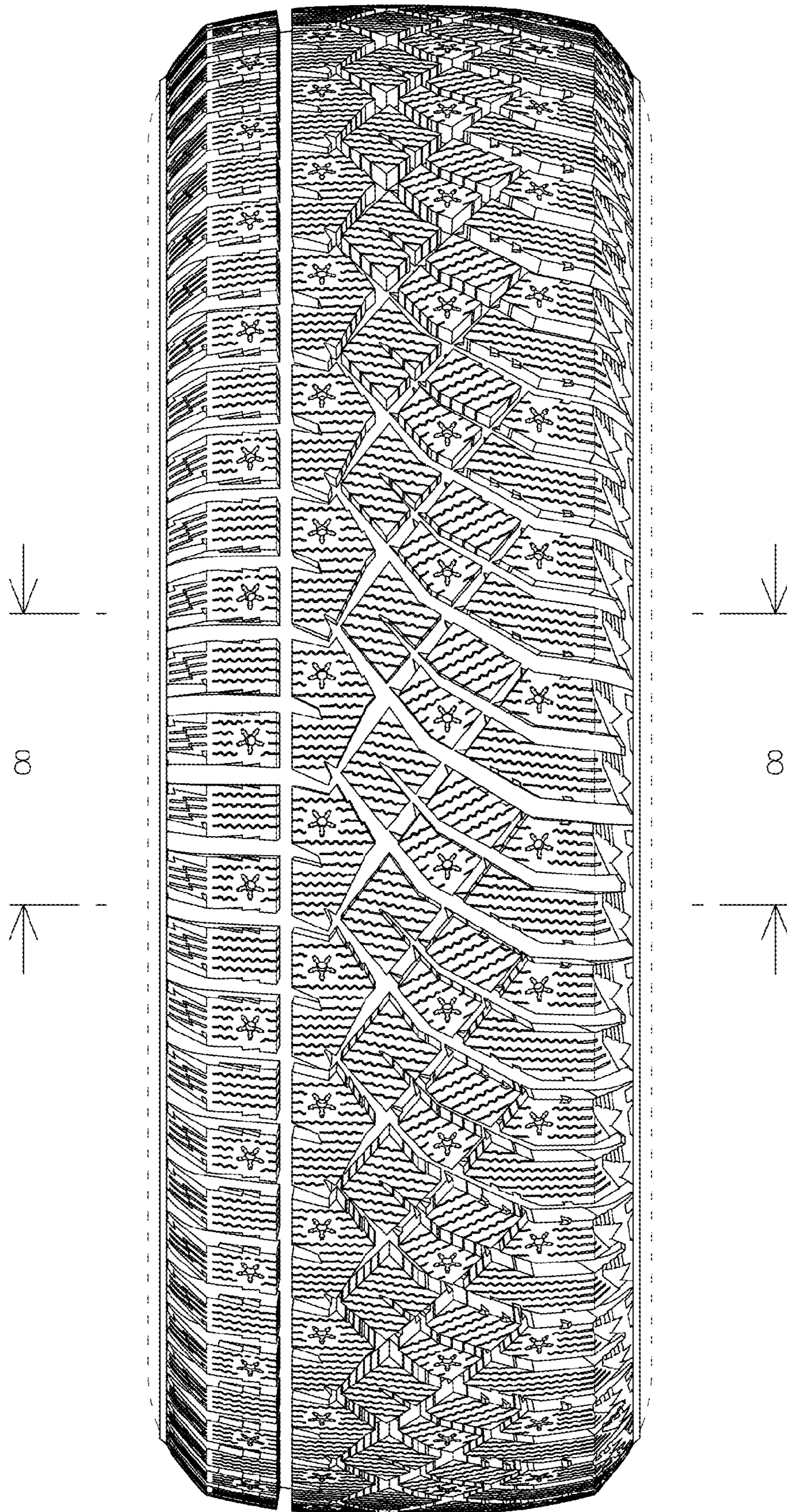


FIG. 2

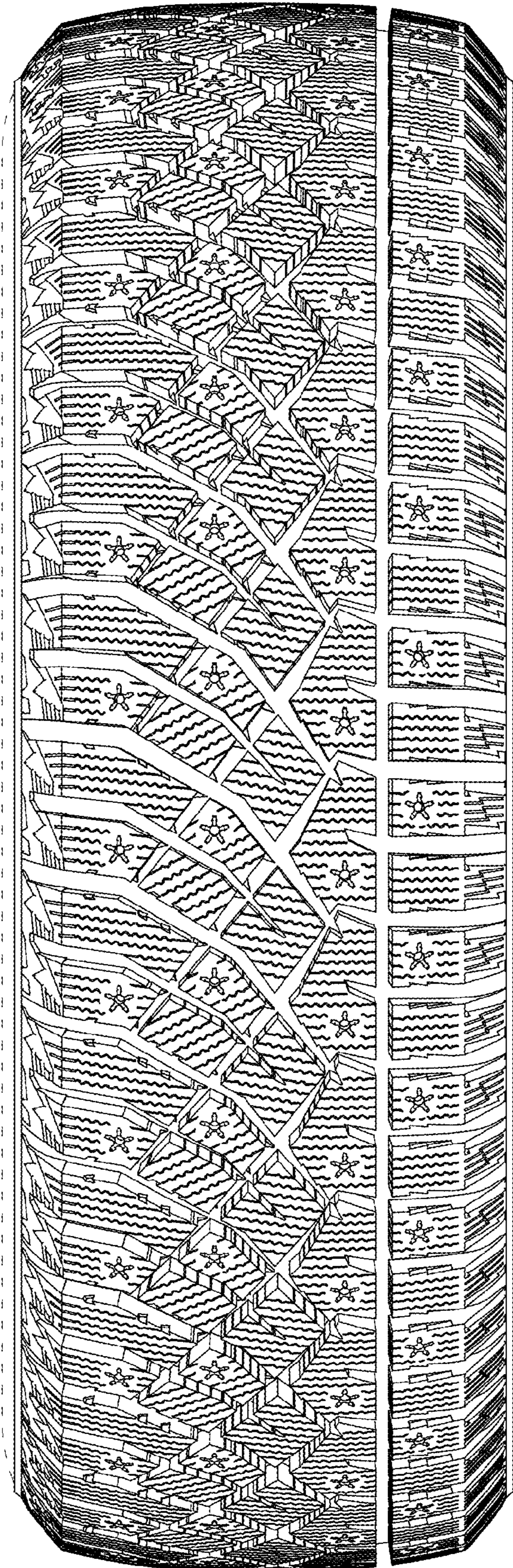


FIG. 3

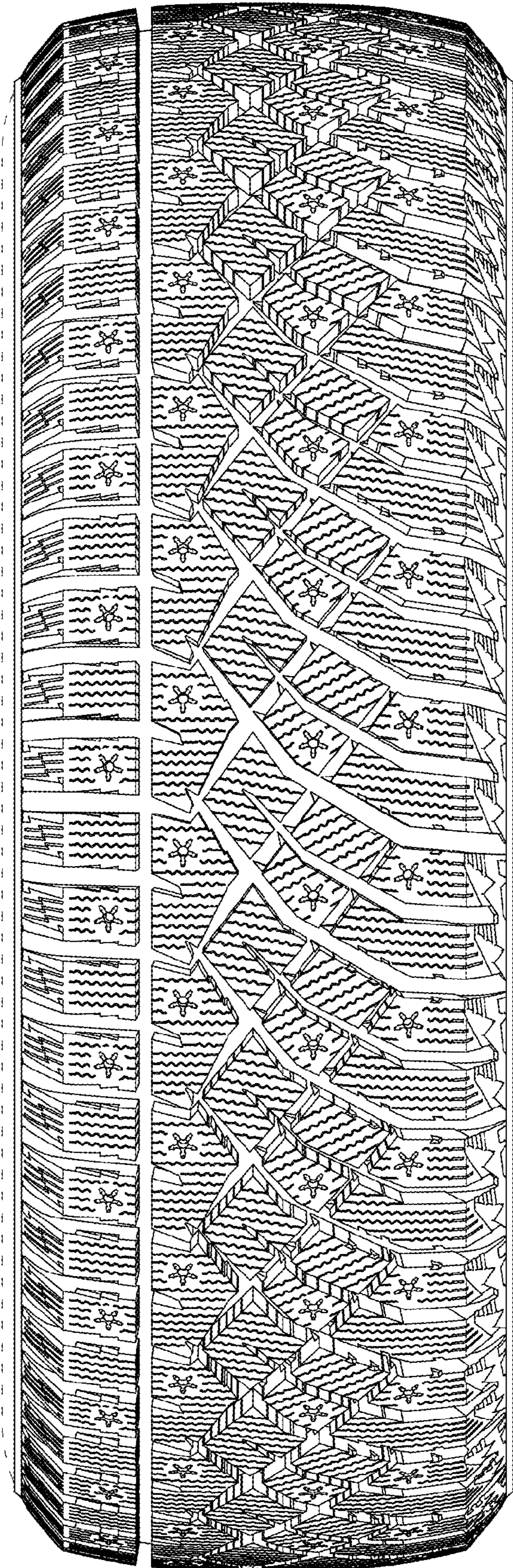


FIG. 4

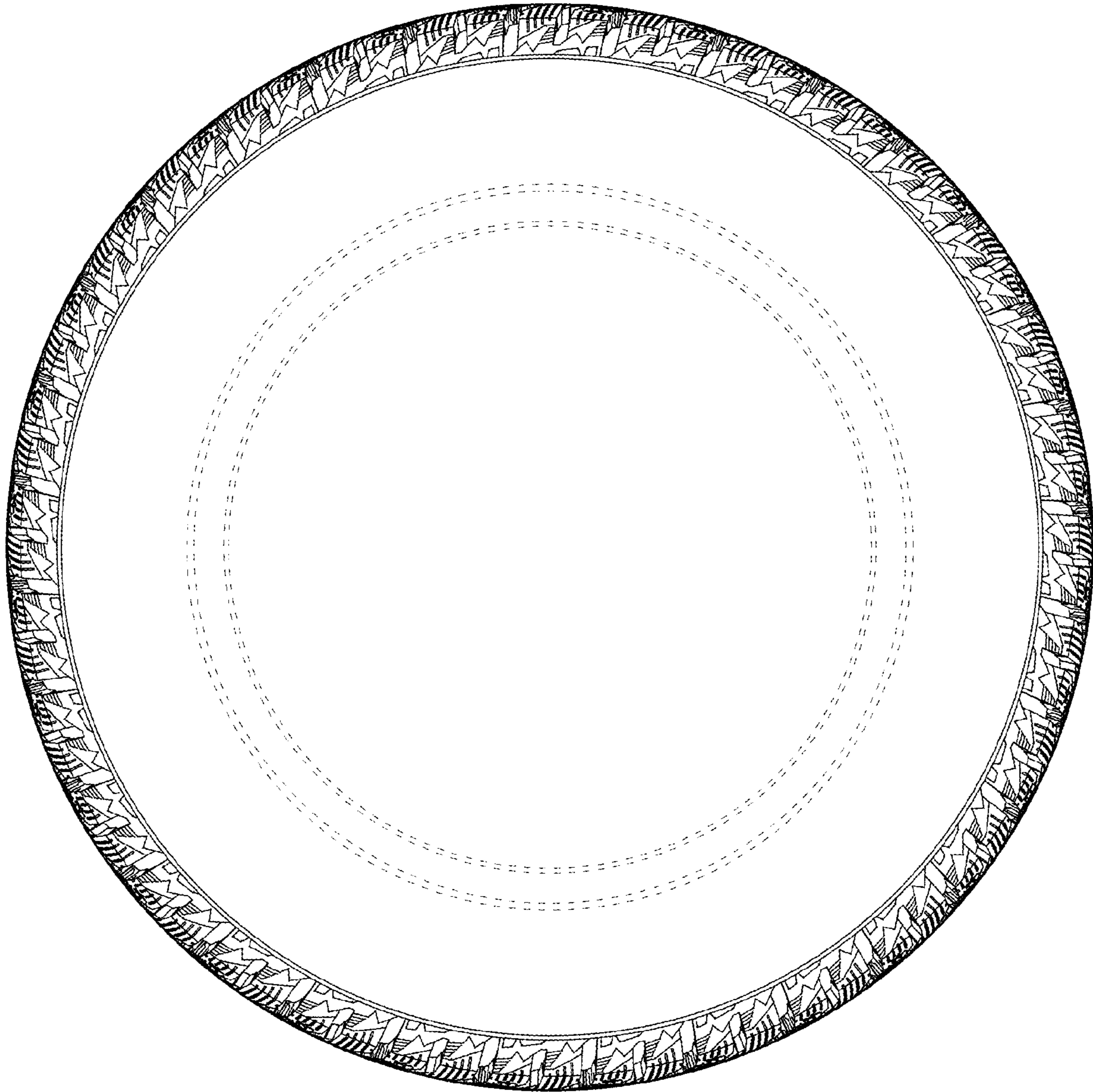


FIG. 5

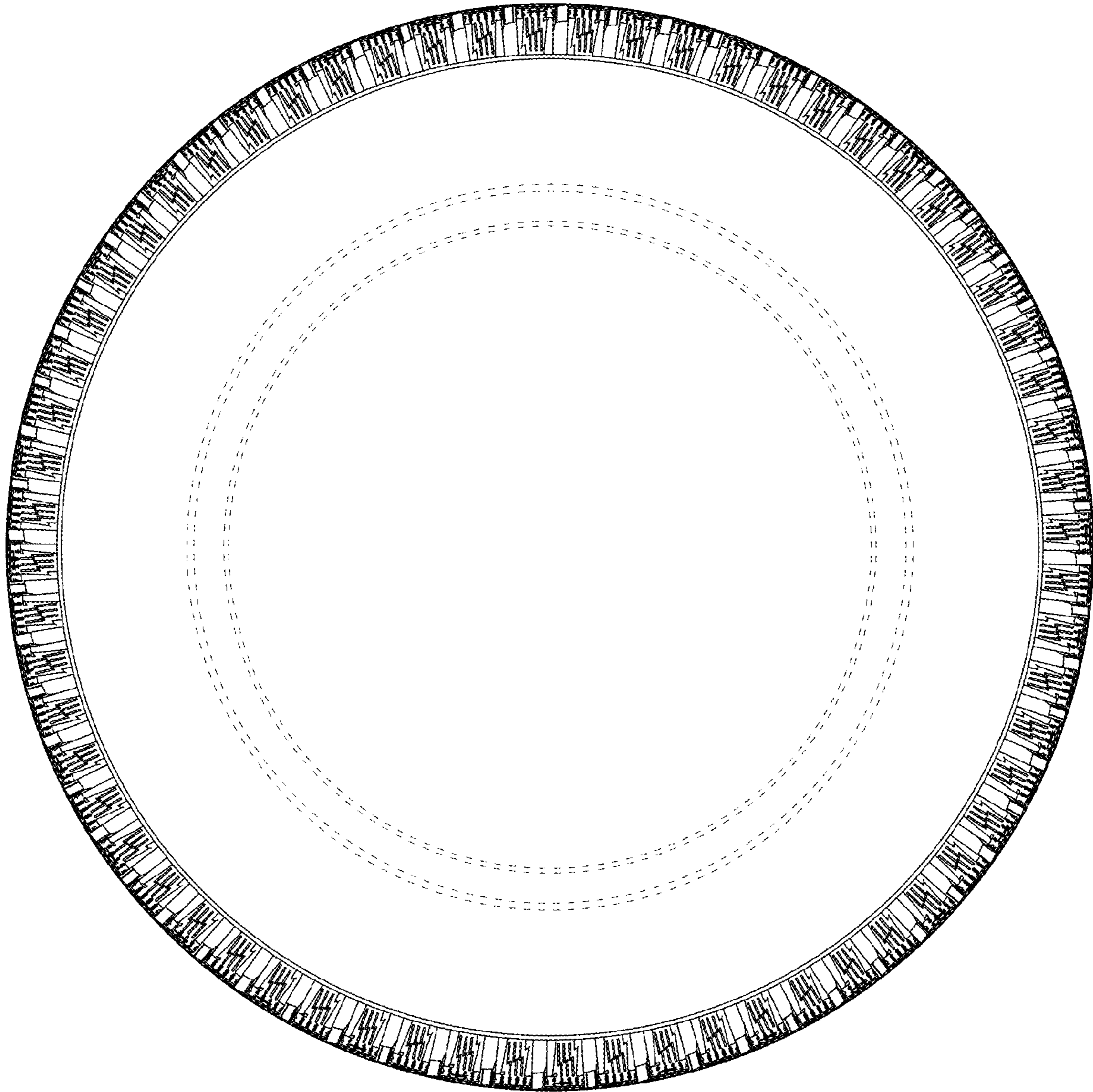


FIG. 6

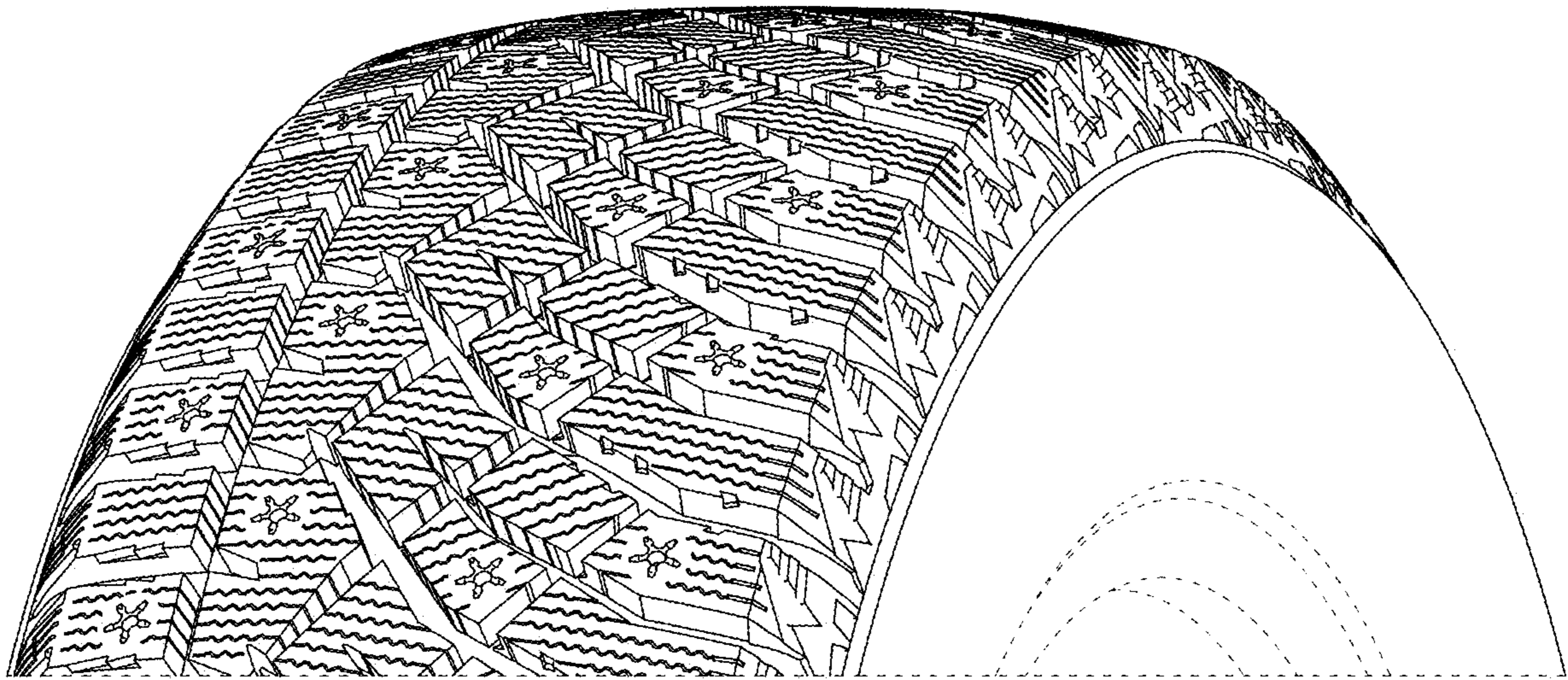


FIG. 7

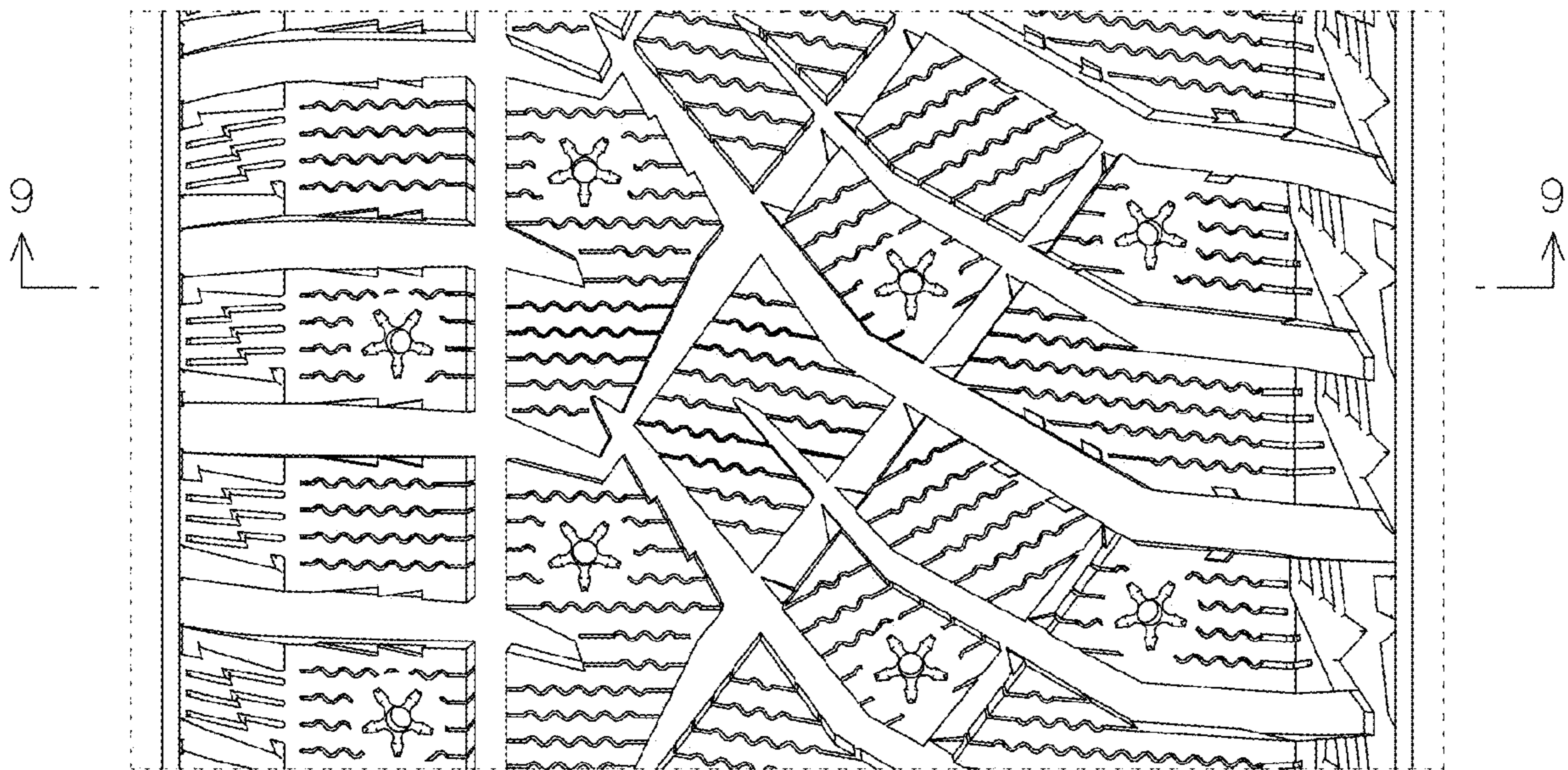


FIG. 8

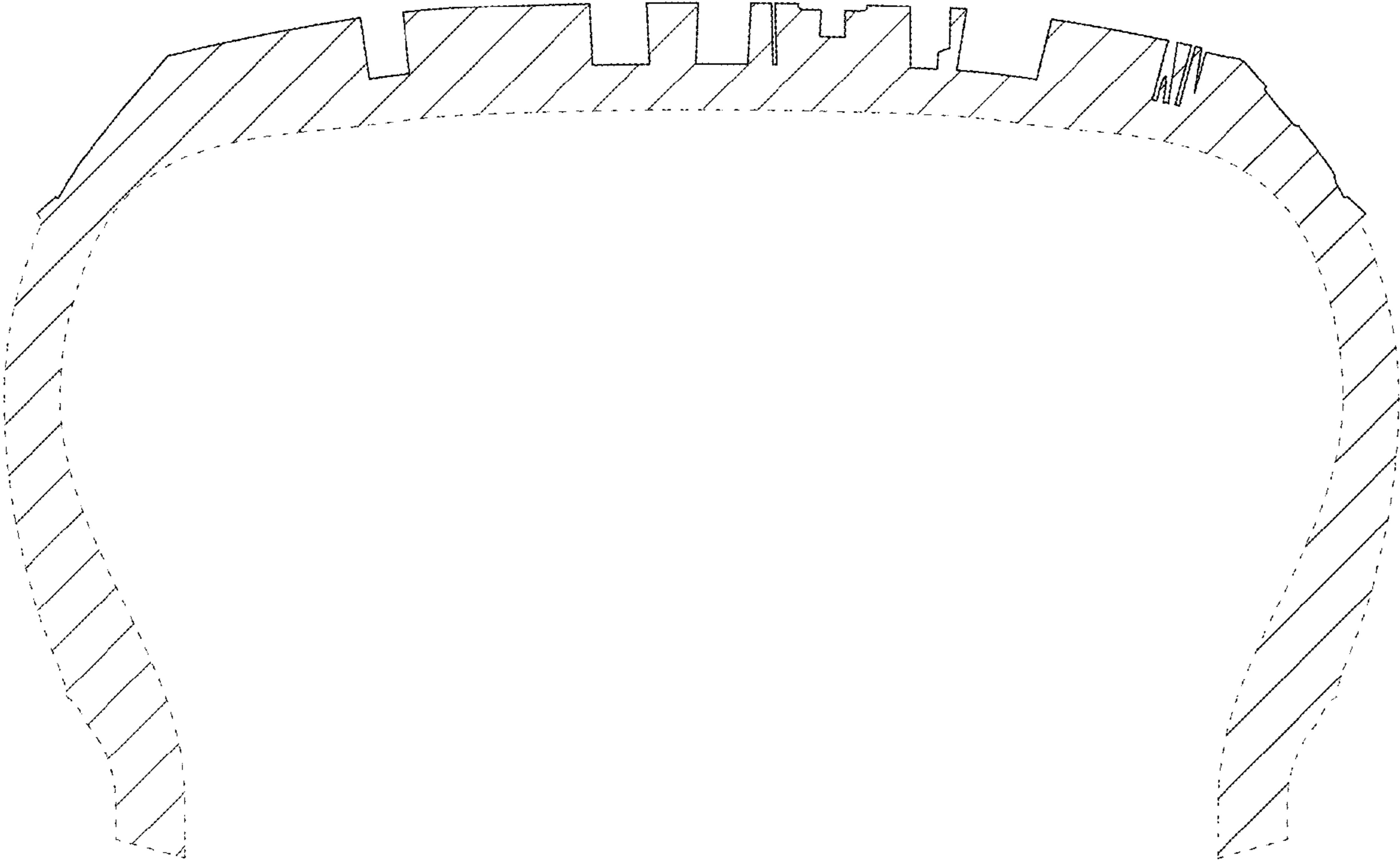


FIG. 9