

US00D894096S

(12) **United States Design Patent**  
**Takahashi**

(10) **Patent No.:** **US D894,096 S**

(45) **Date of Patent:** **\*\* Aug. 25, 2020**

(54) **TIRE**

(71) Applicant: **Toyo Tire Corporation**, Itami-shi,  
Hyogo (JP)

(72) Inventor: **Soichi Takahashi**, Itami (JP)

(73) Assignee: **Toyo Tire Corporation**, Itami-shi (JP)

(\*\*) Term: **15 Years**

(21) Appl. No.: **29/683,400**

(22) Filed: **Mar. 13, 2019**

(30) **Foreign Application Priority Data**

Sep. 20, 2018 (JP) ..... 2018-020433

(51) **LOC (12) Cl.** ..... **12-15**

(52) **U.S. Cl.**  
USPC ..... **D12/519**

(58) **Field of Classification Search**

USPC ..... D12/500-532, 604

CPC ..... Y10T 152/10027; B60C 1/0016; B60C  
11/0306; B60C 11/0302; B60C 3/06;  
B60C 9/17

See application file for complete search history.

(56) **References Cited**

U.S. PATENT DOCUMENTS

D586,724 S \* 2/2009 Seibert ..... D12/519  
D597,474 S \* 8/2009 Yamakawa ..... D12/519  
D599,276 S \* 9/2009 Fontaine ..... D12/519  
D603,324 S \* 11/2009 Woidtke ..... D12/519  
D647,456 S \* 10/2011 Behr ..... D12/519  
D656,083 S \* 3/2012 Mukai ..... D12/519  
D660,222 S \* 5/2012 Kim ..... D12/519

D743,872 S \* 11/2015 Huang ..... D12/519  
D761,716 S \* 7/2016 Albouy ..... D12/518  
D765,019 S \* 8/2016 Chen ..... D12/523  
D823,233 S \* 7/2018 Fontaine ..... D12/519  
D825,439 S \* 8/2018 Tikka ..... D12/519

FOREIGN PATENT DOCUMENTS

JP 1490741 S 3/2016

\* cited by examiner

*Primary Examiner* — Lakiya G Rogers

*Assistant Examiner* — John A Voytek

(74) *Attorney, Agent, or Firm* — Sterne, Kessler,  
Goldstein & Fox P.L.L.C.

(57) **CLAIM**

The ornamental design for a tire, as shown and described.

**DESCRIPTION**

FIG. 1 is a front perspective view of a tire showing the claimed design;

FIG. 2 is a front view thereof;

FIG. 3 is a rear view thereof;

FIG. 4 is a top plan view thereof;

FIG. 5 is a bottom plan view thereof;

FIG. 6 is a right side view thereof;

FIG. 7 is a left side view thereof;

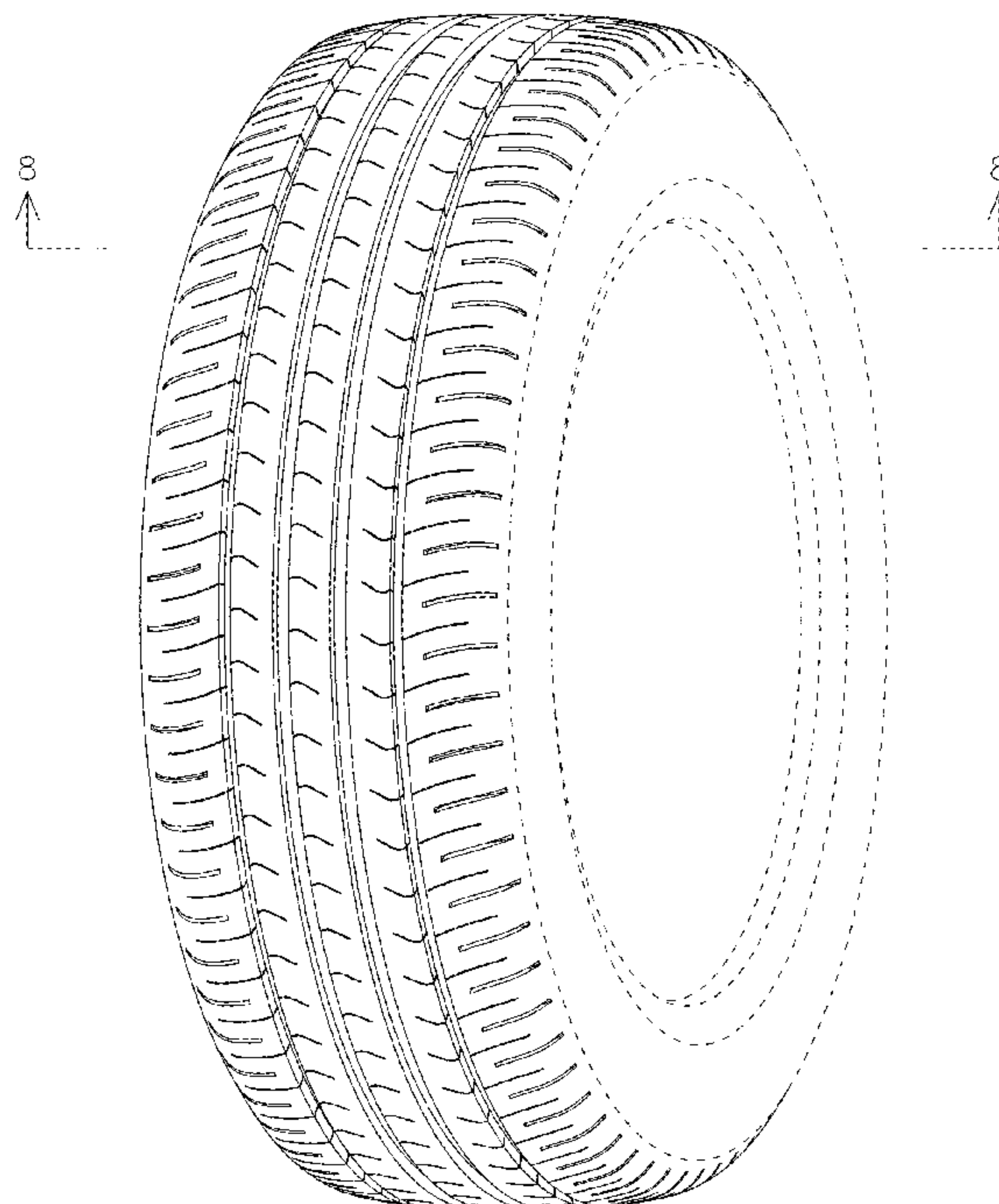
FIG. 8 is an enlarged view taken along line 8-8 in FIG. 1;

FIG. 9 is an enlarged view of the portion 9-9 in FIG. 2; and,

FIG. 10 is a cross-sectional view taken along line 10-10 in FIG. 9.

In the drawings, the broken lines show portions of the tire that form no part of the claimed design. The outermost broken lines of the sidewall form the boundary of the claim and form no part thereof.

**1 Claim, 10 Drawing Sheets**



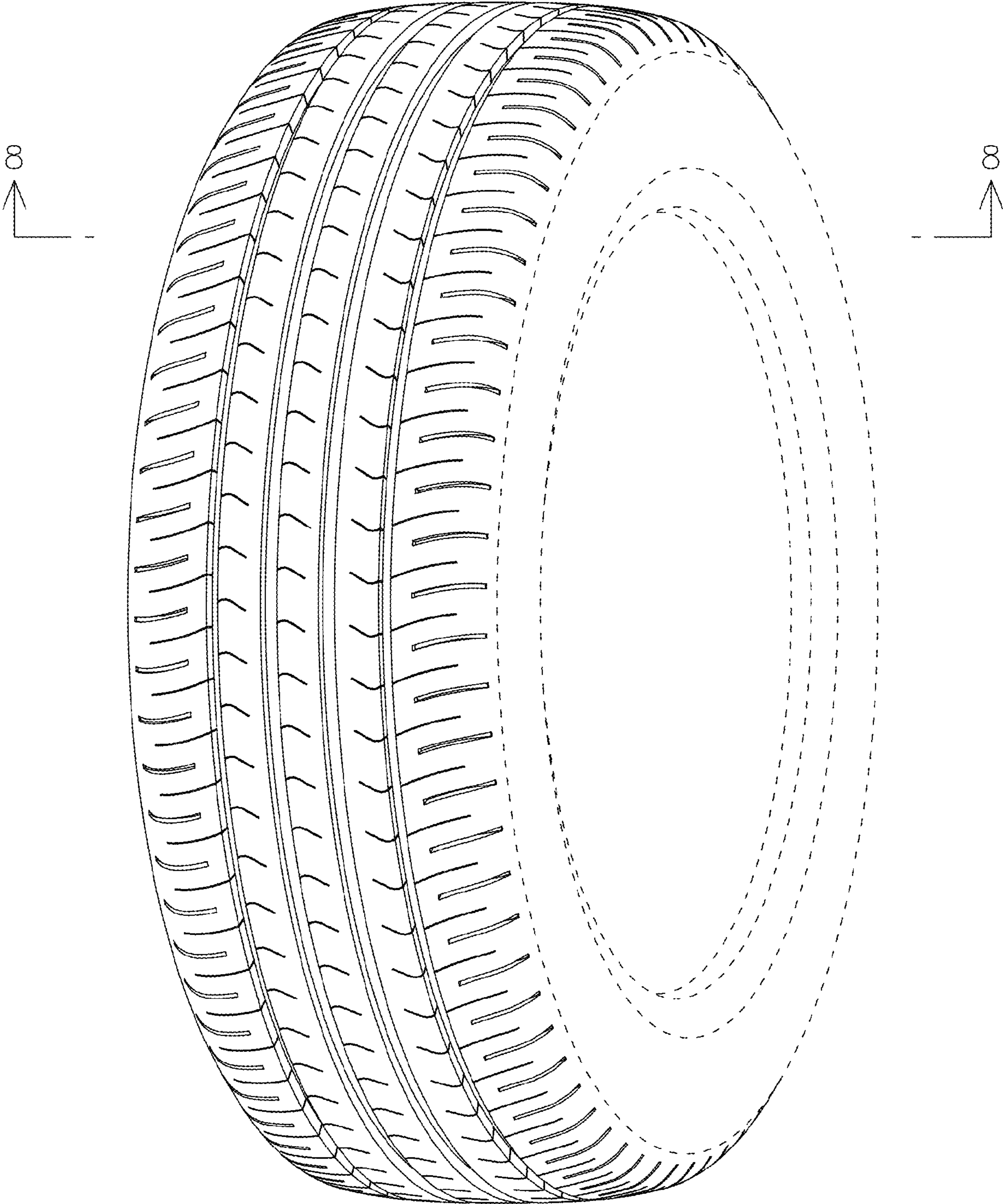


FIG. 1

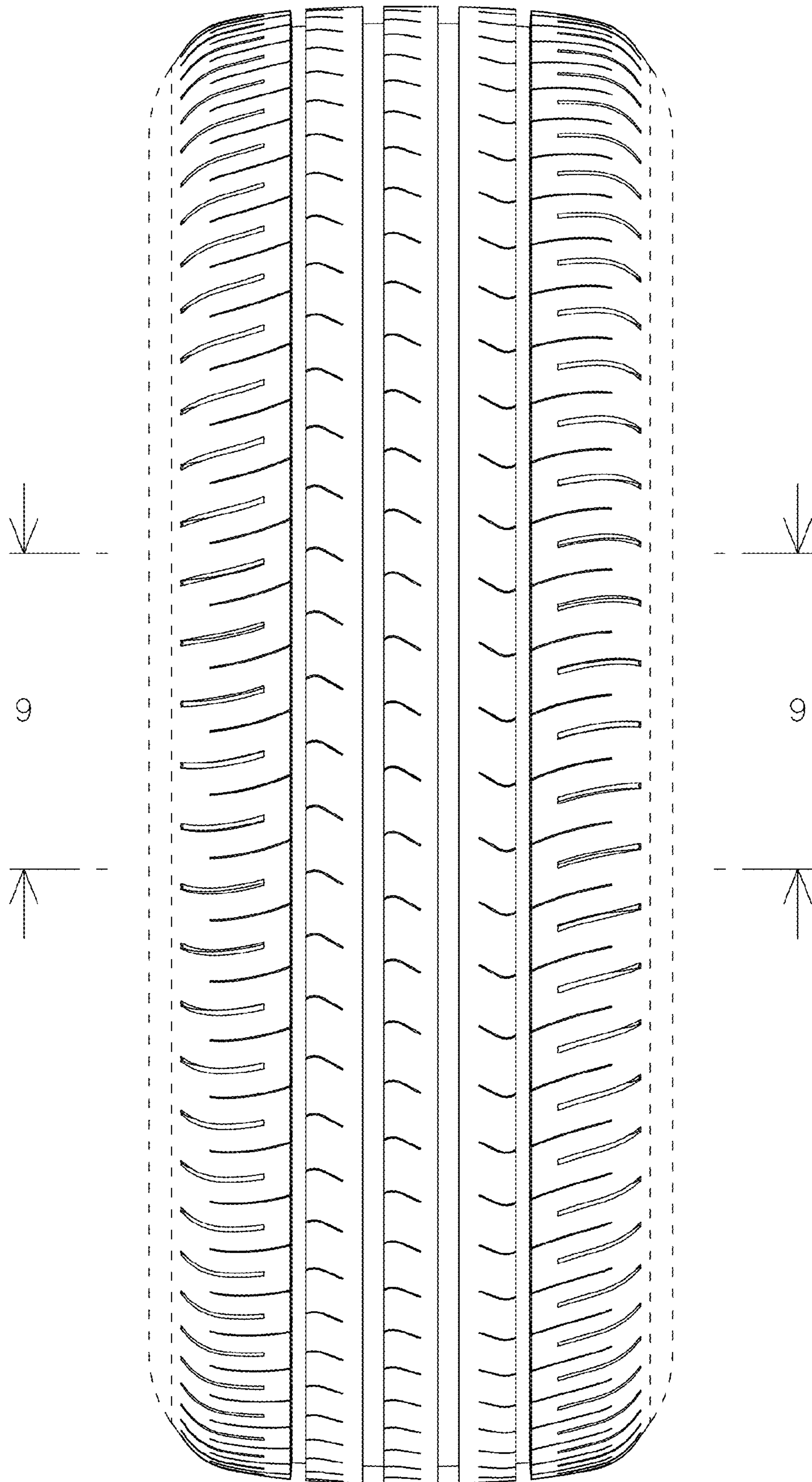


FIG. 2



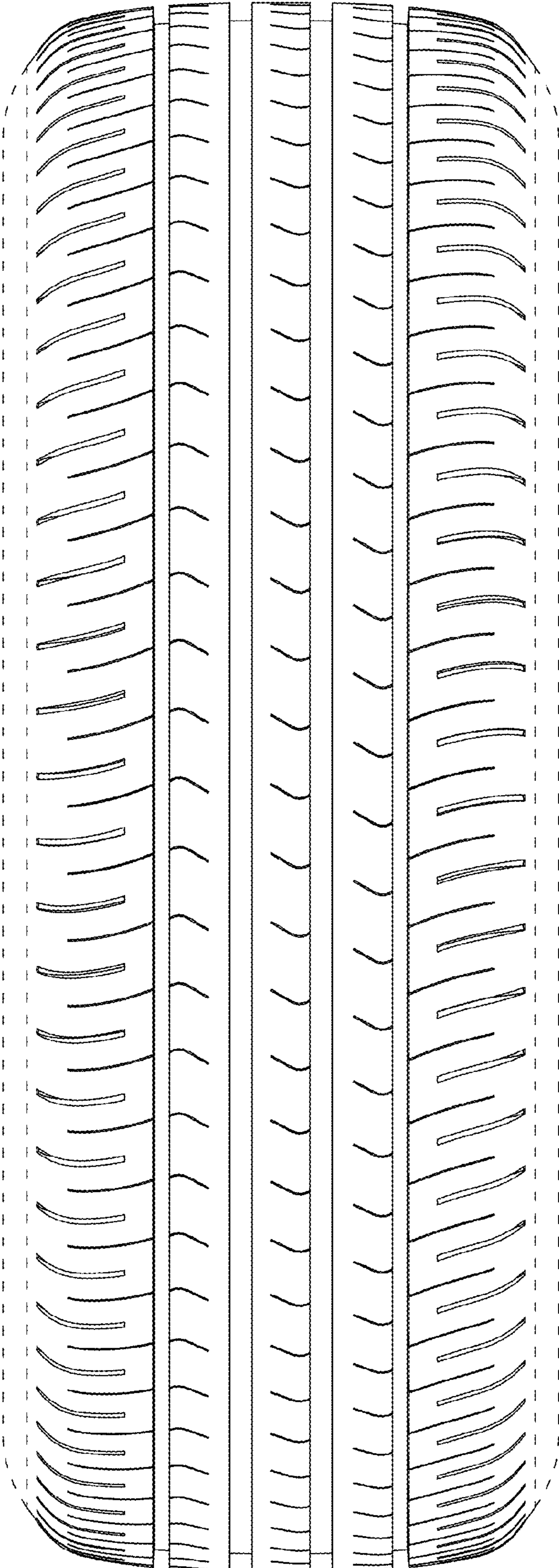


FIG. 3

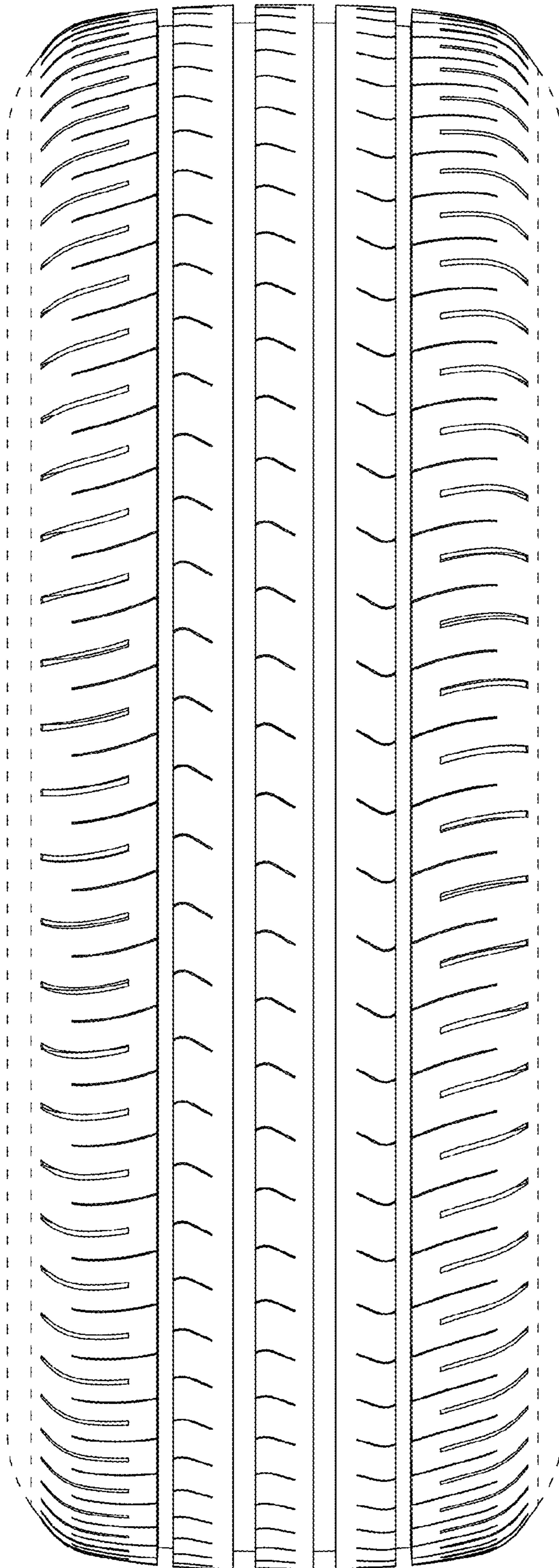


FIG. 4

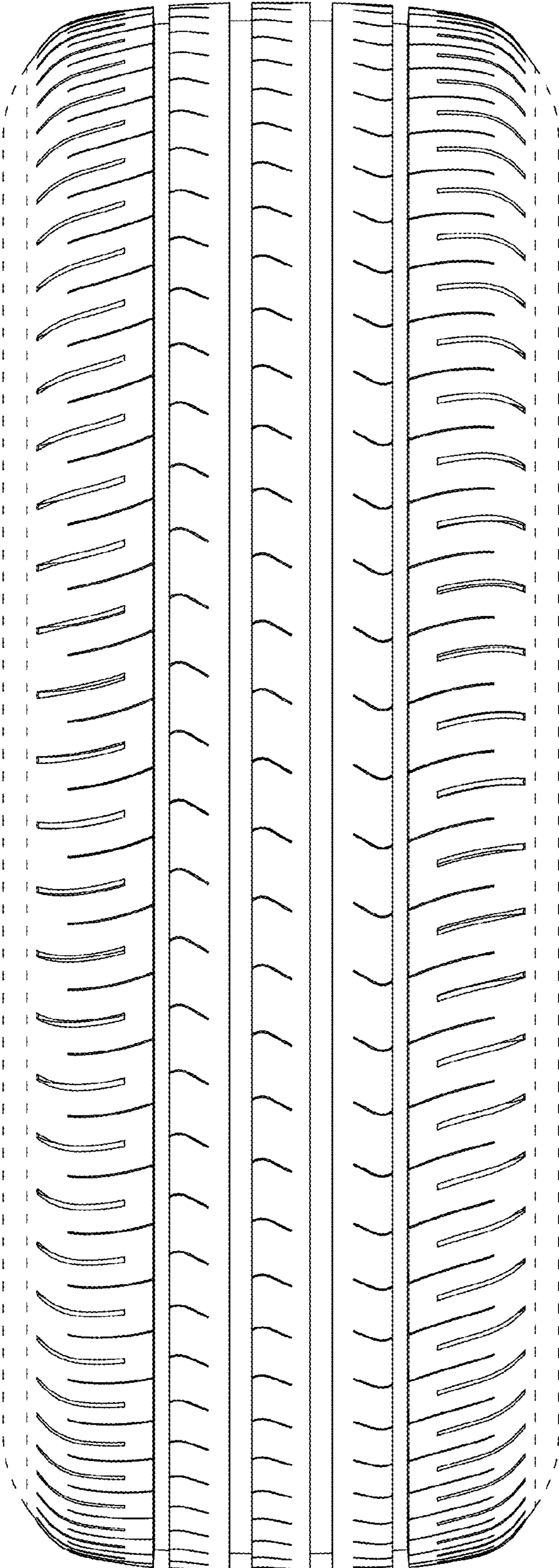


FIG. 5



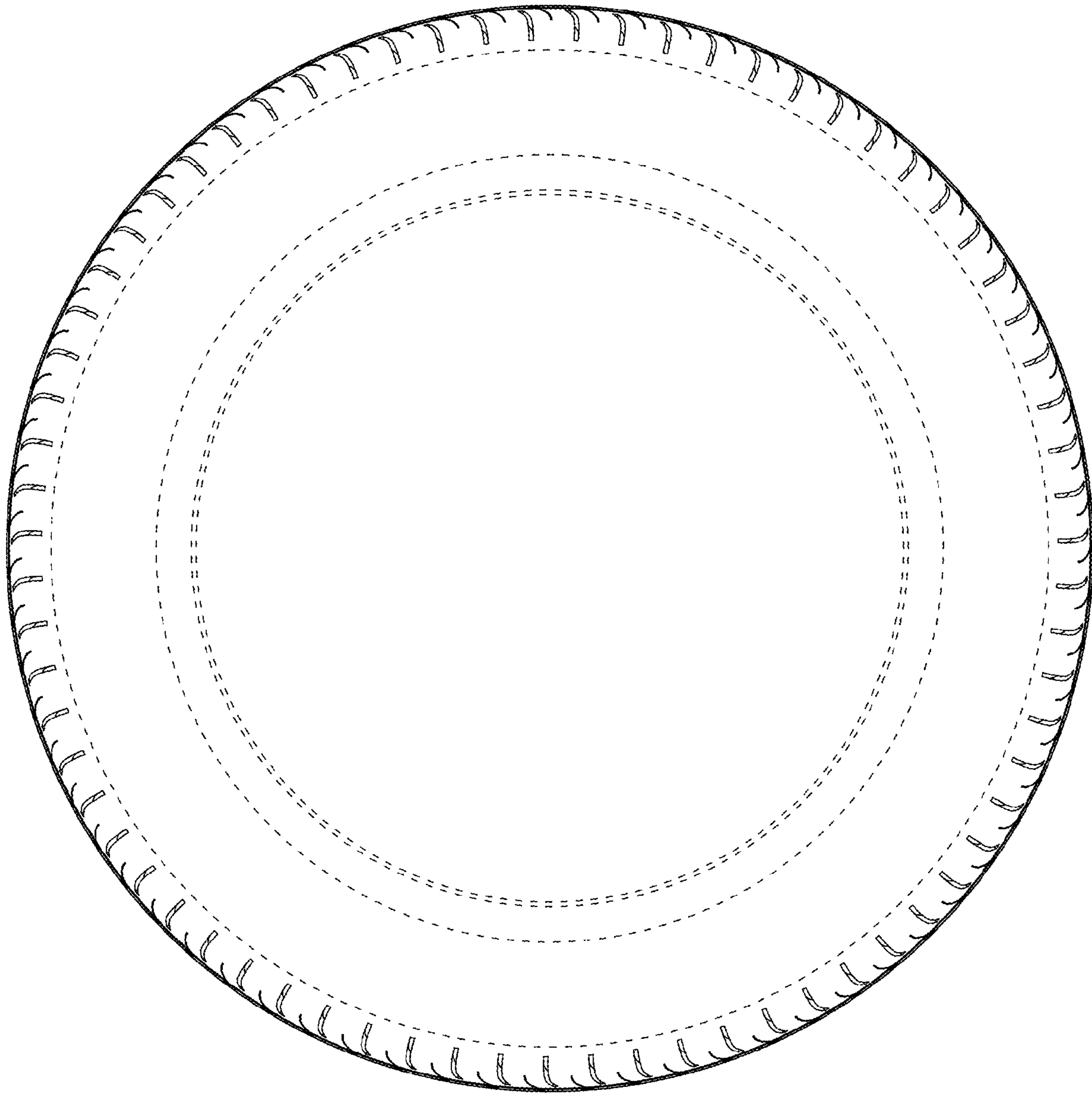


FIG. 6

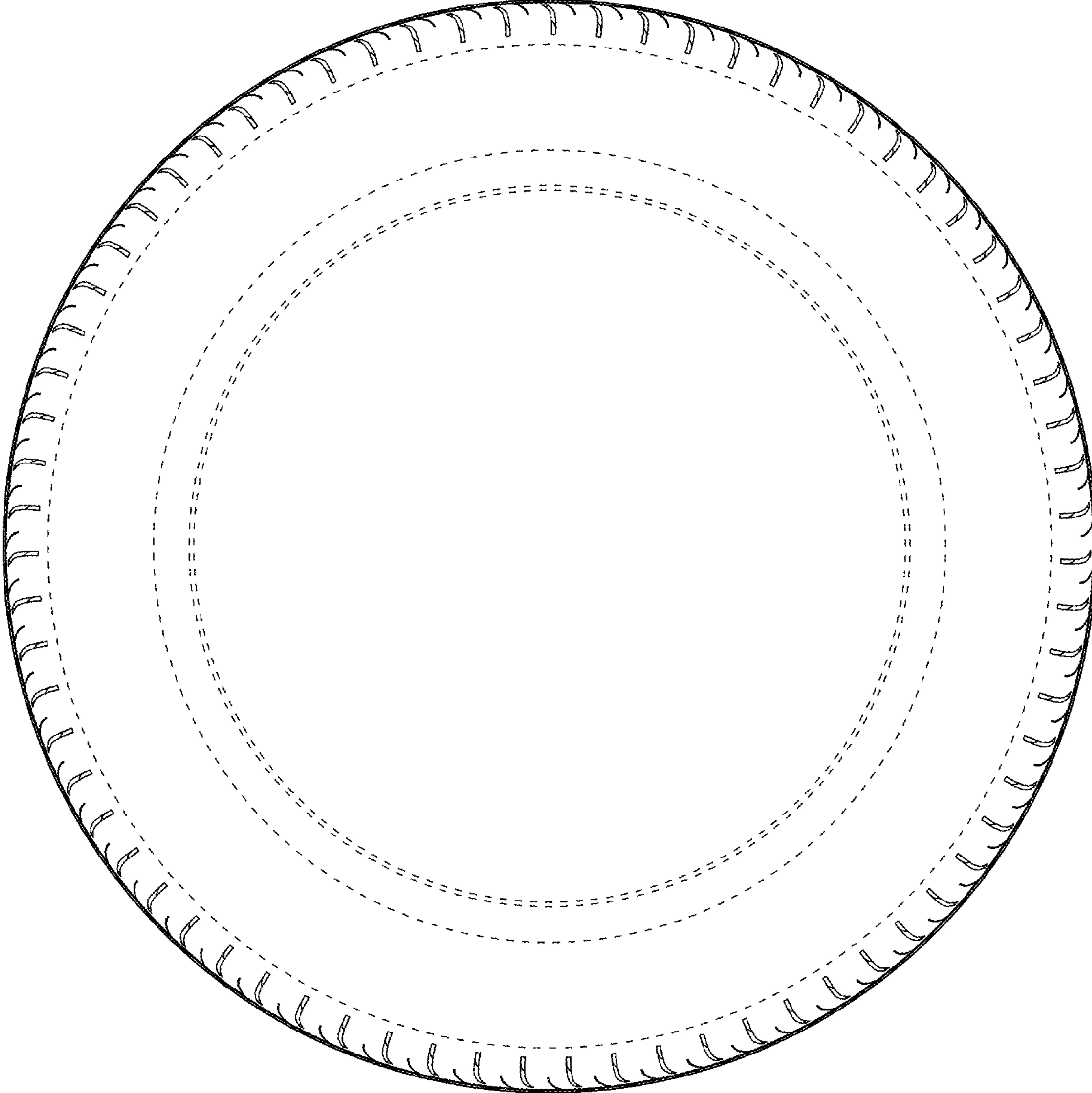


FIG. 7



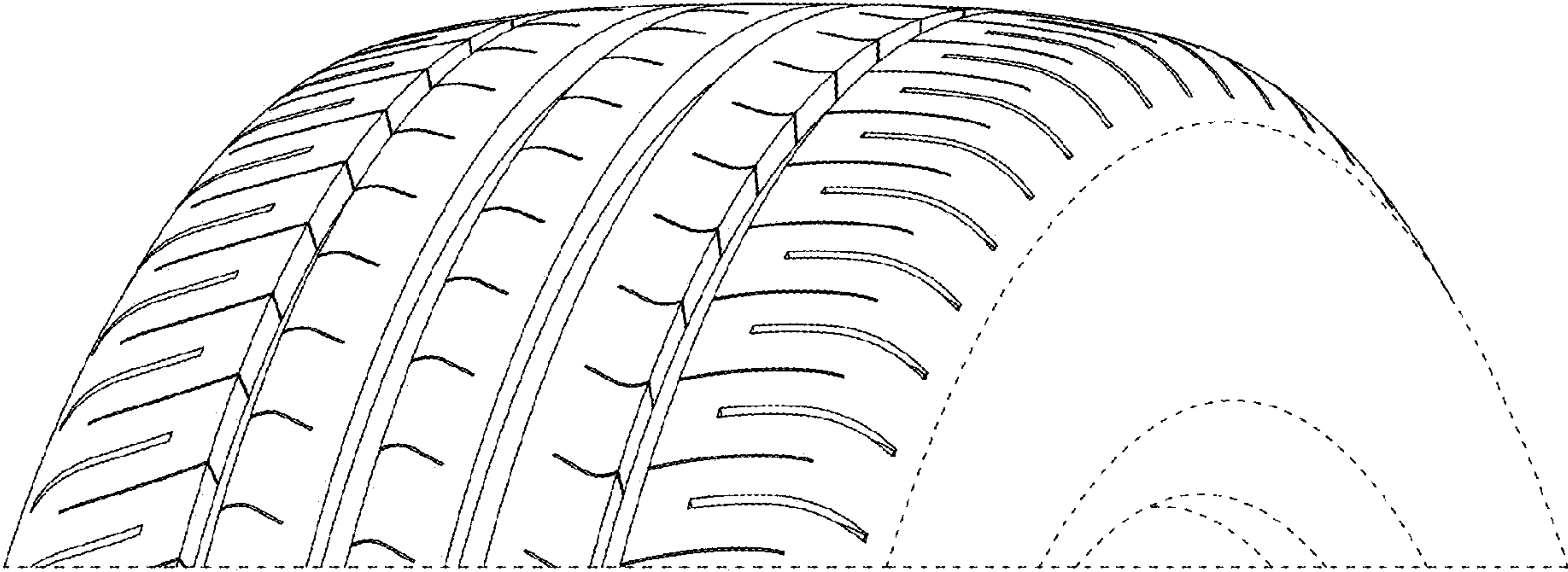


FIG. 8

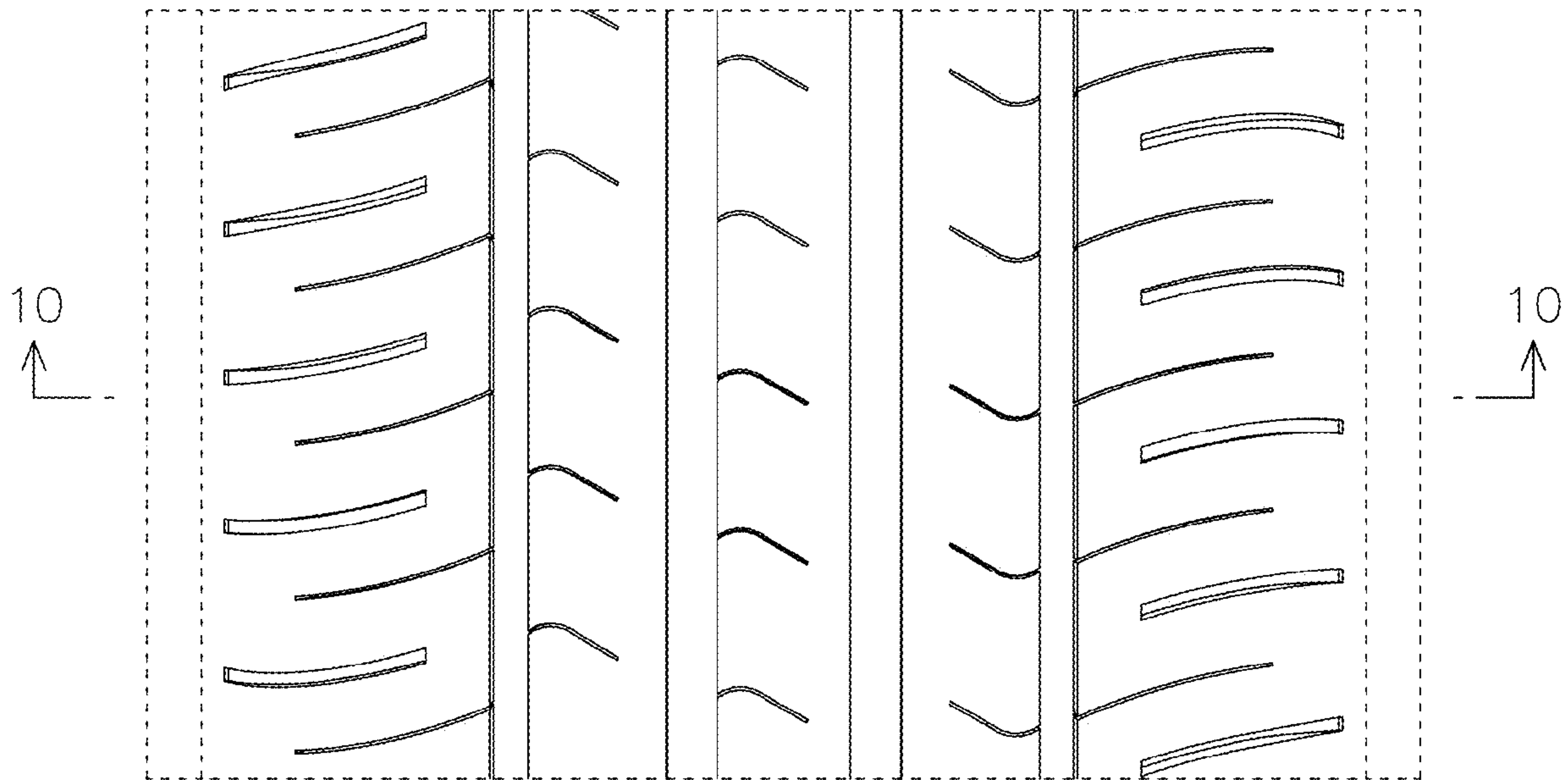


FIG. 9

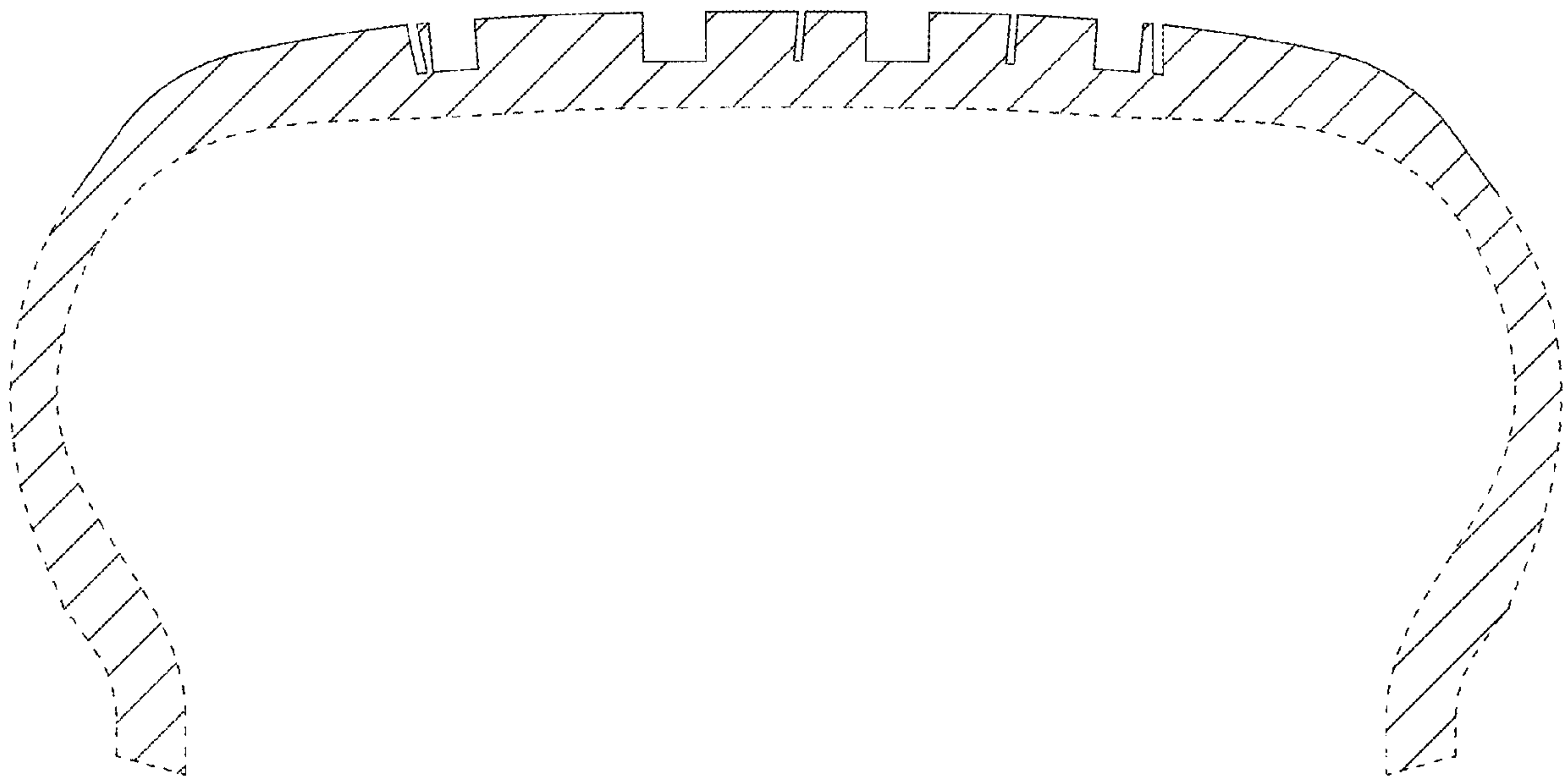


FIG. 10