



US00D894094S

(12) **United States Design Patent**  
**Kameda**

(10) **Patent No.:** **US D894,094 S**

(45) **Date of Patent:** **\*\* \*Aug. 25, 2020**

(54) **AUTOMOBILE TIRE**

(71) Applicant: **THE YOKOHAMA RUBBER CO., LTD.**, Minato-ku, Tokyo (JP)

(72) Inventor: **Norifumi Kameda**, Hiratsuka (JP)

(73) Assignee: **THE YOKOHAMA RUBBER CO., LTD.**, Minato-ku, Tokyo (JP)

(\*) Notice: This patent is subject to a terminal disclaimer.

(\*\*) Term: **15 Years**

(21) Appl. No.: **29/658,624**

(22) Filed: **Aug. 1, 2018**

(30) **Foreign Application Priority Data**

Feb. 1, 2018 (JP) ..... 2018-001976

(51) **LOC (12) Cl.** ..... **12-15**

(52) **U.S. Cl.**  
USPC ..... **D12/516**

(58) **Field of Classification Search**  
USPC ..... D12/500-532, 604  
CPC ..... Y10T 152/10027; B60C 1/0016; B60C 11/0306; B60C 11/0302; B60C 3/06; B60C 9/17

See application file for complete search history.

(56) **References Cited**

**U.S. PATENT DOCUMENTS**

D400,140 S	*	10/1998	Graas	.....	D12/552
D650,734 S	*	12/2011	Mita	.....	D12/517
D696,182 S	*	12/2013	Sakamoto	.....	D12/519
D719,079 S	*	12/2014	Horiuchi	.....	D12/519
D758,954 S	*	6/2016	Albouy	.....	D12/518
D773,977 S	*	12/2016	Dixon	.....	D12/521
D785,543 S	*	5/2017	Suzuki	.....	D12/520

(Continued)

**FOREIGN PATENT DOCUMENTS**

EP D000405113-0010 9/2005  
EP D00730940-0017 5/2007

(Continued)

**OTHER PUBLICATIONS**

Feb. 20, 2019—(TW) Office Action—App 107304437, 6 pages—Eng Tran.

(Continued)

*Primary Examiner* — Lakiya G Rogers

*Assistant Examiner* — John A Voytek

(74) *Attorney, Agent, or Firm* — Banner & Witcoff, Ltd.

(57) **CLAIM**

The ornamental design for an automobile tire, as shown and described.

**DESCRIPTION**

FIG. 1 is a perspective view of an automobile tire showing our design;

FIG. 2 is a front view thereof;

FIG. 3 is a rear view thereof;

FIG. 4 is a right side view thereof;

FIG. 5 is a left side view thereof;

FIG. 6 is a top view thereof;

FIG. 7 is a bottom view thereof;

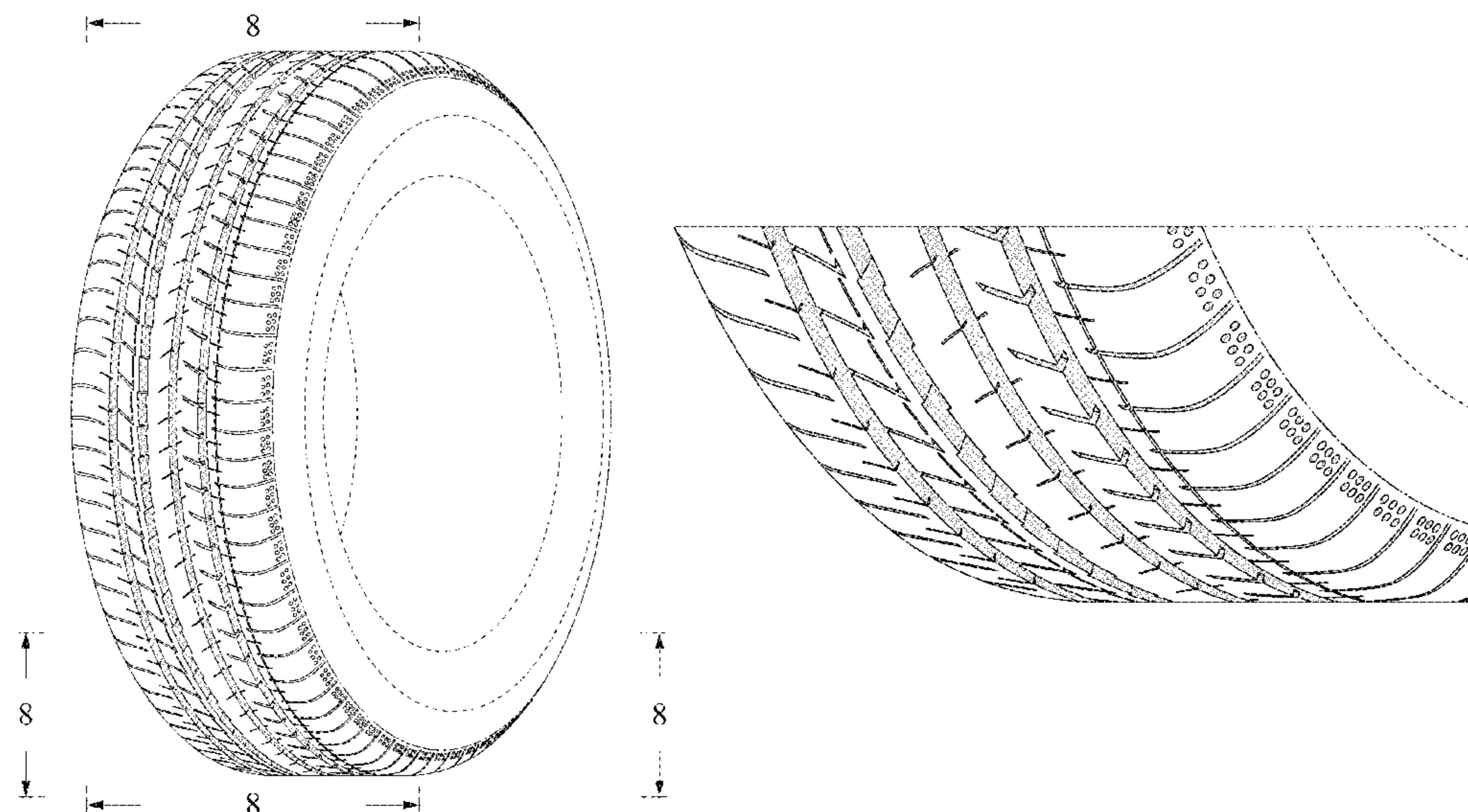
FIG. 8 is a partially enlarged view of a portion defined by lines 8-8 shown in FIG. 1;

FIG. 9 is a partially enlarged view of a portion defined by lines 9-9 shown in FIG. 2; and,

FIG. 10 is a cross sectional view of a portion defined by lines 10-10 shown in FIG. 9.

In the drawings, the broken lines depict environmental subject matter only and form no part of the claimed design. The dot and dashed lines represents a boundary between the claimed portion and the non-claimed portion.

**1 Claim, 10 Drawing Sheets**



(56)

**References Cited**

U.S. PATENT DOCUMENTS

D790,440 S \* 6/2017 Schoepner ..... D12/521  
D800,636 S \* 10/2017 Morita ..... D12/516  
D808,331 S \* 1/2018 Schoepner ..... D12/521  
D819,546 S \* 6/2018 Suzuki ..... D12/516  
D828,281 S \* 9/2018 Luke ..... D12/521  
D853,314 S \* 7/2019 Raatikainen ..... D12/523  
2012/0285592 A1 \* 11/2012 Kameda ..... B60C 11/1392  
152/209.8

FOREIGN PATENT DOCUMENTS

EP D000945571-0005 6/2008  
EP D003355775-0001 8/2016  
EP D003556281-0001 12/2016  
JP D1559384 9/2017  
TW D160447 S 5/2014  
TW D160650 S 5/2014  
TW D163664 S 10/2014  
TW D175767 S 5/2016  
TW D177762 S 8/2016  
TW D166845 S 9/2016  
TW D178338 S 9/2016  
TW D181081 S 2/2017

OTHER PUBLICATIONS

Jul. 31, 2018—(JP) Office Action—Design Application No. D2018-001976, 1 sheet and 3 sheets of English Translation.

\* cited by examiner

FIG. 1

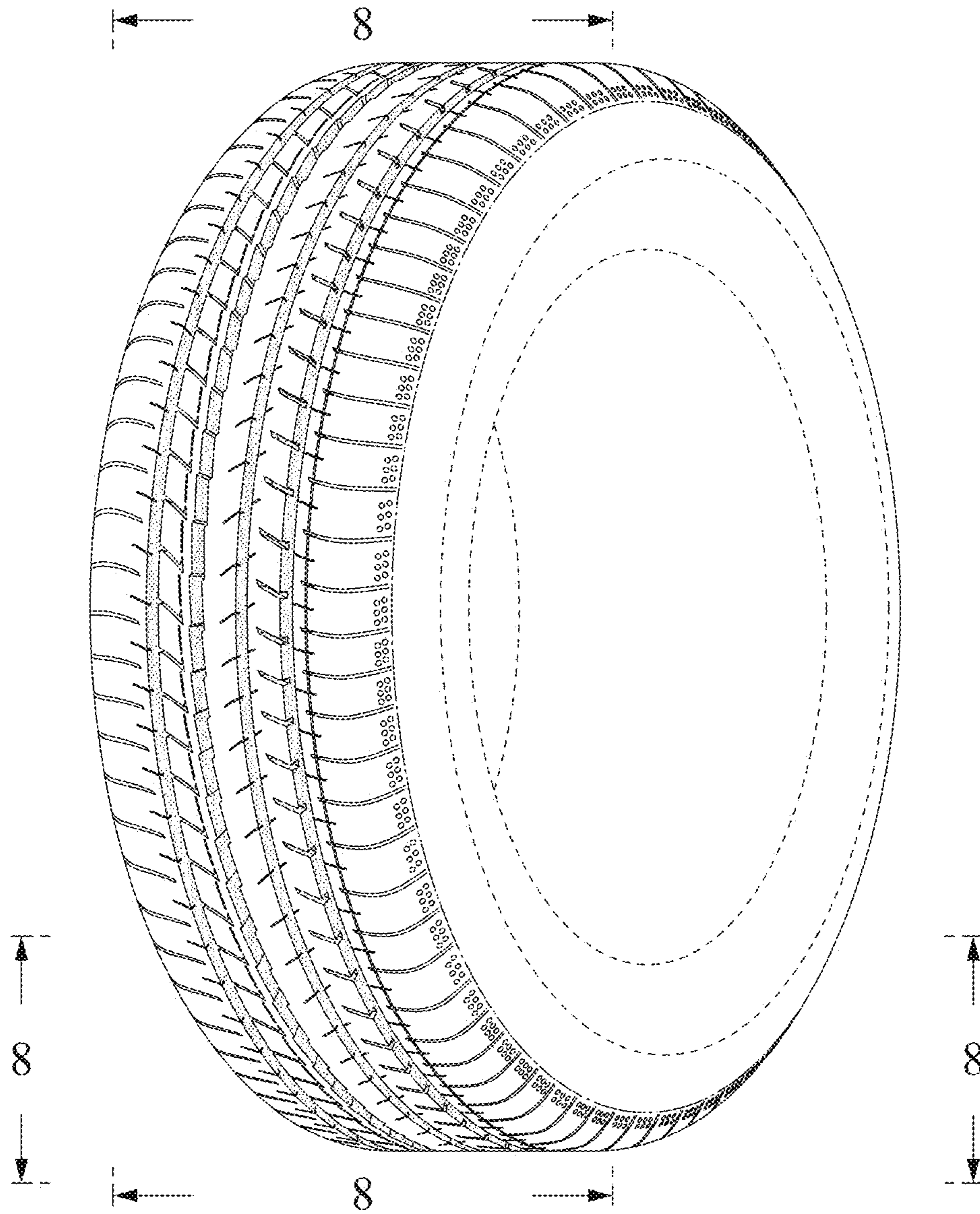
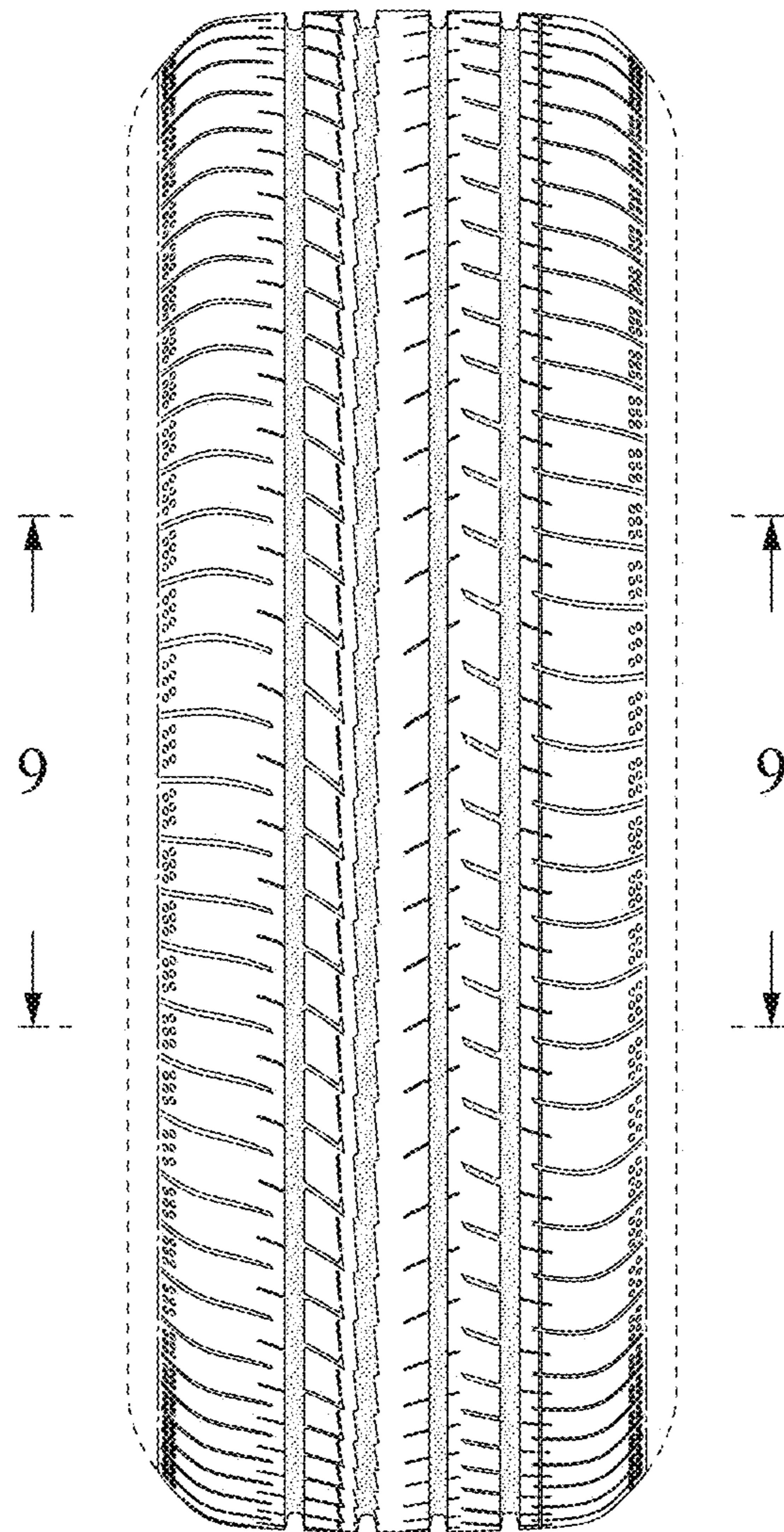




FIG. 2



**FIG. 3**

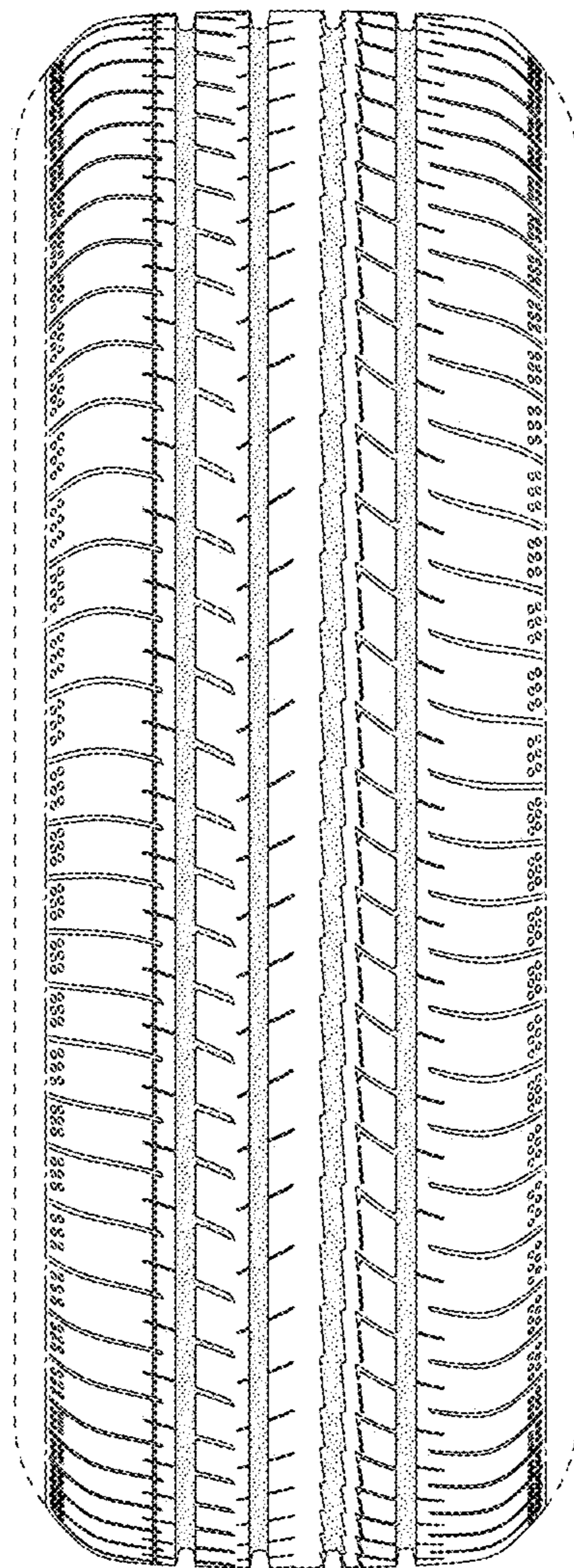
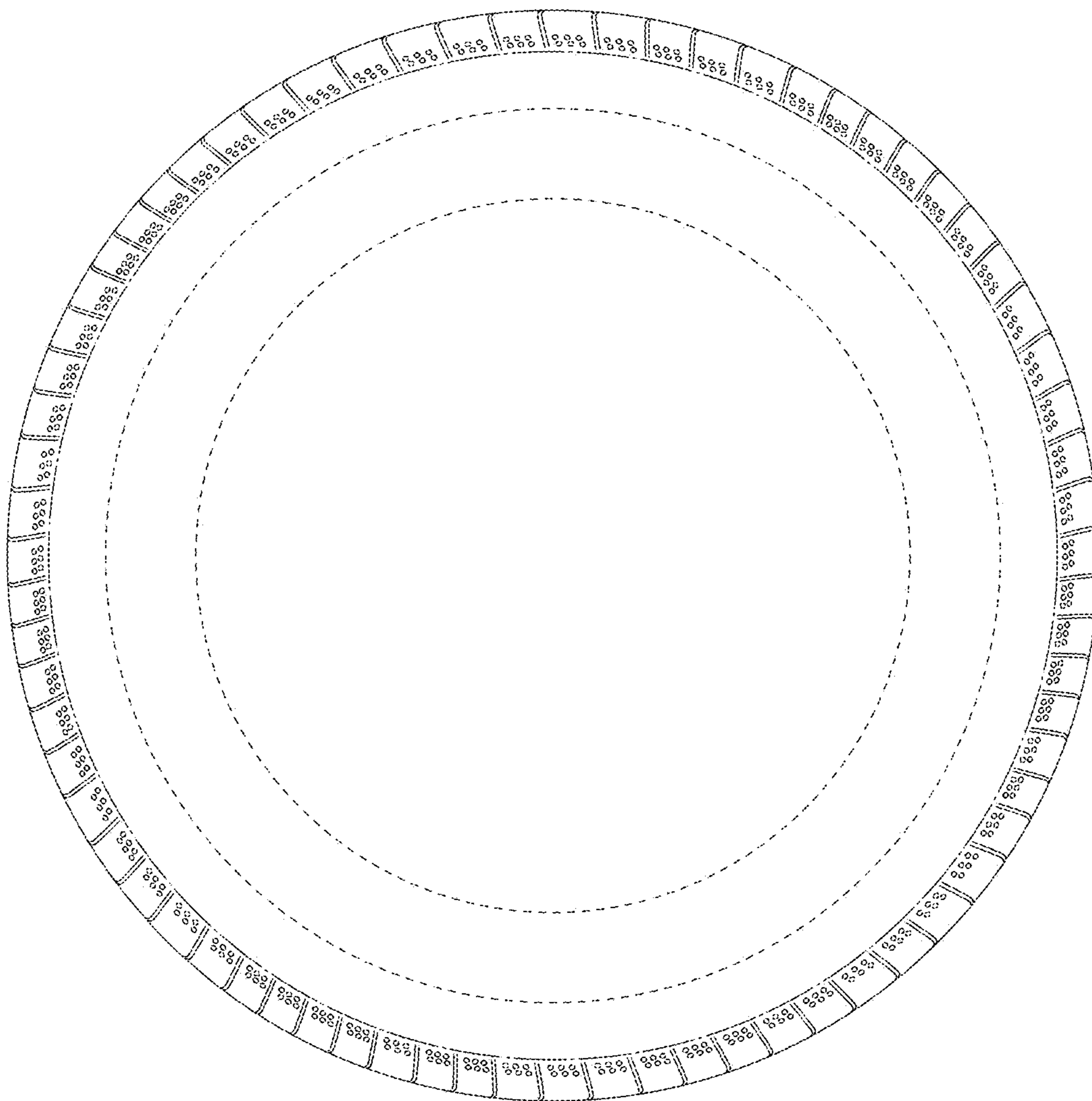
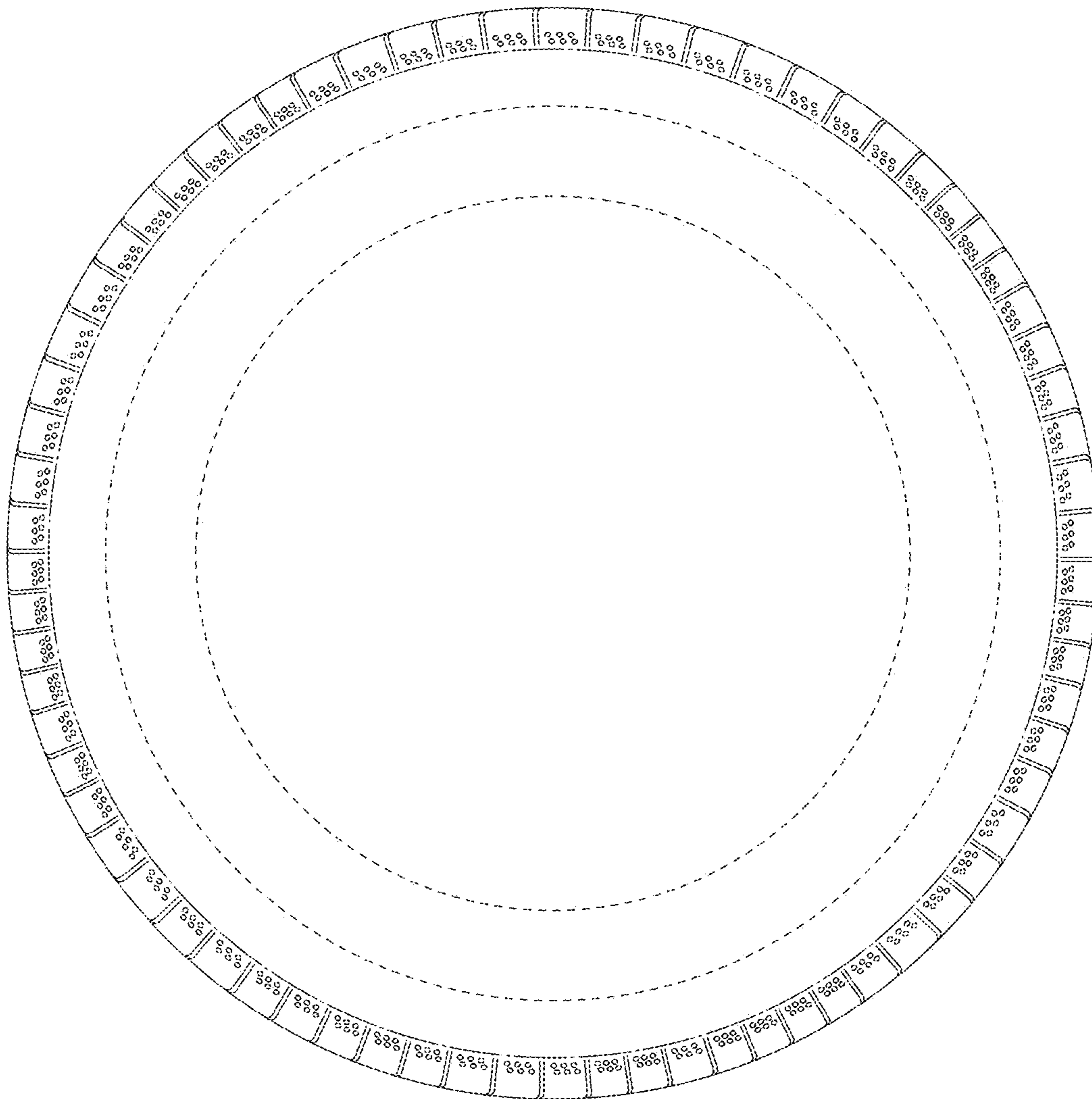


FIG. 4

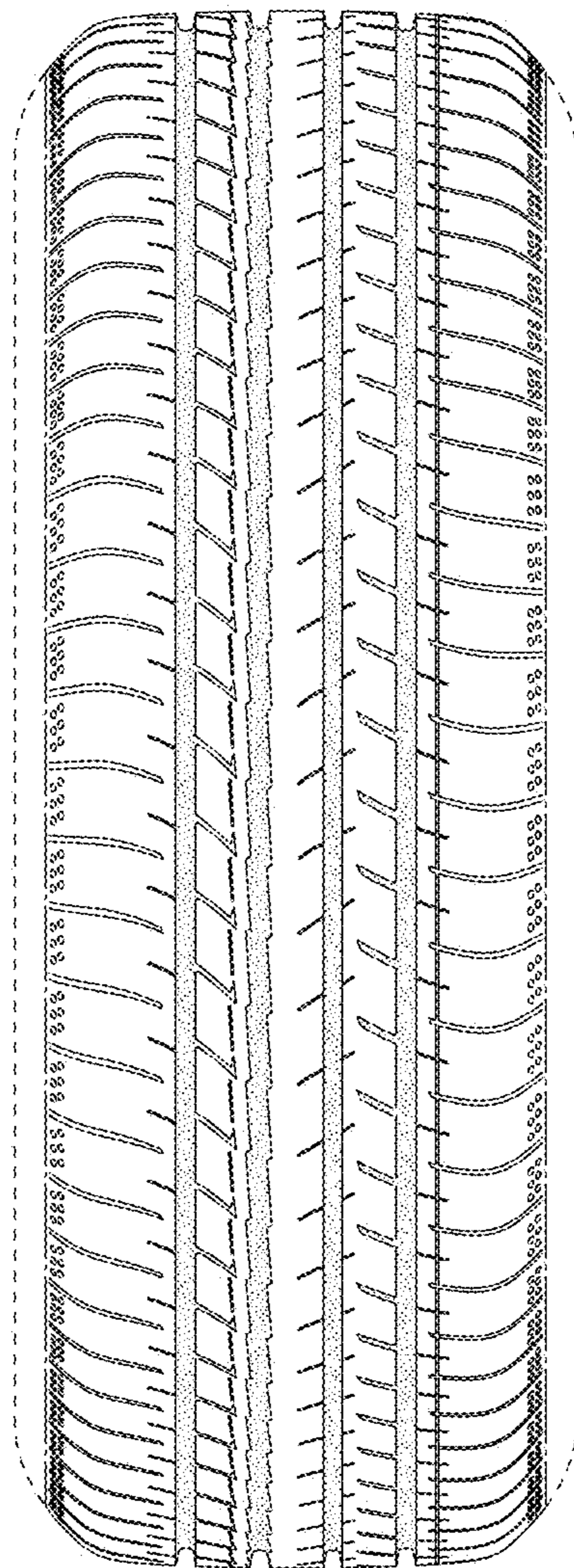


**FIG. 5**



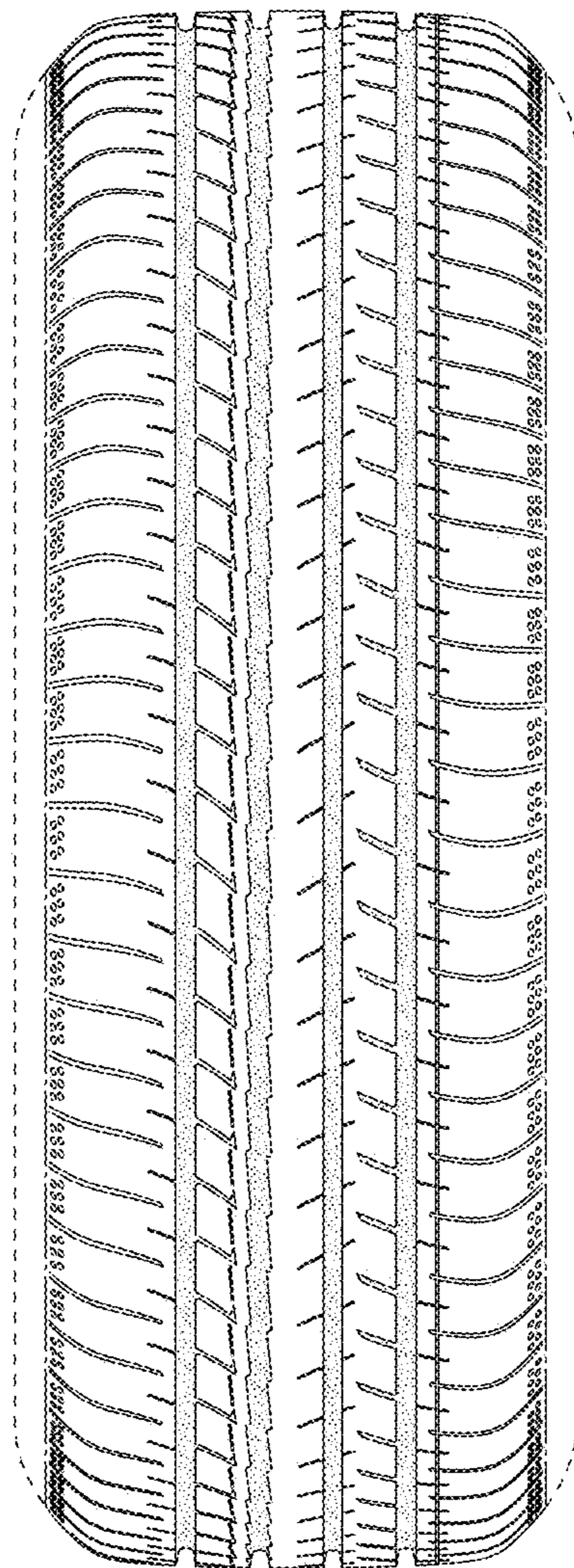


**FIG. 6**





**FIG. 7**



**FIG. 8**

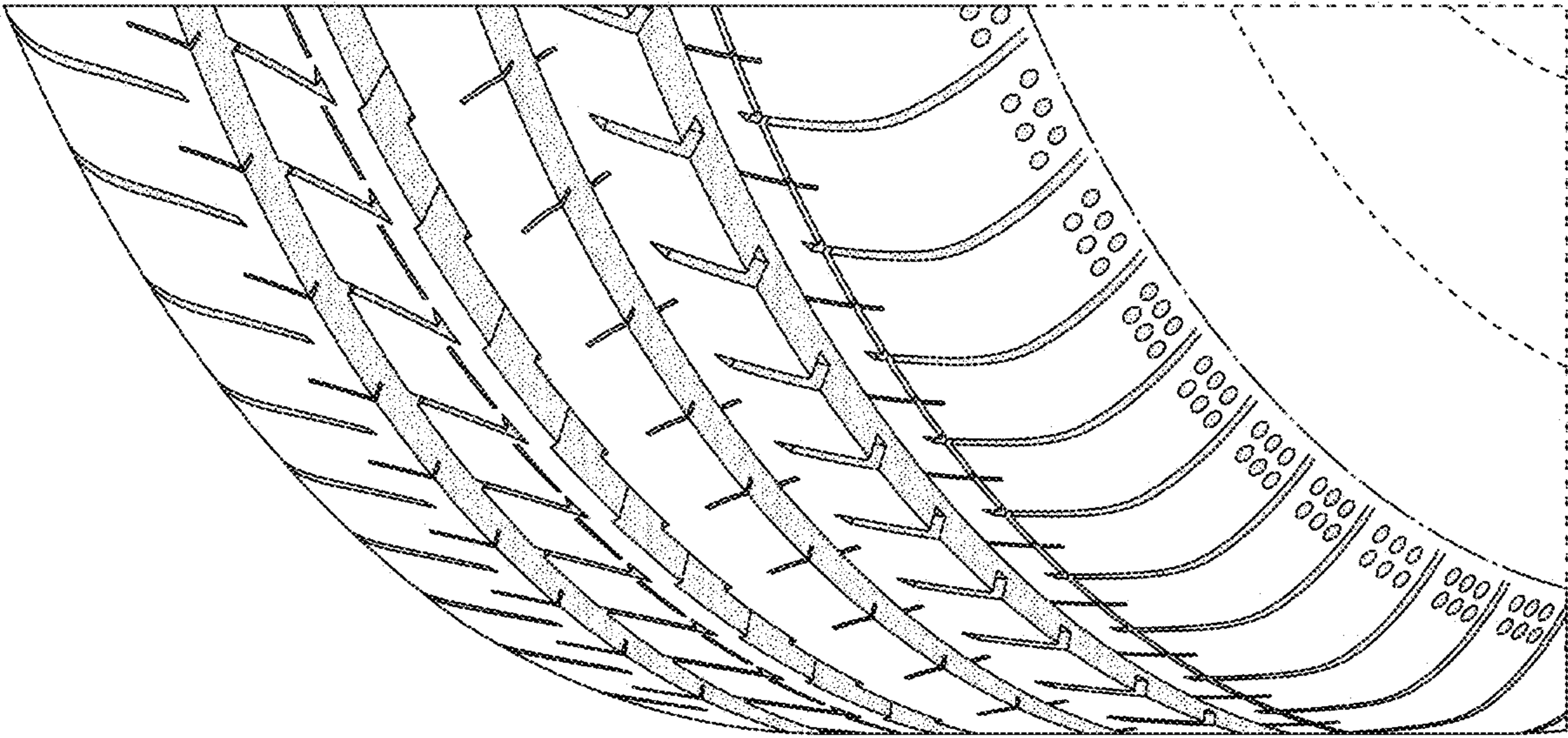
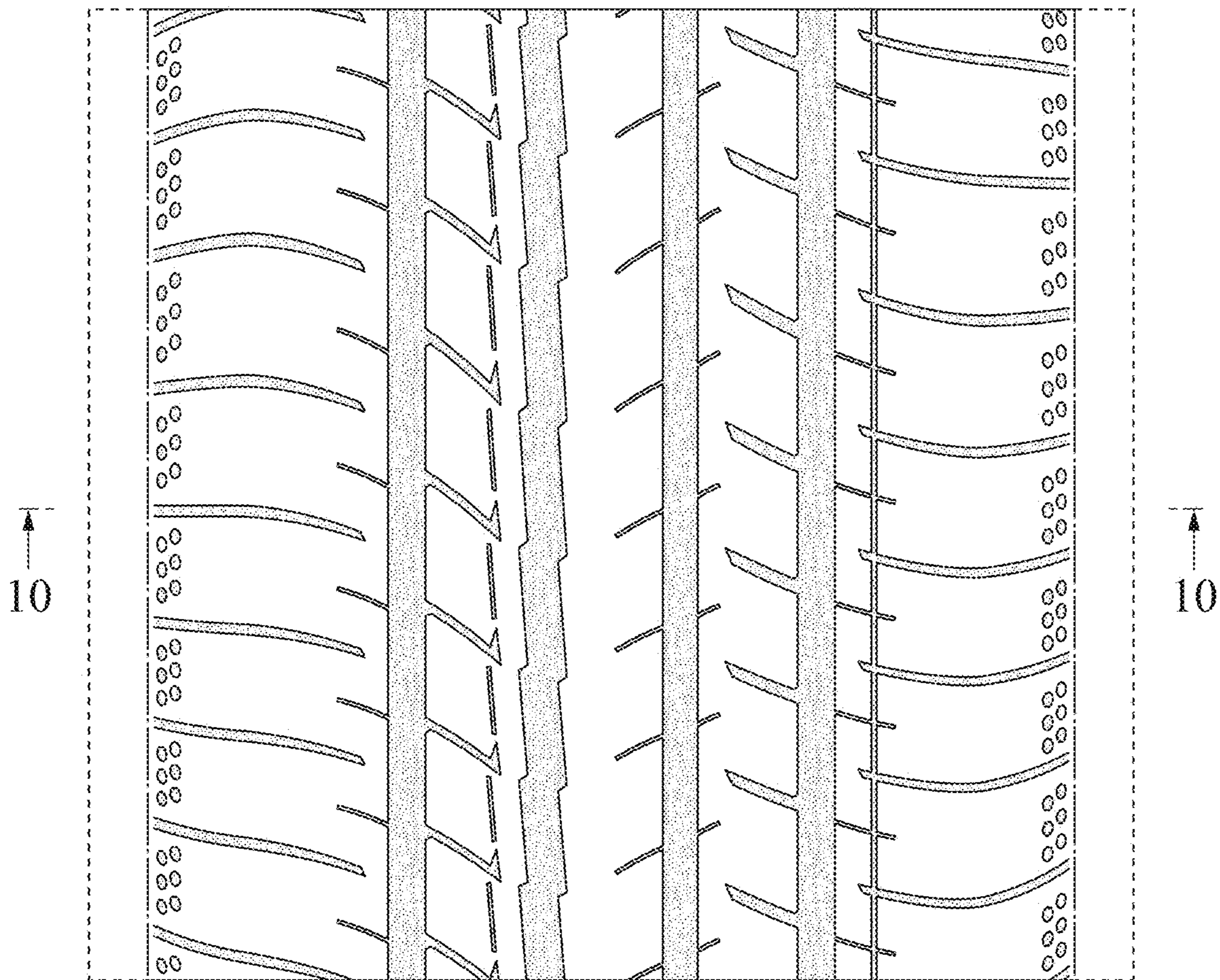


FIG. 9





**FIG. 10**

