



US00D894091S

(12) **United States Design Patent** (10) **Patent No.:** **US D894,091 S**  
**Morris** (45) **Date of Patent:** **\*\* Aug. 25, 2020**

(54) **UTILITY RACK**

(71) Applicant: **William Richard Morris**, Colfax, WA (US)

(72) Inventor: **William Richard Morris**, Colfax, WA (US)

(\*\*) Term: **15 Years**

(21) Appl. No.: **29/656,223**

(22) Filed: **Jul. 11, 2018**

(51) **LOC (12) Cl.** ..... **12-16**

(52) **U.S. Cl.**  
USPC ..... **D12/412**

(58) **Field of Classification Search**  
CPC ..... B60R 9/04; B60R 9/048; B60R 9/045  
See application file for complete search history.

(56) **References Cited**

**U.S. PATENT DOCUMENTS**

D459,287 S *	6/2002	Beard	.....	D12/406
D586,287 S *	2/2009	McBride	.....	D12/106
D593,927 S *	6/2009	Walton	.....	D12/406
D713,775 S *	9/2014	Lagermann	.....	D12/406
D743,870 S *	11/2015	Galley	.....	D12/406
D754,055 S *	4/2016	Harrison	.....	D12/406
D856,900 S *	8/2019	Baumann	.....	D12/406
D881,790 S *	4/2020	Ni	.....	D12/406
D881,791 S *	4/2020	Ni	.....	D12/406
D883,182 S *	5/2020	Fonnesbeck	.....	D12/412
2005/0092796 A1 *	5/2005	Essig	.....	B60R 9/00 224/321

**OTHER PUBLICATIONS**

Turnkey UTV LLC, "Can Am Commander Expedition Series Cargo Basket", retrieved on Mar. 29, 2019 at <<https://www.turnkeyutv.com/commander/storage-accessories/can-am-commander-expedition-series-cargo-basket>>, 4 pages.

\* cited by examiner

*Primary Examiner* — Katrina A Betton

(74) *Attorney, Agent, or Firm* — Lee & Hayes, P.C.

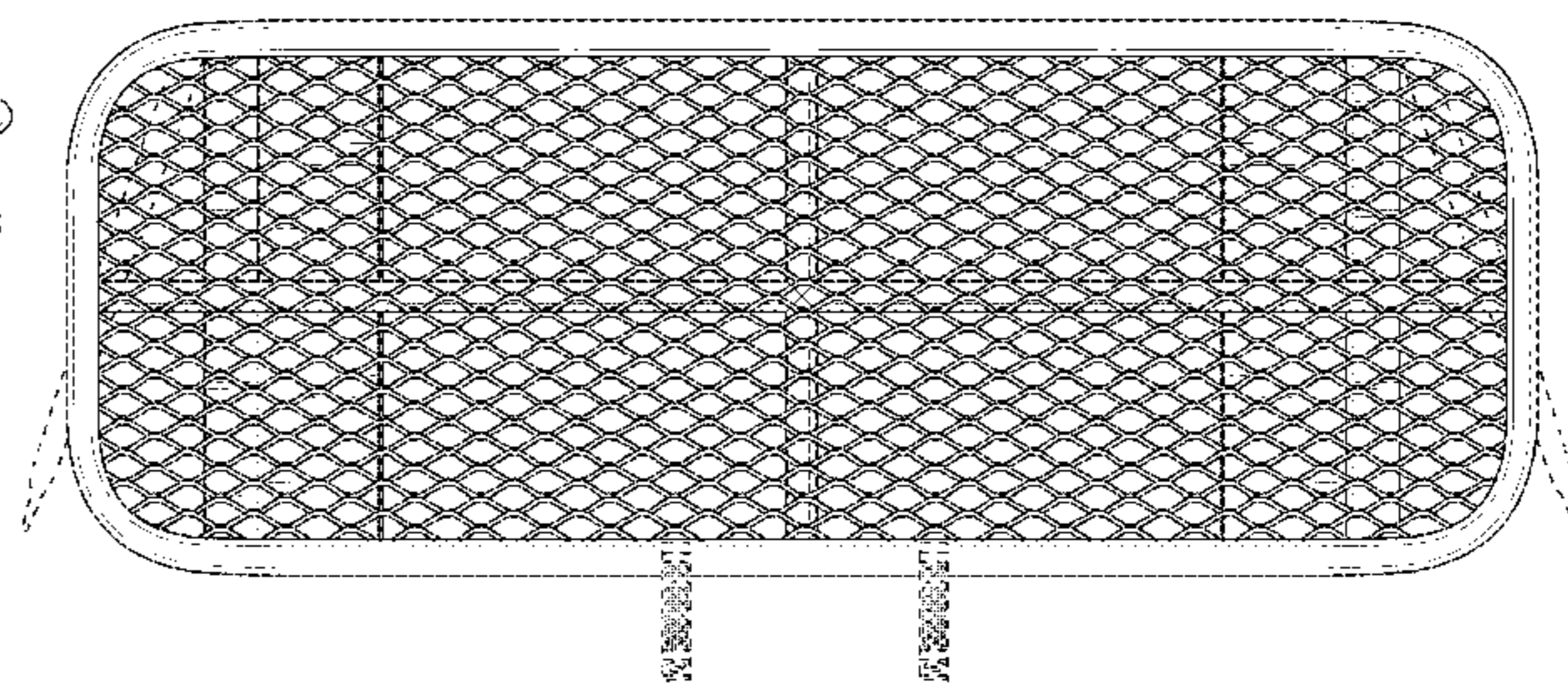
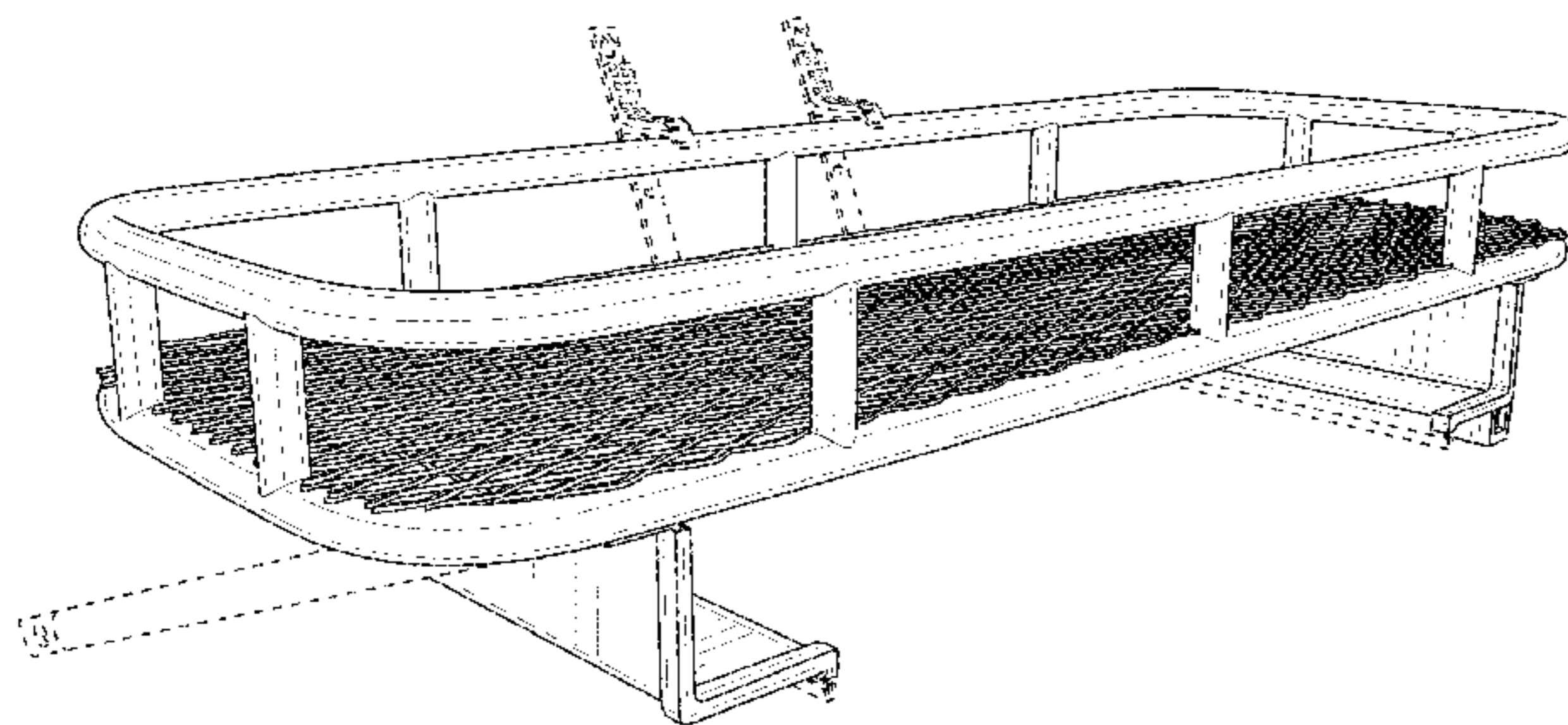
(57) **CLAIM**

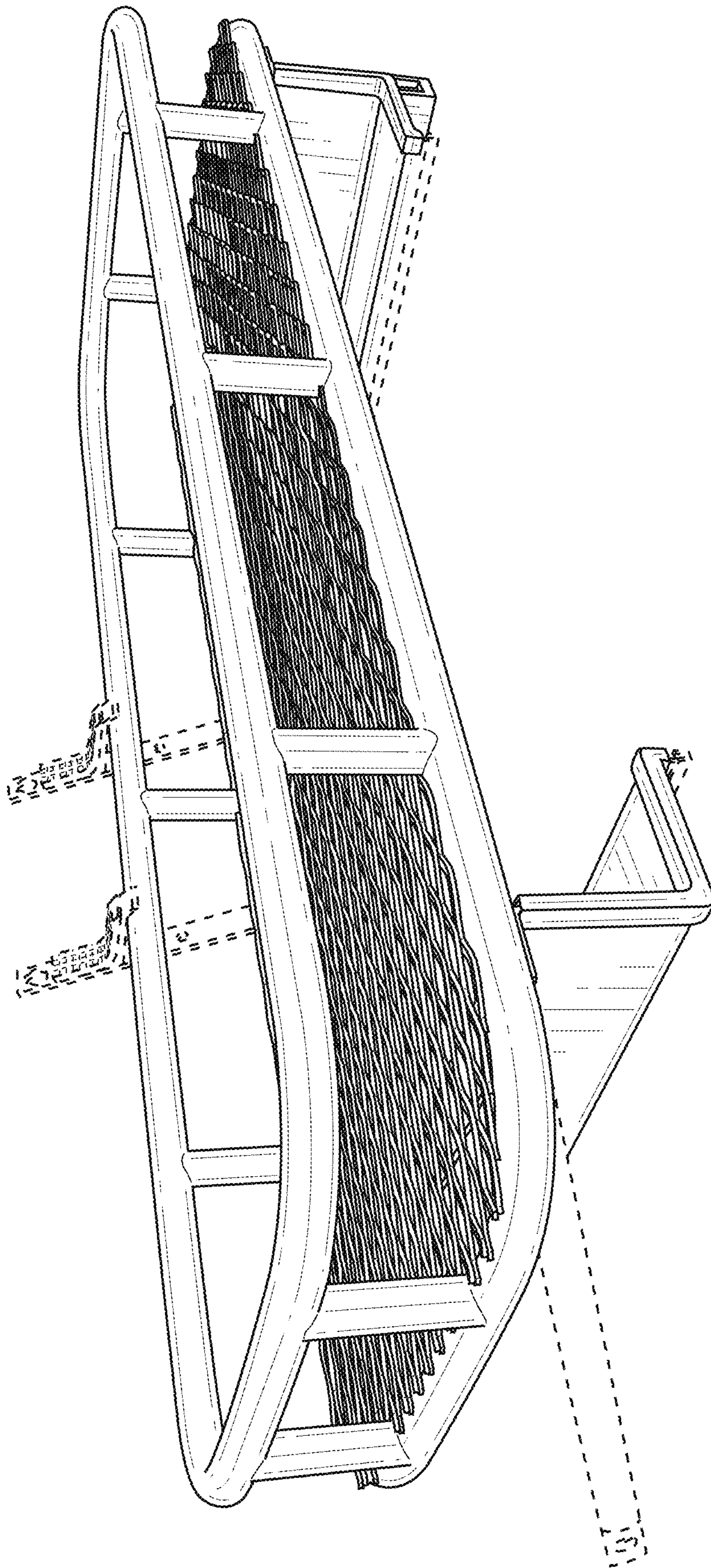
The ornamental design for a utility rack, as shown and described.

**DESCRIPTION**

FIG. 1 is a front perspective view of a first embodiment of a utility rack;  
FIG. 2 is a back view thereof;  
FIG. 3 is a front view thereof;  
FIG. 4 is a right-side view thereof;  
FIG. 5 is a left-side view thereof;  
FIG. 6 is a top view thereof;  
FIG. 7 is a bottom view thereof; and,  
FIG. 8 is a second front perspective view thereof.  
The broken lines depict portions of the utility rack and/or environment of the utility rack which form no part of the claimed design.

**1 Claim, 8 Drawing Sheets**





**FIG. 1**



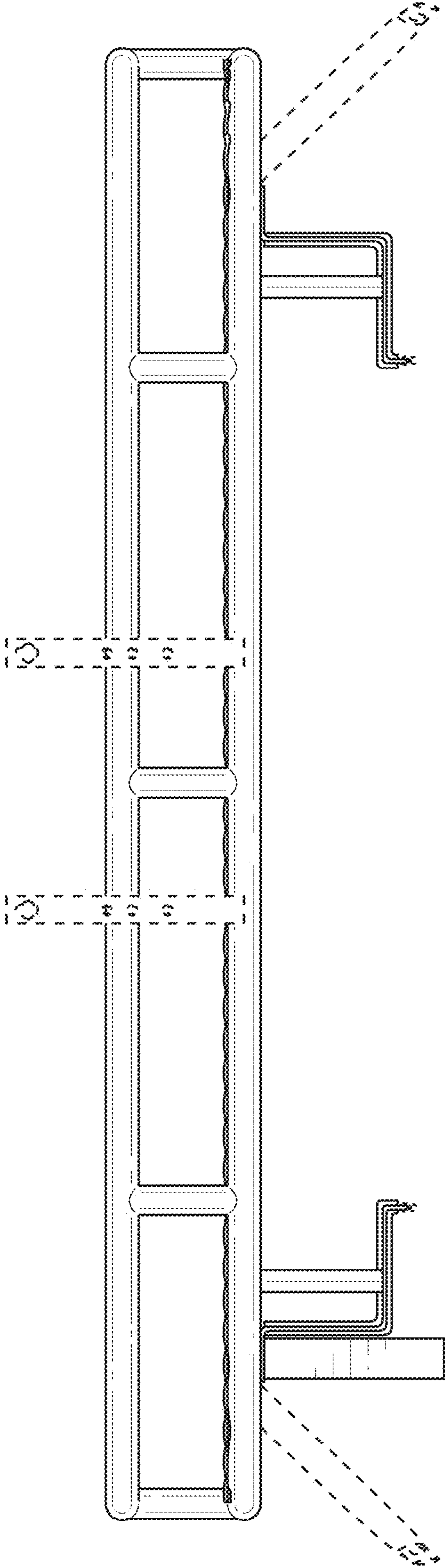


FIG. 2

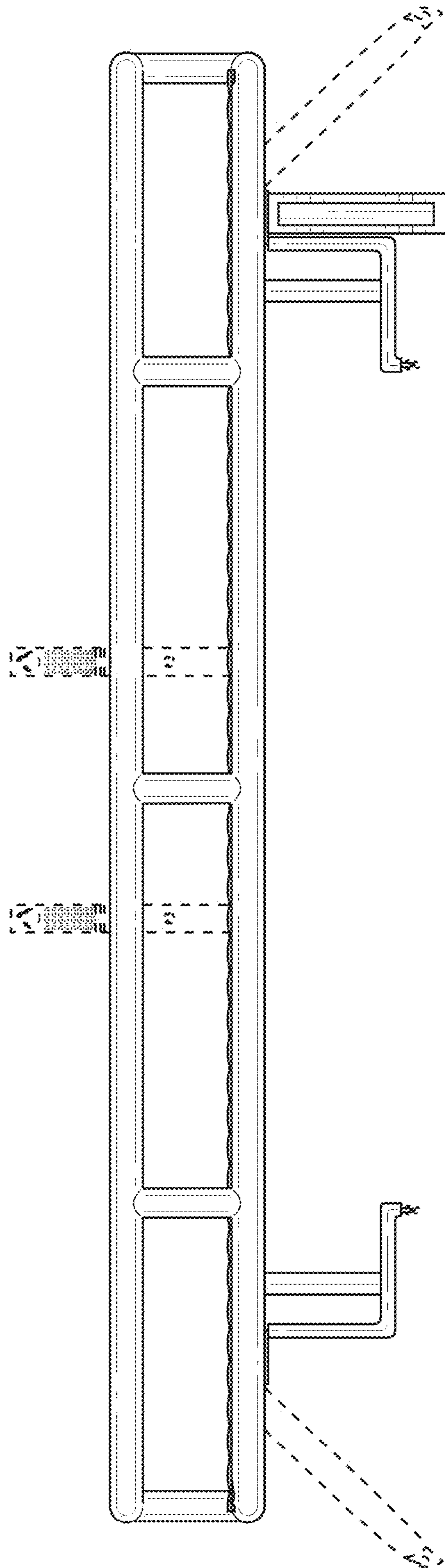
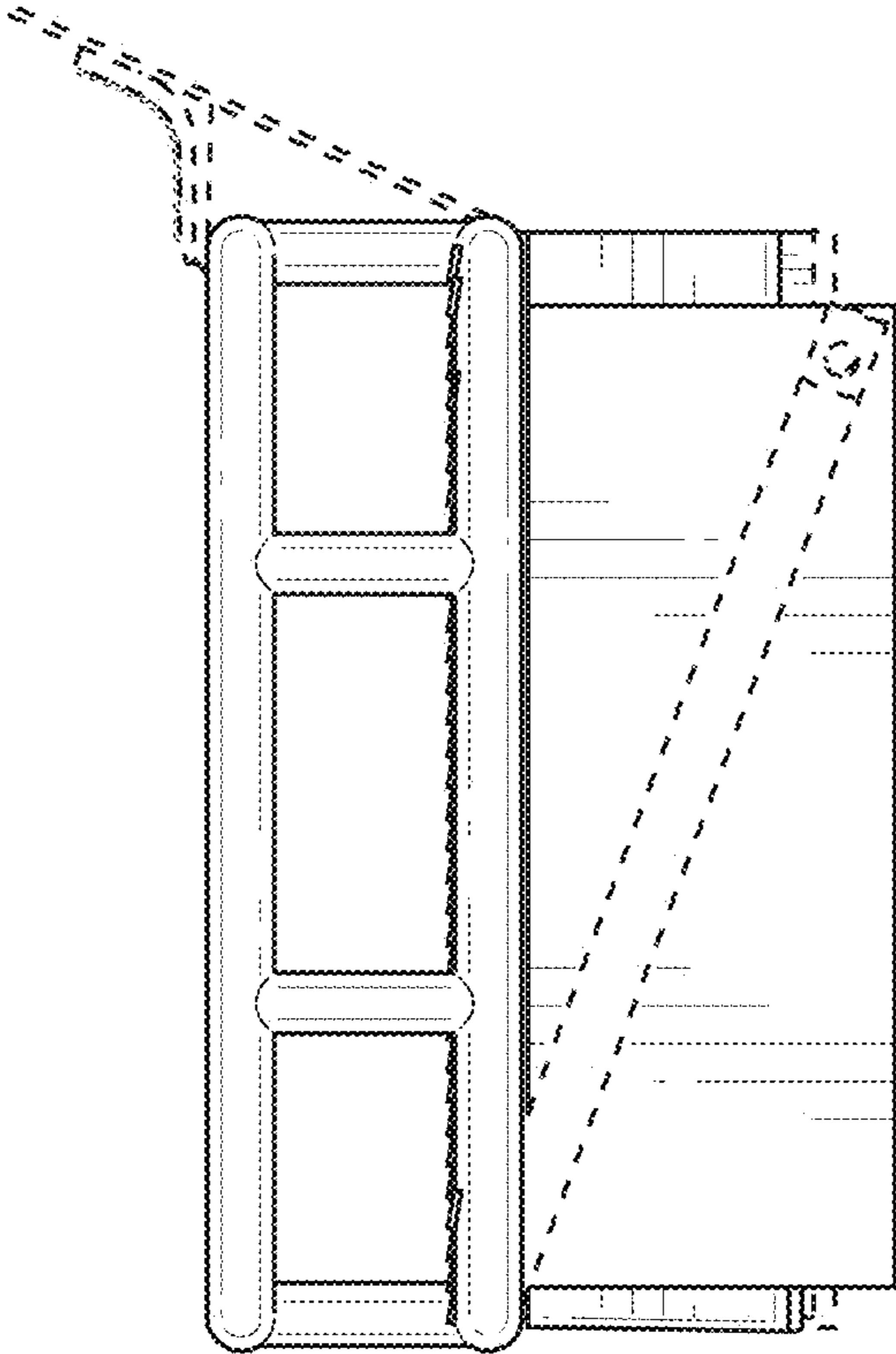


FIG. 3



**FIG. 4**

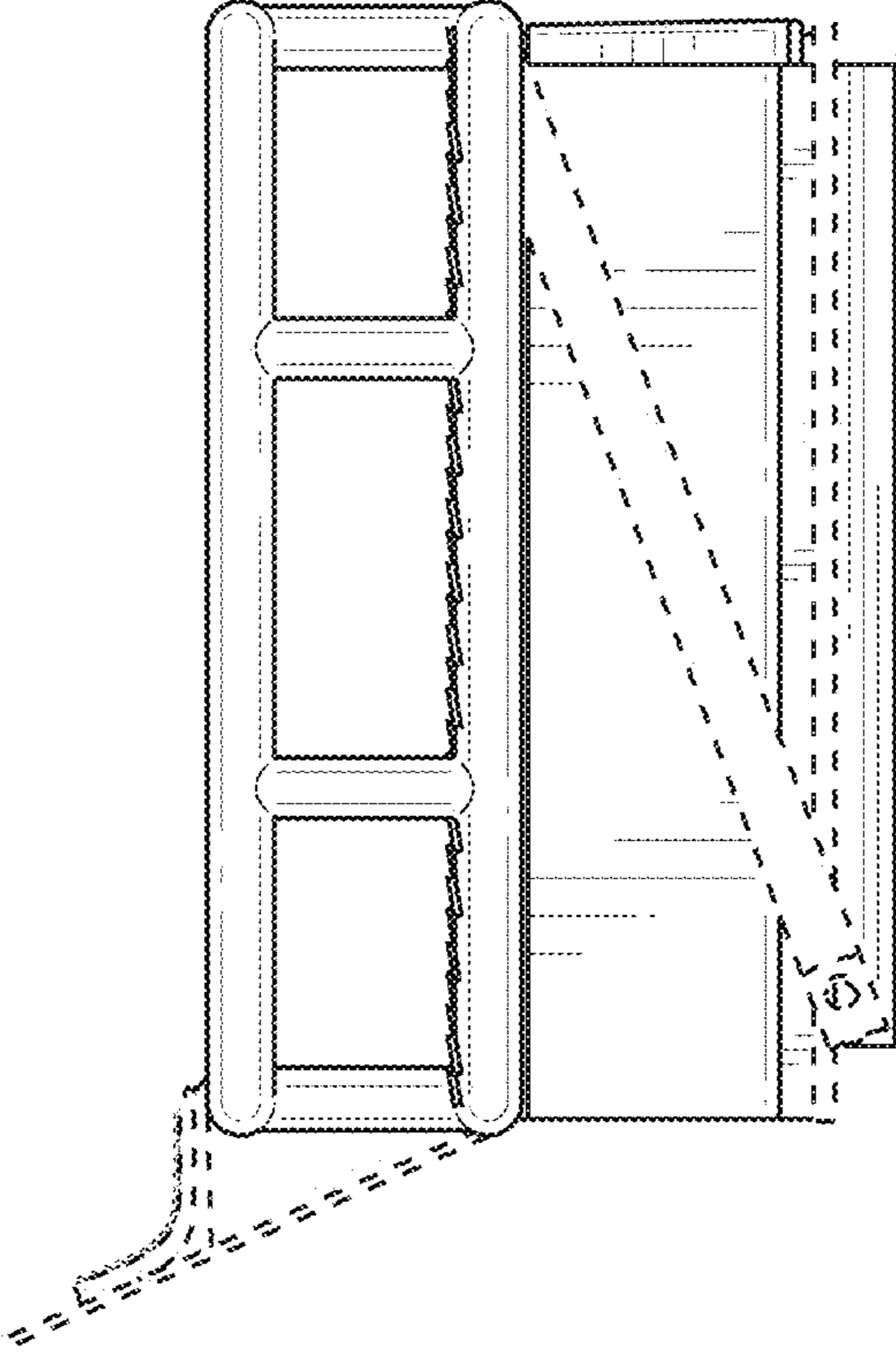
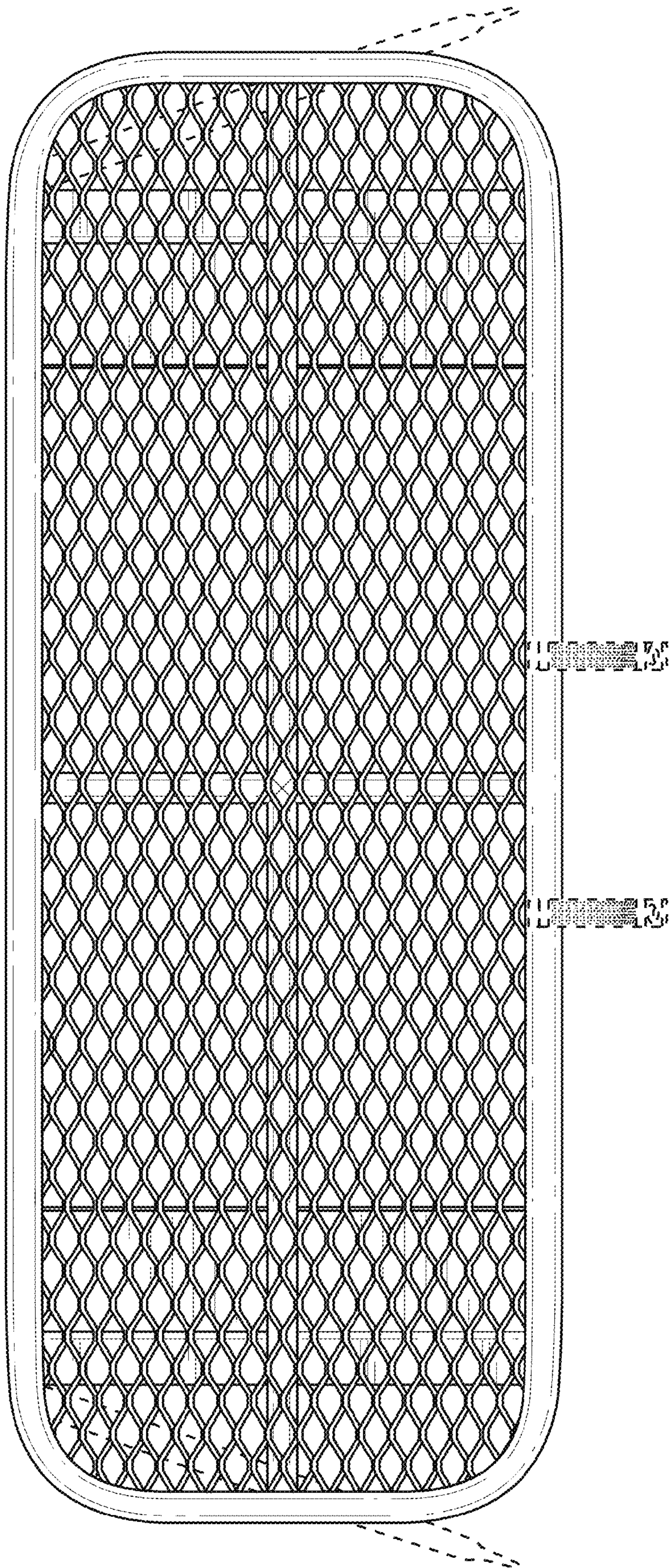


FIG. 5





**FIG. 6**



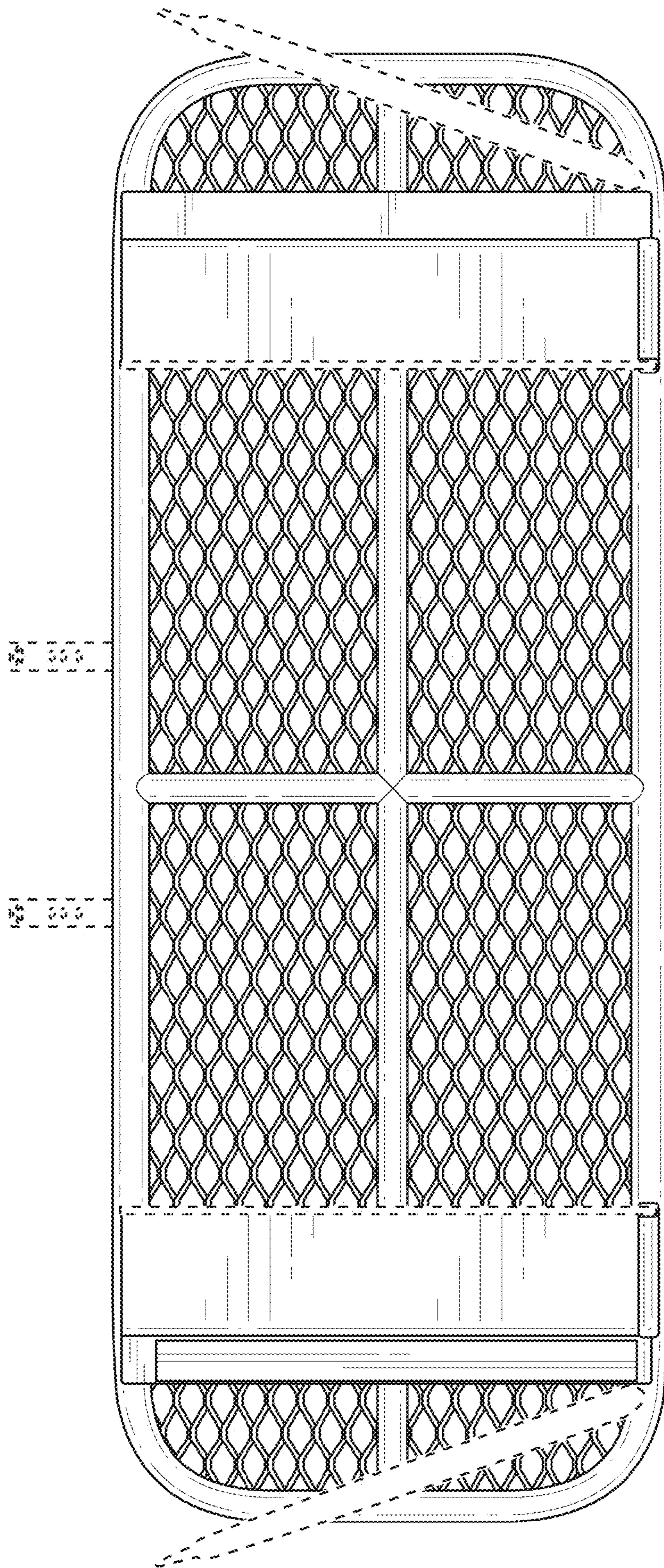


FIG. 7



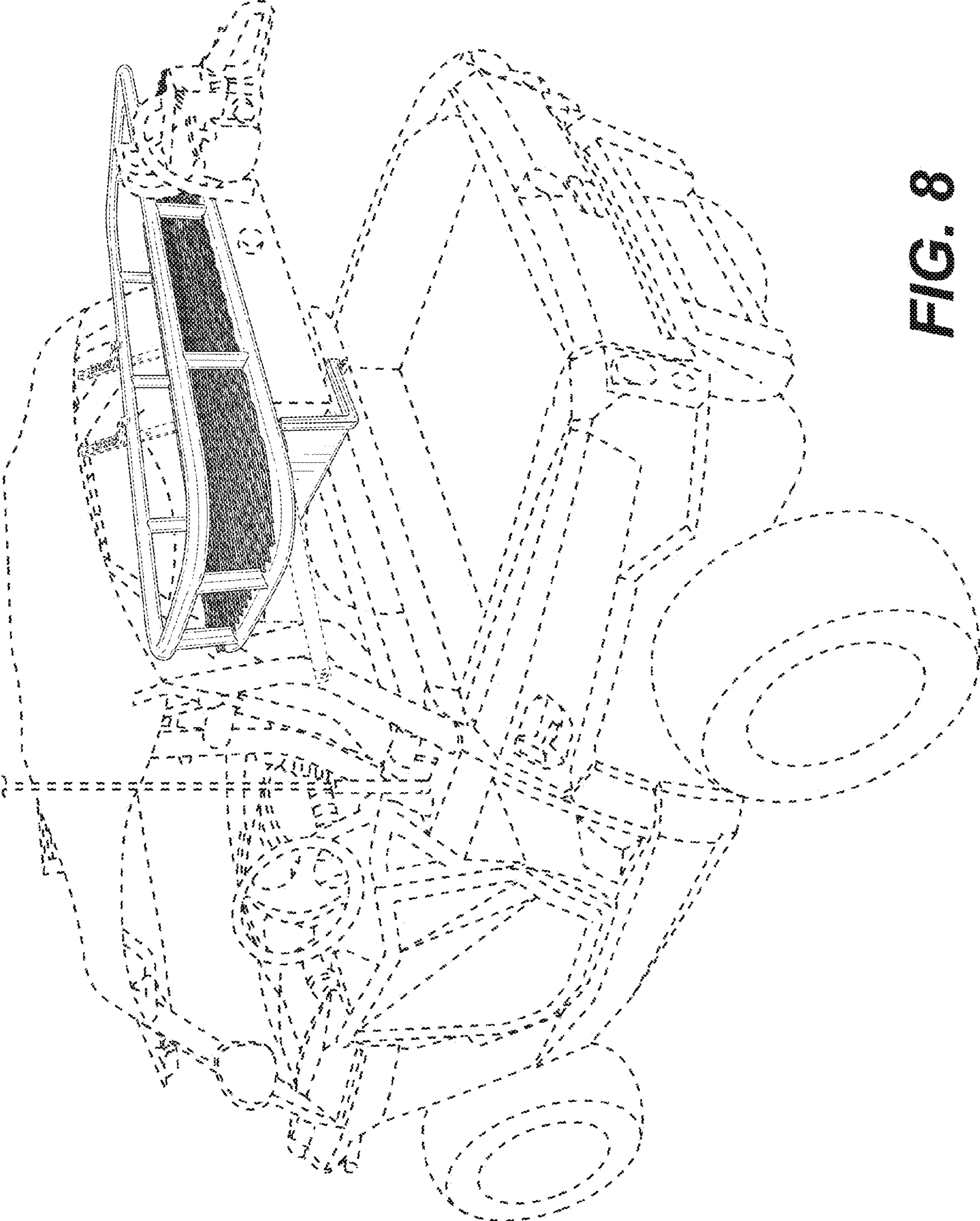


FIG. 8