



US00D894090S

(12) **United States Design Patent**  
**Gray et al.**

(10) **Patent No.:** **US D894,090 S**

(45) **Date of Patent:** **\*\* Aug. 25, 2020**

(54) **BOAT**

(71) Applicant: **Vita Yachts Ltd**, Edinburgh (GB)

(72) Inventors: **David Gray**, Dunfermline (GB);  
**Stewart Wilkinson**, Dwejra (MT)

(73) Assignee: **Vita Yachts Ltd**, Edinburgh (GB)

(\*\*) Term: **15 Years**

(21) Appl. No.: **29/676,200**

(22) Filed: **Jan. 9, 2019**

(30) **Foreign Application Priority Data**

Jul. 9, 2018 (GB) ..... 6038876

(51) **LOC (12) Cl.** ..... **29-02**

(52) **U.S. Cl.**  
USPC ..... **D12/300**

(58) **Field of Classification Search**

USPC ..... D12/300, 303, 307, 310, 317, 318, 304,  
D12/306, 308, 312, 313, 314, 315, 316,  
D12/413; D14/300; D21/542, 544

CPC ..... B63B 1/00; B63B 1/042; B63B 1/125;  
B63B 7/00; B63B 34/10; B63B 34/14;  
B63H 8/00; B63H 9/00

See application file for complete search history.

(56) **References Cited**

**U.S. PATENT DOCUMENTS**

D188,080 S *	5/1960	Ladewig	.....	D12/300
D202,591 S *	10/1965	Lowe, Jr.	.....	D12/300
D234,349 S *	2/1975	Cole	.....	D12/313
D317,894 S *	7/1991	Goodson	.....	D12/314
D318,450 S *	7/1991	Lathers	.....	D12/314
D318,452 S *	7/1991	Lathers	.....	D12/314
D318,453 S *	7/1991	Lathers	.....	D12/314
D330,005 S *	10/1992	Thompson	.....	D12/300
D455,110 S *	4/2002	Vismara	.....	D12/300
D691,546 S *	10/2013	Yamamoto	.....	D12/300

**OTHER PUBLICATIONS**

Boats and Kayaks for Beginners, www.stanleyboats.com [online].  
Published on or before Apr. 20, 2020, [retrieved on Apr. 20, 2020].  
Retrieved from the Internet: <URL:http://www.stanleyboats.com/  
comparing-best-fishing-kayaks-boats-for-beginners/> (Year: 2020).\*

Crownline 19 XS, crownline.com [online]. Published on or before  
Apr. 20, 2020, [retrieved on Apr. 20, 2020]. Retrieved from the  
Internet <URL:https://crownline.com/boats/crownline-2020-19xs/>  
(Year: 2020).\*

Tahoe Boats \_ Sport Series, www.tahoeboats.com [online]. Pub-  
lished on or before Apr. 20, 2020, [retrieved on Apr. 20, 2020].  
Retrieved from the Internet: <URL:https://www.tahoeboats.com/  
boat/gallery.cfm?boat=4646> (Year: 2020).\*

\* cited by examiner

*Primary Examiner* — Karen E Kearney

*Assistant Examiner* — Adam C Mager

(74) *Attorney, Agent, or Firm* — Wolfe, Greenfield &  
Sacks, P.C.

(57) **CLAIM**

The ornamental design for a boat, as shown and described.

**DESCRIPTION**

FIG. 1 is a top, front, left side perspective view of a boat  
showing our new design;

FIG. 2 is a top, rear, left side perspective view thereof;

FIG. 3 is a front elevation view thereof;

FIG. 4 is a rear elevation view thereof;

FIG. 5 is a left side elevation view thereof;

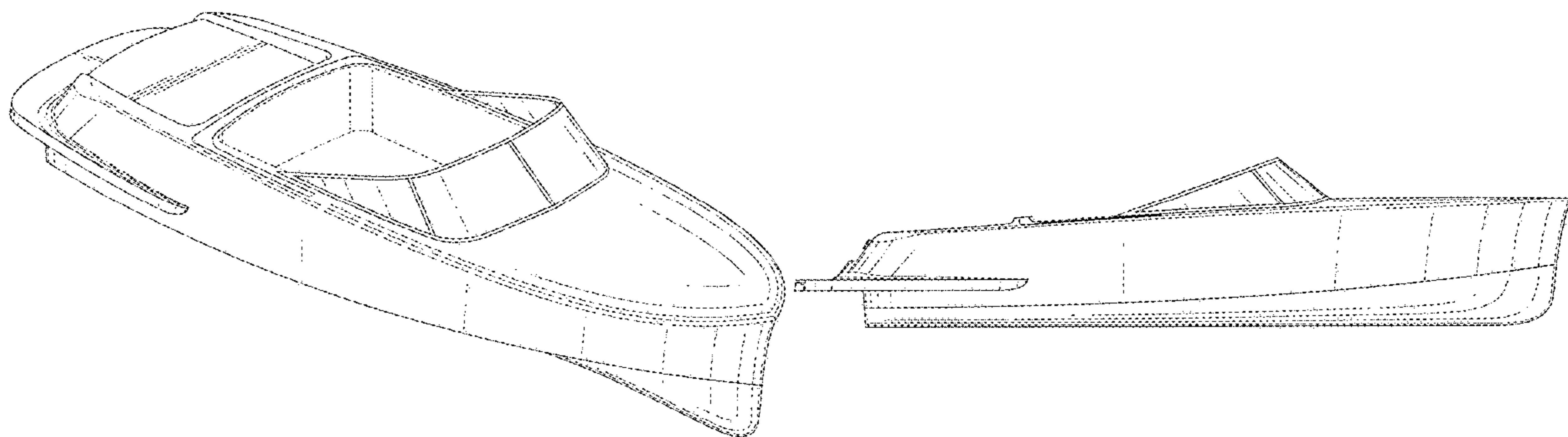
FIG. 6 is a right side elevation view thereof;

FIG. 7 is a top plan view thereof; and,

FIG. 8 is a bottom plan view thereof.

The broken lines illustrate portions of the boat that form no  
part of the claimed design.

**1 Claim, 8 Drawing Sheets**



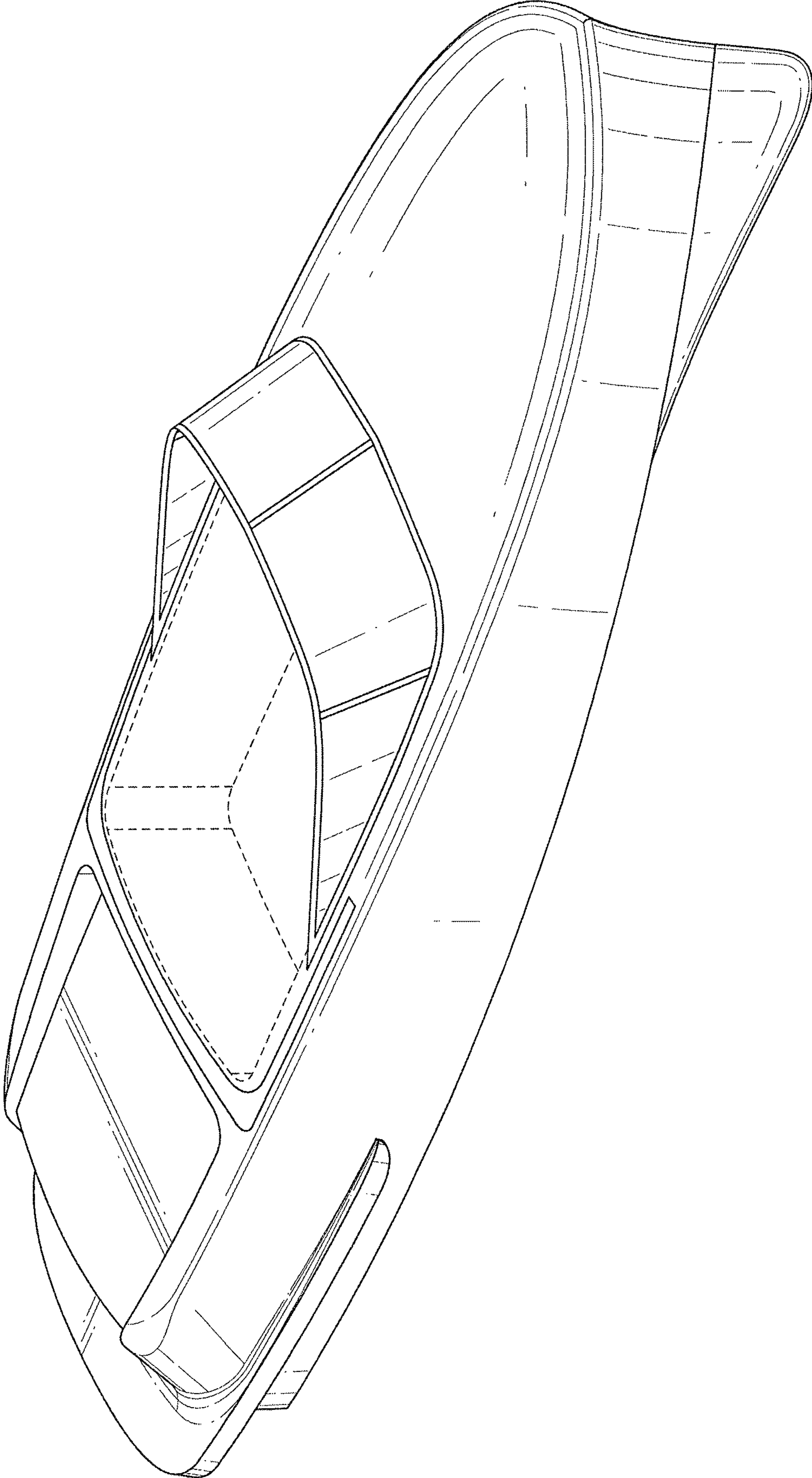


FIG. 1

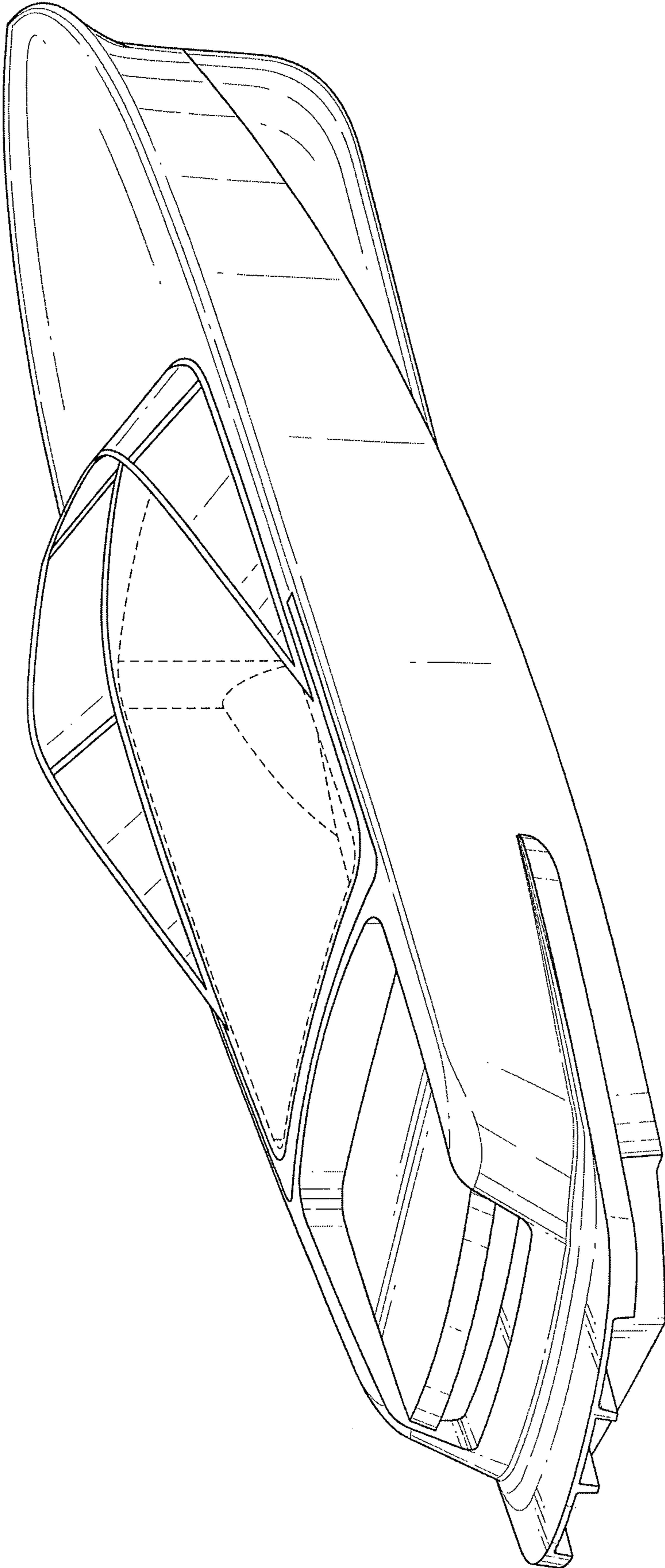


FIG. 2

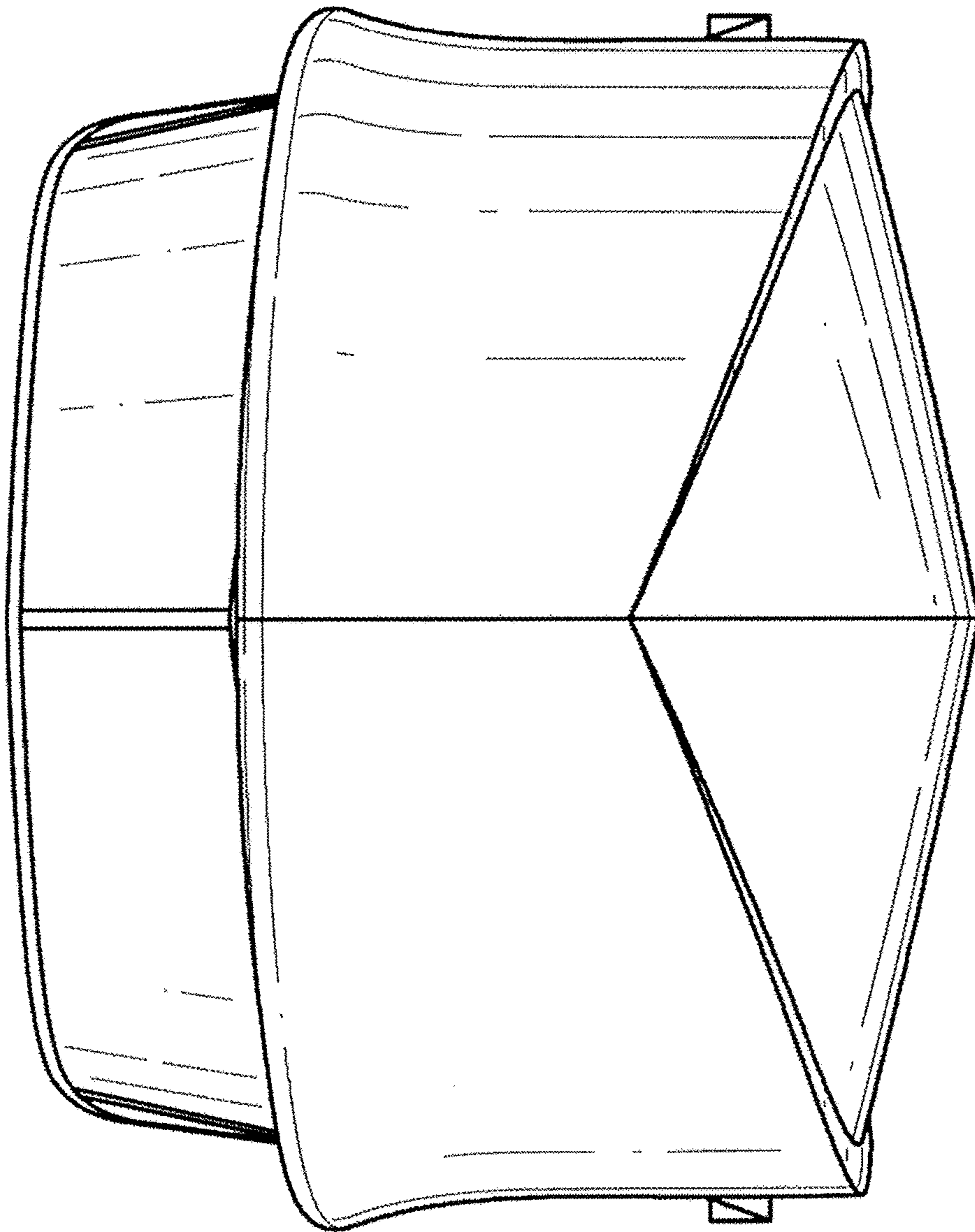


FIG. 3

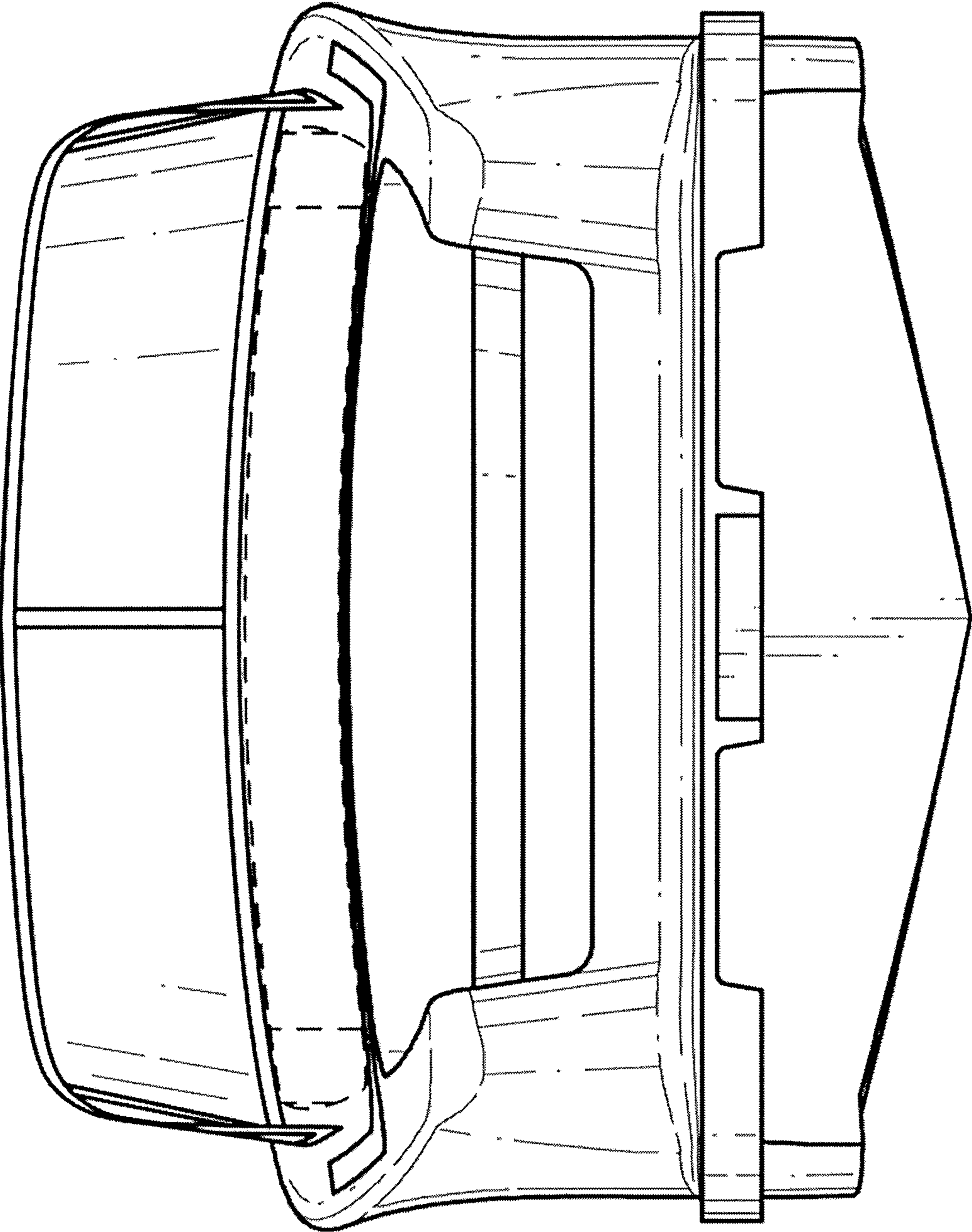


FIG. 4

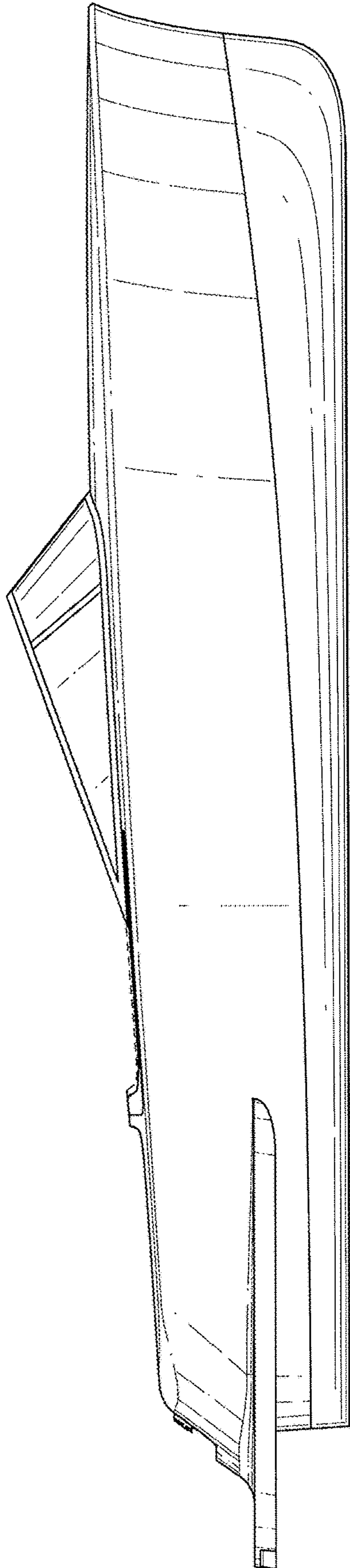


FIG. 5

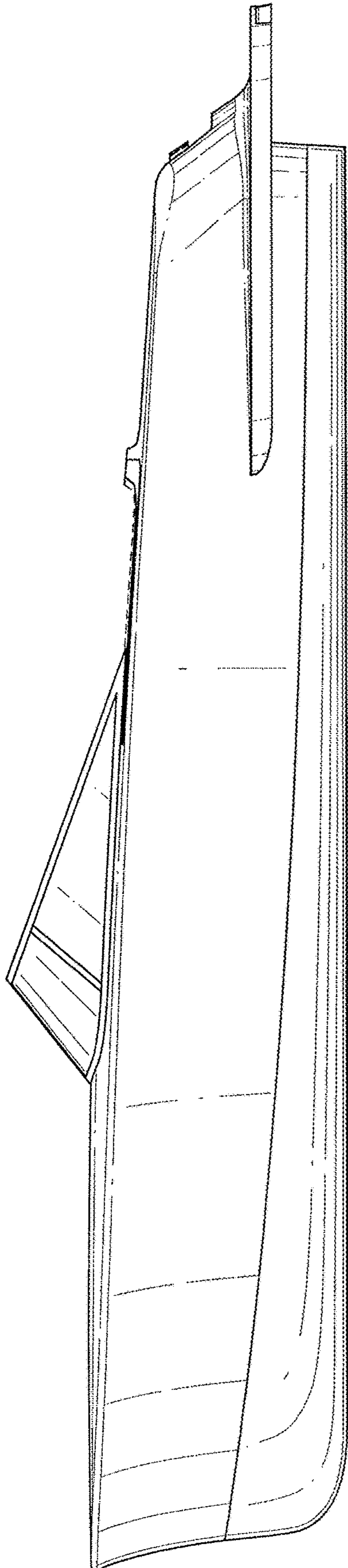


FIG. 6

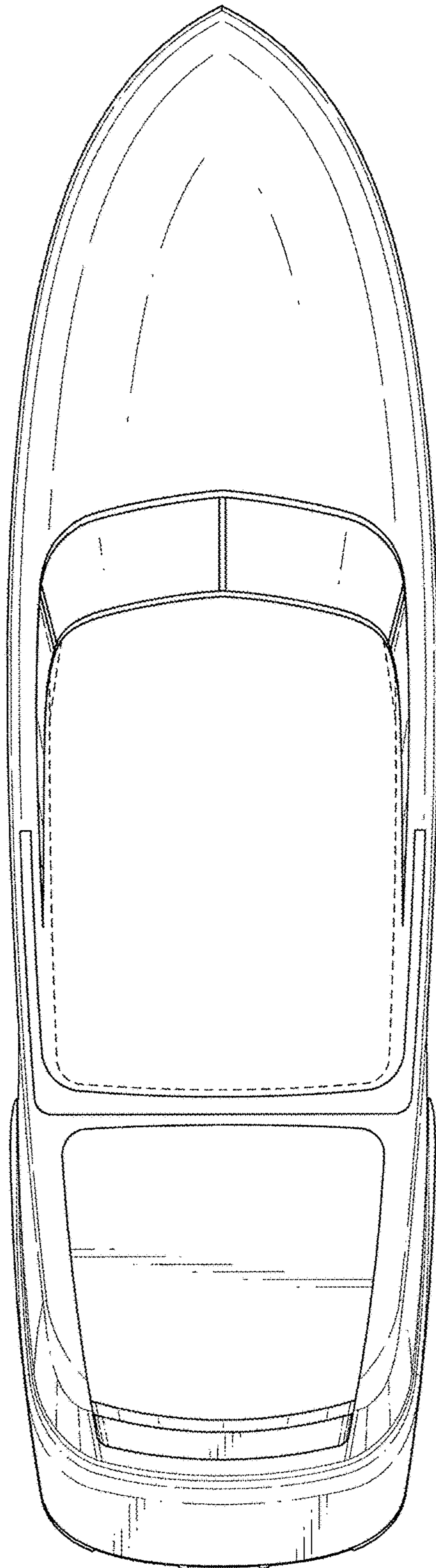


FIG. 7



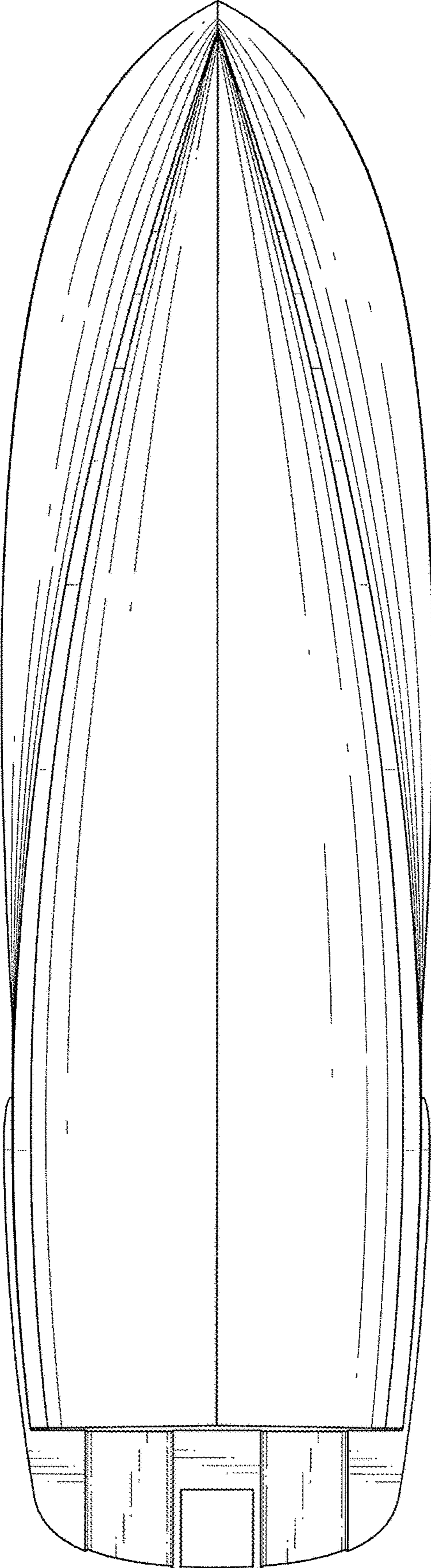


FIG. 8