

US00D894084S

(12) **United States Design Patent** (10) **Patent No.:** **US D894,084 S**
Liu (45) **Date of Patent:** **** Aug. 25, 2020**

(54) **VEHICLE WHEEL**

(71) Applicant: **CITIC Dicastal Co., Ltd.,**
Qinhuangdao (CN)
(72) Inventor: **Zhichong Liu,** Qinhuangdao (CN)
(73) Assignee: **CITIC Dicastal Co., Ltd.,**
Qinhuangdao (CN)
(**) Term: **15 Years**

(21) Appl. No.: **29/707,490**

(22) Filed: **Sep. 27, 2019**

(30) **Foreign Application Priority Data**

Jun. 17, 2019 (CN) 2019 3 03119552

(51) **LOC (12) Cl.** **12-16**

(52) **U.S. Cl.**
USPC **D12/209**

(58) **Field of Classification Search**
USPC D12/204–213; D21/563
CPC B60B 7/00; B60B 7/02; B60B 7/04; B60B
7/01; B60B 7/06; B60B 3/02; B60B 3/04;
B60B 3/06; B60B 3/10; B60B 1/00;
B60B 1/08; B60B 1/10; B60B 1/12
See application file for complete search history.

(56) **References Cited**

U.S. PATENT DOCUMENTS

D419,947 S *	2/2000	Chung	D12/211
D431,222 S *	9/2000	Vian	D12/209
D481,346 S *	10/2003	Vian	D12/211
D549,148 S *	8/2007	Buschmann	D12/209
D649,502 S *	11/2011	Platto	D12/209
D667,767 S *	9/2012	Gotschke	D12/209
D713,313 S *	9/2014	Stucki	D12/209
D739,327 S *	9/2015	Wagener	D12/209
D783,495 S *	4/2017	Hale, Jr.	D12/209
D813,780 S *	3/2018	Sempek	D12/209

* cited by examiner

Primary Examiner — Stacia A Cadmus

(74) *Attorney, Agent, or Firm* — IPro, PLLC; Qian Gu

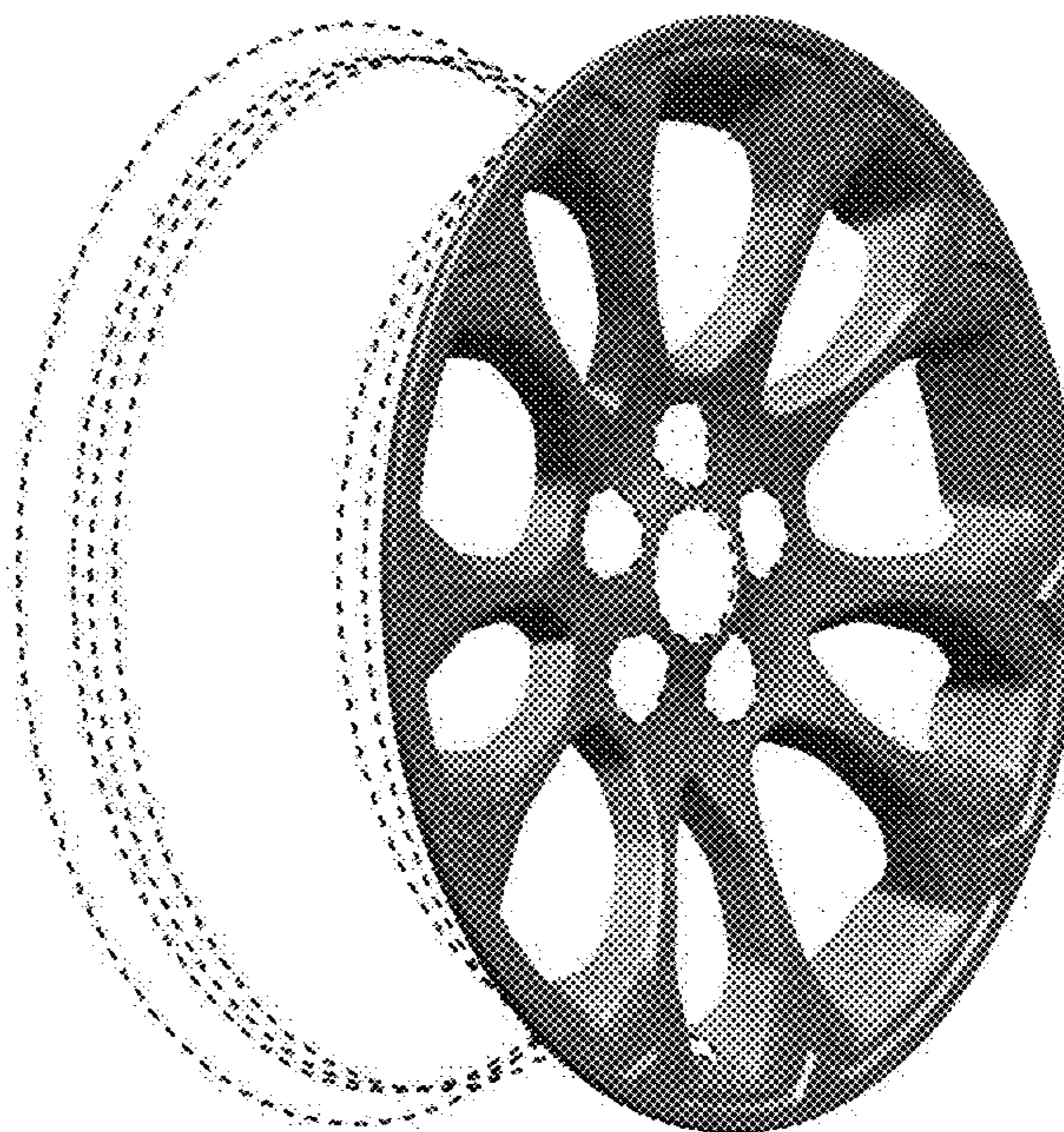
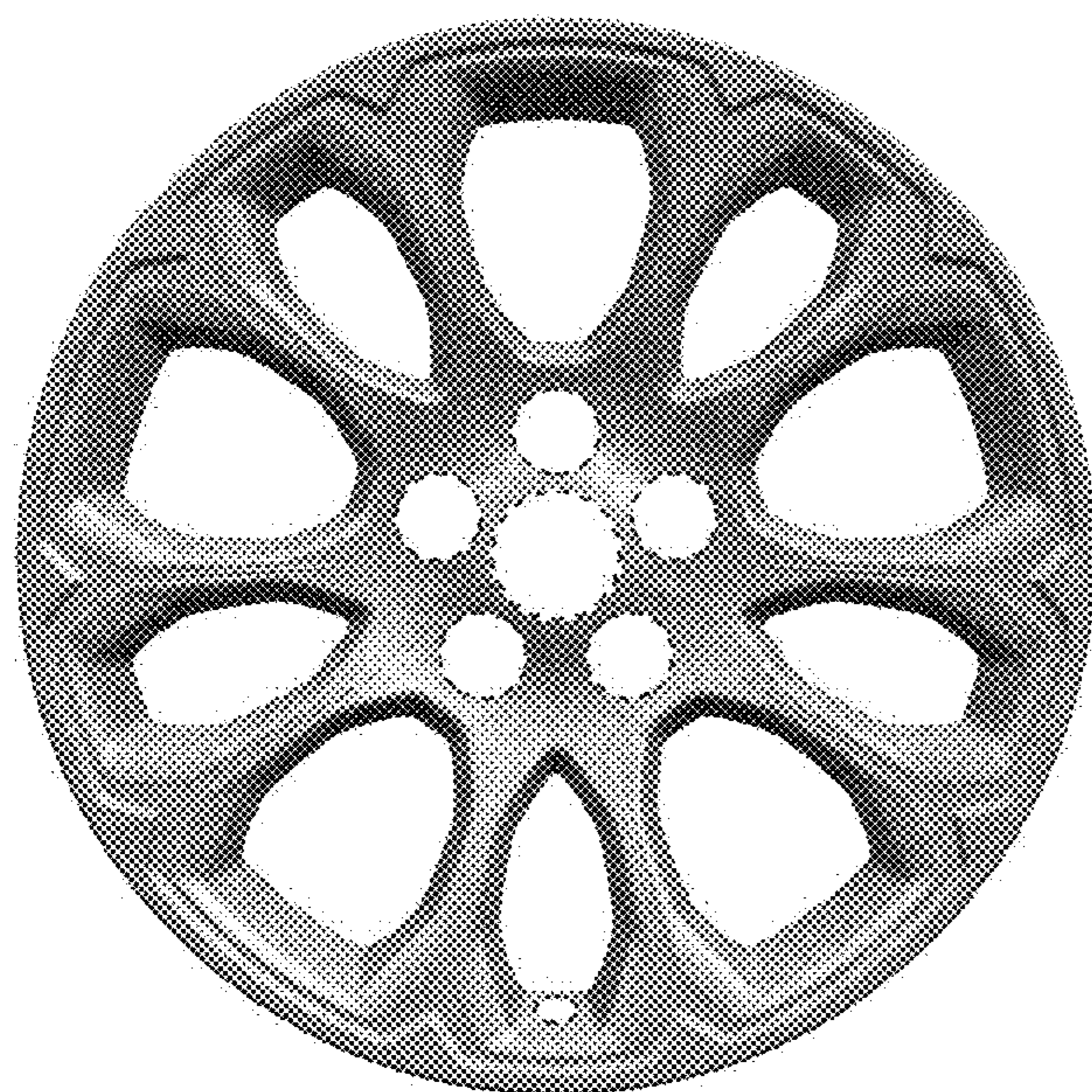
(57) **CLAIM**

The ornamental design for a vehicle wheel, as shown and described.

DESCRIPTION

FIG. 1 is a front view of a vehicle wheel.
FIG. 2 is a perspective view of the vehicle wheel; and,
FIG. 3 is a left side view of the vehicle wheel.
The broken line showing of the rear of the rim, the valve stem hole, the bolt holes and the center hole in the central hub area is included for the purpose of illustrating environment and forms no part of the claimed design.

1 Claim, 3 Drawing Sheets



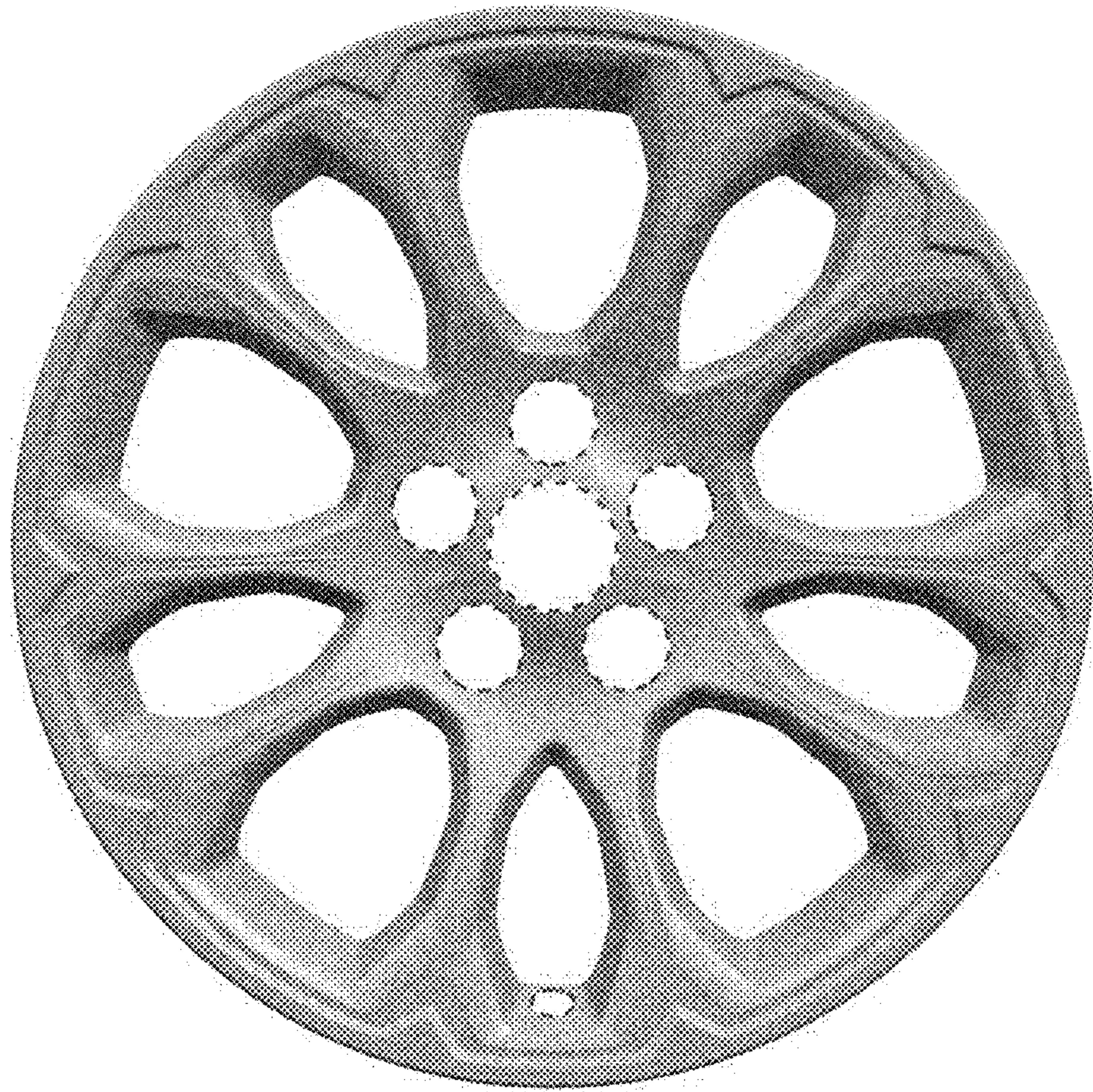


FIG. 1

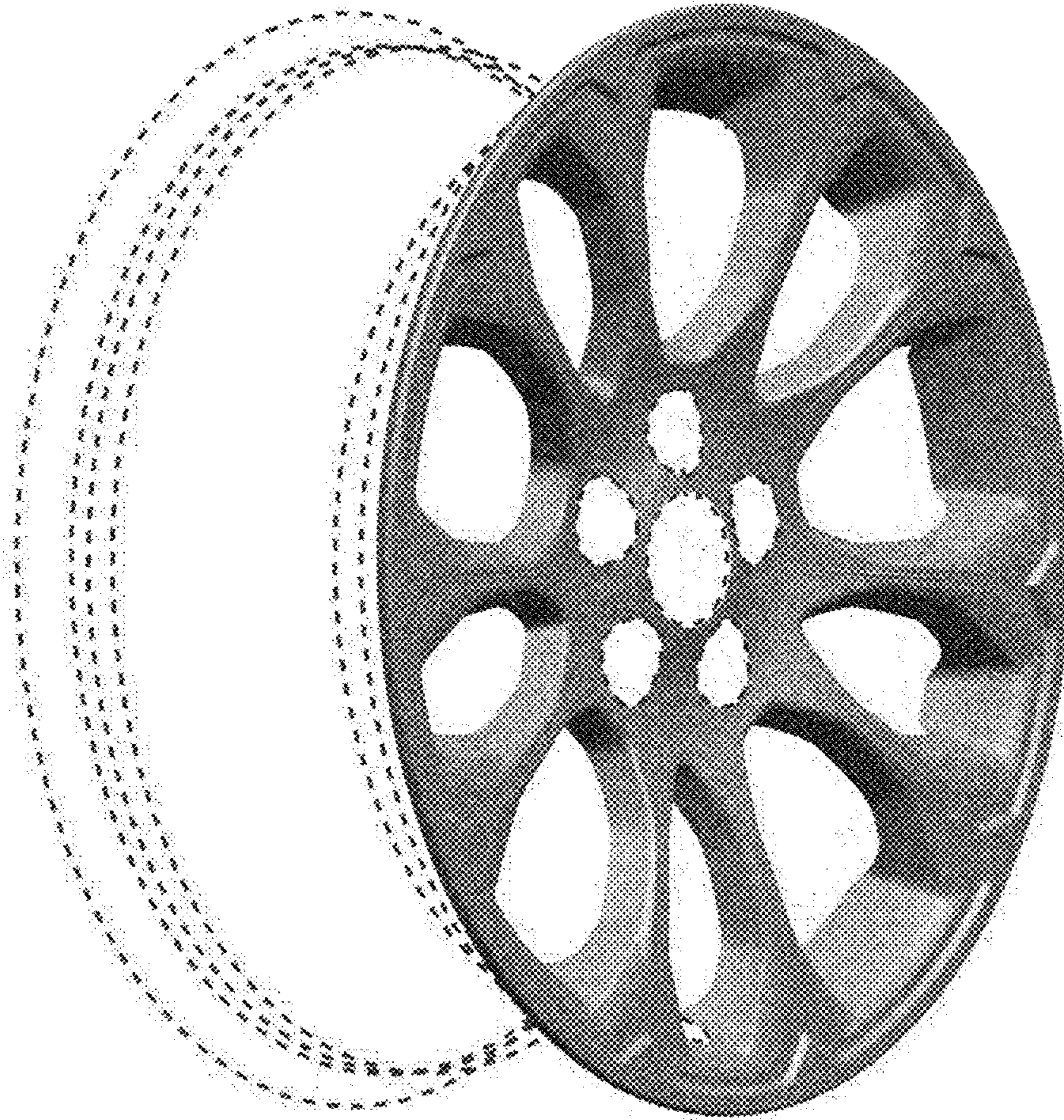


FIG. 2

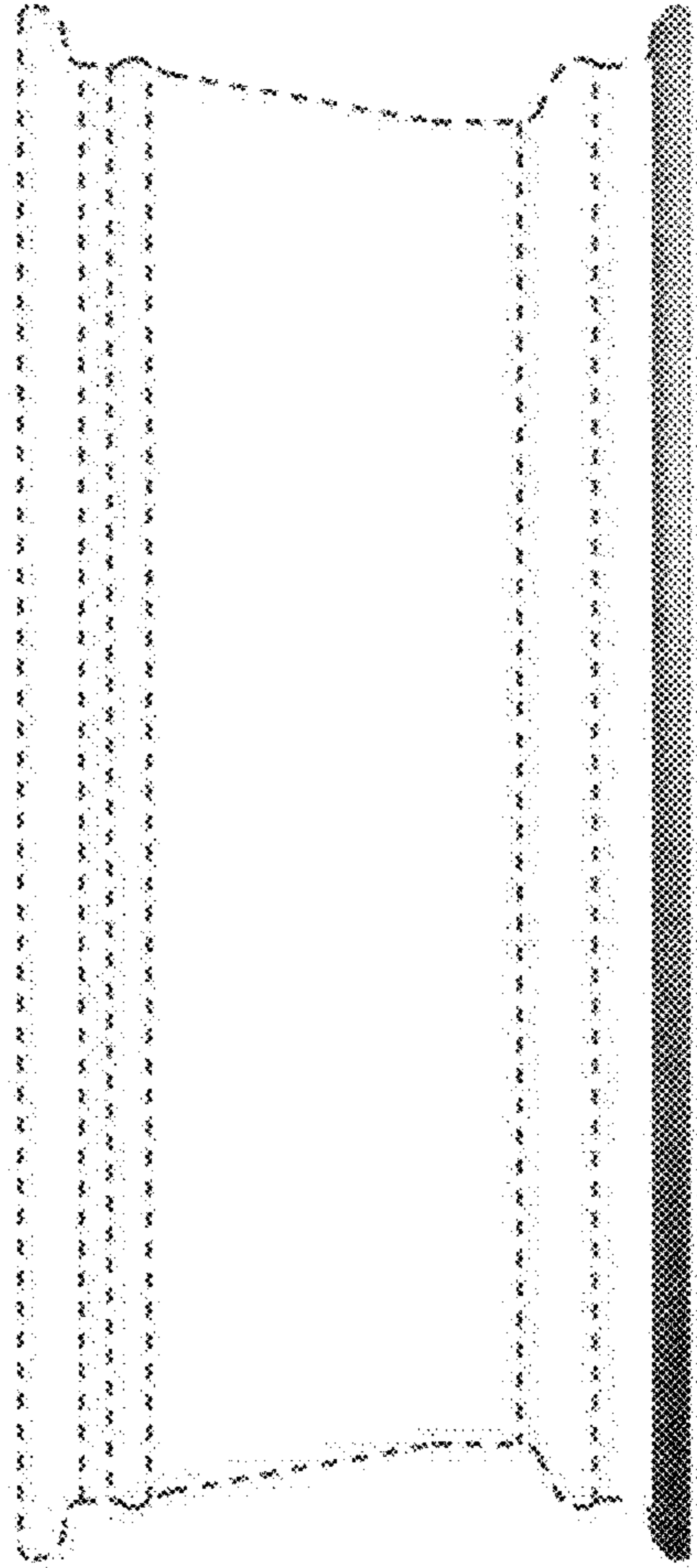


FIG. 3