



US00D894082S

(12) **United States Design Patent**
Liu

(10) **Patent No.:** **US D894,082 S**

(45) **Date of Patent:** **** Aug. 25, 2020**

(54) **VEHICLE WHEEL**

(71) Applicant: **CITIC Dicastal Co., Ltd.**,
Qinhuangdao (CN)

(72) Inventor: **Zhichong Liu**, Qinhuangdao (CN)

(73) Assignee: **CITIC Dicastal Co., Ltd.**,
Qinhuangdao (CN)

(**) Term: **15 Years**

(21) Appl. No.: **29/707,485**

(22) Filed: **Sep. 27, 2019**

(30) **Foreign Application Priority Data**

Jun. 17, 2019 (CN) 2019 3 0311950

(51) **LOC (12) Cl.** **12-16**

(52) **U.S. Cl.**
USPC **D12/209**

(58) **Field of Classification Search**
USPC D12/204-213; D21/563
CPC B60B 7/00; B60B 7/02; B60B 7/04; B60B
7/01; B60B 7/06; B60B 3/02; B60B 3/04;
B60B 3/06; B60B 3/10; B60B 1/00;
B60B 1/08; B60B 1/10; B60B 1/12

See application file for complete search history.

(56) **References Cited**

U.S. PATENT DOCUMENTS

D88,511 S * 4/1932 Eksergian D12/211
D339,561 S * 9/1993 Maiworm D12/211

D352,688 S * 11/1994 Boselli D12/211
D393,239 S * 4/1998 Schmid D12/209
D457,118 S * 5/2002 Bhambra D12/211
D480,675 S * 10/2003 Pfeiffer D12/211
D495,648 S * 9/2004 Kang D12/209
D504,859 S * 5/2005 Sulahian D12/209
D593,474 S * 6/2009 Flueckiger D12/209
D616,802 S * 6/2010 Zhao D12/211
D655,663 S * 3/2012 Zhao D12/211
D830,275 S * 10/2018 Aslam D12/213

* cited by examiner

Primary Examiner — Stacia A Cadmus

(74) *Attorney, Agent, or Firm* — IPro, PLLC; Qian Gu

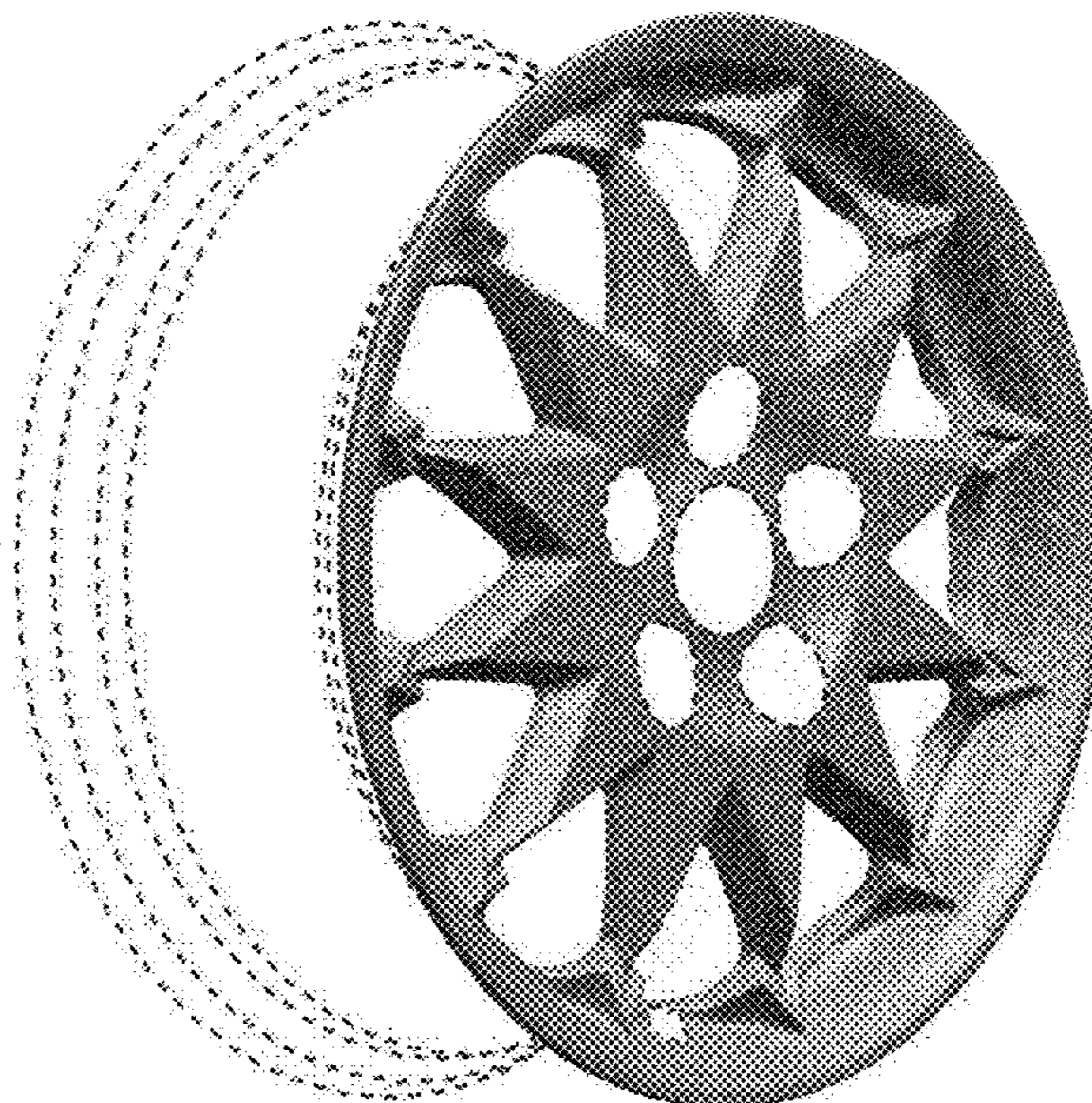
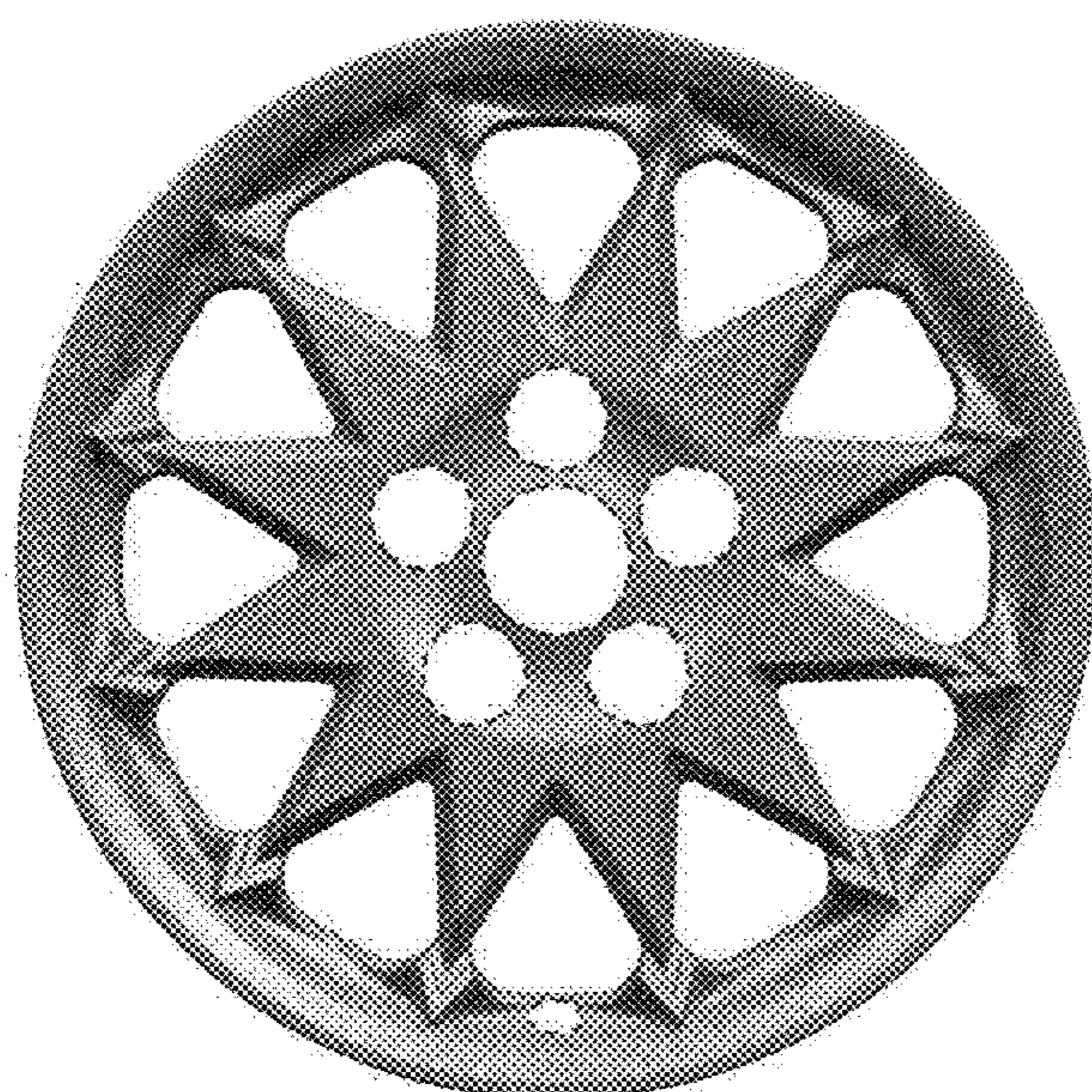
(57) **CLAIM**

The ornamental design for a vehicle wheel, as shown and described.

DESCRIPTION

FIG. 1 is a front view of a vehicle wheel.
FIG. 2 is a perspective view of the vehicle wheel; and,
FIG. 3 is a left side view of the vehicle wheel.
The broken line showing of the rear of the rim, the valve stem hole, the bolt holes and the center hole in the central hub area is included for the purpose of illustrating environment and forms no part of the claimed design.

1 Claim, 3 Drawing Sheets



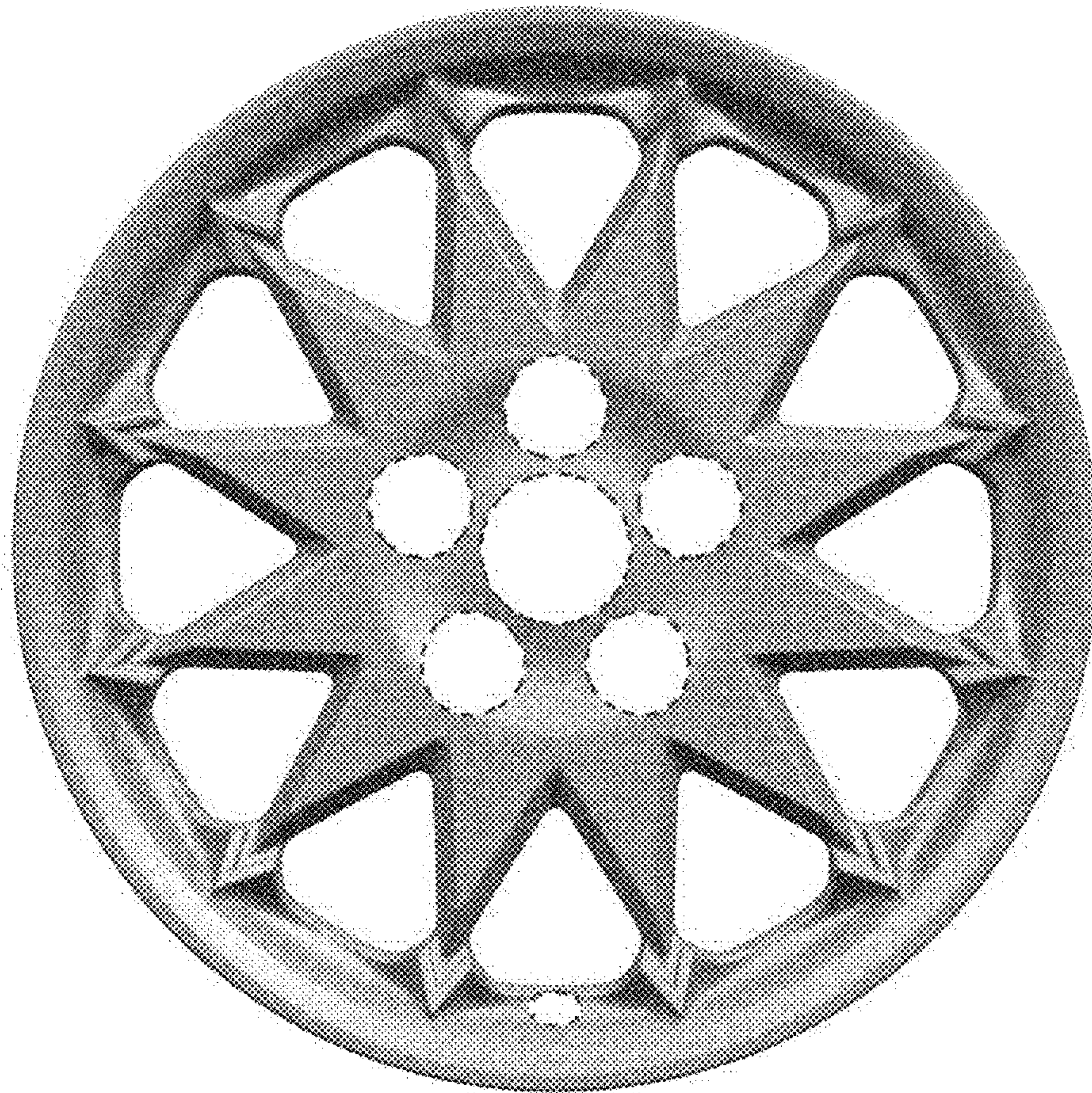


FIG. 1

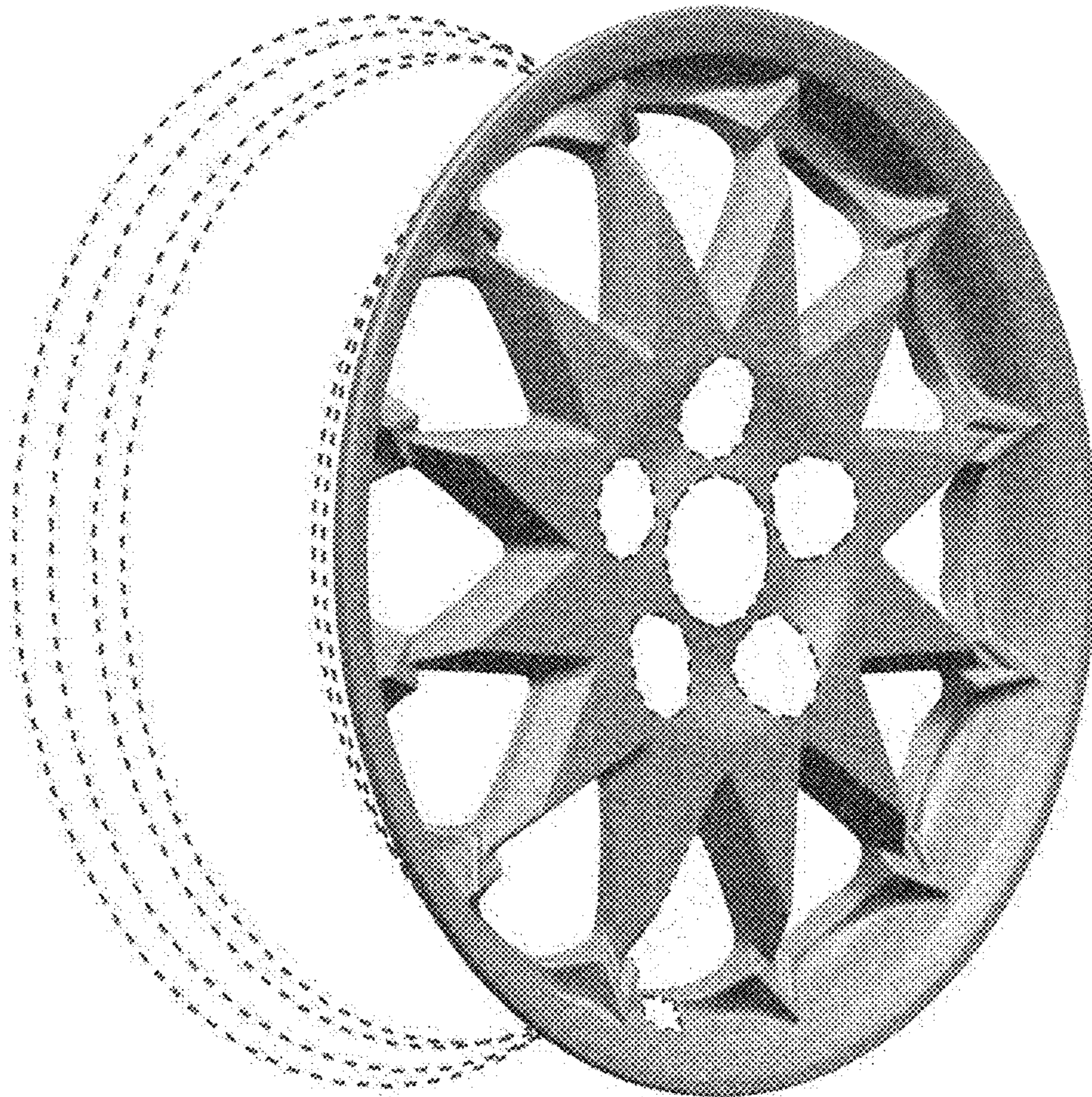


FIG. 2

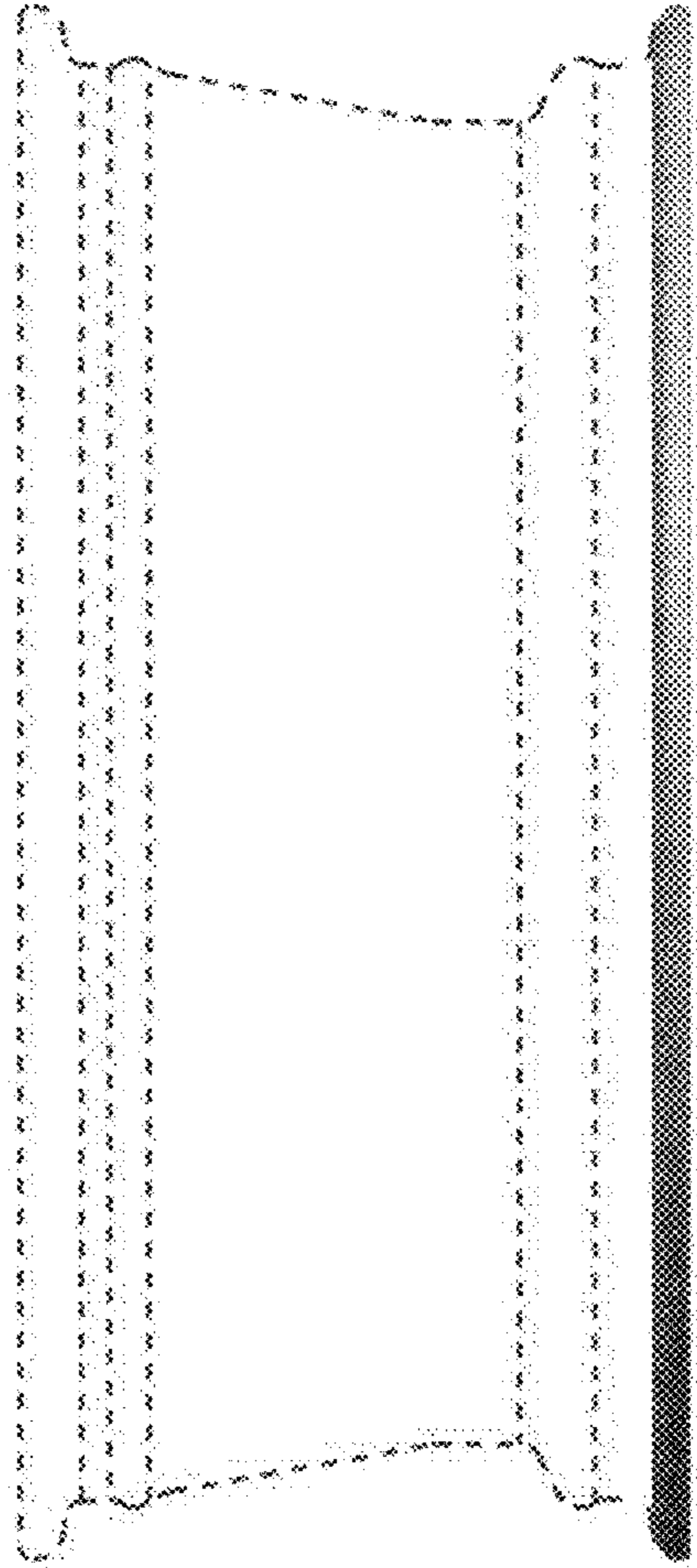


FIG. 3