



US00D894081S

(12) **United States Design Patent**
Liu

(10) **Patent No.:** **US D894,081 S**

(45) **Date of Patent:** **** Aug. 25, 2020**

(54) **VEHICLE WHEEL**

(71) Applicant: **CITIC Dicastal Co., Ltd.**,
Qinhuangdao (CN)

(72) Inventor: **Zhichong Liu**, Qinhuangdao (CN)

(73) Assignee: **CITIC Dicastal Co., Ltd.**,
Qinhuangdao (CN)

(**) Term: **15 Years**

(21) Appl. No.: **29/707,482**

(22) Filed: **Sep. 27, 2019**

(30) **Foreign Application Priority Data**

Jun. 17, 2019 (CN) 2019 3 0312211

(51) **LOC (12) Cl.** **12-16**

(52) **U.S. Cl.**
USPC **D12/209**

(58) **Field of Classification Search**

USPC D12/204-213; D21/563

CPC B60B 7/00; B60B 7/02; B60B 7/04; B60B

7/01; B60B 7/06; B60B 3/02; B60B 3/04;

B60B 3/06; B60B 3/10; B60B 1/00;

B60B 1/08; B60B 1/10; B60B 1/12

See application file for complete search history.

(56) **References Cited**

U.S. PATENT DOCUMENTS

D203,931 S * 3/1966 Hibbard D12/211
D268,261 S * 3/1983 Boyer D12/211

D345,338 S * 3/1994 Gabath D12/209
D441,708 S * 5/2001 Pfeiffer D12/211
D635,905 S * 4/2011 Toth D12/211
D658,562 S * 5/2012 Junghanns D12/211
D725,017 S * 3/2015 Harriton D12/209
D751,487 S * 3/2016 Harriton D12/211
D763,770 S * 8/2016 Johnson D12/211
D820,185 S * 6/2018 Mielke D12/211
D838,646 S * 1/2019 Harriton D12/209

* cited by examiner

Primary Examiner — Stacia A Cadmus

(74) *Attorney, Agent, or Firm* — IPro, PLLC; Qian Gu

(57) **CLAIM**

The ornamental design for a vehicle wheel, as shown and described.

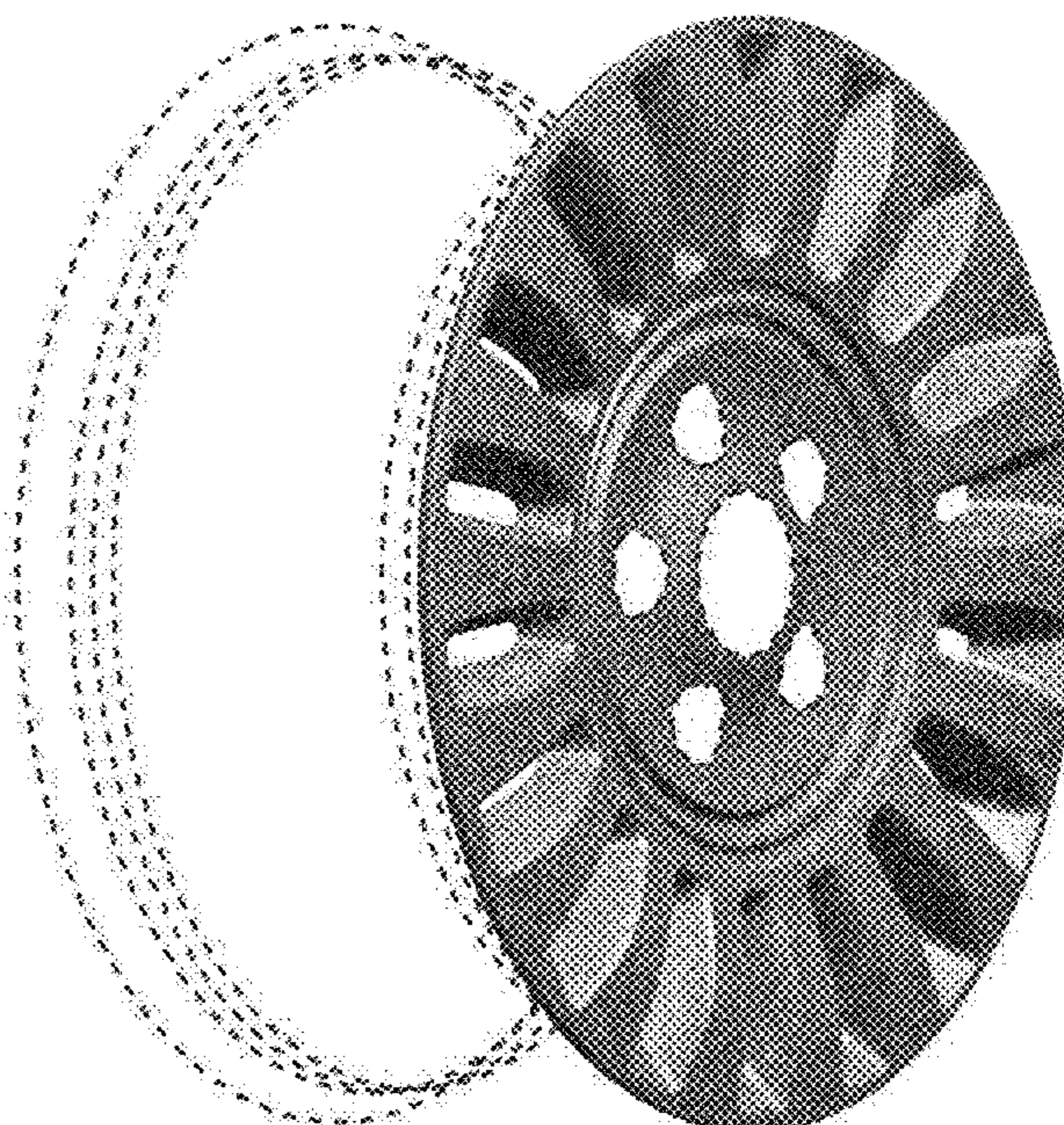
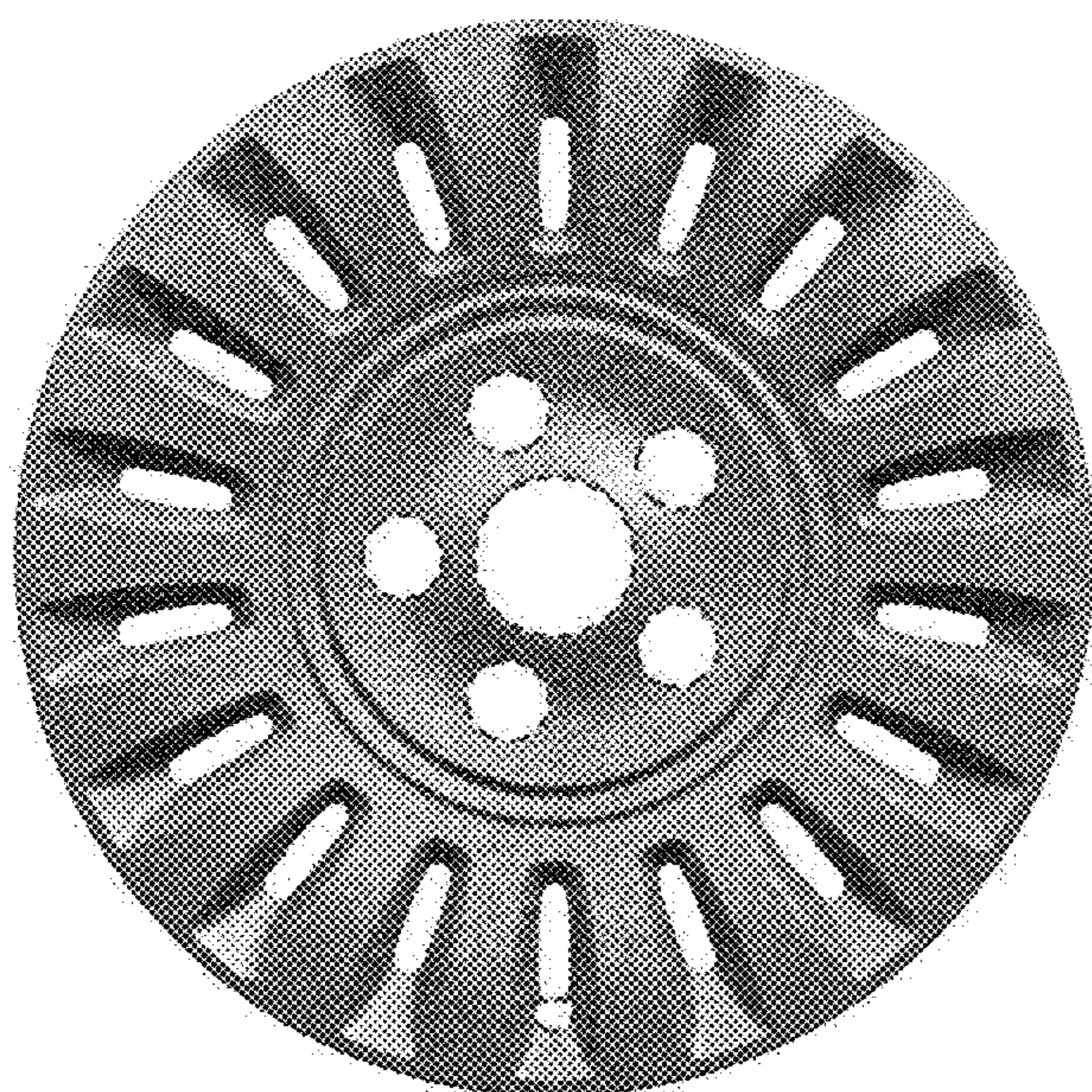
DESCRIPTION

FIG. 1 is a front view of a vehicle wheel.

FIG. 2 is a perspective view of the vehicle wheel; and, FIG. 3 is a left side view of the vehicle wheel.

The broken line showing of the rear of the rim, the valve stem hole, the bolt holes and the center hole in the central hub area is included for the purpose of illustrating environment and forms no part of the claimed design.

1 Claim, 3 Drawing Sheets



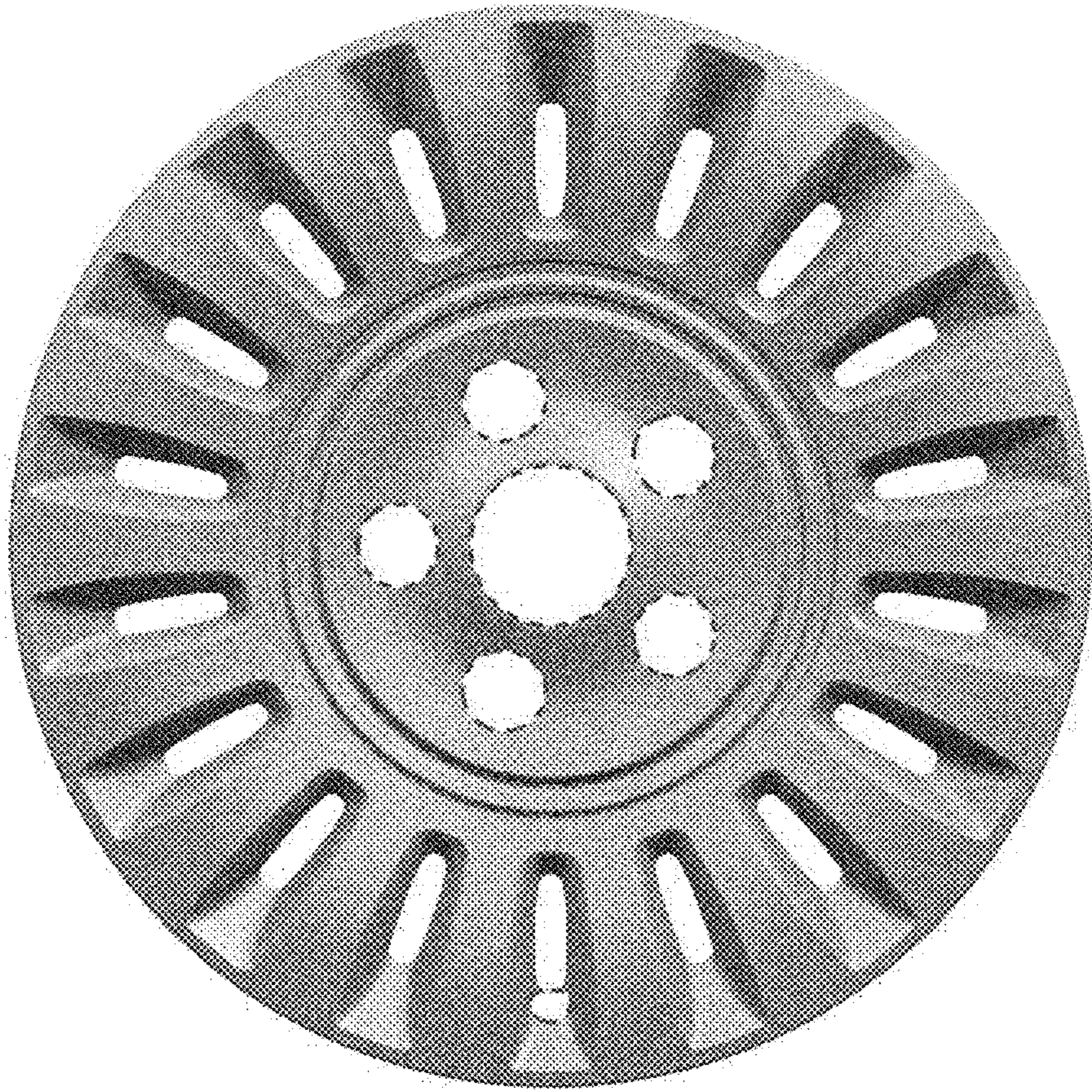


FIG. 1

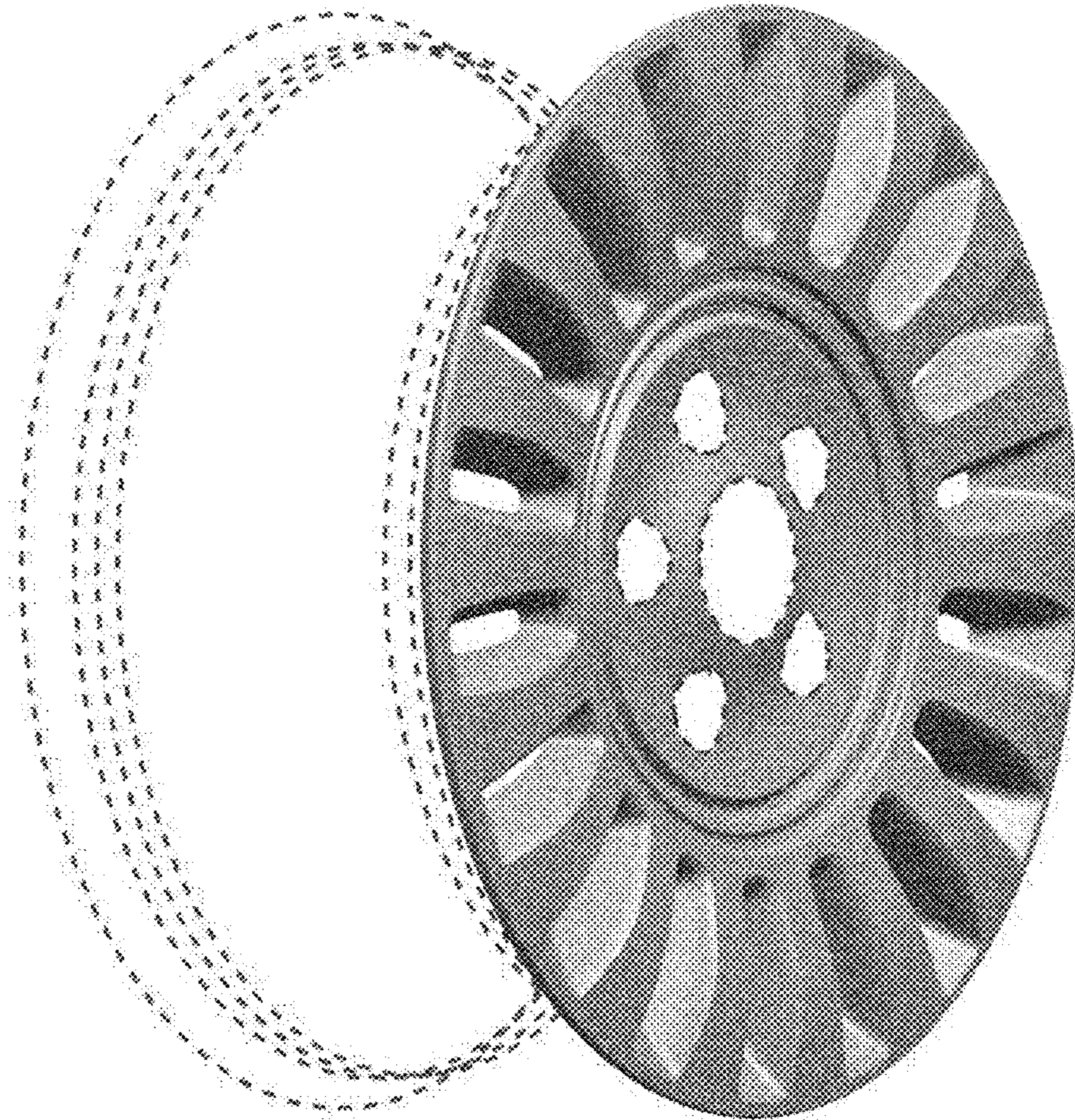


FIG. 2

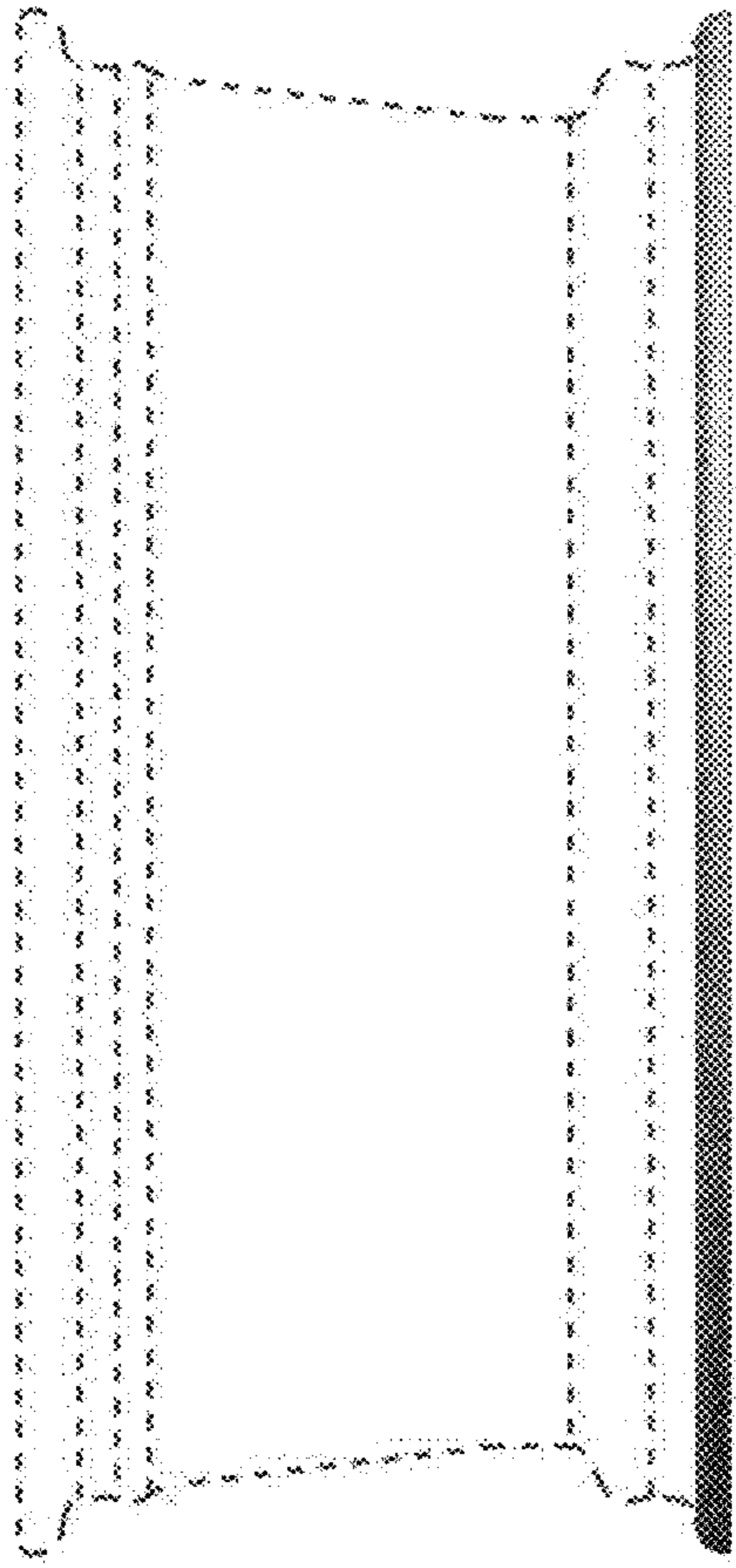


FIG. 3