



US00D894077S

(12) **United States Design Patent**
Lee

(10) **Patent No.:** **US D894,077 S**

(45) **Date of Patent:** **** Aug. 25, 2020**

(54) **AUTOMOTIVE WHEEL**

(71) Applicant: **MKW Alloy, Inc.**, City of Industry, CA (US)

(72) Inventor: **Kevin Lee**, Yorba Linda, CA (US)

(73) Assignee: **MKW ALLOY, INC.**, City of Industry, CA (US)

(**) Term: **15 Years**

(21) Appl. No.: **29/696,690**

(22) Filed: **Jun. 28, 2019**

(51) **LOC (12) Cl.** **12-16**

(52) **U.S. Cl.**
USPC **D12/209**

(58) **Field of Classification Search**

USPC D12/204–213; D21/563
CPC B60B 7/00; B60B 7/02; B60B 7/04; B60B 7/01;
B60B 7/06; B60B 3/02; B60B 3/04;
B60B 3/06; B60B 3/10; B60B 1/00;
B60B 1/08; B60B 1/10; B60B 1/12
See application file for complete search history.

(56) **References Cited**

U.S. PATENT DOCUMENTS

D817,843 S * 5/2018 Hale, Jr. D12/209
D823,225 S * 7/2018 Chung D12/211
D837,709 S * 1/2019 Chung D12/209
D840,900 S * 2/2019 Licklitter D12/211
D842,186 S * 3/2019 Kong D12/209
D846,478 S * 4/2019 Kovacs D12/209
D855,539 S * 8/2019 Han D12/209

D856,255 S * 8/2019 Johnson D12/209
D857,592 S * 8/2019 Han D12/209
D863,186 S * 10/2019 Han D12/209
D863,187 S * 10/2019 Han D12/209
D863,190 S * 10/2019 Han D12/209
D877,676 S * 3/2020 Lee D12/209

* cited by examiner

Primary Examiner — Stacia A Cadmus

(74) *Attorney, Agent, or Firm* — AHN IP Law

(57) **CLAIM**

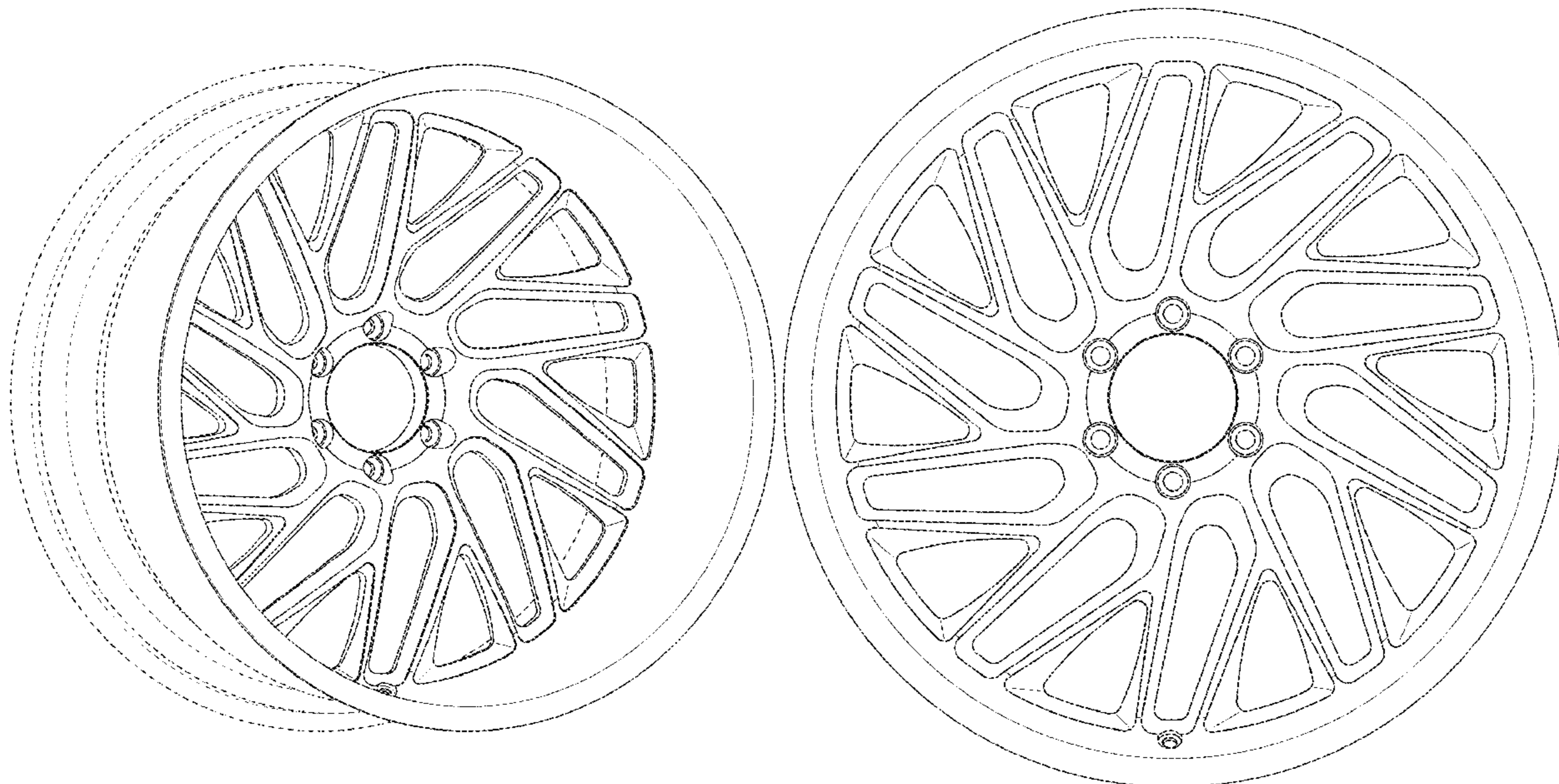
The ornamental design for an automotive wheel, as shown and described.

DESCRIPTION

FIG. 1 is a perspective view of an automotive wheel showing my new design;
FIG. 2 is a front view thereof;
FIG. 3 is a perspective view of a second embodiment of an automotive wheel;
FIG. 4 is a front view of FIG. 3;
FIG. 5 is a perspective view of a third embodiment of an automotive wheel;
FIG. 6 is a front view of FIG. 5;
FIG. 7 is a perspective view of a fourth embodiment of an automotive wheel; and,
FIG. 8 is a front view of FIG. 7.

The broken lines shown in the figures are included for the purpose of illustrating the environment and form no part of the claimed design.

1 Claim, 8 Drawing Sheets



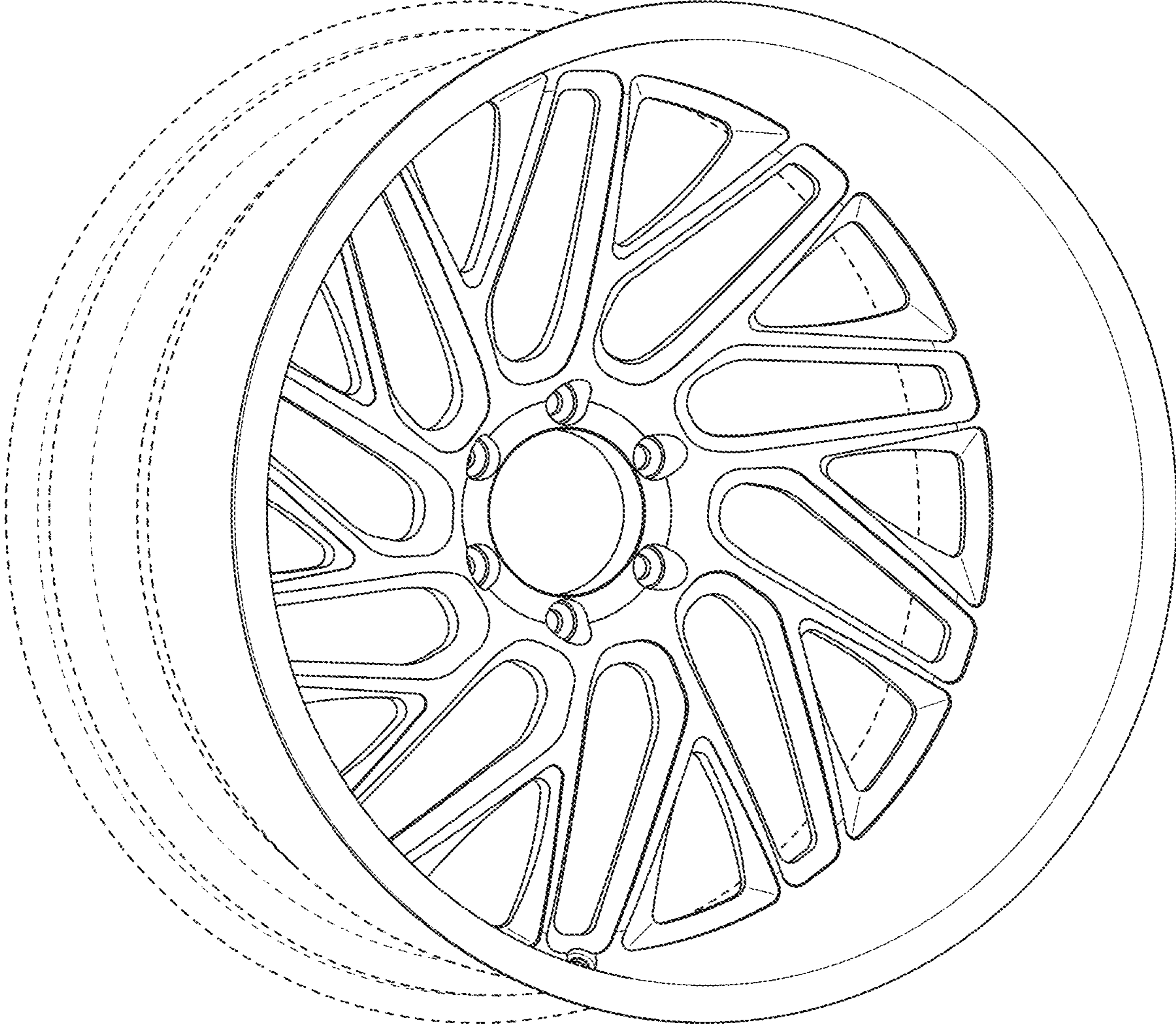


FIG. 1

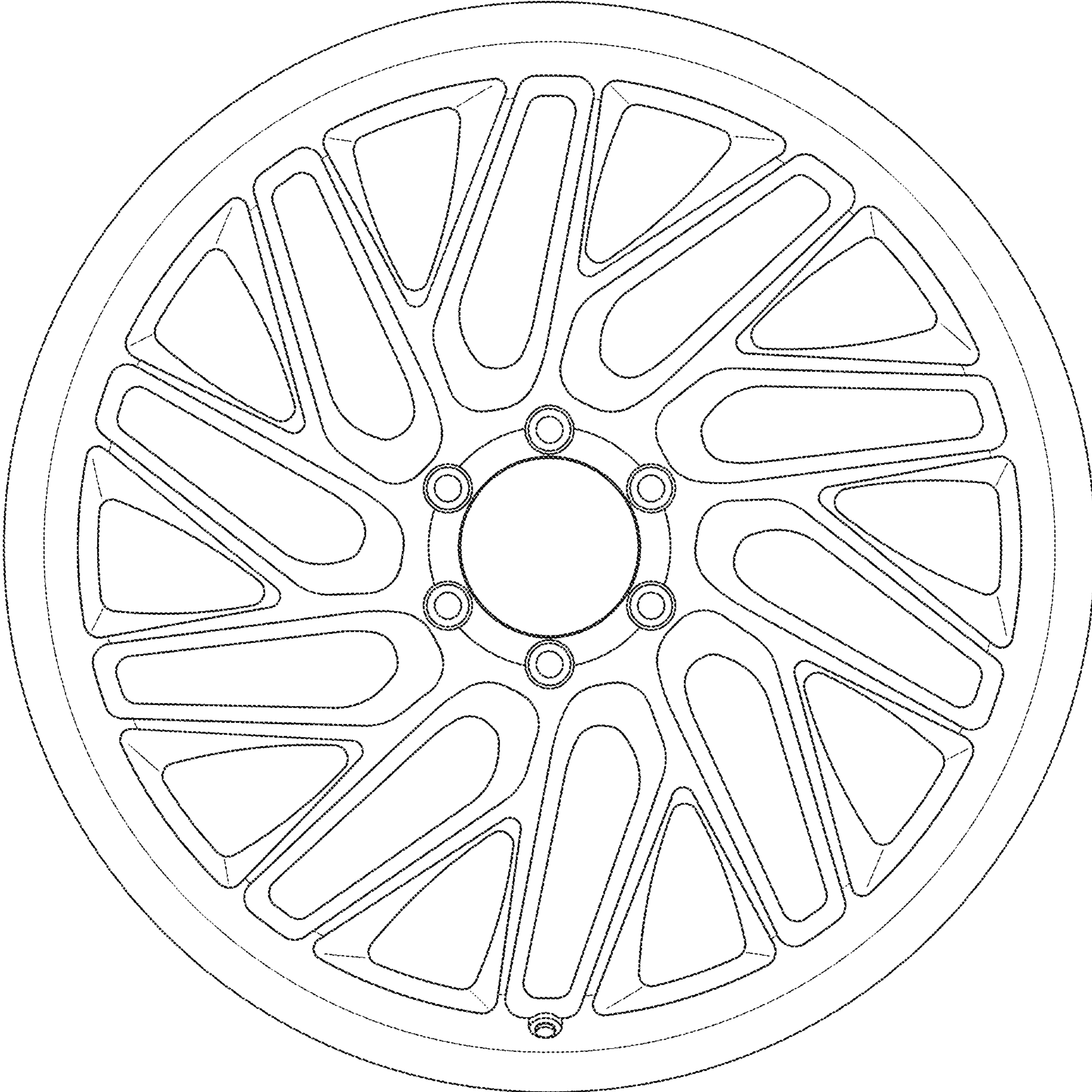


FIG. 2

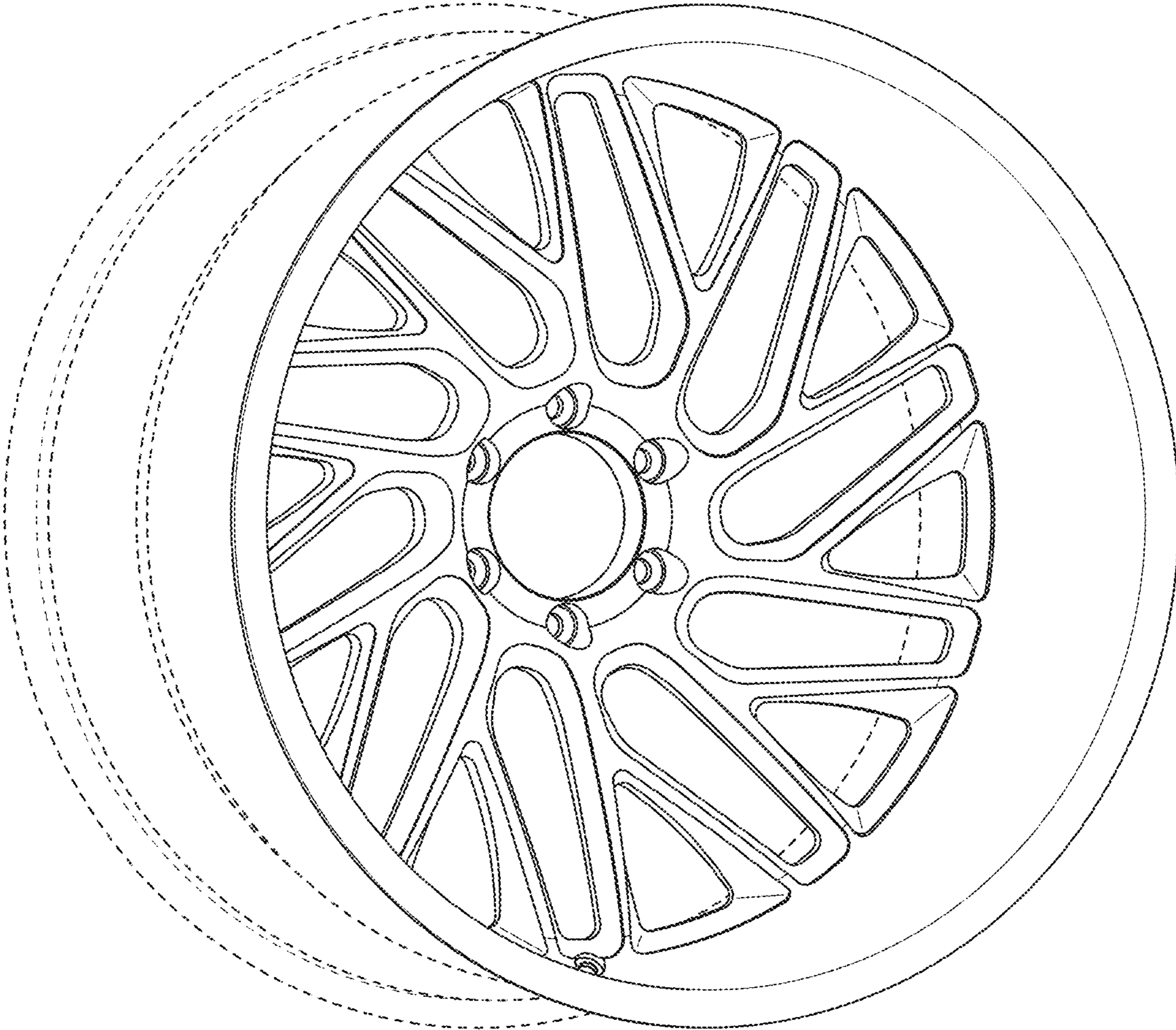


FIG. 3

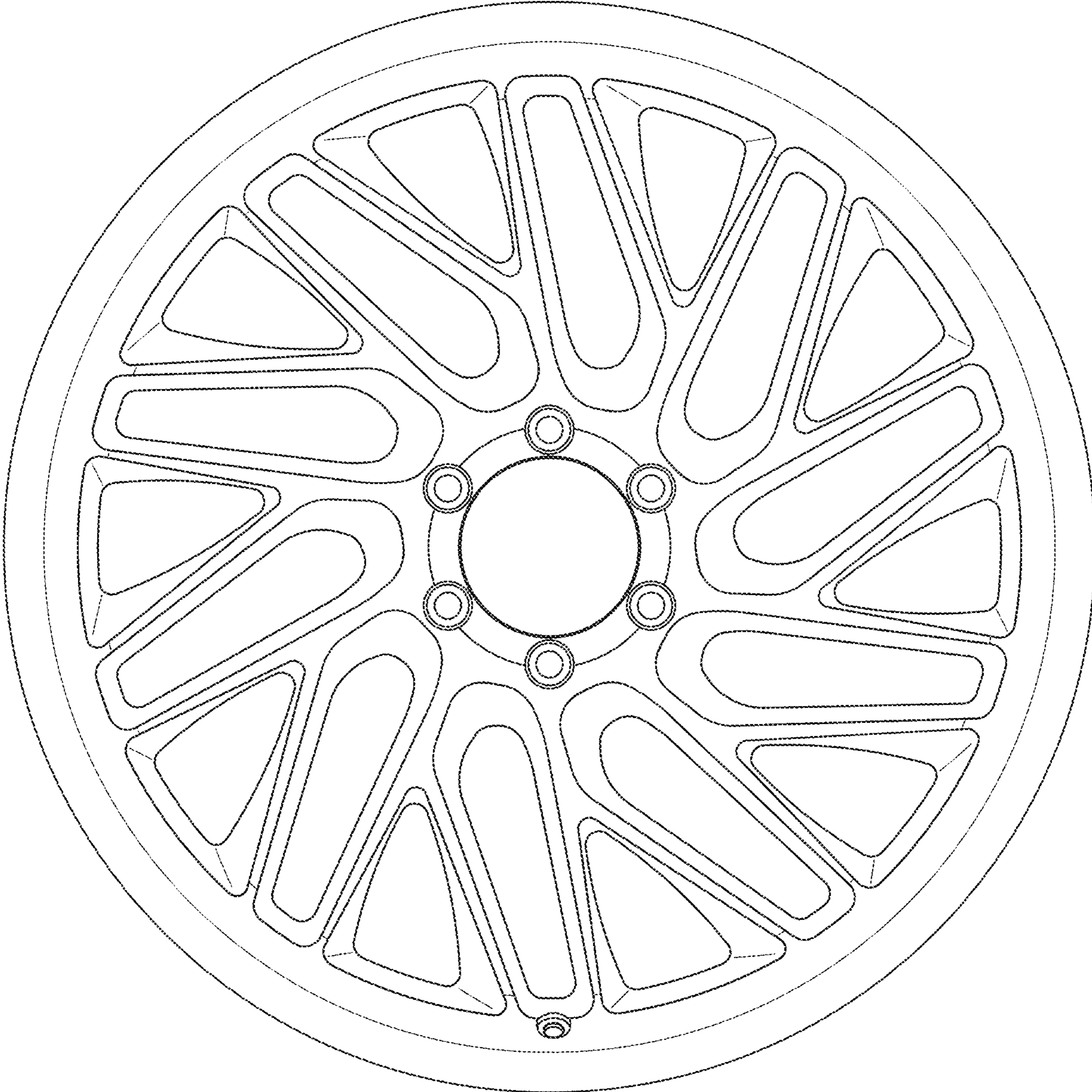


FIG. 4

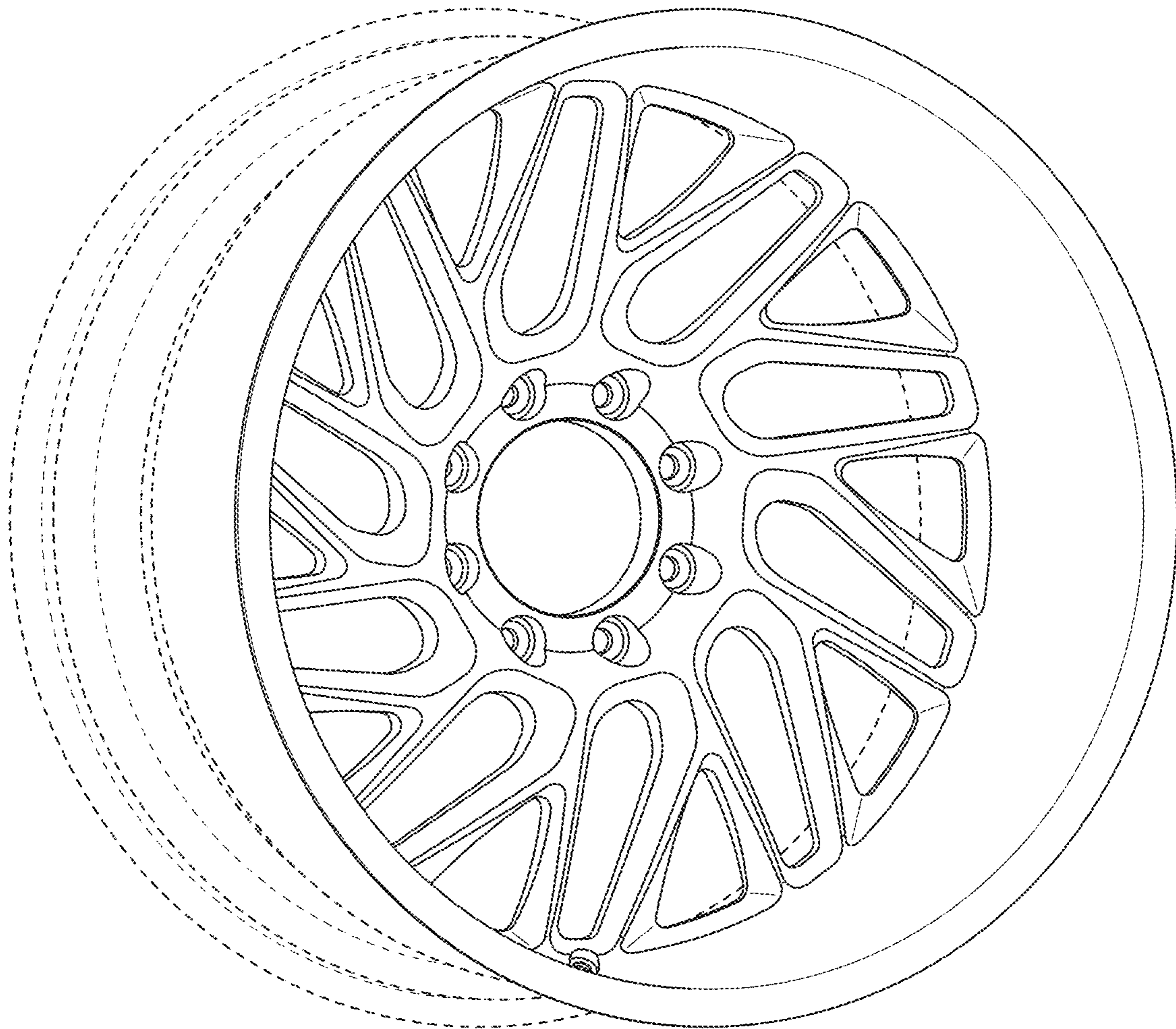


FIG. 5

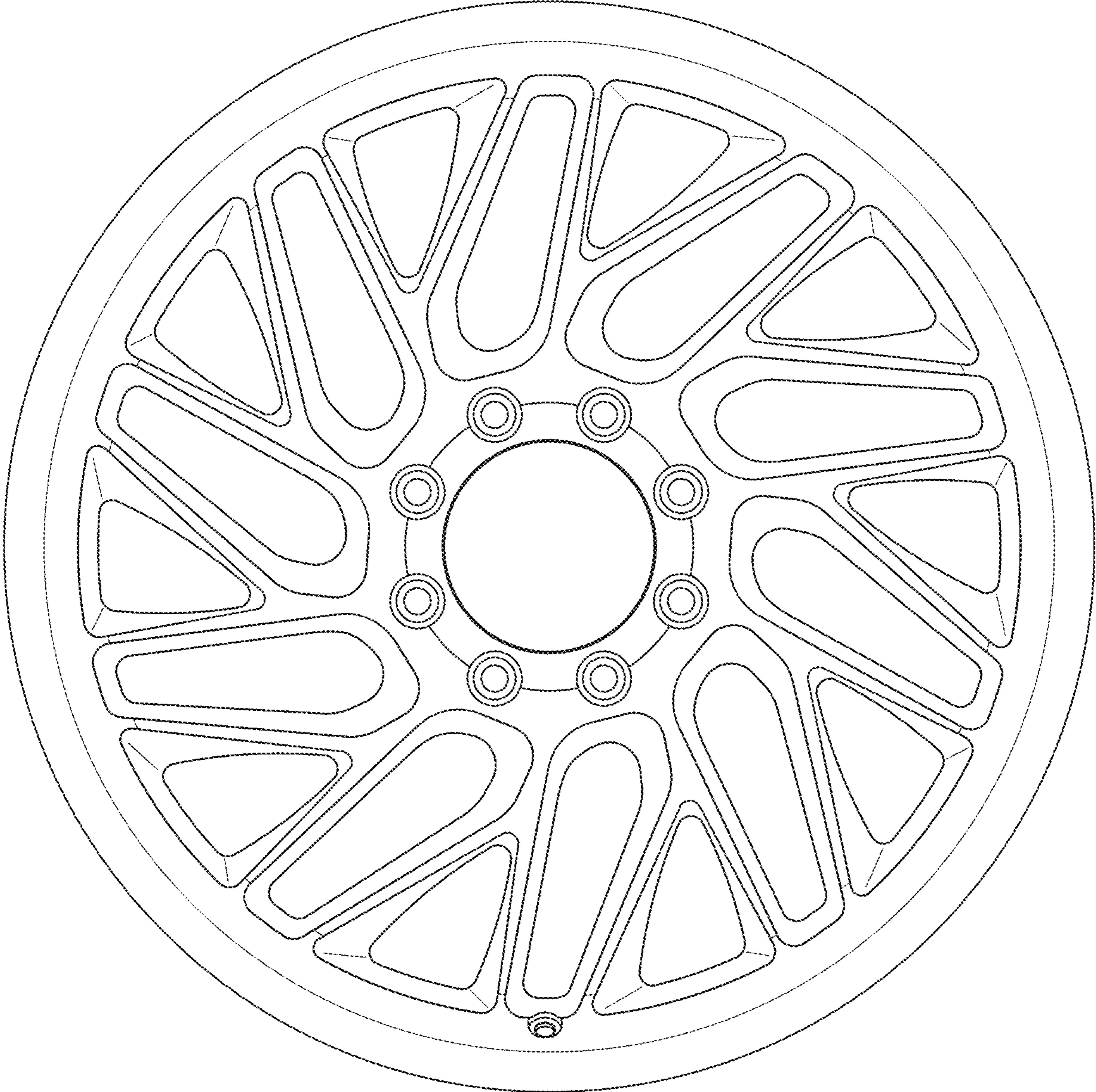


FIG. 6

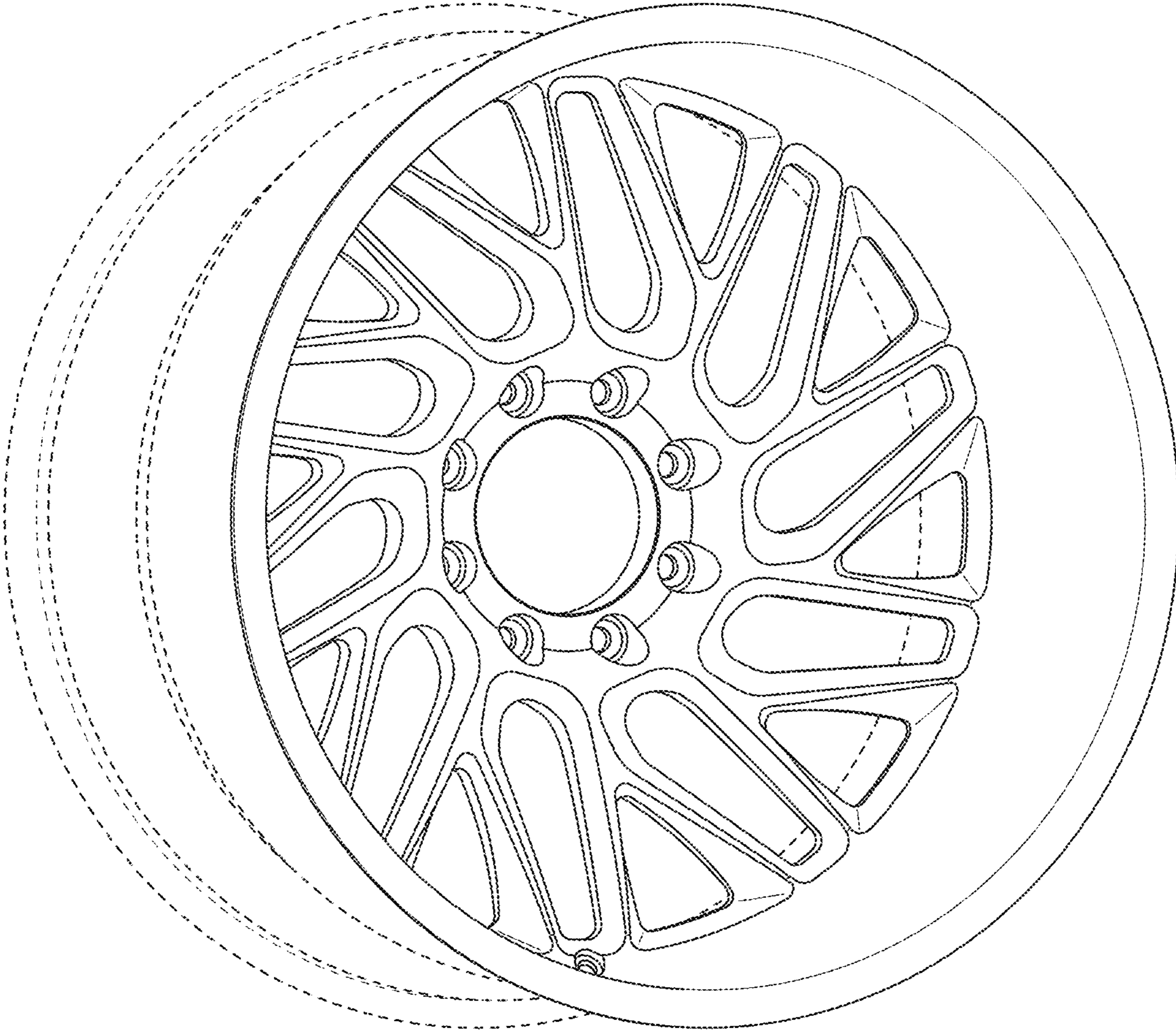


FIG. 7

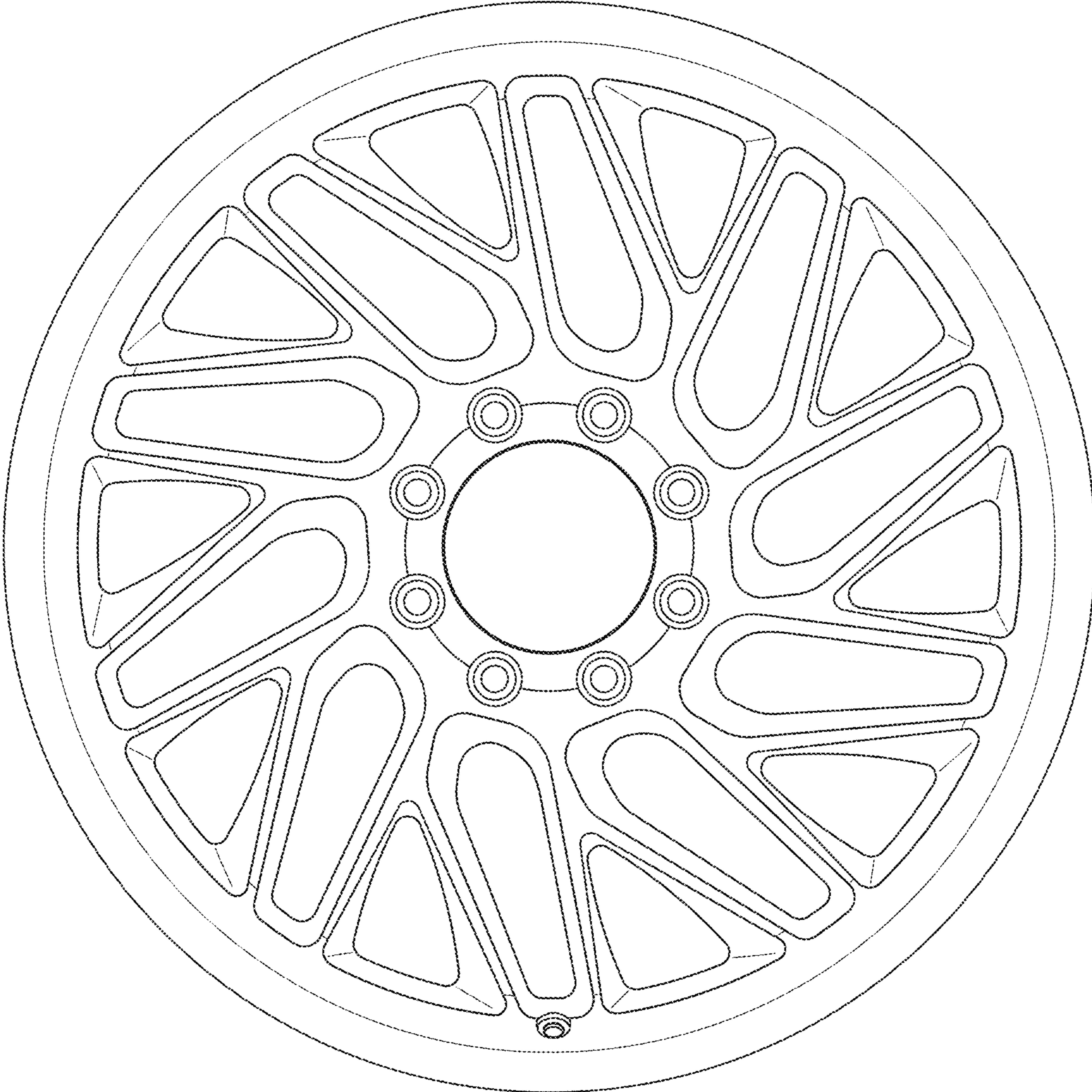


FIG. 8