



US00D894076S

(12) **United States Design Patent**
Lee

(10) **Patent No.:** **US D894,076 S**

(45) **Date of Patent:** **** Aug. 25, 2020**

(54) **AUTOMOTIVE WHEEL**

(71) Applicant: **MKW Alloy, Inc.**, City of Industry, CA (US)

(72) Inventor: **Kevin Lee**, Yorba Linda, CA (US)

(73) Assignee: **MKW ALLOY, INC.**, City of Industry, CA (US)

(**) Term: **15 Years**

(21) Appl. No.: **29/696,687**

(22) Filed: **Jun. 28, 2019**

(51) **LOC (12) Cl.** **12-16**

(52) **U.S. Cl.**
USPC **D12/209**

(58) **Field of Classification Search**
USPC D12/204-213; D21/563
CPC B60B 7/00; B60B 7/02; B60B 7/04; B60B 7/01; B60B 7/06; B60B 3/02; B60B 3/04; B60B 3/06; B60B 3/10; B60B 1/00; B60B 1/08; B60B 1/10; B60B 1/12
See application file for complete search history.

(56) **References Cited**

U.S. PATENT DOCUMENTS

D391,216 S	*	2/1998	Bollmann	D12/209
D481,344 S	*	10/2003	Mattin	D12/211
D488,763 S	*	4/2004	Takechi	D12/211
D497,869 S	*	11/2004	Guevara	D12/211

D555,066 S	*	11/2007	Hernandez	D12/211
D579,848 S	*	11/2008	Kim	D12/211
D582,828 S	*	12/2008	Young	D12/211
D656,450 S	*	3/2012	Zhao	D12/211
D723,994 S	*	3/2015	Chung	D12/211
D743,316 S	*	11/2015	Zhao	D12/211
D749,486 S	*	2/2016	Huang	D12/211
D751,480 S	*	3/2016	Chung	D12/209
D782,950 S	*	4/2017	Hatton	D12/209
D853,933 S	*	7/2019	Henderson	D12/211
D856,245 S	*	8/2019	Hale, Jr.	D12/209
D865,609 S	*	11/2019	Yeh	D12/209
D865,625 S	*	11/2019	Chiu	D12/209
D867,254 S	*	11/2019	Zhao	D12/209

* cited by examiner

Primary Examiner — Stacia A Cadmus

(74) *Attorney, Agent, or Firm* — Ahn IP Law

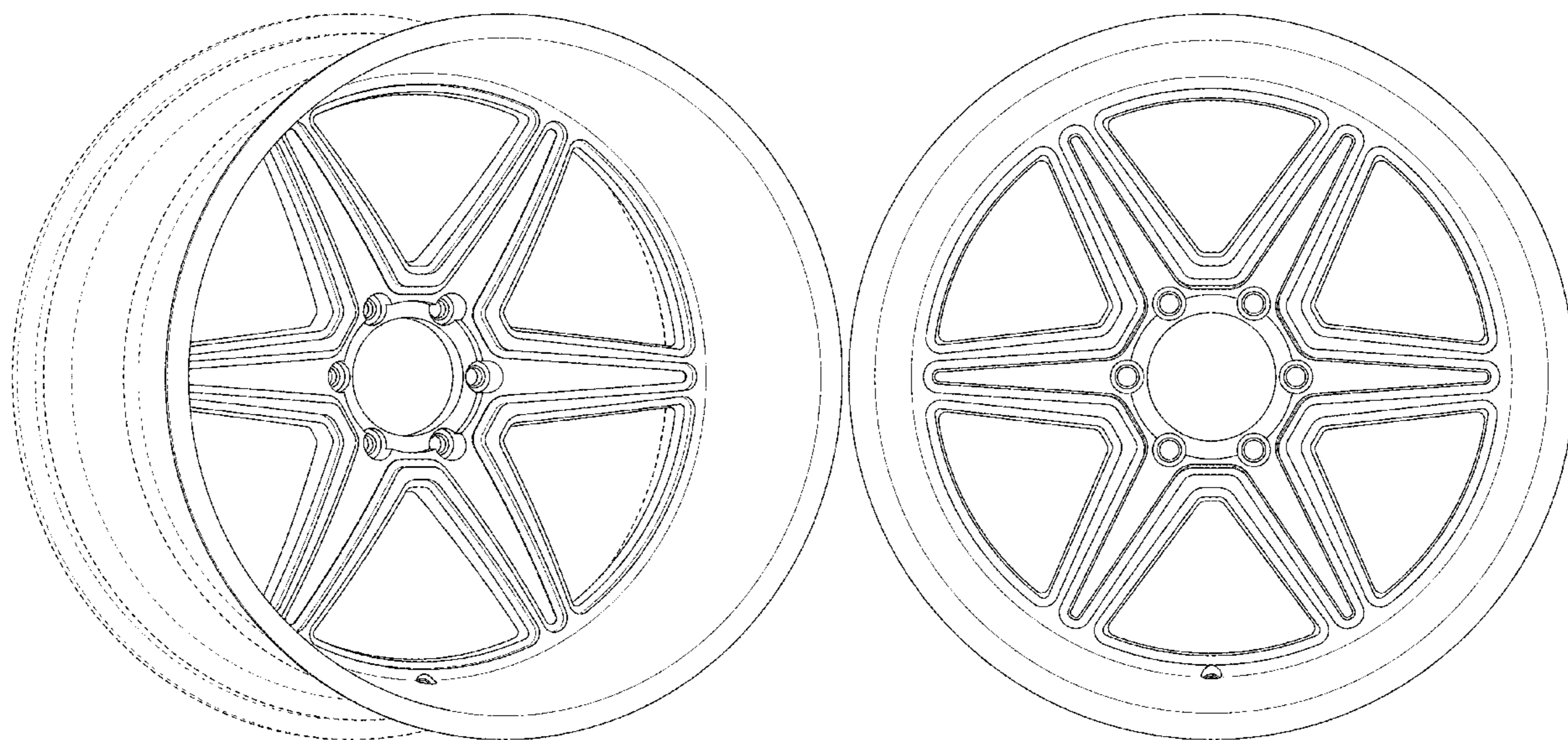
(57) **CLAIM**

The ornamental design for an automotive wheel, as shown and described.

DESCRIPTION

FIG. 1 is a perspective view of an automotive wheel showing my new design; and, FIG. 2 is a front view thereof. The broken lines shown in the figures are included for the purpose of illustrating the environment and form no part of the claimed design.

1 Claim, 2 Drawing Sheets



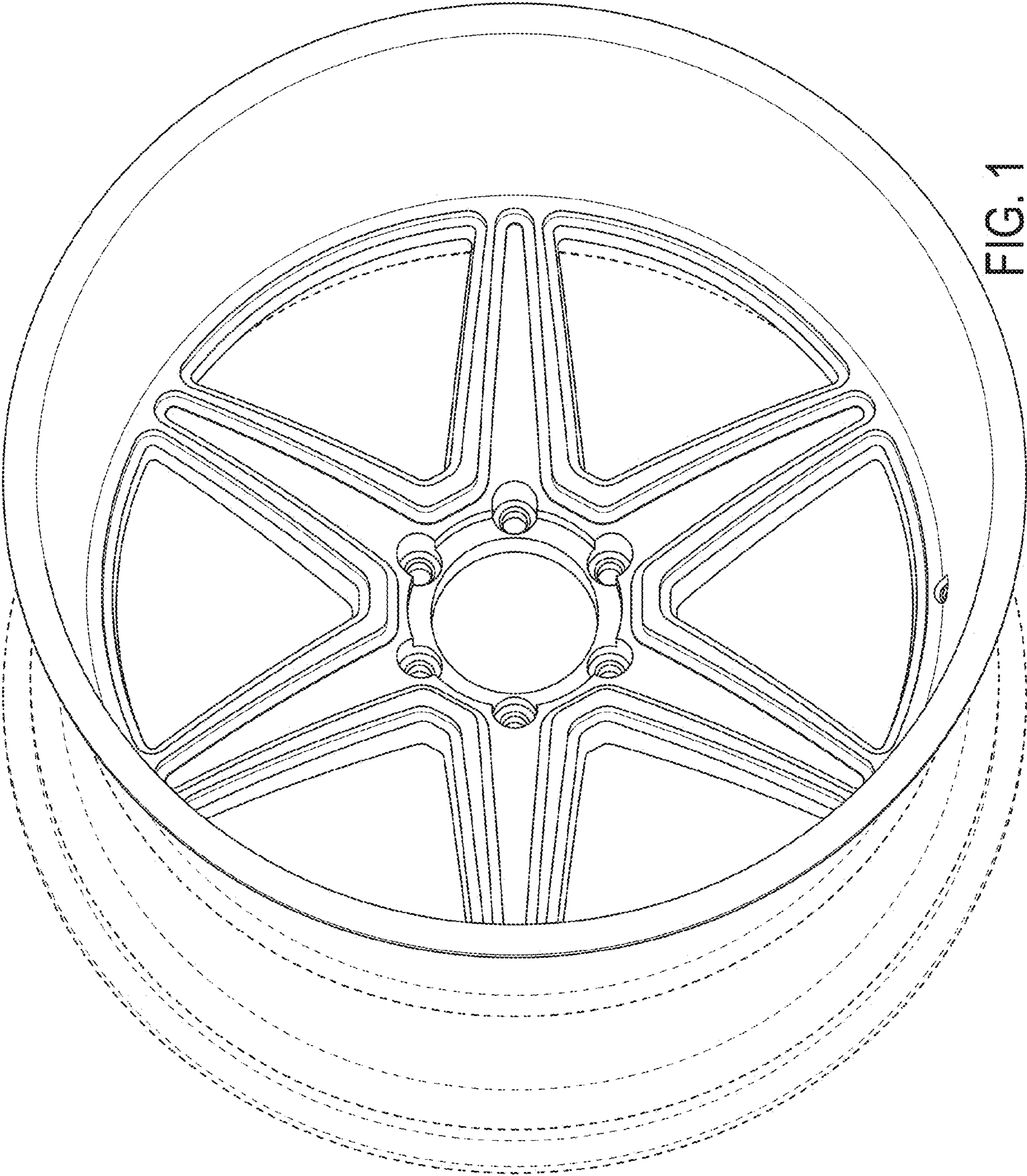


FIG. 1

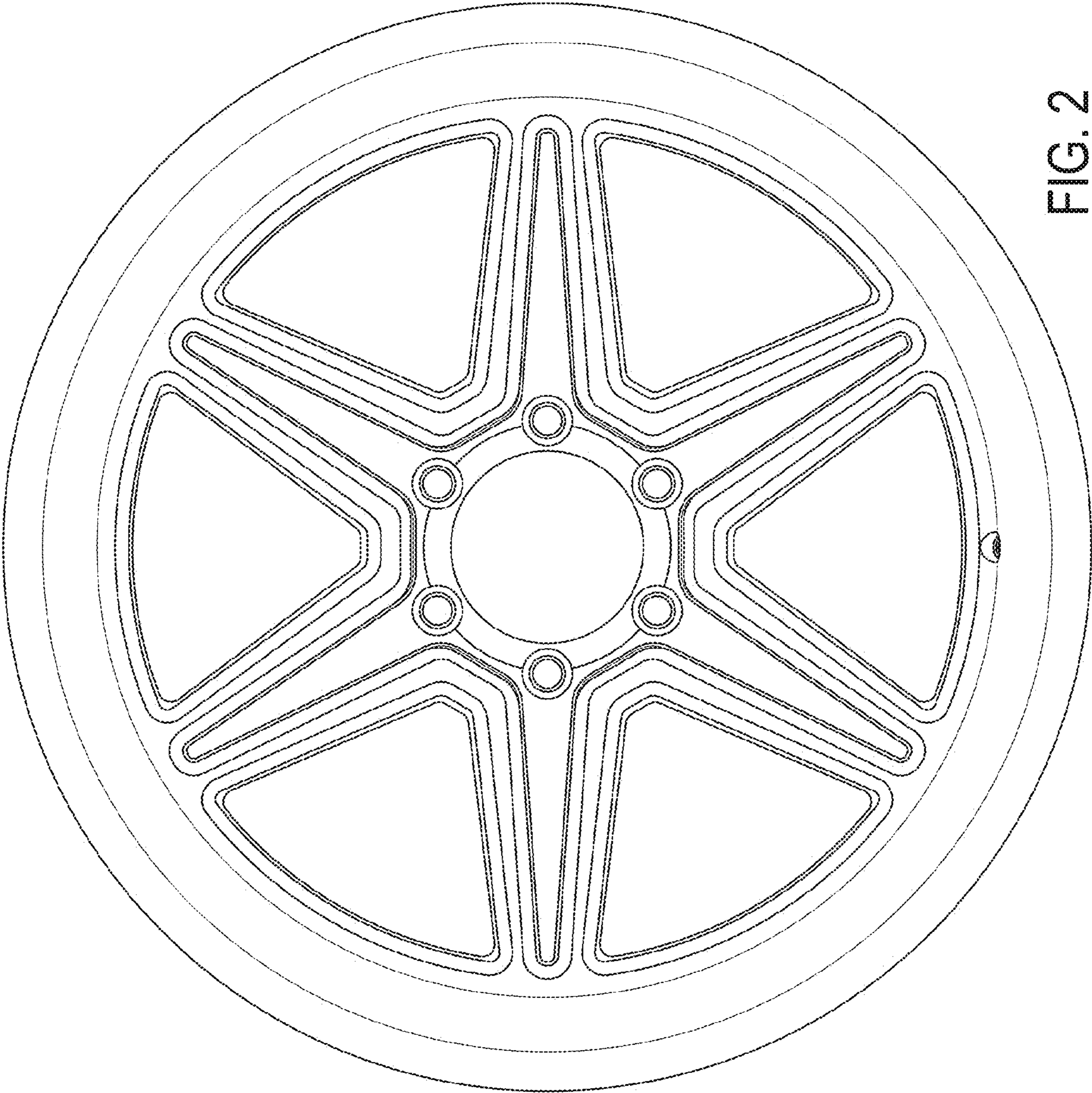


FIG. 2