



US00D894075S

(12) **United States Design Patent**
Ninov et al.

(10) **Patent No.:** **US D894,075 S**

(45) **Date of Patent:** **** Aug. 25, 2020**

(54) **AUTOMOBILE WHEEL**

(71) Applicants: **Deyan Ninov**, Royal Oak, MI (US);
Michael C. Gillam, Oxford, MI (US)

(72) Inventors: **Deyan Ninov**, Royal Oak, MI (US);
Michael C. Gillam, Oxford, MI (US)

(73) Assignee: **FCA US LLC**, Auburn Hills, MI (US)

(**) Term: **15 Years**

(21) Appl. No.: **29/694,078**

(22) Filed: **Jun. 7, 2019**

(51) **LOC (12) Cl.** **12-16**

(52) **U.S. Cl.**
USPC **D12/209**

(58) **Field of Classification Search**
USPC D12/204–213; D21/563
CPC B60B 7/00; B60B 7/02; B60B 7/04; B60B
7/01; B60B 7/06; B60B 3/02; B60B 3/04;
B60B 3/06; B60B 3/10; B60B 1/00;
B60B 1/08; B60B 1/10; B60B 1/12
See application file for complete search history.

(56) **References Cited**

U.S. PATENT DOCUMENTS

D329,416 S	*	9/1992	Braungart	D12/209
D451,462 S	*	12/2001	Donikoglu	D12/209
D455,692 S	*	4/2002	Iguchi	D12/209
D479,174 S	*	9/2003	McMath	D12/209
D499,061 S	*	11/2004	Echazabal	D12/209
D513,218 S	*	12/2005	Fitzgerald	D12/209
D536,292 S	*	2/2007	Sulahian	D12/209
D547,710 S	*	7/2007	Guevara	D12/209
D575,716 S	*	8/2008	Chung	D12/209

D581,338 S	*	11/2008	Imai	D12/209
D620,422 S	*	7/2010	George	D12/209
D669,006 S	*	10/2012	Starr, Jr.	D12/209
D671,879 S	*	12/2012	Telaak	D12/209
D678,158 S	*	3/2013	Wang	D12/209
D678,161 S	*	3/2013	Claunch	D12/209
D709,426 S	*	7/2014	Kong	D12/209
D712,330 S	*	9/2014	Chung	D12/209
D763,160 S	*	8/2016	Hashimoto	D12/209
D781,197 S	*	3/2017	Ninov	D12/209
D783,498 S	*	4/2017	Platto	D12/211
D788,670 S	*	6/2017	Chung	D12/209
D792,312 S	*	7/2017	Wilson	D12/211
D803,748 S	*	11/2017	English	D12/209
D837,124 S	*	1/2019	He	D12/209
D843,297 S	*	3/2019	Hodges	D12/209
D851,012 S	*	6/2019	Rosenthal	D12/209
D856,250 S	*	8/2019	Dewitt	D12/209
D856,251 S	*	8/2019	Dewitt	D12/209
D871,997 S	*	1/2020	Itaya	D12/209

* cited by examiner

Primary Examiner — Stacia A Cadmus

(74) *Attorney, Agent, or Firm* — Ralph E. Smith

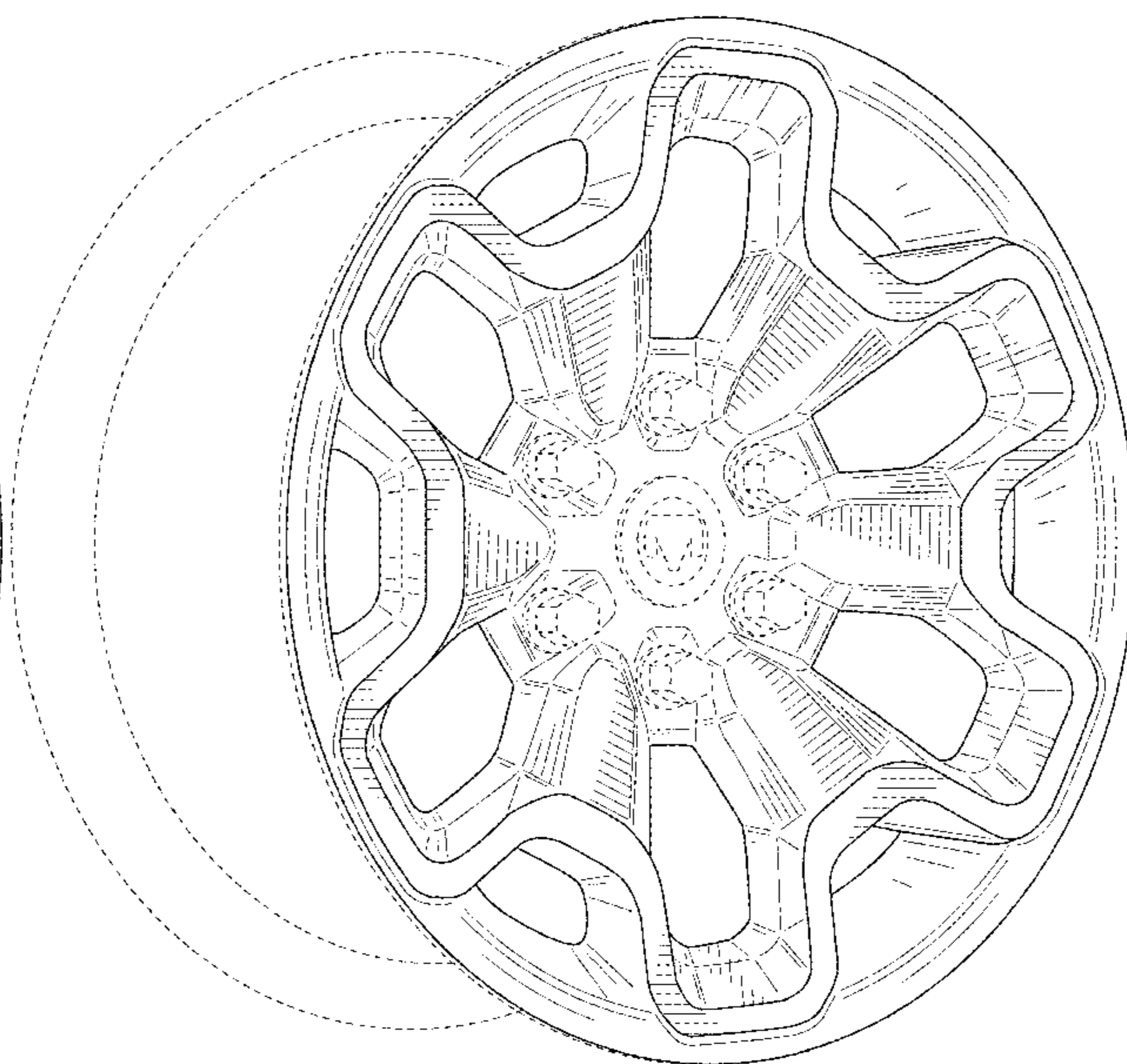
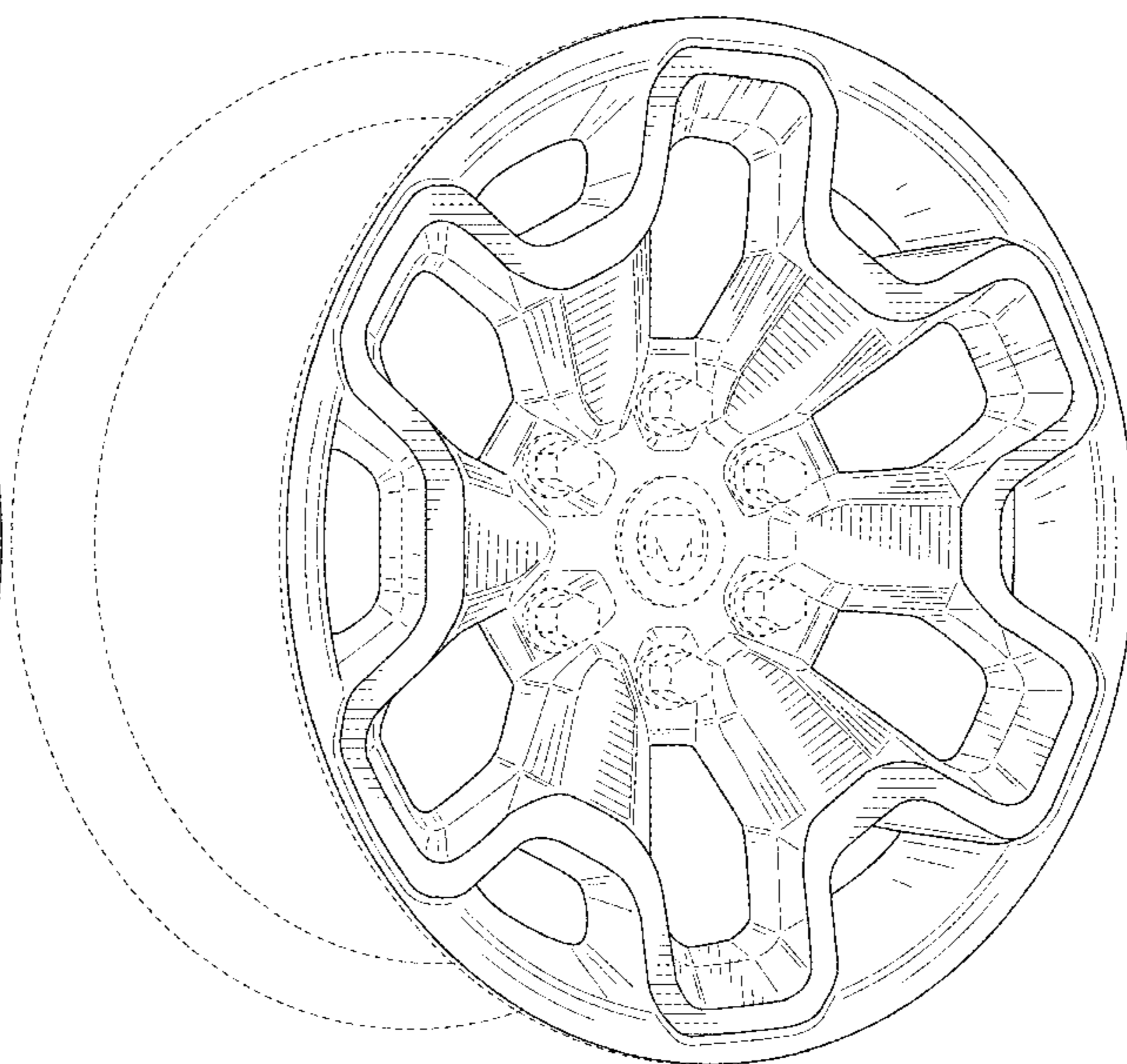
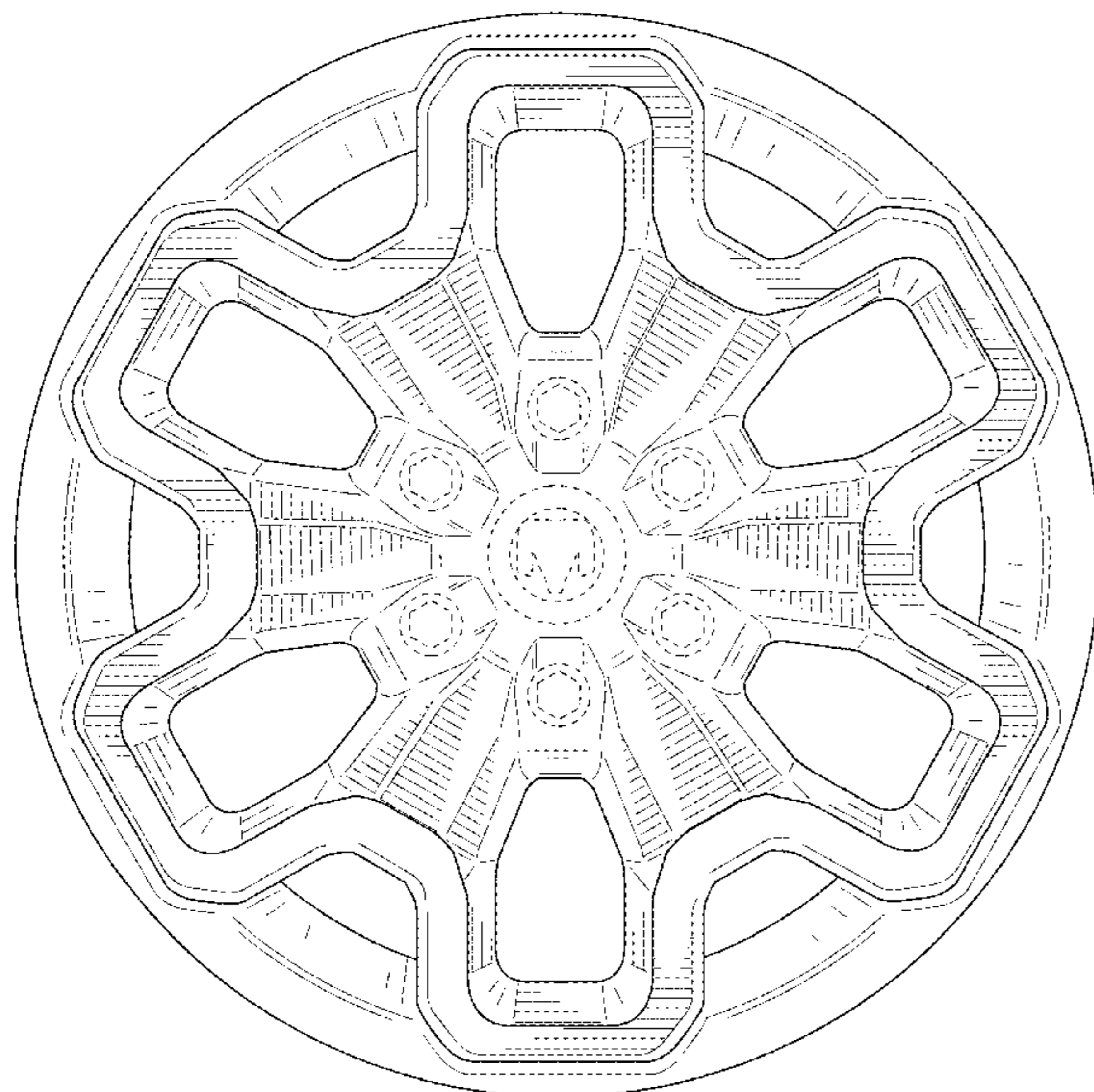
(57) **CLAIM**

The ornamental design for an automobile wheel, as shown and described.

DESCRIPTION

FIG. 1 is a front view of an automobile wheel showing our new design; FIG. 2 is a left perspective view thereof; and, FIG. 3 is a right perspective view thereof. It will be understood that the broken lines shown in the drawings illustrate portions of the automobile wheel that form no part of the claimed design.

1 Claim, 3 Drawing Sheets



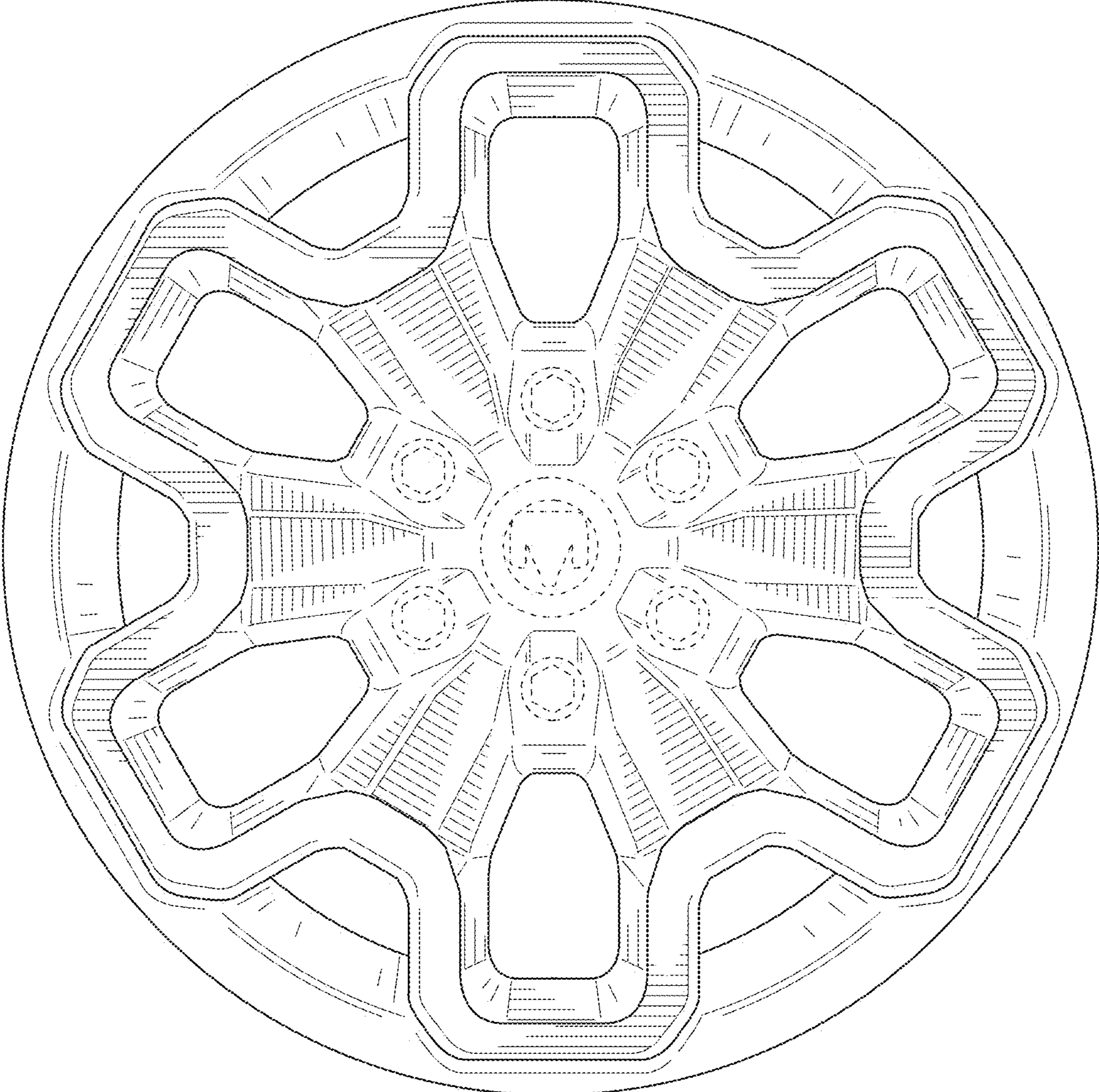


FIG. 1

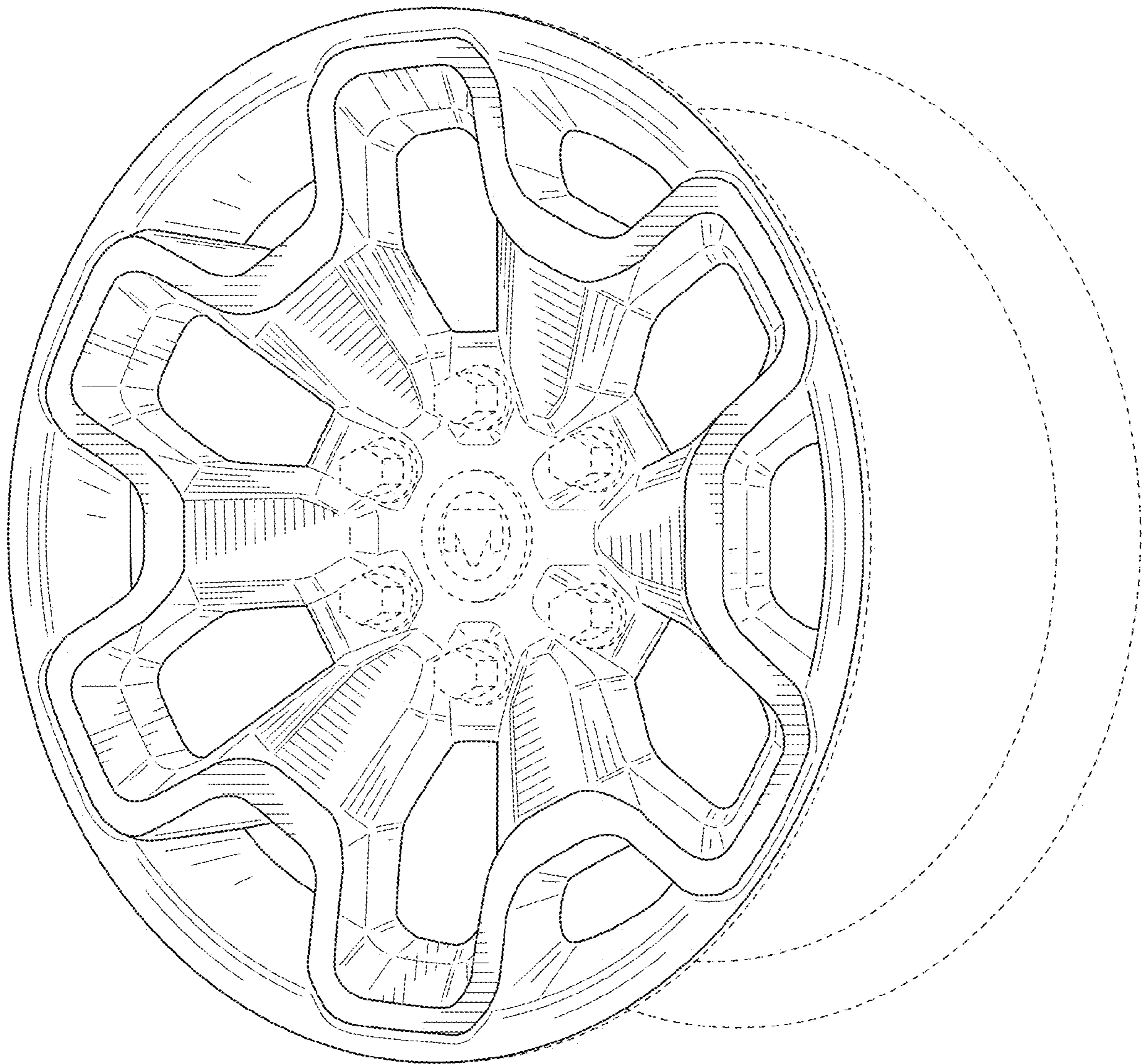


FIG. 2

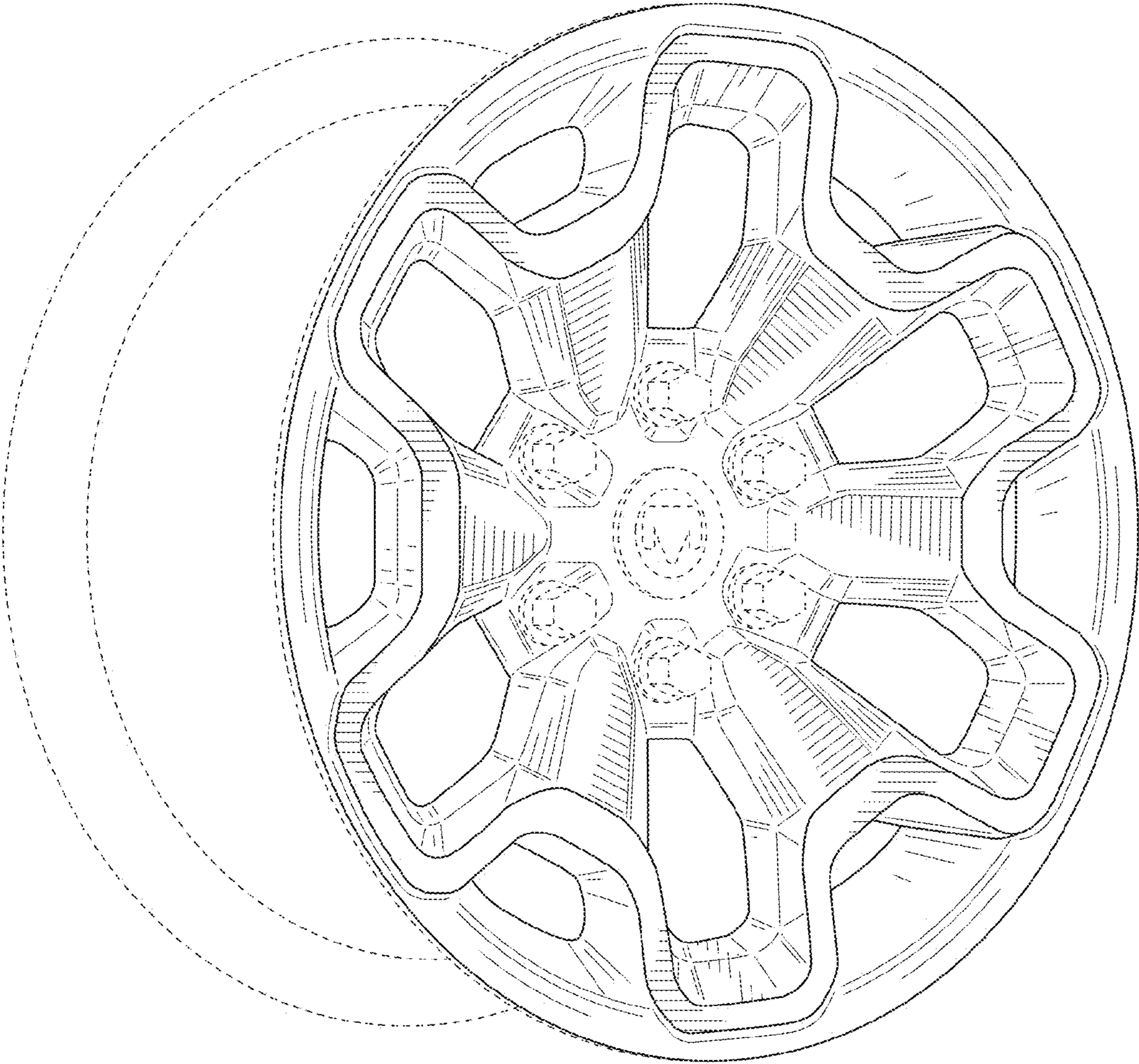


FIG. 3