



US00D894074S

(12) **United States Design Patent**
Woodhouse et al.

(10) **Patent No.:** **US D894,074 S**

(45) **Date of Patent:** **** Aug. 25, 2020**

(54) **VEHICLE WHEEL**

(71) Applicant: **Ford Global Technologies, LLC,**
Dearborn, MI (US)

(72) Inventors: **David Woodhouse,** Troy, MI (US);
Kemal Curic, Irvine, CA (US); **Shawn Wehrly,** Northville, MI (US); **Anthony Colard,** Dearborn, MI (US)

(73) Assignee: **Ford Global Technologies, LLC,**
Dearborn, MI (US)

(**) Term: **15 Years**

(21) Appl. No.: **29/685,600**

(22) Filed: **Mar. 29, 2019**

(51) **LOC (12) Cl.** **12-16**

(52) **U.S. Cl.**
USPC **D12/209**

(58) **Field of Classification Search**

USPC D12/204–213; D21/563
CPC B60B 7/00; B60B 7/02; B60B 7/04; B60B 7/01; B60B 7/06; B60B 3/02; B60B 3/04; B60B 3/06; B60B 3/10; B60B 1/00; B60B 1/08; B60B 1/10; B60B 1/12

See application file for complete search history.

(56) **References Cited**

U.S. PATENT DOCUMENTS

D477,556 S * 7/2003 Koch D12/211
D486,772 S * 2/2004 Warming D12/211
D508,007 S * 8/2005 Koch D12/211
D513,728 S * 1/2006 Yazawa D12/211
D525,184 S * 7/2006 Huet D12/211

D617,249 S * 6/2010 Juergens D12/211
D619,071 S * 7/2010 Christensen D12/211
D620,871 S * 8/2010 Juergens D12/211
D635,077 S * 3/2011 Nordmann D12/209
D639,225 S * 6/2011 Forschner D12/211
D671,060 S * 11/2012 Baum D12/209
D696,616 S 12/2013 Gueler et al.
D720,676 S 1/2015 Caswell et al.
D720,677 S 1/2015 Diephuis et al.
D727,234 S 4/2015 Caswell et al.
D730,797 S 6/2015 Caswell et al.
D730,798 S 6/2015 Diephuis et al.
D744,926 S 12/2015 Caswell et al.
D745,842 S * 12/2015 Wheel D12/209
D751,482 S 3/2016 Caswell et al.
D786,767 S * 5/2017 Bjerke D12/209
D787,411 S * 5/2017 Peat D12/211
D798,787 S * 10/2017 Song D12/211
D826,821 S * 8/2018 Woodhouse D12/209
D846,474 S * 4/2019 Lucas D12/209
D846,475 S * 4/2019 Lucas D12/209
D853,930 S * 7/2019 Woodhouse D12/209
D862,348 S * 10/2019 Woodhouse D12/209
D862,349 S * 10/2019 Woodhouse D12/209
D877,035 S * 3/2020 Park D12/211

* cited by examiner

Primary Examiner — Stacia A Cadmus

(74) *Attorney, Agent, or Firm* — Vichit Chea

(57) **CLAIM**

The ornamental design for a vehicle wheel, as shown and described.

DESCRIPTION

FIG. 1 is a front elevational view of a vehicle wheel showing our new design; and, FIG. 2 is a perspective view thereof.

1 Claim, 2 Drawing Sheets

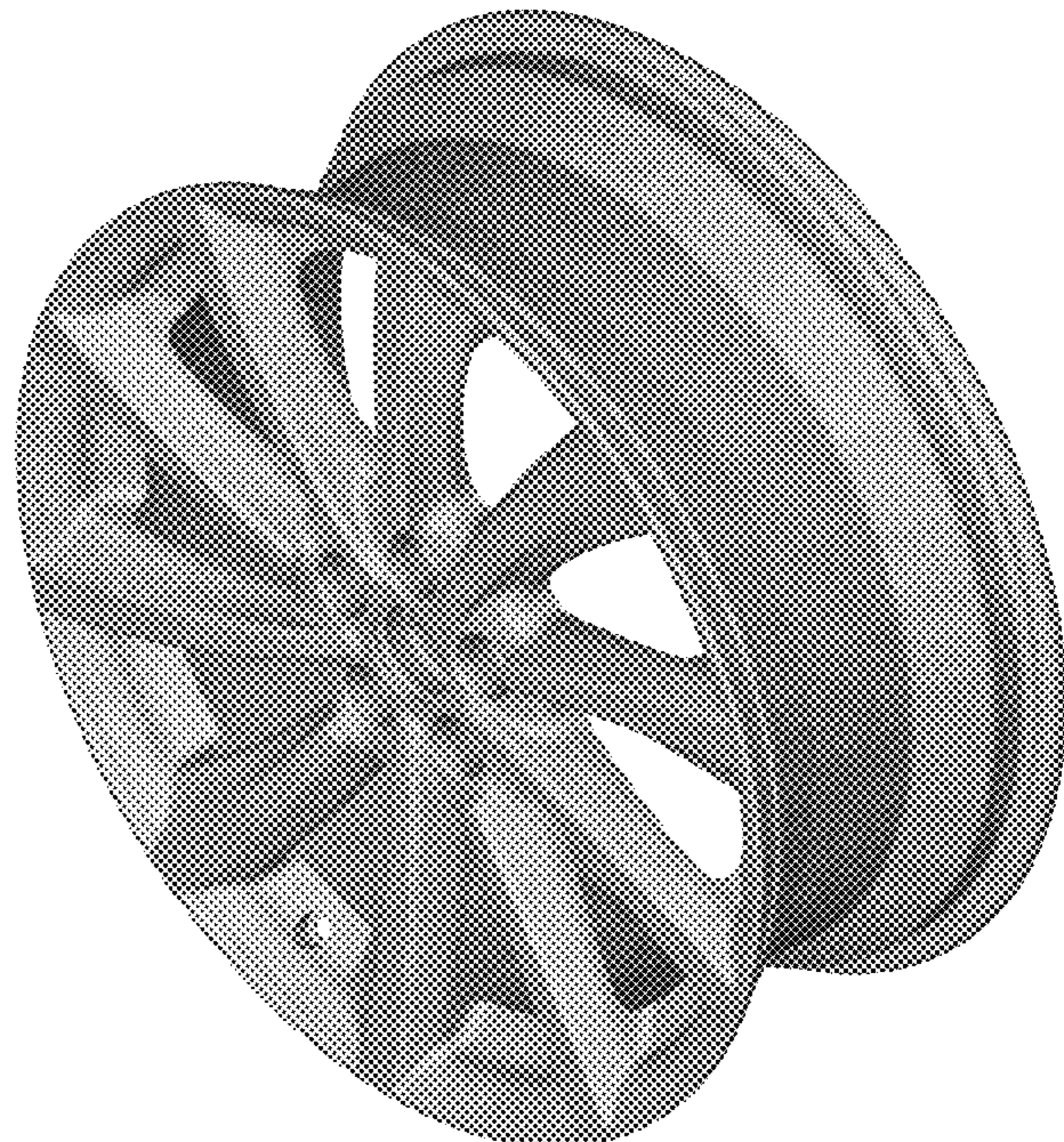
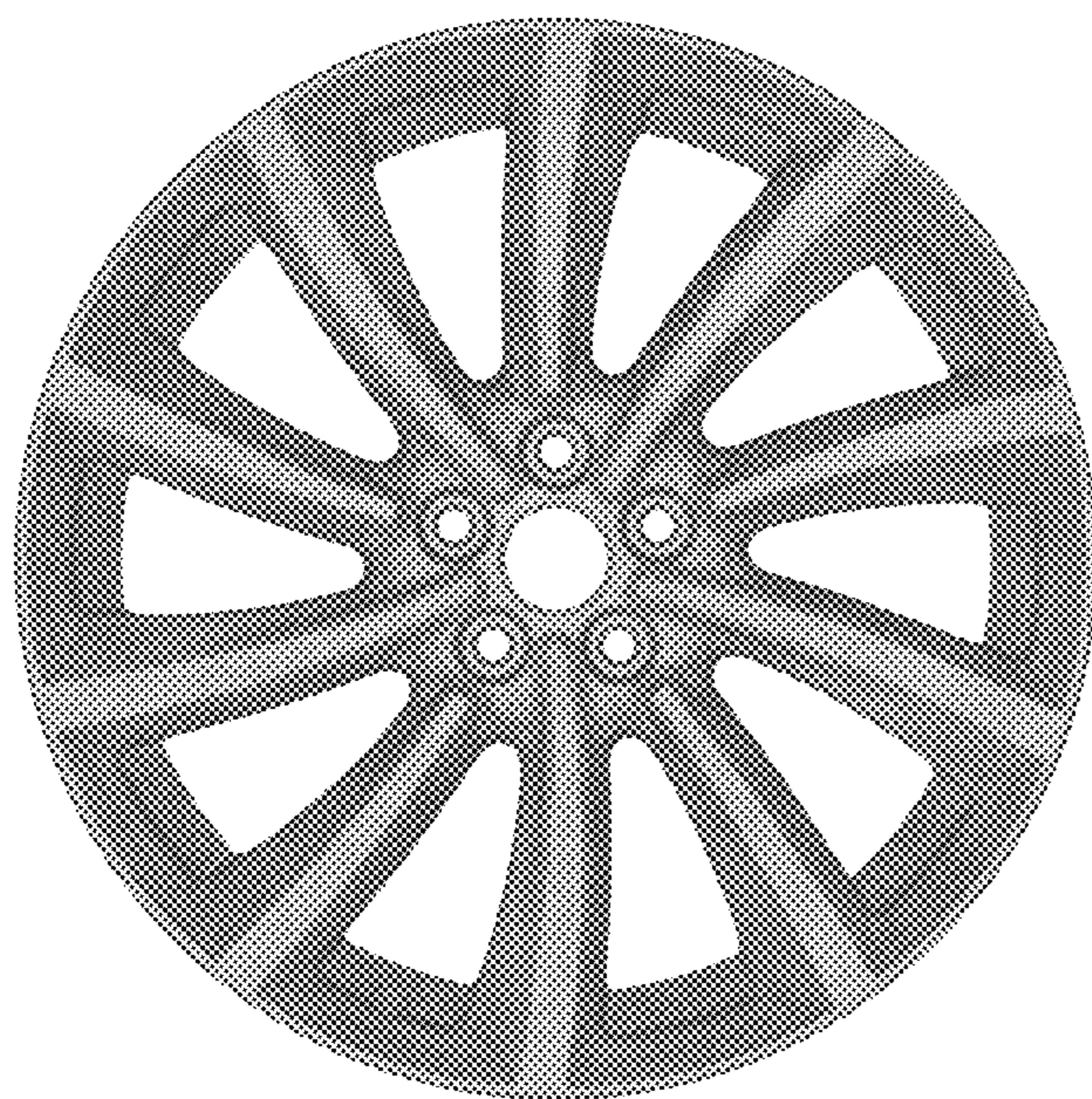




Fig. 1

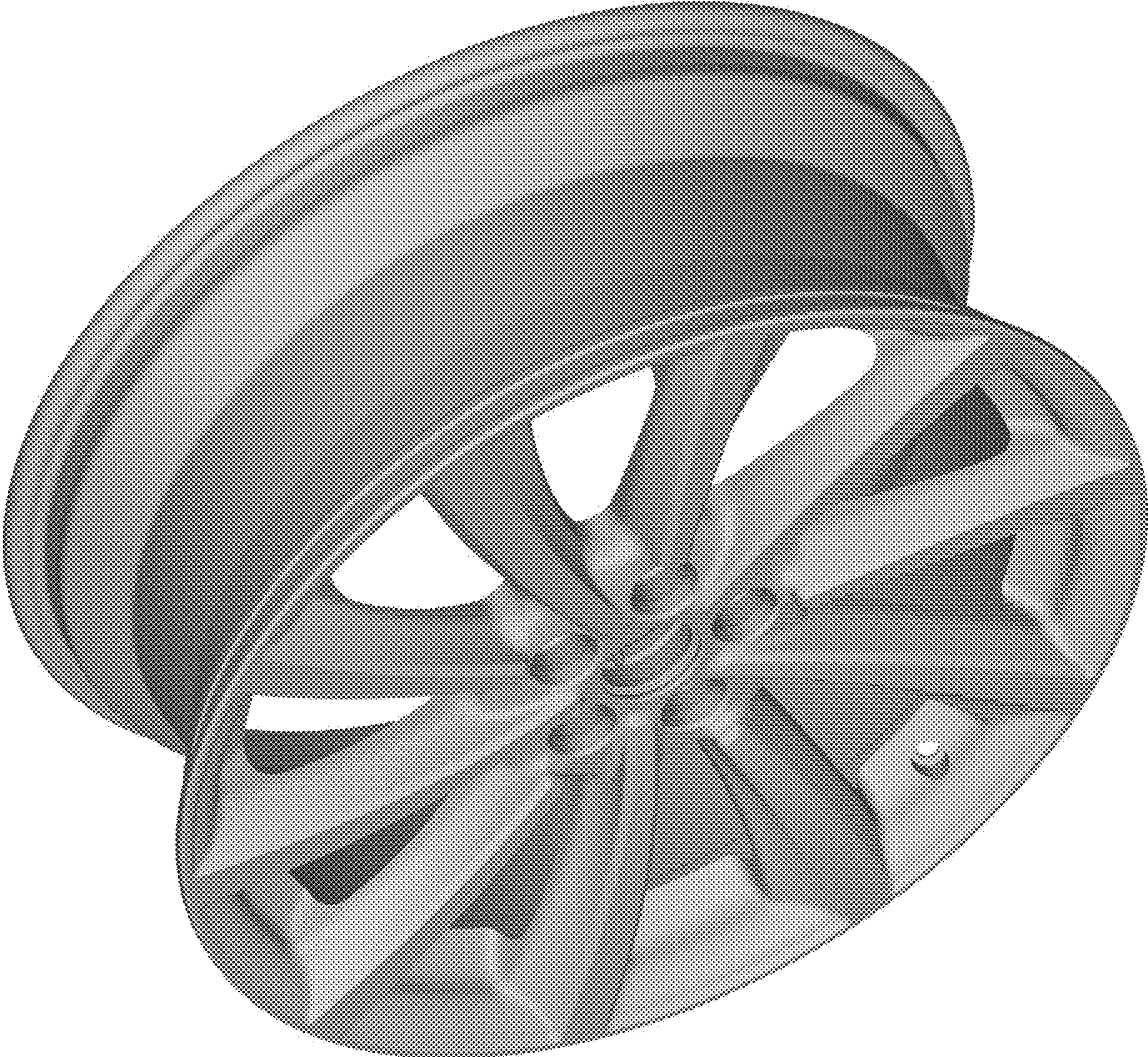


Fig. 2