



US00D894071S

(12) **United States Design Patent**  
**Langkilde**

(10) **Patent No.:** **US D894,071 S**

(45) **Date of Patent:** **\*\* Aug. 25, 2020**

- (54) **MOTOR VEHICLE FASCIA**
- (71) Applicant: **Lightforce Australia Pty Ltd.,**  
Hindmarsh (AU)
- (72) Inventor: **Kerry Langkilde,** Hindmarsh (AU)
- (73) Assignee: **Lightforce Australia Pty Ltd.,**  
Hindmarsh (AU)
- (\*\*) Term: **15 Years**
- (21) Appl. No.: **29/578,261**
- (22) Filed: **Sep. 20, 2016**
- (51) **LOC (12) Cl.** ..... **12-16**
- (52) **U.S. Cl.**  
USPC ..... **D12/196**
- (58) **Field of Classification Search**  
USPC ..... D12/86, 90, 91, 92, 163, 164, 169, 173,  
D12/181, 196, 203; 293/102, 113, 115,  
293/117, 120; 296/180.1, 180.2, 181.1,  
296/181.5  
CPC ..... B62D 25/08; B62D 9/16; B62D 35/00;  
B62D 25/00; B60R 13/02; B60R 7/04  
See application file for complete search history.

- D771,533 S \* 11/2016 Kapitonov ..... D12/169
- D780,627 S \* 3/2017 Jhant ..... D12/14
- D782,935 S \* 4/2017 Knox ..... D12/87
- D787,371 S \* 5/2017 Hashimoto ..... D12/14
- D800,022 S \* 10/2017 Piscitelli ..... D12/98
- D801,860 S \* 11/2017 Piscitelli ..... D12/91
- D826,106 S \* 8/2018 Kahn ..... D12/163
- D826,107 S \* 8/2018 DiCanzio ..... D12/163
- 2007/0114812 A1 \* 5/2007 Hunt ..... B60R 13/08  
296/181.6

\* cited by examiner

*Primary Examiner* — Ian Simmons

*Assistant Examiner* — Yolanda Robinson

(74) *Attorney, Agent, or Firm* — Wood Herron & Evans  
LLP

(57) **CLAIM**

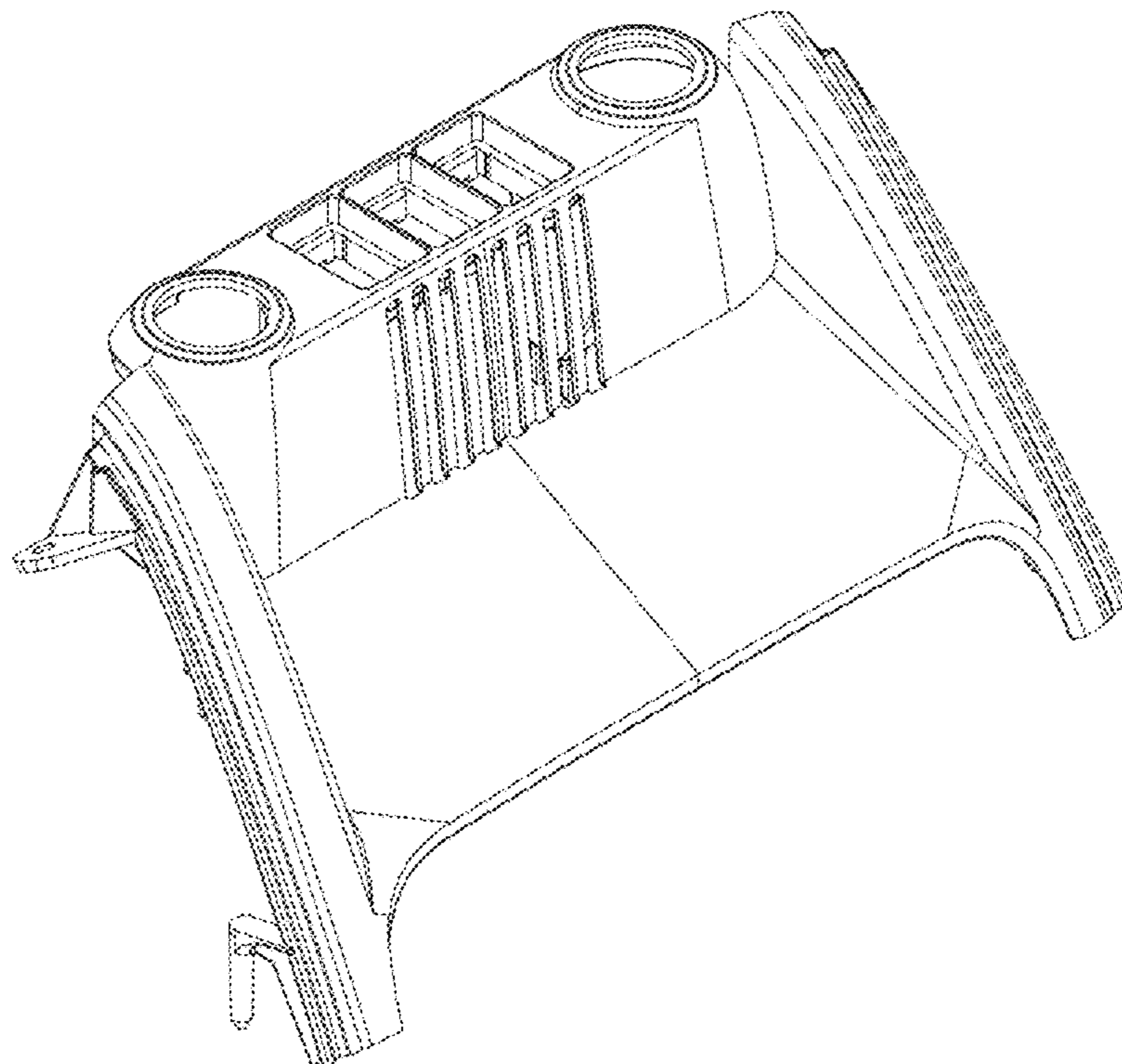
The ornamental design for a motor vehicle fascia, as shown and described.

**DESCRIPTION**

FIG. 1 is an isometric view of a motor vehicle fascia;  
FIG. 2 is a side elevational view, the opposite side being a  
minor image thereof;  
FIG. 3 is a front elevational view;  
FIG. 4 is a top plan view; and,  
FIG. 5 is a bottom plan view.  
The broken lines in the figures depict portions of the  
invention that form no part of the claimed design.

**1 Claim, 5 Drawing Sheets**

- (56) **References Cited**  
U.S. PATENT DOCUMENTS
- D389,109 S \* 1/1998 Stollery ..... D12/173
- D464,087 S \* 10/2002 Wu ..... D21/433
- D605,977 S \* 12/2009 Zipfel ..... D12/91
- D718,685 S \* 12/2014 Howell ..... D12/173
- D734,689 S \* 7/2015 Hashimoto ..... D12/14



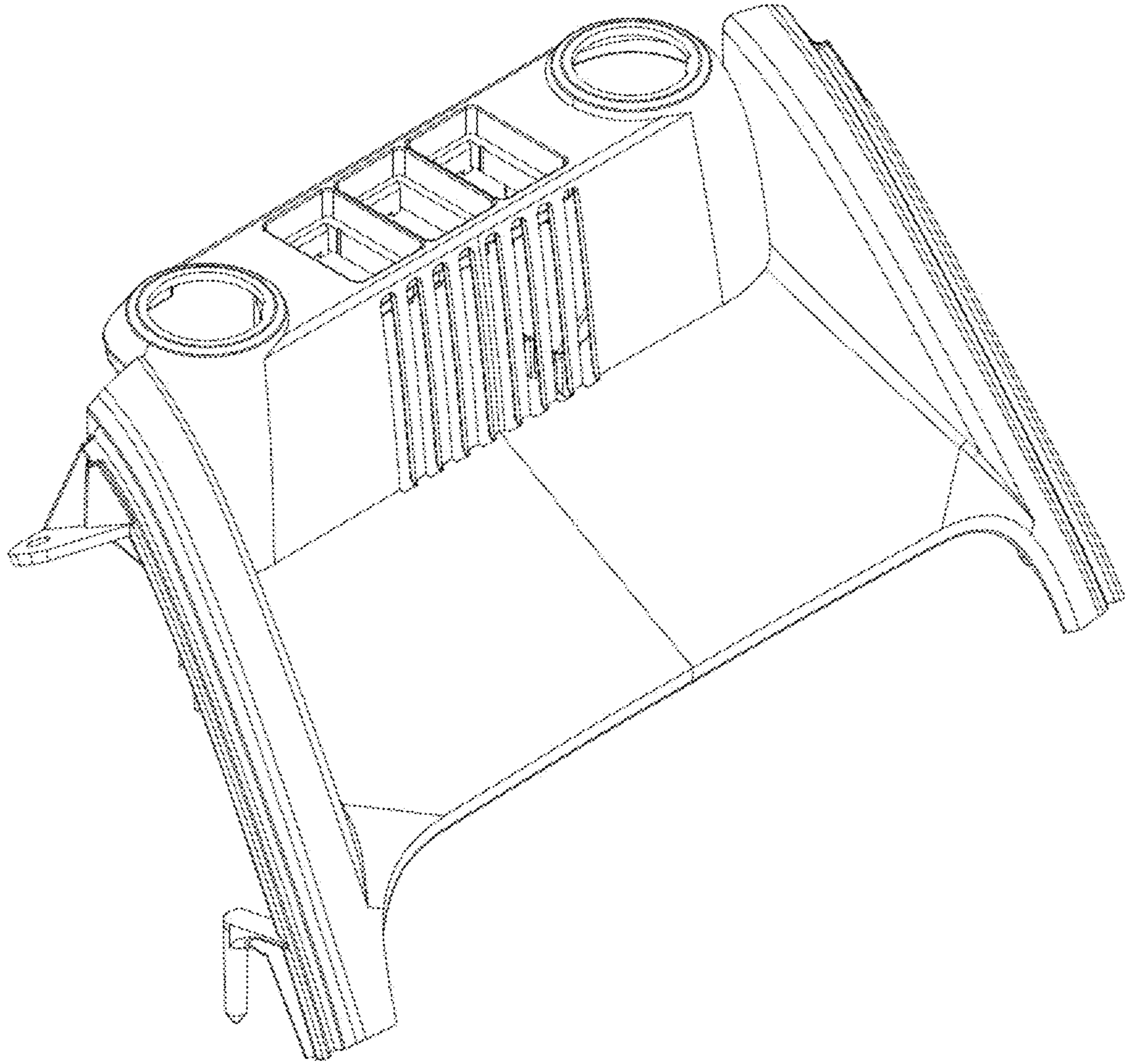


Figure 1

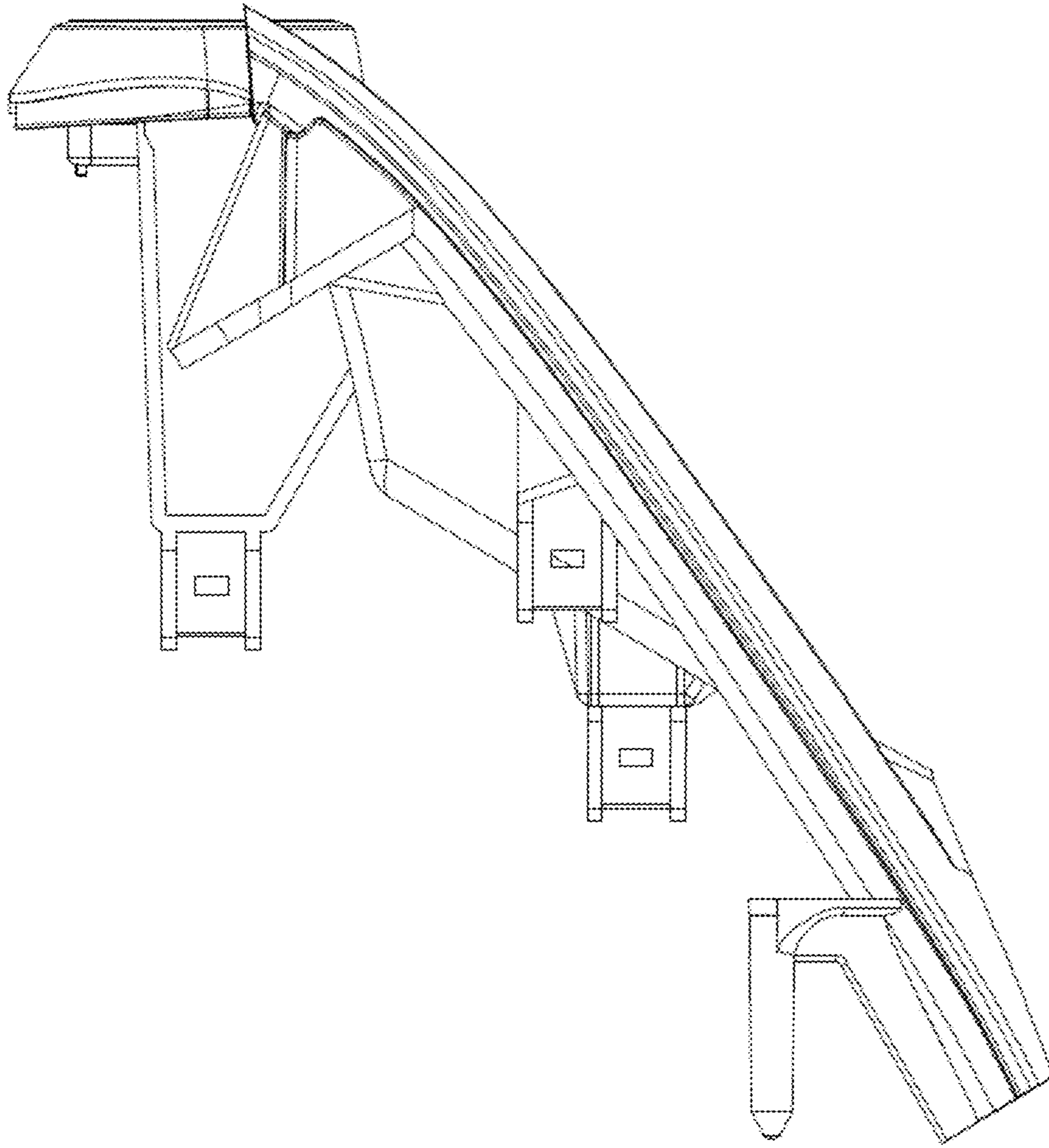


Figure 2

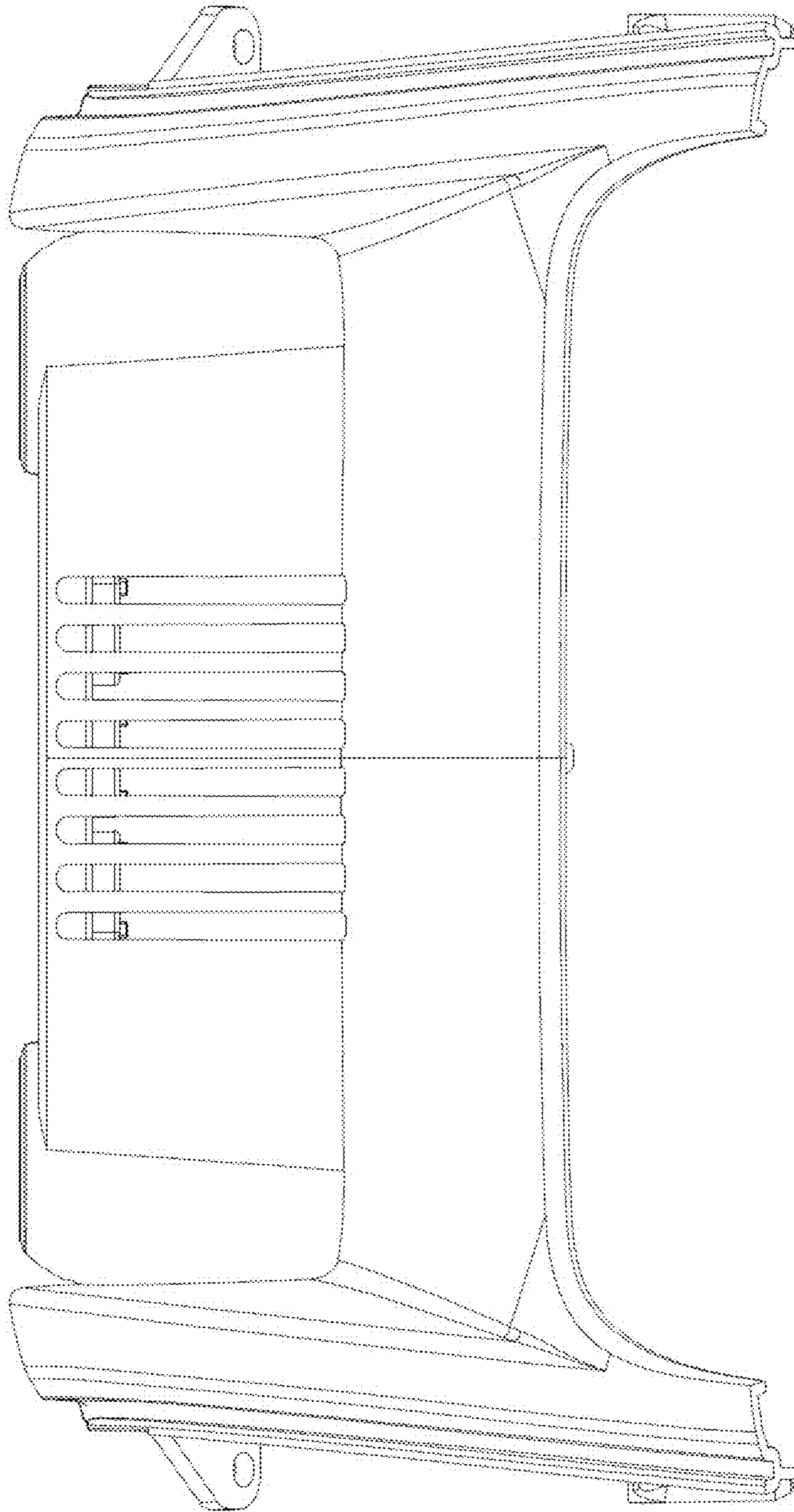


Figure 3

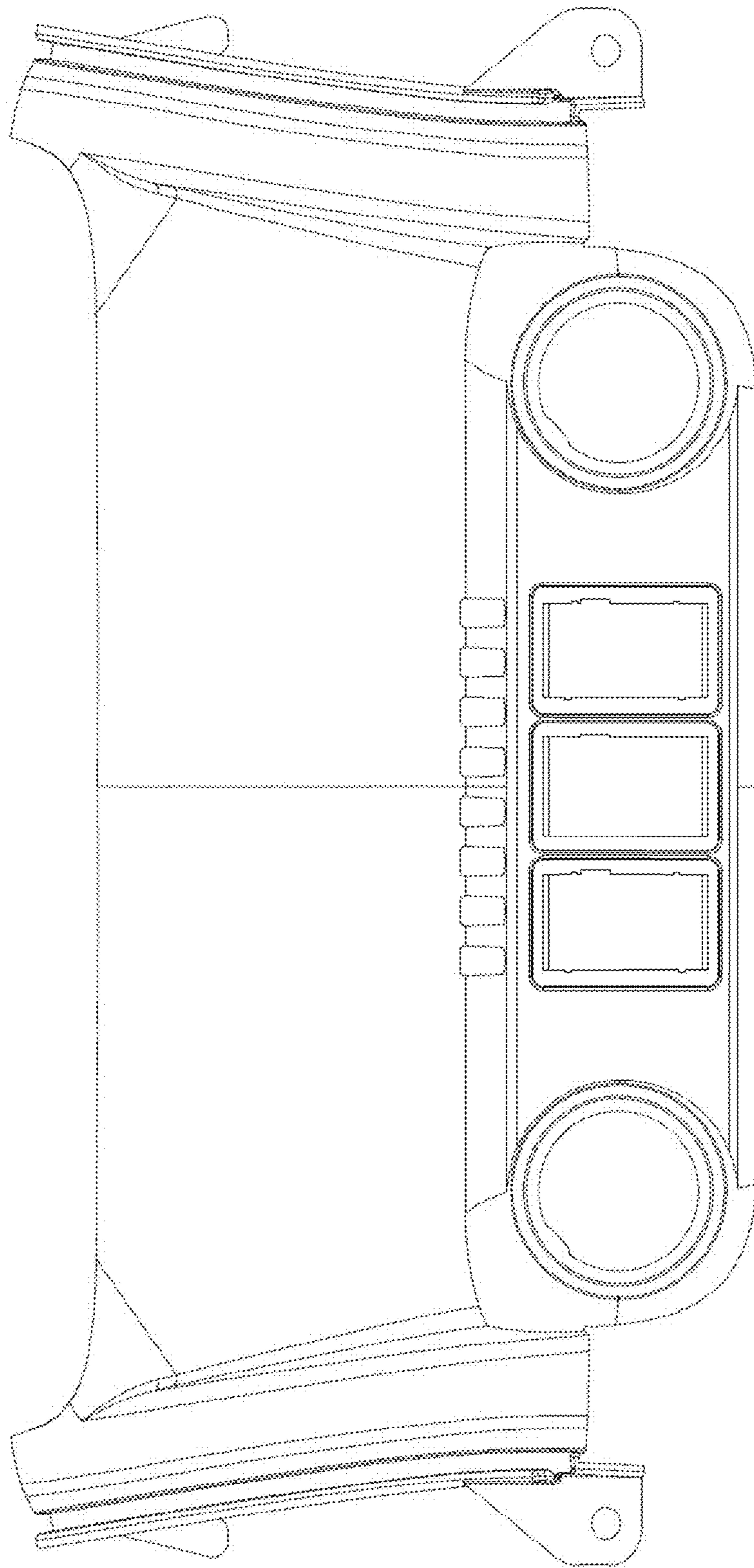


Figure 4

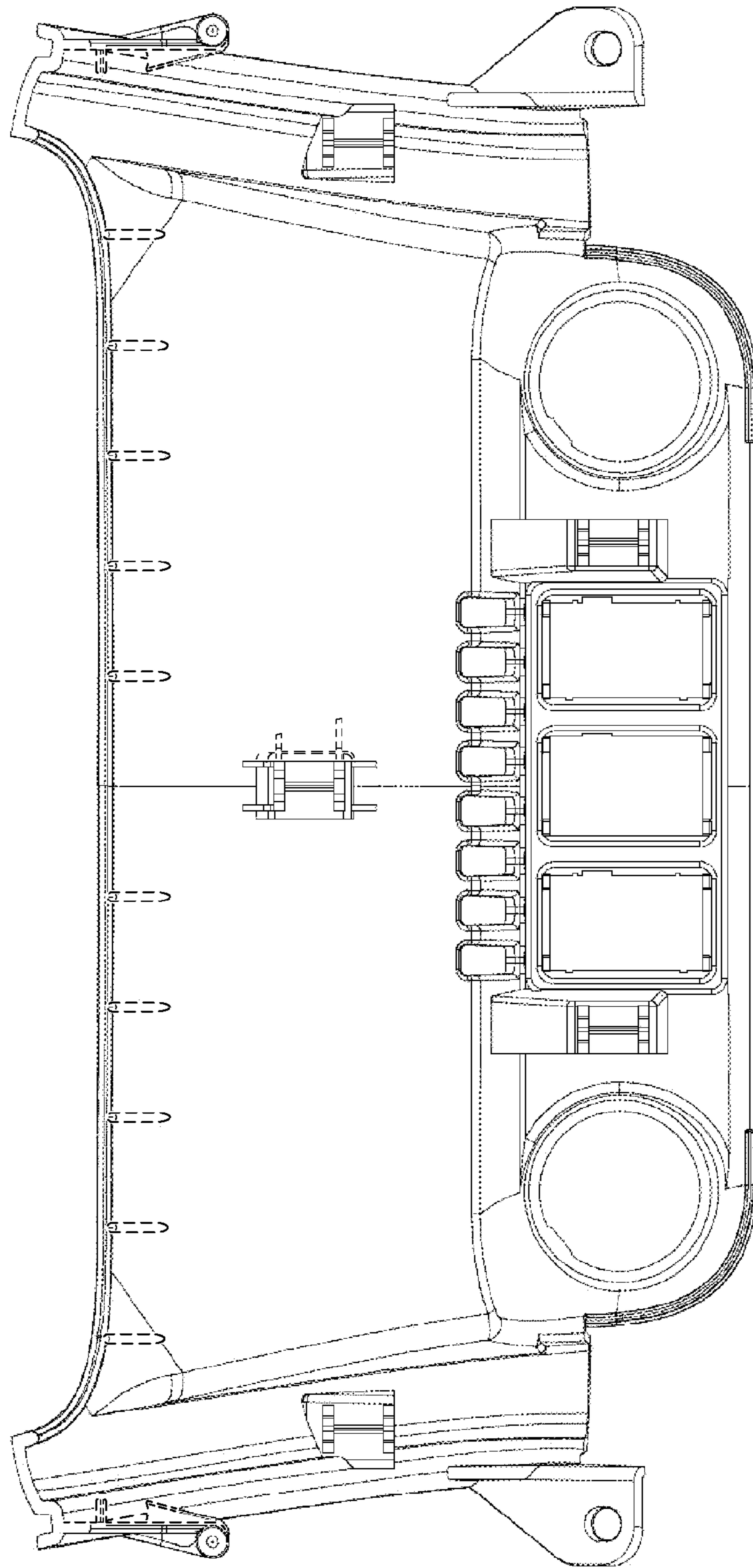


Figure 5