

US00D894067S

(12) **United States Design Patent** (10) **Patent No.:** **US D894,067 S**
Pereira et al. (45) **Date of Patent:** **** Aug. 25, 2020**

(54) **ROOF FAIRING**

(71) Applicant: **SABIC Global Technologies B.V.**,
Bergen op Zoom (NL)

(72) Inventors: **Carlos Pereira**, Selkirk, NY (US); **Max Ulysses Morton**, Averill Park, NY (US); **Matthew Douglas Marks**, White Lake, MI (US)

(73) Assignee: **SABIC Global Technologies B.V.**,
Bergen op Zoom (NL)

(**) Term: **15 Years**

(21) Appl. No.: **29/581,069**

(22) Filed: **Oct. 14, 2016**

(51) **LOC (12) Cl.** **12-16**

(52) **U.S. Cl.**
USPC **D12/181**

(58) **Field of Classification Search**
USPC D12/162, 163, 164, 168, 169, 170, 171,
D12/173, 181, 183, 184, 187, 190, 191,
D12/196, 400

(Continued)

(56) **References Cited**

U.S. PATENT DOCUMENTS

4,611,796 A * 9/1986 Orr B60T 1/16
180/903

D314,163 S * 1/1991 Harris D12/181

(Continued)

FOREIGN PATENT DOCUMENTS

GB 2529675 A 3/2016

JP S5739881 U 3/1982

(Continued)

OTHER PUBLICATIONS

International Patent Application No. PCT/US2017/056613; Int'l Search Report and the Written Opinion; dated Jan. 25, 2018; 13 pages.

(Continued)

Primary Examiner — Susan E Krakower

Assistant Examiner — Jerry Shiuan-Hua Hsu

(74) *Attorney, Agent, or Firm* — BakerHostetler

(57) **CLAIM**

The ornamental design for a roof fairing, as shown and described.

DESCRIPTION

FIG. 1 is a top, front, and left side perspective view of a roof fairing according to our new design;

FIG. 2 is a right side elevation view thereof;

FIG. 3 is a left side elevation view thereof;

FIG. 4 is a front elevation view thereof;

FIG. 5 is a rear elevation view thereof;

FIG. 6 is a top plan view thereof;

FIG. 7 is a bottom plan view thereof;

FIG. 8 is a top, front, left perspective view of the roof fairing in FIG. 1 showing a right panel in an outer position and a left panel in an inner position;

FIG. 9 is a top, front, right perspective view of the roof fairing in FIG. 1 showing a right panel in a neutral position and a left panel in an inner position;

FIG. 10 is a top, front, left perspective view of the roof fairing in FIG. 1 showing a right panel in an inner position and a left panel in an inner position;

FIG. 11 is a top, front, left perspective view of the roof fairing in FIG. 1 showing a right panel in an outer position and a left panel in a neutral position;

FIG. 12 is a top, front, left perspective view of the roof fairing in FIG. 1 showing a right panel in an inner position and a left panel in a neutral position;

FIG. 13 is a top, front, left perspective view of the roof fairing in FIG. 1 showing a right panel in an outer position and a left panel in an outer position;

FIG. 14 is a top, front, right perspective view of the roof fairing in FIG. 1 showing a right panel in a neutral position and a left panel in an outer position;

FIG. 15 is a top, front, left perspective view of the roof fairing in FIG. 1 showing a right panel in an inner position and a left panel in an outer position;

(Continued)

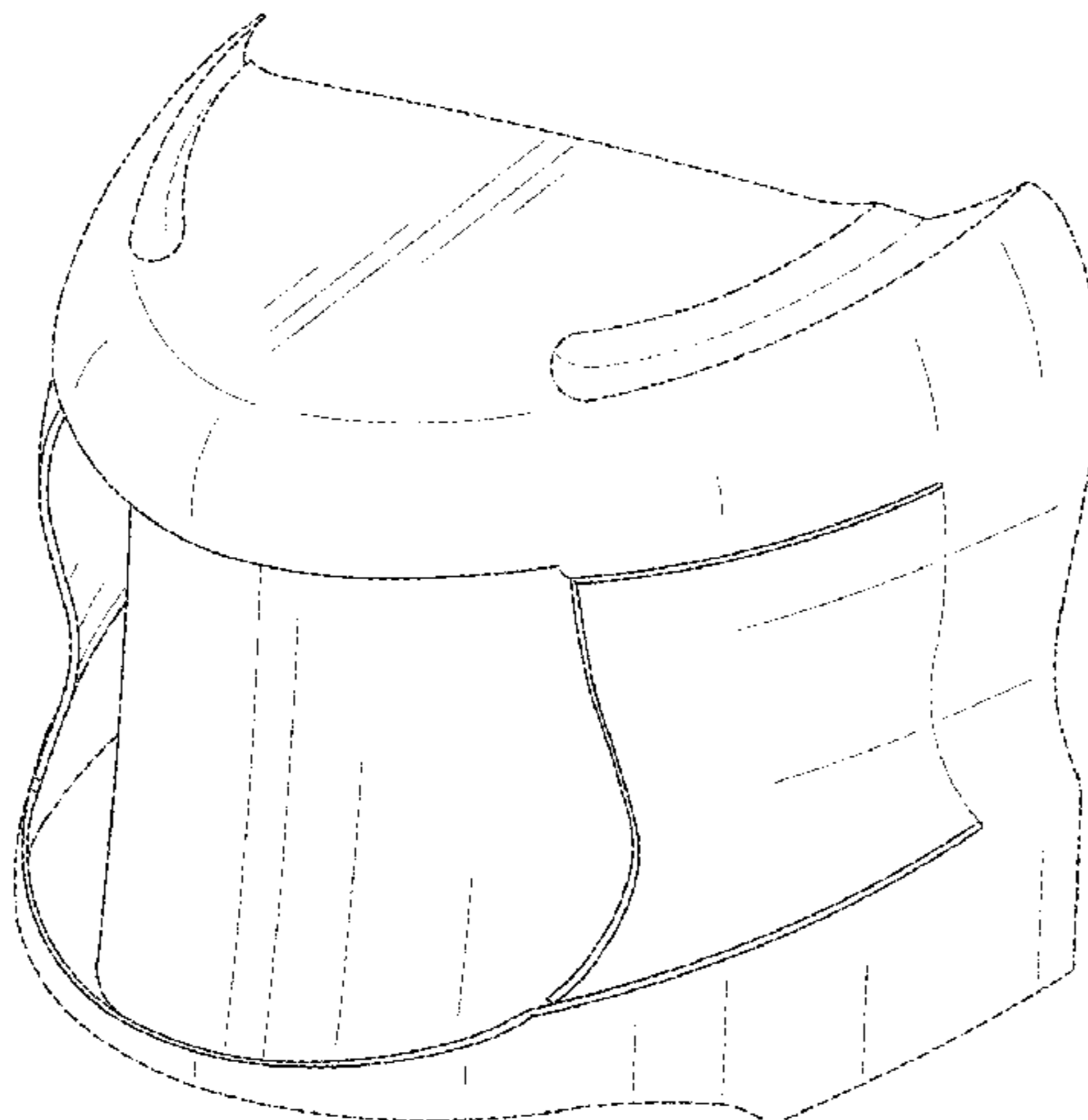


FIG. 16 is a front elevation view the roof fairing in FIG. 1 showing a right panel in an inner position and a left panel in an outer position;

FIG. 17 is a front elevation view the roof fairing in FIG. 1 showing a right panel in an inner position and a left panel in a neutral position;

FIG. 18 is a front elevation view the roof fairing in FIG. 1 showing a right panel in an inner position and a left panel in an inner position;

FIG. 19 is a front elevation view the roof fairing in FIG. 1 showing a right panel in a neutral position and a left panel in an outer position;

FIG. 20 is a front elevation view the roof fairing in FIG. 1 showing a right panel in an neutral position and a left panel in an outer position;

FIG. 21 is a front elevation view the roof fairing in FIG. 1 showing a right panel in an outer position and a left panel in an outer position;

FIG. 22 is a front elevation view the roof fairing in FIG. 1 showing a right panel in an outer position and a left panel in a neutral position; and,

FIG. 23 is a front elevation view the roof fairing in FIG. 1 showing a right panel in an outer position and a left panel in an inner position.

The broken lines illustrate portions of the roof fairing that form no part of the claimed design.

1 Claim, 13 Drawing Sheets

(58) **Field of Classification Search**
 CPC B60T 1/16; B62D 35/001
 See application file for complete search history.

(56)

References Cited

U.S. PATENT DOCUMENTS

D329,214	S	*	9/1992	Marlowe	D12/96
5,340,190	A		8/1994	Engel		
5,522,637	A		6/1996	Spears		
5,536,062	A		7/1996	Spears		
D384,914	S	*	10/1997	Bingaman	D12/97
6,099,069	A	*	8/2000	Spears	B60T 1/16 296/180.2
D465,749	S	*	11/2002	Beigel	D12/96
7,118,164	B2		10/2006	Frank et al.		
D595,628	S	*	7/2009	Boyd	D12/181
D666,541	S	*	9/2012	Stimel, Jr.	D12/181
D707,608	S	*	6/2014	Smith	D12/181
8,905,461	B2	*	12/2014	Laudet	B62D 35/001 180/903
D772,127	S	*	11/2016	Heilaneh	D12/181
D780,648	S	*	3/2017	Pereira	D12/181
D820,749	S	*	6/2018	Schellekens	D12/181
10,214,252	B2	*	2/2019	Schellekens	B62D 35/001
2011/0148142	A1	*	6/2011	Kint	B62D 35/001 296/180.4
2016/0229271	A1		8/2016	Dassen et al.		

FOREIGN PATENT DOCUMENTS

JP			S5795264	A		6/1982
JP			2001334962	A		12/2001
WO			2015030636	A1		3/2015
WO			2015052655	A1		4/2015
WO			2016001860	A1		1/2016
WO			2016077669	A1		5/2016
WO			2016098024	A1		6/2016

OTHER PUBLICATIONS

International Patent Application No. PCT/US2017/056613; Int'l Preliminary Report on Patentability; dated Apr. 25, 2019; 9 pages.

* cited by examiner

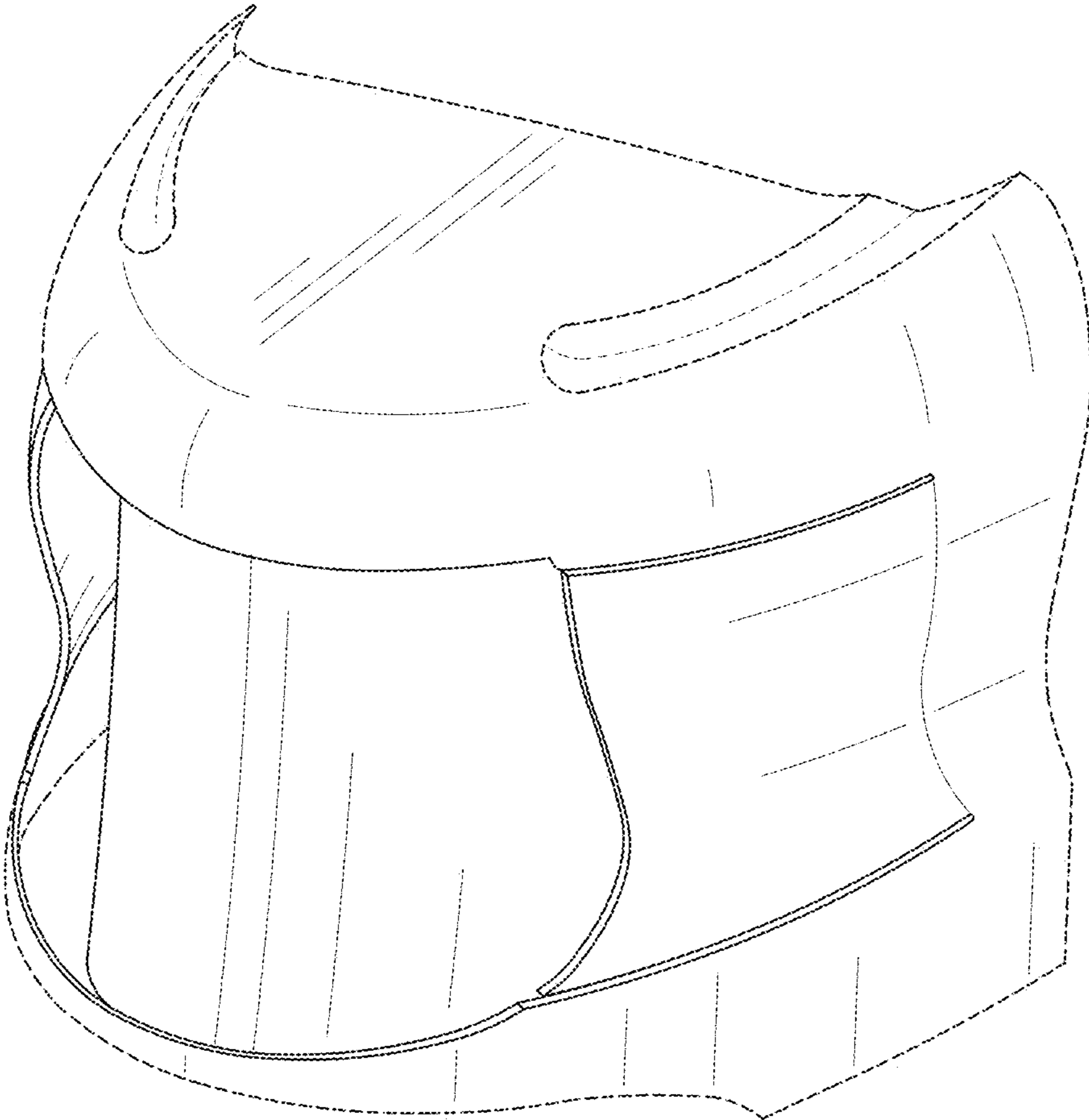


FIG. 1

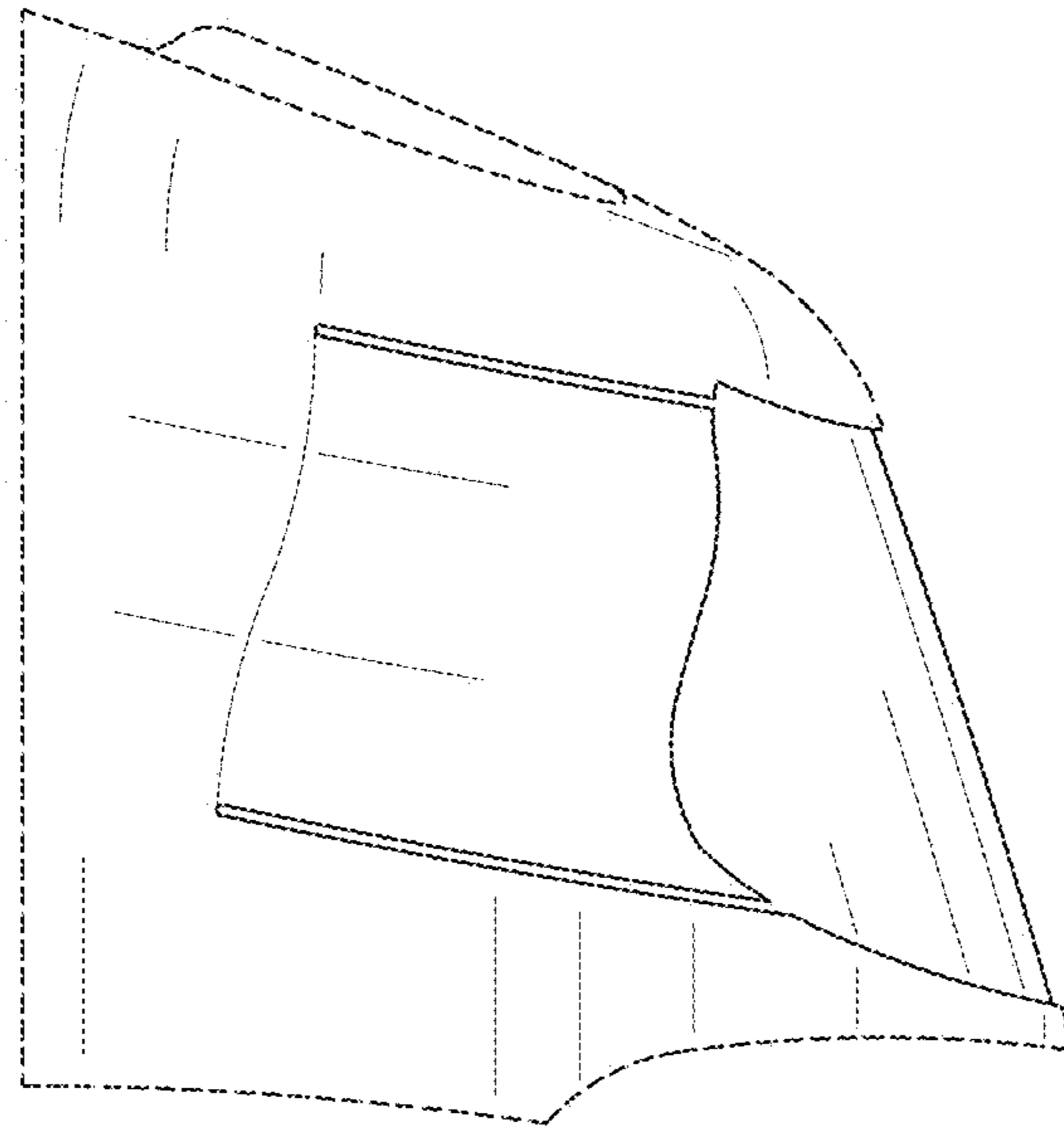


FIG. 2

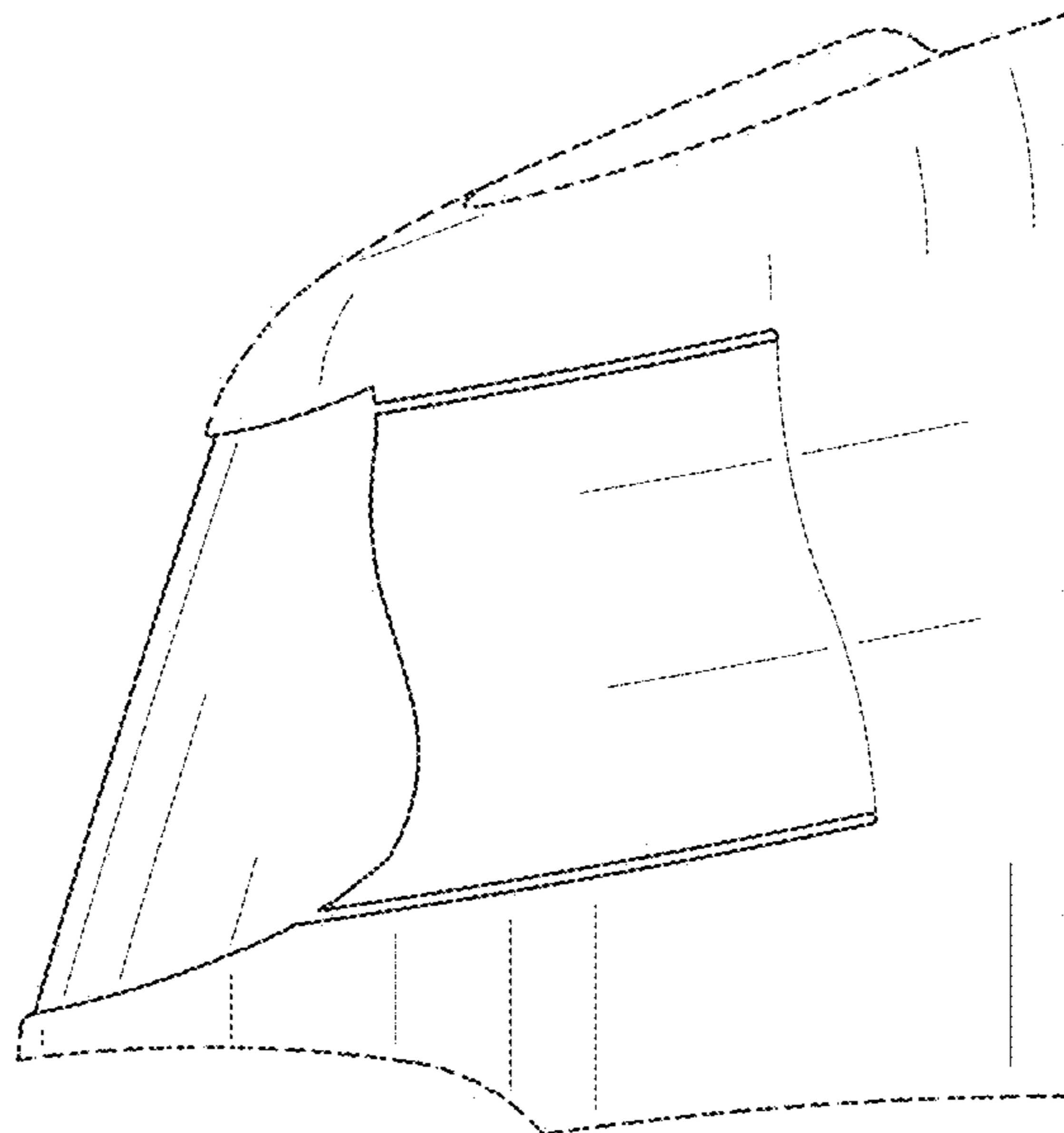


FIG. 3

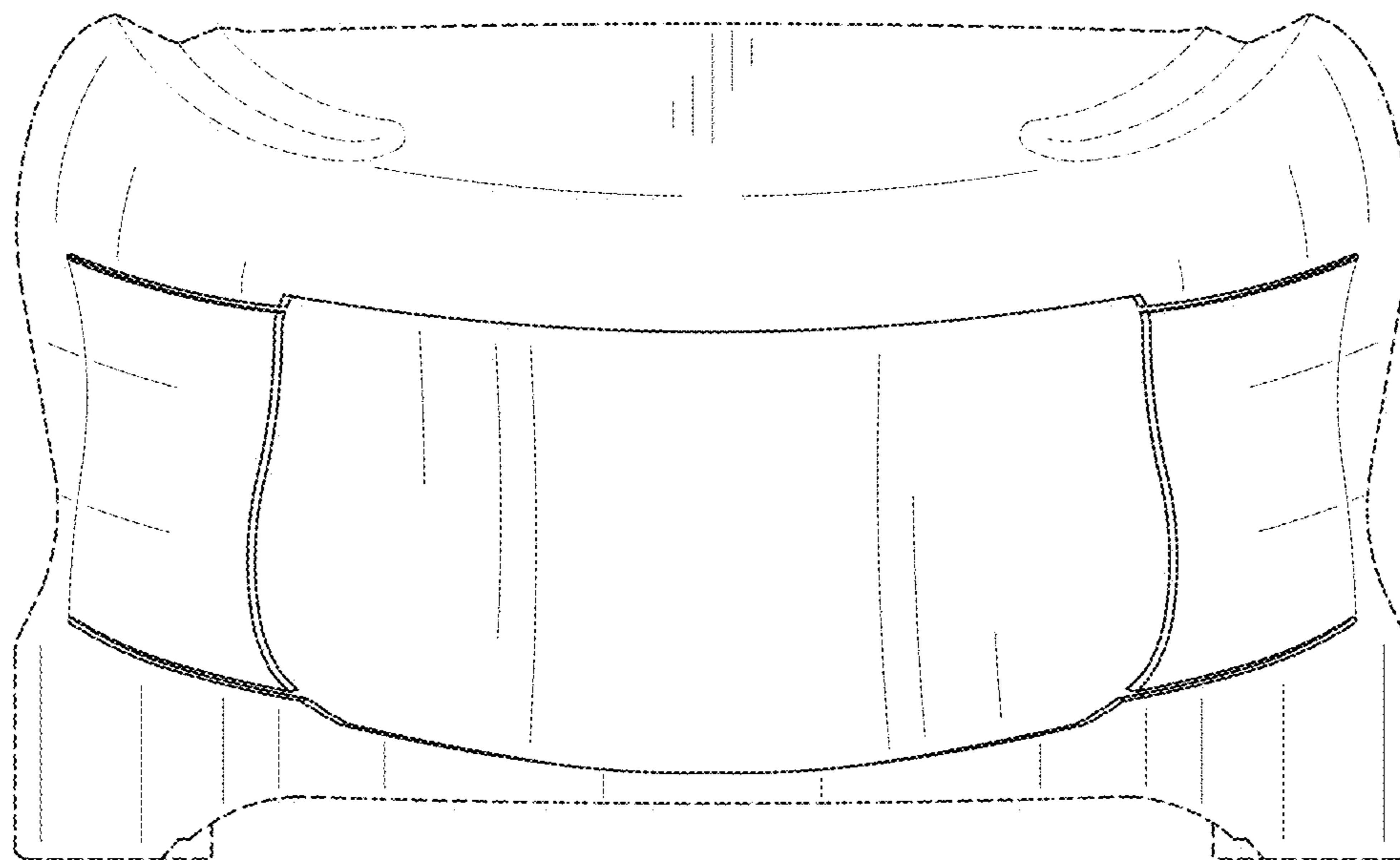


FIG. 4

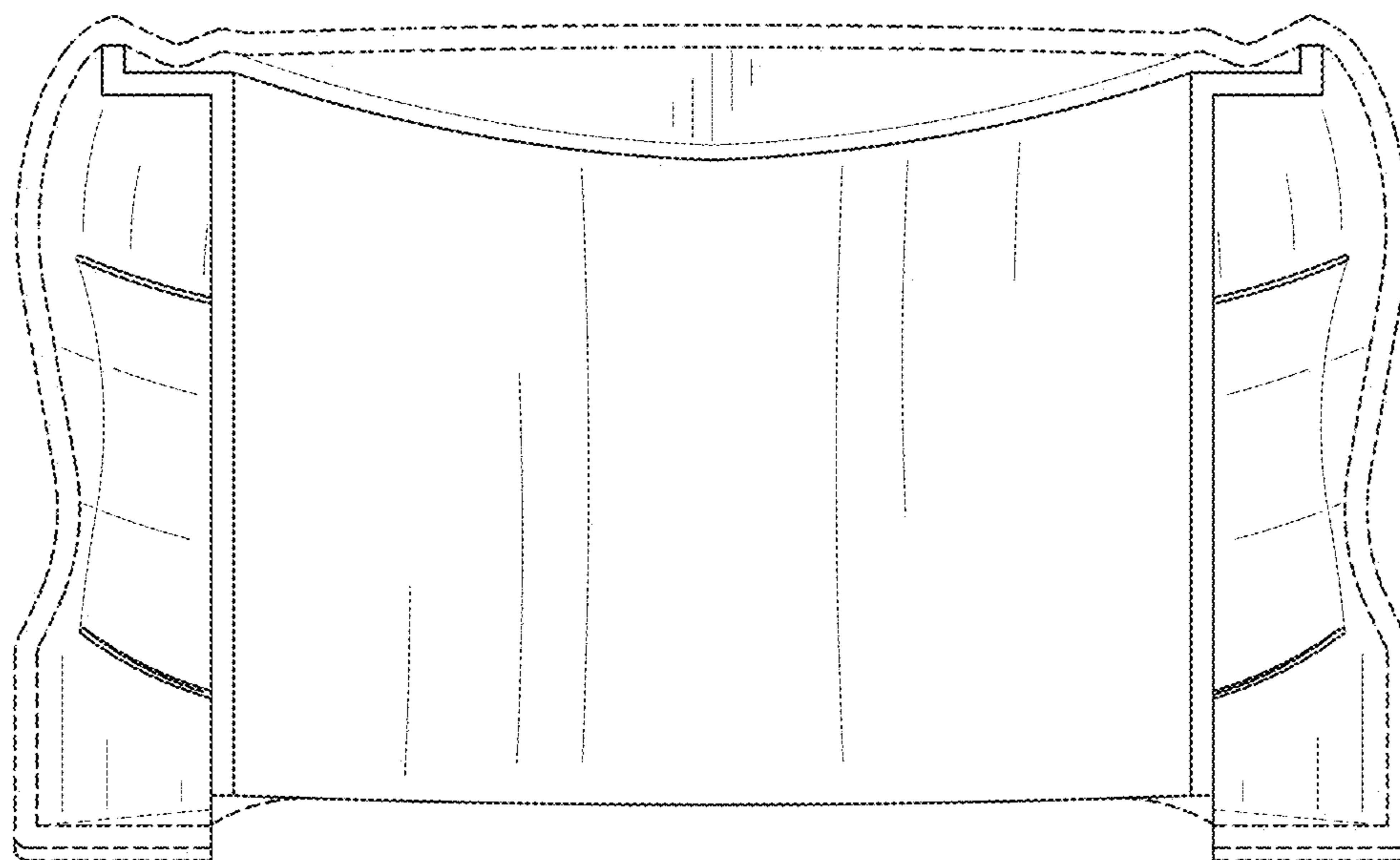


FIG. 5

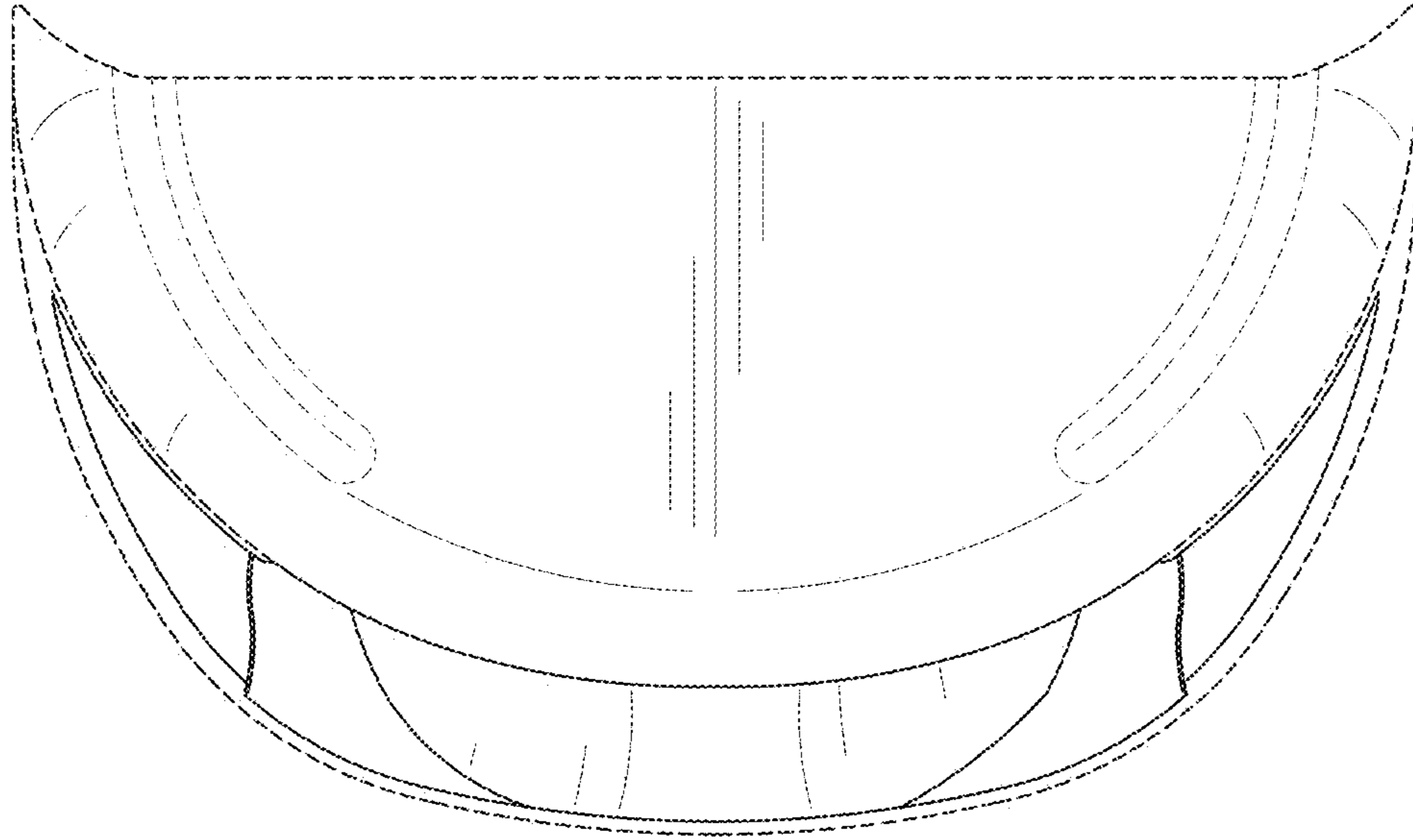


FIG. 6

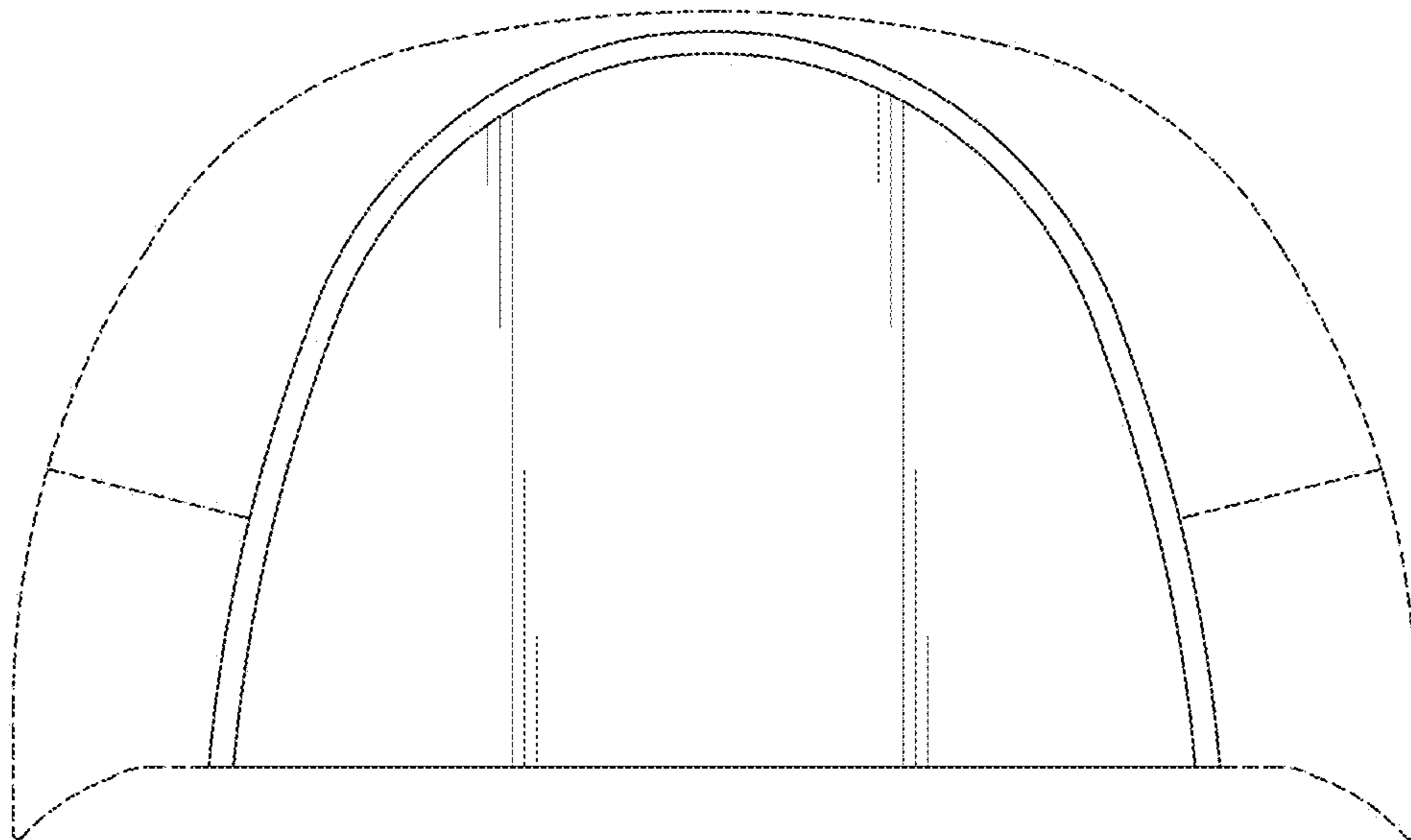


FIG. 7

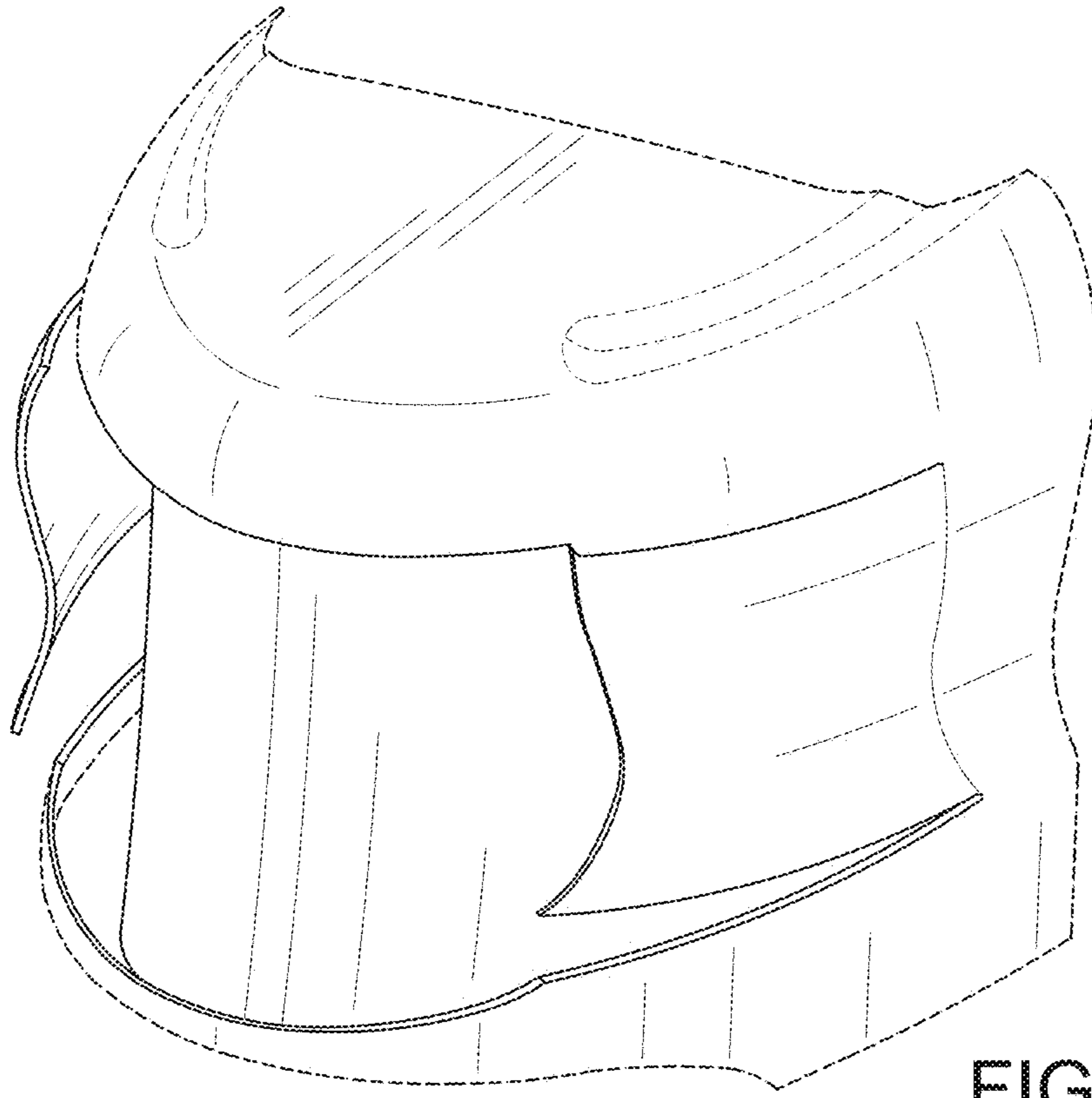


FIG. 8

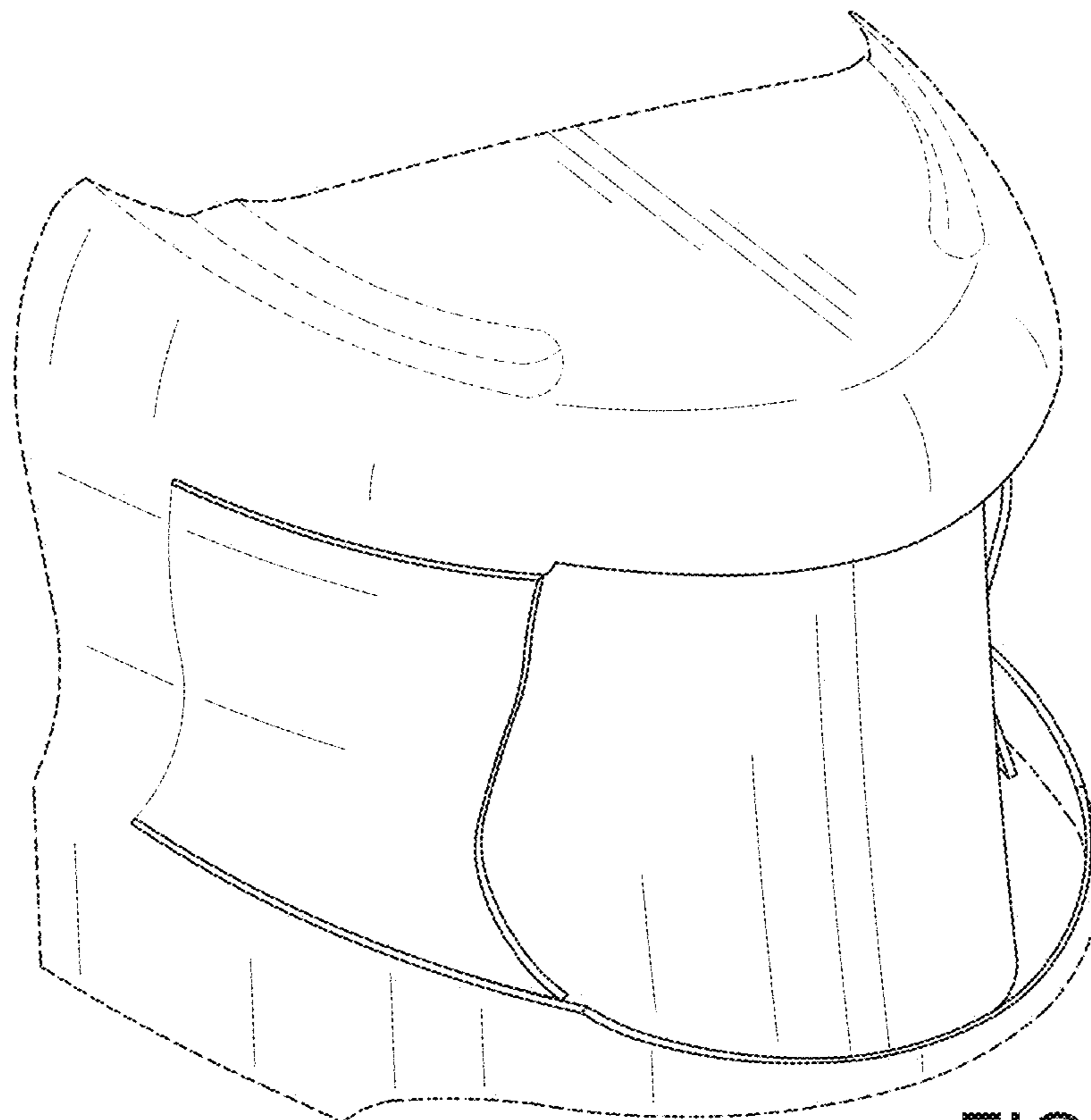


FIG. 9

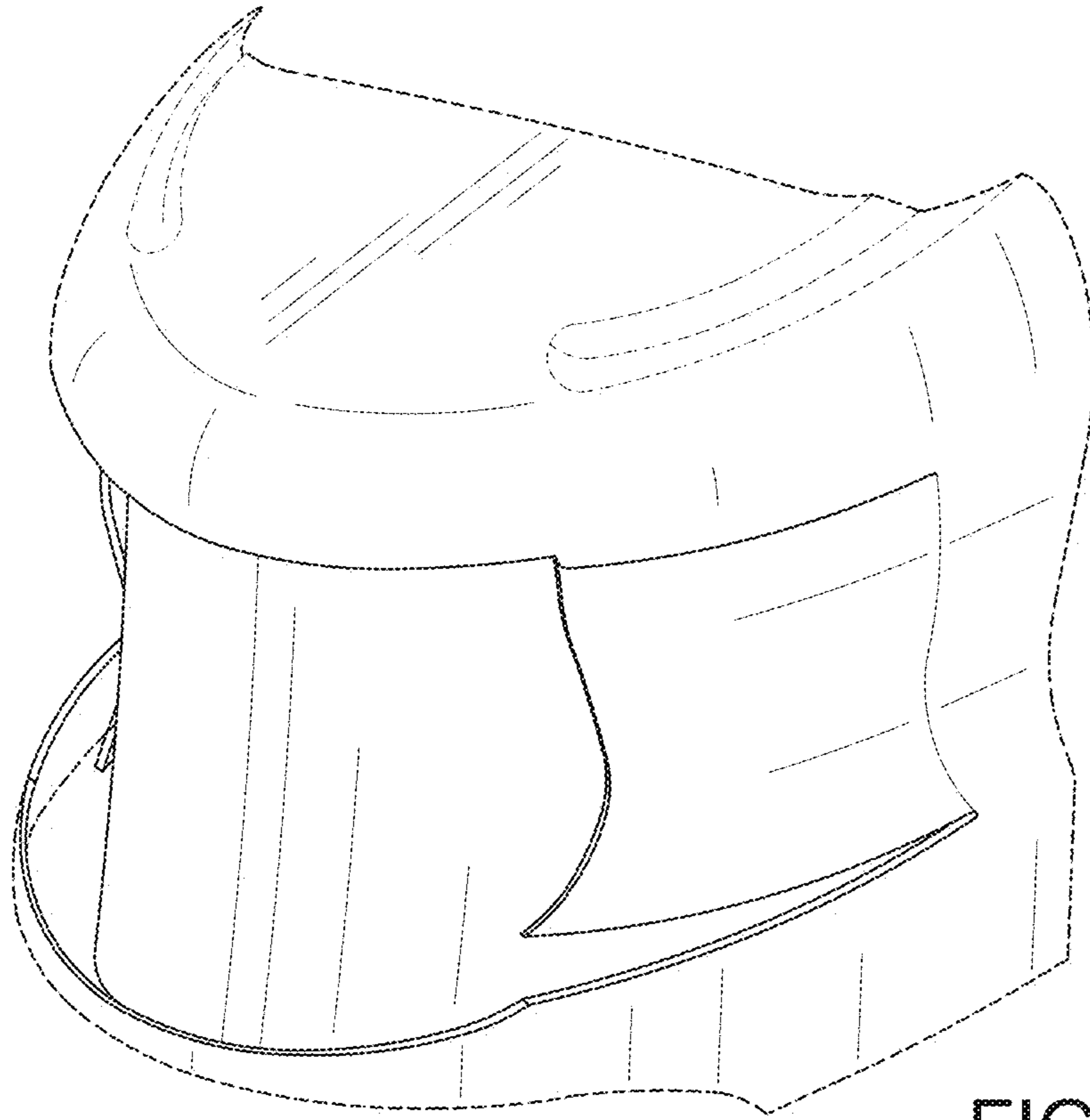


FIG. 10

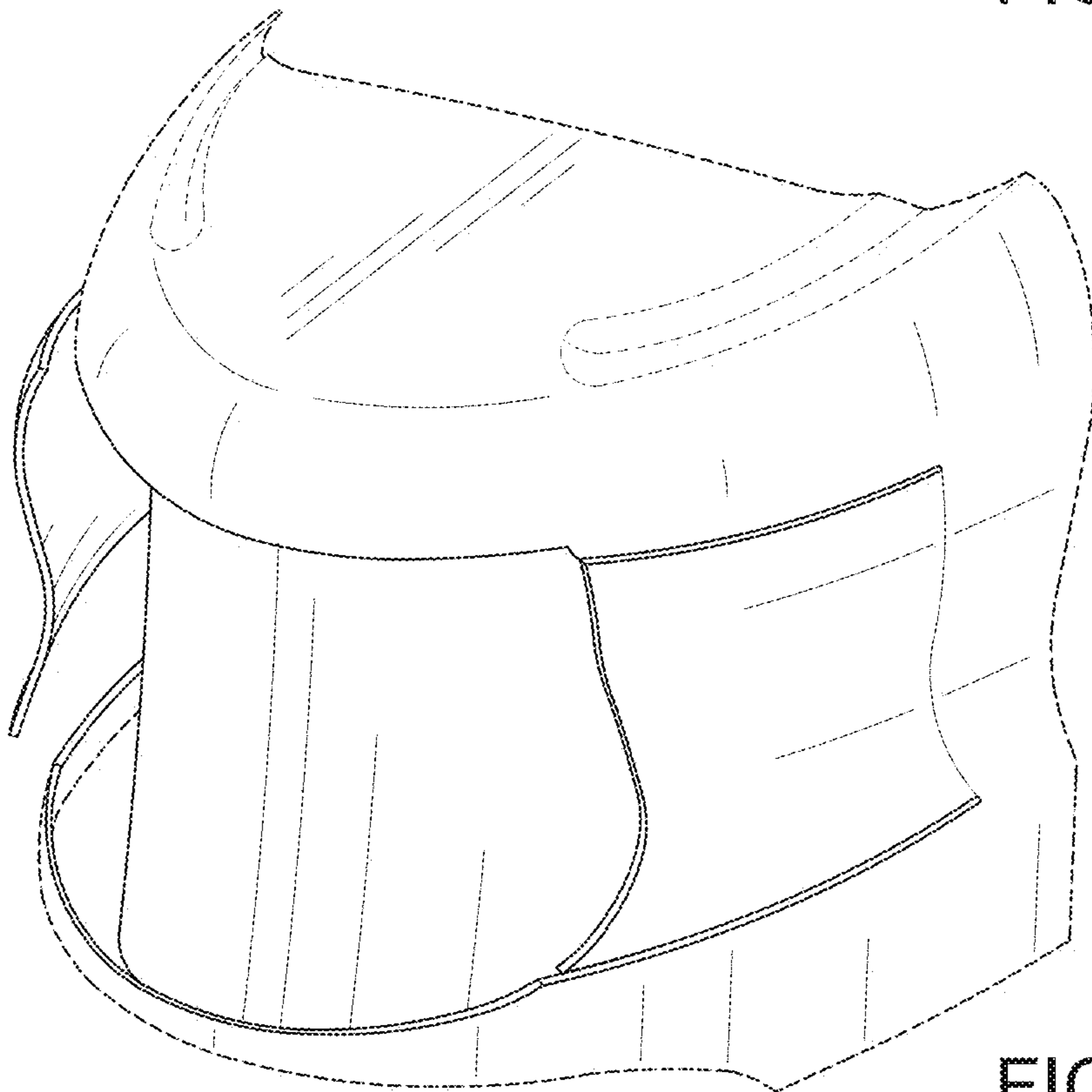


FIG. 11

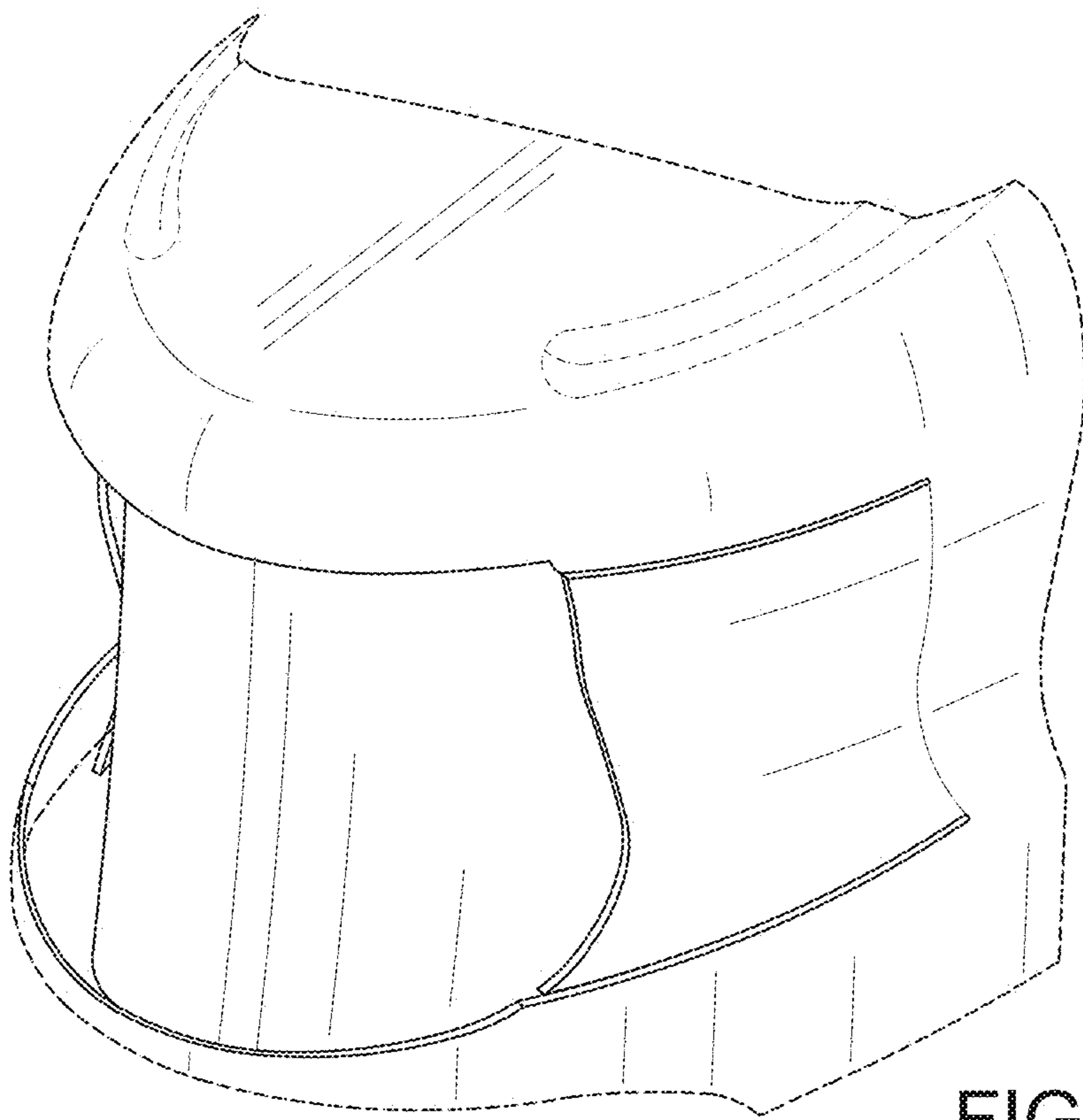


FIG. 12

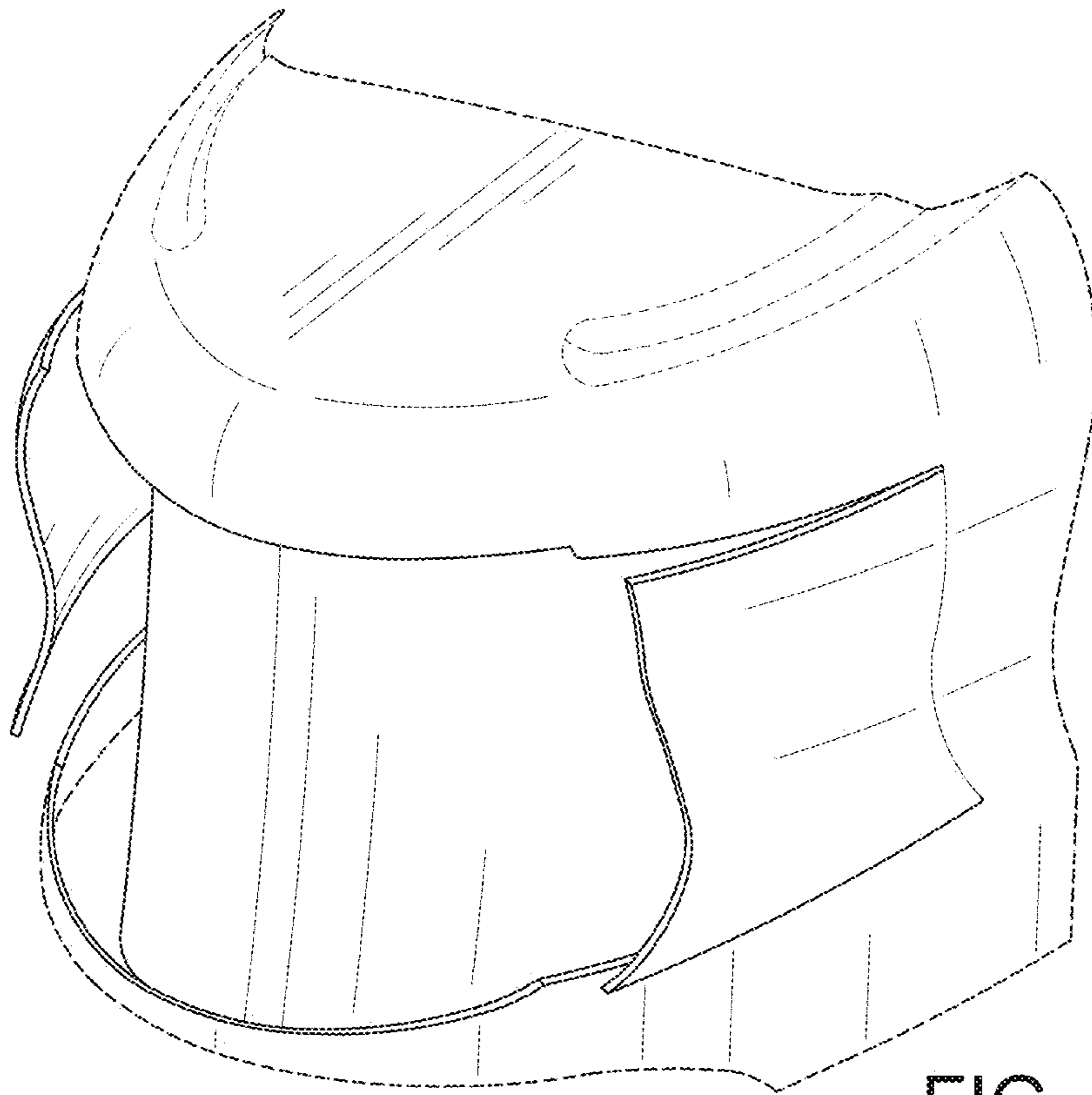


FIG. 13

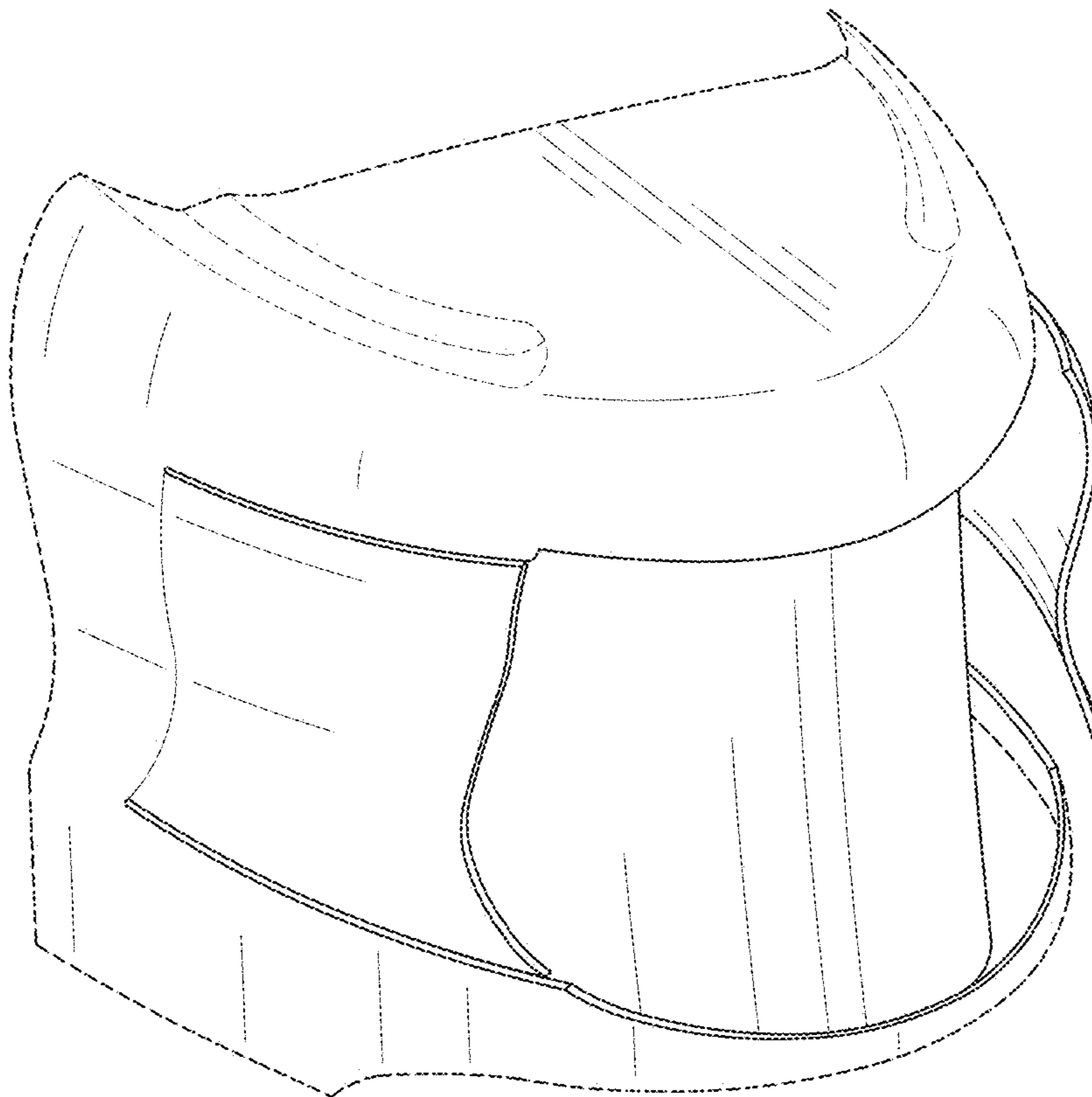


FIG. 14

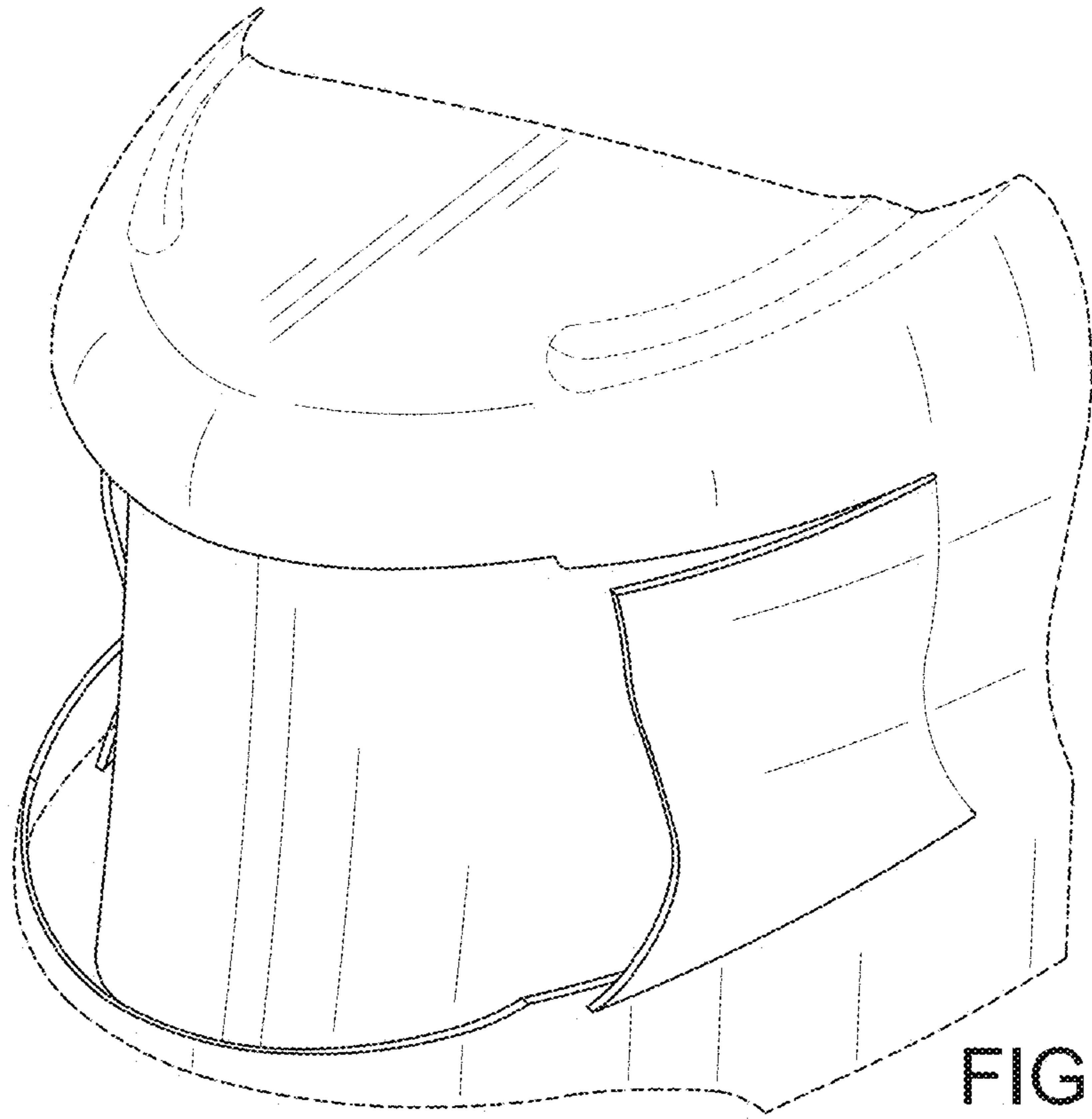


FIG. 15

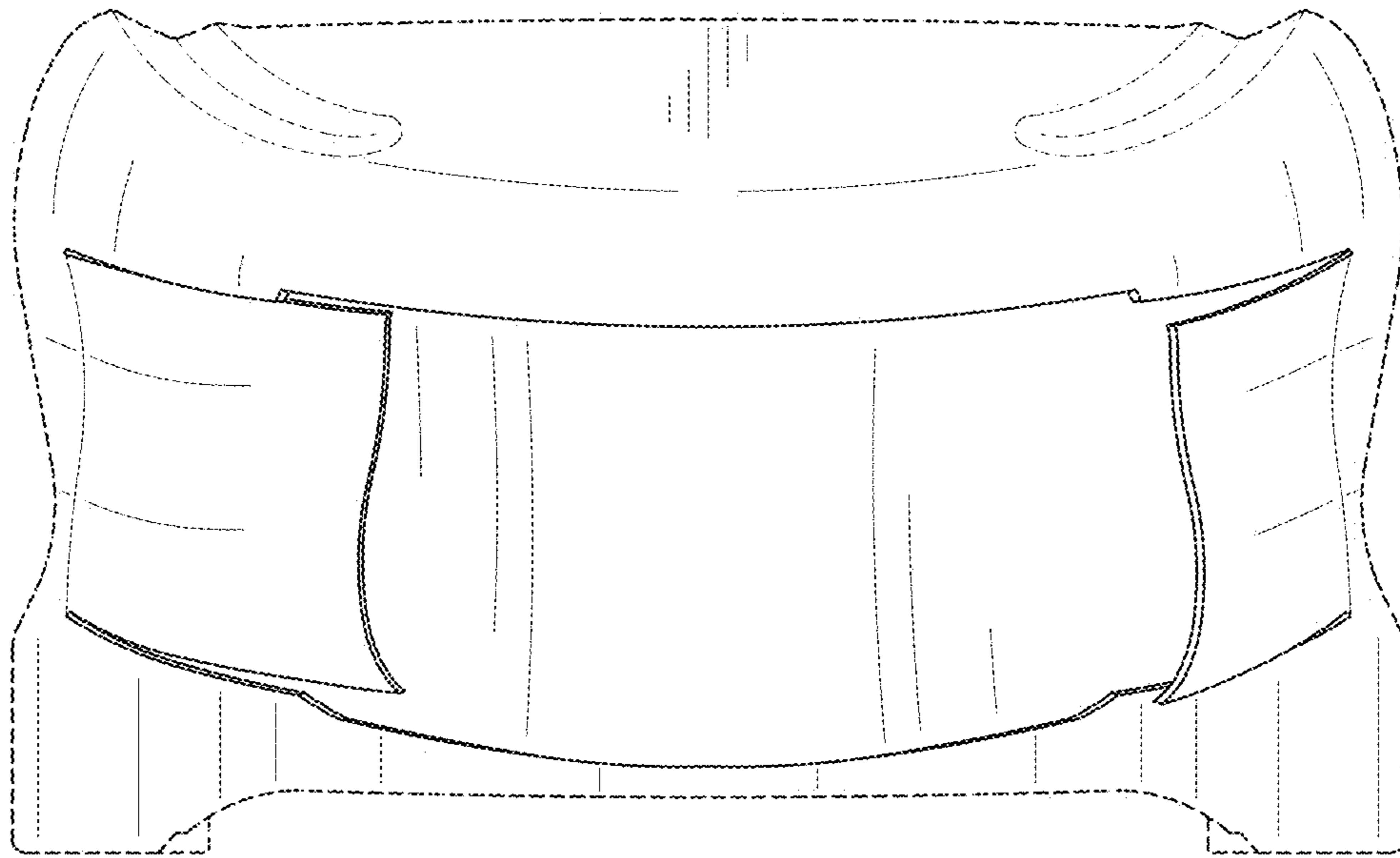


FIG. 16

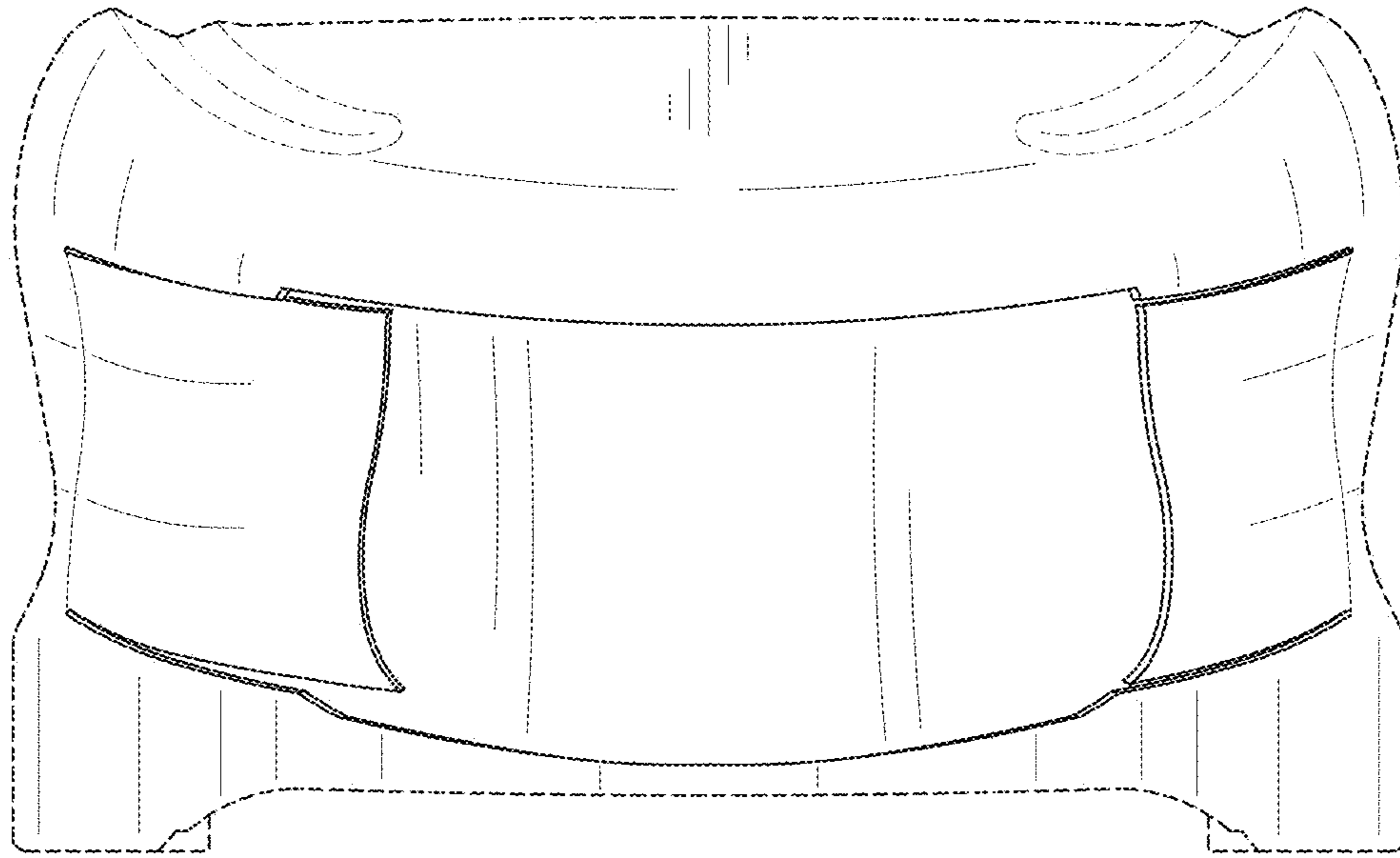


FIG. 17

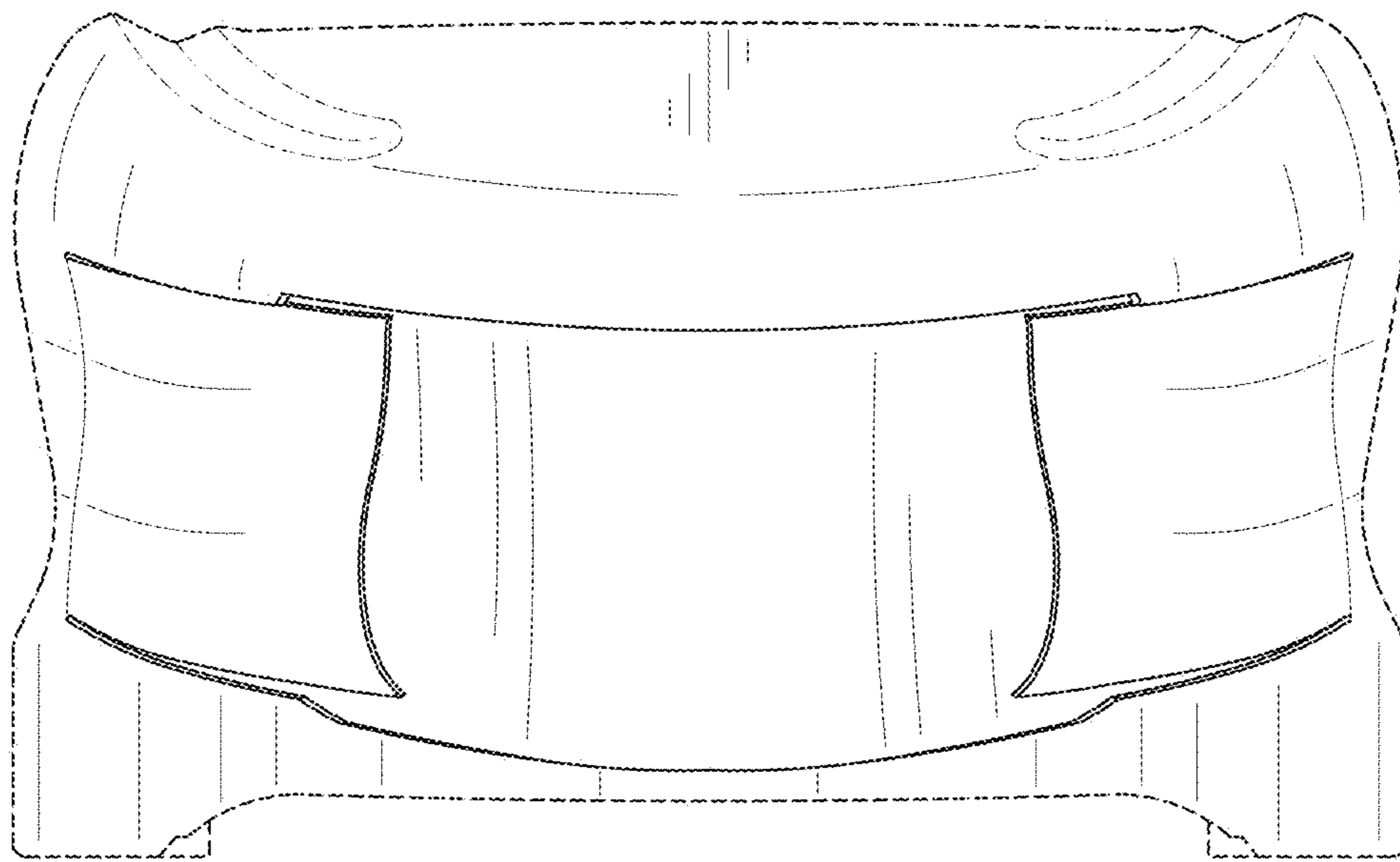


FIG. 18

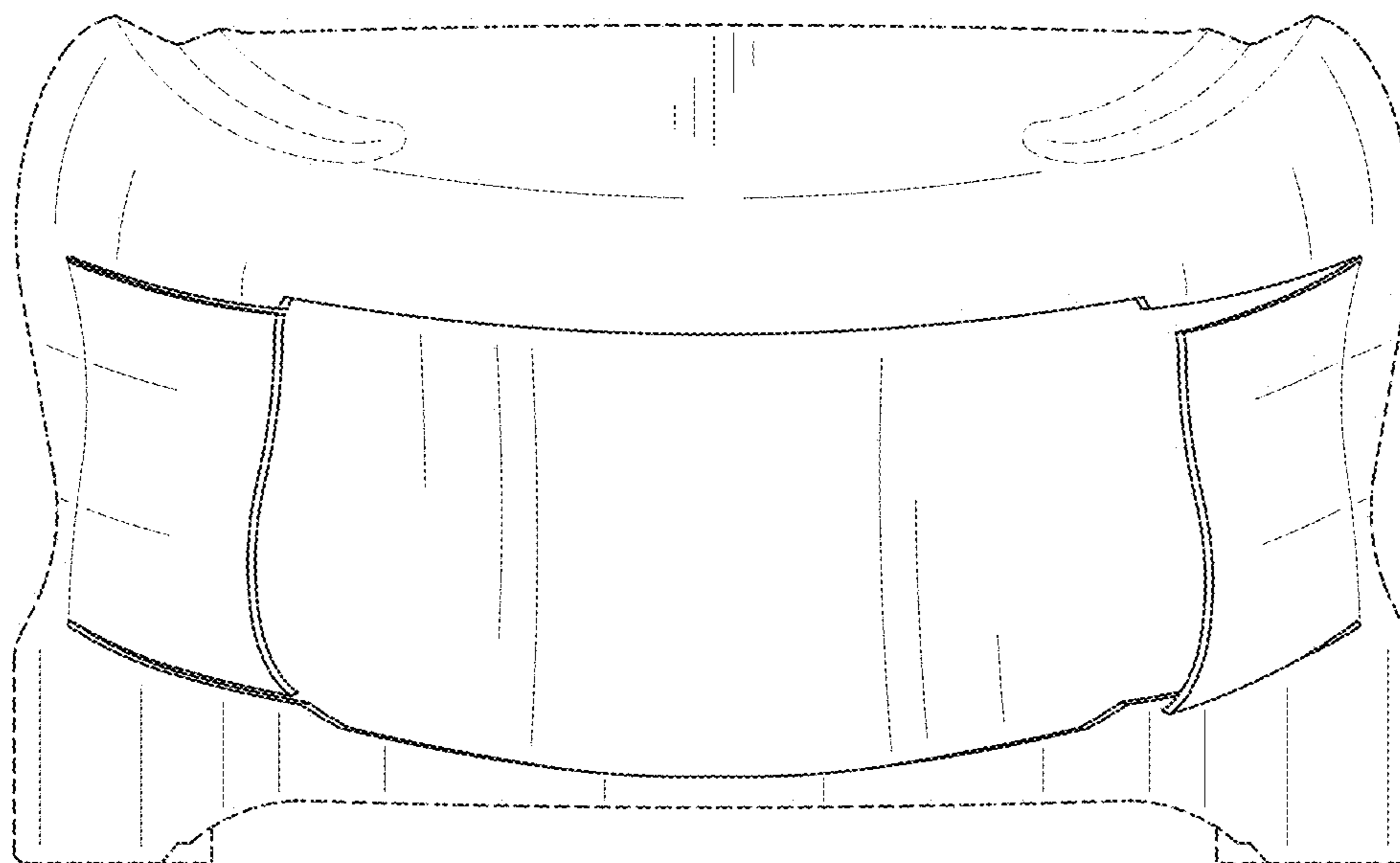


FIG. 19

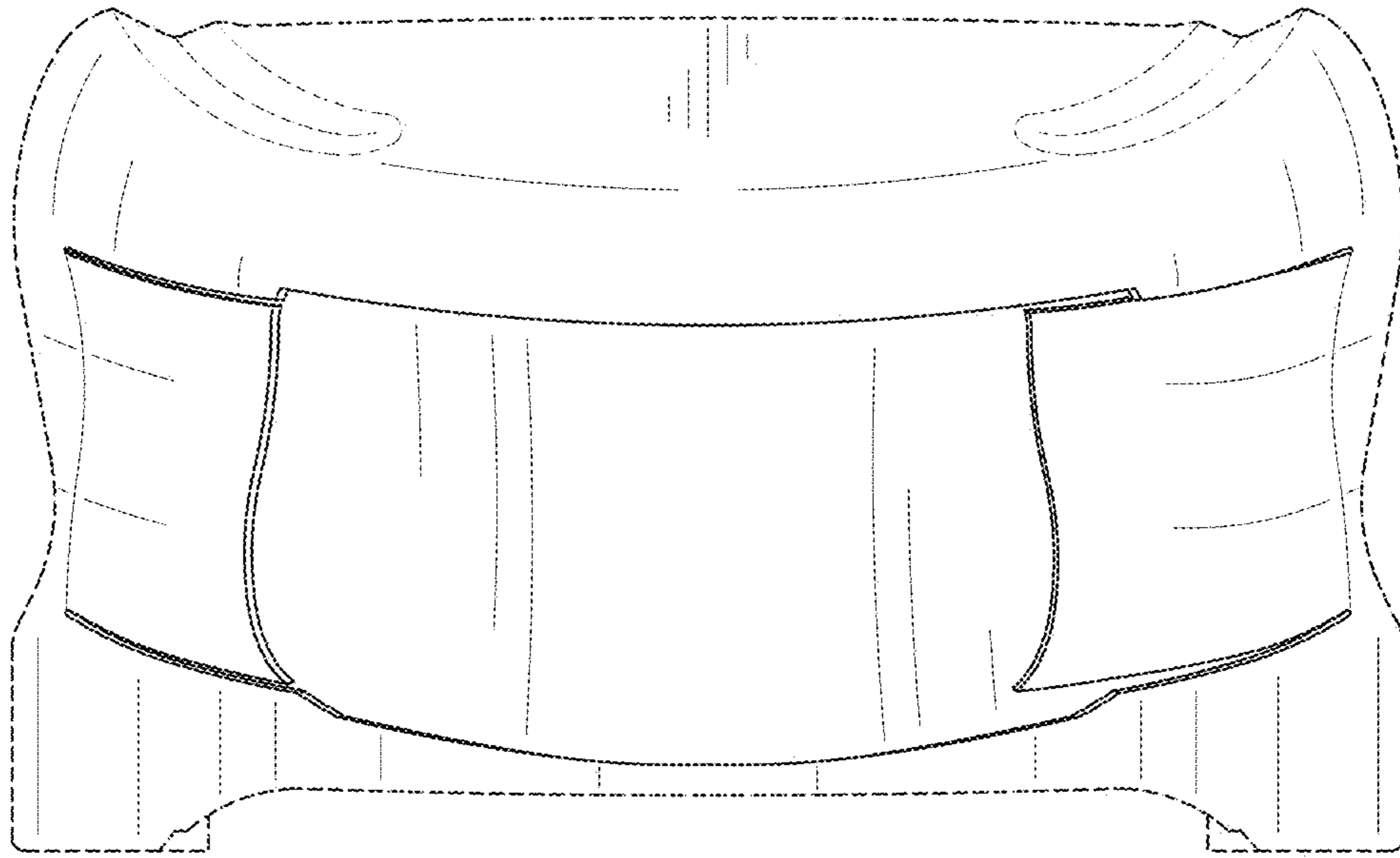


FIG. 20

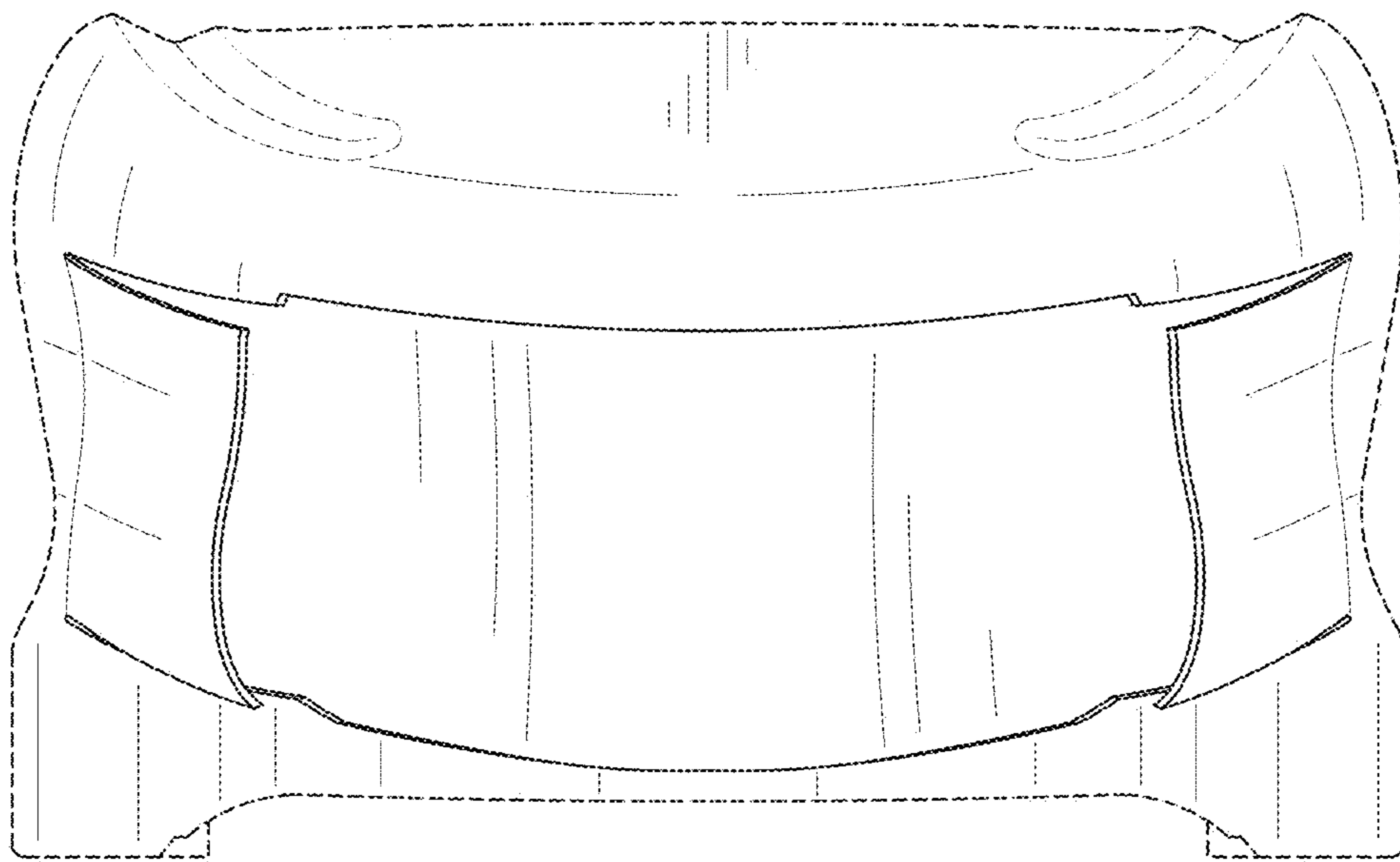


FIG. 21

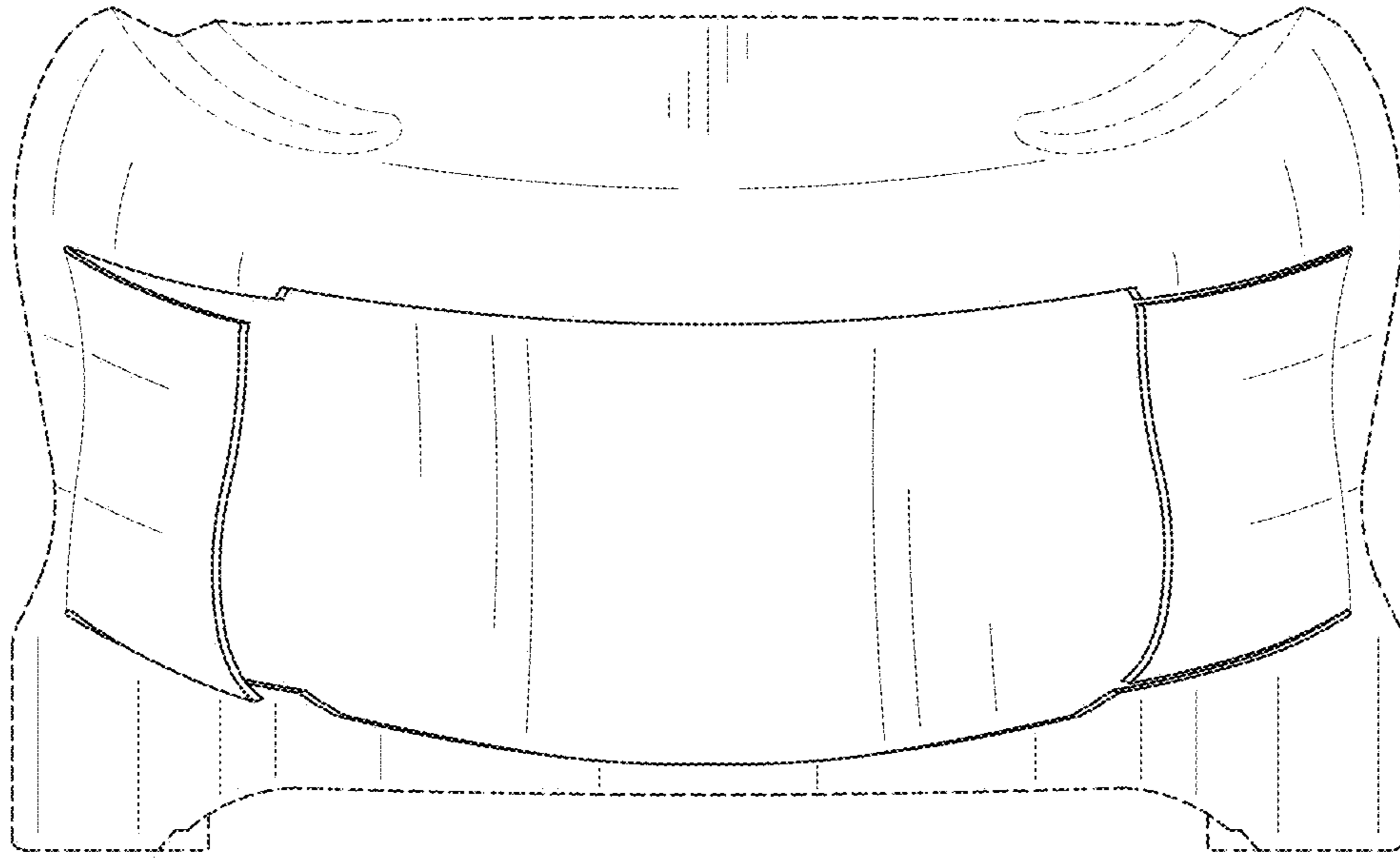


FIG. 22

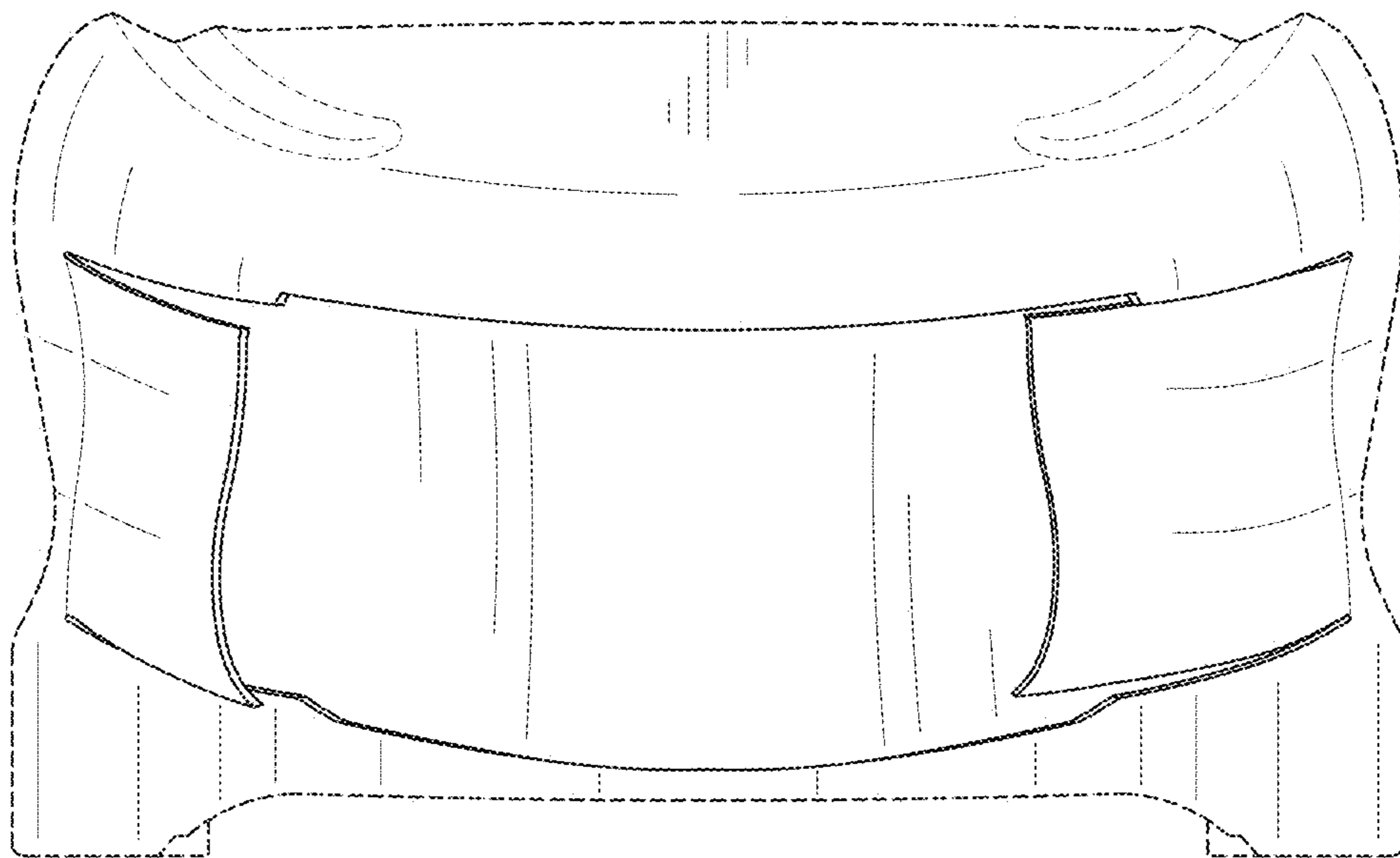


FIG. 23