



US00D894064S

(12) **United States Design Patent** (10) **Patent No.:** **US D894,064 S**  
**Sturgeon et al.** (45) **Date of Patent:** **\*\* Aug. 25, 2020**

(54) **FOOTREST**

(71) Applicant: **RADIO FLYER INC.**, Chicago, IL (US)

(72) Inventors: **Samantha Sturgeon**, Chicago, IL (US);  
**Anne Goodman**, Chicago, IL (US)

(73) Assignee: **Radio Flyer Inc.**, Chicago, IL (US)

(\*\*) Term: **15 Years**

(21) Appl. No.: **29/657,979**

(22) Filed: **Jul. 26, 2018**

(51) **LOC (12) Cl.** ..... **12-16**

(52) **U.S. Cl.**  
USPC ..... **D12/174**

(58) **Field of Classification Search**  
USPC ..... D12/121, 125, 174, 203  
CPC ..... G05G 1/506; Y10T 74/20888  
See application file for complete search history.

(56) **References Cited**

**U.S. PATENT DOCUMENTS**

3,605,929	A	9/1971	Rolland
4,159,752	A	7/1979	Kanno
4,325,565	A	4/1982	Winchell
4,451,057	A	5/1984	Lawson
D301,439	S	6/1989	Glasgow
5,028,066	A	7/1991	Garth
5,190,306	A	3/1993	Nauman et al.
D347,809	S	6/1994	Choi
D351,125	S	10/1994	Chen
D399,270	S	10/1998	Harrod
6,089,587	A	7/2000	Li
6,161,847	A	12/2000	Howell et al.
6,161,860	A	12/2000	Corneau
D437,007	S	1/2001	Lerch
D440,260	S	4/2001	Lenihan
6,270,106	B1	8/2001	Maki et al.

(Continued)

**FOREIGN PATENT DOCUMENTS**

CN 205186410 4/2016  
CN 103754251 9/2016

(Continued)

**OTHER PUBLICATIONS**

Huffy 3-2-1 Tricycle, Amazon.com, as early as Aug. 2016, 4 pages.  
(Continued)

*Primary Examiner* — Karen S Acker

*Assistant Examiner* — Steven B Reinholdt, Jr.

(74) *Attorney, Agent, or Firm* — Barnes & Thornburg LLP

(57) **CLAIM**

We claim the ornamental design for a footrest, as shown and described.

**DESCRIPTION**

FIG. 1 is a rear top perspective view of the footrest according to the new design.

FIG. 2 is a left side elevation view of the footrest shown in FIG. 1.

FIG. 3 is a right side elevation view of the footrest shown in FIG. 1.

FIG. 4 is a front elevation view of the footrest shown in FIG. 1.

FIG. 5 is a rear elevation view of the footrest shown in FIG. 1.

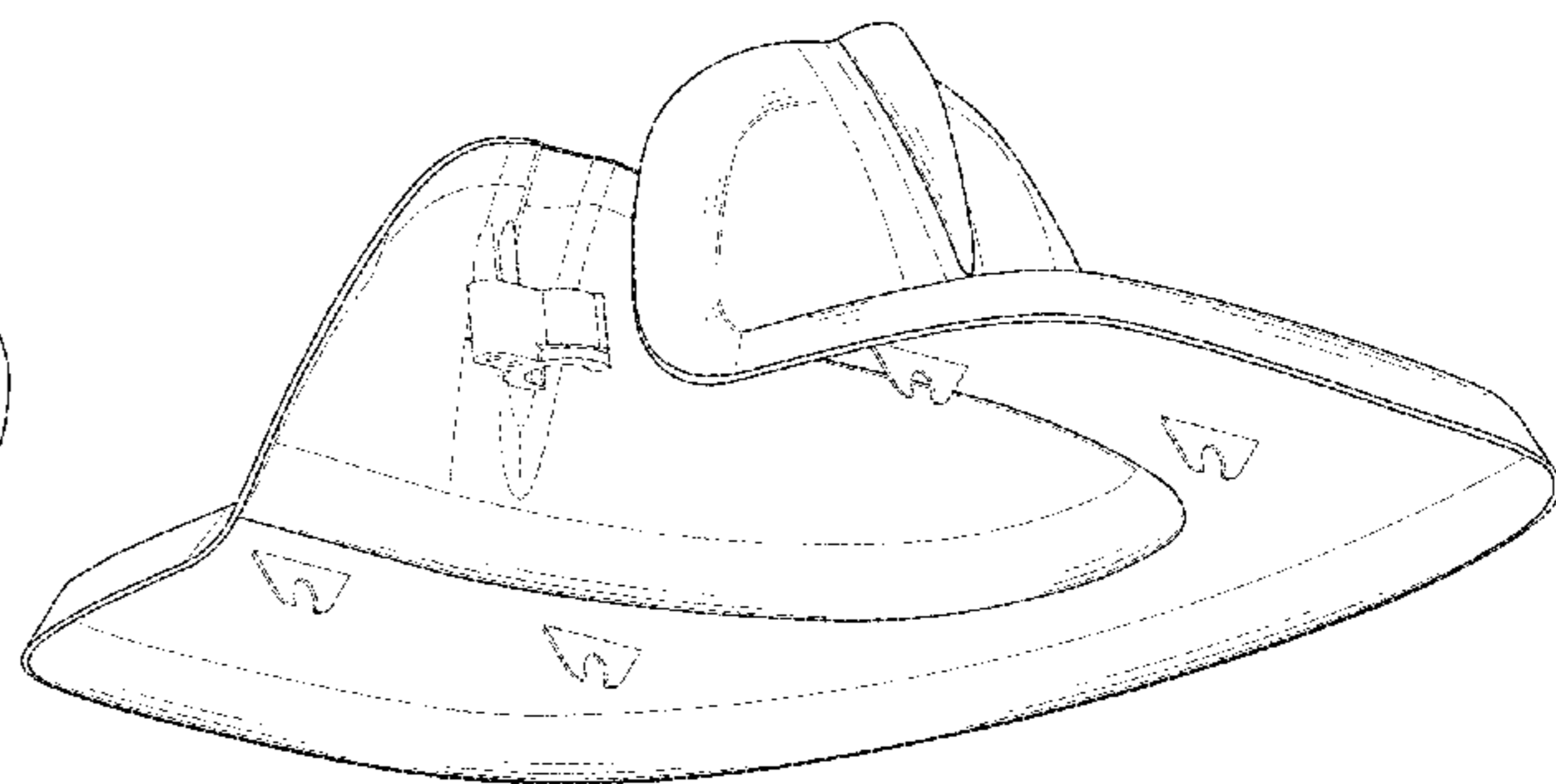
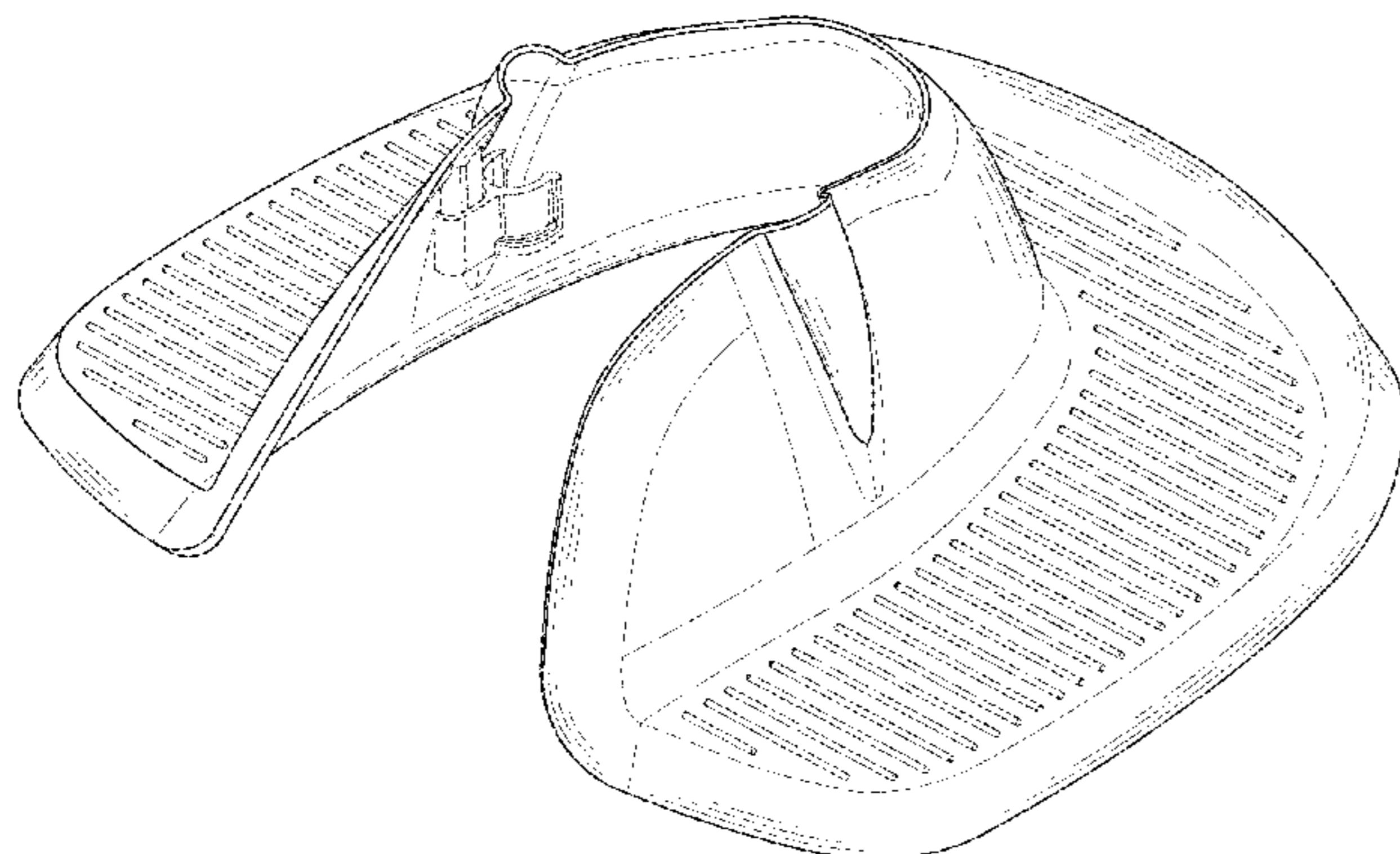
FIG. 6 is a top plan view of the footrest shown in FIG. 1.

FIG. 7 is a bottom plan view of the footrest shown in FIG. 1; and,

FIG. 8 is a rear bottom perspective view of the footrest shown in FIG. 1.

The broken lines and the areas within them illustrate portions of the footrest that form no part of the claimed design.

**1 Claim, 8 Drawing Sheets**



(56)

References Cited

U.S. PATENT DOCUMENTS

6,443,469 B1 9/2002 Cross  
 D484,516 S \* 12/2003 McCord ..... D15/28  
 6,685,207 B1 2/2004 Blake  
 6,726,233 B1 4/2004 Li  
 6,793,231 B2 9/2004 Wu  
 6,869,124 B2 3/2005 Kanie  
 6,874,802 B2 4/2005 Gunter et al.  
 D535,218 S 1/2007 Yan  
 D542,740 S \* 5/2007 Pollard ..... D13/167  
 7,281,725 B1 10/2007 Gunter et al.  
 D571,866 S 6/2008 On  
 7,527,276 B2 5/2009 Schmutz  
 D594,788 S 6/2009 Hartlaub et al.  
 D604,777 S 11/2009 On  
 7,637,338 B2 12/2009 Maltais et al.  
 D627,265 S 11/2010 On  
 8,109,556 B2 2/2012 Bergman et al.  
 8,454,045 B2 6/2013 Kettler  
 D687,741 S 8/2013 Zhang  
 8,764,041 B1 7/2014 Baron  
 8,820,766 B2 9/2014 Kettler  
 D714,693 S 10/2014 Bartels  
 D716,541 S \* 11/2014 Patzak ..... D3/10  
 D730,248 S 5/2015 Baron  
 D735,090 S 7/2015 Baron  
 9,193,408 B2 11/2015 Kettler  
 9,452,804 B2 9/2016 Neerman  
 D823,172 S \* 7/2018 McFarland ..... D12/114  
 D868,637 S \* 12/2019 Donahue ..... D12/125

2003/0201621 A1 10/2003 Jang  
 2009/0156094 A1 6/2009 Seckel  
 2016/0023707 A1 9/2016 Neerman

FOREIGN PATENT DOCUMENTS

DE 202010009012 2/2012  
 JP 3110828 4/2005  
 JP 3160614 4/2010  
 JP 5100458 12/2012  
 JP 2014088076 8/2016

OTHER PUBLICATIONS

Lil' Rider 2-in-1 Stroller Tricycle, Amazon.com, as early as Aug. 2016, 2 pages.  
 Ides Ides Speaking Cargo Basic Tricycle, Aprica-Japan.com, as early as Aug. 2016, 4 pages.  
 Ides Sunshade Cargo Plus Tricycle, Aprica-Japan.com, as early as Aug. 2016, 4 pages.  
 Kiddi-O 6-In-1 Multi-Trike, kettler.usa.com, as early as Aug. 2016, 1 page.  
 Lil-Foote Kettrest, kettlerusa.com, as early as Aug. 2016, 1 page.  
 Perfect Fit 4-in-1 Trike, littletikes.com, as early as Aug. 2016, 3 pages.  
 SmarTrike Recliner 5 in 1 Trike, smartrike.com, as early as Aug. 2016, 3 pages.  
 European Search Report issued in App. No. 19197174.6-1009 dated Jan. 31, 2020 (13 pages).  
 Puky GmbH & Co. Kg: "Bedienungsanleitung CAT-Dreirad" dated Jul. 31, 2016 (64 pages).

\* cited by examiner

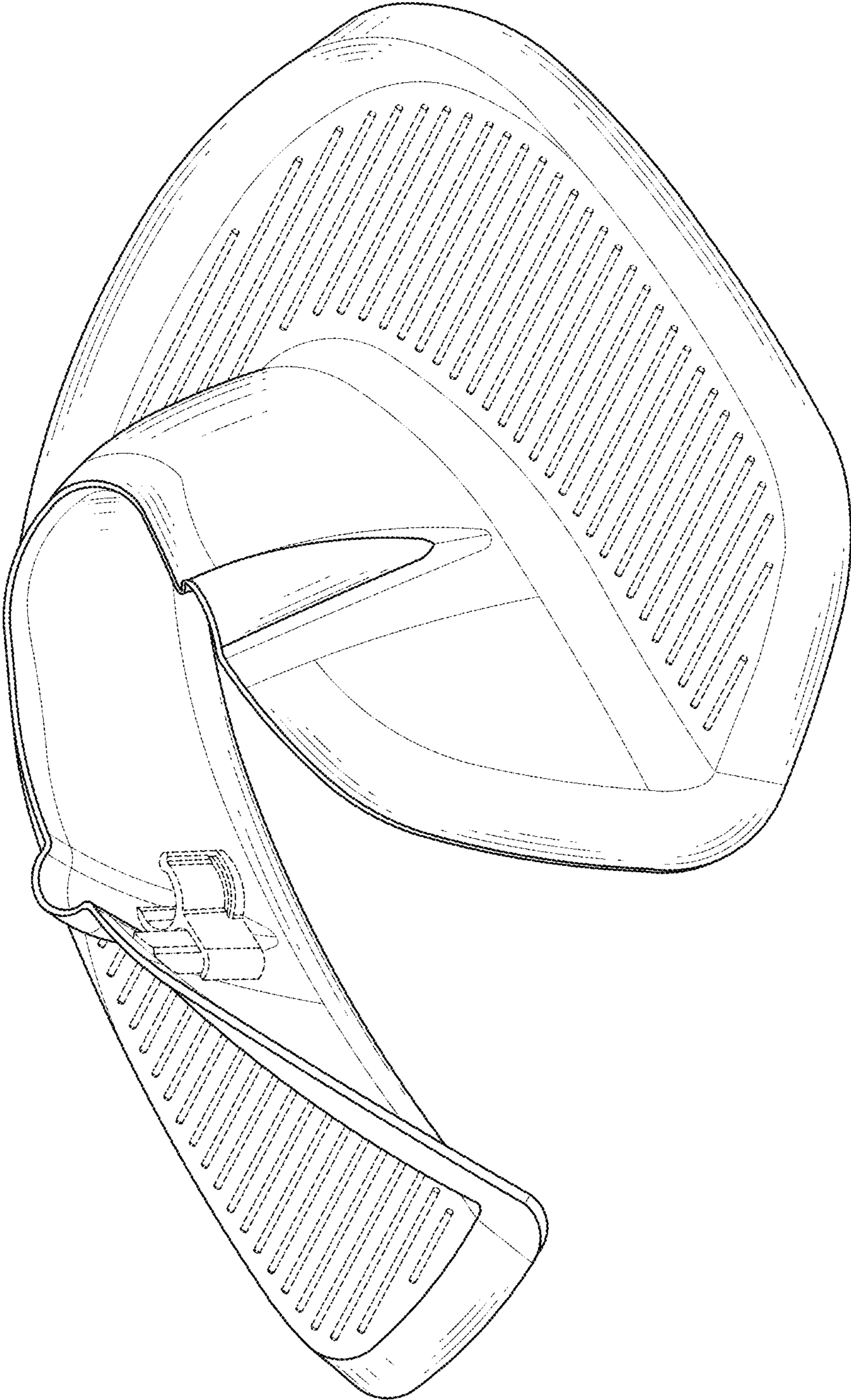


FIG. 1

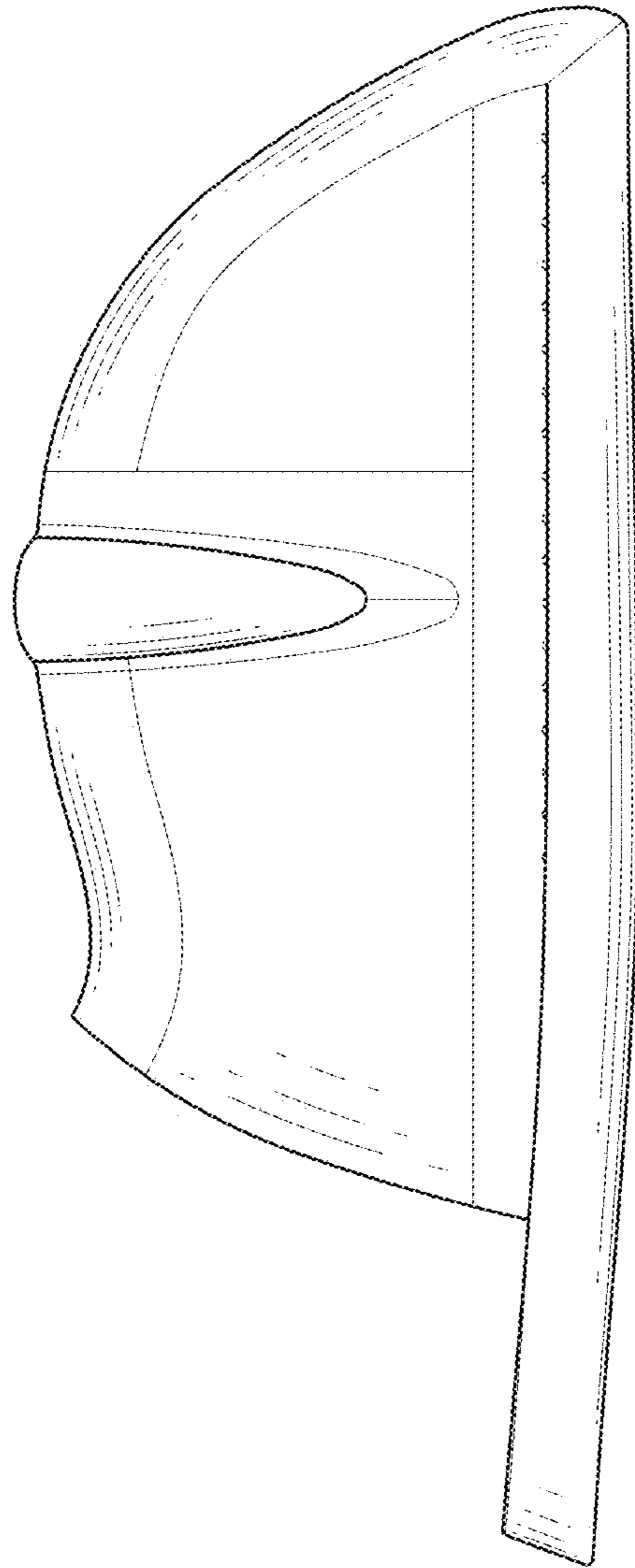


FIG. 2

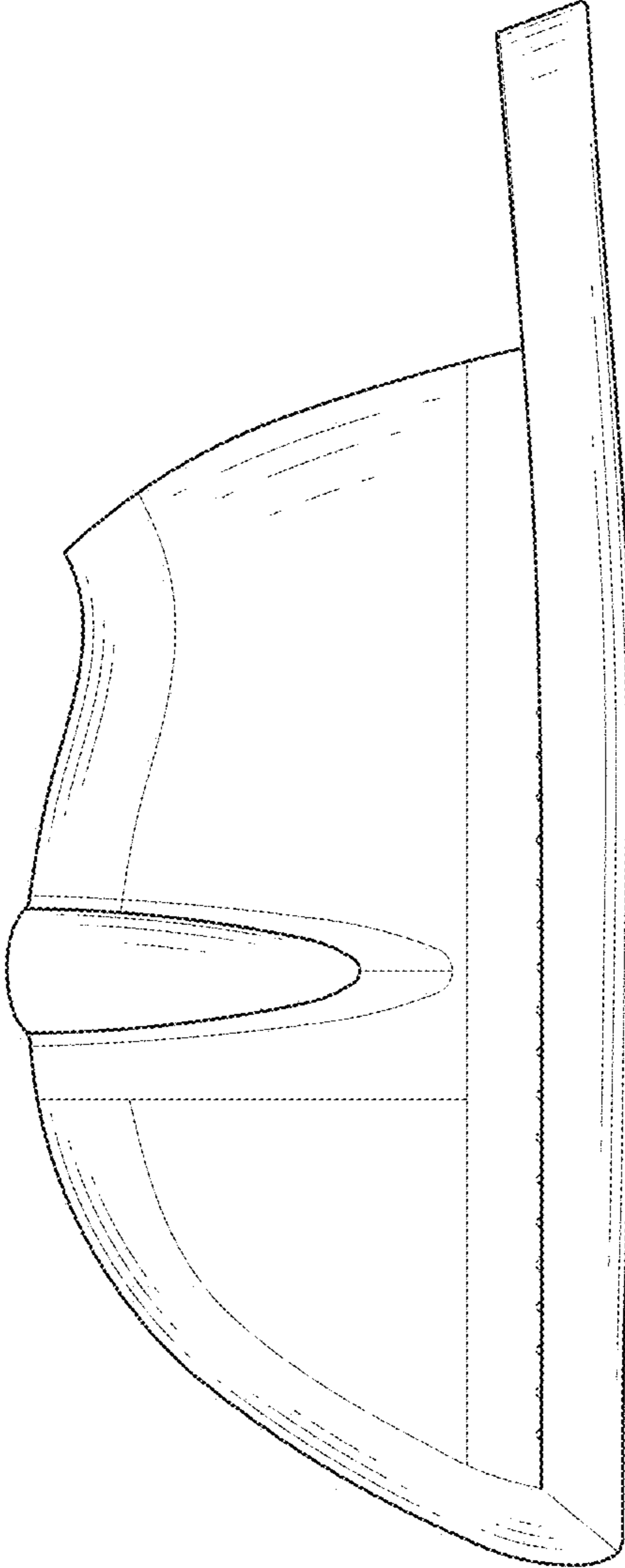


FIG. 3

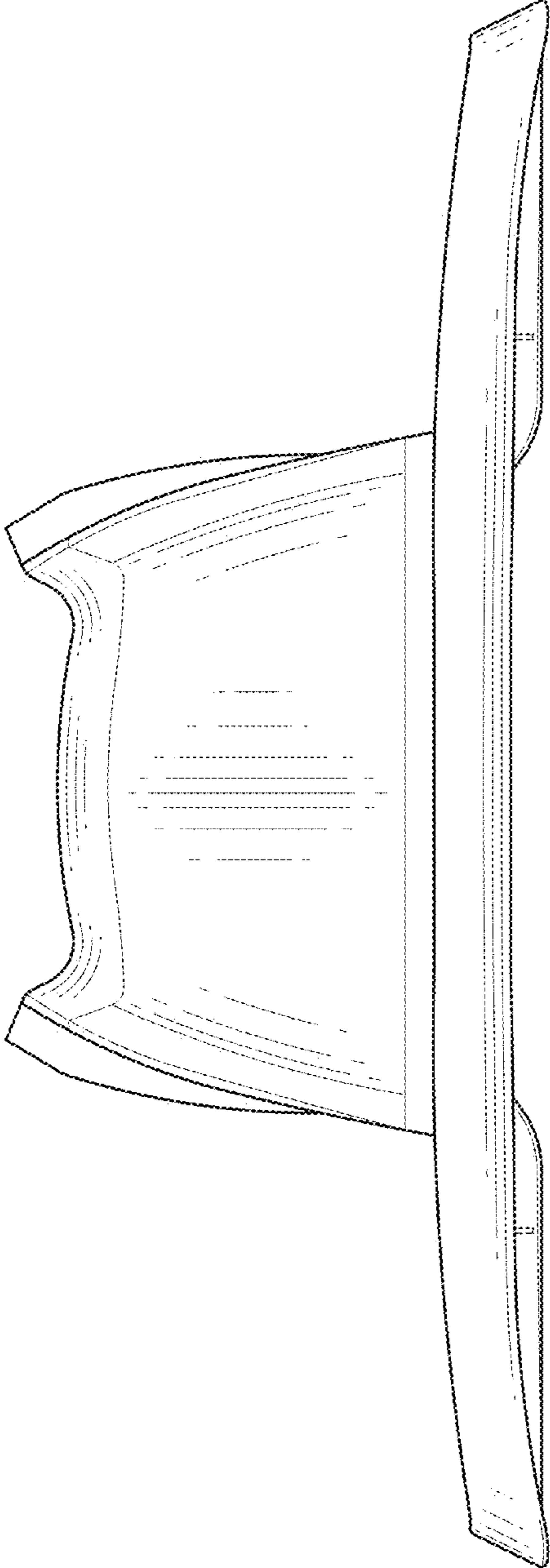


FIG. 4

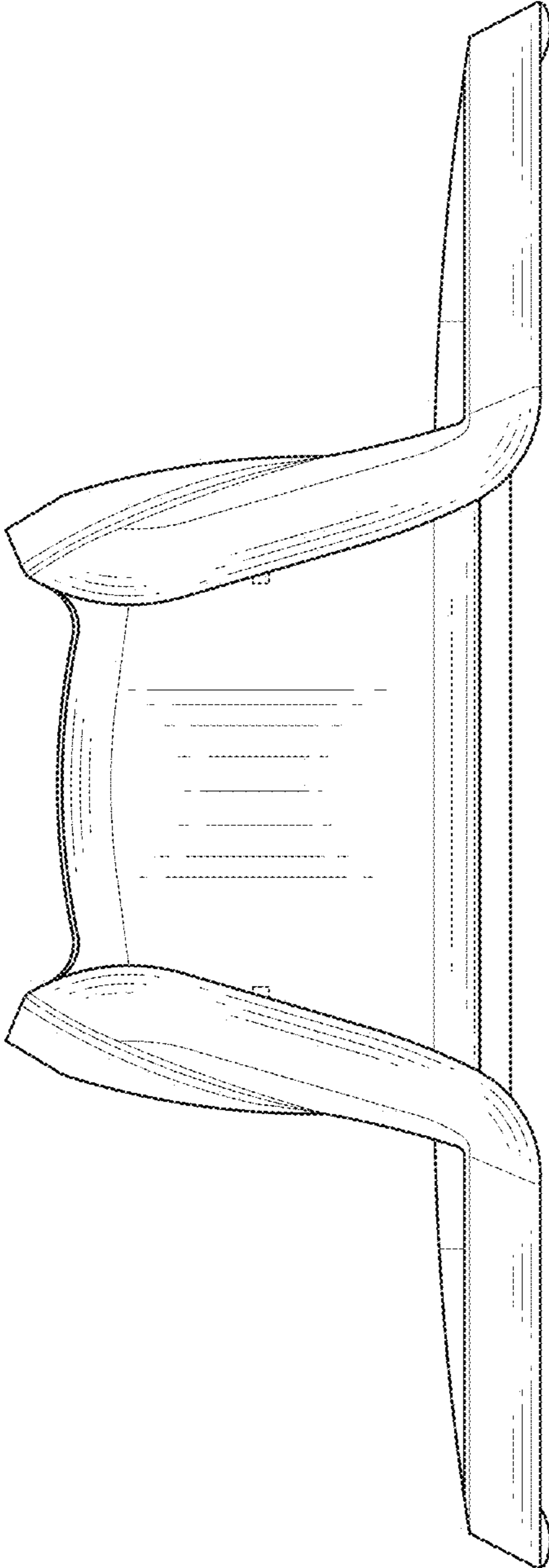


FIG. 5

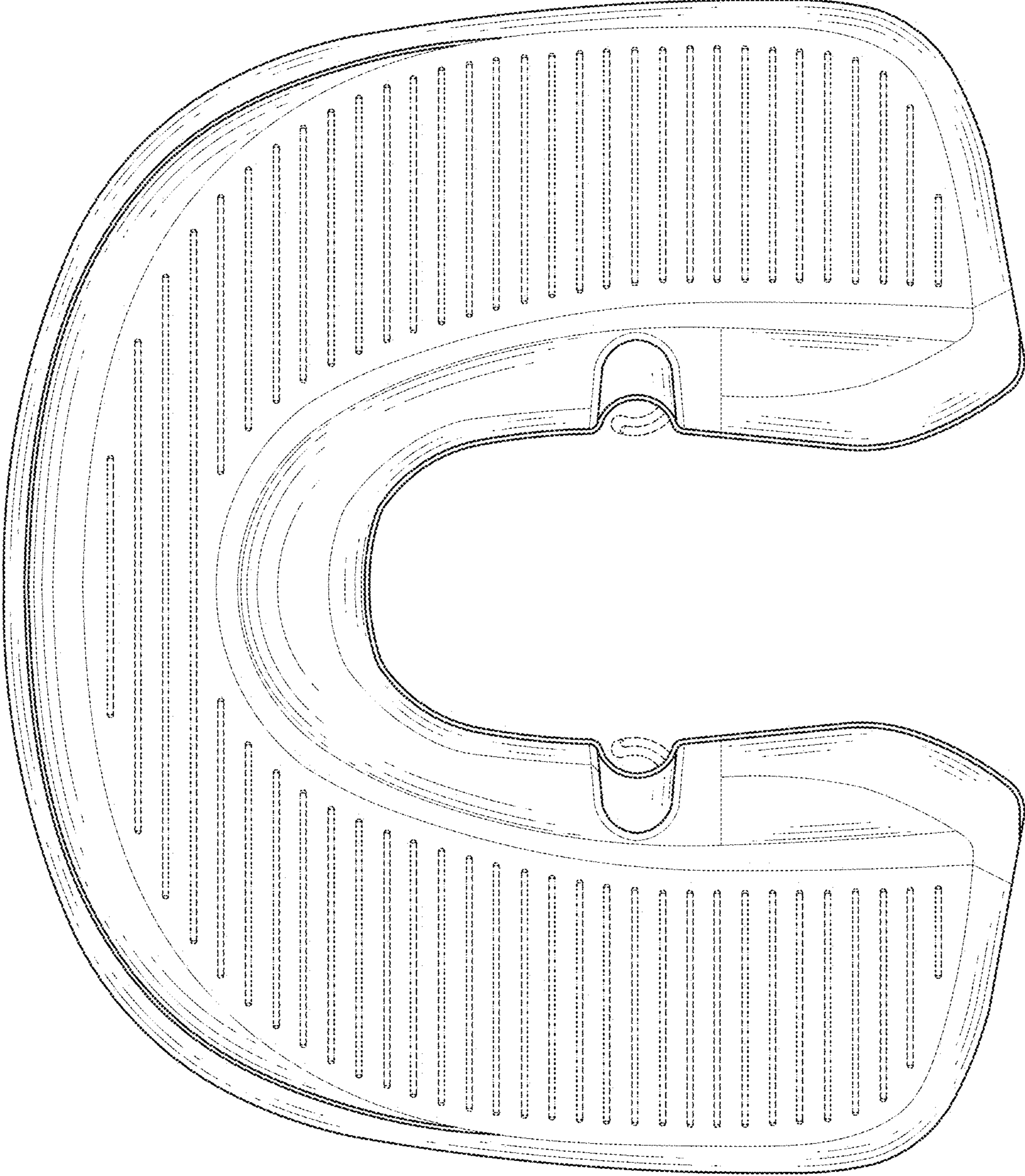


FIG. 6



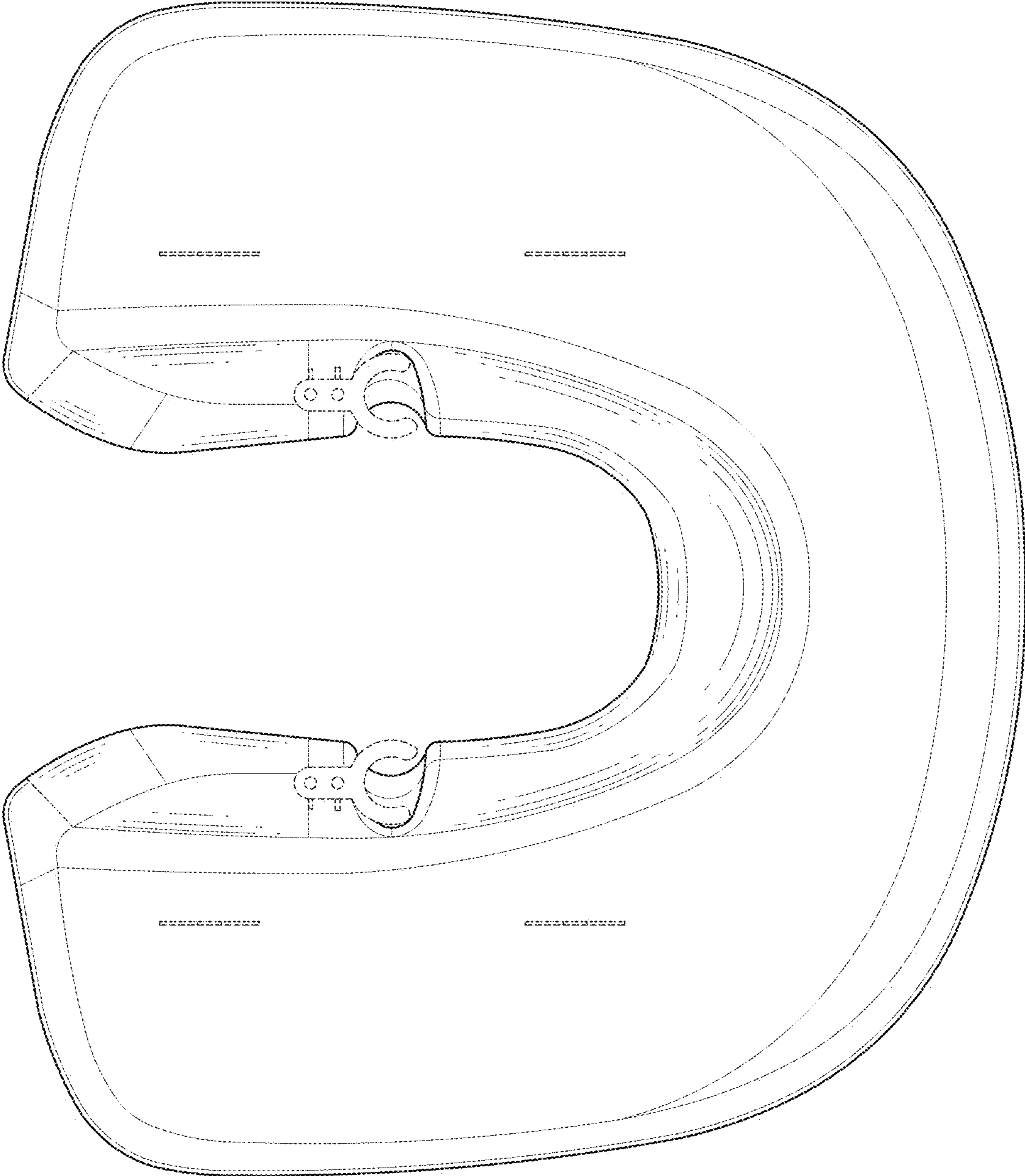


FIG. 7

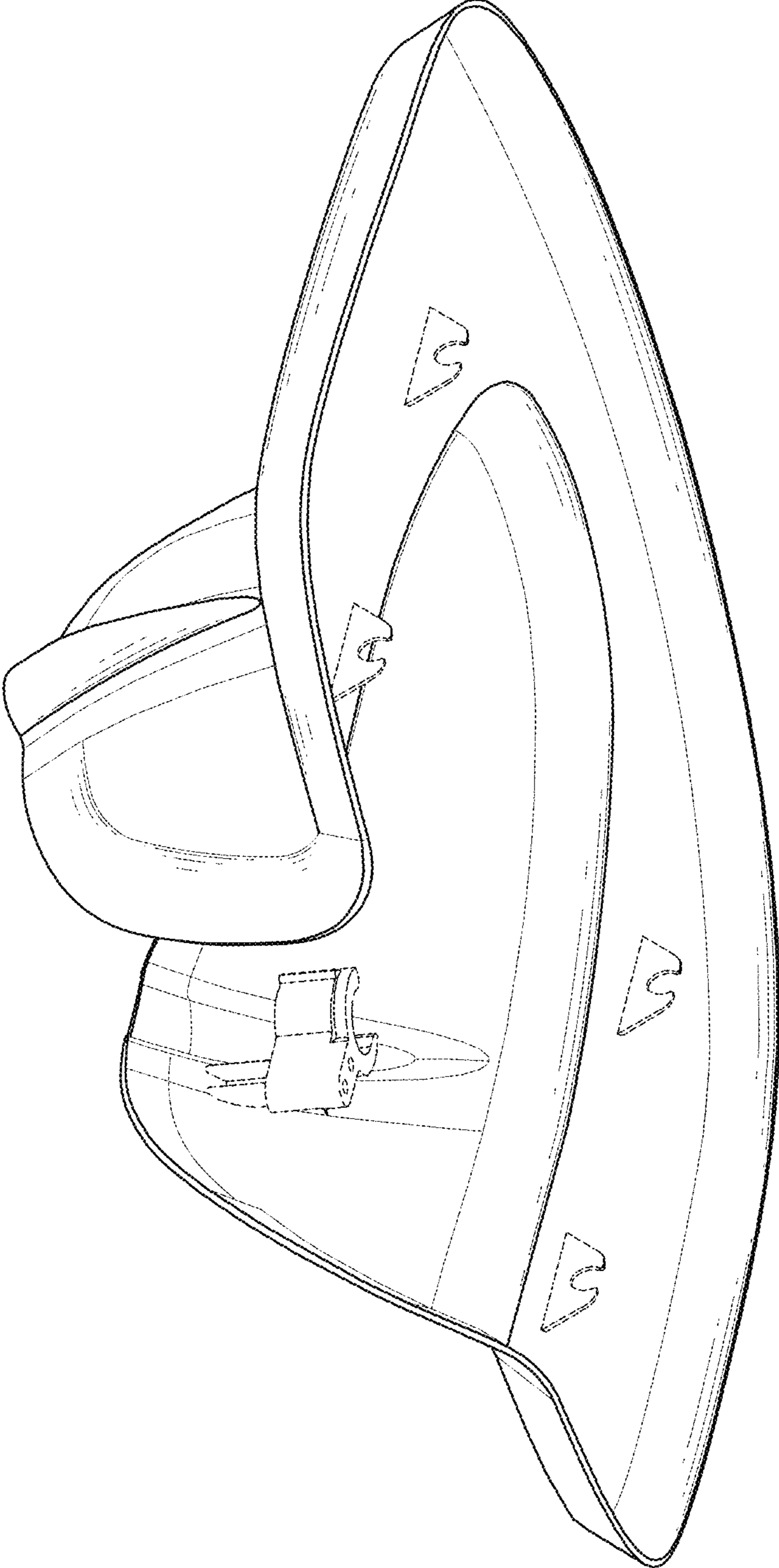


FIG. 8