



US00D894063S

(12) **United States Design Patent** (10) **Patent No.:** **US D894,063 S**
Dionisopoulos et al. (45) **Date of Patent:** **** Aug. 25, 2020**

(54) **HOOD FOR VEHICLE**
(71) Applicants: **Frank Dionisopoulos**, Grosse Pointe Shores, MI (US); **Nicholas Vardis**, Sylvan Lake, MI (US)
(72) Inventors: **Frank Dionisopoulos**, Grosse Pointe Shores, MI (US); **Nicholas Vardis**, Sylvan Lake, MI (US)
(73) Assignee: **FCA US LLC**, Auburn Hills, MI (US)
(**) Term: **15 Years**
(21) Appl. No.: **29/658,857**
(22) Filed: **Aug. 3, 2018**
(51) **LOC (12) Cl.** **12-08**
(52) **U.S. Cl.**
USPC **D12/173**
(58) **Field of Classification Search**
USPC D12/86, 90-92, 173
CPC B62D 25/10; B62D 25/06; B62D 65/02;
B62D 25/12; G60Q 1/00
See application file for complete search history.

D823,754 S * 7/2018 Dionisopoulos D12/173
D823,755 S * 7/2018 Rolfs D12/173
D823,756 S * 7/2018 Chiang D12/173
D835,551 S * 12/2018 DiCanzio D12/173
D860,866 S * 9/2019 Goodrich D12/91
D860,889 S * 9/2019 Ninov D12/173
D863,157 S * 10/2019 Wilkins D12/173

(Continued)

OTHER PUBLICATIONS

Collins, Andrew. "The Chevy Silverado's New Hood Scoop Looks Hungry." Jalopnik, published Jun. 3, 2016 (Retrieved from the Internet Oct. 4, 2019). Internet URL: <https://jalopnik.com/the-chevy-silverados-new-hood-scoop-looks-hungry-1780405828> (Year: 2016).*

(Continued)

Primary Examiner — Jack Reickel
Assistant Examiner — Rachel A Voorhies
(74) *Attorney, Agent, or Firm* — Ralph E. Smith

(57) **CLAIM**

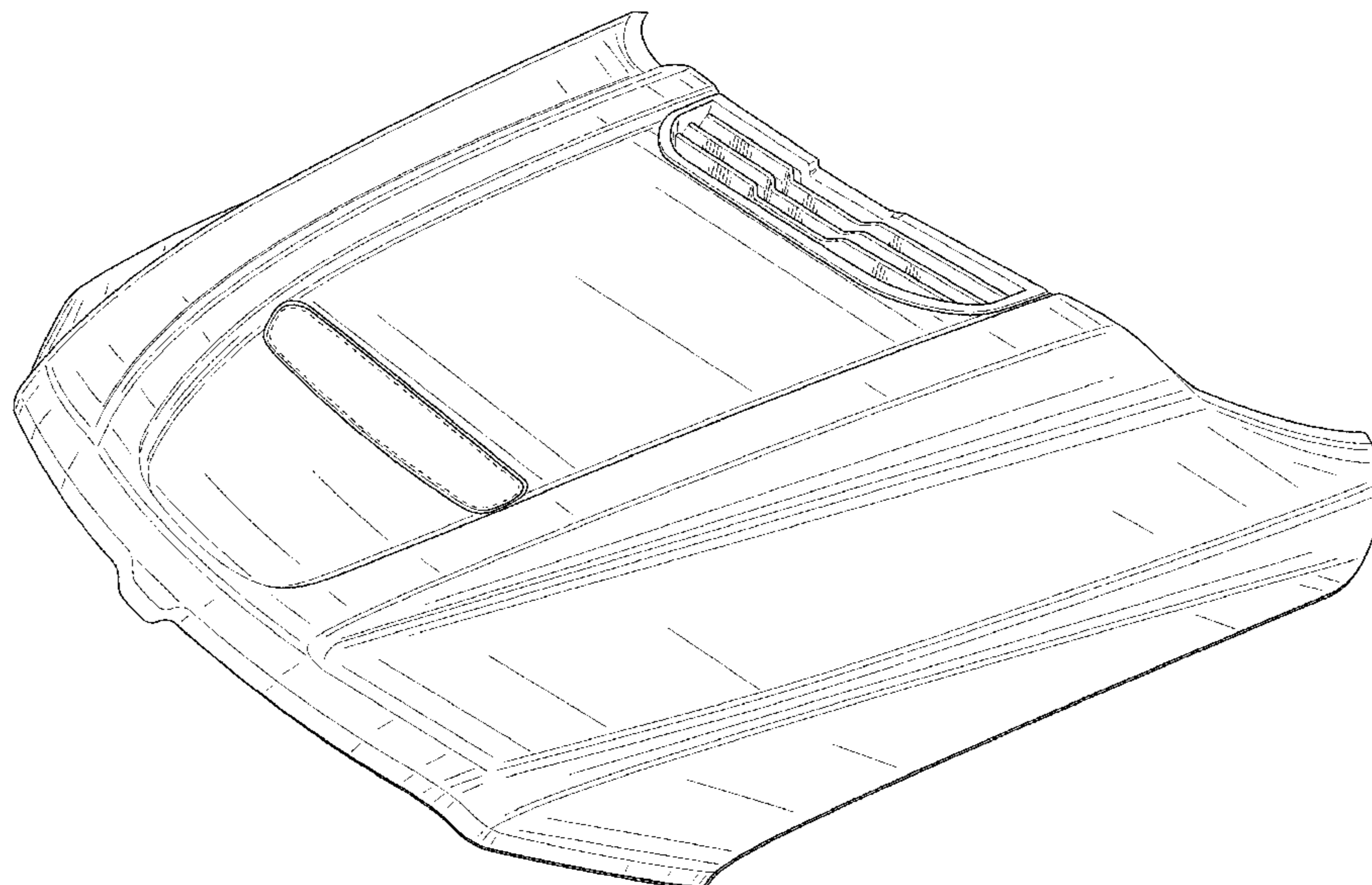
The ornamental design for a hood for vehicle, as shown and described.

DESCRIPTION

FIG. 1 is a front perspective view of a hood for vehicle showing our new design;
FIG. 2 is a rear perspective view thereof;
FIG. 3 is a front view thereof;
FIG. 4 is a back view thereof;
FIG. 5 is a left side view thereof;
FIG. 6 is a right side view thereof;
FIG. 7 is a top plan view thereof; and,
FIG. 8 is a bottom view.
It will be understood that the broken lines shown in the drawings illustrate portions of the hood for vehicle that form no part of claimed design.

1 Claim, 6 Drawing Sheets

(56) **References Cited**
U.S. PATENT DOCUMENTS
D317,887 S * 7/1991 Shimoyama D12/92
D383,710 S * 9/1997 Guichard D12/91
D475,332 S * 6/2003 Chiang D12/173
D475,333 S * 6/2003 Chiang D12/173
D478,029 S * 8/2003 Chiang D12/173
D478,302 S * 8/2003 Chiang D12/173
D548,151 S * 8/2007 Chiang D12/173
D640,959 S * 7/2011 Furst D12/173
D692,812 S * 11/2013 Harriton D12/173
D694,159 S * 11/2013 Jung D12/173
D735,625 S * 8/2015 Mays D12/173
D741,228 S * 10/2015 Curic D12/92
D795,765 S * 8/2017 Rolfs D12/173
D815,574 S * 4/2018 Mainville D12/173



(56)

References Cited

U.S. PATENT DOCUMENTS

D867,236 S * 11/2019 Buck D12/173
2018/0170172 A1 * 6/2018 Hanna B60K 13/02

OTHER PUBLICATIONS

Grayson, Wayne. "Hood scoop key piece in Chevy's creation of its most powerful HD pickups yet." Equipment World, published Jul. 19, 2017 (Retrieved from the Internet Oct. 4, 2019). Internet URL: <<https://www.equipmentworld.com/integrated-hood-scoop-chevrolet-2500-3500-silverado/>> (Year: 2017).*

"RKSport Ram Air Hood." Ford F150 Forum, published Jun. 20, 2016 (Retrieved from the Internet Oct. 4, 2019). Internet URL: <<https://www.f150forum.com/f118/rksport-ram-air-hood-349281/index2/>> (Year: 2016).*

Auto Metal Direct. "Hood-2" Raised Cowl." Amazon.com, published Jul. 3, 2013 (Retrieved from the Internet Oct. 4, 2019). Internet URL: <https://www.amazon.com/Hood-Raised-Silverado-1500HD-Suburban/dp/B00DRLVCFG/ref=sr_1_57?keywords=hood&qid=1570201836&s=automotive&sr=1-57> (Year: 2013).*

Auto Metal Direct. "Auto Metal Direct 300-4008-3 Ram Air Style Hood." Amazon.com, published May 18, 2015 (Retrieved from the Internet Oct. 4, 2019). Internet URL: <https://www.amazon.com/Hood-Style-Pickup-Blazer-Suburban/dp/B00DRLV9PY/ref=sr_1_132?keywords=hood&qid=1570201934&s=automotive&sr=1-132> (Year: 2015).*

* cited by examiner

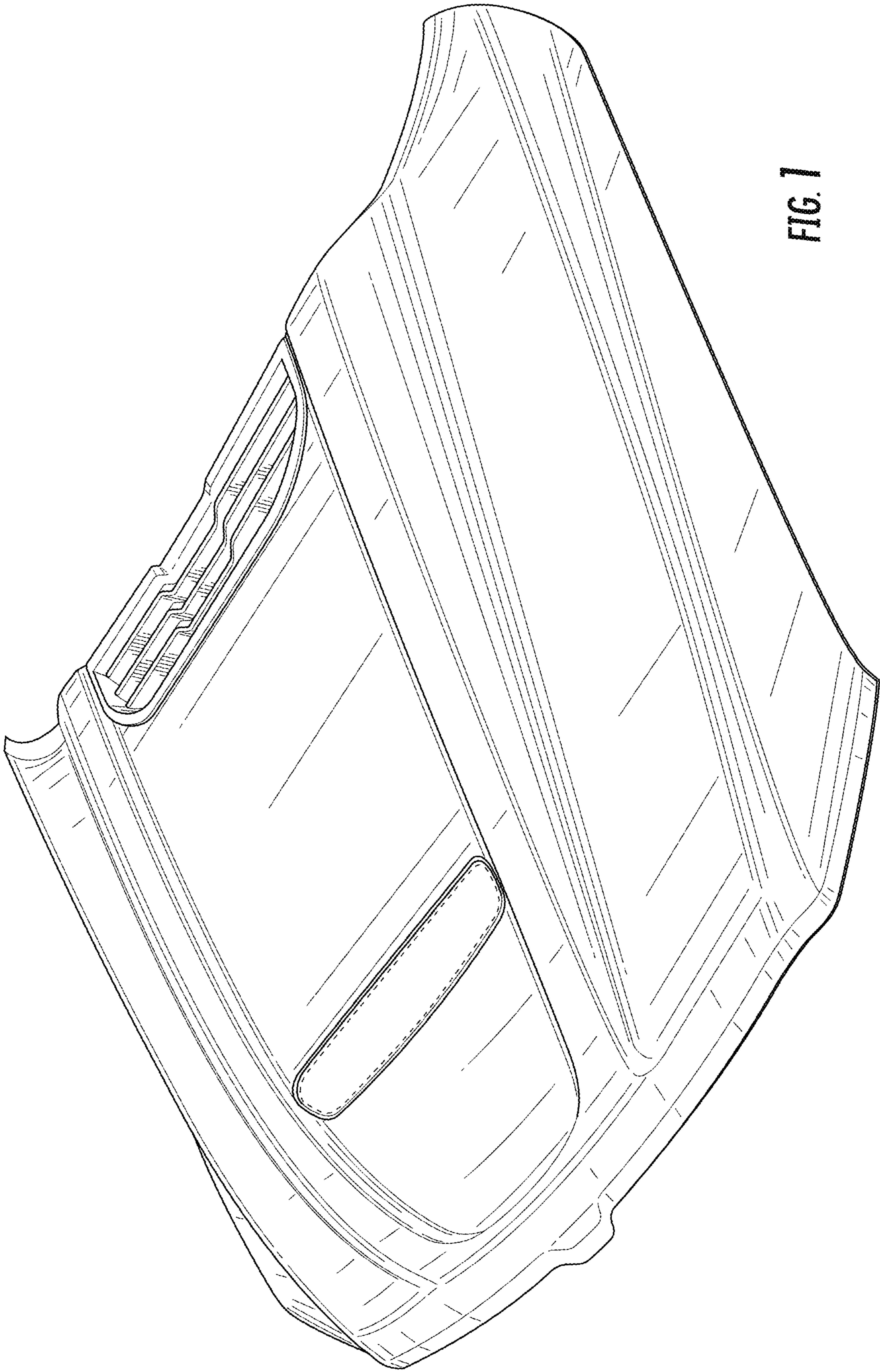


FIG. 1

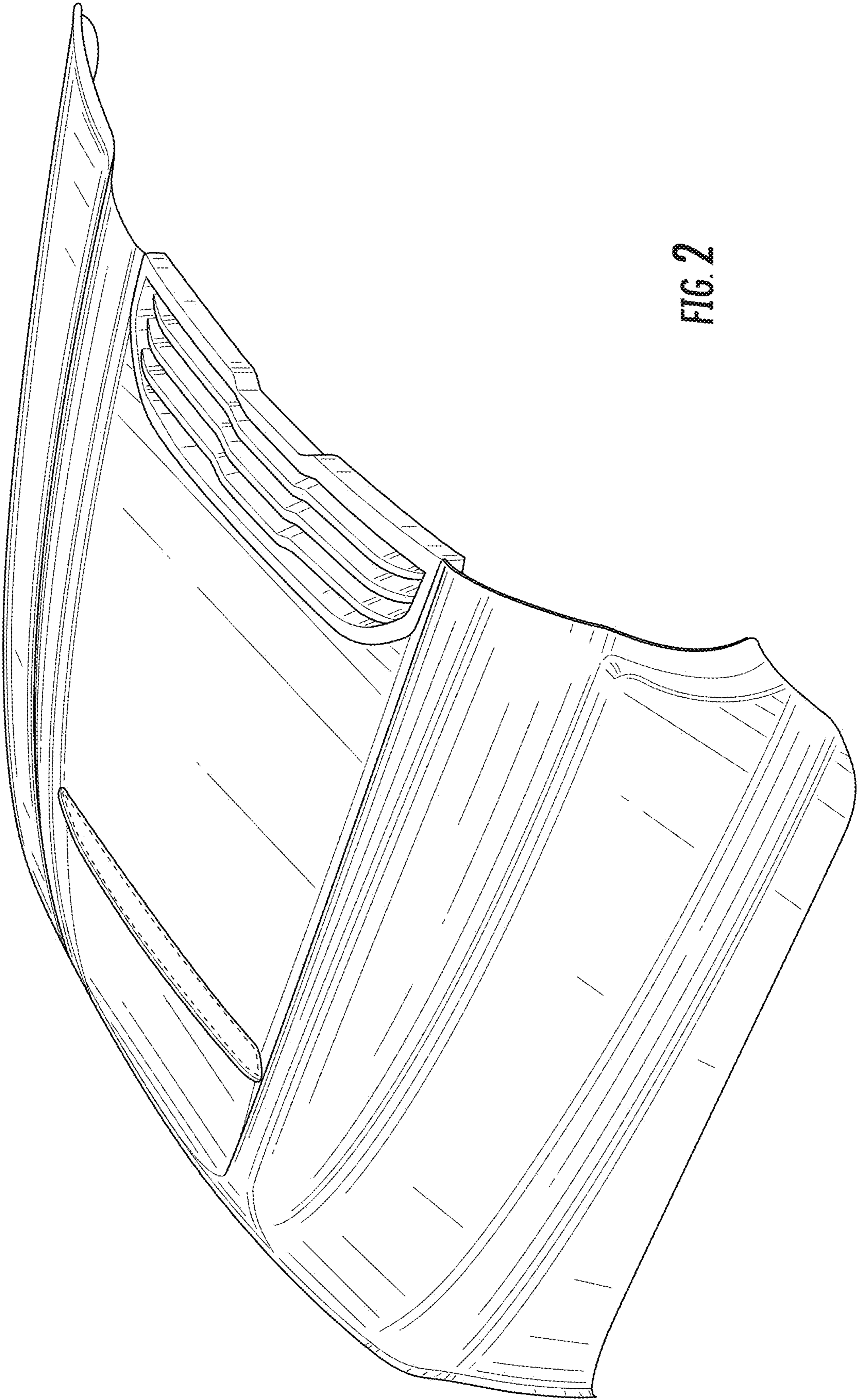


FIG. 2

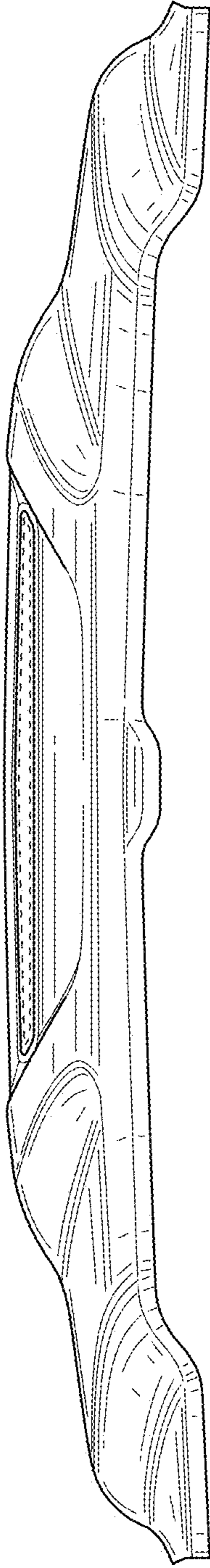


FIG. 3

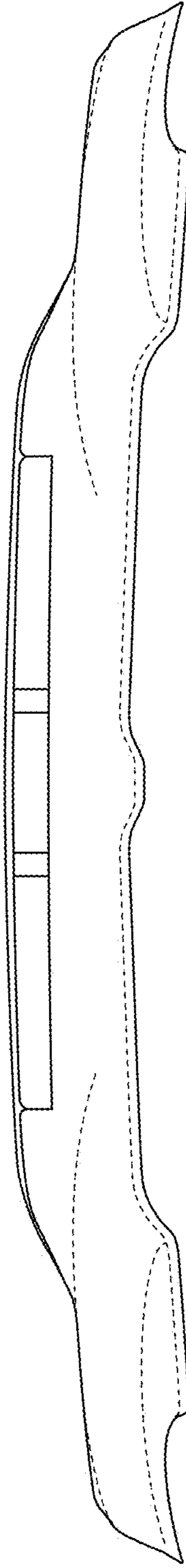


FIG. 4

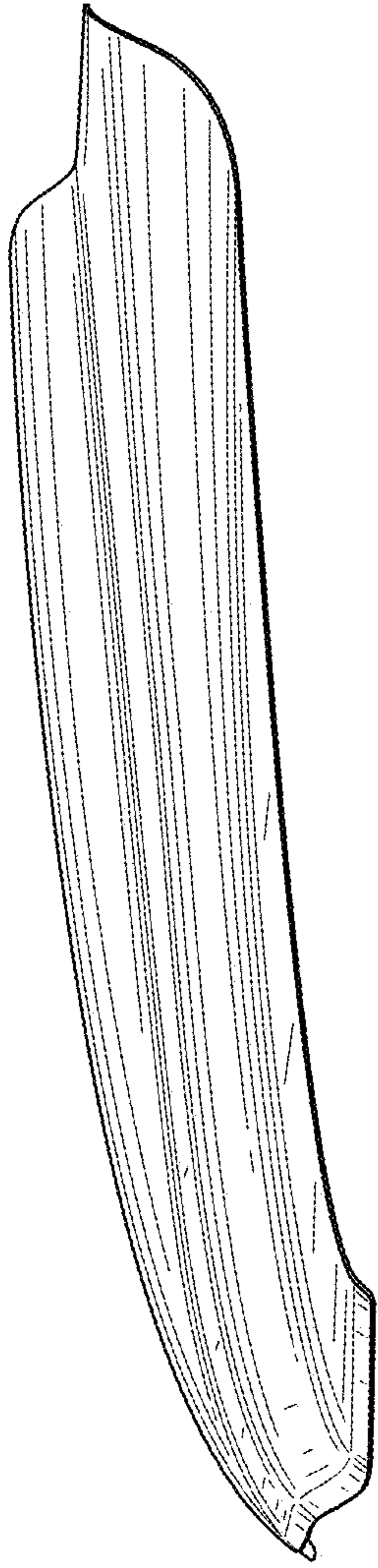


FIG. 5

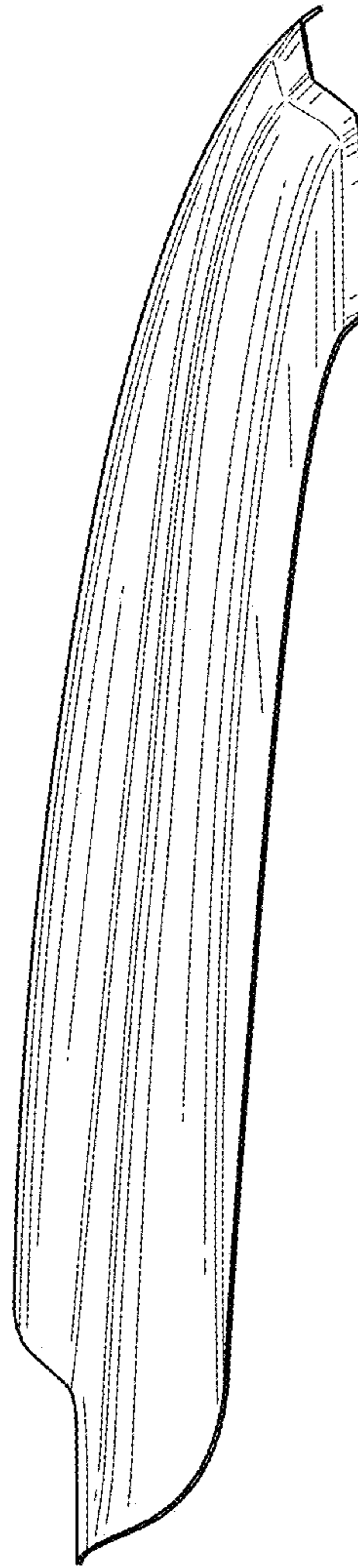


FIG. 6

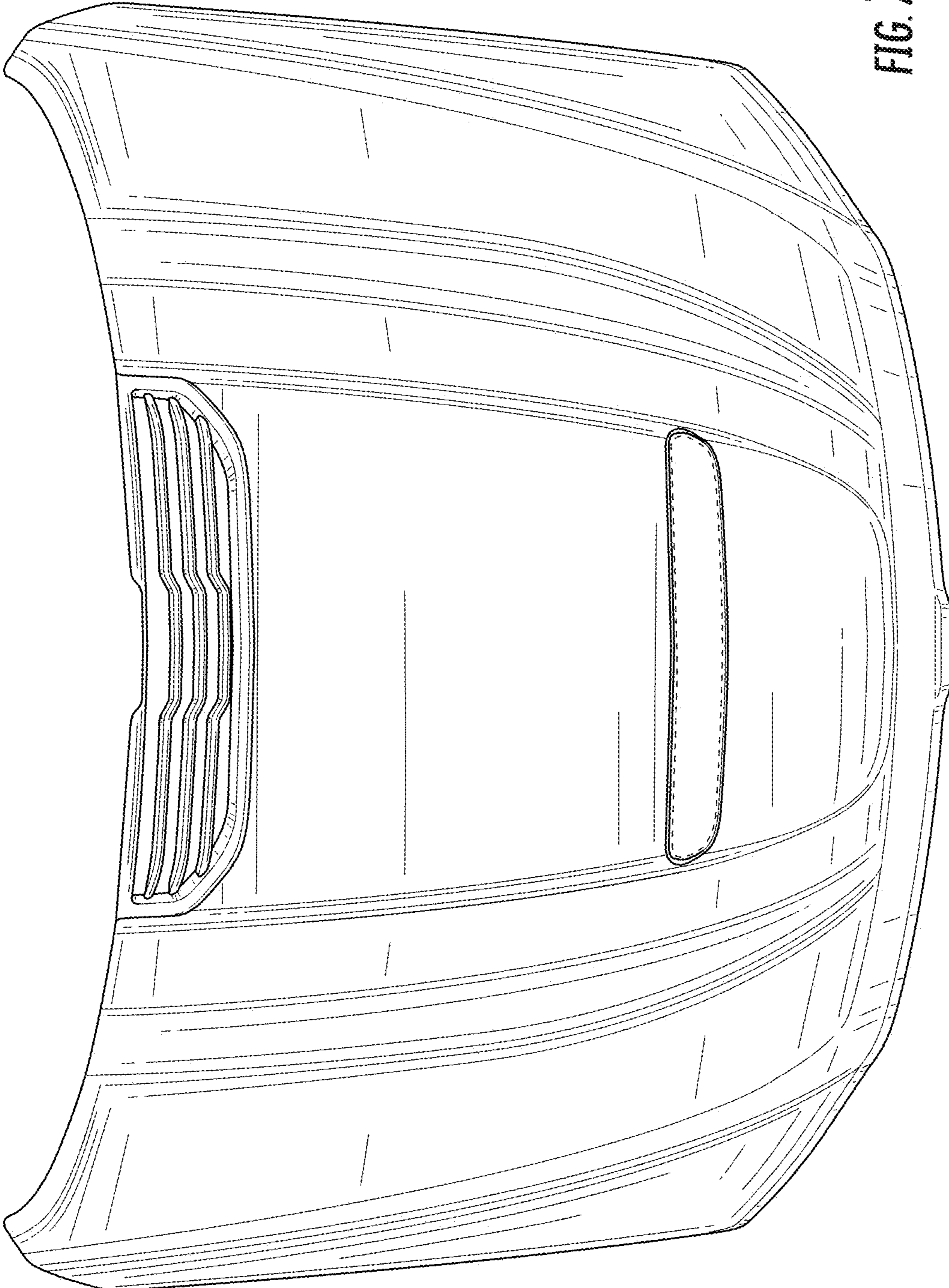


FIG. 7

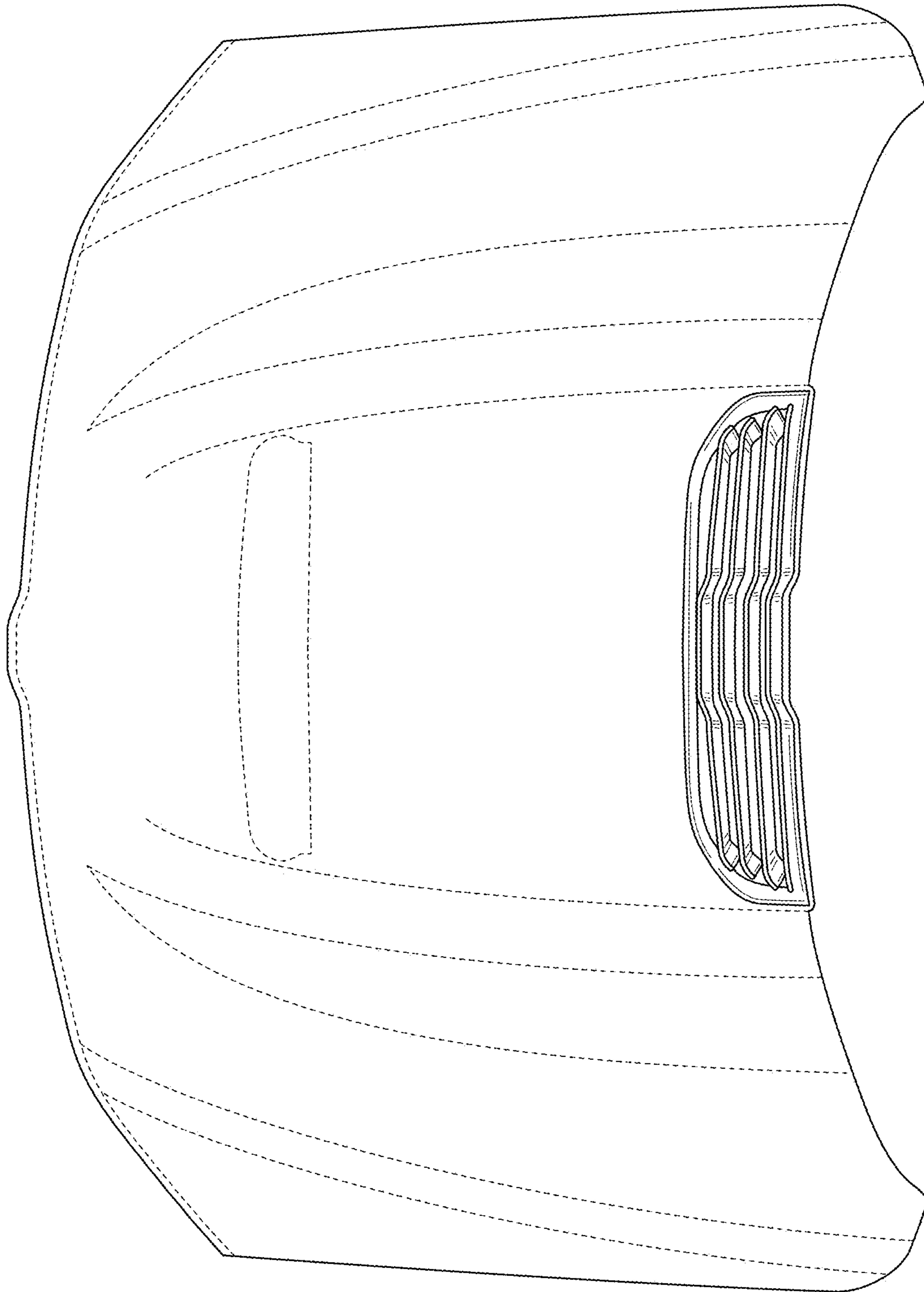


FIG. 8