



US00D894056S

(12) **United States Design Patent**
Borkholder

(10) **Patent No.:** **US D894,056 S**

(45) **Date of Patent:** **** Aug. 25, 2020**

(54) **FLATBED ADJUSTABLE HITCH**

(71) Applicant: **Carl J. Borkholder**, Bremen, IN (US)

(72) Inventor: **Carl J. Borkholder**, Bremen, IN (US)

(73) Assignee: **Gen-Y Creations, LLC**, Nappanee, IN (US)

(**) Term: **15 Years**

(21) Appl. No.: **29/695,015**

(22) Filed: **Jun. 14, 2019**

(51) **LOC (12) Cl.** **12-16**

(52) **U.S. Cl.**
USPC **D12/162**

(58) **Field of Classification Search**

USPC D12/159-162, 203, 223, 400; 37/399;
280/406.2, 407, 407.1, 408, 411.1,
280/416.1-416.3, 418, 418.1, 433, 434,
280/435, 441.1, 441.2, 455.1, 456.1, 480,
280/493, 504, 507, 508; 224/42.11,
224/42.12, 42.14, 42.26, 400, 401, 412,
224/413, 488, 494, 500-501, 519, 537;
135/88.05; 150/166

CPC . B60D 1/60; B60D 1/065; B60D 1/00; B60D
1/06; B60D 1/36; B60D 1/46; B60R 9/06

See application file for complete search history.

(56) **References Cited**

U.S. PATENT DOCUMENTS

4,792,154 A *	12/1988	Kerst	B60D 1/50
				280/489
D369,771 S *	5/1996	Murphy	D12/162
D555,549 S *	11/2007	Capuano	D12/162
7,775,544 B2 *	8/2010	Bouwkamp	B60D 1/143
				280/483
D682,751 S *	5/2013	Borkholder	D12/162
D683,279 S *	5/2013	Borkholder	D12/162
D697,838 S *	1/2014	Borkholder	D12/162
D727,803 S *	4/2015	Borkholder	D12/162

(Continued)

OTHER PUBLICATIONS

Gen-Y Torsion 2-Ball Mount w/ Stacked Receivers-3" Hitch-12" Drop/Rise-21K, eTrailer.com, [online], [site visited May 8, 2020]. <URL: https://www.etrailer.com/Trailer-Hitch-Ball-Mount/Gen-Y-Hitch/325-GH-1826.html?feed=npn&gclid=EA1aIQobChMIteKrjdGk6QIVxtSzCh1-EQHYYEAQYBiABEgLPAPD_BwE> (Year: 2020).*

(Continued)

Primary Examiner — T Chase Nelson

Assistant Examiner — Jonathan J. Han

(74) *Attorney, Agent, or Firm* — Botkin & Hall, LLP

(57) **CLAIM**

The ornamental design for a flatbed adjustable hitch, as shown and described.

DESCRIPTION

FIG. 1 is a front isometric view of the flatbed adjustable hitch;

FIG. 2 is a rear isometric view of the flatbed adjustable hitch of FIG. 1;

FIG. 3 is a front view of the flatbed adjustable hitch of FIG. 1;

FIG. 4 is a rear view of the flatbed adjustable hitch of FIG. 1;

FIG. 5 is a right side view of the flatbed adjustable hitch of FIG. 1;

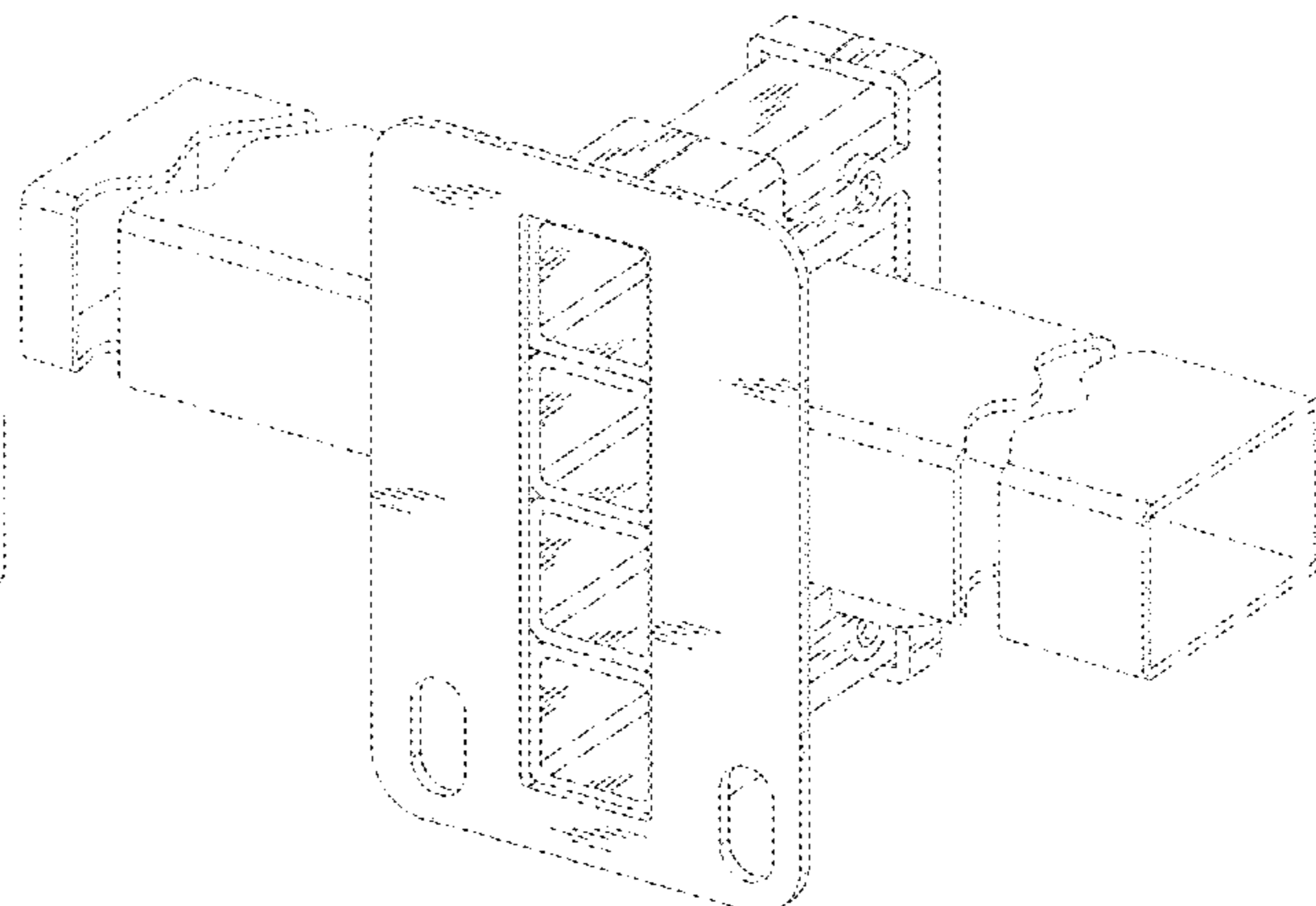
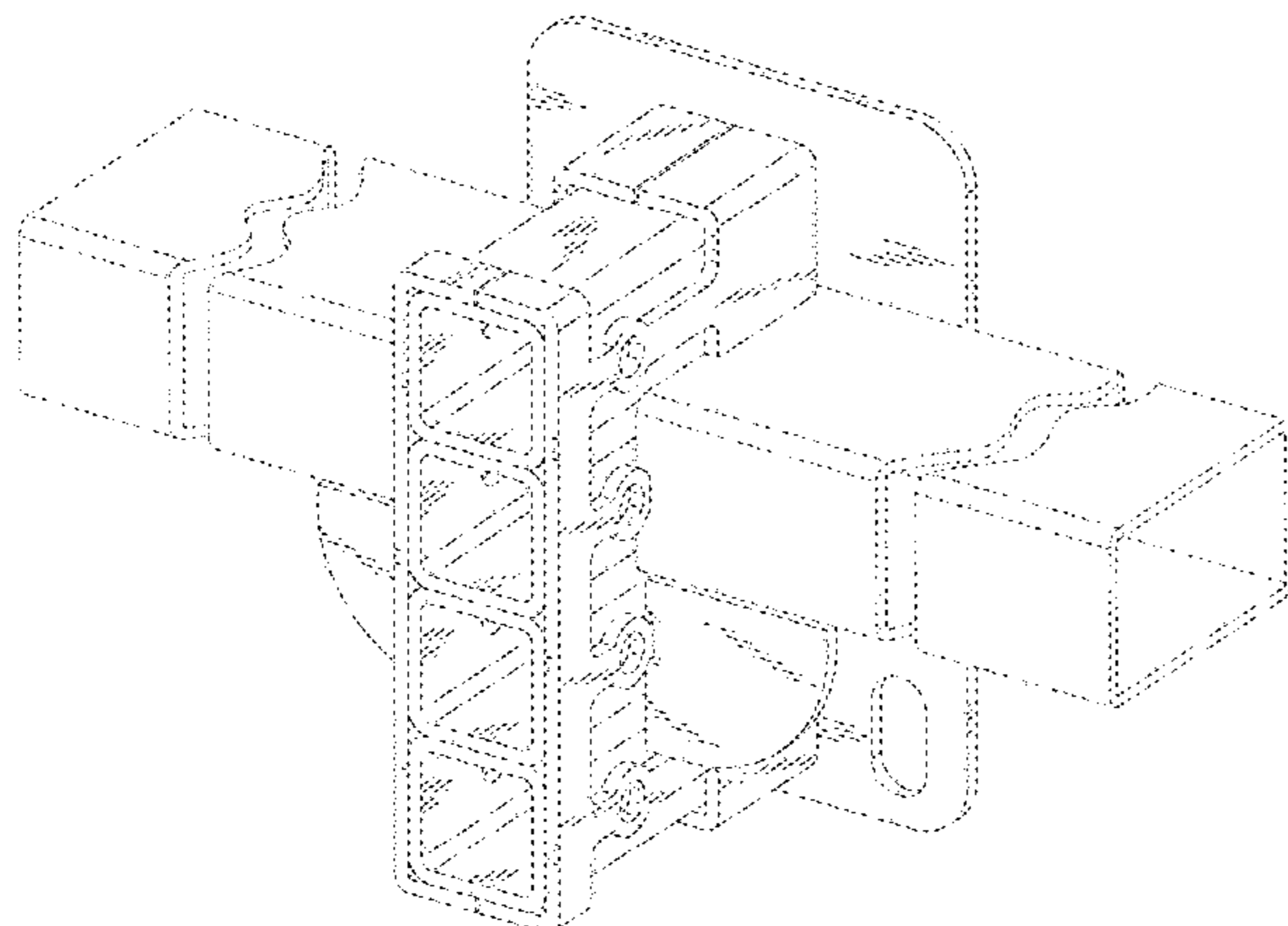
FIG. 6 is a left side view of the flatbed adjustable hitch of FIG. 1;

FIG. 7 is a top view of the flatbed adjustable hitch of FIG. 1; and,

FIG. 8 is a bottom view of the flatbed adjustable hitch of FIG. 1.

The broken lines in the drawings depict portions of the flatbed adjustable hitch that form no part of the claimed design.

1 Claim, 8 Drawing Sheets



(56)

References Cited

U.S. PATENT DOCUMENTS

9,505,281 B1 * 11/2016 Borkholder B60D 1/248
D773,345 S * 12/2016 Borkholder D12/162
D794,515 S * 8/2017 McCuskey D12/162
D797,008 S * 9/2017 Borkholder D12/162
9,868,327 B1 * 1/2018 Borkholder B60D 1/485
D828,241 S * 9/2018 Borkholder D12/162
D832,749 S * 11/2018 McCuskey D12/162
D854,970 S * 7/2019 McCuskey D12/162
D857,564 S * 8/2019 McCuskey D12/162
D857,565 S * 8/2019 McCuskey D12/162
D881,078 S * 4/2020 Rebick D12/162

OTHER PUBLICATIONS

Gen-Y The Boss Torsion Flex Adjustable Hitches GH-1124, SummitRacing.com, [online], [site visited May 8, 2020]. <URL: <https://www.summitracing.com/parts/gny-gh-1124>> (Year: 2020).*

Mega-Duty Bolt-On Adjustable Hitch, GenYhitch.com, [online], [site visited May 8, 2020]. <URL: <https://genyhitch.com/product/mega-duty-bolt-on-adjustable-hitch/>> (Year: 2020).*

* cited by examiner

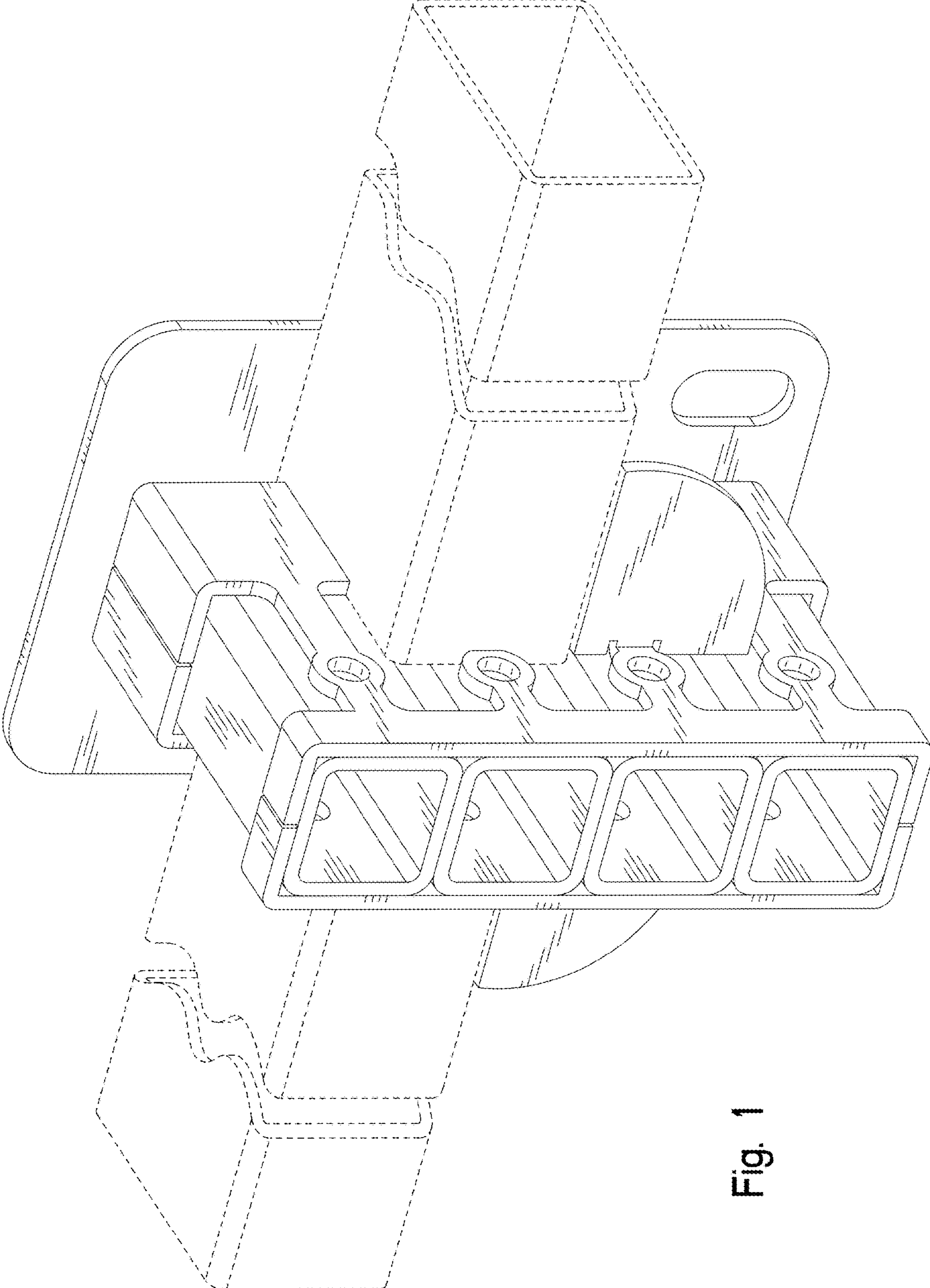


Fig. 1

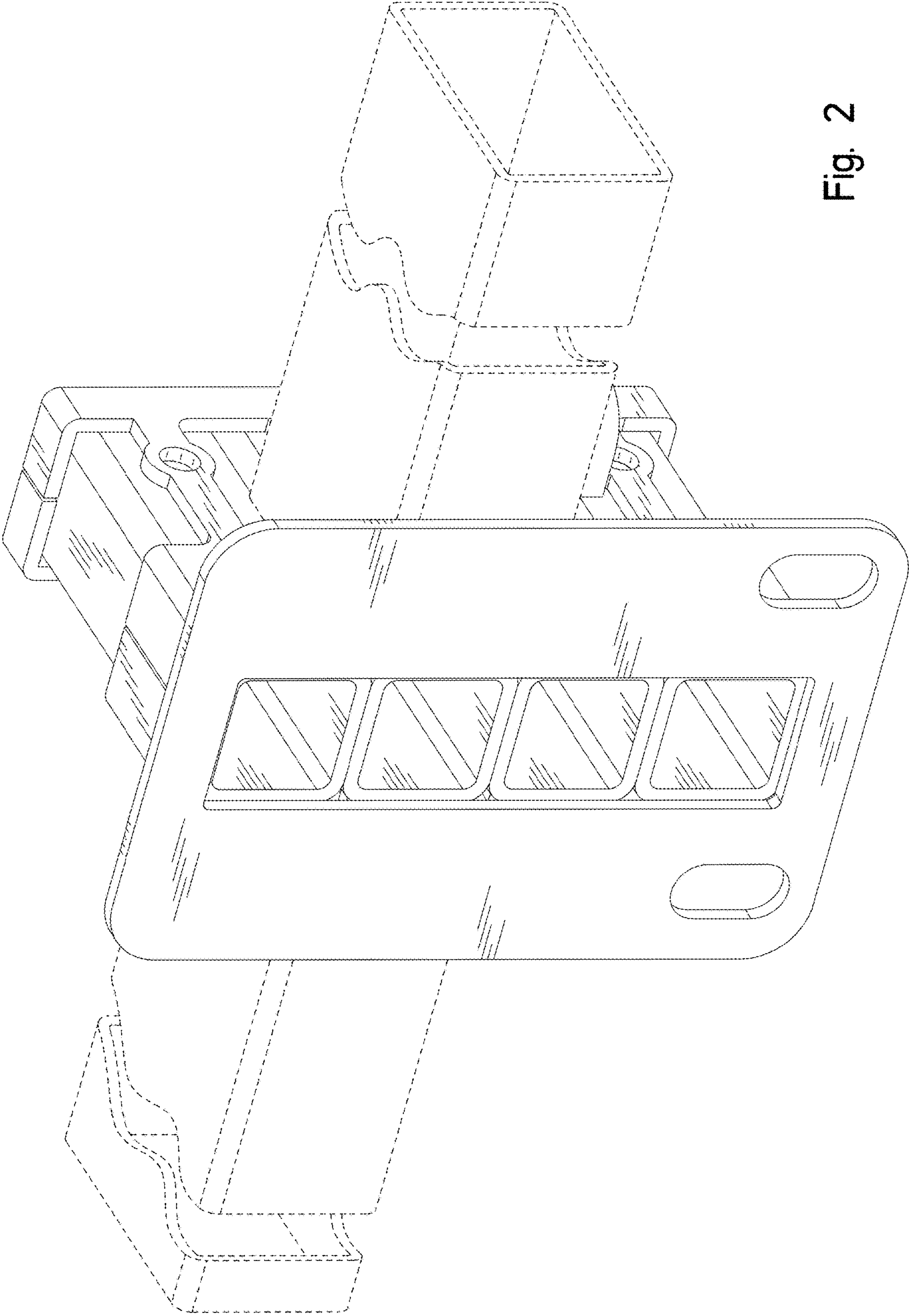


Fig. 2

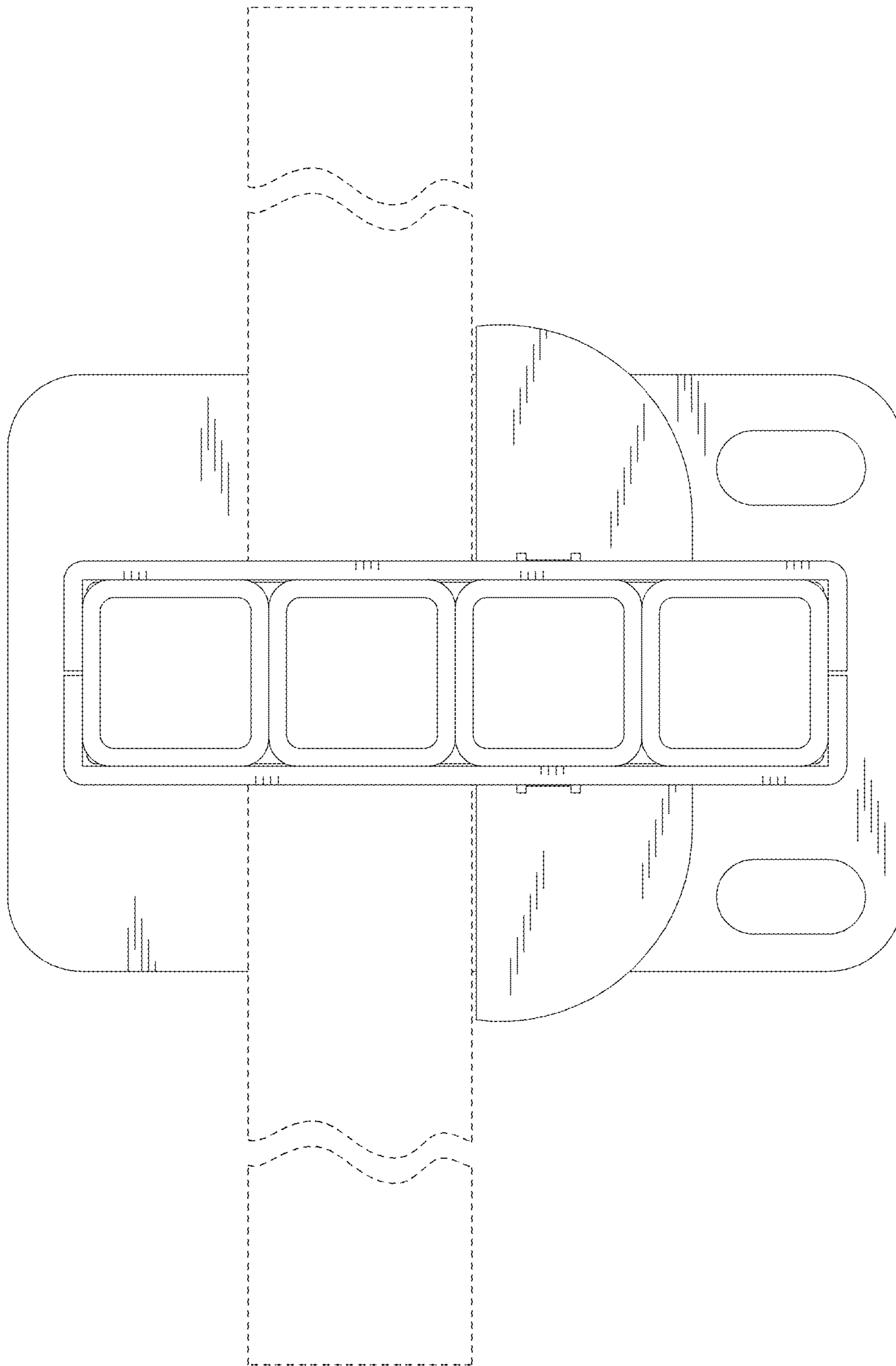


Fig. 3

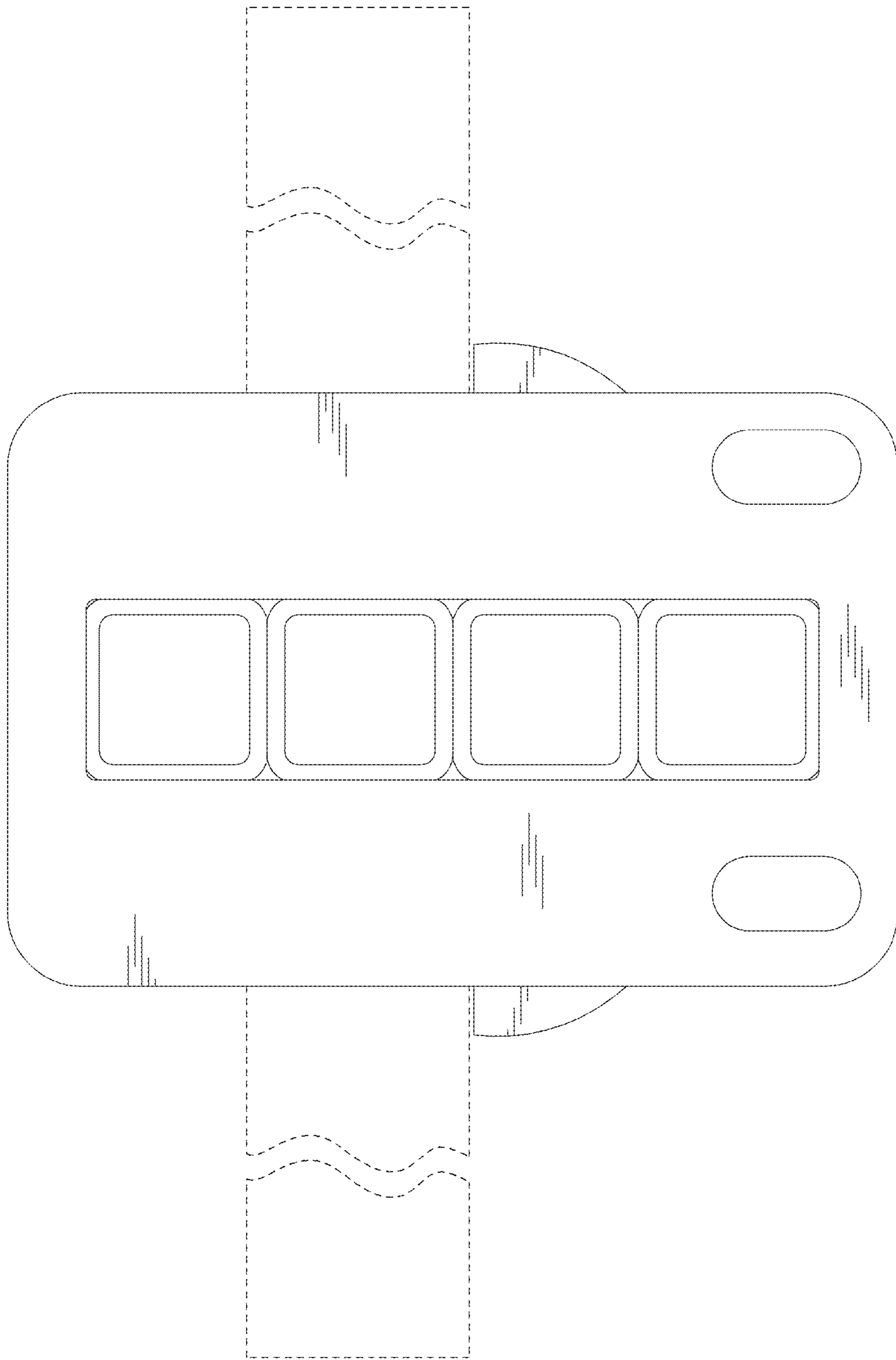


Fig. 4

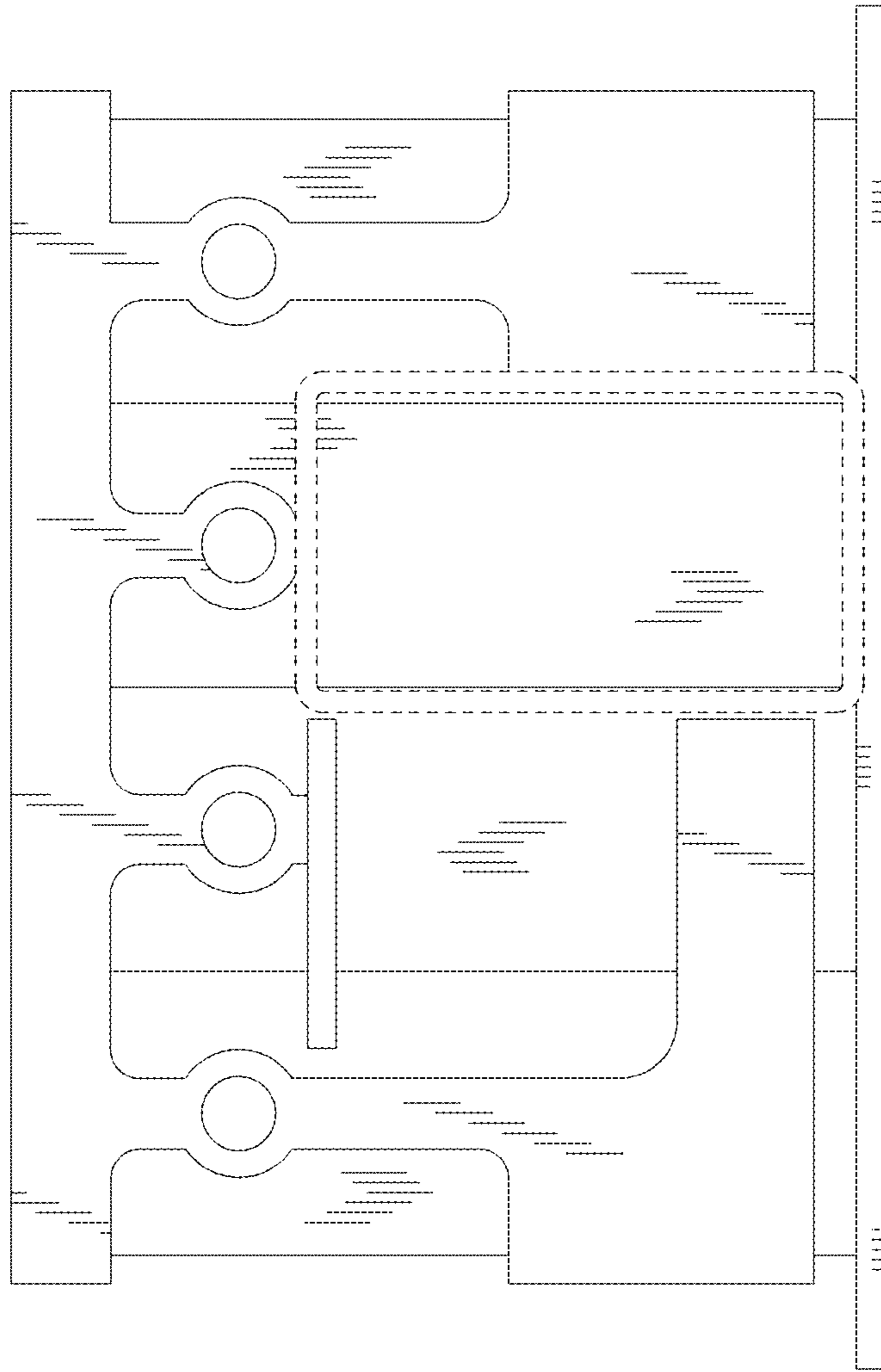


Fig. 5

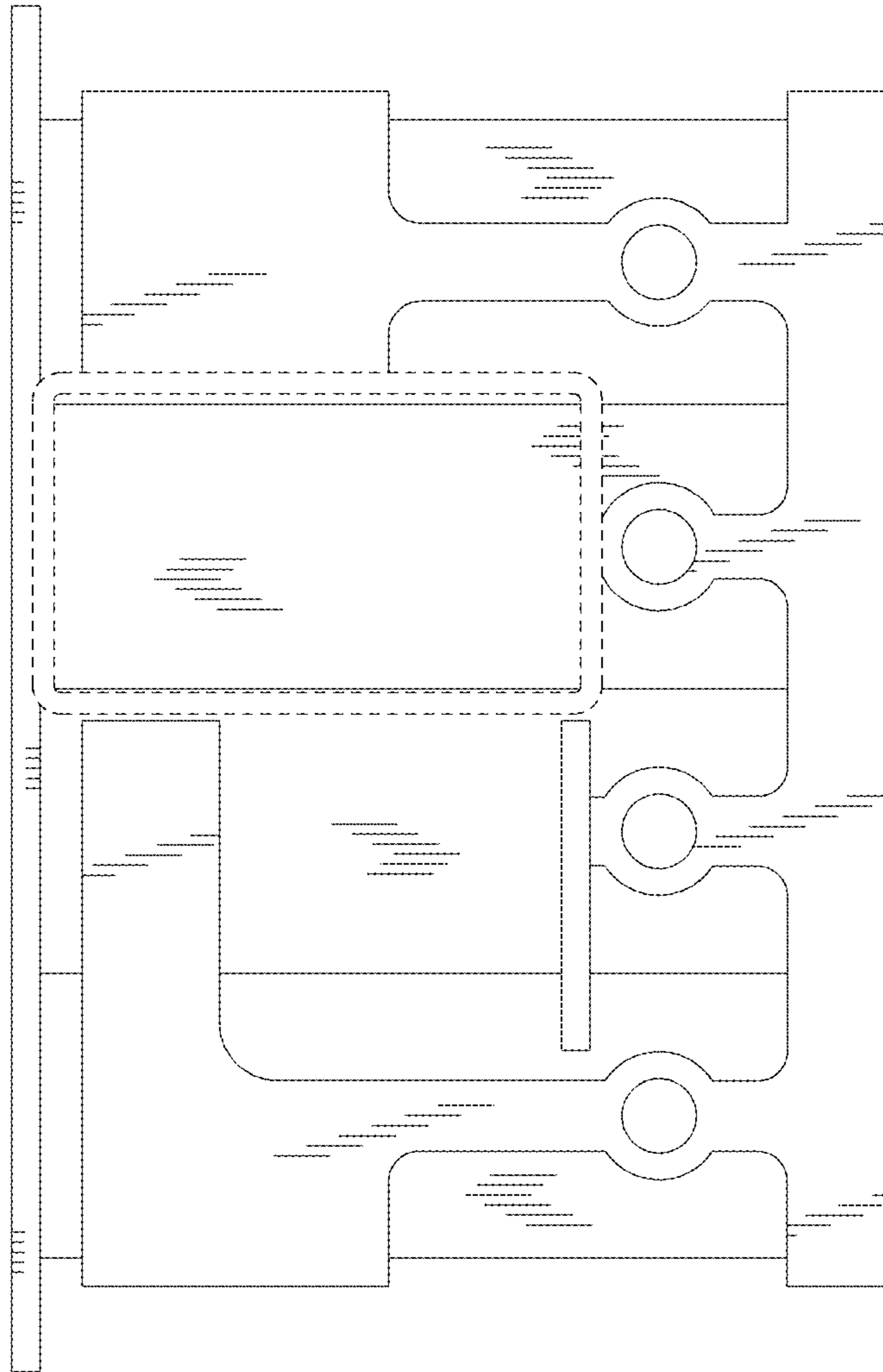


Fig. 6

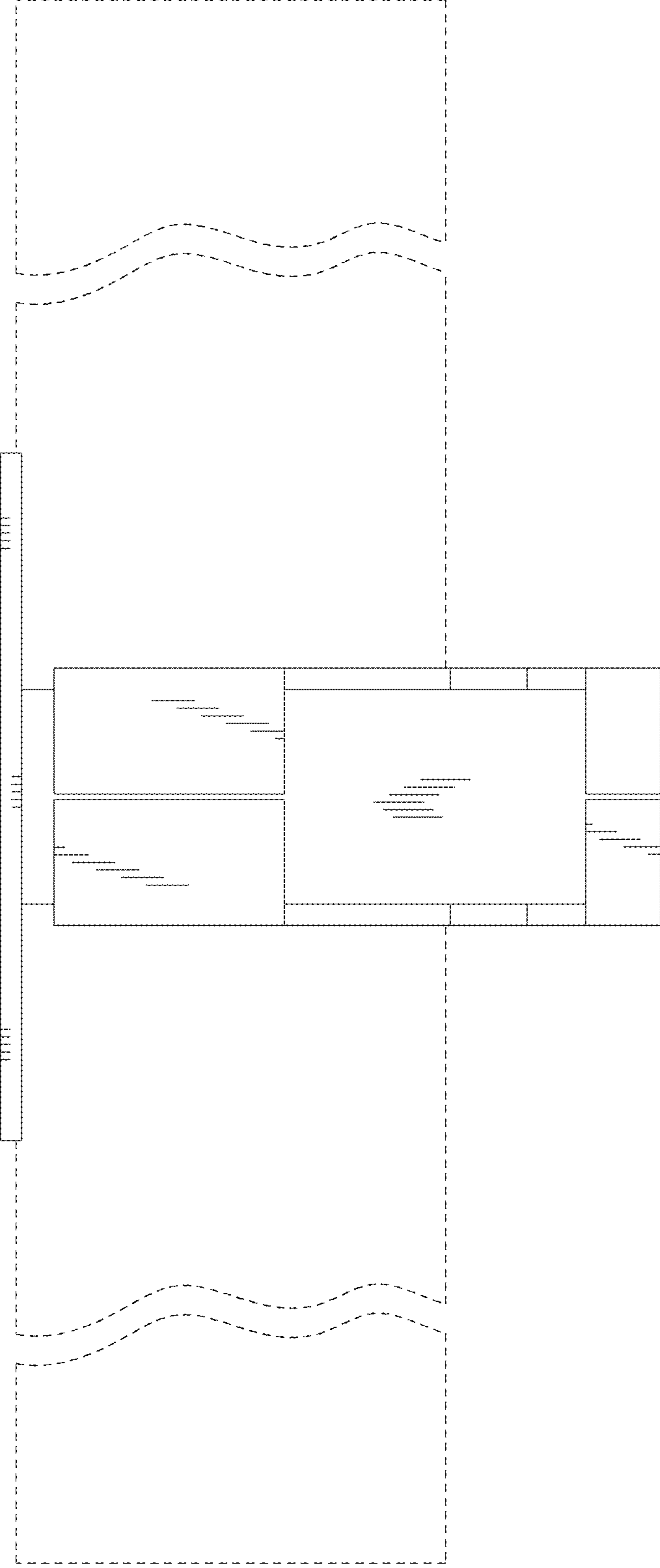


Fig. 7

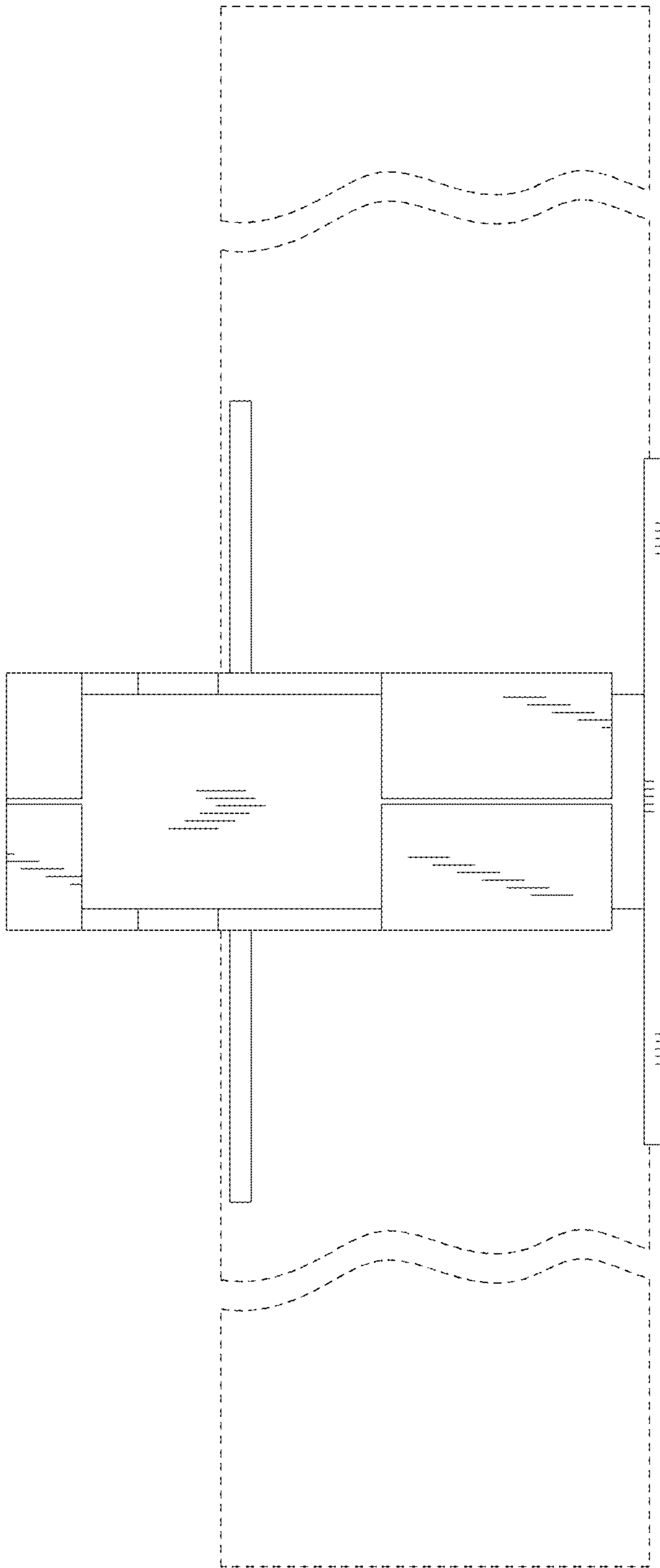


Fig. 8