



US00D894055S

(12) **United States Design Patent**
George et al.

(10) **Patent No.:** **US D894,055 S**
(45) **Date of Patent:** **** Aug. 25, 2020**

(54) **SHOCK ABSORBING HUB ASSEMBLY FOR SUPPORTING A PROPELLER ON A MARINE PROPULSION APPARATUS**

FOREIGN PATENT DOCUMENTS

WO 1996/05101 2/1996

(71) Applicant: **Brunswick Corporation**, Mettawa, IL (US)

OTHER PUBLICATIONS

Flo-Torq II Hub Kit, bblades.com [online]. Published on or before May 4, 2020, [retrieved on May 4, 2020]. Retrieved from the Internet: <URL:https://bblades.com/shop/hub-kits/yamaha/flo-torq-ii-hub-kit-8m0075402-yamaha/> (Year: 2020).*

(72) Inventors: **Trevor George**, Eldorado, WI (US); **Philip R. Walker**, Oshkosh, WI (US); **Daniel J. Guse**, Fond du Lac, WI (US)

(Continued)

(73) Assignee: **Brunswick Corporation**, Mettawa, IL (US)

Primary Examiner — Karen E Kearney

Assistant Examiner — Adam C Mager

(**) Term: **15 Years**

(74) *Attorney, Agent, or Firm* — Andrus Intellectual Property Law, LLP

(21) Appl. No.: **29/662,983**

(57) **CLAIM**

The ornamental design for a shock absorbing hub assembly for supporting a propeller on a marine propulsion apparatus, as shown and described.

(22) Filed: **Sep. 11, 2018**

(51) **LOC (12) Cl.** **12-13**

(52) **U.S. Cl.**
USPC **D12/160; D15/4**

DESCRIPTION

(58) **Field of Classification Search**
USPC D12/101, 106, 159, 160, 214, 300, 304, D12/307, 315, 316, 317, 318; D13/154; D34/24; D15/4
CPC B63H 5/07; B63H 20/14; B63H 23/32; B63H 23/34; B63H 2025/022; B63H 1/20; F16D 3/12

See application file for complete search history.

FIG. 1 is a front perspective view of a first embodiment of a shock absorbing hub assembly for supporting a propeller on a marine propulsion apparatus.
FIG. 2 is a top view thereof.
FIG. 3 is a bottom view thereof.
FIG. 4 is an end view thereof.
FIG. 5 is an opposite end view thereof.
FIG. 6 is a front perspective view of a second embodiment of a shock absorbing hub assembly for supporting a propeller on a marine propulsion apparatus.
FIG. 7 is a top view thereof.
FIG. 8 is a bottom view thereof.
FIG. 9 is an end view thereof; and,
FIG. 10 is an opposite end view thereof.
The broken lines in the drawings illustrate portions of the shock absorbing hub assembly that form no part of the claimed design.

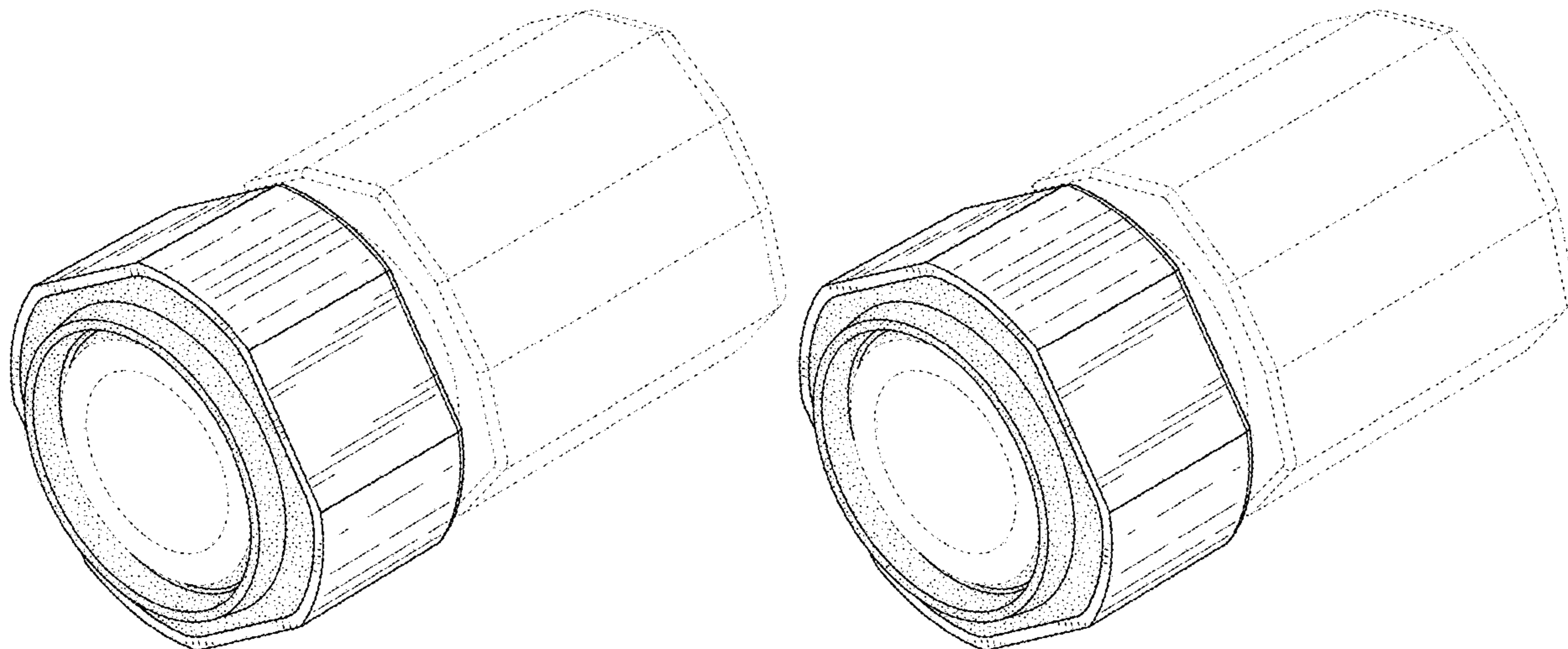
(56) **References Cited**

U.S. PATENT DOCUMENTS

2,751,987 A	6/1956	Kiekhaefer
3,945,874 A	3/1976	Backstrom et al.
4,452,591 A	6/1984	Fishbaugh et al.
4,498,874 A	2/1985	Pichl
4,642,057 A	2/1987	Frazzell et al.
4,900,281 A	2/1990	McCormick

(Continued)

1 Claim, 8 Drawing Sheets



(56)

References Cited

U.S. PATENT DOCUMENTS

5,201,679 A 4/1993 Velte, Jr. et al.
 5,244,348 A * 9/1993 Karls B63H 23/34
 416/134 R
 5,252,028 A * 10/1993 LoBosco B63H 1/20
 416/134 R
 5,322,416 A 6/1994 Karls et al.
 5,484,264 A 1/1996 Karls et al.
 5,630,704 A 5/1997 Gilgenbach et al.
 6,383,042 B1 * 5/2002 Neisen B63H 1/20
 416/134 R
 6,478,543 B1 * 11/2002 Tuchscherer B63H 23/34
 416/134 R
 7,086,836 B1 * 8/2006 Sheth B63H 23/34
 416/134 R
 7,637,792 B1 12/2009 Davis et al.
 7,717,678 B2 * 5/2010 Chen B63H 1/14
 416/134 R
 8,277,269 B1 10/2012 Alby et al.
 D807,794 S * 1/2018 Guse D12/159

D807,795 S * 1/2018 Guse D12/159
 10,207,781 B2 * 2/2019 Ito B63H 1/15
 10,336,419 B1 * 7/2019 Guse B63H 20/22
 2009/0075535 A1 * 3/2009 Lin B63H 23/34
 440/64
 2017/0210456 A1 * 7/2017 Lin B63H 20/26
 2019/0061892 A1 * 2/2019 Choi B63H 1/20

OTHER PUBLICATIONS

Mercury Marine Flo-Torq II Hub, www.westmarine.com [online].
 Published on or before May 4, 2020, [retrieved on May 4, 2020].
 Retrieved from the Internet: <URL:https://www.westmarine.com/
 buy/mercury-marine--flo-torq-ii-hub-kit-suzuki-60-70-hp-4-stroke-
 75-140-2-stroke-ob-prop-series-a--4743969> (Year: 2020).*
 Solas propellers Rubex Kit Shock Absorber, www.amazon.com
 [online]. Published on or before May 4, 2020, [retrieved on May 4,
 2020]. Retrieved from the Internet: <URL:https://www.amazon.
 com/Solas-propellers-Rubex-Shock-Absorber/dp/B003C7YFW2>
 (Year: 2020).*

* cited by examiner

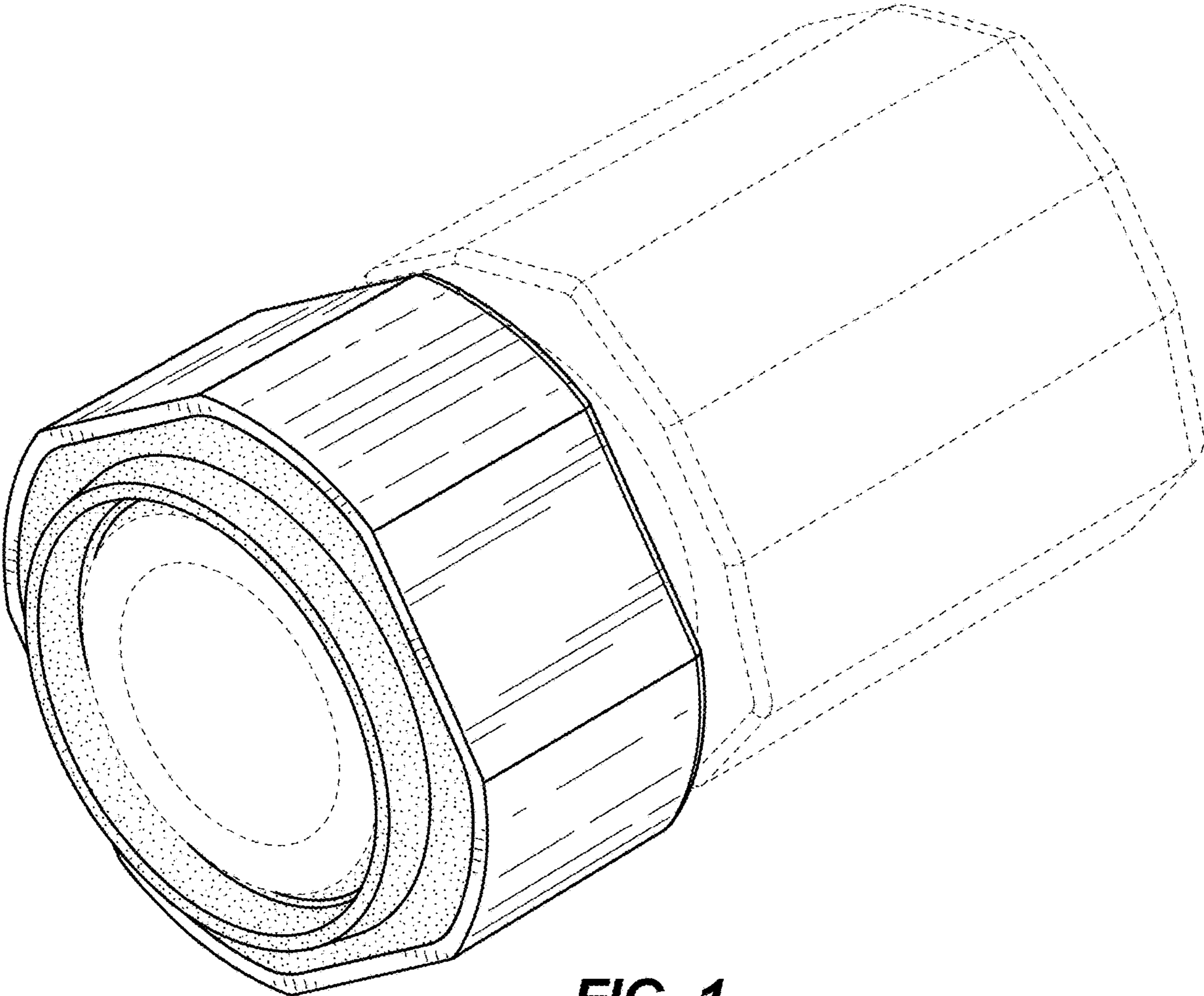


FIG. 1

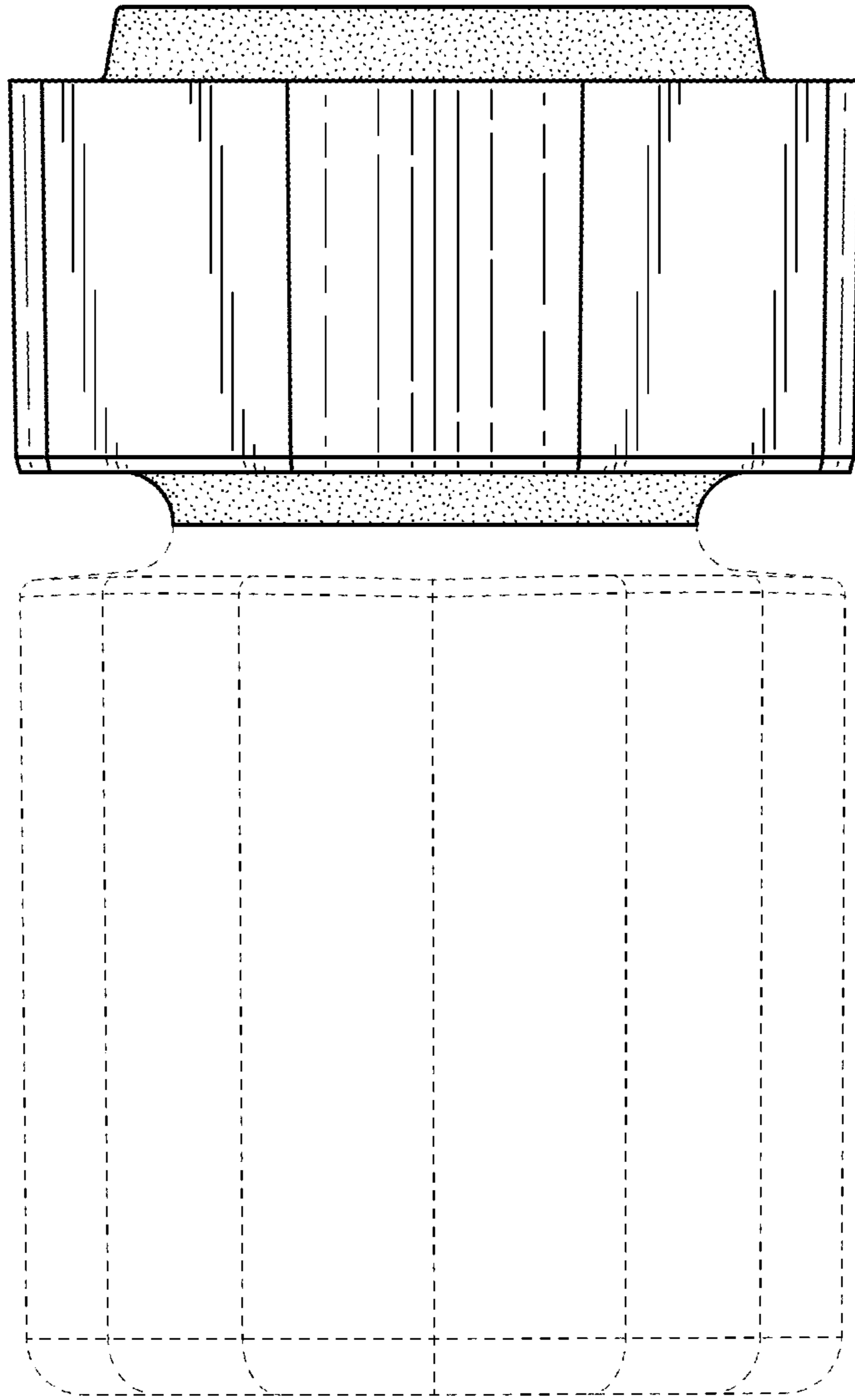


FIG. 2

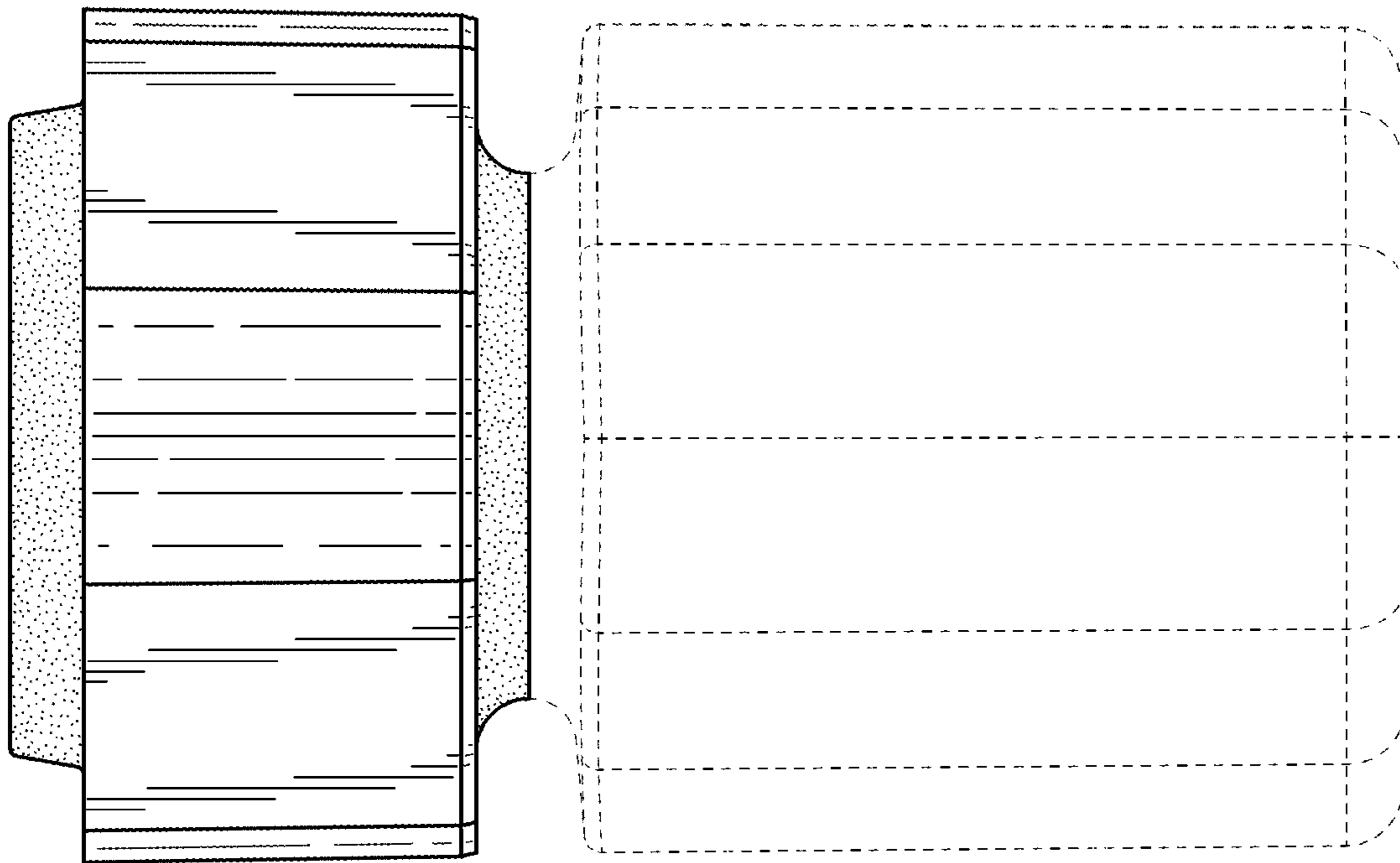


FIG. 3

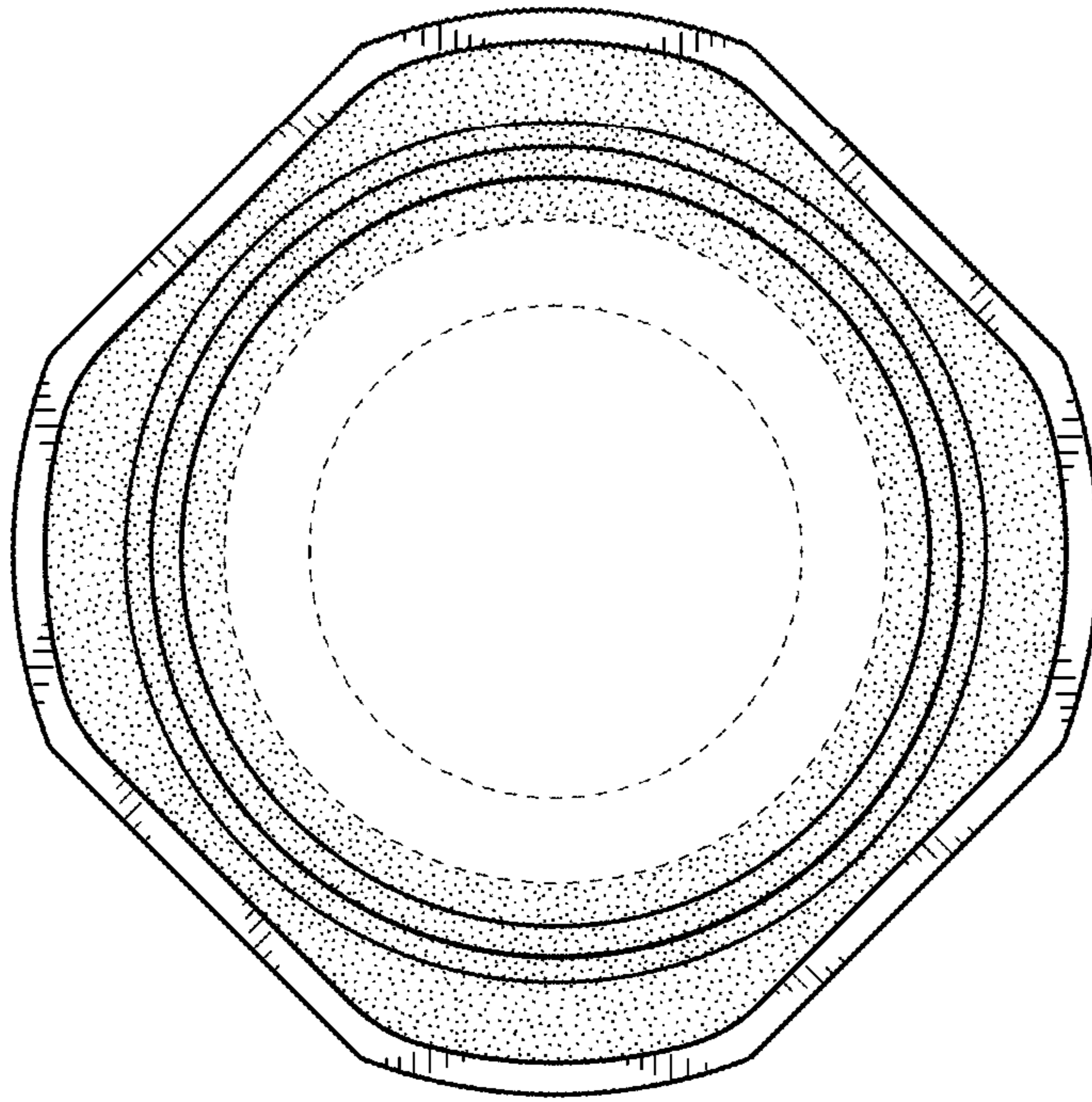


FIG. 4

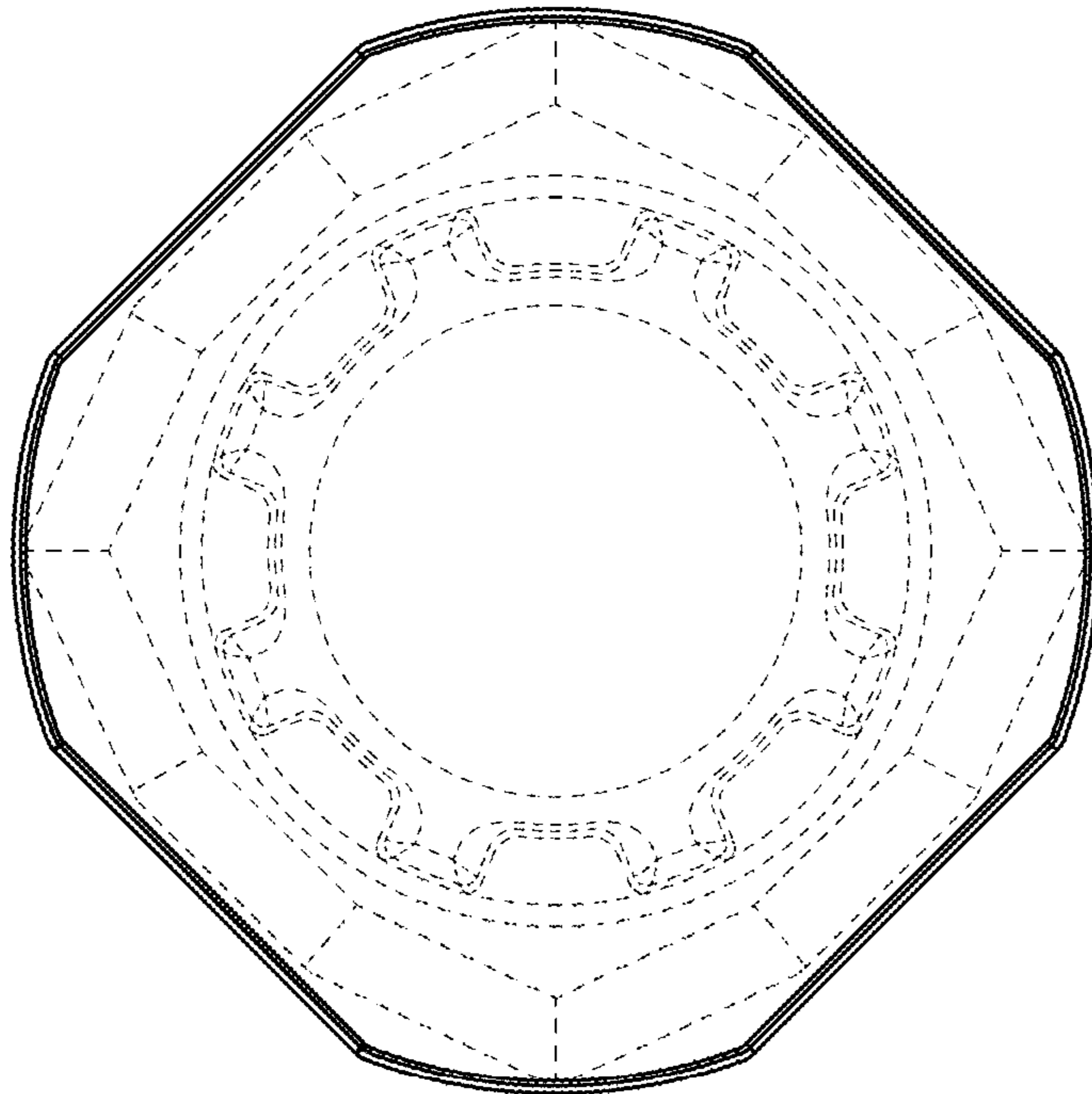


FIG. 5

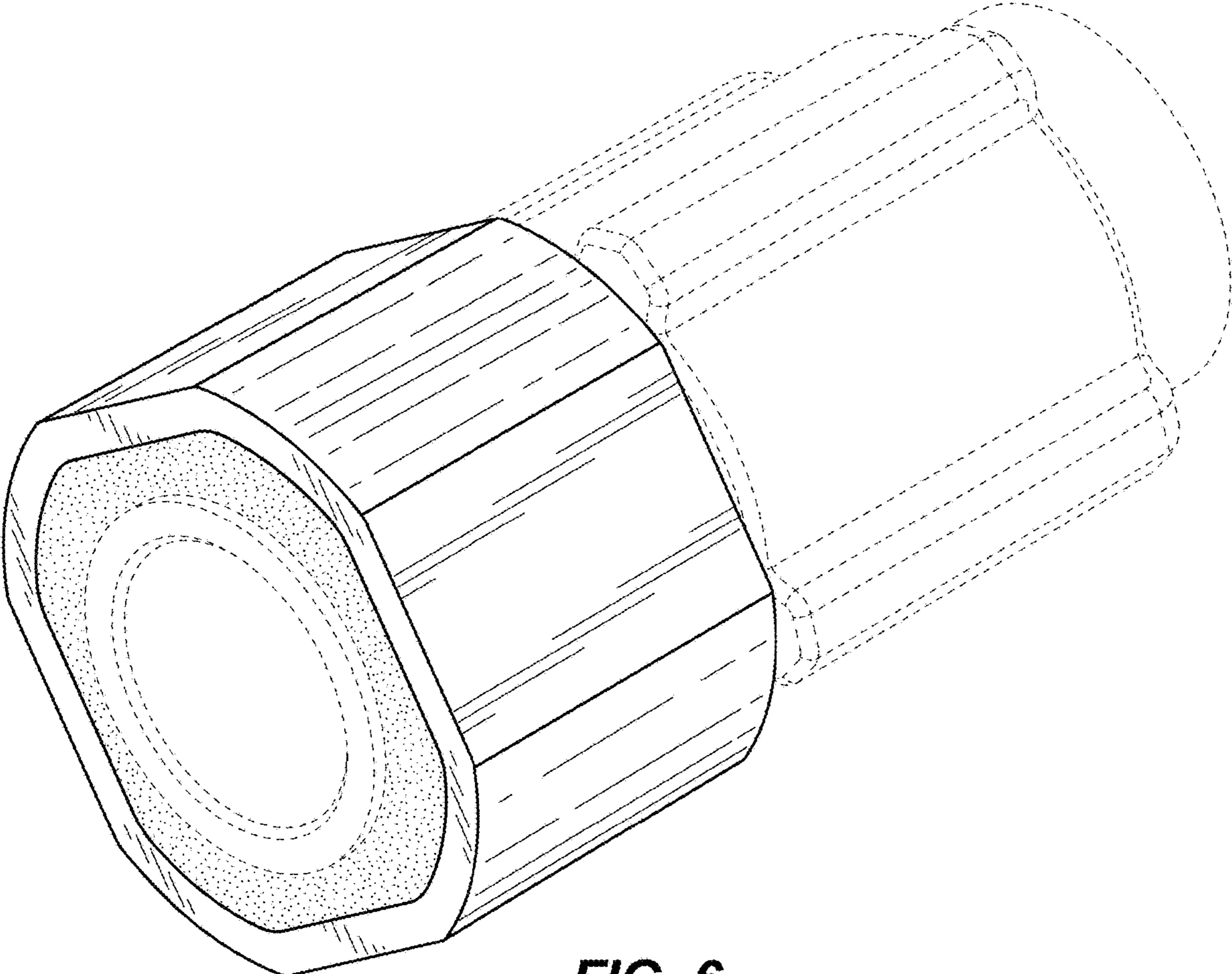


FIG. 6

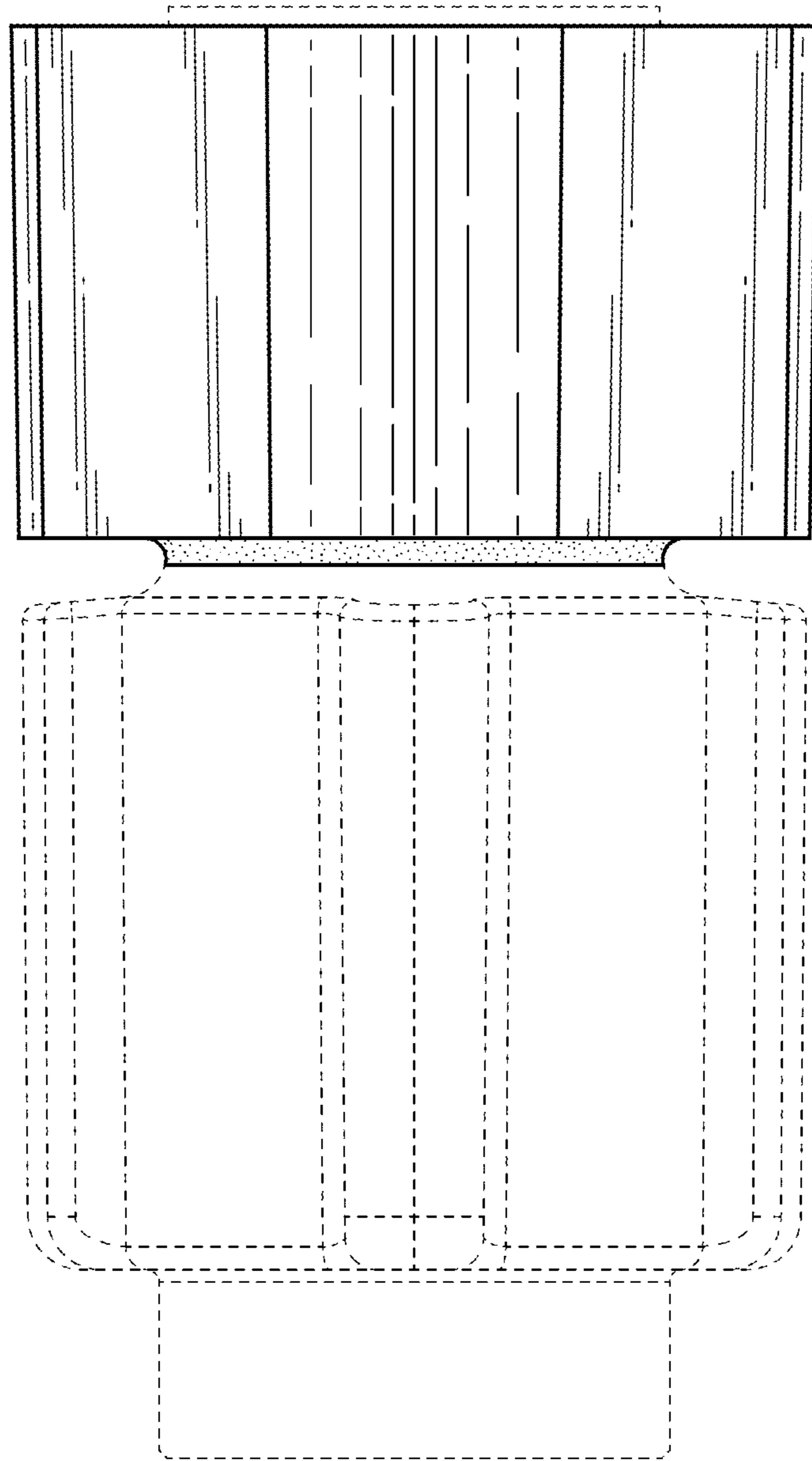


FIG. 7

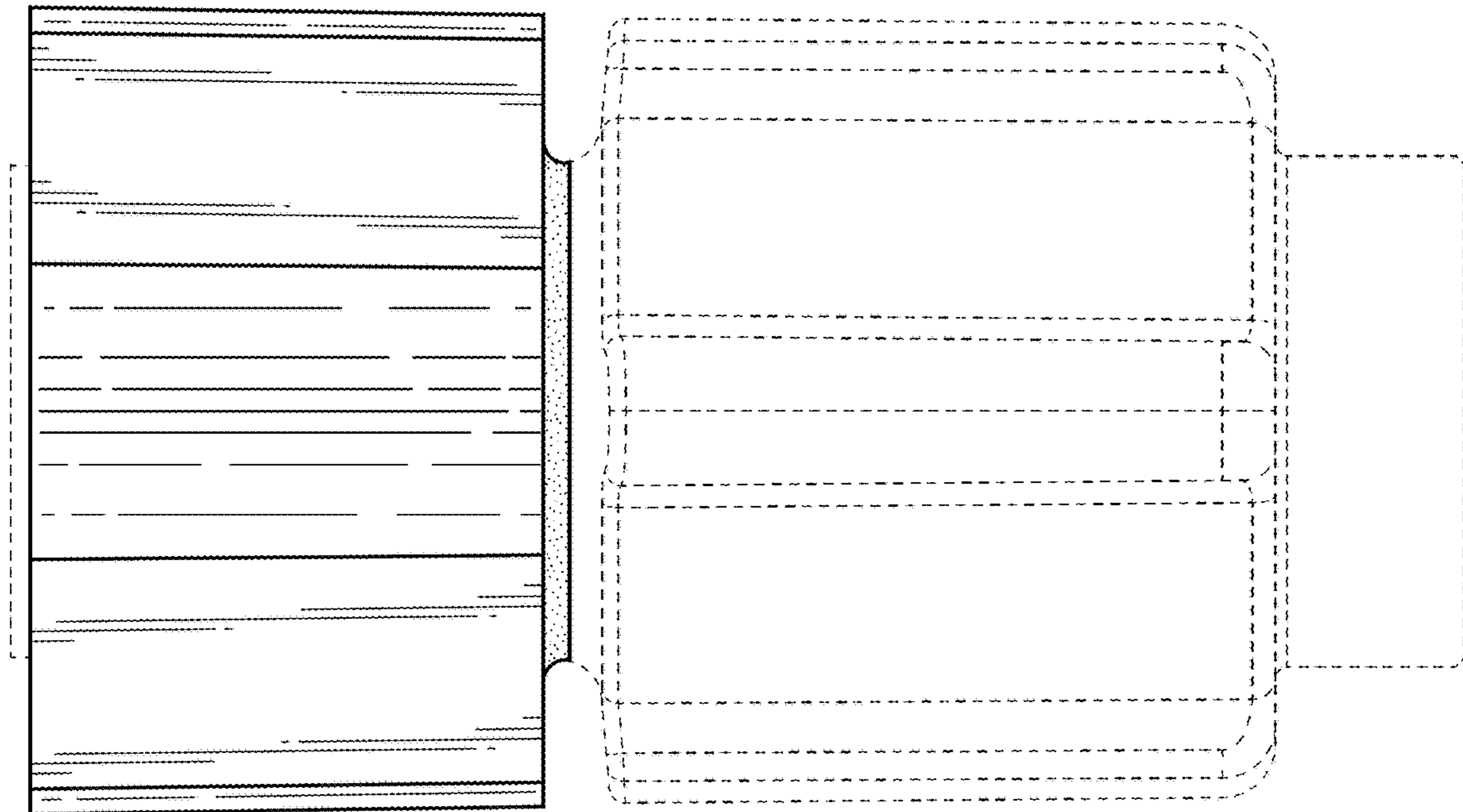


FIG. 8

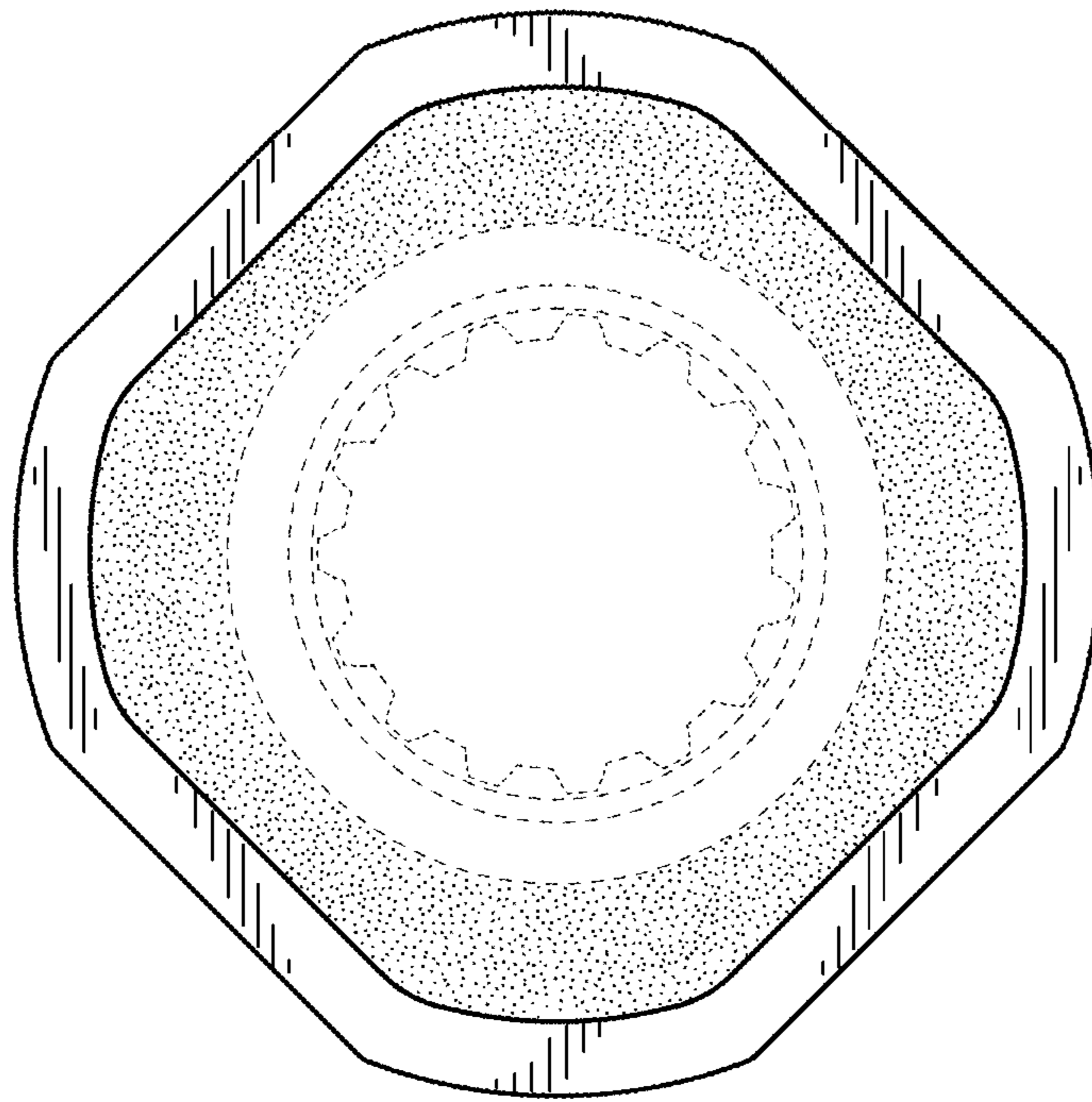


FIG. 9

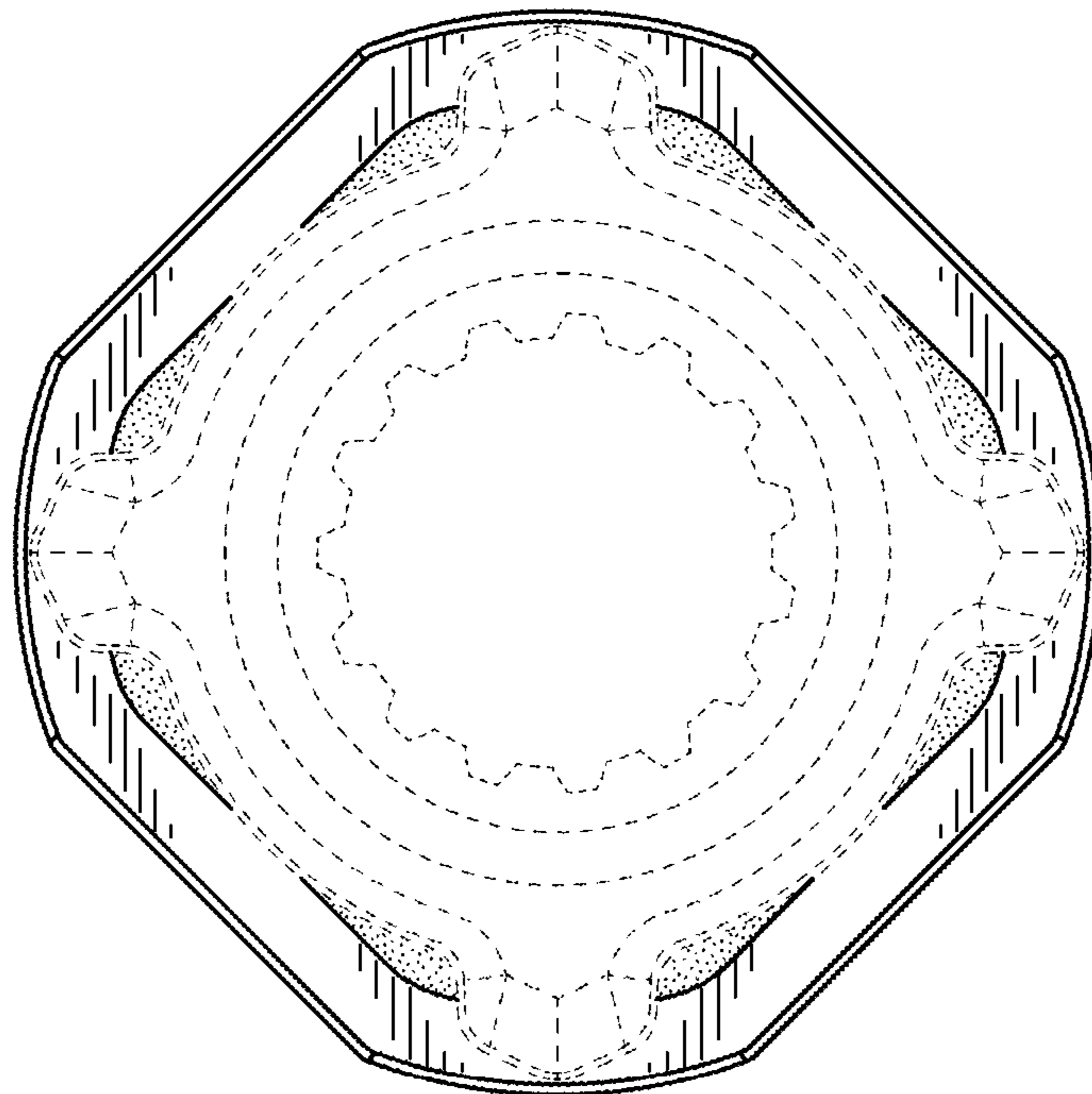


FIG. 10