

US00D894050S

(12) **United States Design Patent** (10) **Patent No.:** **US D894,050 S**
Eyler et al. (45) **Date of Patent:** **** Aug. 25, 2020**

(54) **FENDER WITH INTEGRATED LOCK**
(71) Applicant: **Lyft, Inc.**, San Francisco, CA (US)
(72) Inventors: **Ethan Duncan Eyler**, San Francisco, CA (US); **Alejandro Salvador Garcia**, San Francisco, CA (US); **Peter Rex Luedtke**, New York City, NY (US); **Jesse Jones McMillin**, San Francisco, CA (US); **Rasmus Breitholtz**, San Francisco, CA (US); **Stijn Jagers**, San Francisco, CA (US); **Sang Ik Lee**, San Francisco, CA (US); **Zachary London**, San Francisco, CA (US); **Victoria Slaker**, San Francisco, CA (US)

(73) Assignee: **Lyft, Inc.**, San Francisco, CA (US)

(**) Term: **15 Years**

(21) Appl. No.: **29/679,801**

(22) Filed: **Feb. 10, 2019**

(51) **LOC (12) Cl.** **12-11**

(52) **U.S. Cl.**
USPC **D12/114**

(58) **Field of Classification Search**
USPC D12/114, 111, 117, 126, 181, 186;
D8/330, 331, 333, 334, 339, 343
CPC B62H 5/003; B62H 5/00; B62H 2003/005
See application file for complete search history.

(56) **References Cited**

U.S. PATENT DOCUMENTS

D267,470 S *	1/1983	Scherbing	D8/333
D376,568 S *	12/1996	Davidson	D12/126
D390,771 S *	2/1998	Egger	D8/333
5,718,134 A *	2/1998	Chang	B62H 5/003 70/18
6,016,673 A *	1/2000	McDaid	B62H 5/003 224/451

6,406,049 B1 *	6/2002	Jimison	B62J 3/00 116/56
6,430,973 B1 *	8/2002	Huang	B62H 5/003 70/18
7,131,298 B1 *	11/2006	Haraughty	B62H 5/003 70/18
D704,033 S *	5/2014	Davidson	D8/330
D731,288 S *	6/2015	McKechnie	D8/330
D769,103 S *	10/2016	Loughlin	D8/333
D789,836 S *	6/2017	Gouin	D12/111
D809,895 S *	2/2018	Frantz	B60R 11/02 D8/330
D830,811 S *	10/2018	Frantz	D8/330
2015/0158553 A1 *	6/2015	Moore	B62M 25/02 24/129 R
2016/0194905 A1 *	7/2016	Edell	E05B 71/00 70/15

* cited by examiner

Primary Examiner — Michelle E. Wilson

Assistant Examiner — Clese Moore, Jr.

(74) *Attorney, Agent, or Firm* — Haynes and Boone, LLP

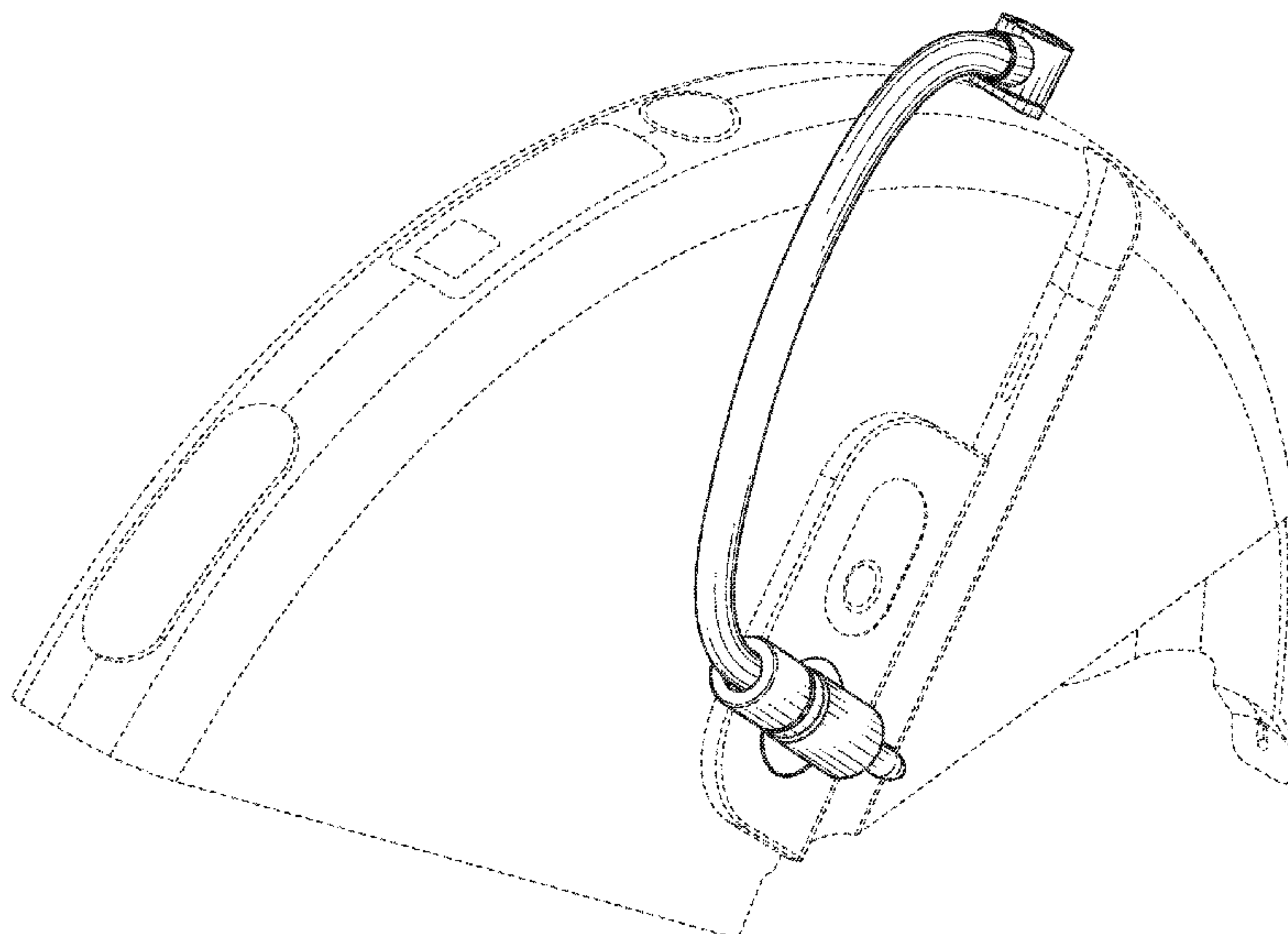
(57) **CLAIM**

The ornamental design for a fender with integrated lock, as shown and described.

DESCRIPTION

FIG. 1 is a perspective view of a fender with an integrated lock;
FIG. 2 is a right view thereof;
FIG. 3 is a left view thereof;
FIG. 4 is a rear view thereof;
FIG. 5 is a top view thereof;
FIG. 6 is a bottom view thereof;
FIG. 7 is a front view thereof; and,
FIG. 8 is a perspective view of a fender with an integrated lock and environmental structure.
The broken lines are included for the purpose of showing environmental portions of the fender with an integrated lock and form no part of the claimed design.

1 Claim, 6 Drawing Sheets



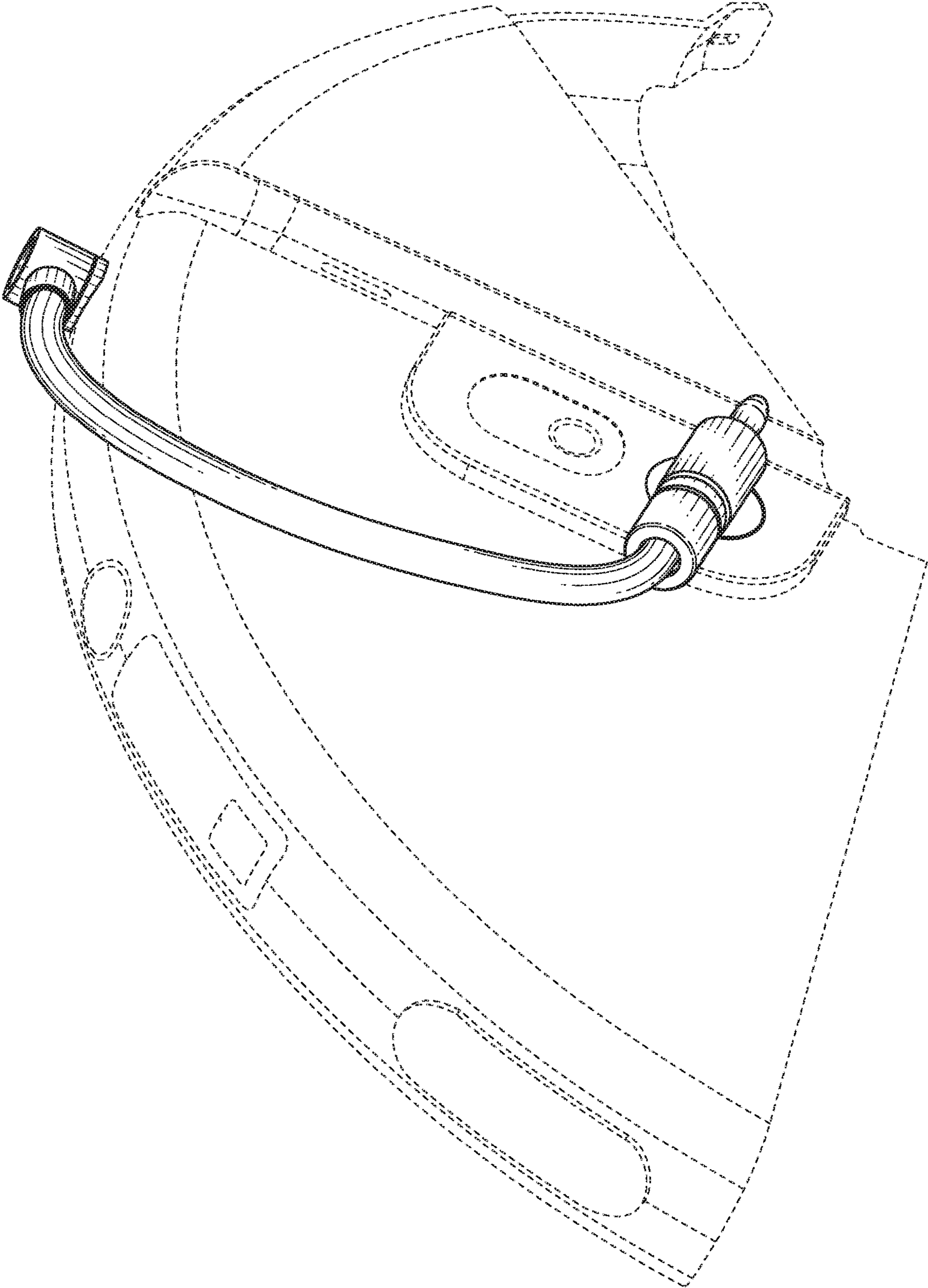


FIG. 1

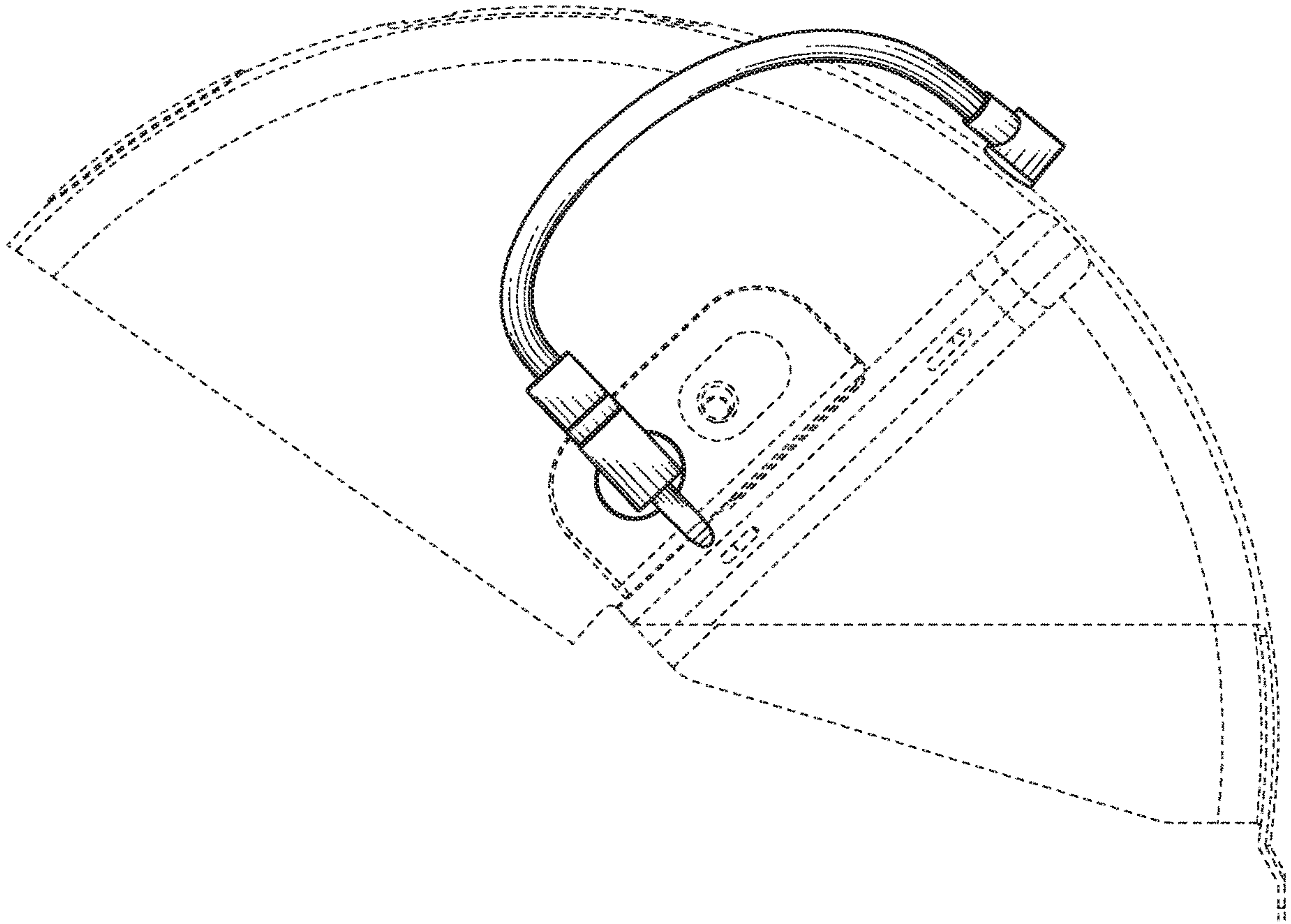


FIG. 2

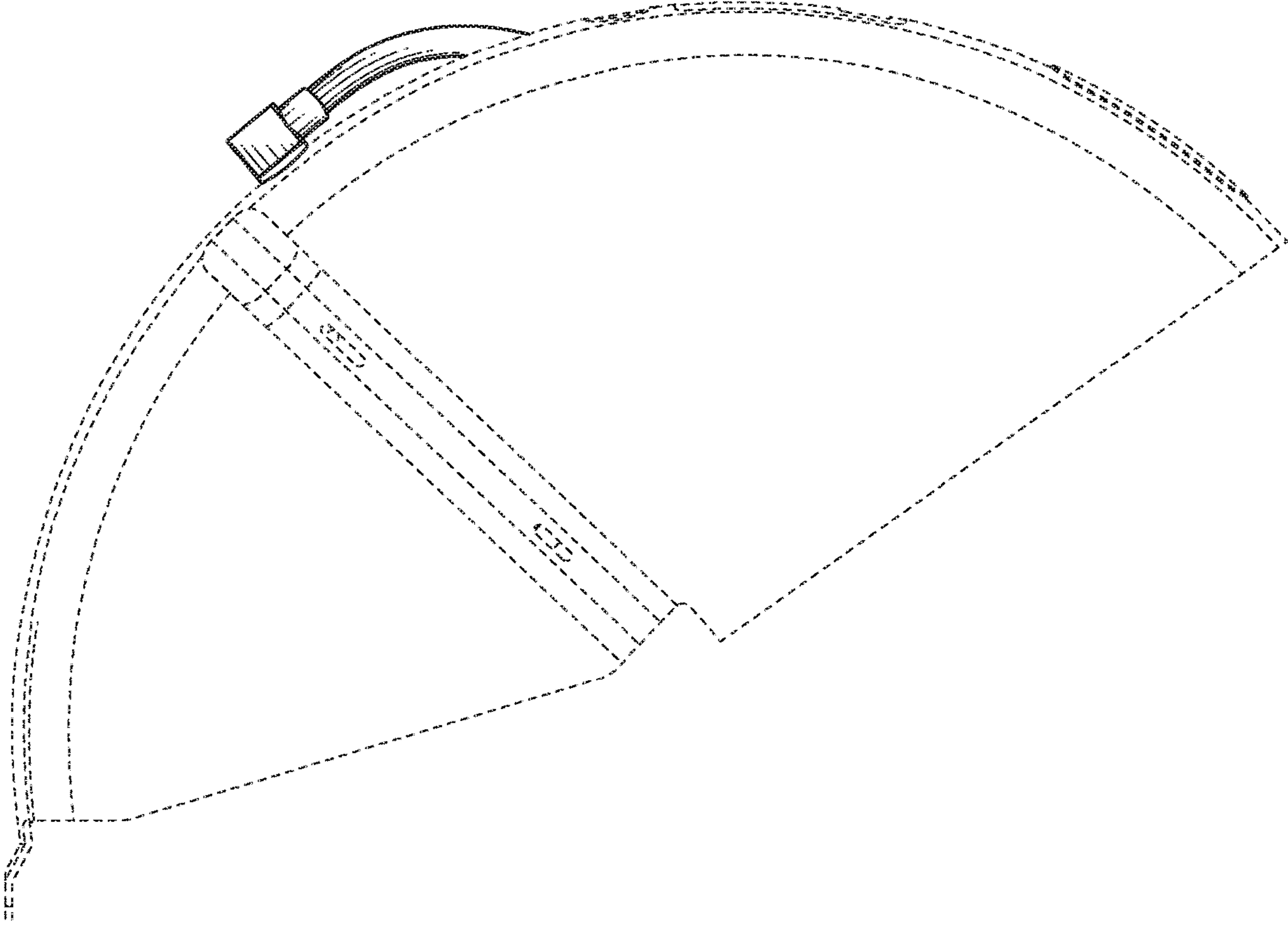


FIG. 3

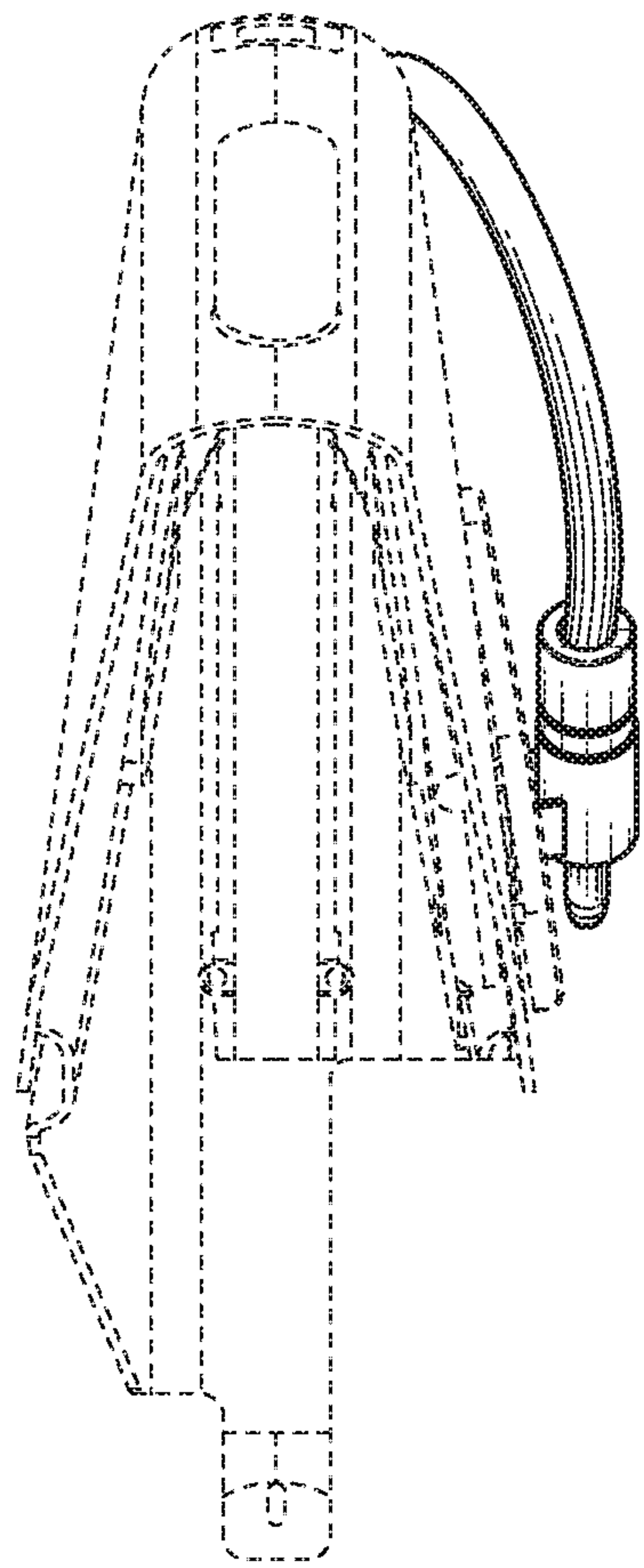


FIG. 4

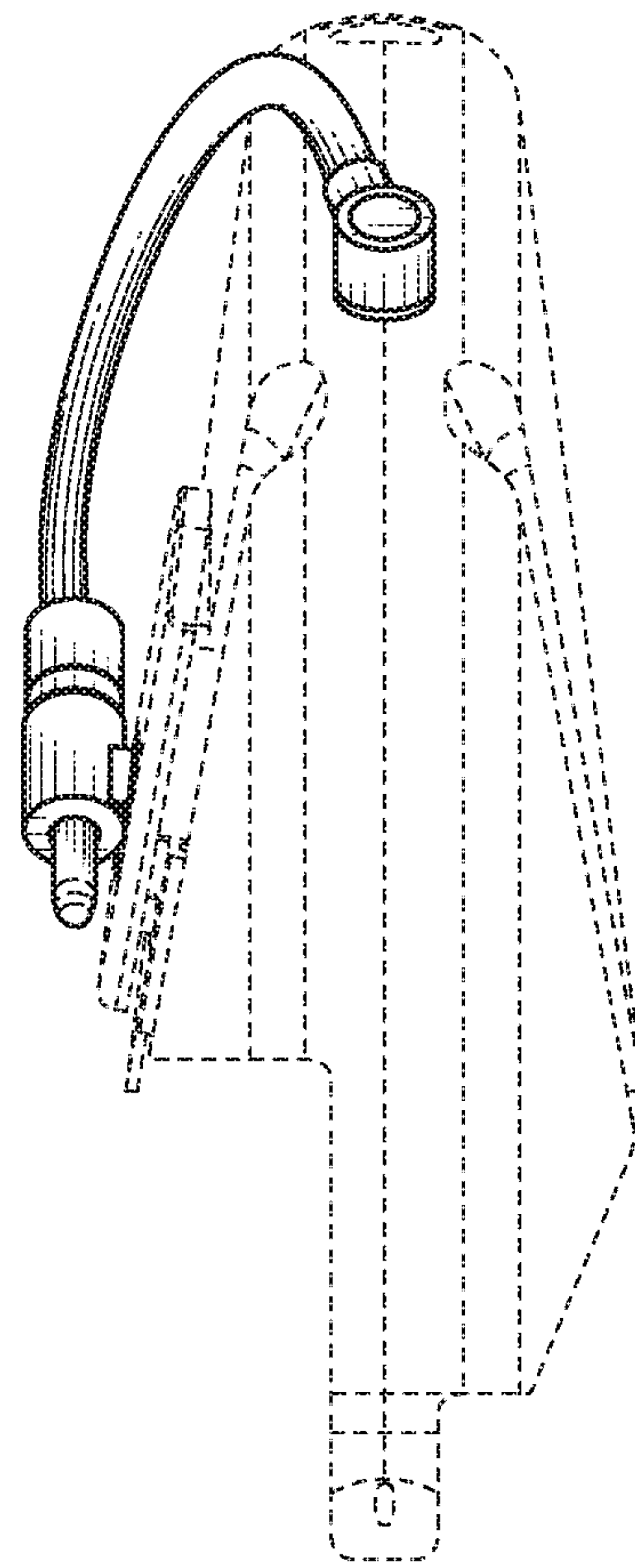


FIG. 5

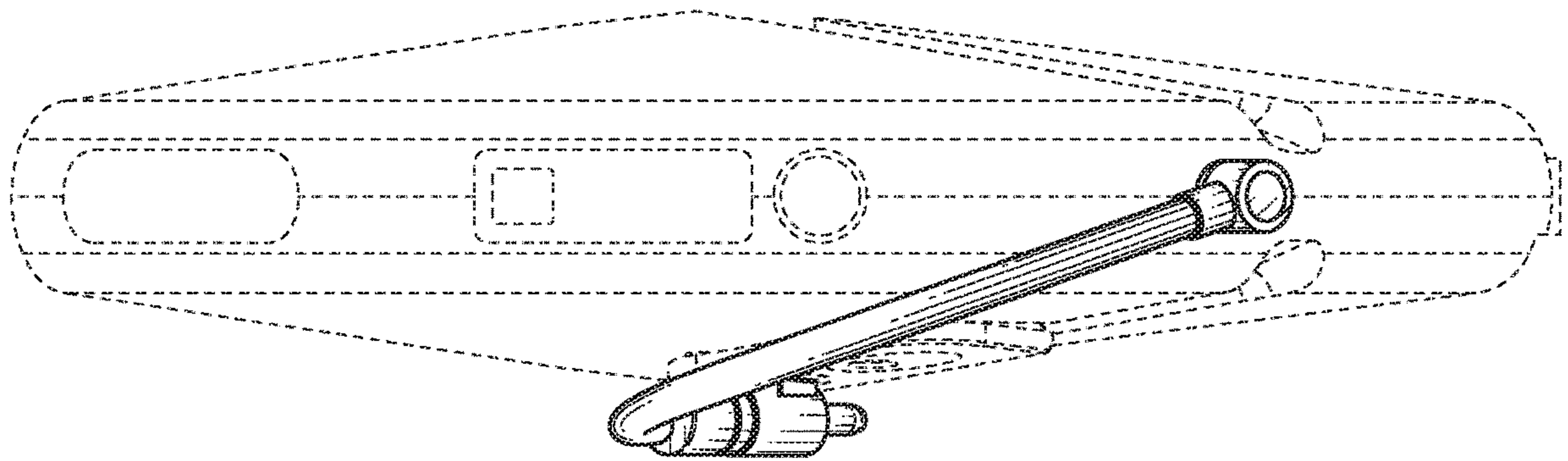


FIG. 6

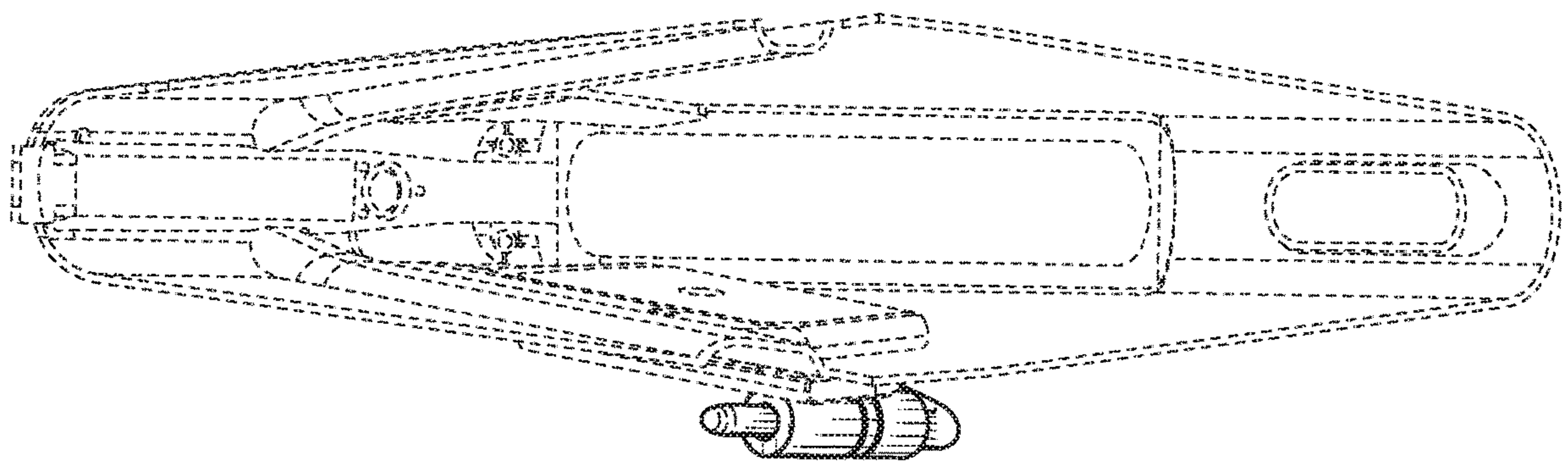


FIG. 7

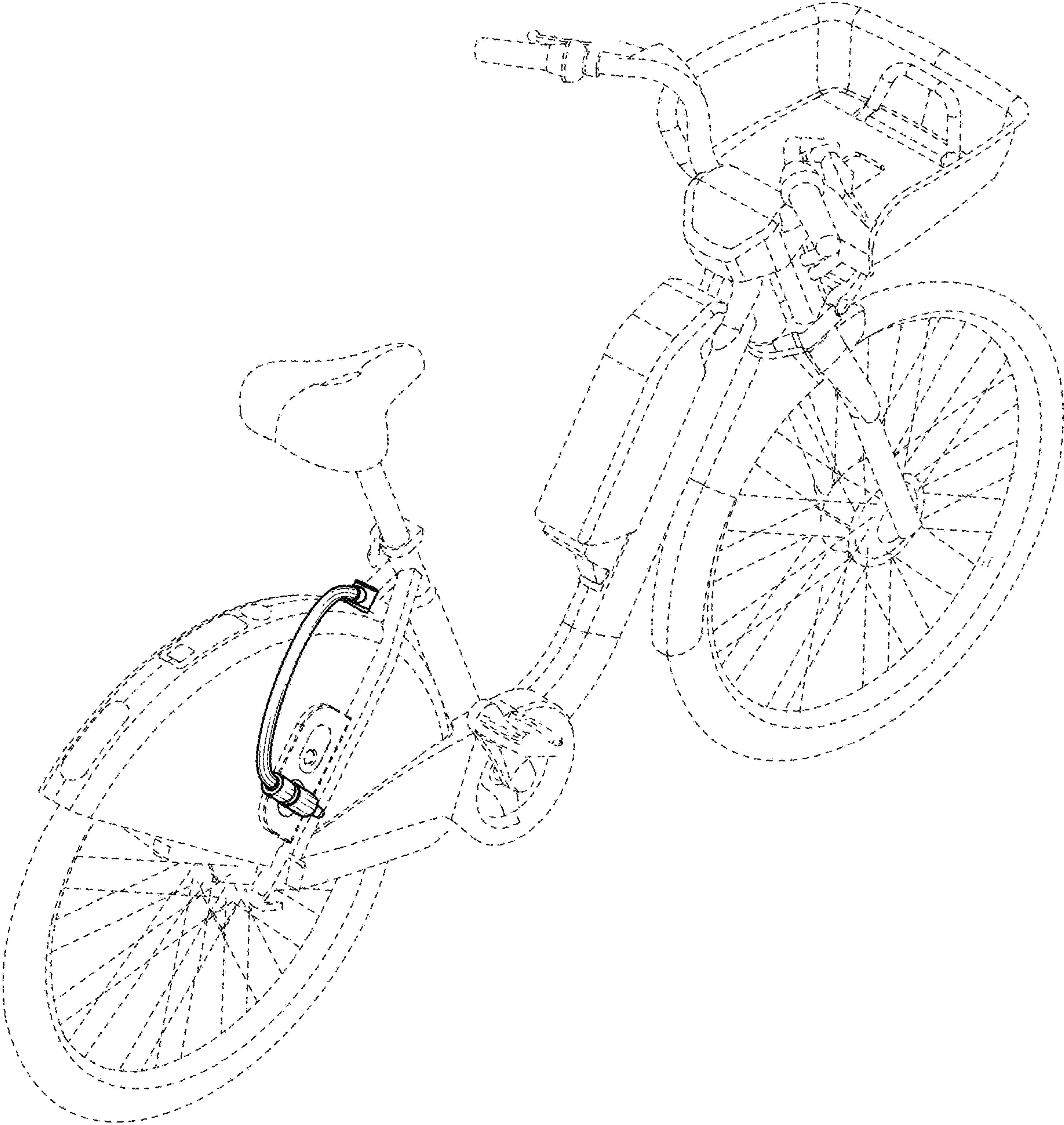


FIG. 8