



US00D894049S

(12) **United States Design Patent**
Eyler et al.

(10) **Patent No.:** **US D894,049 S**

(45) **Date of Patent:** **** Aug. 25, 2020**

(54) **FENDER AND WHEEL WITH INTEGRATED LOCK**

(71) Applicant: **Lyft, Inc.**, San Francisco, CA (US)

(72) Inventors: **Ethan Duncan Eyler**, San Francisco, CA (US); **Alejandro Salvador Garcia**, San Francisco, CA (US); **Peter Rex Luedtke**, New York City, NY (US); **Jesse Jones McMillin**, San Francisco, CA (US); **Rasmus Breitholtz**, San Francisco, CA (US); **Stijn Jagers**, San Francisco, CA (US); **Sang Ik Lee**, San Francisco, CA (US); **Zachary London**, San Francisco, CA (US); **Victoria Slaker**, San Francisco, CA (US)

(73) Assignee: **Lyft, Inc.**, San Francisco, CA (US)

(**) Term: **15 Years**

(21) Appl. No.: **29/679,800**

(22) Filed: **Feb. 10, 2019**

(51) **LOC (12) Cl.** **12-11**

(52) **U.S. Cl.**
USPC **D12/114**

(58) **Field of Classification Search**
USPC D12/114, 111, 117, 126, 181, 186, 205,
D12/501, 534; D8/330, 331, 333, 334,
D8/339, 343
CPC B62J 15/00; B62J 15/02; B62H 5/003;
B62H 5/00
See application file for complete search history.

(56) **References Cited**

U.S. PATENT DOCUMENTS

D158,652 S * 5/1950 Dailey D12/186
D267,470 S * 1/1983 Scherbing D8/333

5,494,337 A * 2/1996 Behnke B60B 1/041
301/104
D376,568 S * 12/1996 Davidson D12/126
D390,771 S * 2/1998 Egger D8/333
6,406,049 B1 * 6/2002 Jimison B62J 3/00
116/56
D612,781 S * 3/2010 Harrell, Jr. D12/186
D634,249 S * 3/2011 Dallaire D12/186
D730,779 S * 6/2015 Arbour D12/111
D730,781 S * 6/2015 Arbour D12/111
D736,142 S * 8/2015 Delhommeau D12/534
D766,163 S * 9/2016 Hwangbo D12/534
D775,572 S * 1/2017 Magnusson D12/205
D789,836 S * 6/2017 Gouin D12/111

(Continued)

Primary Examiner — Michelle E. Wilson

Assistant Examiner — Clese Moore, Jr.

(74) *Attorney, Agent, or Firm* — Haynes and Boone, LLP

(57) **CLAIM**

The ornamental design for a fender and wheel with integrated lock, as shown and described.

DESCRIPTION

The patent or application file contains at least one drawing executed in color. Copies of this patent or patent application publication with color drawing(s) will be provided by the Office upon request and payment of the necessary fee.

FIG. 1 is a perspective view of a fender and wheel with an integrated lock;

FIG. 2 is a right view thereof;

FIG. 3 is a left view thereof;

FIG. 4 is a rear view thereof;

FIG. 5 is a top view thereof;

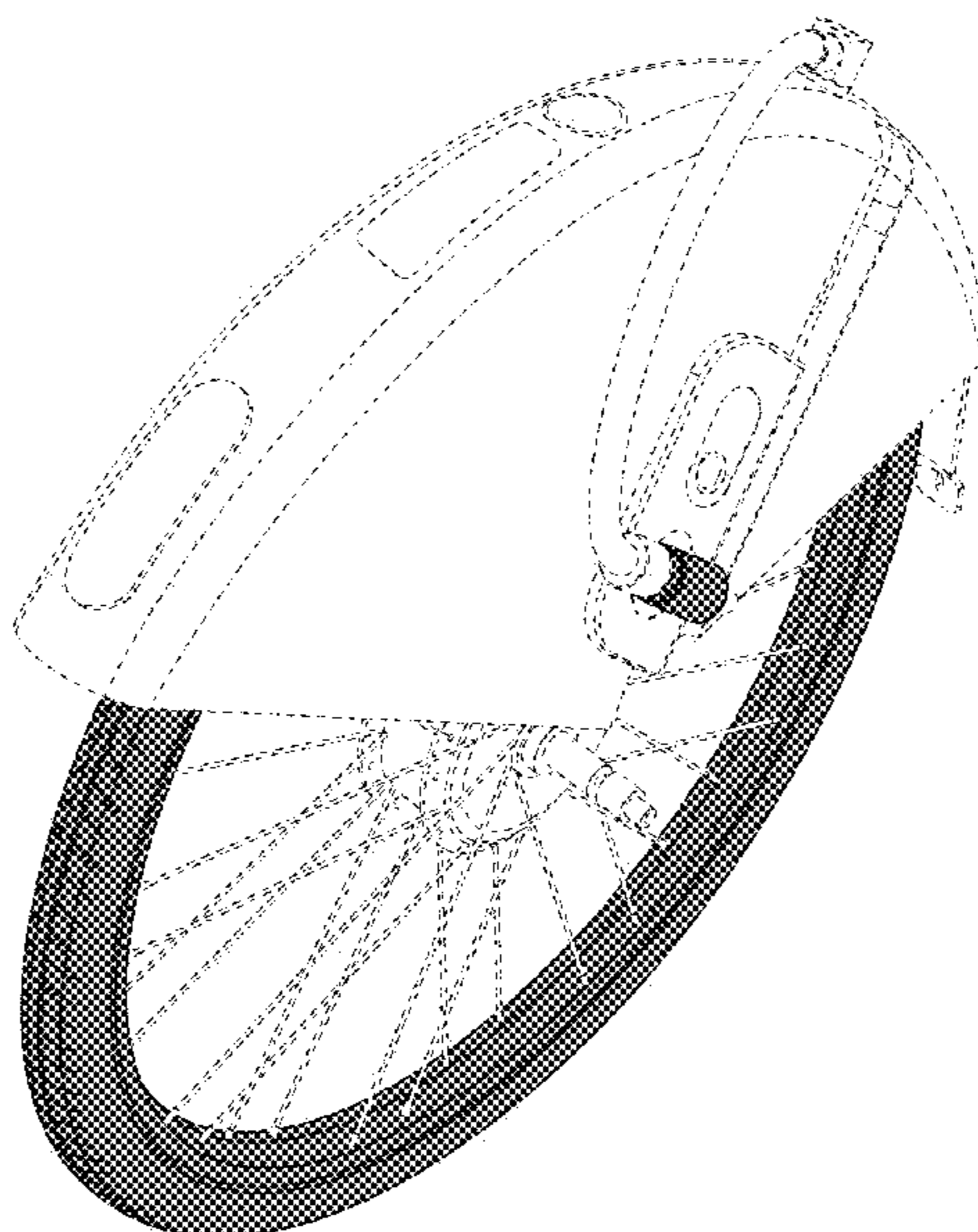
FIG. 6 is a bottom view thereof; and,

FIG. 7 is a front view thereof.

The broken lines are included for the purpose of showing environmental portions of the fender and wheel with an integrated lock and form no part of the claimed design.

1 Claim, 5 Drawing Sheets

(5 of 5 Drawing Sheet(s) Filed in Color)



(56)

References Cited

U.S. PATENT DOCUMENTS

D809,895 S * 2/2018 Frantz B60R 11/02
D8/330
D813,768 S * 3/2018 Serotta D12/186
D830,811 S * 10/2018 Frantz D8/330
D846,471 S * 4/2019 Jang D12/205
2003/0116937 A1* 6/2003 Blythe B62J 15/00
280/152.1
2014/0154660 A1* 6/2014 Goldwater G09B 25/00
434/401
2015/0158553 A1* 6/2015 Moore B62M 25/02
24/129 R
2015/0306907 A1* 10/2015 Granieri B60B 21/08
301/6.9
2016/0194905 A1* 7/2016 Edell E05B 71/00
70/15

* cited by examiner

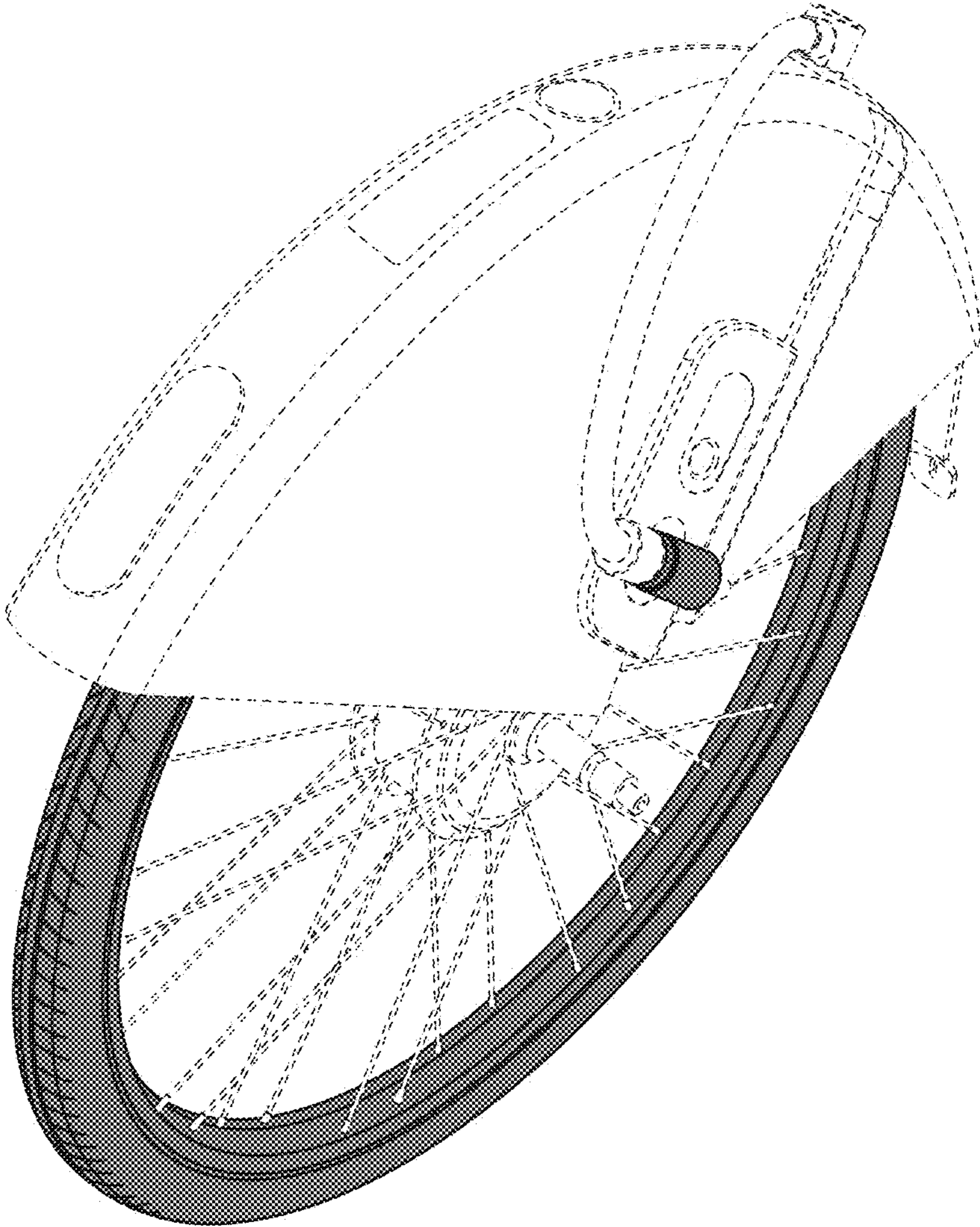


FIG. 1

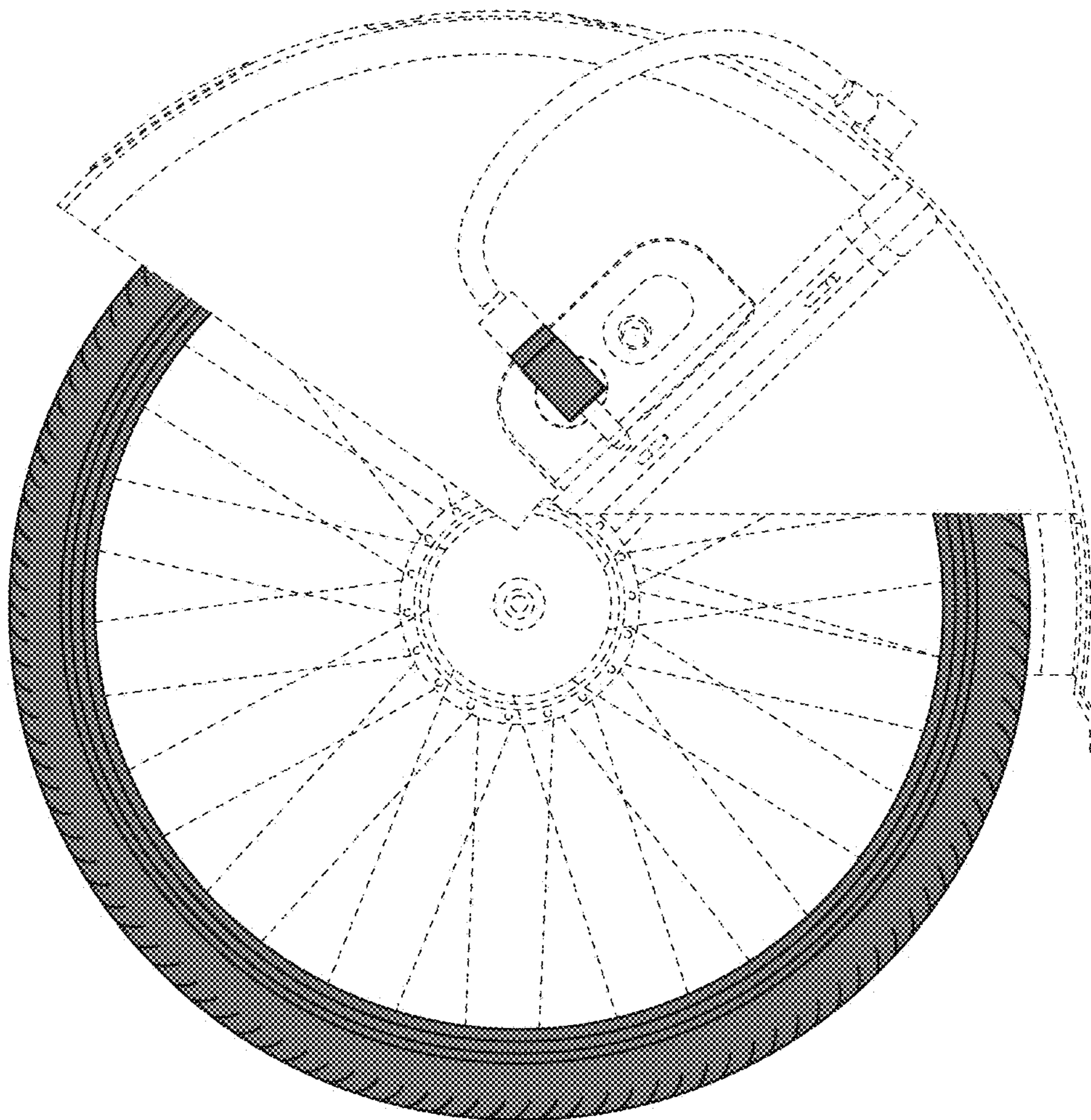


FIG. 2

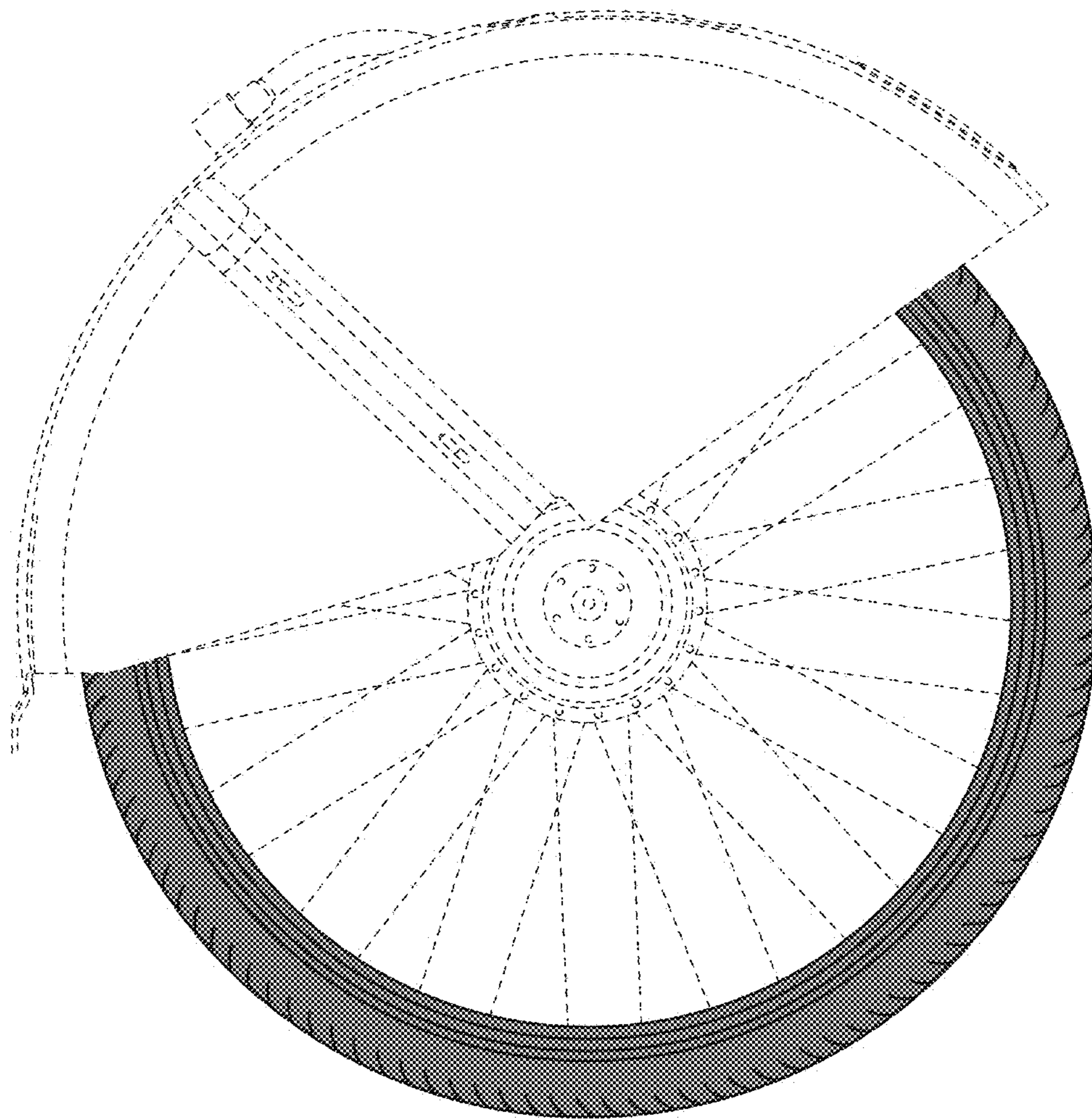


FIG. 3

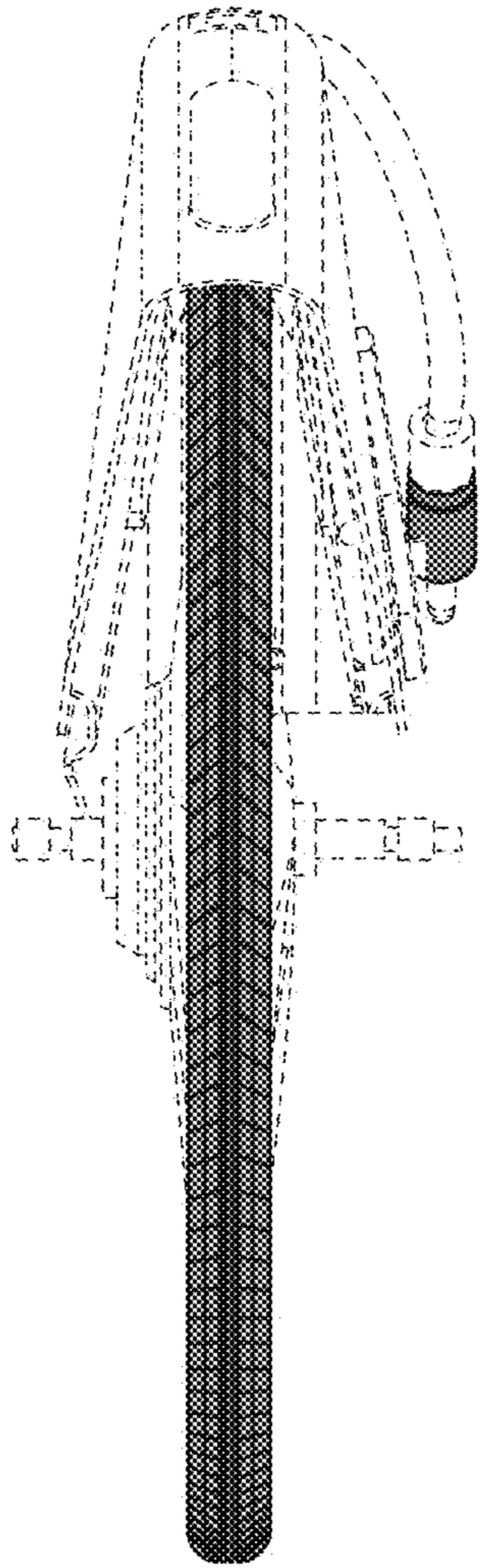


FIG. 4

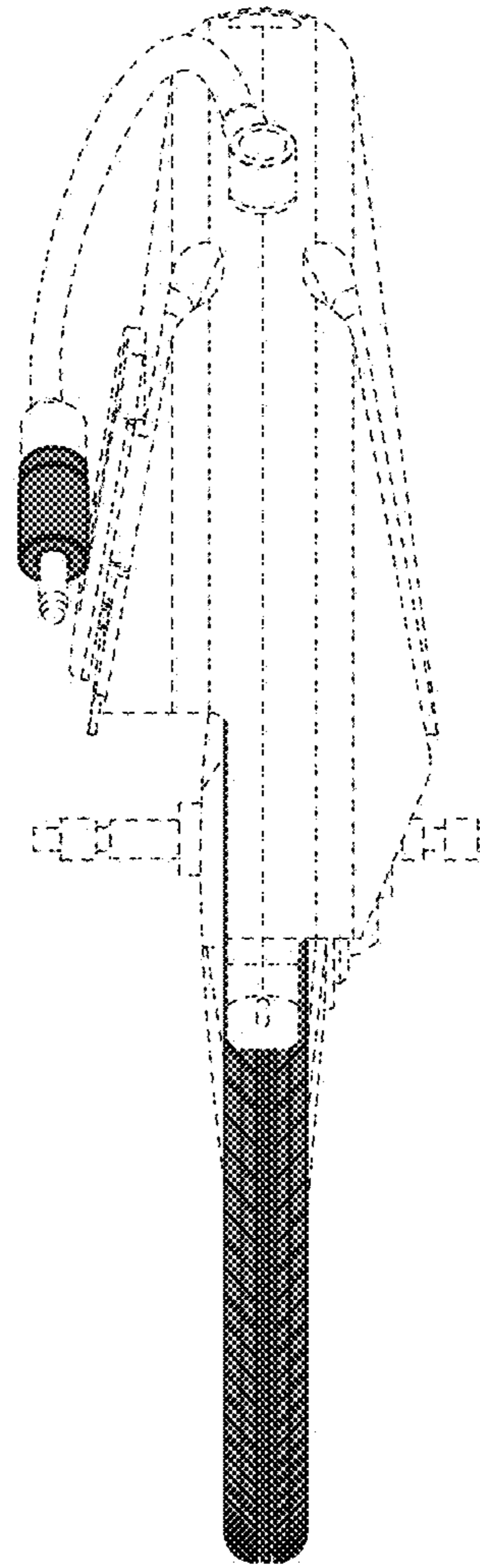


FIG. 5

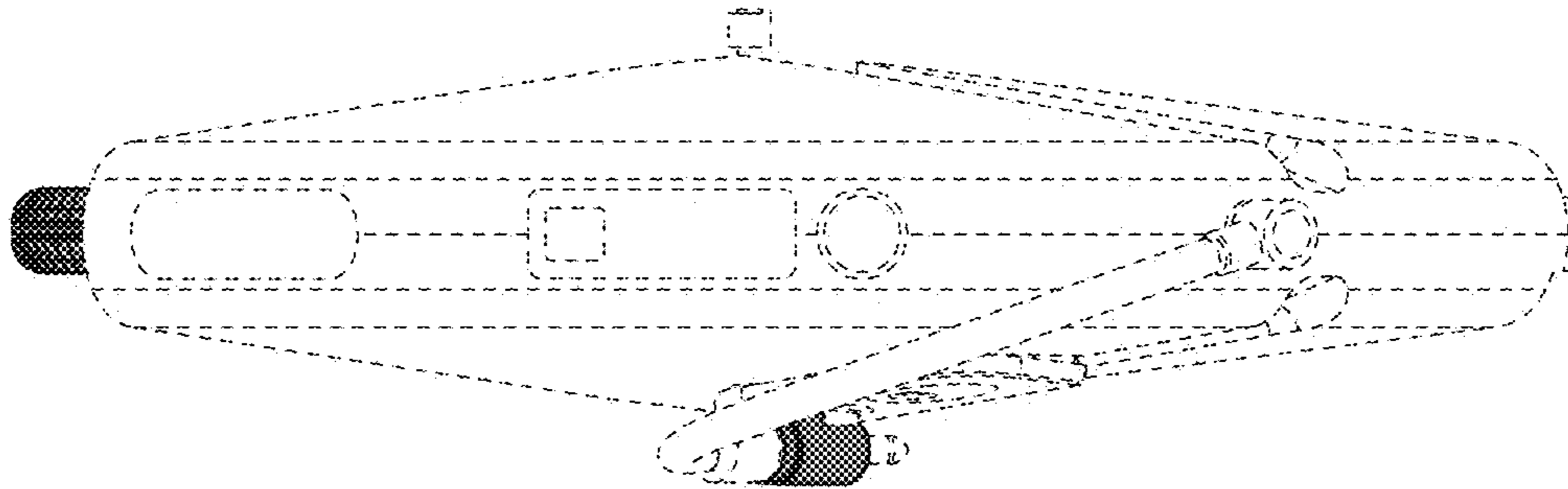


FIG. 6

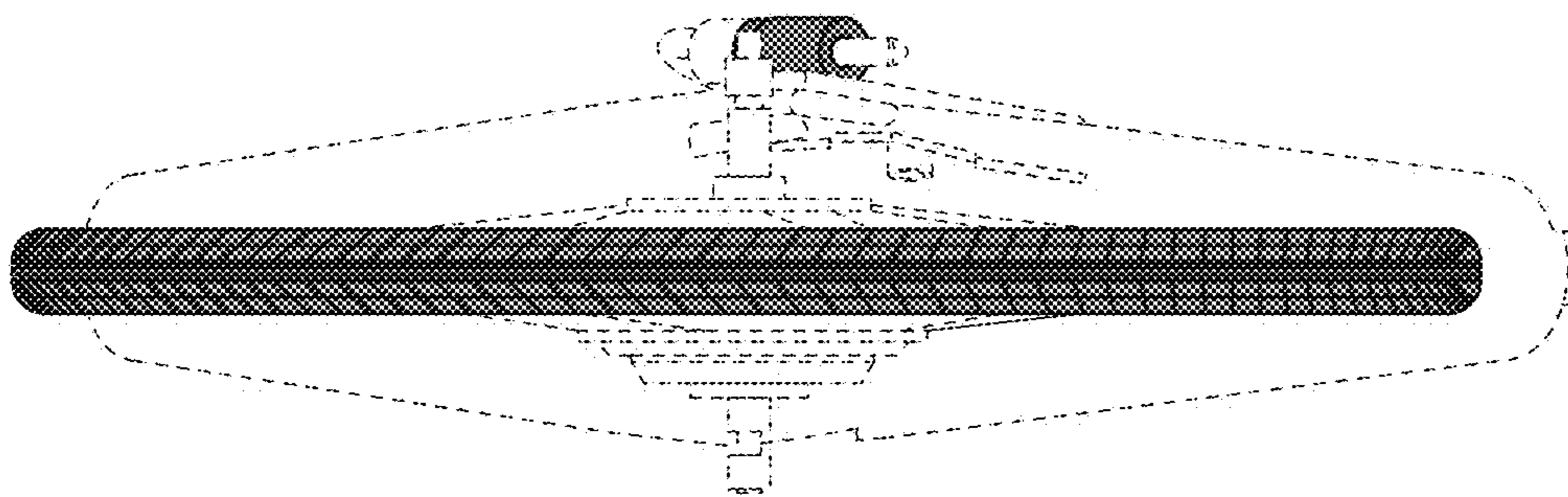


FIG. 7