



US00D894048S

(12) **United States Design Patent**
Smith

(10) **Patent No.:** **US D894,048 S**

(45) **Date of Patent:** **** Aug. 25, 2020**

(54) **POLE TRAILER TONGUE ROLLER**

(71) Applicant: **REELSTRONG UTILITY FLEET,**
Manheim, PA (US)

(72) Inventor: **Noel Christian Smith,** Lancaster, PA
(US)

(73) Assignee: **REELSTRONG UTILITY FLEET,**
Manheim, PA (US)

(**) Term: **15 Years**

(21) Appl. No.: **29/595,054**

(22) Filed: **Feb. 24, 2017**

(51) **LOC (12) Cl.** **12-10**

(52) **U.S. Cl.**
USPC **D12/106**

(58) **Field of Classification Search**
USPC D8/355, 314, 382, 360, 354, 358;
D12/129, 101-106, 404, 19, 161, 162,
D12/199, 400
CPC . B60D 1/06; B60D 1/36; B60D 1/363; B60D
1/52; B60D 1/28; B60D 1/065
See application file for complete search history.

(56) **References Cited**

U.S. PATENT DOCUMENTS

5,236,215	A *	8/1993	Wylie	B60D 1/363 280/477
D369,996	S *	5/1996	Wylie	D12/162
6,234,510	B1 *	5/2001	Hammons	B60D 1/06 280/477
D509,776	S *	9/2005	Stettler	D12/162
D543,908	S *	6/2007	Goettker	D12/162
D554,029	S *	10/2007	Roll	D12/162
D656,434	S *	3/2012	Roller	D12/106
D738,708	S *	9/2015	Moore	D8/358
D789,775	S *	6/2017	Candler	D8/354
10,315,474	B2 *	6/2019	Reynolds	B60D 1/52

2005/0258302	A1 *	11/2005	McDaniel	B66D 1/36 242/615.2
2014/0306427	A1 *	10/2014	Edwards	B60D 1/28 280/507
2019/0168552	A1 *	6/2019	Edwards	B60D 1/065

* cited by examiner

Primary Examiner — Susan E Krakower

Assistant Examiner — Jerry Shiuan-Hua Hsu

(74) *Attorney, Agent, or Firm* — McNees Wallace &
Nurick LLC

(57) **CLAIM**

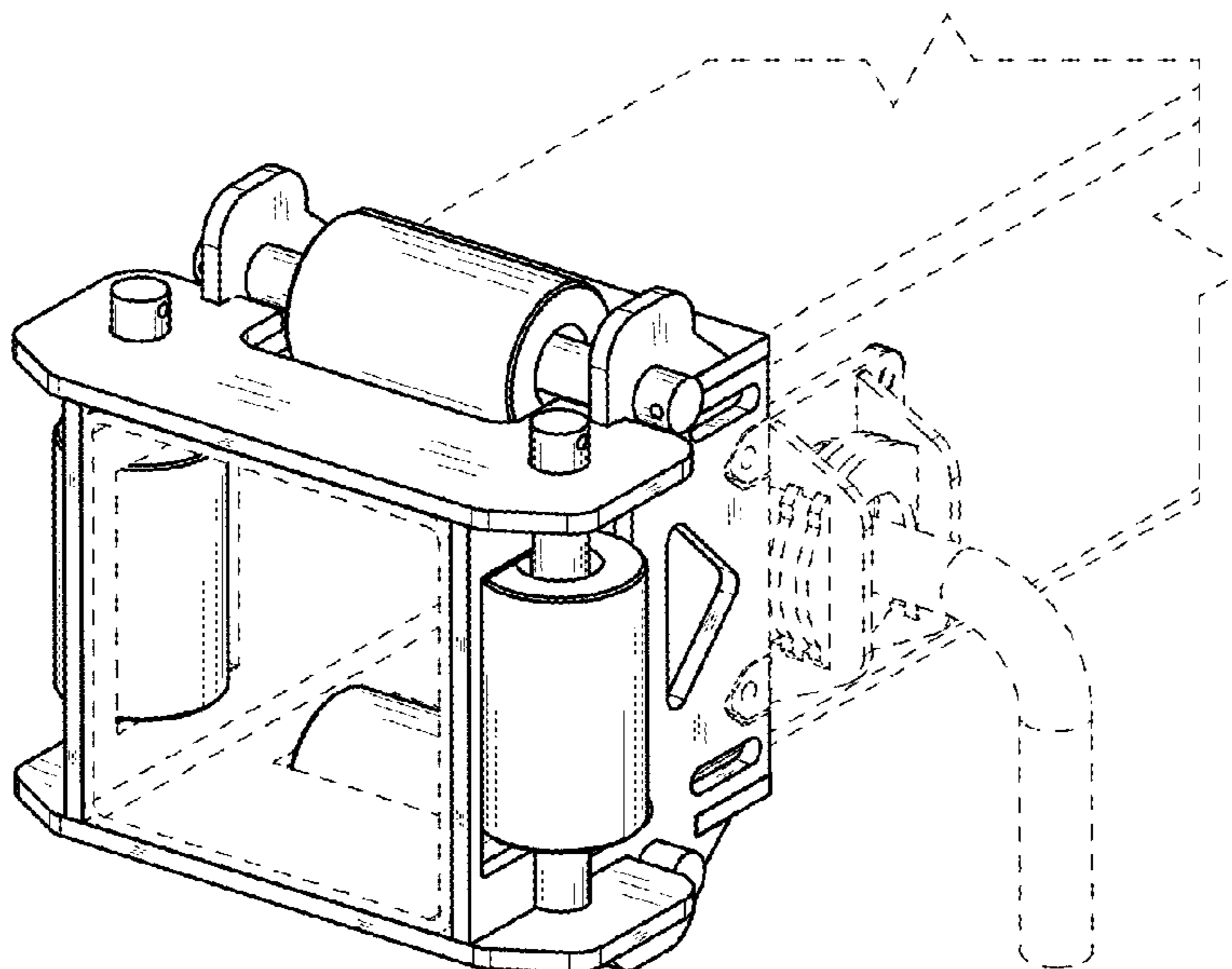
The ornamental design for a pole trailer tongue roller, as shown and described.

DESCRIPTION

FIG. 1 is a top-front-right side perspective view of a pole trailer tongue roller, showing the design;
FIG. 2 is a bottom-front-left side perspective view of the pole trailer tongue roller of FIG. 1;
FIG. 3 is a front elevation view of the pole trailer tongue roller of FIG. 1;
FIG. 4 is a rear elevation view of the pole trailer tongue roller of FIG. 1;
FIG. 5 is a right side elevation view of the pole trailer tongue roller of FIG. 1;
FIG. 6 is a left side elevation view of the pole trailer tongue roller of FIG. 1;
FIG. 7 is a top plan view of the pole trailer tongue roller of FIG. 1; and,
FIG. 8 is a bottom plan view of the pole trailer tongue roller of FIG. 1.

The broken lines in the drawings illustrate portions of the pole trailer tongue roller that form no part of the claimed design.

1 Claim, 5 Drawing Sheets



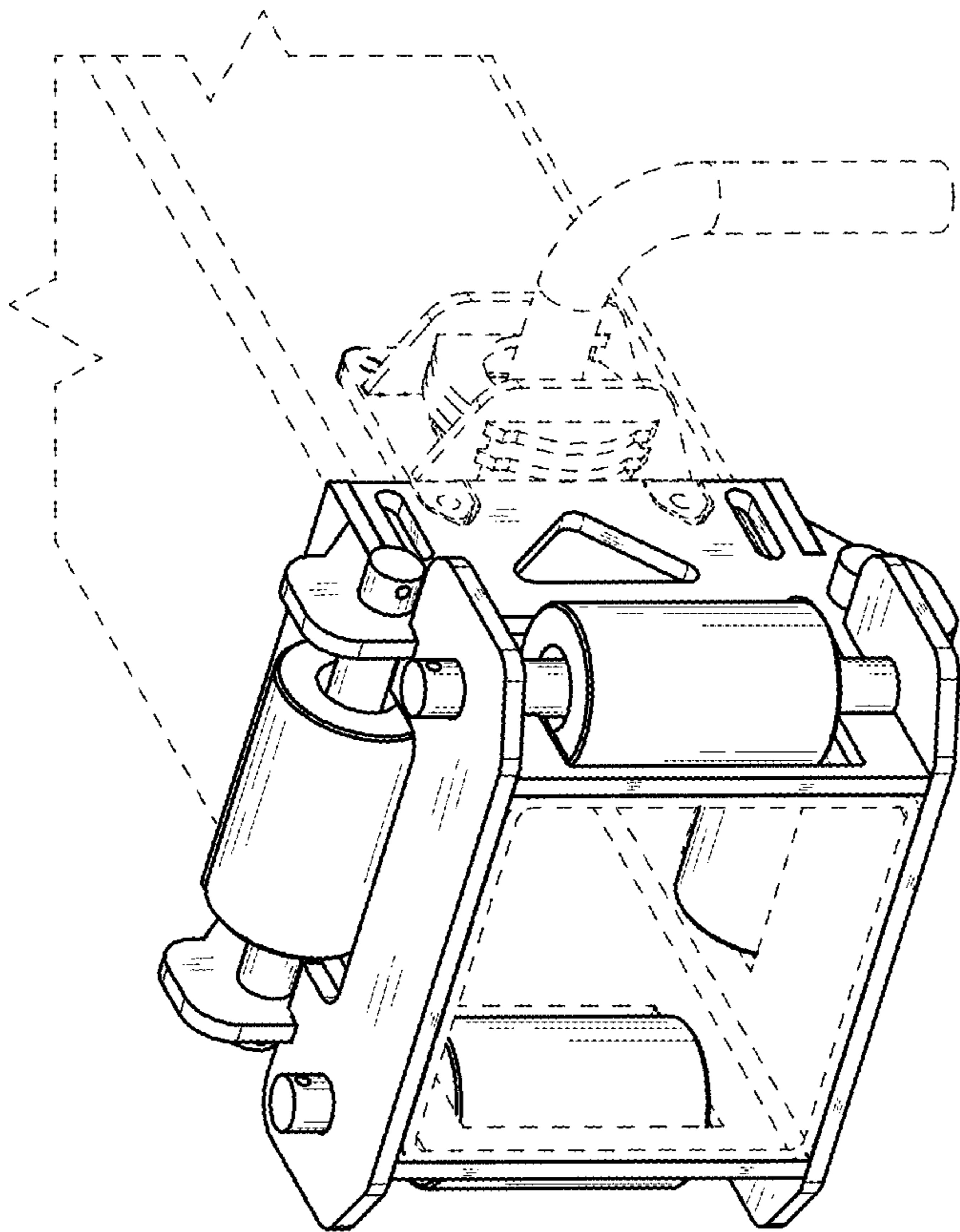


FIG. 1

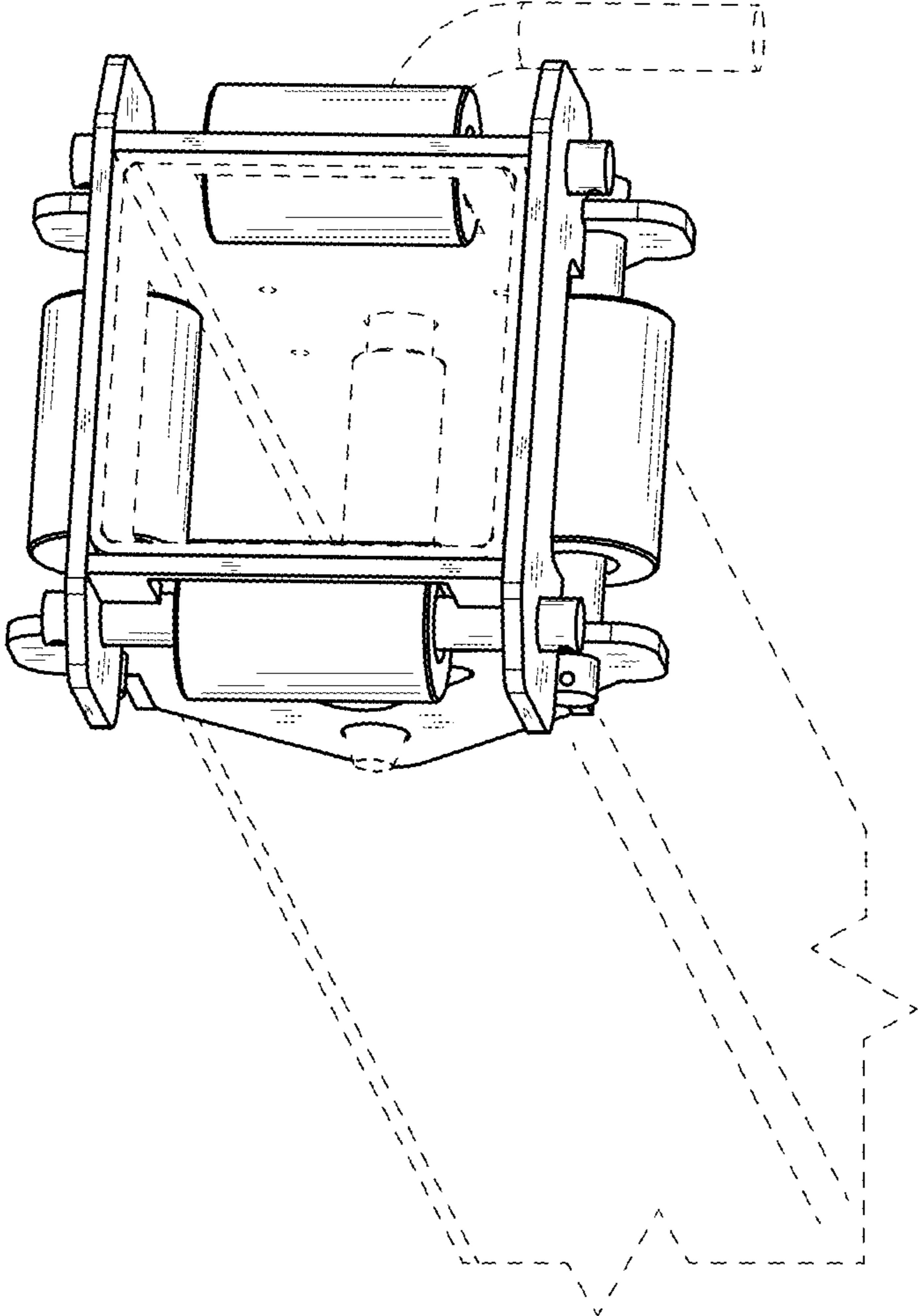


FIG. 2

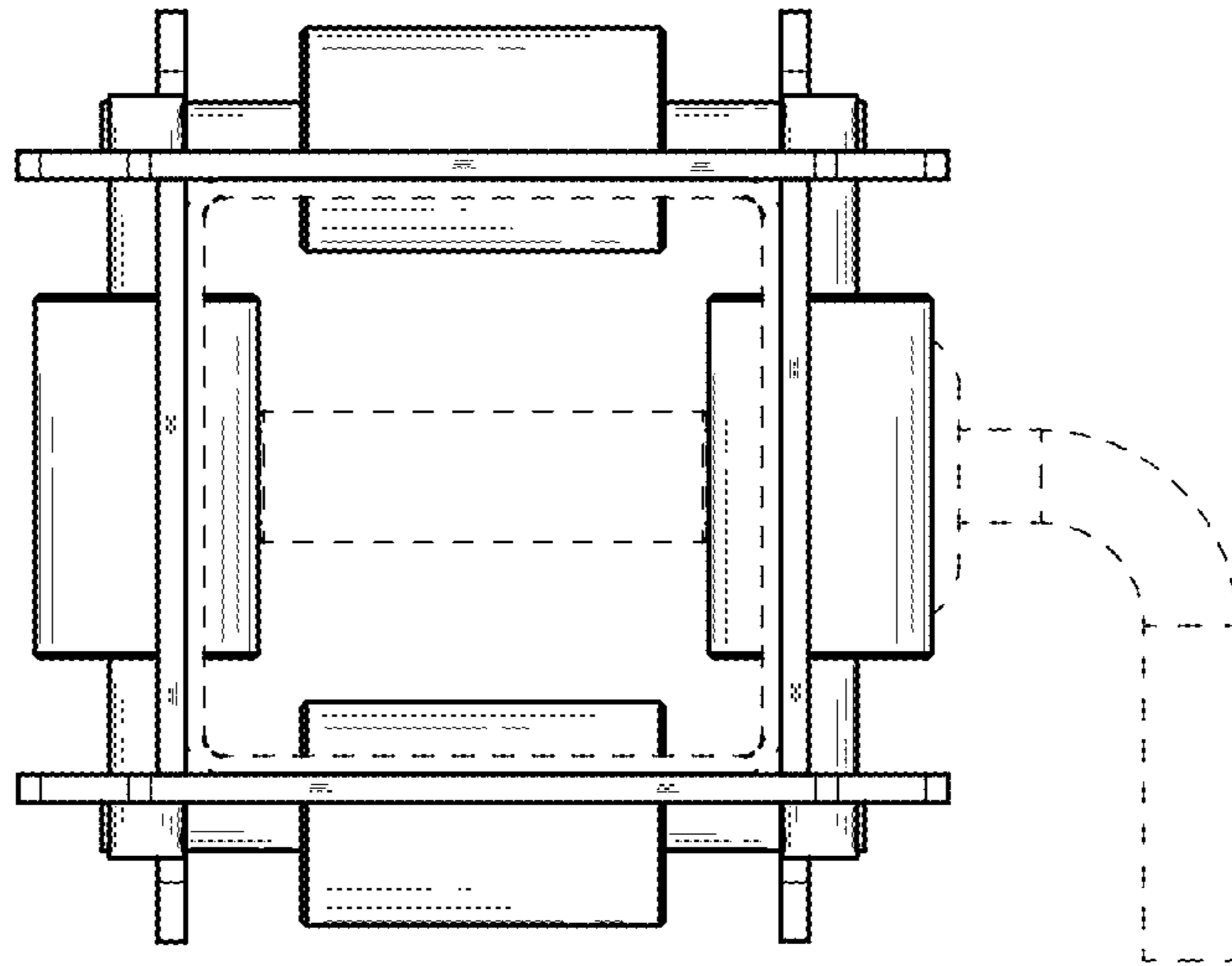


FIG. 3

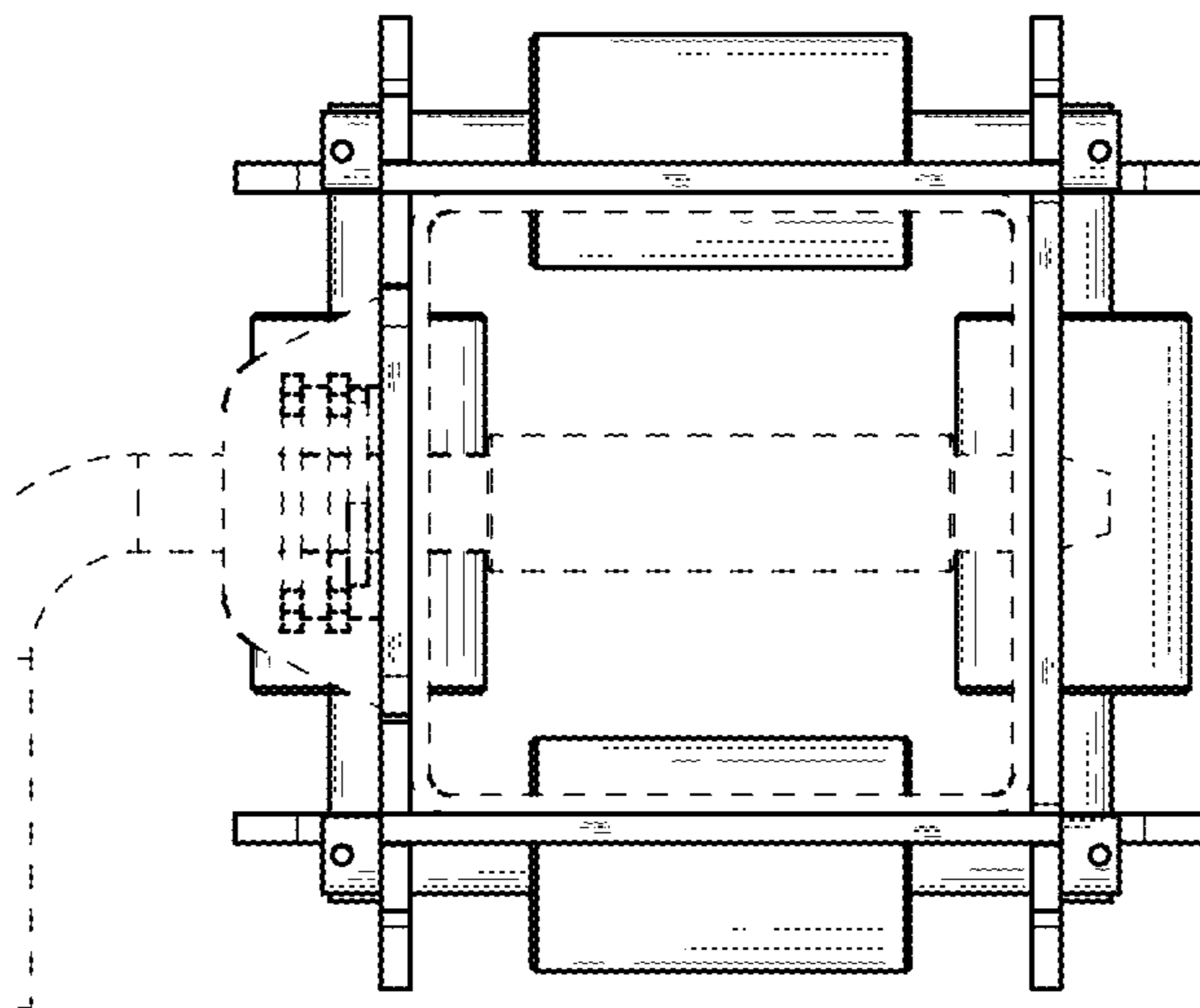


FIG. 4

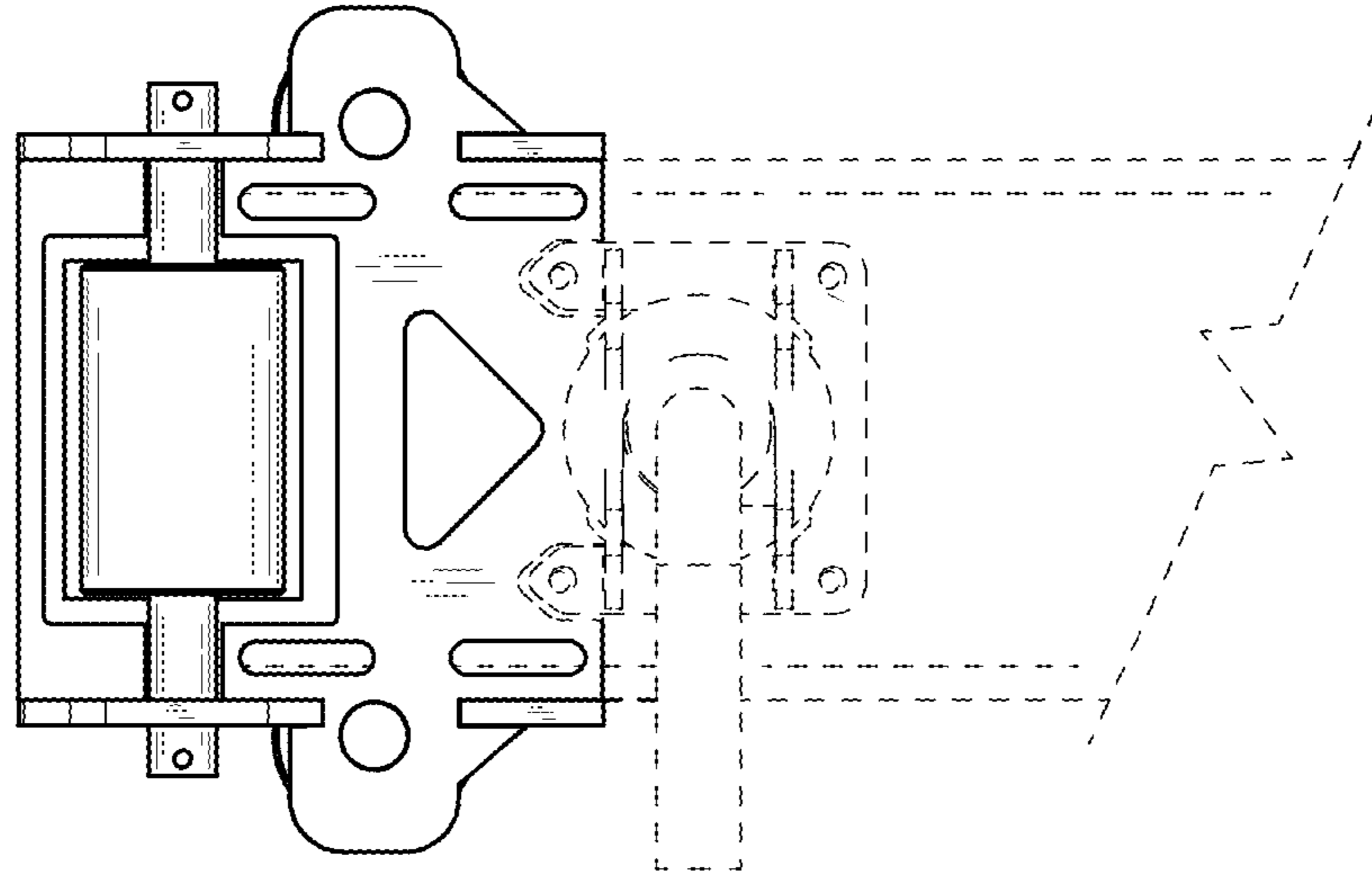


FIG. 5

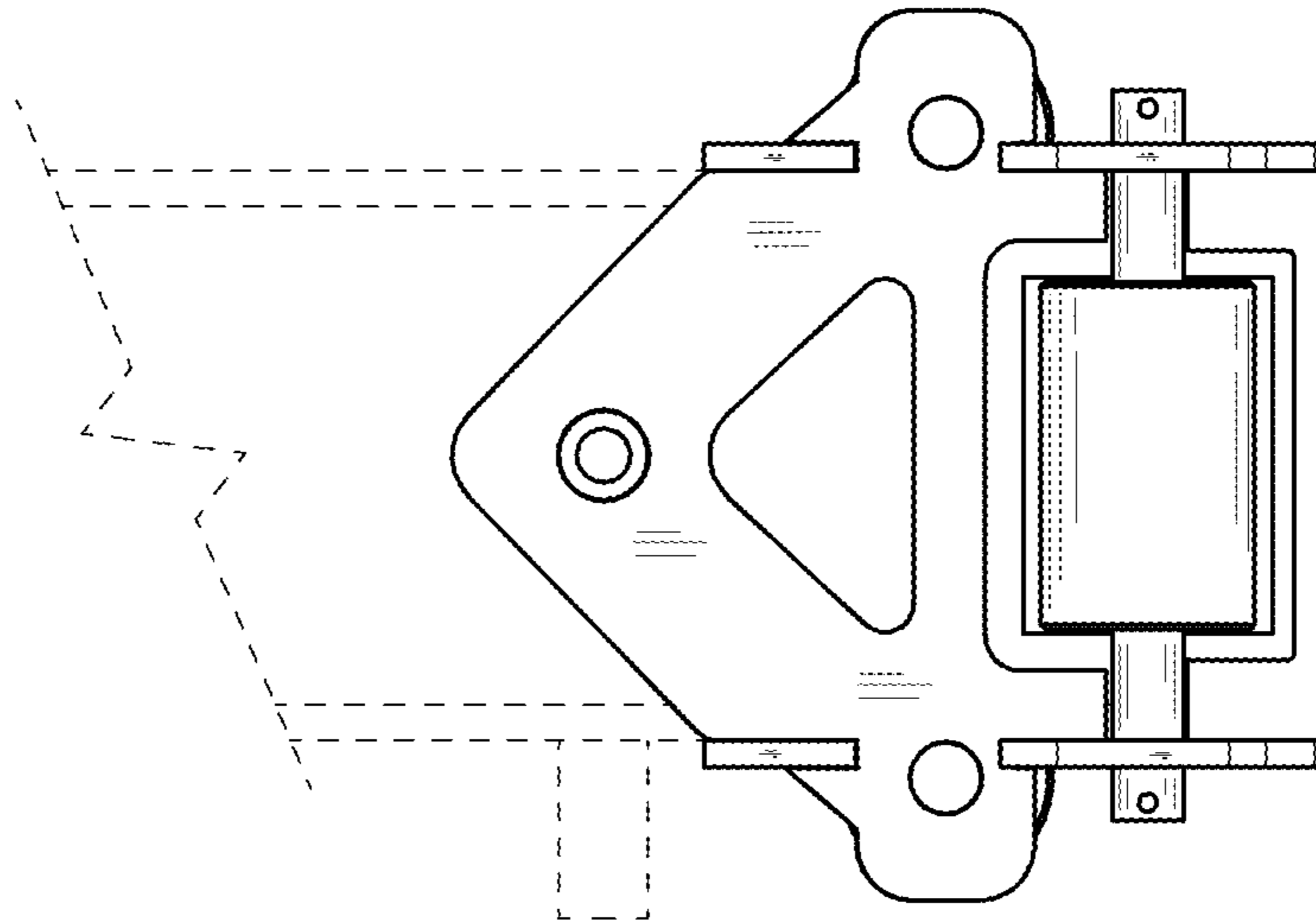


FIG. 6

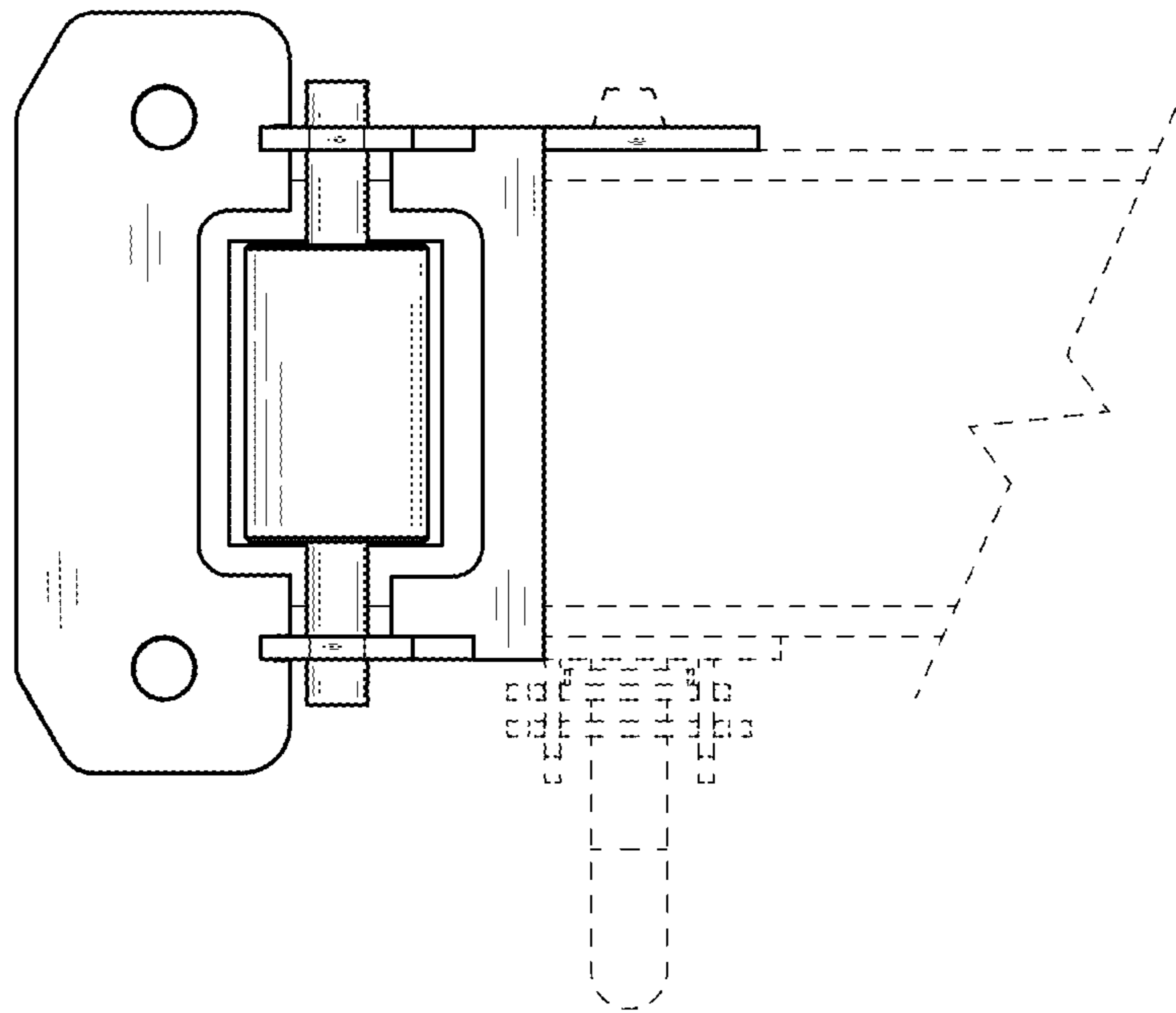


FIG. 7

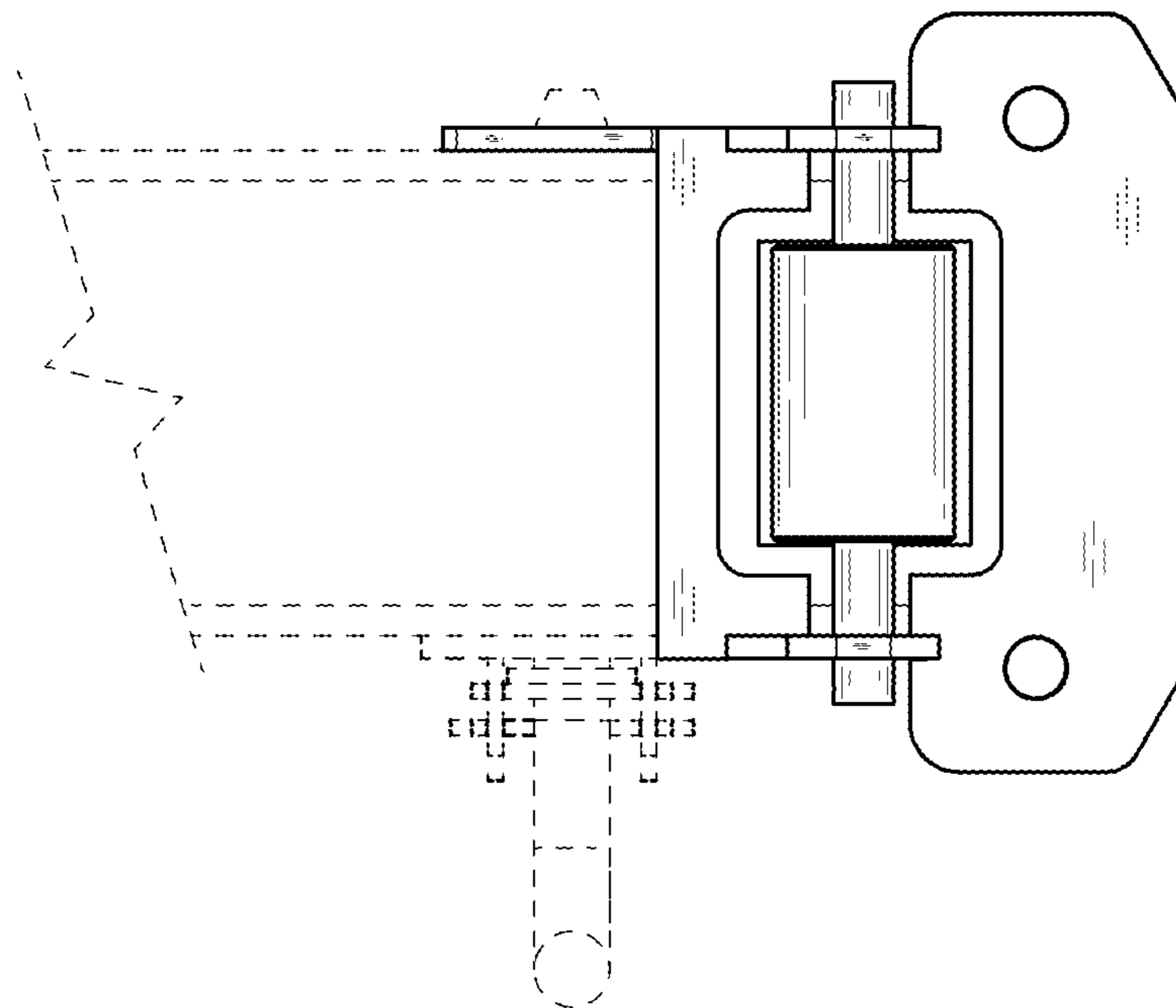


FIG. 8