



US00D894042S

(12) **United States Design Patent** (10) **Patent No.:** **US D894,042 S**
Paik et al. (45) **Date of Patent:** **** Aug. 25, 2020**

(54) **BUCKLE FOR BAGS**

(56) **References Cited**

(71) Applicant: **WOJIN PLASTIC CO., LTD.**,
Guri-si, Gyeonggi-do (KR)
(72) Inventors: **Jisook Paik**, Seoul (KR); **Nan Hee Paik**, Seoul (KR); **Ji Hye Paik**, Seoul (KR); **Ji Won Son**, Seoul (KR)
(73) Assignee: **WOJIN PLASTIC CO., LTD.**,
Guri-si, Gyeonggi-do (KR)

U.S. PATENT DOCUMENTS

D497,834 S * 11/2004 Kawamura D11/218
D701,139 S * 3/2014 Kadoishi D11/216
D711,773 S * 8/2014 Kolasa D11/215
D740,718 S * 10/2015 Liu D11/216
D770,327 S * 11/2016 Chan D11/216
2011/0173783 A1* 7/2011 Kaneko A44B 11/266
24/615

FOREIGN PATENT DOCUMENTS

WO WO-2005058086 * 6/2005 A44B 11/25

(**) Term: **15 Years**

* cited by examiner

(21) Appl. No.: **29/673,149**

Primary Examiner — Sheryl Lane

(22) Filed: **Dec. 12, 2018**

Assistant Examiner — Samantha N Wood

(30) **Foreign Application Priority Data**

(74) *Attorney, Agent, or Firm* — Novick, Kim & Lee, PLLC; Jae Youn Kim; Hyun Woo Shin

Jun. 12, 2018 (KR) 30-2018-0026970

(51) **LOC (12) Cl.** **02-07**

(52) **U.S. Cl.**
USPC **D11/218**

(57) **CLAIM**

The ornamental design for a buckle for bags, as shown and described.

(58) **Field of Classification Search**

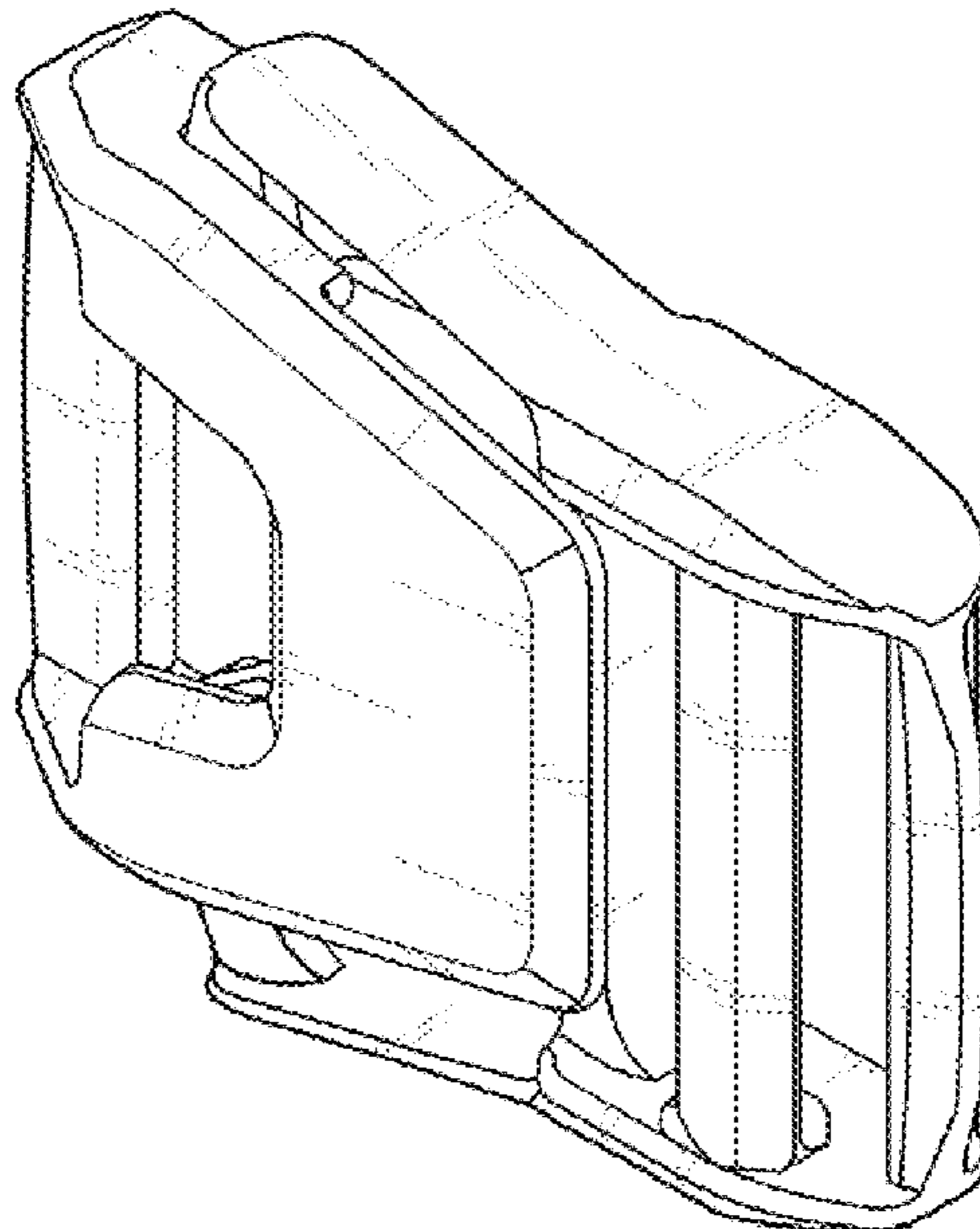
DESCRIPTION

USPC D11/200, 201, 208, 212, 215, 216, 218,
D11/219, 220, 221, 86, 87, 93, 94, 231;
D8/383, 382, 499
CPC A44C 23/00; A44C 5/18; A44C 5/185;
A44C 5/2066; A44C 5/2042; A44C
5/2057; A44C 5/2071; A44D 2200/10;
A44D 2201/02; A44D 2201/10; A44D
2201/12; A44D 2201/14; A44D 2201/16;
A44D 2201/30; A44D 2201/32; A44D
2201/34; A44D 2201/36; A44D 2203/00;
A44D 2205/00; A44B 11/00; A44B
11/25; A44B 11/2553; A44B 11/2549;
A44B 11/04

FIG. 1 is a perspective view of a buckle for bags, showing our new design;
FIG. 2 is a front view thereof;
FIG. 3 is a rear view thereof;
FIG. 4 is a left-side view thereof;
FIG. 5 is a right-side view thereof;
FIG. 6 is a top view thereof;
FIG. 7 is a bottom view thereof;
FIG. 8 is a cross-sectional view taken along line 8-8 in FIG. 2; and,
FIG. 9 is an exploded perspective view thereof showing male and female buckle components.

See application file for complete search history.

1 Claim, 7 Drawing Sheets



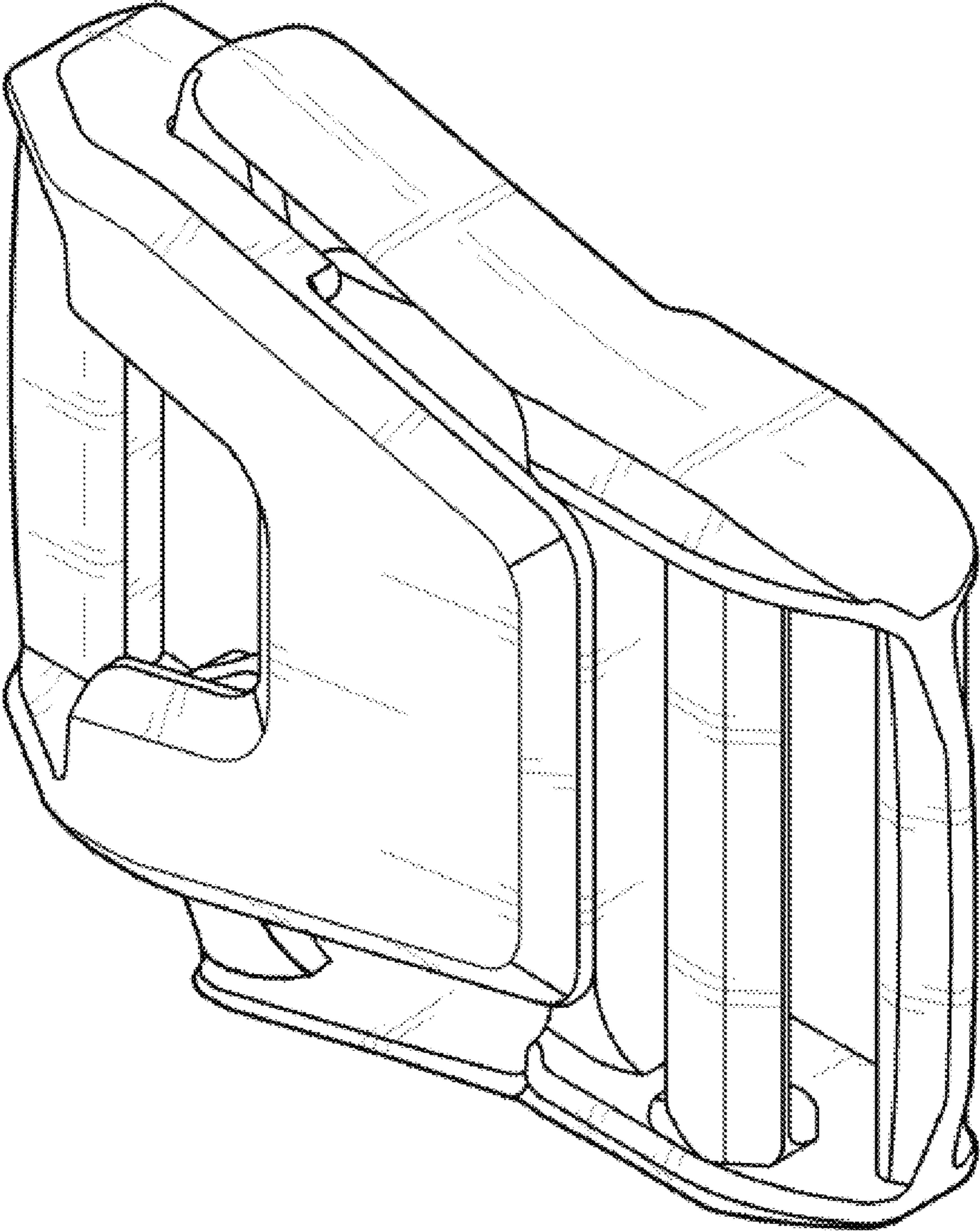


Fig. 1

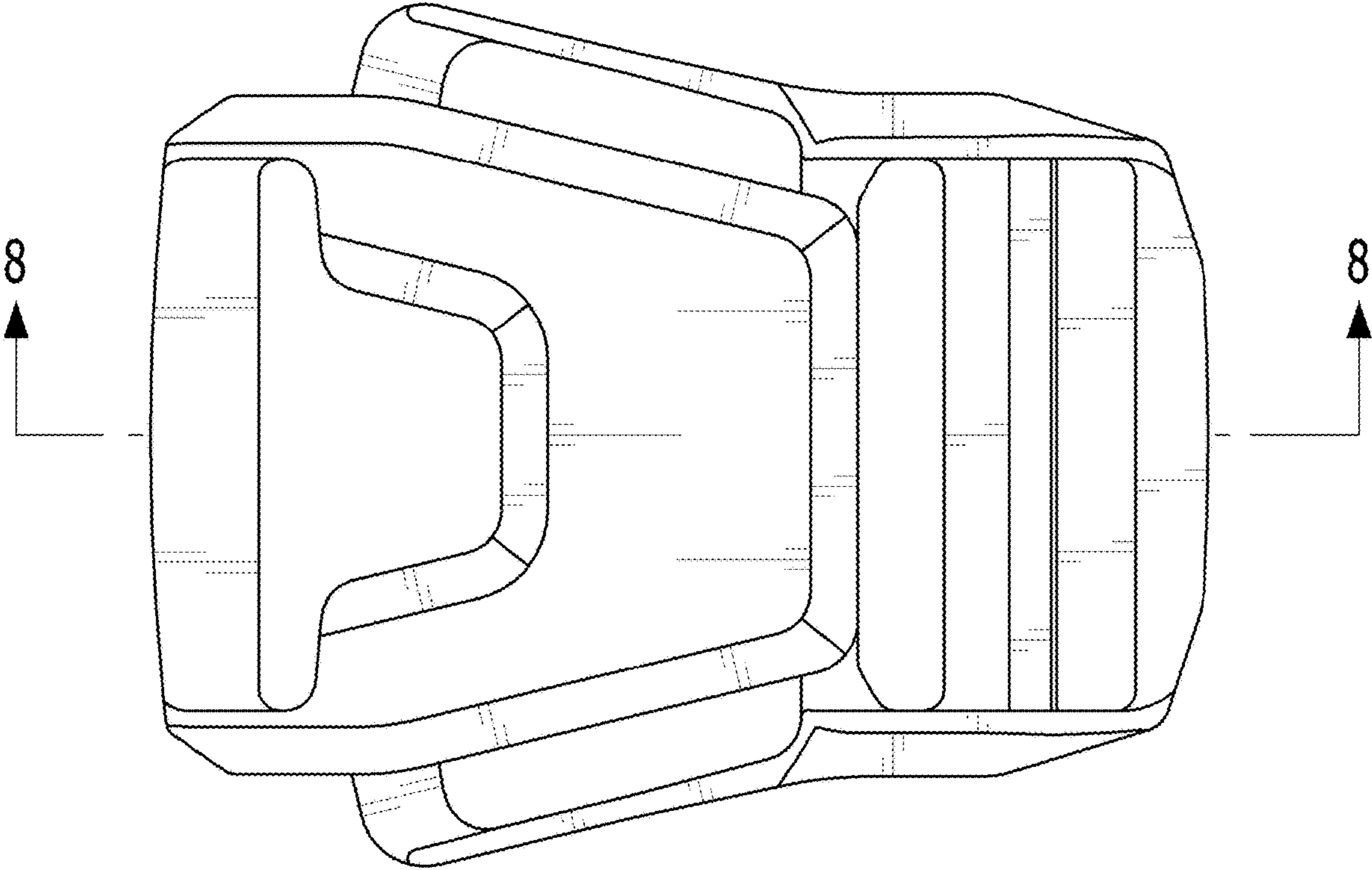


Fig. 2

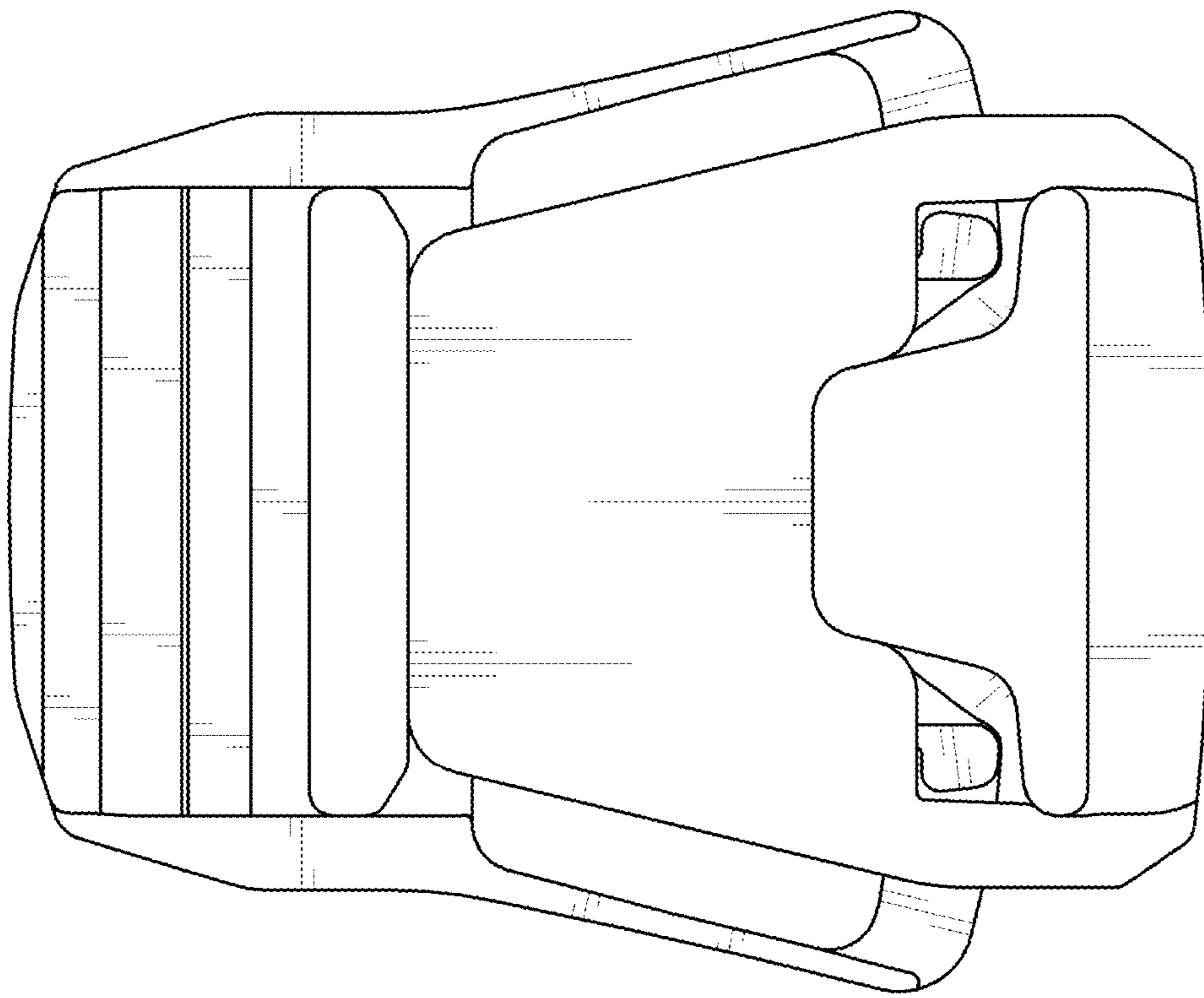


Fig. 3

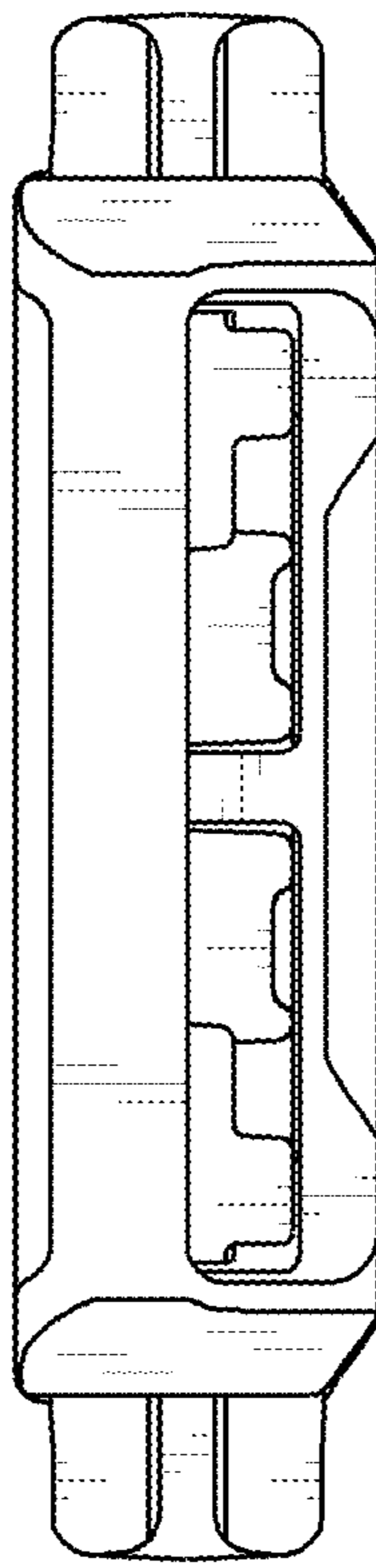


Fig .4

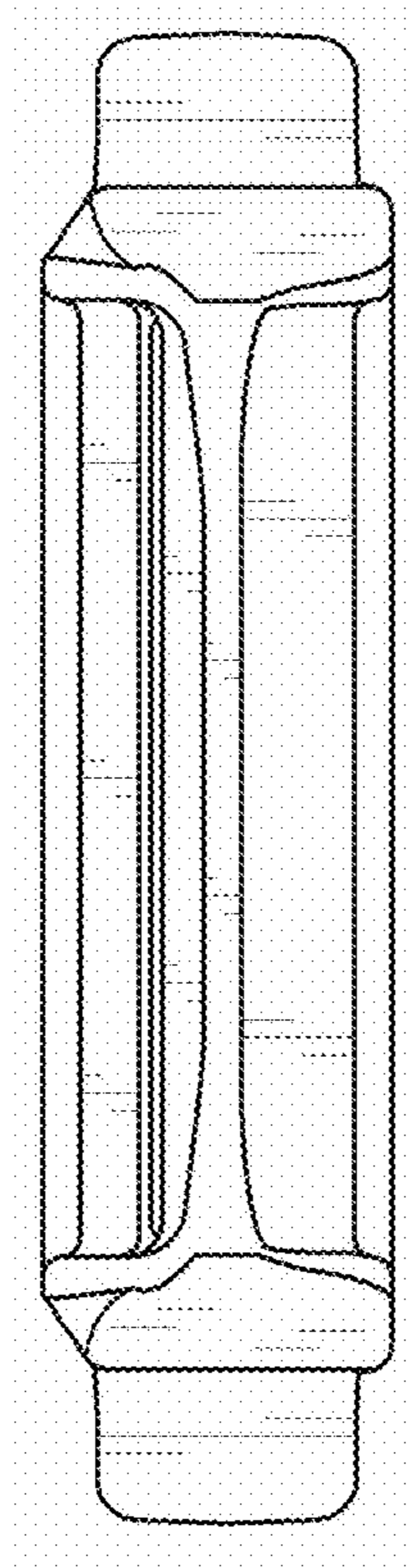


Fig. 5

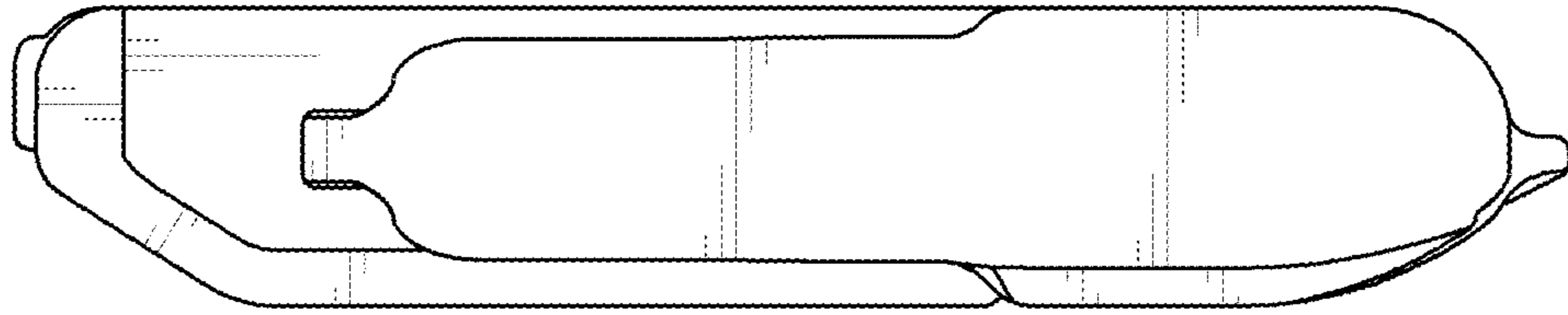


Fig. 6

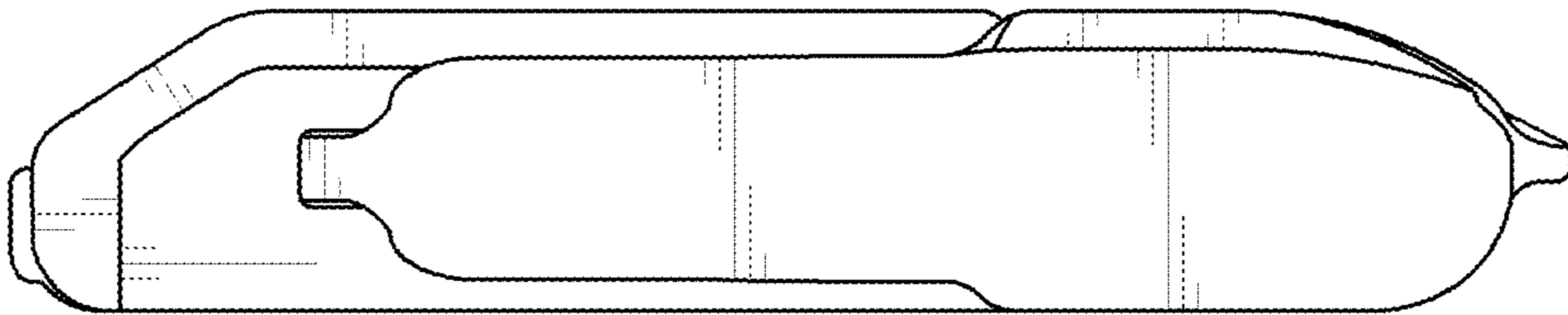


Fig. 7

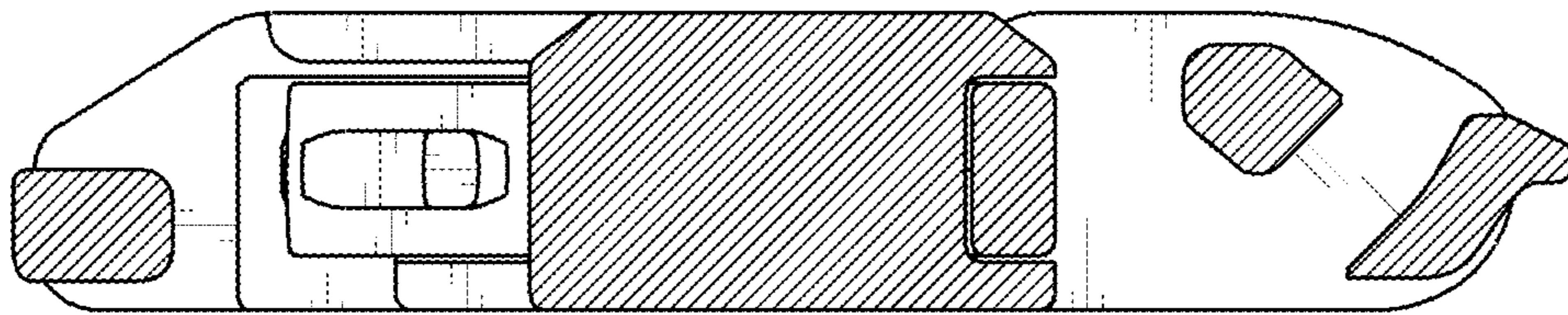


Fig. 8

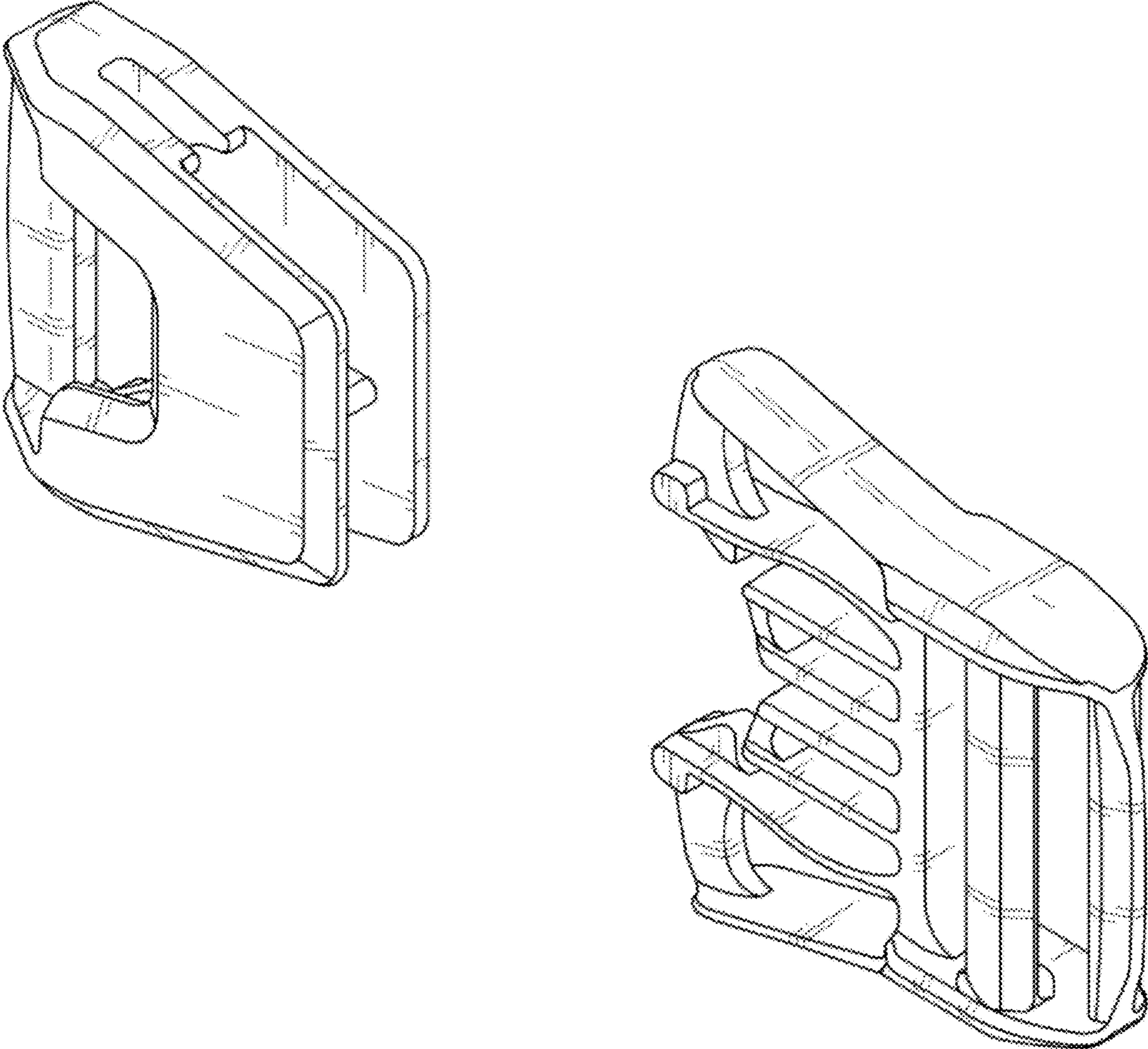


Fig. 9