



US00D894038S

(12) **United States Design Patent** (10) **Patent No.:** **US D894,038 S**
Cooley (45) **Date of Patent:** **** Aug. 25, 2020**

(54) **PLANT-GROWING TRAY**

FOREIGN PATENT DOCUMENTS

(71) Applicant: **International Plant Propagation Technology Ltd**, Skipton, Yorkshire (GB)

CN 207767002 U 8/2018
DE 202017003328 U1 7/2017
(Continued)

(72) Inventor: **John Cooley**, Skipton (GB)

OTHER PUBLICATIONS

(73) Assignee: **International Plant Propagation Technology Ltd** (GB)

Proptek webpage entitled 126N58N: 126 Cell Nesting Eucalyptus & Forestry Propagation Tray for 35mm, 2 pages.

(**) Term: **15 Years**

(Continued)

(21) Appl. No.: **29/676,449**

Primary Examiner — Elizabeth A. Albert

(22) Filed: **Jan. 10, 2019**

(74) *Attorney, Agent, or Firm* — Lewis Roca Rothgerber Christie LLP

(30) **Foreign Application Priority Data**

Jul. 11, 2018 (GB) 6039074

(57) **CLAIM**

(51) **LOC (12) Cl.** **11-02**

The ornamental design for a plant-growing tray, as shown and described.

(52) **U.S. Cl.**
USPC **D11/155**

(58) **Field of Classification Search**
USPC D11/143–156, 164; D3/304; D6/403, D6/404, 405, 556, 557, 558; D7/523, D7/602, 630; D8/356; D9/428, 500
CPC ... A47G 7/00; A47G 7/02; A47G 7/06; A47G 7/08; A01G 5/04; A01G 9/02; A01G 9/021; A01G 9/029; A01G 9/0293; A01G 9/047

DESCRIPTION

See application file for complete search history.

FIG. 1 is a perspective view of a plant-growing tray from above;
FIG. 2 is a perspective view of a plant-growing tray from below;
FIG. 3 is a top view of a plant-growing tray;
FIG. 4 is a bottom view of a plant-growing tray;
FIG. 5 is a view of the long side of a plant-growing tray;
FIG. 6 is a view of the short side of a plant-growing tray;
FIG. 7 is a detail view of a portion of the perspective view of a plant-growing tray from above from FIG. 1;
FIG. 8 is a detail view of a portion of the perspective view of a plant-growing tray from below from FIG. 2;
FIG. 9 is a detail view of a portion of the top view of a plant-growing tray from FIG. 3; and,
FIG. 10 is a detail view of a portion of the bottom view of a plant-growing tray from FIG. 4.

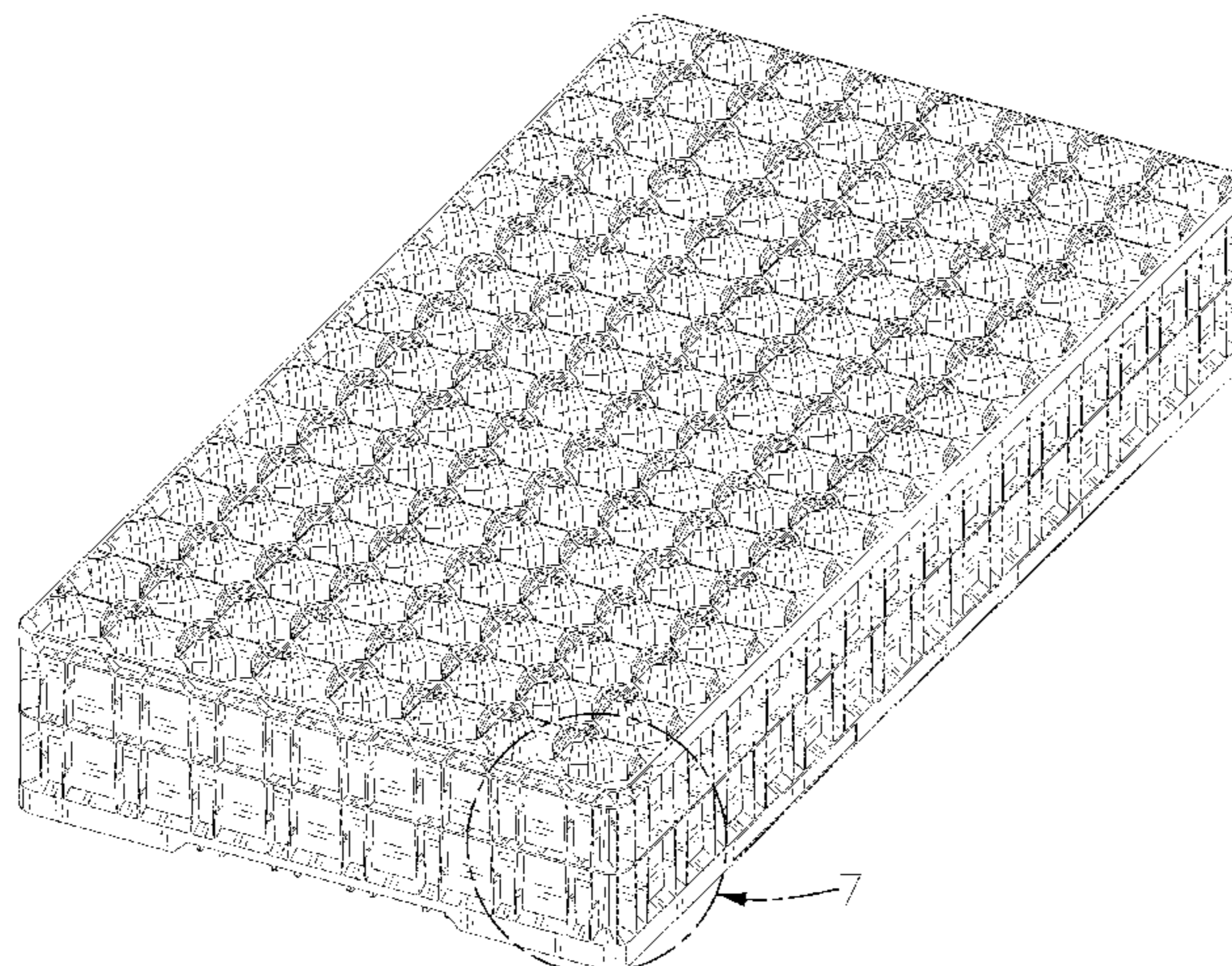
(56) **References Cited**

U.S. PATENT DOCUMENTS

4,389,814 A * 6/1983 Andreason A01G 9/0295 47/73
D273,482 S * 4/1984 Andreason D11/155
D277,837 S * 3/1985 Turunen D11/155
D325,714 S * 4/1992 Karhiniemi D11/155
D401,530 S * 11/1998 Keskilohko D11/155
6,237,286 B1 * 5/2001 Williames A01G 9/088 47/66.5

6,266,921 B1 7/2001 Keskilohko
(Continued)

1 Claim, 10 Drawing Sheets



(56)

References Cited

U.S. PATENT DOCUMENTS

D473,463 S * 4/2003 Armstrong D9/431
 D540,711 S * 4/2007 Howard D11/155
 D625,067 S * 10/2010 Shannon D34/1
 8,696,241 B2 * 4/2014 Lee E01C 13/083
 405/39
 D726,071 S * 4/2015 Aoyama D11/155
 D758,914 S * 6/2016 MacKenzie D11/143
 D775,999 S * 1/2017 Shaffer D11/155
 D783,421 S * 4/2017 Van Belle D9/760
 9,706,718 B1 7/2017 McMillan
 D820,722 S * 6/2018 Shaffer D11/155
 D843,882 S * 3/2019 Cooley D11/155
 10,415,260 B2 * 9/2019 Gooden E01C 11/226
 D877,650 S * 3/2020 Ayres D11/143
 2011/0232183 A1 9/2011 Chang
 2014/0165467 A1 6/2014 DeYoung et al.
 2018/0255712 A1 9/2018 Smal

FOREIGN PATENT DOCUMENTS

GB 2566797 A 3/2019
 GB 2570346 A 7/2019
 KR 20110009018 A 1/2011
 KR 10-1281559 B1 6/2013
 WO 2018229486 A1 12/2018

OTHER PUBLICATIONS

Proptek webpage entitled 126S581: 126 Cell Stacking Eucalyptus & Forestry Propagation Tray for 35mm, 2 pages.
 Search Report Under Section 17(5) for International Application No. GB1811308.4, dated Sep. 6, 2019, 3 pages.
 International Search Report and Written Opinion for International Application No. PCT/GB2019/051919, dated Sep. 19, 2019, 12 pages.
 Search Report Under Section 17(5) for International Application No. GB1906426.0, dated Oct. 28, 2019.

* cited by examiner

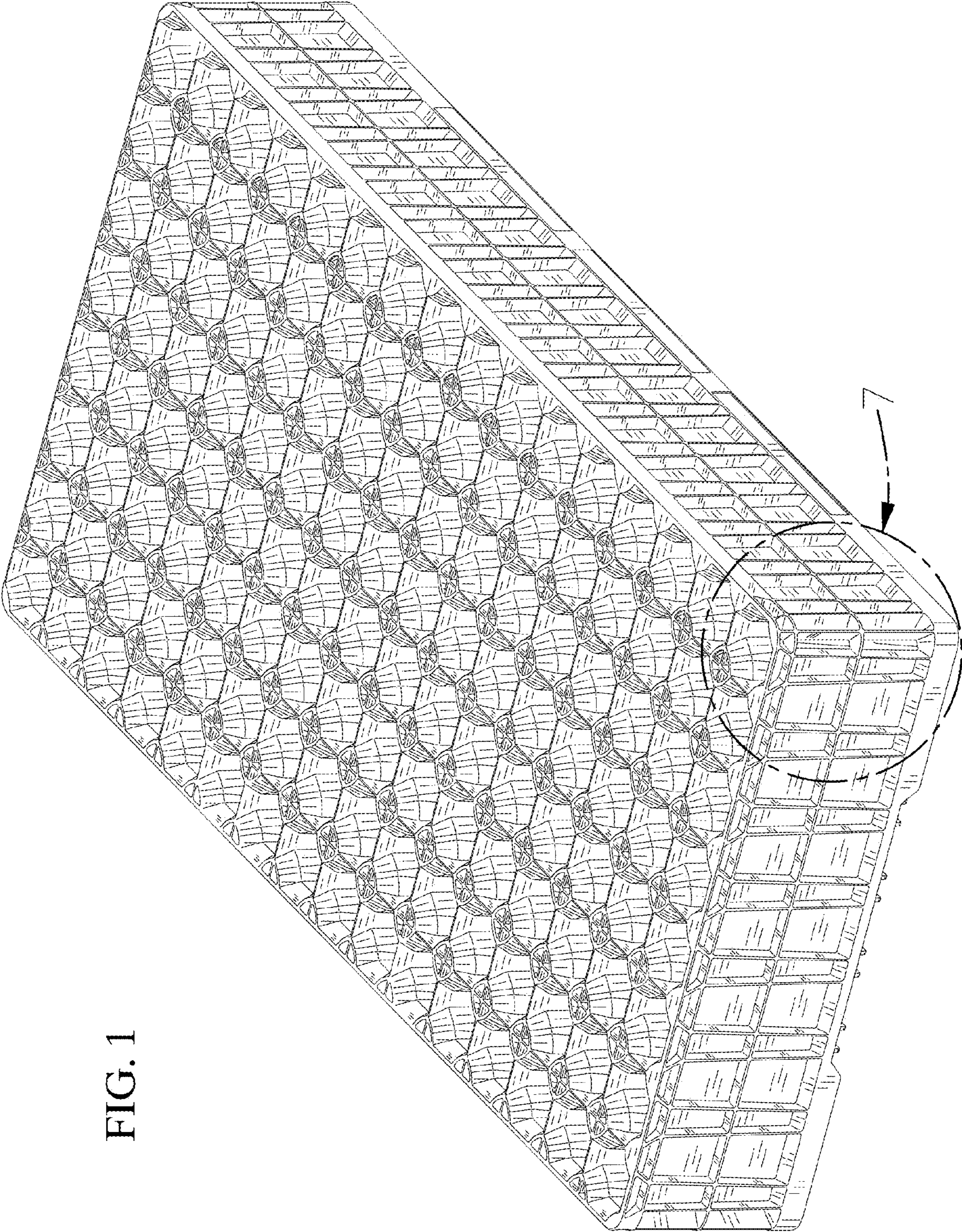


FIG. 1

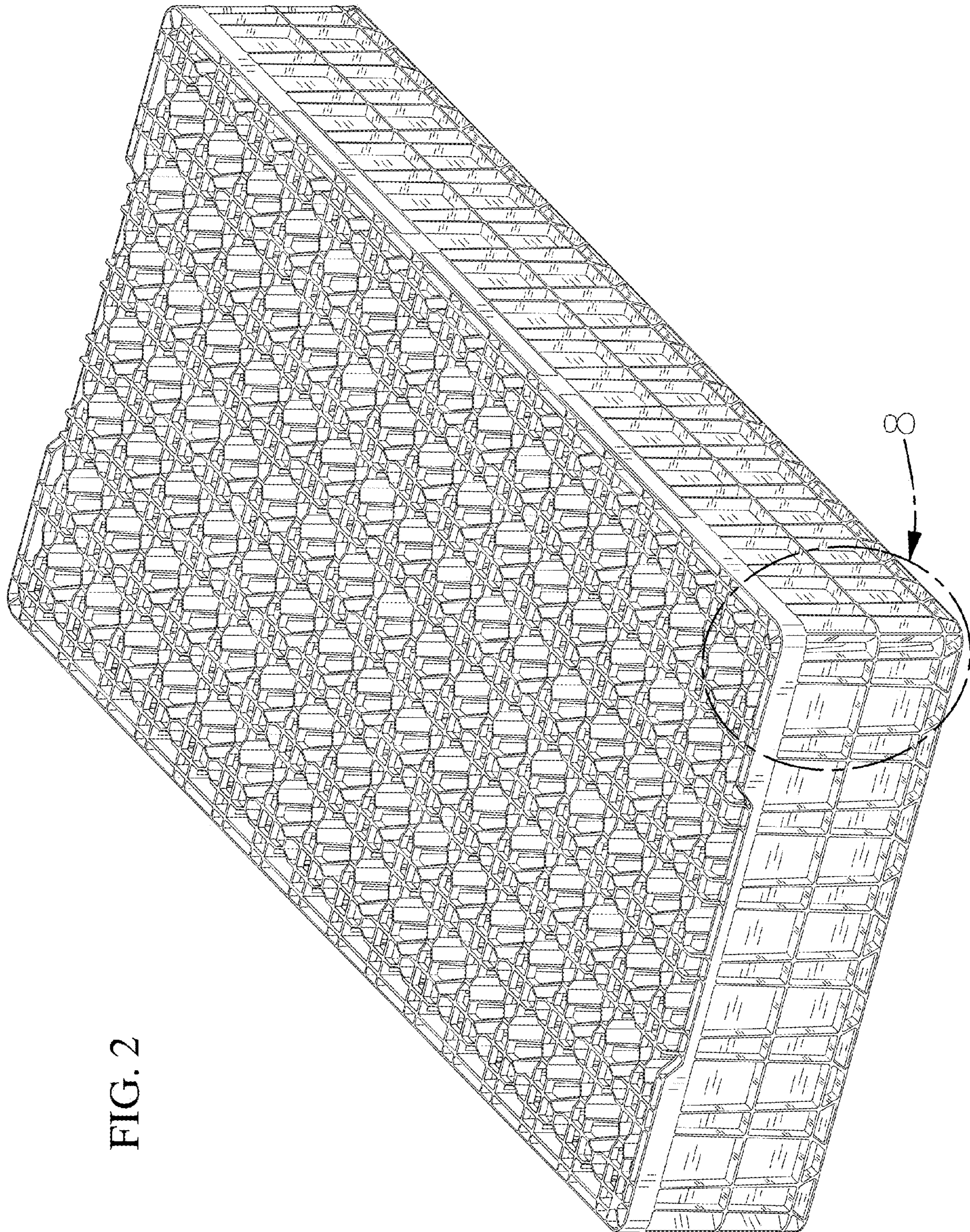
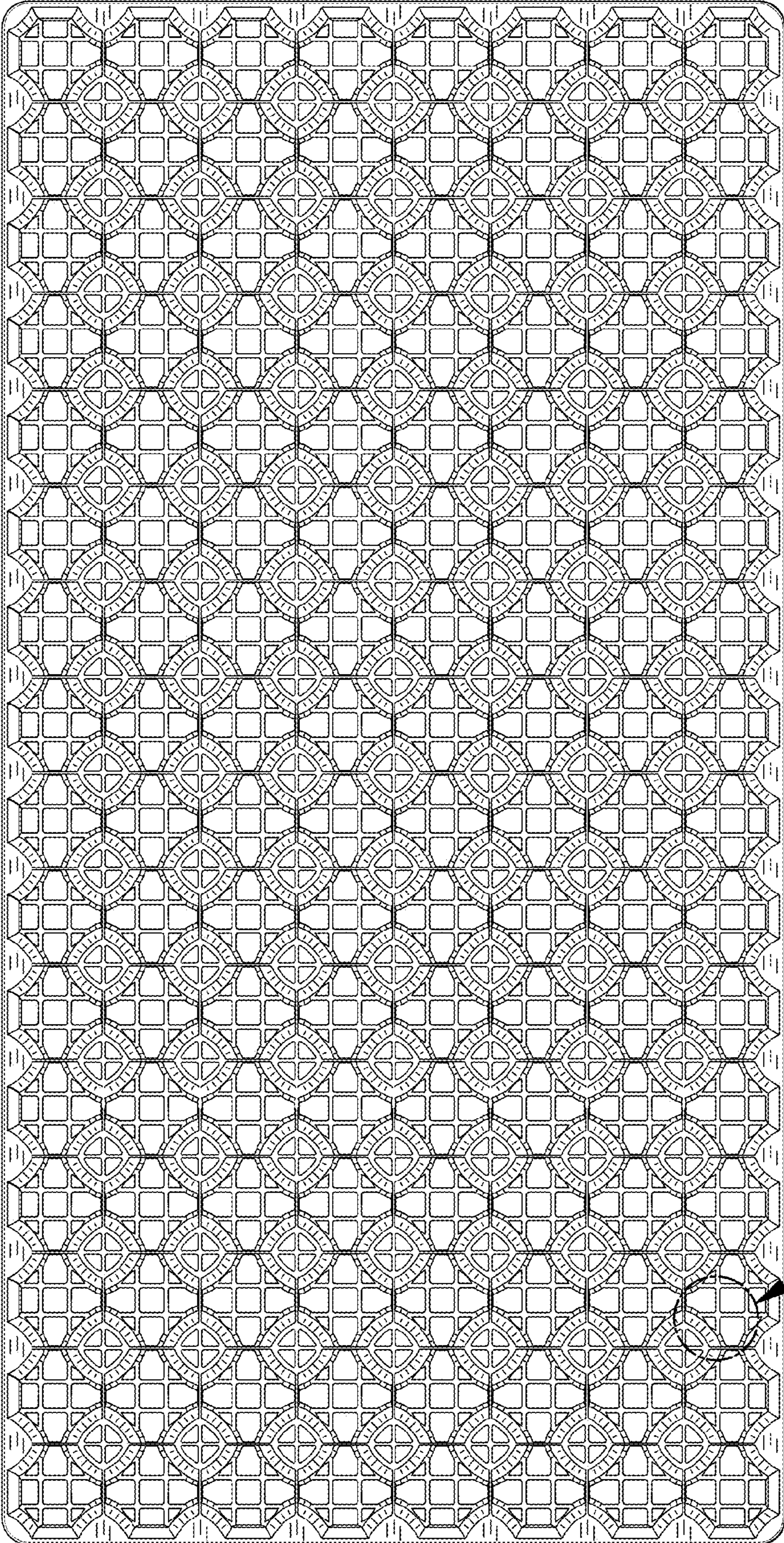


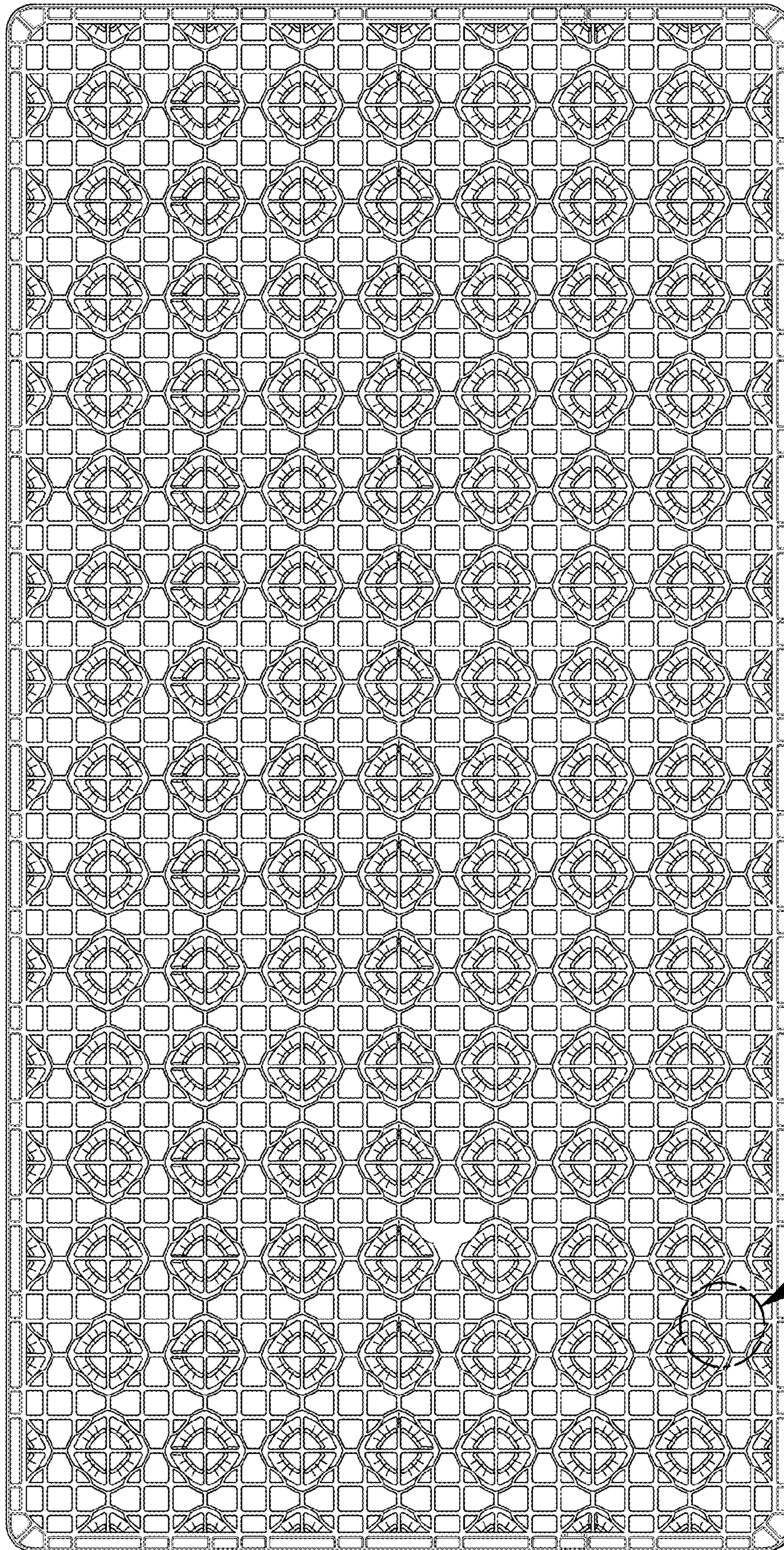
FIG. 2

FIG. 3



9

FIG. 4



10

FIG. 5

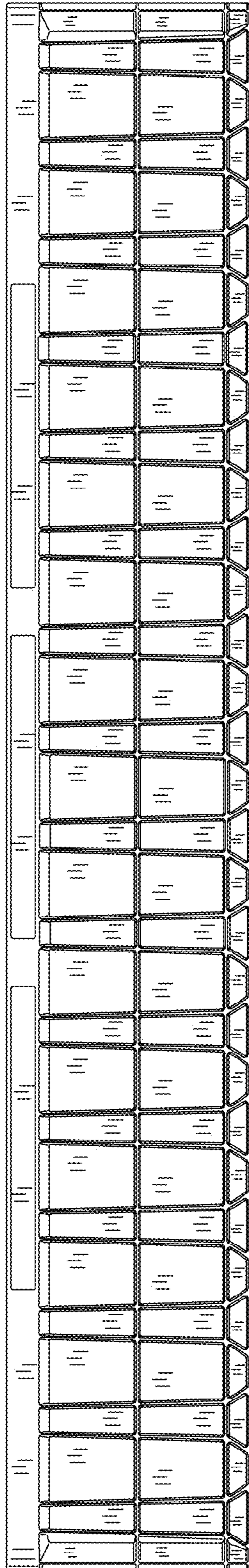
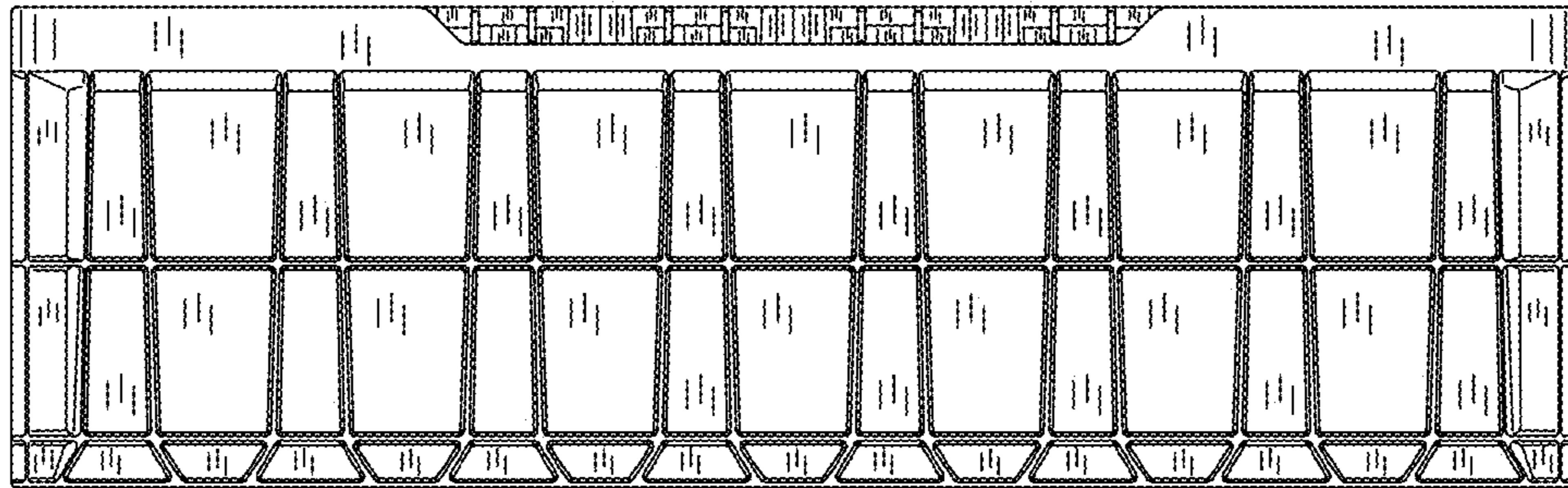


FIG. 6



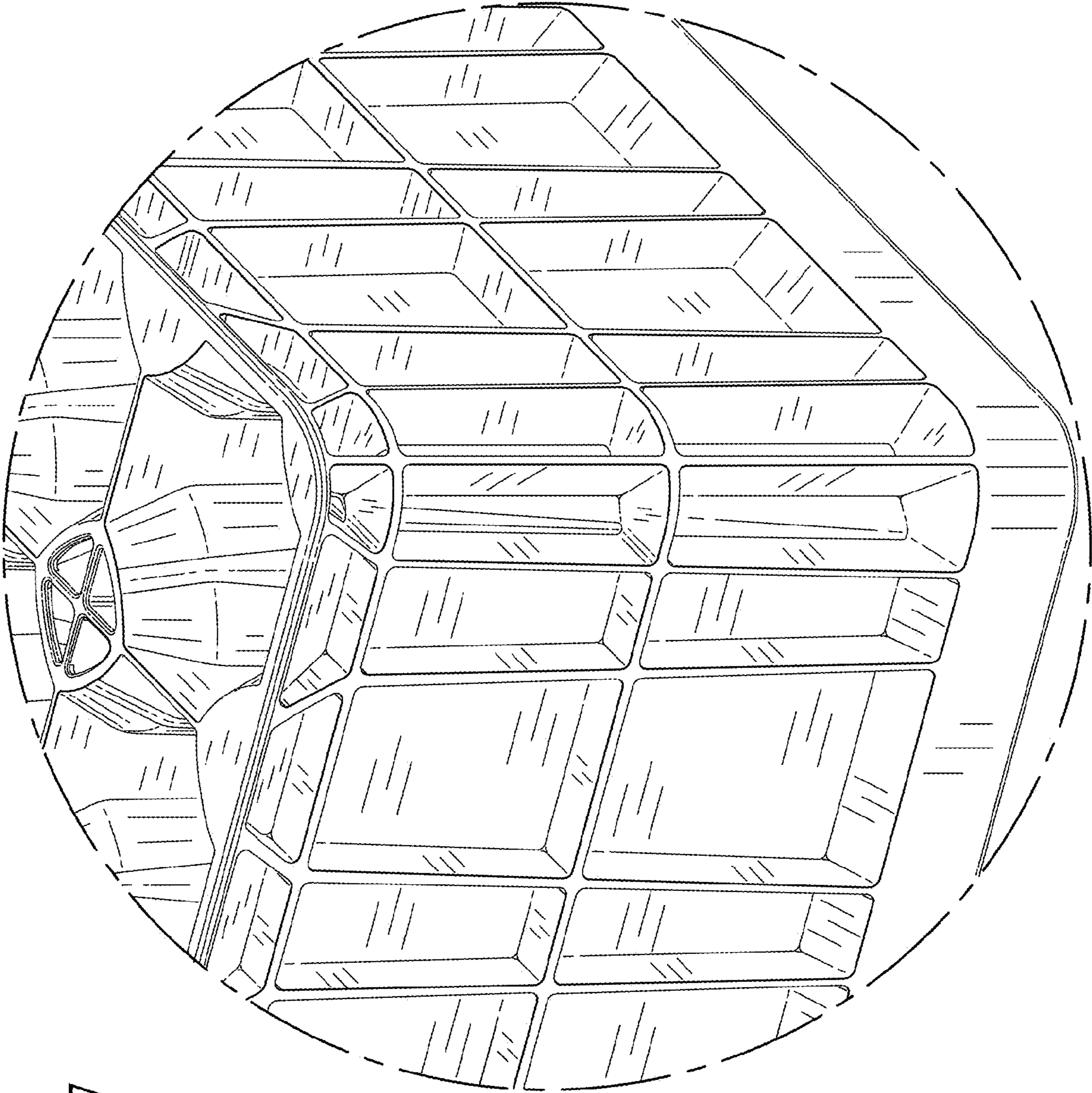


FIG. 7

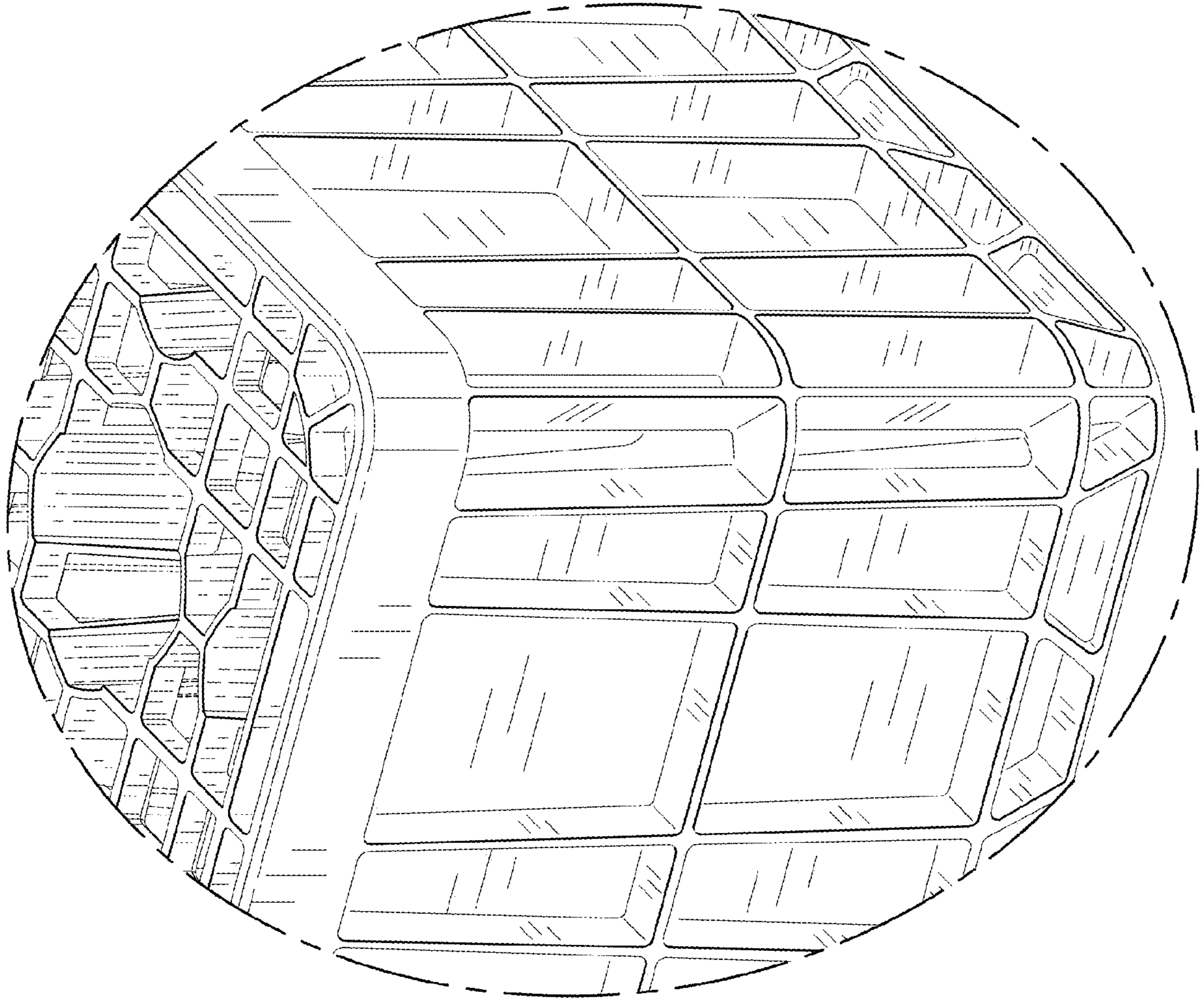


FIG. 8

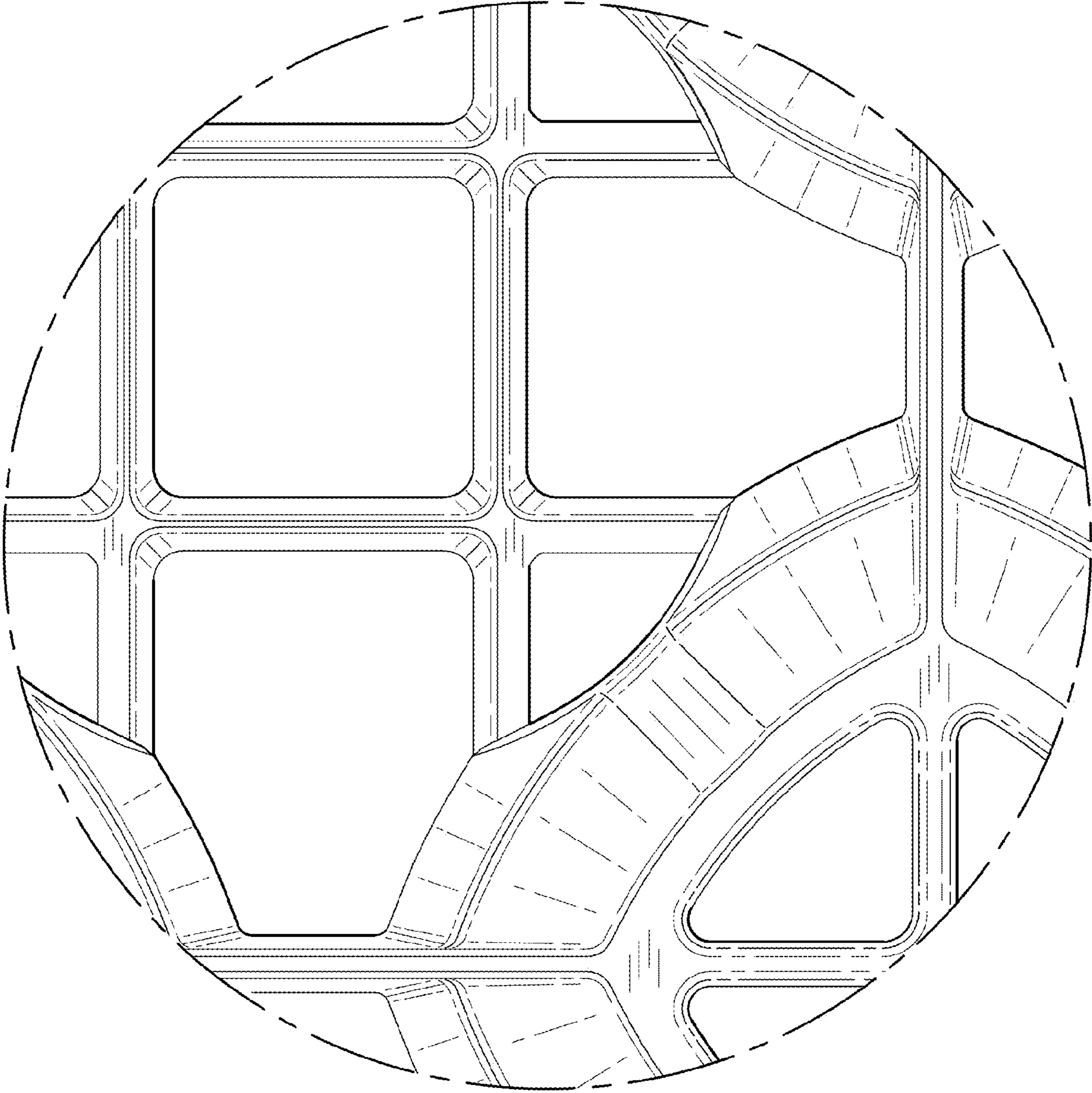


FIG. 9

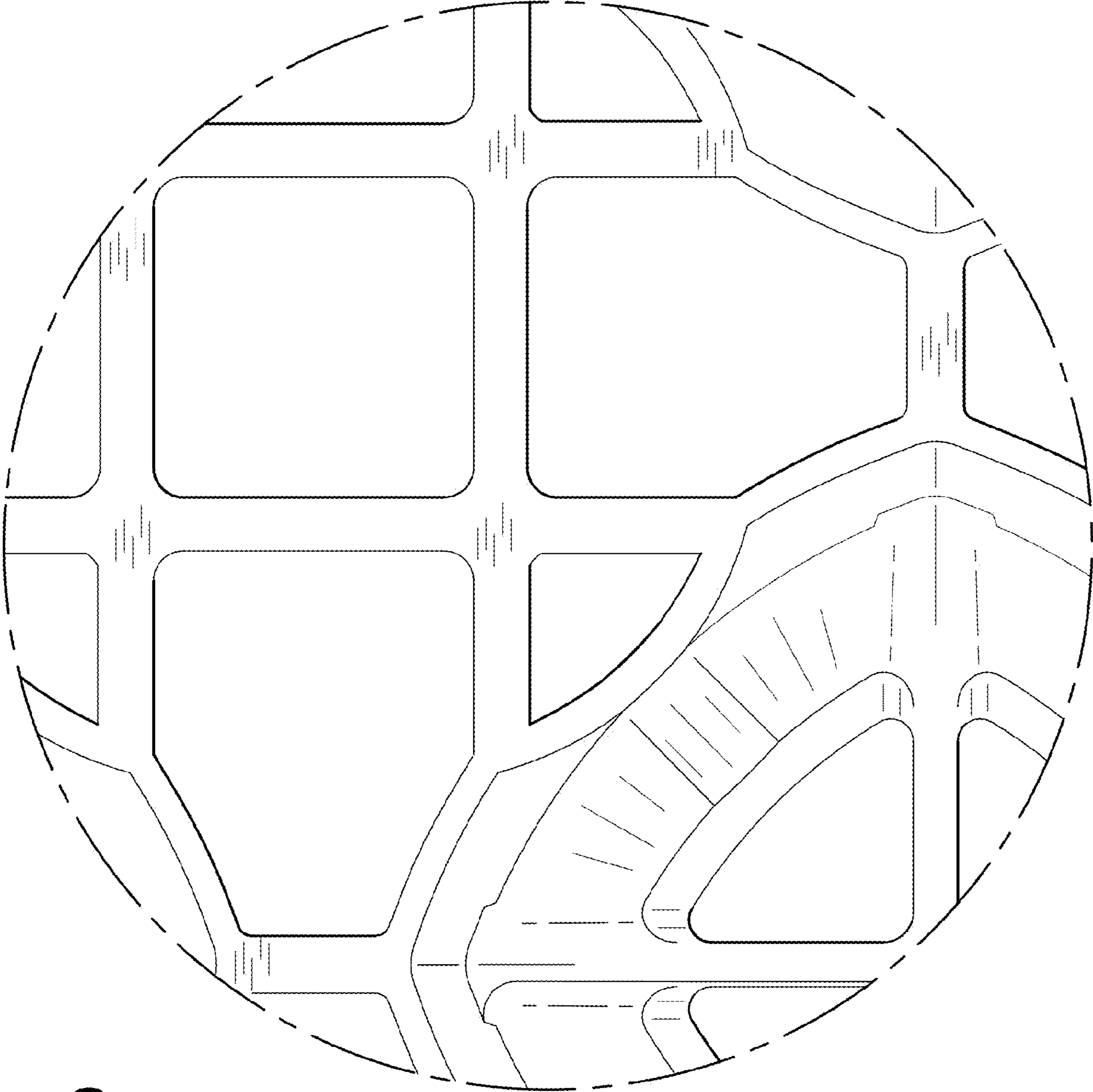


FIG. 10