



US00D894034S

(12) **United States Design Patent**  
**Xu**

(10) **Patent No.:** **US D894,034 S**

(45) **Date of Patent:** **\*\* Aug. 25, 2020**

(54) **FINGER RING SIZE ADJUSTER**  
(71) Applicant: **Guanhua Xu**, Ganzhou (CN)  
(72) Inventor: **Guanhua Xu**, Ganzhou (CN)

(\*\*) Term: **15 Years**

(21) Appl. No.: **29/692,593**

(22) Filed: **May 28, 2019**

(51) **LOC (12) Cl.** ..... **11-01**

(52) **U.S. Cl.**  
USPC ..... **D11/87**

(58) **Field of Classification Search**  
USPC ..... D11/86, 87  
CPC ..... A44C 9/00; A44C 9/01; A44C 9/02  
See application file for complete search history.

(56) **References Cited**

**U.S. PATENT DOCUMENTS**

3,028,736	A *	4/1962	Kahre Alfred H	.....	A44C 9/02 63/15.2
4,215,556	A *	8/1980	Mroz	.....	A44C 9/02 63/15.6
4,480,447	A *	11/1984	Lodrini	.....	A44C 9/02 63/15.6
5,253,491	A *	10/1993	Buontempo	.....	A44C 9/02 63/15.6

5,628,208	A *	5/1997	Rood	.....	A44C 9/02 63/15.5
5,636,531	A *	6/1997	Miller	.....	A44C 9/02 63/15.6
6,003,334	A *	12/1999	Miller	.....	A44C 9/02 63/15.5
6,354,106	B1 *	3/2002	Kataw	.....	A44C 9/02 63/15.5
D584,985	S *	1/2009	Lynch	.....	D11/26
7,735,337	B2 *	6/2010	Nanasi	.....	A44C 9/02 63/15.6

\* cited by examiner

*Primary Examiner* — Zenia I Bennett

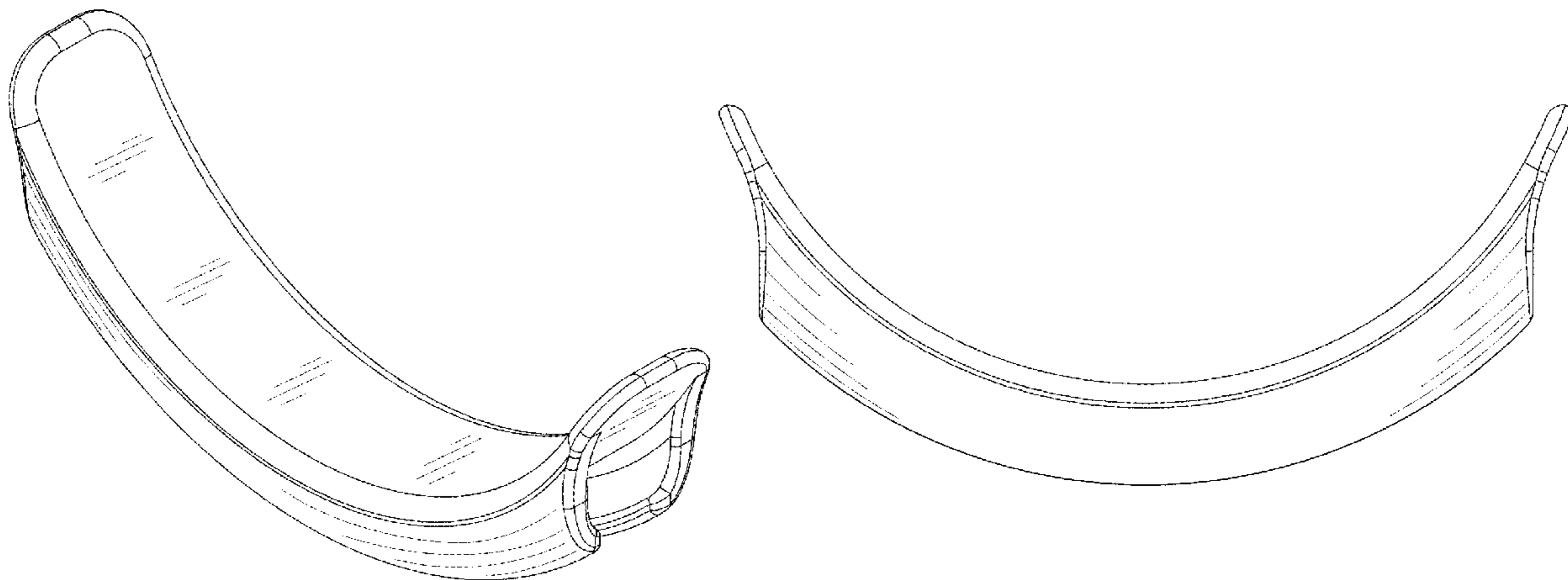
(57) **CLAIM**

The ornamental design for a finger ring size adjuster, as shown and described.

**DESCRIPTION**

FIG. 1 is a front, top perspective view of the finger ring size adjuster showing my new design;  
FIG. 2 is a front, bottom perspective view thereof;  
FIG. 3 is a front elevational view thereof;  
FIG. 4 is a rear elevational view thereof;  
FIG. 5 is a left side elevational view thereof;  
FIG. 6 is a right side elevational view thereof;  
FIG. 7 is a top plan view thereof; and,  
FIG. 8 is a bottom plan view thereof.

**1 Claim, 5 Drawing Sheets**



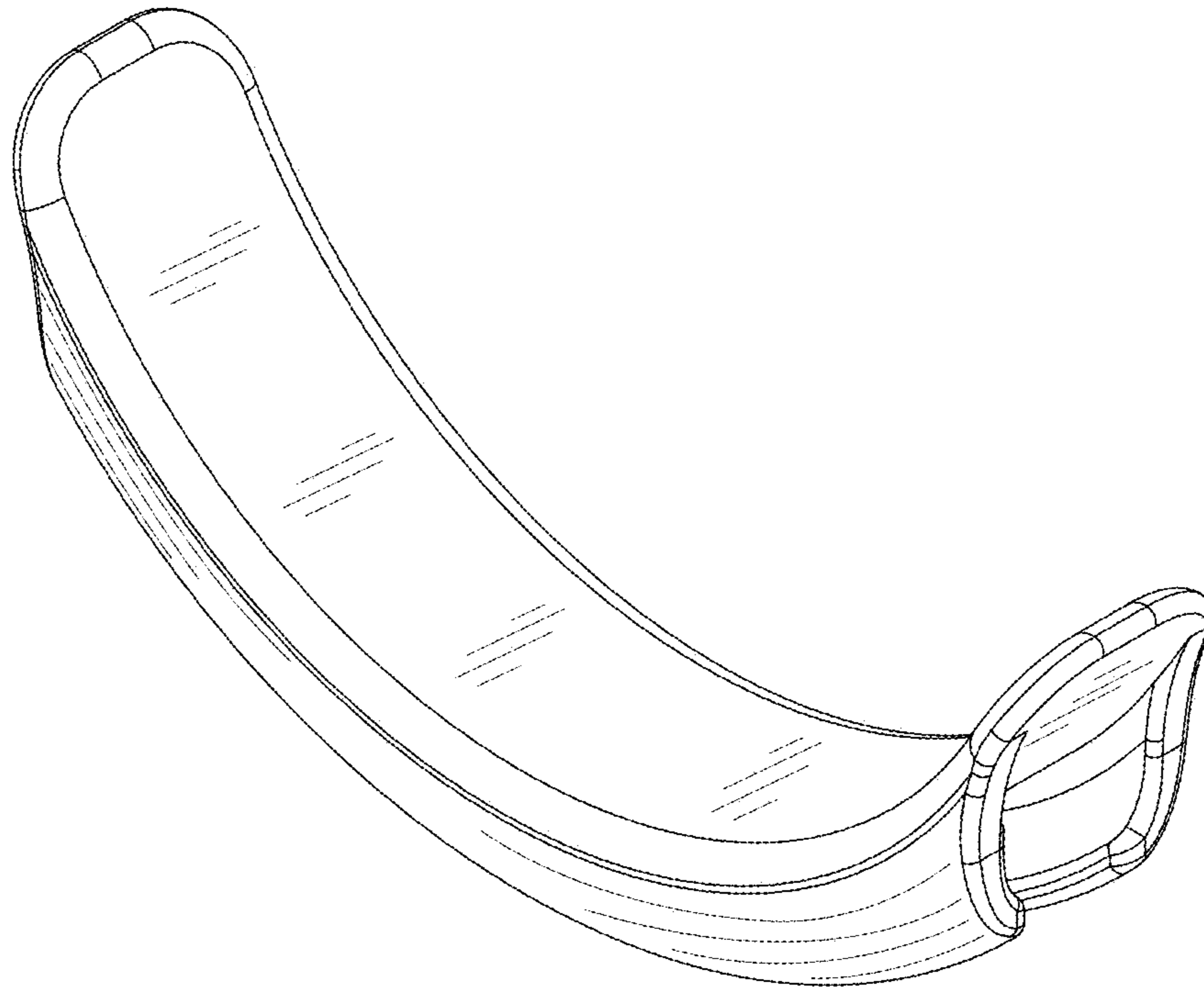


FIG.1

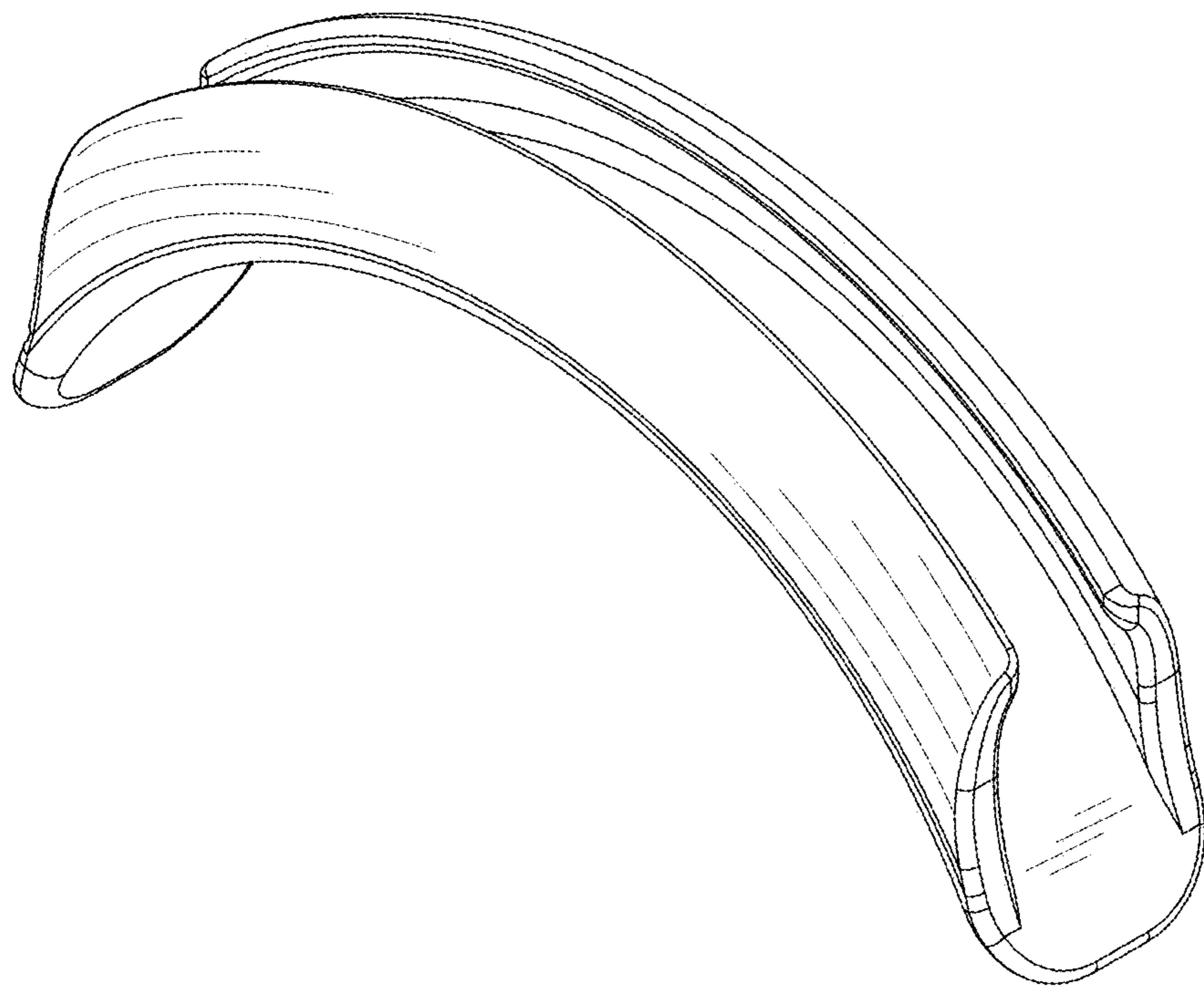


FIG.2

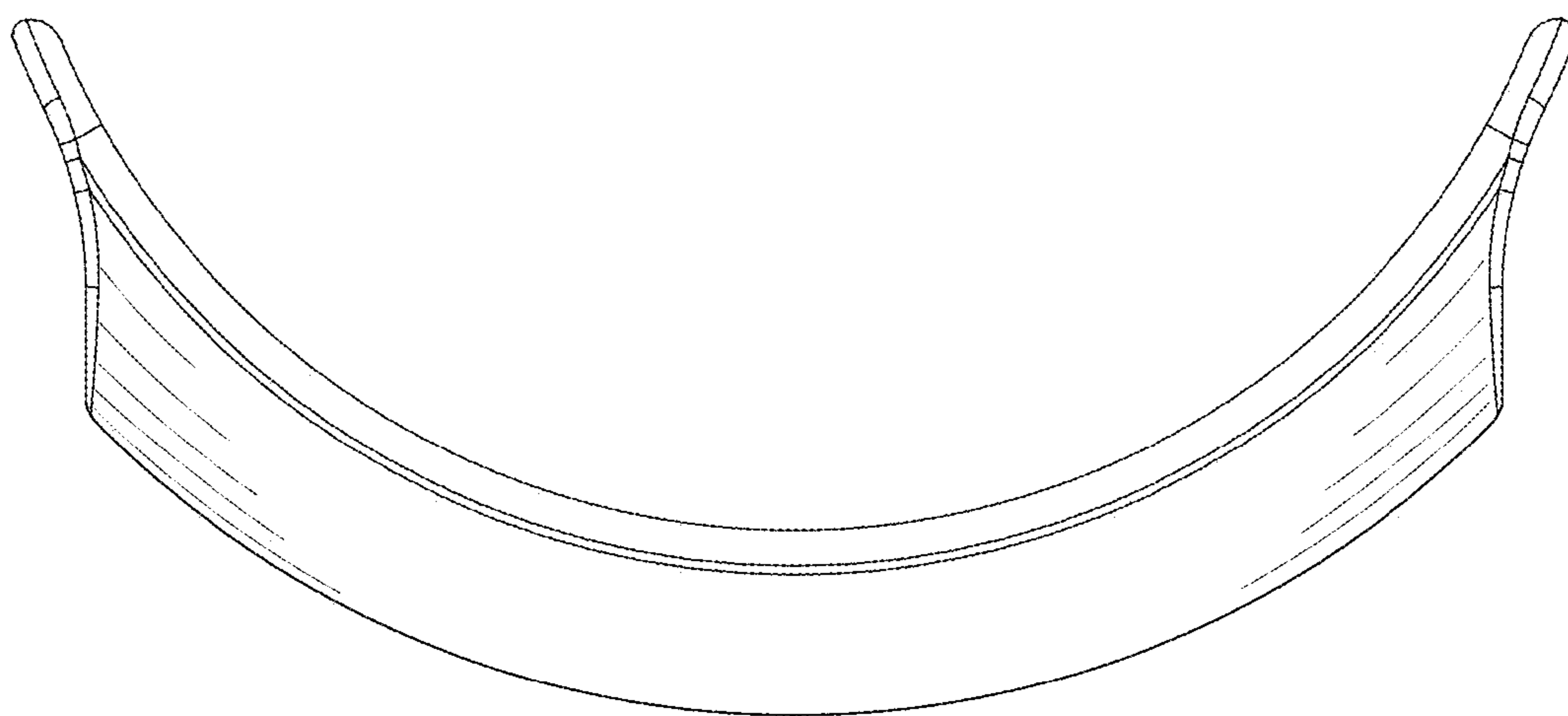


FIG. 3

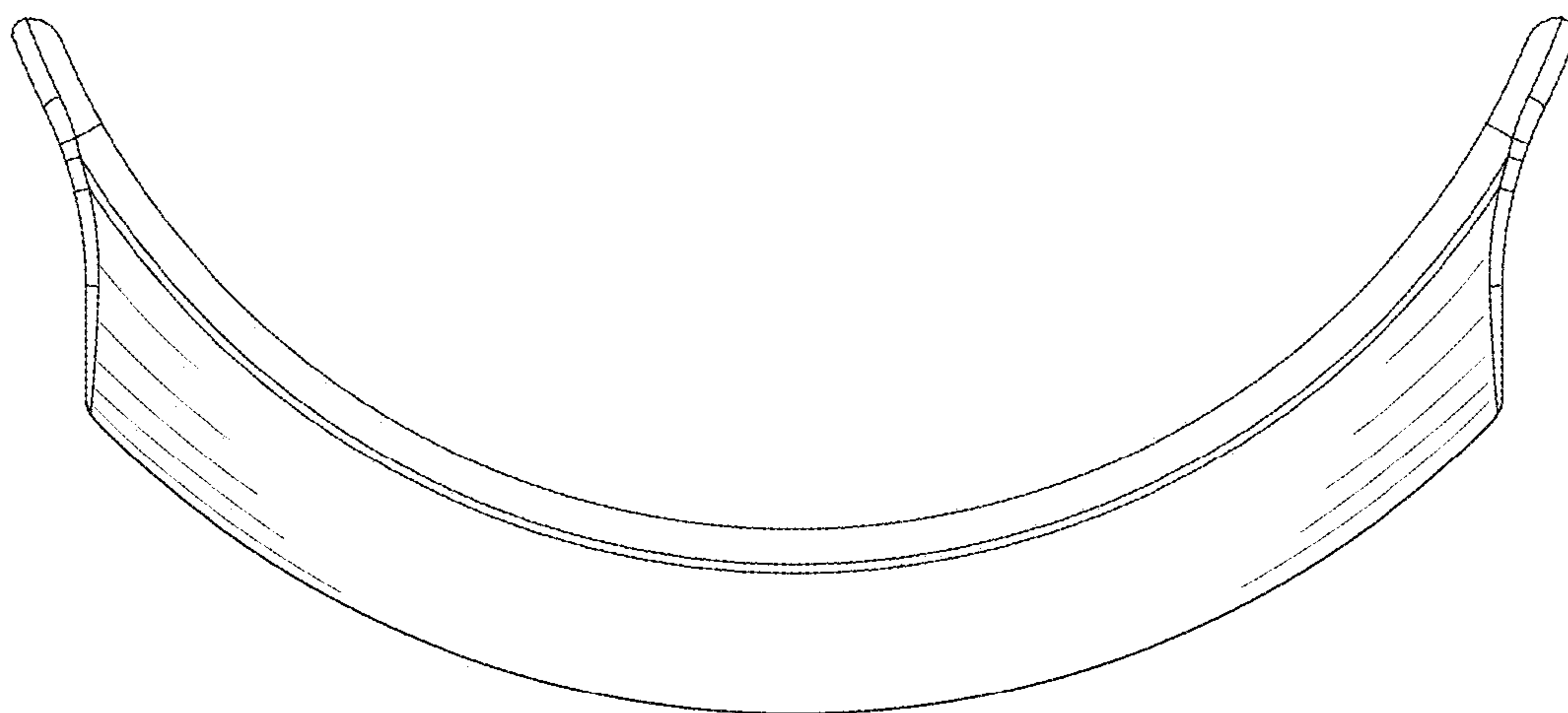


FIG. 4

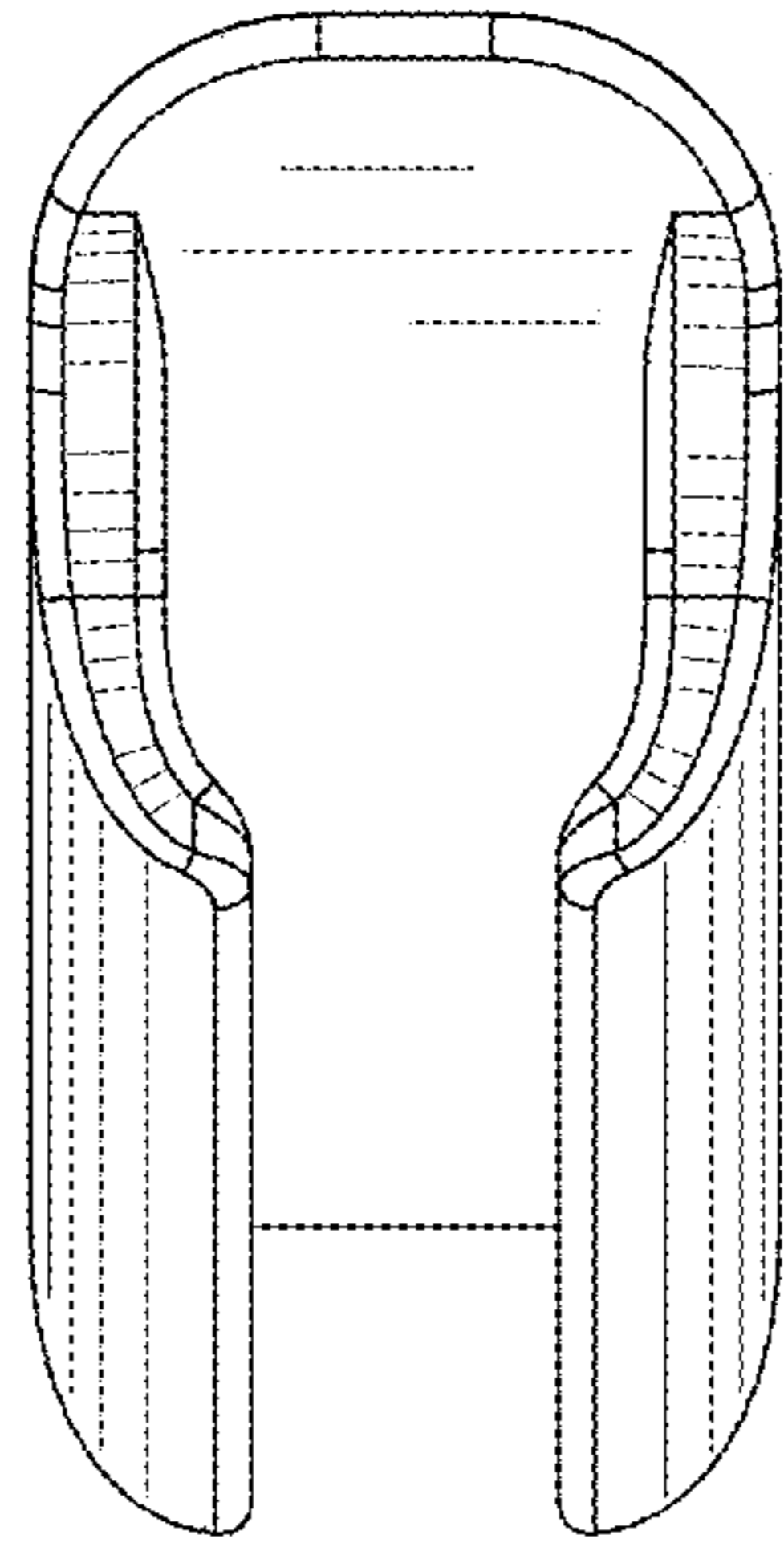


FIG. 5

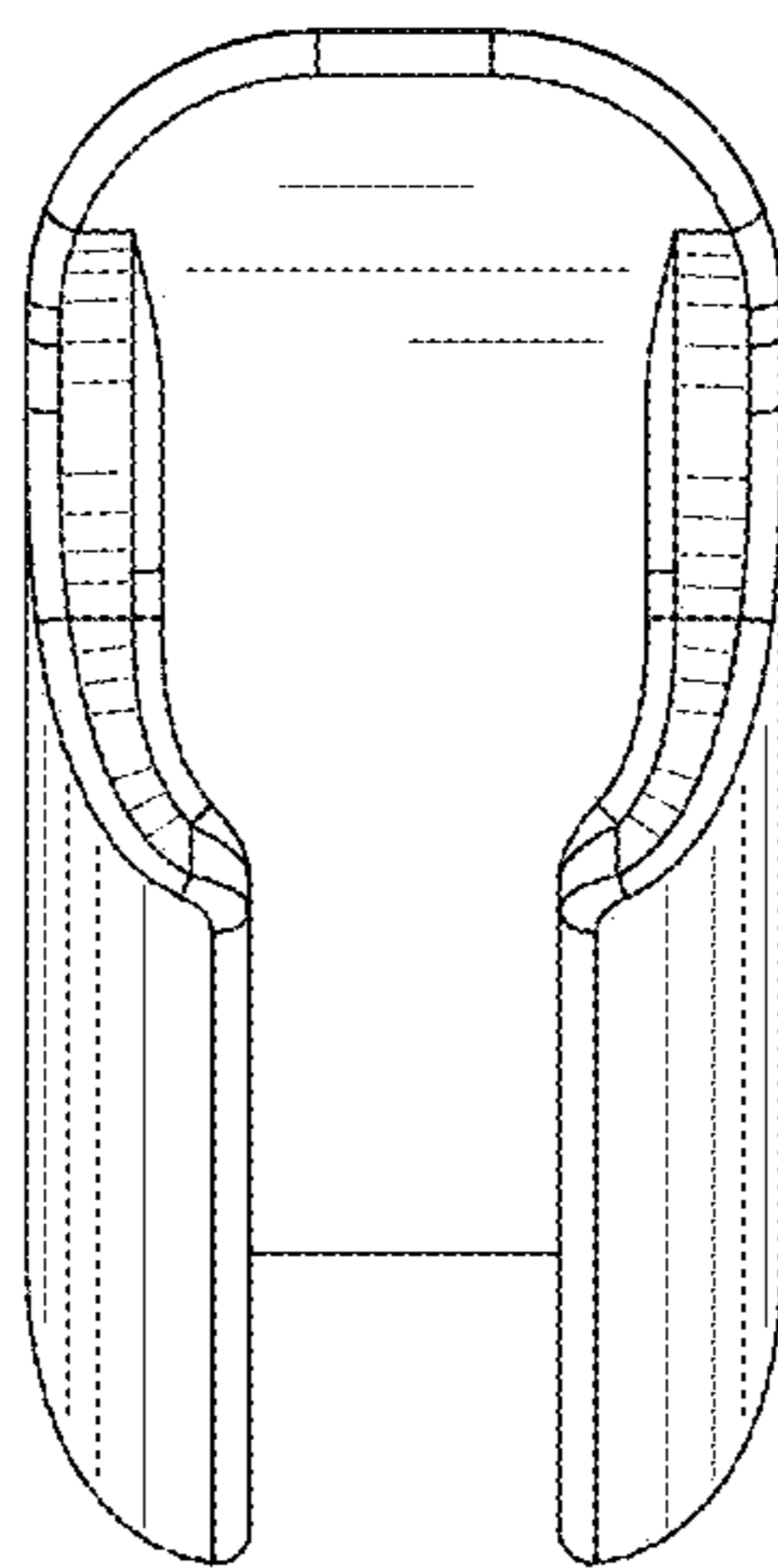


FIG. 6

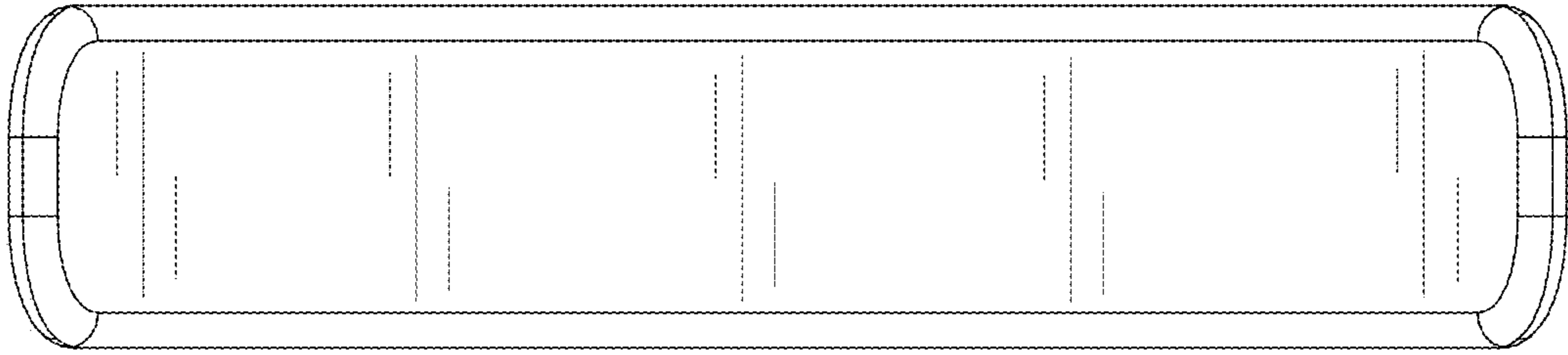


FIG. 7

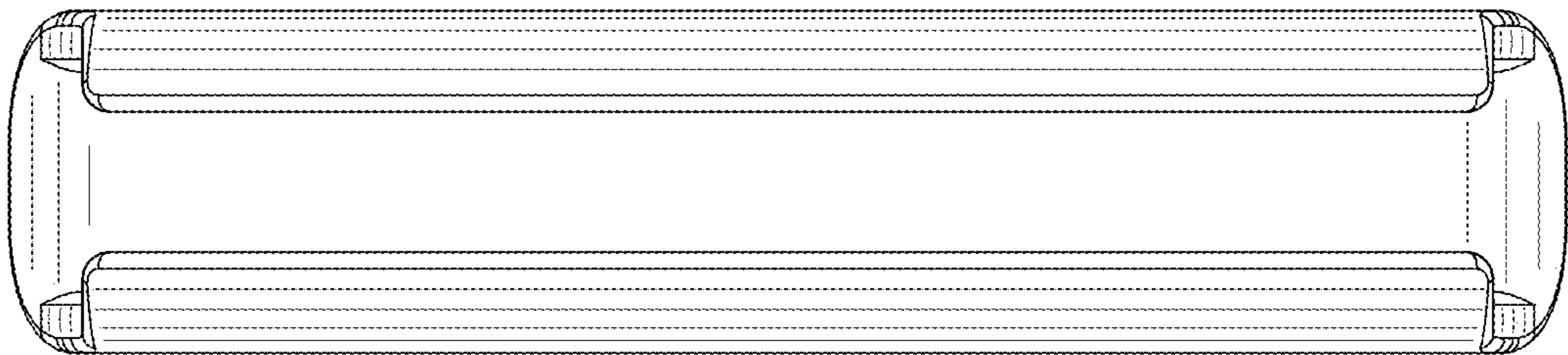


FIG. 8