



US00D894032S

(12) **United States Design Patent**  
**Devaney et al.**

(10) **Patent No.:** **US D894,032 S**  
(45) **Date of Patent:** **\*\* Aug. 25, 2020**

(54) **WRIST BAND**

- (71) Applicant: **Sol-Light, LLC**, Las Vegas, NV (US)
- (72) Inventors: **William F. Devaney**, Boston, MA (US);  
**Lauren Raimondi**, Salem, NH (US);  
**Norman Qin**, Dongguan (CN); **David Nelson**, Las Vegas, NV (US)
- (73) Assignee: **Sol-Light, LLC.**, Las Vegas, NV (US)
- (\*\*) Term: **15 Years**
- (21) Appl. No.: **29/671,048**
- (22) Filed: **Nov. 21, 2018**
- (51) **LOC (12) Cl.** ..... **11-01**
- (52) **U.S. Cl.**  
USPC ..... **D11/3**
- (58) **Field of Classification Search**  
USPC ..... D11/1-6, 9-26, 38, 39, 40-45, 48, 78.1,  
D11/79, 80, 81, 86, 87, 93, 94, 231, 234,  
D11/235; D10/32, 37; 116/321, 322;  
D19/1-8; D24/194; D30/160; D14/344;  
D3/306; D26/37, 39; D5/47, 53;  
D25/110, 114, 138, 149, 157; D2/635,  
D2/637  
CPC ..... A44C 5/14; A44C 5/0053; A44C 5/0069;  
A44C 5/0076; A44C 5/00; A44C 5/0007;  
A44C 5/0015; A44C 5/0023; A44C  
5/003; A44C 5/0061; A44C 5/12; A44C  
5/147; A44C 5/18; A44C 5/185; A44C  
5/2047; A44C 5/2052; A44C 11/00; A44C  
11/002; A44C 7/002; A44C 7/003; A44C  
7/004;

(Continued)

(56) **References Cited**

**U.S. PATENT DOCUMENTS**

- 1,830,188 A \* 11/1931 Bellavance ..... A44C 5/107  
59/80
- D143,136 S \* 12/1945 Cole ..... D11/43

(Continued)

**FOREIGN PATENT DOCUMENTS**

WO WO D093638-001 \* 1/2017

**OTHER PUBLICATIONS**

Wrist Lights LED Watch Flashlight, no date available, [online], [site visited Dec. 24, 2019]. Retrieved from url:https://www.taifashop.com/products/wrist-lights-led-watch-flashlight-torch-lights-sports-waterproof-usb-rechargeable-watch-lamp-for-night-running-walking (Year: 2019).\*

(Continued)

*Primary Examiner* — Michelle E. Wilson

*Assistant Examiner* — Tracey J Bell

(74) *Attorney, Agent, or Firm* — Banner & Witcoff, Ltd.

(57) **CLAIM**

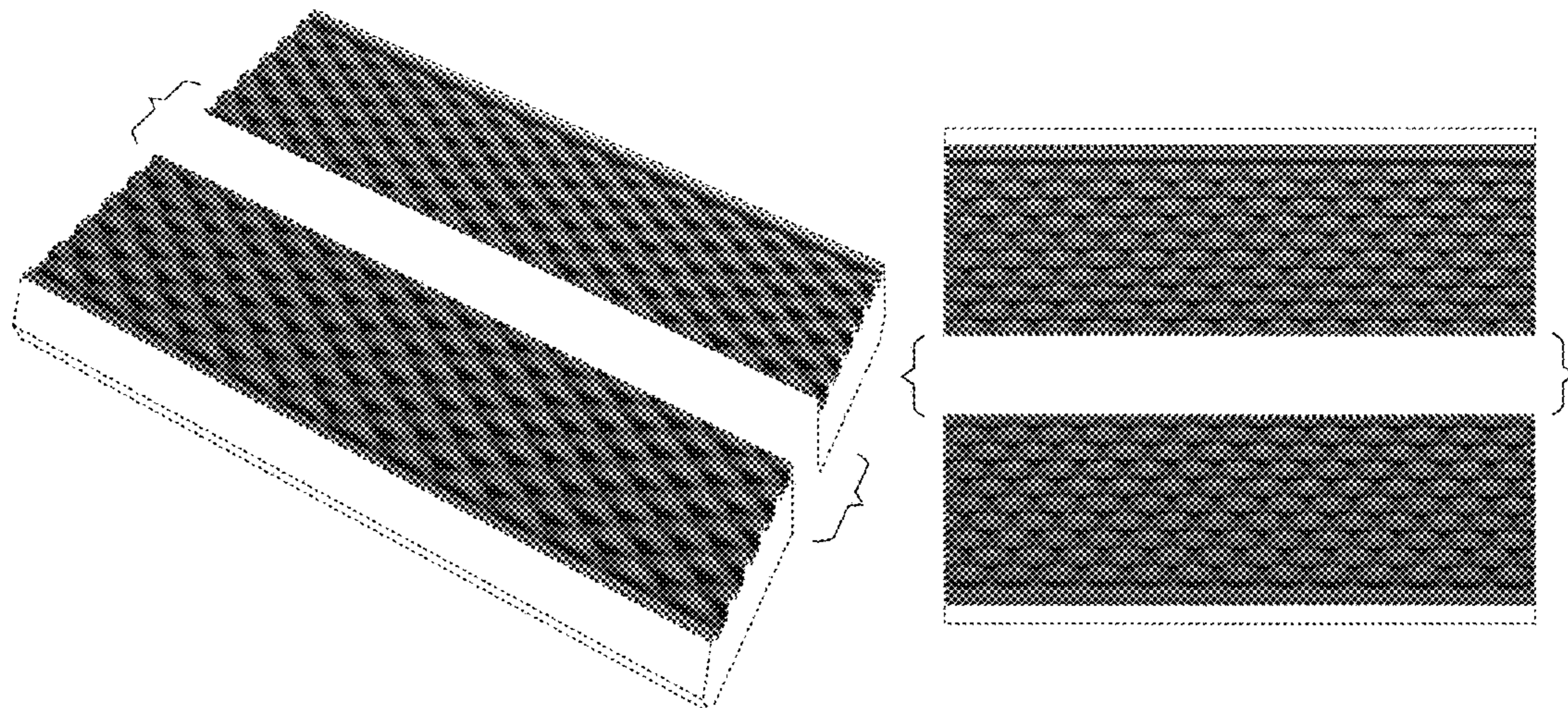
The ornamental design for a wrist band, as shown and described.

**DESCRIPTION**

FIG. 1 is a front perspective photographic view of a wrist band showing our new design;  
FIG. 2 is a top view thereof;  
FIG. 3 is a front view thereof;  
FIG. 4 is a rear view thereof;  
FIG. 5 is a right side view thereof;  
FIG. 6 is a left side view thereof; and,  
FIG. 7 is a front perspective view of the wrist band of FIGS. 1-6 shown in an exemplary environment with a complete wrist band.

The broken lines immediately adjacent to the photographic areas represent the bounds of the claimed design and form no part thereof. The broken lines depicting the remainder of the wrist band show features that form no part of the claimed design. The wrist band is shown with a symbolic break in length in FIGS. 1-6. The appearance of any portion of the wrist band between the break lines indicated by brackets forms no part of the claimed design.

**1 Claim, 5 Drawing Sheets**



- (58) **Field of Classification Search**  
 CPC ..... A44C 7/005; A44C 7/006; A44C 7/007;  
 A44C 7/008; A44C 7/009; A44C 15/005;  
 A44C 15/0055; A44C 23/00; A44C  
 25/008; A44C 5/04; A44C 5/06; A44C  
 5/08; A44C 5/10; A44C 5/022; A44C  
 5/025; A44C 5/027; A44C 5/102; A44C  
 5/105; A44C 5/107; G06M 1/24; G09F  
 3/005; G04B 37/1486; G04B 37/00  
 See application file for complete search history.

(56) **References Cited**

U.S. PATENT DOCUMENTS

2,928,100	A *	3/1960	Gagnon	.....	A44C 5/102 2/339
3,259,283	A *	7/1966	Moinat	.....	G04B 37/14 224/164
D214,937	S *	8/1969	Uengsakul	.....	D11/21
D299,067	S *	12/1988	Forsberg	.....	D25/116
D299,912	S *	2/1989	Goldman	.....	D11/12
D322,765	S *	12/1991	Cowan	.....	D11/19
D338,174	S *	8/1993	Cowan	.....	D11/19
D345,926	S *	4/1994	Houlihan	.....	D10/32
D377,614	S *	1/1997	Wunderman	.....	D10/32
D396,302	S *	7/1998	Cziczeli	.....	D25/58
D473,146	S *	4/2003	Rufenacht	.....	D10/32
D473,475	S *	4/2003	Baumann	.....	D10/32
D474,707	S *	5/2003	Sciacca	.....	D11/3

D478,515	S *	8/2003	Sugiura	.....	D10/32
D523,761	S *	6/2006	Bedat	.....	D10/32
D565,429	S *	4/2008	Modolo	.....	D10/32
D588,487	S *	3/2009	Hartzband	.....	D11/12
D589,377	S *	3/2009	Kawashima	.....	D10/32
D591,176	S *	4/2009	Monachon	.....	D10/32
D599,681	S *	9/2009	Chen	.....	D10/32
D645,765	S *	9/2011	Giannini	.....	D10/32
D729,076	S *	5/2015	Monachon	.....	D10/32
D814,329	S *	4/2018	Marchand	.....	D11/13
D834,439	S *	11/2018	Monachon	.....	D11/3
D838,619	S *	1/2019	Akana	.....	D11/3
D848,301	S *	5/2019	Lee	.....	D11/3
D857,542	S *	8/2019	Sun	.....	D11/3
D869,295	S *	12/2019	Lee	.....	D10/32
2004/0134183	A1 *	7/2004	Mace	.....	A44C 5/107 59/82

OTHER PUBLICATIONS

Amazon Watch Band Silicone Milanese Embossed Strap, May 7, 2019, [online], [site visited Dec. 24, 2019]. Retrieved from url:<https://www.amazon.com/Silicone-Milanese-Embossed-Orange-Replacement/dp/B07RFRC4FM> (Year: 2019).\*

StrapsCo Quick Release Silicone Strap for Huawei and Samsung Classic, no date available, [online], [site visited Dec. 23, 2019]. Retrieved from url:<https://strapsco.com/product/quick-release-silicone-strap-for-huawei-and-samsung-classic/> (Year: 2019).\*

\* cited by examiner

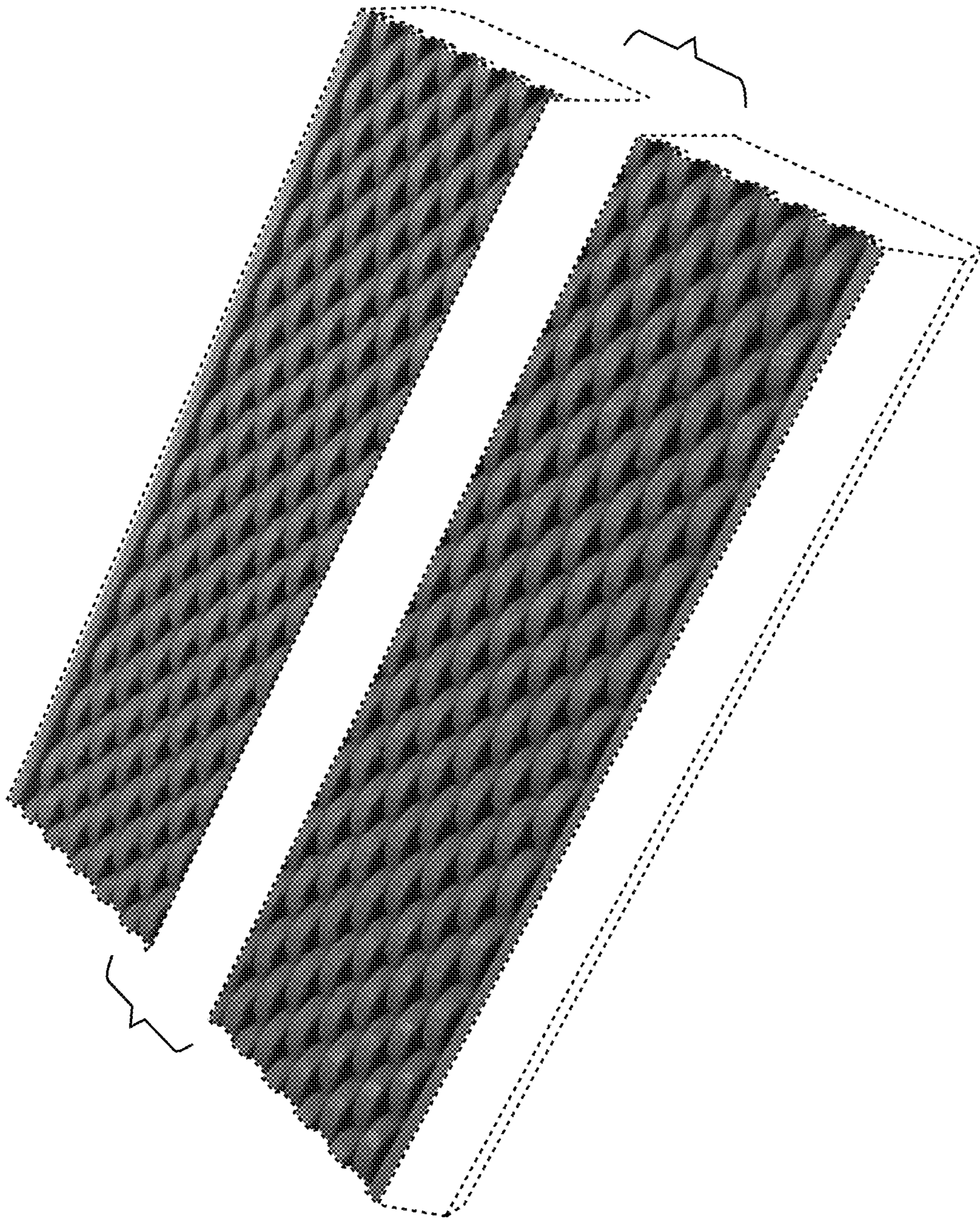


FIG. 1

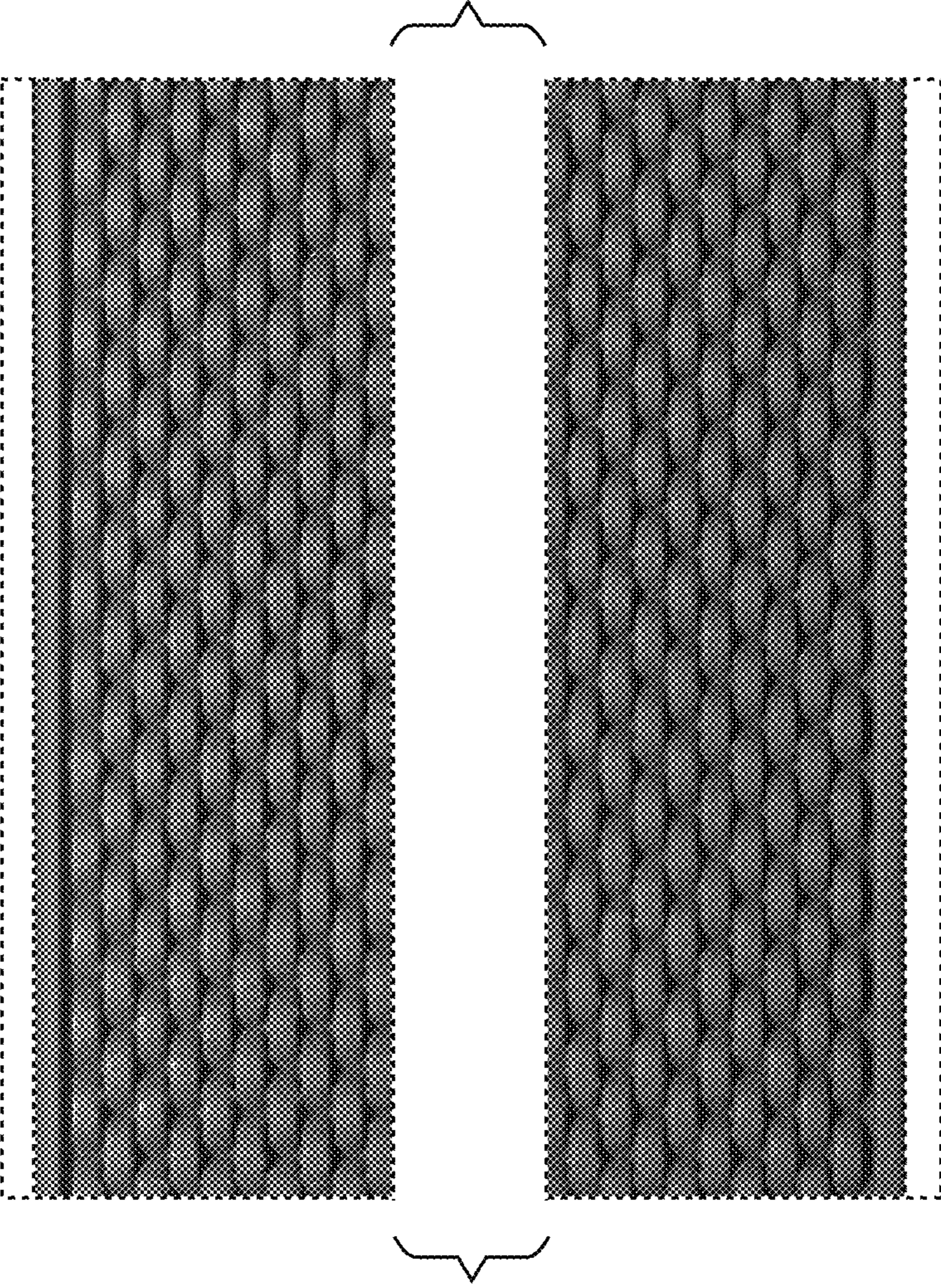
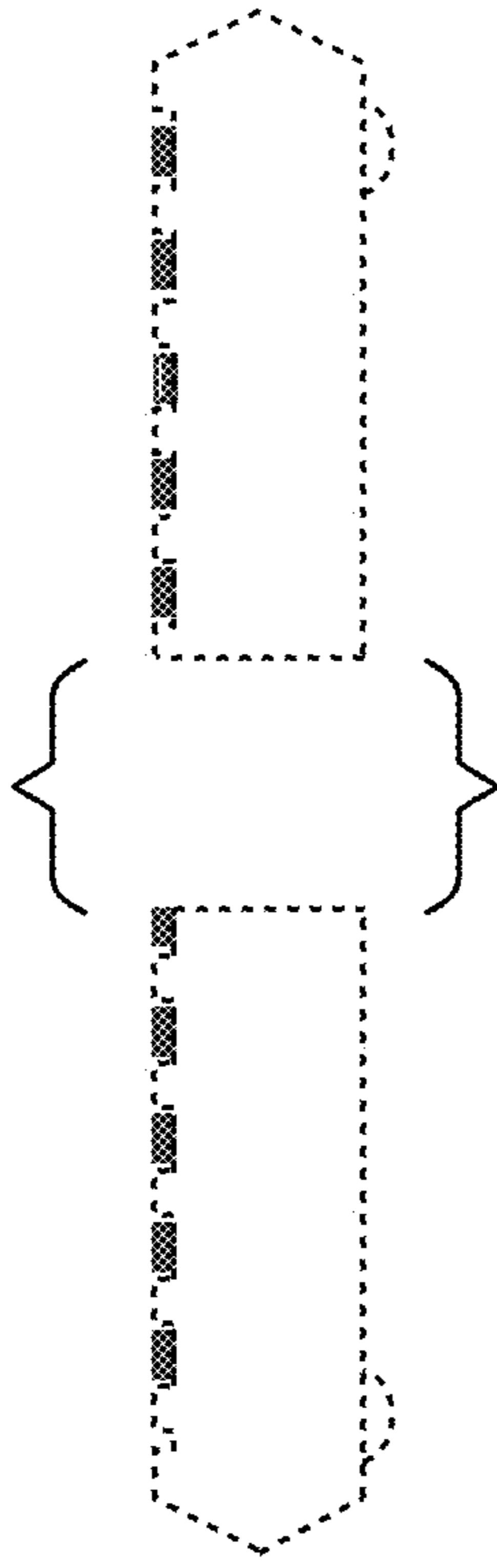
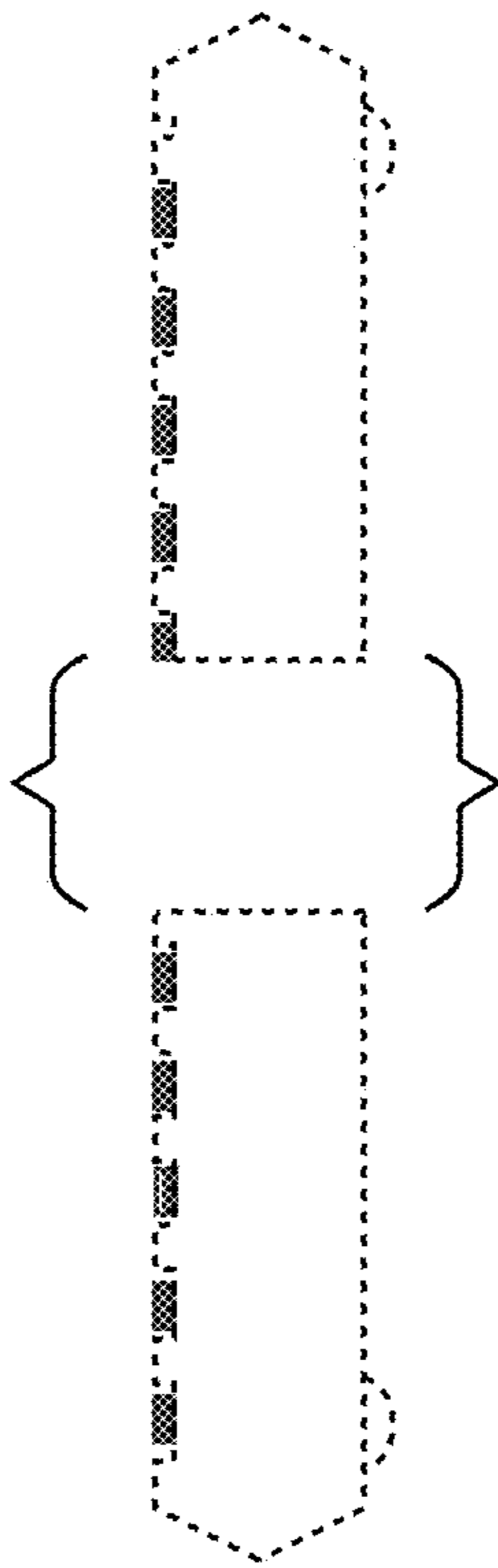


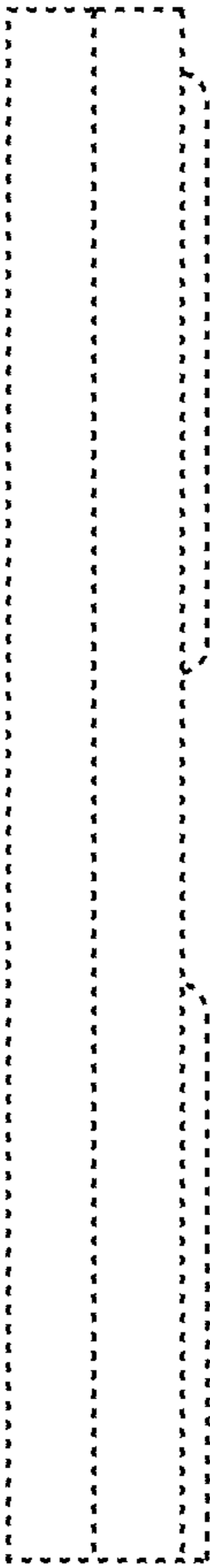
FIG. 2



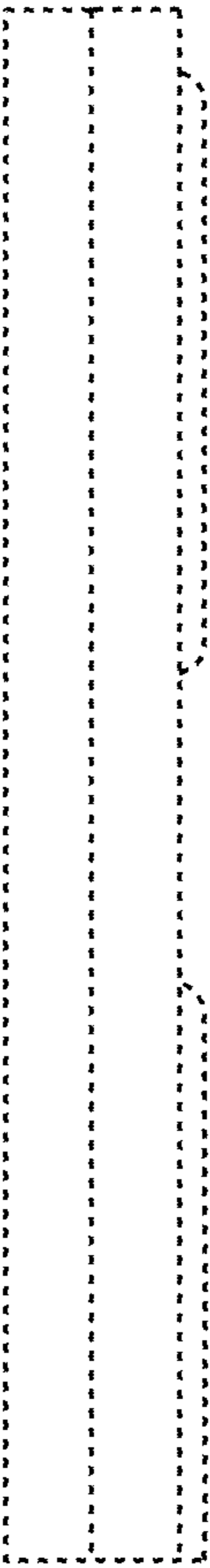
**FIG. 4**



**FIG. 3**



**FIG. 5**



**FIG. 6**

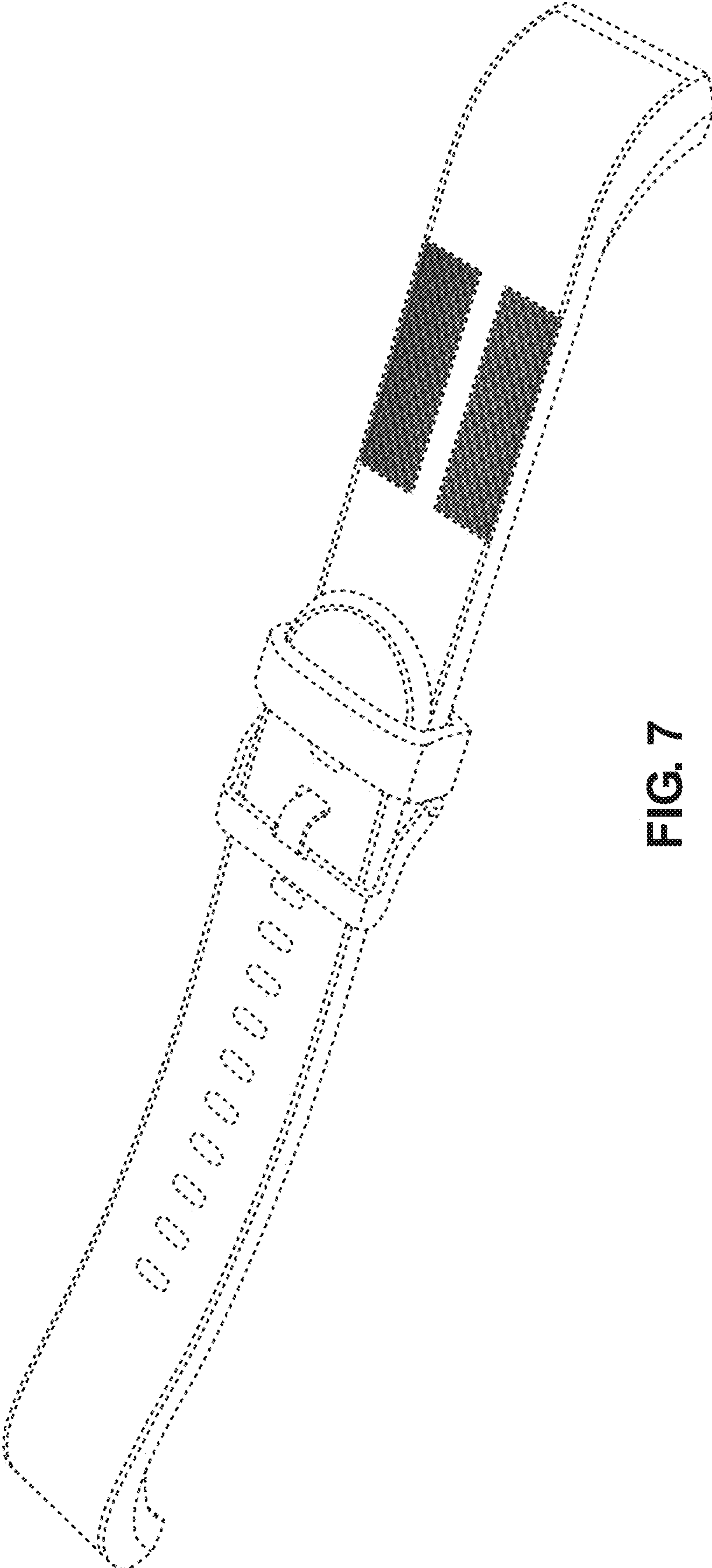


FIG. 7