



US00D894029S

(12) **United States Design Patent**
Aldape

(10) **Patent No.:** **US D894,029 S**

(45) **Date of Patent:** **** Aug. 25, 2020**

(54) **SOUNDER HOUSING**

(71) Applicant: **Electronic Controls Company**, Boise, ID (US)

(72) Inventor: **John Luis Aldape**, Boise, ID (US)

(73) Assignee: **Electronic Controls Company**, Boise, ID (US)

(**) Term: **15 Years**

(21) Appl. No.: **29/662,576**

(22) Filed: **Sep. 6, 2018**

(51) **LOC (12) Cl.** **10-05**

(52) **U.S. Cl.**
USPC **D10/116.1**

(58) **Field of Classification Search**
USPC D10/116.1, 119.1, 120, 121; D14/167, D14/168, 170-172, 188, 194-196, 204, D14/209.1, 210-216, 219, 221, 222, 224, D14/239, 496
See application file for complete search history.

(56) **References Cited**

U.S. PATENT DOCUMENTS

D485,201 S * 1/2004 Corrigan D10/120
D514,466 S * 2/2006 Lai D10/120

D514,973 S * 2/2006 Coward D10/120
D516,448 S * 3/2006 Lai D10/120
D558,080 S * 12/2007 Kodama D10/116.1
D639,688 S * 6/2011 Neufeglise D10/116.1
D804,347 S * 12/2017 Satoh D10/116.1
10,158,938 B1 * 12/2018 Jang H04R 1/30
D874,436 S * 2/2020 Goltche D14/215

* cited by examiner

Primary Examiner — Michael C Stout

Assistant Examiner — Katrina N Gonzalez

(74) *Attorney, Agent, or Firm* — Stoel Rives LLP; Robert R. Teel

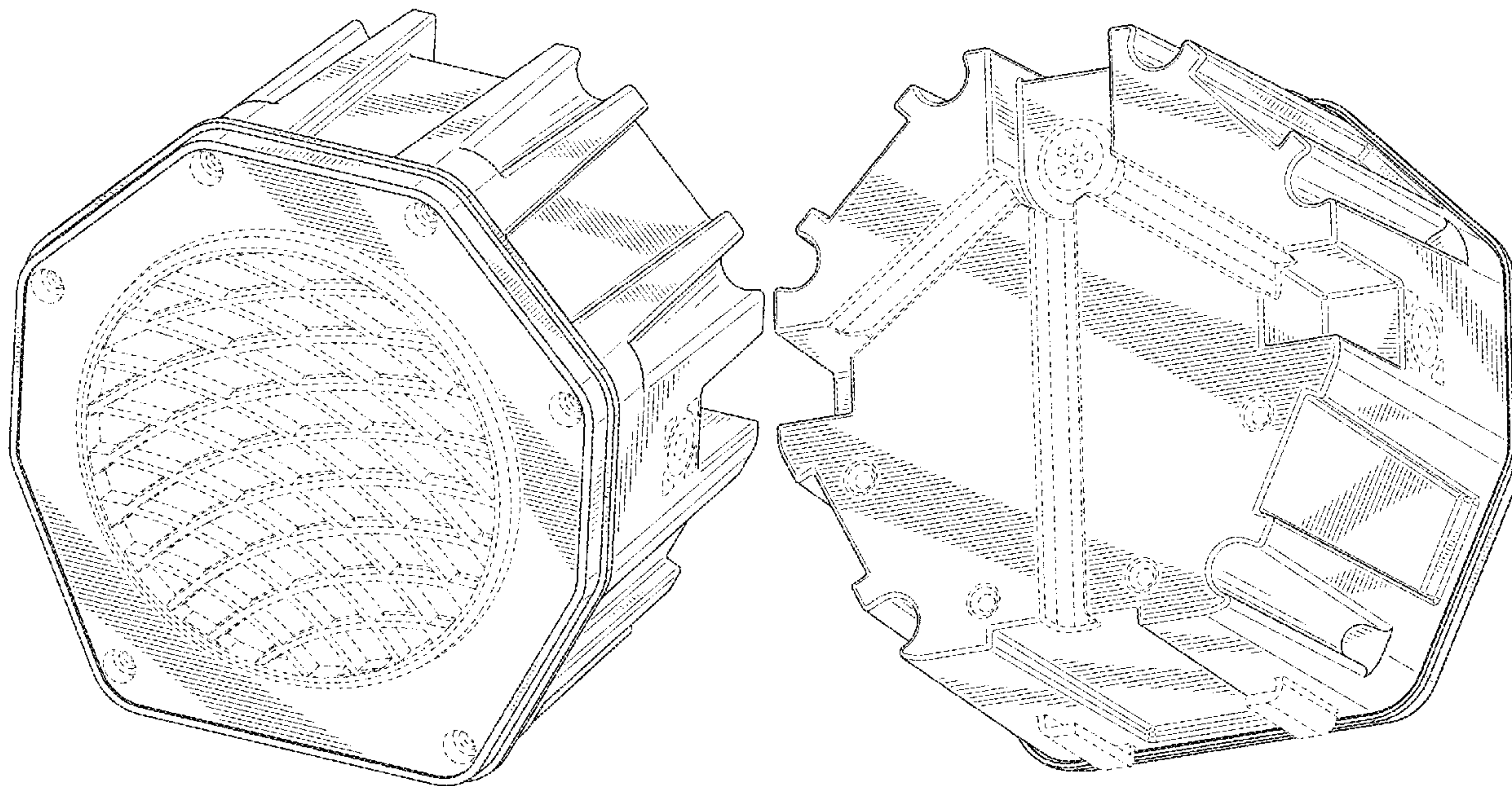
(57) **CLAIM**

The ornamental design for a sounder housing, substantially as shown and described.

DESCRIPTION

FIG. 1 is a front isometric view of a sounder housing; FIG. 2 is a rear isometric view thereof; FIG. 3 is a right side elevational view thereof, the left side elevational view being the mirror image of the right side elevational view; FIG. 4 is a rear elevational view thereof; FIG. 5 is a top plan view thereof; and, FIG. 6 is a bottom plan view thereof. The broken lines illustrate portions of the sounder housing, that form no part of the claimed design.

1 Claim, 4 Drawing Sheets



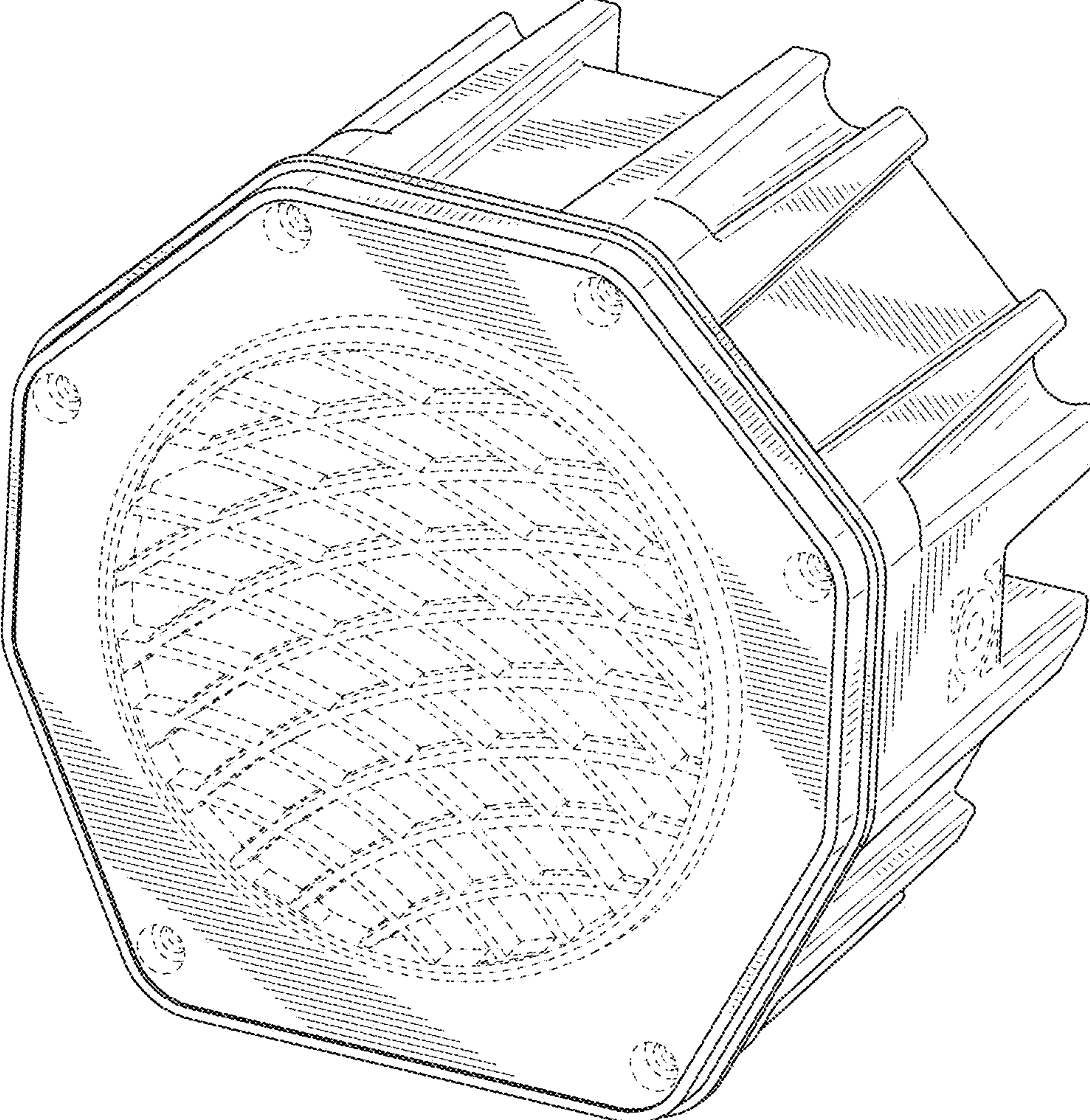


FIG. 1

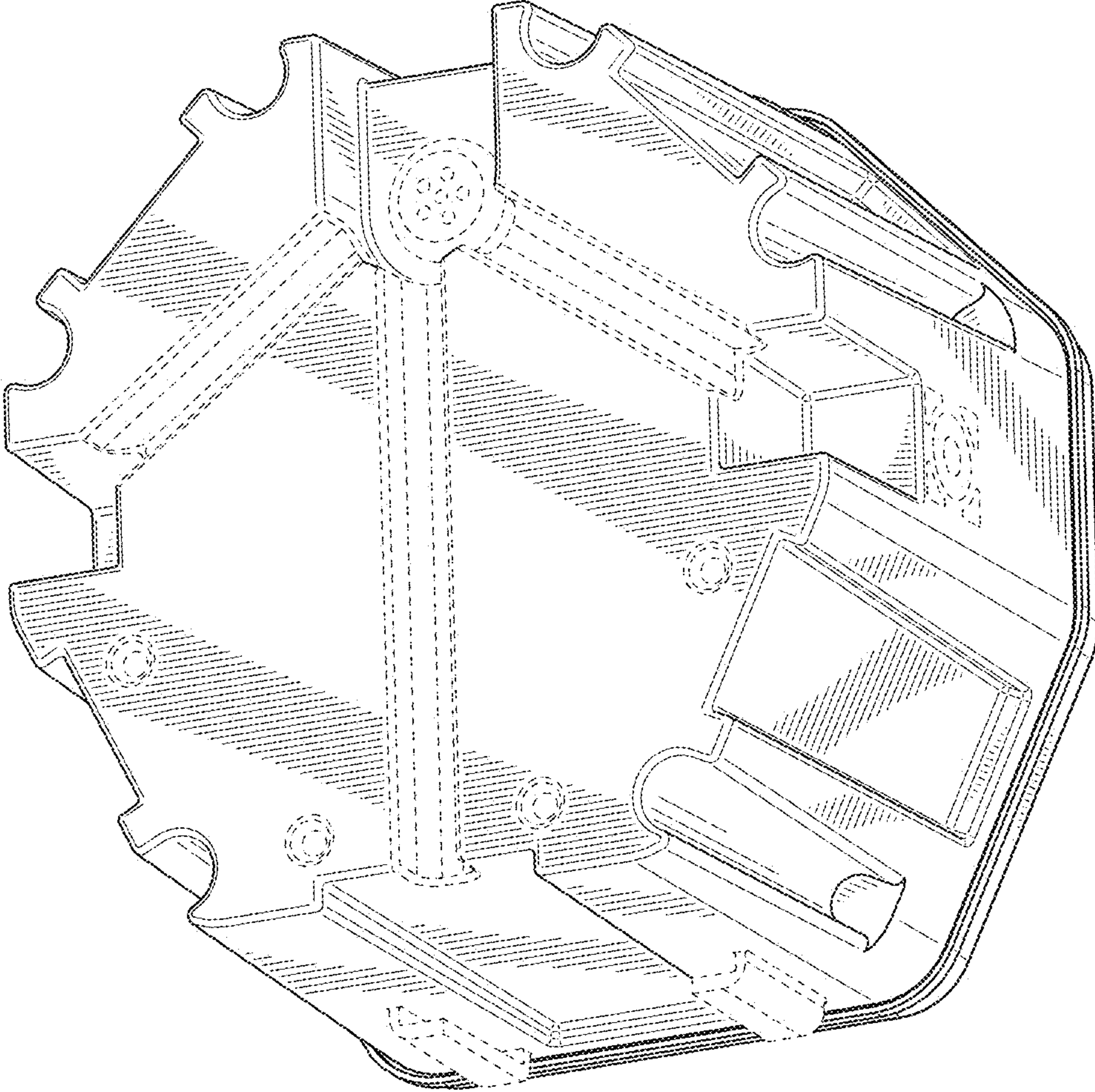


FIG. 2

FIG. 3

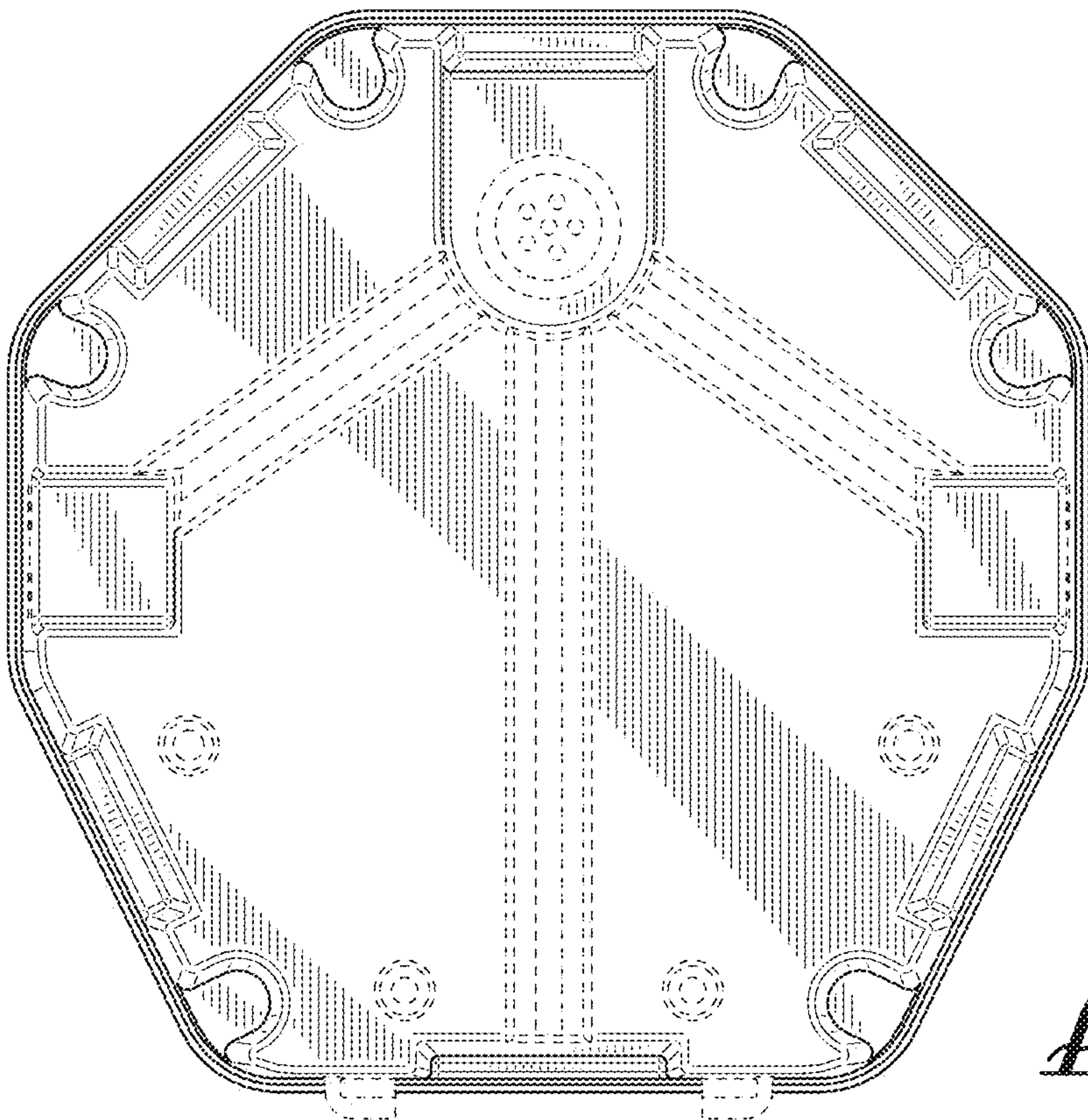
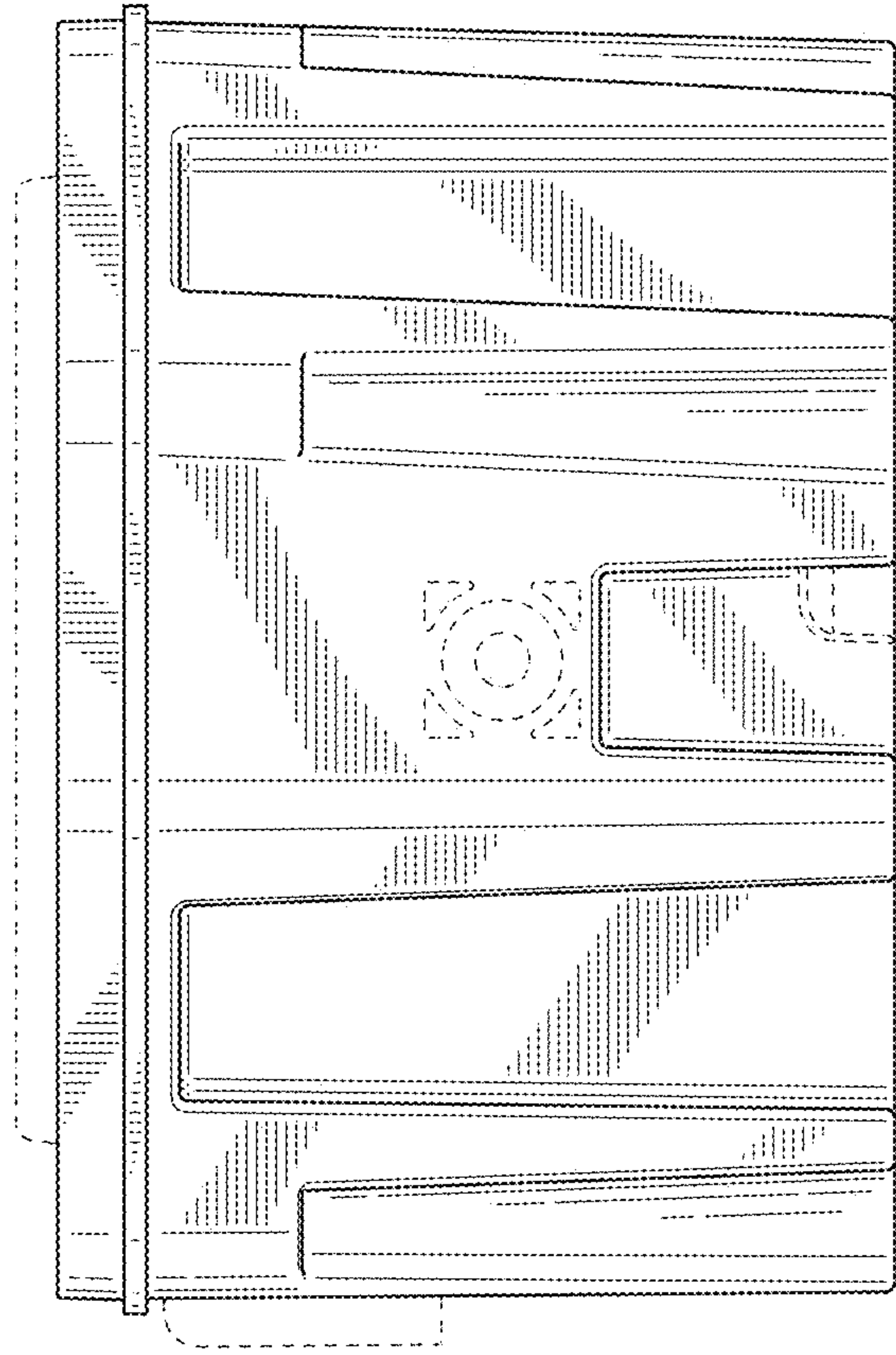


FIG. 4

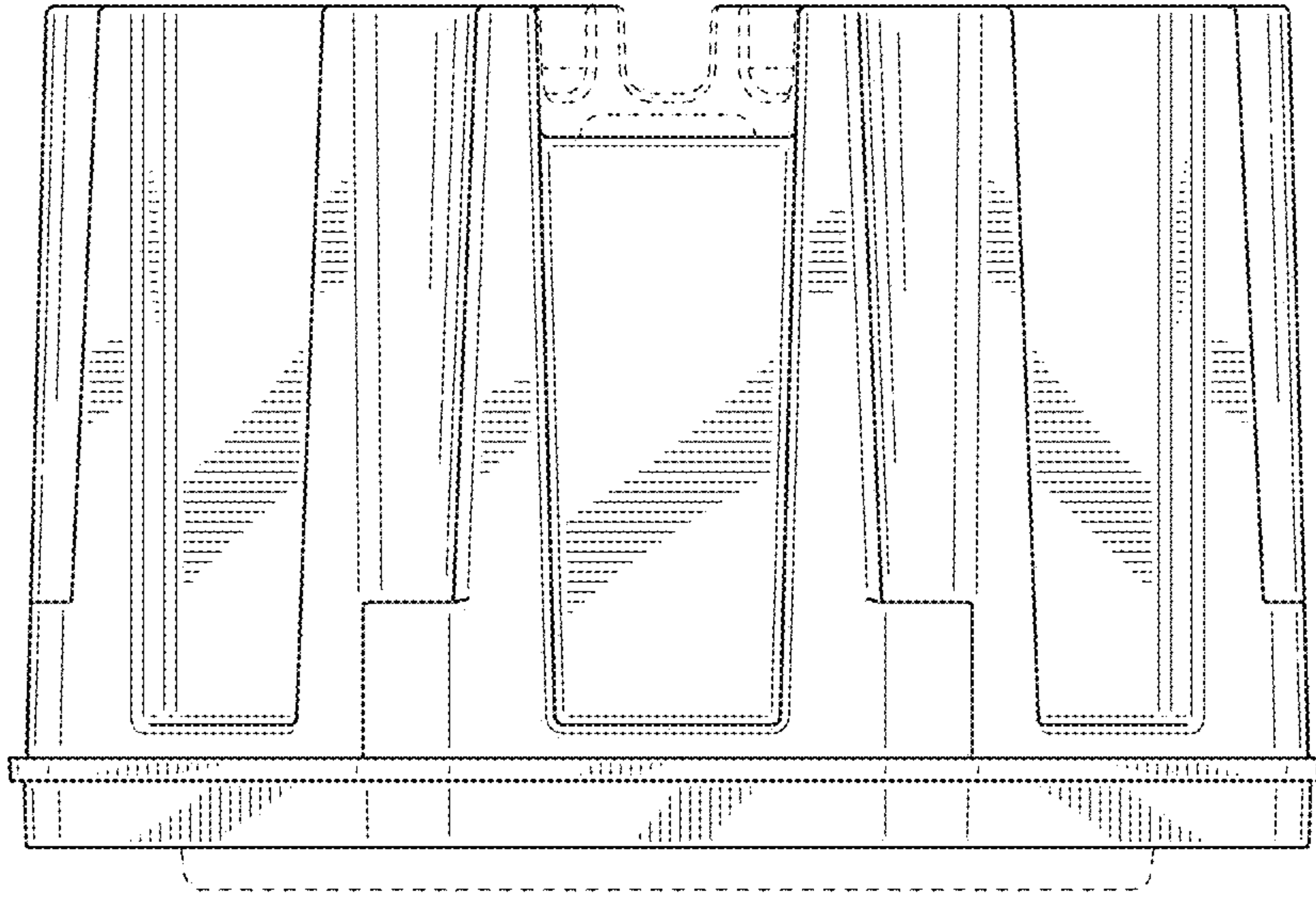


FIG. 5

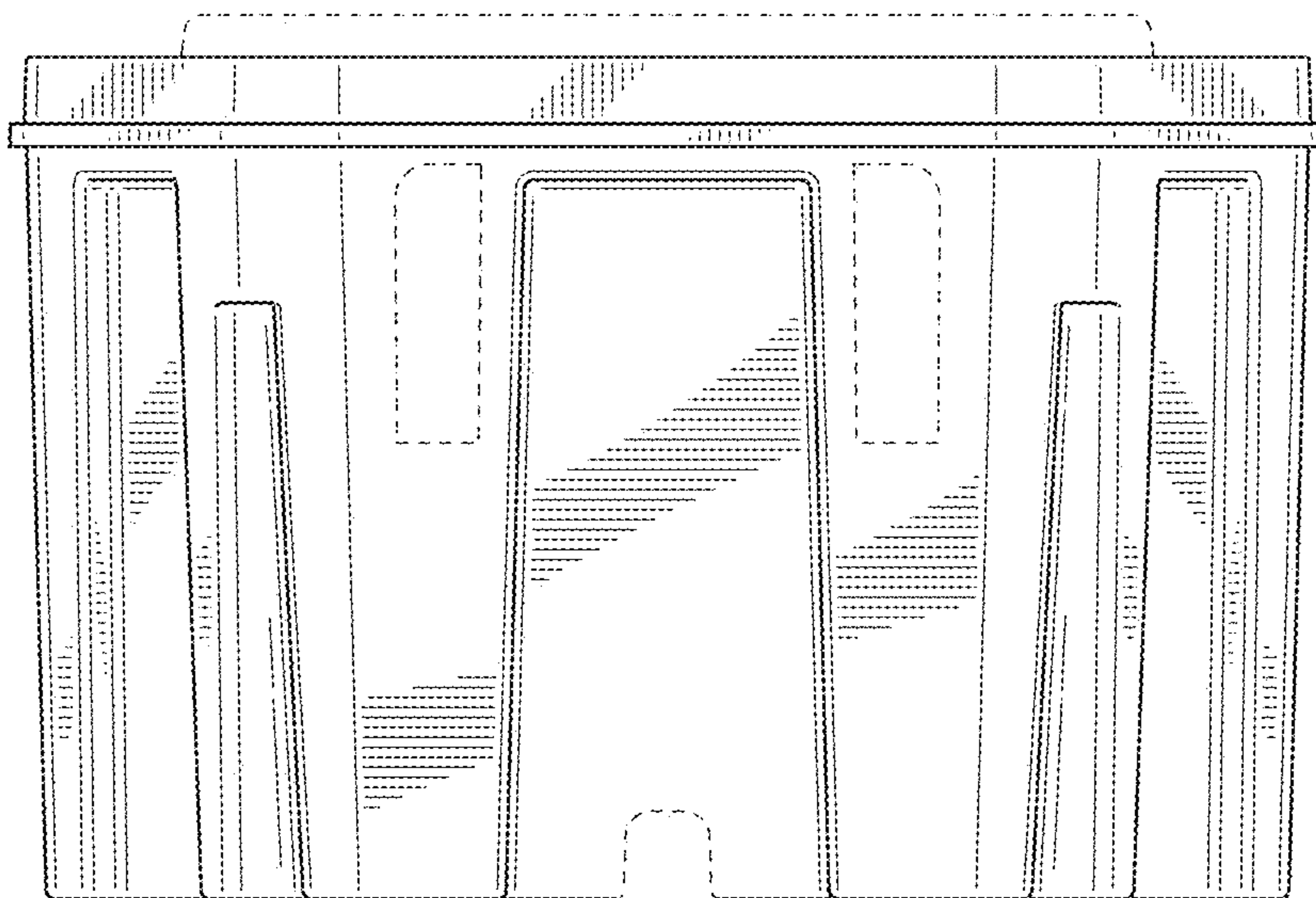


FIG. 6